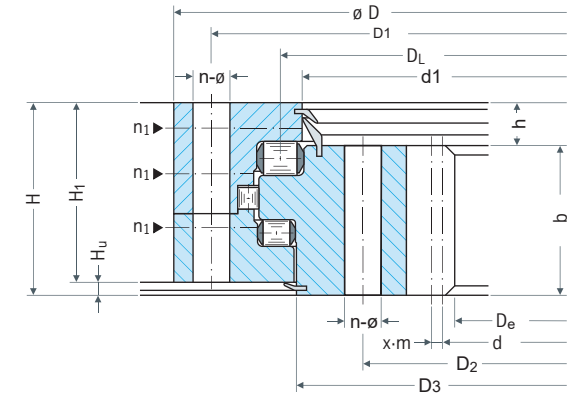
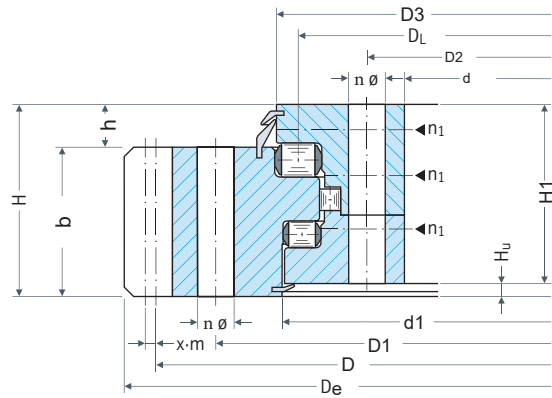
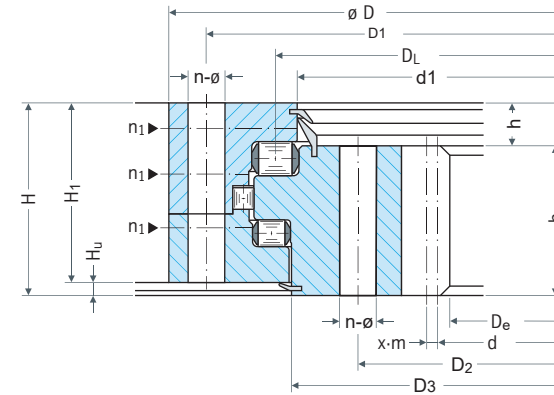
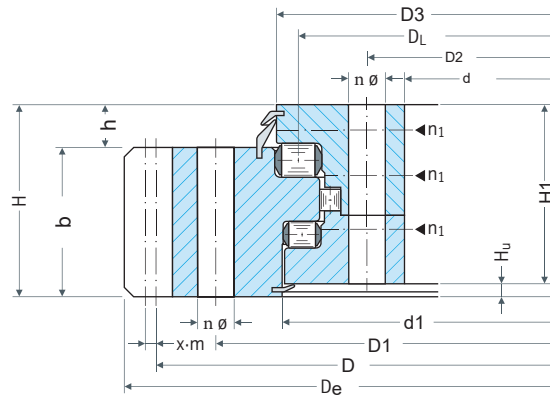


Three Row Roller Slewing Bearing



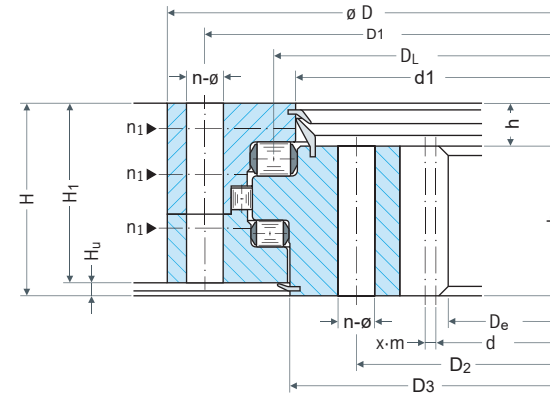
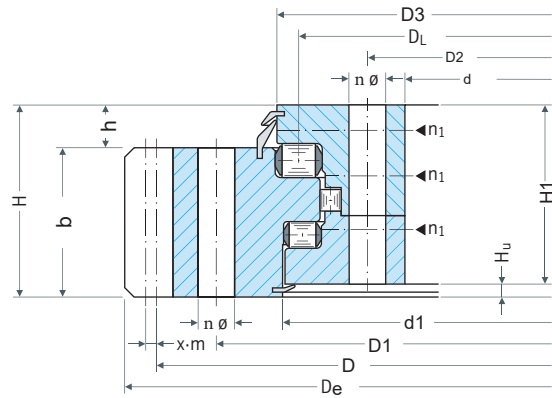
Load Diagram Number	Basic Type			Configuration Size			Mounting Size				Structural Size				Gear Data			Ext Gear		Int Gear		Tangential Tooth Load		Ref Mass kg
	Toothless D L m m	Ext Toothed D L m m	Int Toothed D L m m	D m m	d m m	H m m	D 1 m m	D 2 m m	n	Ø m m	n 1	H 1	h m m	b m m	x	m m m	D e m m	z	D e m m	z	Normalizing 10 ⁴ N	Tempering 10 ⁴ N		
1	130.25.500	131.25.500	133.25.500	634	366	148	598	402	24	18	4	138	32	80		5	664	130	337	68	5	6.7	224	
		132.25.500	134.25.500													6	664.8	108	338.4	57	6	8		
2	130.25.560	131.25.560	133.25.560	694	426	148	658	462	24	18	4	138	32	80		5	724	142	397	80	5	6.7	240	
		132.25.560	134.25.560													6	724.8	118	398.4	67	6	8		
3	130.25.630	131.25.630	133.25.630	764	496	148	728	532	28	18	4	138	32	80		6	808.8	132	458.4	77	6	8	270	
		132.25.630	134.25.630													8	806.4	98	459.2	58	8	11		
4	130.25.710	131.25.710	133.25.710	844	576	148	808	612	28	18	4	138	32	80	+0.5	6	886.8	145	536.4	90	6	8	300	
		132.25.710	134.25.710													8	886.4	108	539.2	68	8	11		
5	130.32.800	131.32.800	133.32.800	964	636	182	920	680	36	22	4	172	40	120	+0.5	8	1006.4	123	595.2	75	12.1	16.7	500	
		132.32.800	134.32.800													10	1008	98	594	60	15.1	20.9		
6	130.32.900	131.32.900	133.32.900	1064	736	182	1020	780	36	22	4	172	40	120	+0.5	8	1102.4	135	691.2	87	12.1	16.7	600	
		132.32.900	134.32.900													10	1108	108	694	70	15.1	20.9		
7	130.32.1000	131.32.1000	133.32.1000	1164	836	182	1120	880	40	22	5	172	40	120	+0.5	10	1218	119	784	79	15.1	20.9	680	
		132.32.1000	134.32.1000													12	1221.6	99	784.8	66	18.1	25.1		
8	130.32.1120	131.32.1120	133.32.1120	1284	956	182	1240	1000	40	22	5	172	40	120	+0.5	10	1338	131	904	91	15.1	20.9	820	
		132.32.1120	134.32.1120													12	1341.6	109	904.8	76	18.1	25.1		

Three Row Roller Slewing Bearing



Load Diagram Number	Basic Type			Configuration Size			Mounting Size				Structural Size				Gear Data		Ext Gear		Int Gear		Tangential Tooth Load		Ref Mass kg
	Toothless D L m m	Ext Toothng D L m m	Int Toothng D L m m	D m m	d m m	H m m	D 1 m m	D 2 m m	n	Ø m m	n 1	H 1	h m m	b m m	x	m m m	D e m m	z	D e m m	z	Normalizing 10 ⁴ N	Tempering 10 ⁴ N	
9	130.40.1250	131.40.1250	133.40.1250	1445	1055	220	1393	1107	45	26	5	210	50	150	+0.5	12	1509.6	123	988.8	83	22.9	31.4	1200
		132.40.1250	134.40.1250														1509.2	105	985.6	71	26.3	36.6	
10	130.40.1400	131.40.1400	133.40.1400	1595	1205	220	1543	1257	45	26	5	210	50	150	+0.5	12	1665.6	136	1144.8	96	22.9	31.4	1300
		132.40.1400	134.40.1400														1663.2	116	1139.6	82	26.3	36.6	
11	130.40.1600	131.40.1600	133.40.1600	1795	1405	220	1743	1457	48	26	6	210	50	150	+0.5	14	1873.2	131	1335.6	96	26.3	36.6	1520
		132.40.1600	134.40.1600														1868.8	114	1334.4	84	30.2	41.7	
12	130.40.1800	131.40.1800	133.40.1800	1995	1605	220	1943	1657	48	26	6	210	50	150	+0.5	14	2069.2	145	1531.6	110	26.3	36.6	1750
		132.40.1800	134.40.1800														2076.8	127	1526.4	96	30.2	41.7	
13	130.45.2000	131.45.2000	133.45.2000	2221	1779	231	2155	1845	60	33	6	219	54	160	+0.5	16	2300.8	141	1702.4	107	32.2	44.5	2400
		132.45.2000	134.45.2000														2300.4	125	1699.2	95	36.2	50.1	
14	130.45.2240	131.45.2240	133.45.2240	2461	2019	231	2395	2085	60	33	6	219	54	160	+0.5	16	2556.8	157	1926.4	121	32.2	44.5	2700
		132.45.2240	134.45.2240														2552.4	139	1933.2	108	36.2	50.1	
15	130.45.2500	131.45.2500	133.45.2500	2721	2279	231	2655	2345	72	33	8	219	54	160	+0.5	18	2822.4	154	2185.2	122	36.2	50.1	3000
		132.45.2500	134.45.2500														2816	138	2188	110	40.2	55.6	
16	130.45.2800	131.45.2800	133.45.2800	3021	2579	231	2955	2645	72	33	8	219	54	160	+0.5	18	3110.4	170	2491.2	139	36.2	50.1	3400
		132.45.2800	134.45.2800														3116	153	2488	125	40.2	55.6	

Three Row Roller Slewing Bearing



Load Diagram Number	Basic Type			Configuration Size			Mounting Size				Structural Size			Gear Data			Ext Gear		Int Gear		Tangential Tooth Load		Ref Mass kg
	Toothless D L m m	Ext Toothling D L m m	Int Toothling D L m m	D m m	d m m	H m m	D 1 m m	D 2 m m	n	Ø m m	n 1	H 1	h m m	b m m	x	m m m	D e m m	z	D e m m	z	Normalizing 10 ⁴ N	Tempering 10 ⁴ N	
17	130.50.3150	131.50.3150	133.50.3150	3432	2868	270	3342	2958	72	45	8	258	65	180	+0.5	20	3536	174	2768	139	45.2	62.6	5000
		132.50.3150	134.50.3150														3537.6	158	2758.8	126	49.8	68.9	
18	130.50.3550	131.50.3550	133.50.3551	3832	3268	270	3742	3358	72	45	8	258	65	180	+0.5	20	3936	194	3168	159	45.2	62.6	5600
		132.50.3550	134.50.3550														3933.6	176	3154.8	144	49.8	68.9	
19	130.50.4000	131.50.4000	133.50.4000	4282	3718	270	4192	3808	80	45	8	258	65	180	+0.5	22	4395.6	197	3616.8	165	49.8	68.9	6400
		132.50.4000	134.50.4000														4395	173	3610	145	56.5	78.3	
20	130.50.4500	131.50.4500	133.50.4500	4782	4218	270	4692	4308	80	45	8	258	65	180	+0.5	22	4901.6	220	4122.8	188	49.8	68.9	7100
		132.50.4500	134.50.4500														4895	193	4110	165	56.5	78.3	
21		131.60.5000		5320	4670	320	5220	4766	100	45	18				0		5440	270					11752