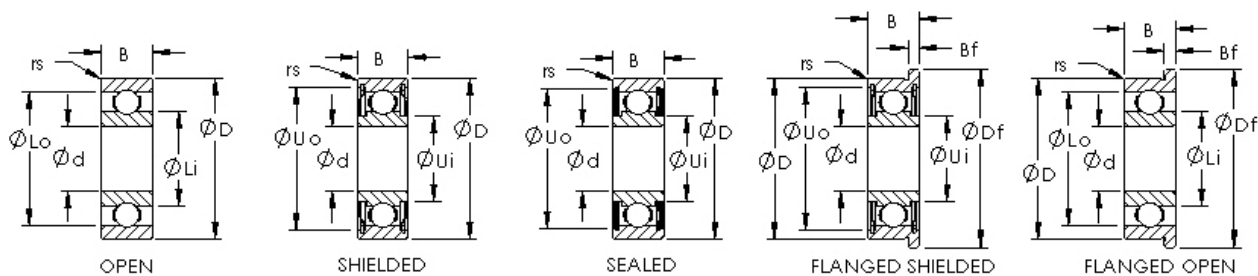
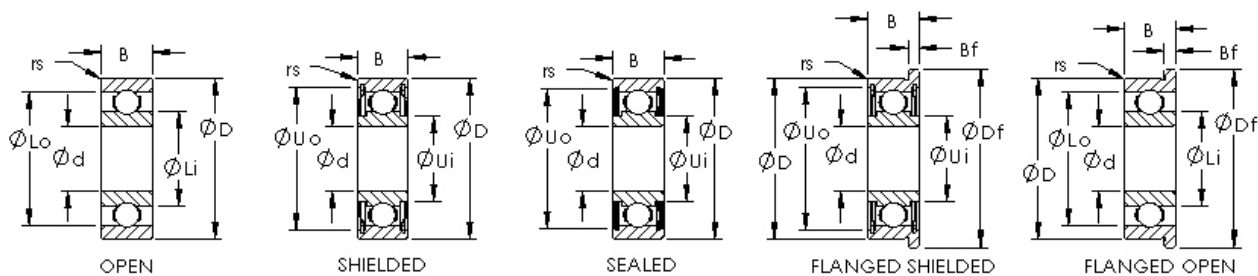


Metric ( 1mm ~ 9mm )



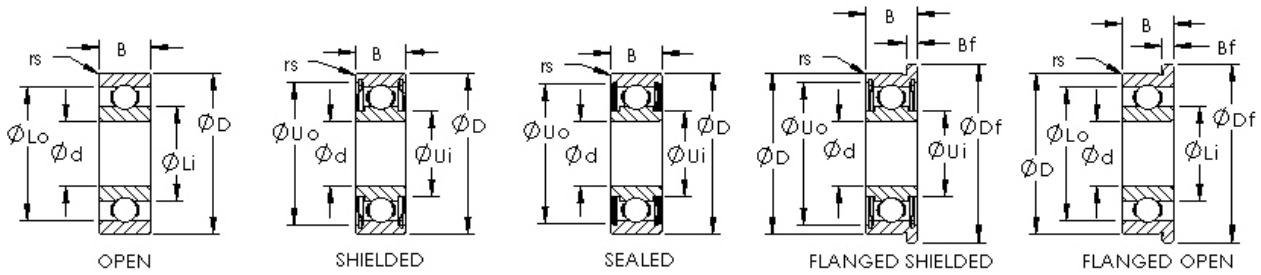
Product Number	Bearing Type	Bore Dia (d)	Outer Dia (D)	Width (B)	Flange Dia (Df)	Flange Width (Bf)	Dynamic Load Rating (Cr) (N)	Static Load Rating (Cor) (N)
68/0.6H	Open	0.6	2.5	1			58	13
681H	Open	1	3	1			82	21
F681H	Flanged Open	1	3	1	3.8	0.3	82	21
SMR31	Open	1	3	1.5			82	21
691H	Open	1	4	1.6			120	30
F691H	Flanged Open	1	4	1.6	5	0.5	120	30
SMF41X	Flanged Open	1.2	4	1.8	4.8	0.4	95	26
SMR41X	Open	1.2	4	1.8			95	26
SMR41XZZ	Shielded	1.2	4	2.5			95	26
681XH	Open	1.5	4	1.2			95	26
F681XH	Flanged Open	1.5	4	1.2	5	0.4	95	26
681XHZZ	Shielded	1.5	4	2			95	26
F681XHZZ	Flange Shielded	1.5	4	2	5	0.6	95	26
691XH	Open	1.5	5	2			144	40
F691XH	Flanged Open	1.5	5	2	6.5	0.6	144	40
691XHZZ	Shielded	1.5	5	2.6			144	40
F691XHZZ	Flange Shielded	1.5	5	2.6	6.5	0.8	144	40
601XH	Open	1.5	6	2.5			281	79
F601XH	Flanged Open	1.5	6	2.5	7.5	0.6	281	79
601XHZZ	Shielded	1.5	6	3			281	79
F601XHZZ	Flange Shielded	1.5	6	3	7.5	0.8	281	79
672H	Open	2	4	1.2			105	32
672HZZ	Shielded	2	4	2			105	32
682H	Open	2	5	1.5			144	40
F682H	Flanged Open	2	5	1.5	6.1	0.5	144	40
SMF52	Flanged Open	2	5	2	6.2	0.6	144	40
SMR52	Open	2	5	2			144	40
682HZZ	Shielded	2	5	2.3			144	40
F682HZZ	Flange Shielded	2	5	2.3	6.1	0.6	144	40
SMF52ZZ	Flange Shielded	2	5	2.5	6.2	0.6	144	40
SMR52ZZ	Shielded	2	5	2.5			144	40
692H	Open	2	6	2.3			281	79
F692H	Flanged Open	2	6	2.3	7.5	0.6	281	79
SMF62	Flanged Open	2	6	2.5	7.2	0.6	281	79
SMR62	Open	2	6	2.5			281	79
SMR62ZZ	Shielded	2	6	2.5			281	79
692H-TT	Sealed	2	6	3			281	79

Metric ( 1mm ~ 9mm )



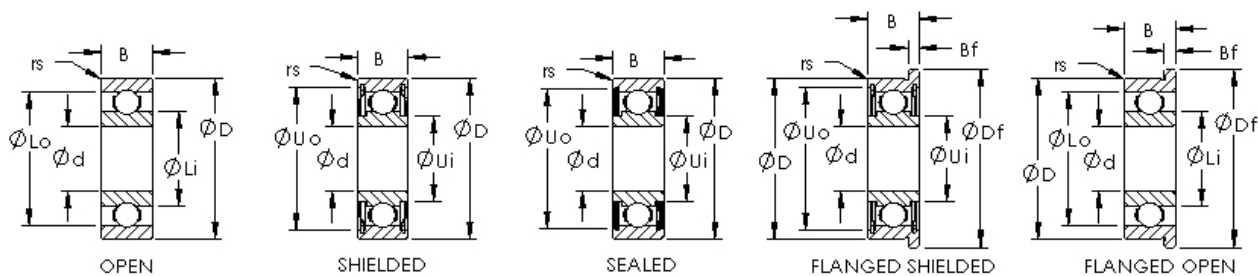
Product Number	Bearing Type	Bore Dia (d)	Outer Dia (D)	Width (B)	Flange Dia (Df)	Flange Width (Bf)	Dynamic Load Rating (Cr) (N)	Static Load Rating (Cor) (N)
692HZZ	Shielded	2	6	3			281	79
F692H-TT	Flange Sealed	2	6	3	7.5	0.8	281	79
F692HZZ	Flange Shielded	2	6	3	7.5	0.8	281	79
SMF72	Flanged Open	2	7	2.5	8.2	0.6	328	103
SMR72	Open	2	7	2.5			328	103
602H	Open	2	7	2.8			328	103
F602H	Flanged Open	2	7	2.8	8.5	0.7	328	103
SMF72-TT	Flange Sealed	2	7	3	8.2	0.6	328	103
SMF72ZZ	Flange Shielded	2	7	3	8.2	0.6	328	103
SMR72-TT	Sealed	2	7	3			328	103
SMR72ZZ	Shielded	2	7	3			328	103
602H-TT	Sealed	2	7	3.5			328	103
602HZZ	Shielded	2	7	3.5			328	103
F602HZZ	Flange Shielded	2	7	3.5	8.5	0.9	328	103
682XH	Open	2.5	6	1.8			178	59
F682XH	Flanged Open	2.5	6	1.8	7.1	0.5	178	59
682XHZZ	Shielded	2.5	6	2.6			178	59
F682XHZZ	Flange Shielded	2.5	6	2.6	7.1	0.8	178	59
692XH	Open	2.5	7	2.5			328	103
F692XH	Flanged Open	2.5	7	2.5	8.5	0.7	328	103
692XH-TT	Sealed	2.5	7	3.5			328	103
692XHZZ	Shielded	2.5	7	3.5			328	103
F692XH-TT	Flange Sealed	2.5	7	3.5	8.5	0.9	328	103
F692XHZZ	Flange Shielded	2.5	7	3.5	8.5	0.9	328	103
SMF82	Flanged Open	2.5	8	2.5	9.2	0.6	474	144
SMR82X	Open	2.5	8	2.5			474	144
602XH	Open	2.5	8	2.8			469	142
F602XH	Flanged Open	2.5	8	2.8	9.5	0.7	469	142
602XHZZ	Shielded	2.5	8	4			469	142
F602XHZZ	Flange Shielded	2.5	8	4	9.5	0.9	469	142
SMF63	Flanged Open	3	6	2	7.2	0.6	178	59
SMR63	Open	3	6	2			178	59
SMF63ZZ	Flange Shielded	3	6	2.5	7.2	0.6	178	59
SMR63ZZ	Shielded	3	6	2.5			178	59
683H	Open	3	7	2			264	90
F683H	Flanged Open	3	7	2	8.1	0.5	264	90
683H-TT	Sealed	3	7	3			264	90

Metric ( 1mm ~ 9mm )



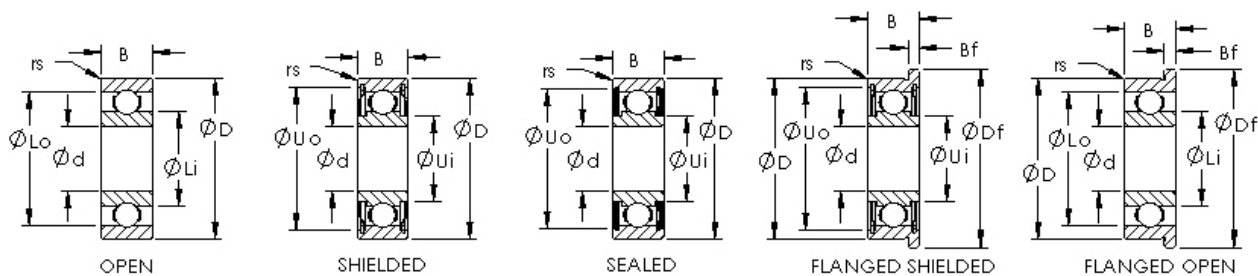
Product Number	Bearing Type	Bore Dia (d)	Outer Dia (D)	Width (B)	Flange Dia (Df)	Flange Width (Bf)	Dynamic Load Rating (Cr) (N)	Static Load Rating (Cor) (N)
683HZZ	Shielded	3	7	3			264	90
F683H-TT	Flange Sealed	3	7	3	8.1	0.8	264	90
F683HZZ	Flange Shielded	3	7	3	8.1	0.8	264	90
SMF83	Flanged Open	3	8	2.5	9.2	0.6	336	113
SMR83	Open	3	8	2.5			336	113
693H	Open	3	8	3			474	144
F693H	Flanged Open	3	8	3	9.5	0.7	474	144
SMR83ZZ	Shielded	3	8	3			336	113
693H-2RS	Sealed	3	8	4			474	144
693HZZ	Shielded	3	8	4			474	144
F693H-2RS	Flange Sealed	3	8	4	9.5	0.9	474	144
F693HZZ	Flange Shielded	3	8	4	9.5	0.9	474	144
SMF93	Flanged Open	3	9	2.5	10.2	0.6	485	151
SMR93	Open	3	9	2.5			485	151
603H	Open	3	9	3			230	151
F603H	Flanged Open	3	9	3	10.5	0.7	230	151
SMF93ZZ	Flange Shielded	3	9	4	10.6	0.8	485	151
SMR93ZZ	Shielded	3	9	4			485	151
603HZZ	Shielded	3	9	5			230	151
F603HZZ	Flange Shielded	3	9	5	10.5	1	230	151
623H	Open	3	10	4			536	175
623H-2RS	Sealed	3	10	4			536	175
623HZZ	Shielded	3	10	4			536	175
F623H	Flanged Open	3	10	4	11.5	1	536	175
F623H-2RS	Flange Sealed	3	10	4	11.5	1	536	175
F623HZZ	Flange Shielded	3	10	4	11.5	1	536	175
633H	Open	3	13	5			1106	390
633H-2RS	Sealed	3	13	5			1106	390
633HZZ	Shielded	3	13	5			1106	390
SMF74	Flanged Open	4	7	2	8.2	0.6	264	92
SMR74	Open	4	7	2			264	92
SMF74ZZ	Flange Shielded	4	7	2.5	8.2	0.6	217	86
SMR74ZZ	Shielded	4	7	2.5			217	86
SMF84	Flanged Open	4	8	2	9.2	0.6	336	113
SMR84	Open	4	8	2			336	113
SMF84ZZ	Flange Shielded	4	8	3	9.2	0.6	336	113
SMR84ZZ	Shielded	4	8	3			336	113

Metric ( 1mm ~ 9mm )



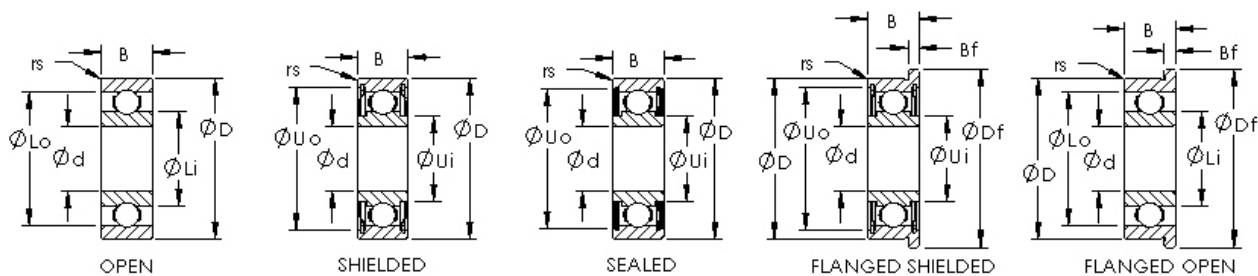
Product Number	Bearing Type	Bore Dia (d)	Outer Dia (D)	Width (B)	Flange Dia (Df)	Flange Width (Bf)	Dynamic Load Rating (Cr) (N)	Static Load Rating (Cor) (N)
684H	Open	4	9	2.5			545	182
F684H	Flanged Open	4	9	2.5	10.3	0.6	545	182
684H-2RS	Sealed	4	9	4			545	182
684HZZ	Shielded	4	9	4			545	182
F684H-2RS	Flange Sealed	4	9	4	10.3	1	545	182
F684HZZ	Flange Shielded	4	9	4	10.3	1	545	182
SMF104	Flanged Open	4	10	3	11.2	0.6	604	218
SMR104	Open	4	10	3			604	218
SMF104-2RS	Flange Sealed	4	10	4	11.6	0.8	604	218
SMF104ZZ	Flange Shielded	4	10	4	11.6	0.8	604	218
SMR104-2RS	Sealed	4	10	4			604	218
SMR104ZZ	Shielded	4	10	4			604	218
694H	Open	4	11	4			814	280
694H-2RS	Sealed	4	11	4			814	280
694HZZ	Shielded	4	11	4			814	280
F694H	Flanged Open	4	11	4	12.5	1	814	280
F694H-2RS	Flange Sealed	4	11	4	12.5	1	814	280
F694HZZ	Flange Shielded	4	11	4	12.5	1	814	280
604H	Open	4	12	4			814	280
604H-2RS	Sealed	4	12	4			814	280
604HZZ	Shielded	4	12	4			814	280
F604H	Flanged Open	4	12	4	13.5	1	814	280
F604H-2RS	Flange Sealed	4	12	5	13.5	1	814	280
F604HZZ	Flange Shielded	4	12	5	13.5	1	814	280
624H	Open	4	13	5			1106	390
624H-2RS	Sealed	4	13	5			1106	390
624HZZ	Shielded	4	13	5			1106	390
F624H	Flanged Open	4	13	5	15	1	1106	390
F624H-2RS	Flange Sealed	4	13	5	15	1	1106	390
F624HZZ	Flange Shielded	4	13	5	15	1	1106	390
634H	Open	4	16	5			1139	418
634H-2RS	Sealed	4	16	5			1139	418
634HZZ	Shielded	4	16	5			1139	418
F634H	Flanged Open	4	16	5	18	1	1139	418
F634H-2RS	Flange Sealed	4	16	5	18	1	1139	418
F634HZZ	Flange Shielded	4	16	5	18	1	1139	418
SMF85	Flanged Open	5	8	2	9.2	0.6	262	96

Metric ( 1mm ~ 9mm )



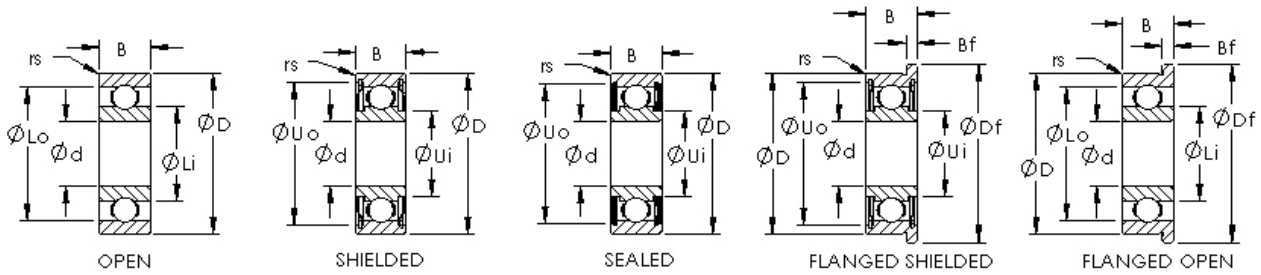
Product Number	Bearing Type	Bore Dia (d)	Outer Dia (D)	Width (B)	Flange Dia (Df)	Flange Width (Bf)	Dynamic Load Rating (Cr) (N)	Static Load Rating (Cor) (N)
SMR85	Open	5	8	2			262	96
SMF85-TT	Flange Sealed	5	8	2.5	9.2	0.6	185	72
SMF85ZZ	Flange Shielded	5	8	2.5	9.2	0.6	185	72
SMR85-TT	Sealed	5	8	2.5			185	72
SMR85ZZ	Shielded	5	8	2.5			185	72
SMF95	Flanged Open	5	9	2.5	10.2	0.6	366	135
SMR95	Open	5	9	2.5			366	135
SMF95-TT	Flange Sealed	5	9	3	10.2	0.6	366	135
SMF95ZZ	Flange Shielded	5	9	3	10.2	0.6	366	135
SMR95-TT	Sealed	5	9	3			366	135
SMR95ZZ	Shielded	5	9	3			366	135
SMF105	Flanged Open	5	10	3	11.2	0.6	366	135
SMR105	Open	5	10	3			366	135
SMF105-2RS	Flange Sealed	5	10	4	11.6	0.8	366	135
SMF105ZZ	Flange Shielded	5	10	4	11.6	0.8	366	135
SMR105-2RS	Sealed	5	10	4			366	135
SMR105ZZ	Shielded	5	10	4			366	135
685H	Open	5	11	3			609	226
F685H	Flanged Open	5	11	3	12.5	0.8	609	226
SMF115-2RS	Flange Sealed	5	11	4	12.6	0.8	609	226
SMF115ZZ	Flange Shielded	5	11	4	12.6	0.8	609	226
SMR115-2RS	Sealed	5	11	4			609	226
SMR115ZZ	Shielded	5	11	4			609	226
685H-2RS	Sealed	5	11	5			609	226
685HZZ	Shielded	5	11	5			609	226
F685H-2RS	Flange Sealed	5	11	5	12.5	1	609	226
F685HZZ	Flange Shielded	5	11	5	12.5	1	609	226
695H	Open	5	13	4			916	346
695H-2RS	Sealed	5	13	4			916	346
695HZZ	Shielded	5	13	4			916	346
F695H	Flanged Open	5	13	4	15	1	916	346
F695H-2RS	Flange Sealed	5	13	4	15	1	916	346
F695HZZ	Flange Shielded	5	13	4	15	1	916	346
605H	Open	5	14	5			1130	406
605H-2RS	Sealed	5	14	5			1130	406
605HZZ	Shielded	5	14	5			1130	406
F605H	Flanged Open	5	14	5	16	1	1130	406

Metric ( 1mm ~ 9mm )



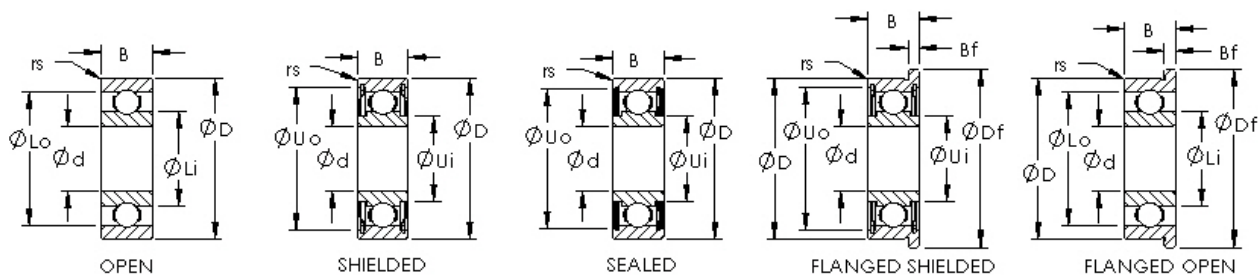
Product Number	Bearing Type	Bore Dia (d)	Outer Dia (D)	Width (B)	Flange Dia (Df)	Flange Width (Bf)	Dynamic Load Rating (Cr) (N)	Static Load Rating (Cor) (N)
F605H-2RS	Flange Sealed	5	14	5	16	1	1130	406
F605HZZ	Flange Shielded	5	14	5	16	1	1130	406
625H	Open	5	16	5			1470	540
625H-2RS	Sealed	5	16	5			1470	540
625HZZ	Shielded	5	16	5			1470	540
F625H	Flanged Open	5	16	5	18	1	1470	540
F625H-2RS	Flange Sealed	5	16	5	18	1	1470	540
F625HZZ	Flange Shielded	5	16	5	18	1	1470	540
635H	Open	5	19	6			1986	717
635H-2RS	Sealed	5	19	6			1986	717
635HZZ	Shielded	5	19	6			1986	717
F635H	Flanged Open	5	19	6	22	1.5	1986	717
F635H-2RS	Flange Sealed	5	19	6	22	1.5	1986	717
F635HZZ	Flange Shielded	5	19	6	22	1.5	1986	717
SMF106	Flanged Open	6	10	2.5	11.2	0.6	422	174
SMR106	Open	6	10	2.5			422	174
SMF106-TT	Flange Sealed	6	10	3	11.2	0.6	422	174
SMF106ZZ	Flange Shielded	6	10	3	11.2	0.6	422	174
SMR106-TT	Sealed	6	10	3			422	174
SMR106ZZ	Shielded	6	10	3			422	174
SMF126	Flanged Open	6	12	3	13.2	0.6	609	236
SMR126	Open	6	12	3			609	236
SMF126-2RS	Flange Sealed	6	12	4	13.6	0.8	609	236
SMF126ZZ	Flange Shielded	6	12	4	13.6	0.8	609	236
SMR126-2RS	Sealed	6	12	4			609	236
SMR126ZZ	Shielded	6	12	4			609	236
686H	Open	6	13	3.5			920	354
F686H	Flanged Open	6	13	3.5	15	1	920	354
686H-2RS	Sealed	6	13	5			920	354
686HZZ	Shielded	6	13	5			920	354
F686H-2RS	Flange Sealed	6	13	5	15	1.1	920	354
F686HZZ	Flange Shielded	6	13	5	15	1.1	920	354
696H	Open	6	15	5			1139	418
696H-2RS	Sealed	6	15	5			1139	418
696HZZ	Shielded	6	15	5			1139	418
F696H	Flanged Open	6	15	5	17	1.2	1139	418
F696H-2RS	Flange Sealed	6	15	5	17	1.2	1139	418

Metric ( 1mm ~ 9mm )



Product Number	Bearing Type	Bore Dia (d)	Outer Dia (D)	Width (B)	Flange Dia (Df)	Flange Width (Bf)	Dynamic Load Rating (Cr) (N)	Static Load Rating (Cor) (N)
F696HZZ	Flange Shielded	6	15	5	17	1.2	1139	418
696AH-2RS	Sealed	6	16	5			1139	418
696AHZZ	Shielded	6	16	5			1139	418
606H	Open	6	17	6			1924	677
606H-2RS	Sealed	6	17	6			1924	677
606HZZ	Shielded	6	17	6			1924	677
F606H	Flanged Open	6	17	6	19	1.2	1924	677
F606H-2RS	Flange Sealed	6	17	6	19	1.2	1924	677
F606HZZ	Flange Shielded	6	17	6	19	1.2	1924	677
626H	Open	6	19	6			1986	717
626H-2RS	Sealed	6	19	6			1986	717
626HZZ	Shielded	6	19	6			1986	717
F626H	Flanged Open	6	19	6	22	1.5	1986	717
F626H-2RS	Flange Sealed	6	19	6	22	1.5	1986	717
F626HZZ	Flange Shielded	6	19	6	22	1.5	1986	717
636H	Open	6	22	7			2833	1138
636H-2RS	Sealed	6	22	7			2833	1138
636HZZ	Shielded	6	22	7			2833	1138
SMF117	Flanged Open	7	11	2.5	12.2	0.6	387	162
SMR117	Open	7	11	2.5			387	162
SMF117-2RS	Flange Sealed	7	11	3	12.2	0.6	387	162
SMF117ZZ	Flange Shielded	7	11	3	12.2	0.6	387	162
SMR117-TT	Sealed	7	11	3			387	162
SMR117ZZ	Shielded	7	11	3			387	162
SMF137	Flanged Open	7	13	3	14.2	0.6	460	221
SMR137	Open	7	13	3			460	221
SMF137-TT	Flange Sealed	7	13	4	14.6	0.8	460	221
SMF137ZZ	Flange Shielded	7	13	4	14.6	0.8	460	221
SMR137-TT	Sealed	7	13	4			460	221
SMR137ZZ	Shielded	7	13	4			460	221
687H	Open	7	14	3.5			997	410
F687H	Flanged Open	7	14	3.5	16	1	997	410
687H-2RS	Sealed	7	14	5			997	410
687HZZ	Shielded	7	14	5			997	410
F687H-2RS	Flange Sealed	7	14	5	16	1.1	997	410
F687HZZ	Flange Shielded	7	14	5	16	1.1	997	410
697H	Open	7	17	5			1364	575

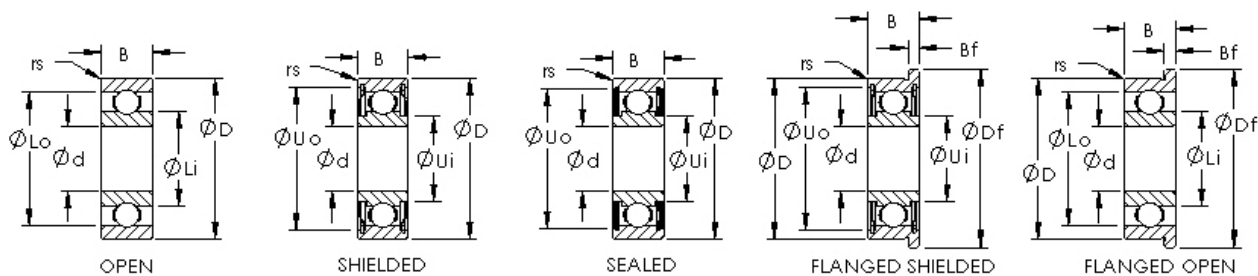
Metric ( 1mm ~ 9mm )



Product Number	Bearing Type	Bore Dia (d)	Outer Dia (D)	Width (B)	Flange Dia (Df)	Flange Width (Bf)	Dynamic Load Rating (Cr) (N)	Static Load Rating (Cor) (N)
697H-2RS	Sealed	7	17	5			1364	575
697HZZ	Shielded	7	17	5			1364	575
F697H	Flanged Open	7	17	5	19	1.2	1364	575
F697H-2RS	Flange Sealed	7	17	5	19	1.2	1364	575
F697HZZ	Flange Shielded	7	17	5	19	1.2	1364	575
607H	Open	7	19	6			1986	717
607H-2RS	Sealed	7	19	6			1986	717
607HZZ	Shielded	7	19	6			1986	717
F607H	Flanged Open	7	19	6	22	1.5	1986	717
F607H-2RS	Flange Sealed	7	19	6	22	1.5	1986	717
F607HZZ	Flange Shielded	7	19	6	22	1.5	1986	717
627H	Open	7	22	7			2794	1103
627H-2RS	Sealed	7	22	7			2794	1103
627HZZ	Shielded	7	22	7			2794	1103
F627H	Flanged Open	7	22	7	25	1.5	2794	1103
F627H-2RS	Flange Sealed	7	22	7	25	1.5	2794	1103
F627HZZ	Flange Shielded	7	22	7	25	1.5	2794	1103
637H	Open	7	26	9			3879	1586
637H-2RS	Sealed	7	26	9			3879	1586
637HZZ	Shielded	7	26	9			3879	1586
SMF128	Flanged Open	8	12	2.5	13.2	0.6	462	219
SMR128	Open	8	12	2.5			462	219
SMF128-2RS	Flange Sealed	8	12	3.5	13.6	0.8	462	219
SMF128ZZ	Flange Shielded	8	12	3.5	13.6	0.8	462	219
SMR128-TT	Sealed	8	12	3.5			462	219
SMR128ZZ	Shielded	8	12	3.5			462	219
SMF148	Flanged Open	8	14	3.5	15.6	0.8	695	309
SMR148	Open	8	14	3.5			695	309
SMF148-TT	Flange Sealed	8	14	4	15.6	0.8	695	309
SMF148ZZ	Flange Shielded	8	14	4	15.6	0.8	695	309
SMR148-2RS	Sealed	8	14	4			695	309
SMR148ZZ	Shielded	8	14	4			695	309
688H	Open	8	16	4			1064	474
F688H	Flanged Open	8	16	4	18	1	1064	474
688H-2RS	Sealed	8	16	5			1064	474
688HZZ	Shielded	8	16	5			1064	474
F688H-2RS	Flange Sealed	8	16	5	18	1.1	1064	474

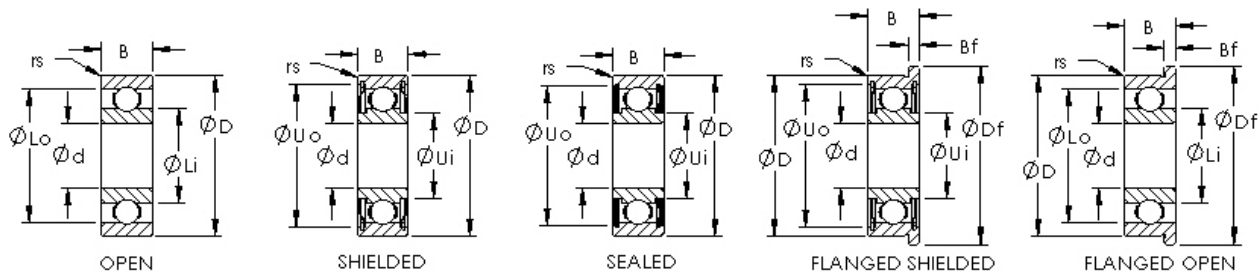


Metric ( 1mm ~ 9mm )



Product Number	Bearing Type	Bore Dia (d)	Outer Dia (D)	Width (B)	Flange Dia (Df)	Flange Width (Bf)	Dynamic Load Rating (Cr) (N)	Static Load Rating (Cor) (N)
F688HZZ	Flange Shielded	8	16	5	18	1.1	1064	474
698H	Open	8	19	6			1902	734
698H-2RS	Sealed	8	19	6			1902	734
698HZZ	Shielded	8	19	6			1902	734
F698H	Flanged Open	8	19	6	22	1.5	1902	734
F698H-TT	Flange Sealed	8	19	6	22	1.5	1902	734
F698HZZ	Flange Shielded	8	19	6	22	1.5	1902	734
608H	Open	8	22	7			2799	1103
608H-2RS	Sealed	8	22	7			2799	1103
608HZZ	Shielded	8	22	7			2799	1103
F608H	Flanged Open	8	22	7	25	1.5	2799	1103
F608H-2RS	Flange Sealed	8	22	7	25	1.5	2799	1103
F608HZZ	Flange Shielded	8	22	7	25	1.5	2799	1103
628H	Open	8	24	8			2833	1138
628H-2RS	Sealed	8	24	8			2833	1138
628HZZ	Shielded	8	24	8			2833	1138
638H	Open	8	28	9			3879	1586
638H-2RS	Sealed	8	28	9			3879	1586
638HZZ	Shielded	8	28	9			3879	1586
679H	Open	9	14	3			781	374
F679H	Flanged Open	9	14	3	15.5	0.8	781	374
679H-2RS	Sealed	9	14	4.5			781	374
679HZZ	Shielded	9	14	4.5			781	374
F679H-2RS	Flange Sealed	9	14	4.5	15.5	0.8	781	374
F679HZZ	Flange Shielded	9	14	4.5	15.5	0.8	781	374
689H	Open	9	17	4			1128	534
F689H	Flanged Open	9	17	4	19	1	1128	534
689H-2RS	Sealed	9	17	5			1128	534
689HZZ	Shielded	9	17	5			1128	534
F689H-2RS	Flange Sealed	9	17	5	19	1.1	1128	534
F689HZZ	Flange Shielded	9	17	5	19	1.1	1128	534
699H	Open	9	20	6			2097	865
699H-2RS	Sealed	9	20	6			2097	865
699HZZ	Shielded	9	20	6			2097	865
F699H	Flanged Open	9	20	6	23	1.5	2097	865
F699H-2RS	Flange Sealed	9	20	6	23	1.5	2097	865
F699HZZ	Flange Shielded	9	20	6	23	1.5	2097	865

Metric ( 1mm ~ 9mm )



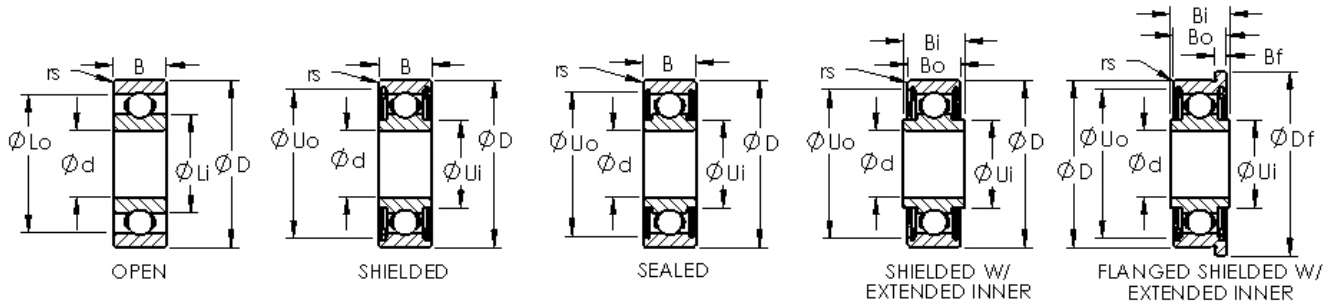
Product Number	Bearing Type	Bore Dia (d)	Outer Dia (D)	Width (B)	Flange Dia (Df)	Flange Width (Bf)	Dynamic Load Rating (Cr) (N)	Static Load Rating (Cor) (N)
609H	Open	9	24	7			2853	1155
609H-2RS	Sealed	9	24	7			2853	1155
609HZZ	Shielded	9	24	7			2853	1155
F609H	Flanged Open	9	24	7	27	1.5	2853	1155
F609H-2RS	Flange Sealed	9	24	7	27	1.5	2853	1155
F609HZZ	Flange Shielded	9	24	7	27	1.5	2853	1155
629H	Open	9	26	8			3879	1586
629H-2RS	Sealed	9	26	8			3879	1586
629HZZ	Shielded	9	26	8			3879	1586
639H	Open	9	30	10			3960	1664
639H-2RS	Sealed	9	30	10			3960	1664
639HZZ	Shielded	9	30	10			3960	1664

# Miniature stainless steel ball bearings



Inch ( bore 0.04" - 0.5 ")

AISI 440C Ring and ball, AISI304 Cage, AISI304 shields or NBR seals , kyodo SB-M,SRL grease



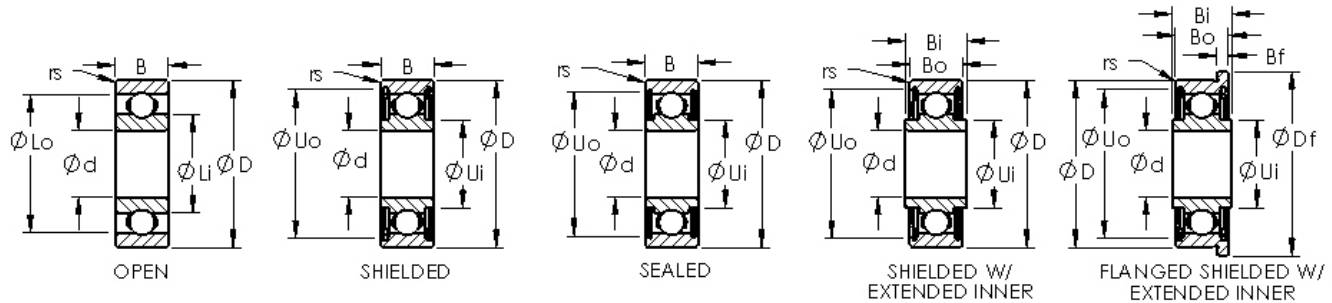
Product Number	Bearing Type	Bore Dia (d)	Outer Dia (D)	Width (B)	Outer Width (Bo)	Inner Width (Bi)	Flange Dia (Df)	Flange Width (Bf)
SR09	Open	0.04	0.125	0.0469				
SFR0	Flanged Open	0.0469	0.1562	0.0625			0.203	0.013
SFR0ZZ	Flanged Shielded	0.0469	0.1562	0.0937			0.203	0.031
SFRW0ZZ	Flanged Shielded with Extended Inner	0.0469	0.1562		0.0937	0.1249	0.203	0.031
SFRW0	Flanged Open with Extended Inner	0.0469	0.1562		0.0625	0.0937	0.203	0.013
SR0	Open	0.0469	0.1562	0.0625				
SR0ZZ	Shielded	0.0469	0.1562	0.0937				
SRW0ZZ	Shielded with Extended Inner	0.0469	0.1562		0.0937	0.1249		
SRW0	Open with Extended Inner	0.0469	0.1562		0.0625	0.0937		
SFR1	Flanged Open	0.055	0.1875	0.0781			0.234	0.023
SFR1ZZ	Flanged Shielded	0.055	0.1875	0.1094			0.234	0.031
SFRW1	Flanged Open with Extended Inner	0.055	0.1875		0.0781	0.1093	0.234	0.023
SFRW1ZZ	Flanged Shielded with Extended Inner	0.055	0.1875		0.1094	0.1406	0.234	0.031
SR1	Open	0.055	0.1875	0.0781				
SR1ZZ	Shielded	0.055	0.1875	0.1094				
SRW1	Open with Extended Inner	0.055	0.1875		0.0781	0.1093		
SRW1ZZ	Shielded with Extended Inner	0.055	0.1875		0.1094	0.1406		
SFR1-4	Flanged Open	0.0781	0.25	0.0937			0.296	0.023
SFR1-4-TT	Flanged Sealed	0.0781	0.25	0.1406			0.296	0.031
SFR1-4ZZ	Flanged Shielded	0.0781	0.25	0.1406			0.296	0.031
SFRW1-4	Flanged Open with Extended Inner	0.0781	0.25		0.0937	0.1249	0.296	0.023
SFRW1-4-TT	Flanged Sealed with Extended Inner	0.0781	0.25		0.1406	0.1718	0.296	0.031
SFRW1-4ZZ	Flanged Shielded with Extended Inner	0.0781	0.25		0.1406	0.1718	0.296	0.031
SR1-4	Open	0.0781	0.25	0.0937				
SR1-4-TT	Sealed	0.0781	0.25	0.1406				
SR1-4ZZ	Shielded	0.0781	0.25	0.1406				
SRW1-4	Open with Extended Inner	0.0781	0.25		0.0937	0.1249		
SRW1-4-TT	Sealed with Extended Inner	0.0781	0.25		0.1406	0.1718		
SRW1-4ZZ	Shielded with Extended Inner	0.0781	0.25		0.1406	0.1718		
SFR1-5	Flanged Open	0.0937	0.3125	0.1094			0.359	0.023
SFR1-5-TT	Flanged Sealed	0.0937	0.3125	0.1406			0.359	0.031
SFR1-5ZZ	Flanged Shielded	0.0937	0.3125	0.1406			0.359	0.031
SFR133	Flanged Open	0.0937	0.1875	0.0625			0.234	0.018
SFR133ZZ	Flanged Shielded	0.0937	0.1875	0.0937			0.234	0.031

# Miniature stainless steel ball bearings



Inch ( bore 0.04" - 0.5 ")

AISI 440C Ring and ball, AISI304 Cage, AISI304 shields or NBR seals , kyodo SB-M,SRL grease



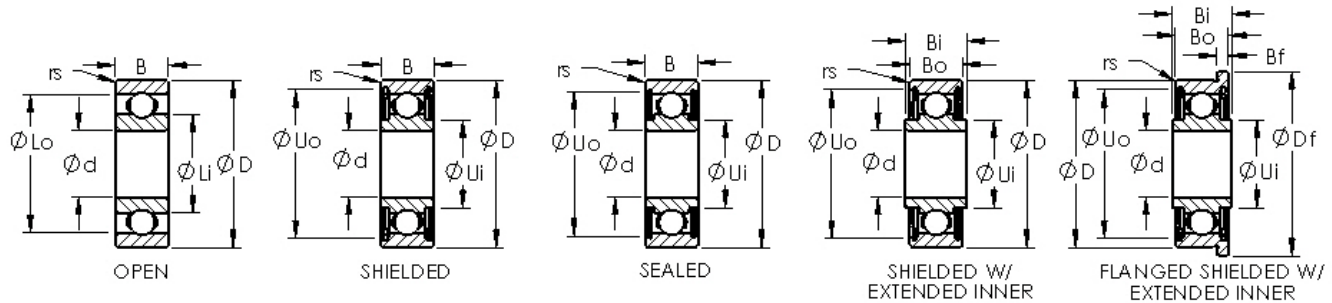
Product Number	Bearing Type	Bore Dia (d)	Outer Dia (D)	Width (B)	Outer Width (Bo)	Inner Width (Bi)	Flange Dia (Df)	Flange Width (Bf)
SFRW1-5	Flanged Open with Extended Inner	0.0937	0.3125		0.1094	0.1406	0.359	0.023
SFRW1-5-TT	Flanged Sealed with Extended Inner	0.0937	0.3125		0.1406	0.1718	0.359	0.031
SFRW1-5ZZ	Flanged Shielded with Extended Inner	0.0937	0.3125		0.1406	0.1718	0.359	0.031
SFRW133ZZ	Flanged Shielded with Extended Inner	0.0937	0.1875		0.0937	0.1249	0.234	0.031
SR1-5	Open	0.0937	0.3125	0.1094				
SR1-5-TT	Sealed	0.0937	0.3125	0.1406				
SR1-5ZZ	Shielded	0.0937	0.3125	0.1406				
SR133	Open	0.0937	0.1875	0.0625				
SR133ZZ	Shielded	0.0937	0.1875	0.0937				
SRW1-5	Open with Extended Inner	0.0937	0.3125		0.1094	0.1406		
SRW1-5-TT	Sealed with Extended Inner	0.0937	0.3125		0.1406	0.1718		
SRW1-5ZZ	Shielded with Extended Inner	0.0937	0.3125		0.1406	0.1718		
SRW133ZZ	Shielded with Extended Inner	0.0937	0.1875		0.0937	0.1249		
SFR144	Flanged Open	0.125	0.25	0.0937			0.296	0.023
SFR144-TT	Flanged Sealed	0.125	0.25	0.1094			0.296	0.031
SFR144ZZ	Flanged Shielded	0.125	0.25	0.1094			0.296	0.031
SFR2	Flanged Open	0.125	0.375	0.1562			0.44	0.03
SFR2-2RS	Flanged Sealed	0.125	0.375	0.1562			0.44	0.03
SFR2-5	Flanged Open	0.125	0.3125	0.1094			0.359	0.023
SFR2-5-TT	Flanged Sealed	0.125	0.3125	0.1406			0.359	0.031
SFR2-5ZZ	Flanged Shielded	0.125	0.3125	0.1406			0.359	0.031
SFR2-6	Flanged Open	0.125	0.375	0.1094			0.422	0.023
SFR2-6-2RS	Flanged Sealed	0.125	0.375	0.1406			0.422	0.031
SFR2-6ZZ	Flanged Shielded	0.125	0.375	0.1406			0.422	0.031
SFR2ZZ	Flanged Shielded	0.125	0.375	0.1562			0.44	0.03
SFRW144	Flanged Open with Extended Inner	0.125	0.25		0.0937	0.1249	0.296	0.023
SFRW144-TT	Flanged Sealed with Extended Inner	0.125	0.25		0.1094	0.1406	0.296	0.031
SFRW144ZZ	Flanged Shielded with Extended Inner	0.125	0.25		0.1094	0.1406	0.296	0.031
SFRW2	Flanged Open with Extended Inner	0.125	0.375		0.1562	0.1874	0.44	0.03
SFRW2-5	Flanged Open with Extended Inner	0.125	0.3125		0.1094	0.1406	0.359	0.023
SFRW2-5-TT	Flanged Sealed with Extended Inner	0.125	0.3125		0.1406	0.1718	0.359	0.031
SFRW2-5ZZ	Flanged Shielded with Extended Inner	0.125	0.3125		0.1406	0.1718	0.359	0.031
SFRW2-6	Flanged Open with Extended Inner	0.125	0.375		0.1094	0.1406	0.422	0.023
SFRW2-6-2RS	Flanged Sealed with Extended Inner	0.125	0.375		0.1406	0.1718	0.422	0.031

# Miniature stainless steel ball bearings



Inch ( bore 0.04" - 0.5 ")

AISI 440C Ring and ball, AISI304 Cage, AISI304 shields or NBR seals , kyodo SB-M,SRL grease



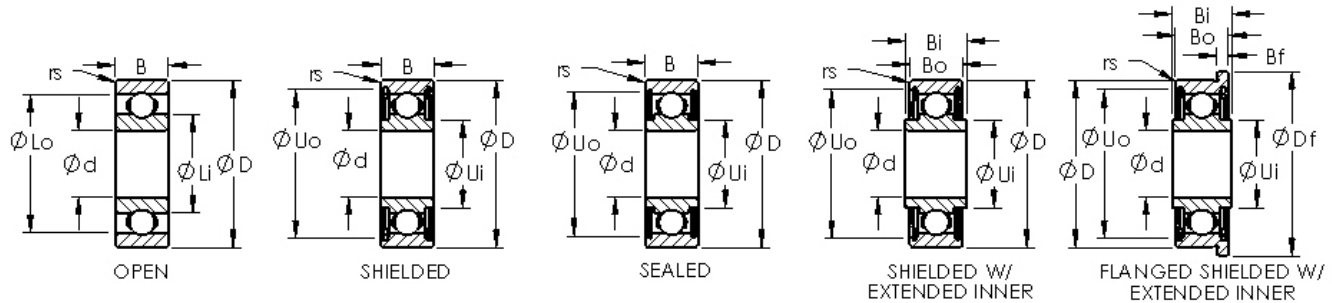
Product Number	Bearing Type	Bore Dia (d)	Outer Dia (D)	Width (B)	Outer Width (Bo)	Inner Width (Bi)	Flange Dia (Df)	Flange Width (Bf)
SFRW2-6ZZ	Flanged Shielded with Extended Inner	0.125	0.375		0.1406	0.1718	0.422	0.031
SFRW2-TT	Flanged Sealed with Extended Inner	0.125	0.375		0.1562	0.1874	0.44	0.03
SFRW2ZZ	Flanged Shielded with Extended Inner	0.125	0.375		0.1562	0.1874	0.44	0.03
SR144	Open	0.125	0.25	0.0937				
SR144-TT	Sealed	0.125	0.25	0.1094				
SR144Y02	Open	0.125	0.25	0.0625				
SR144ZA62	Shielded	0.125	0.425	0.0937				
SR144ZA63	Shielded	0.125	0.46	0.0937				
SR144ZA72	Shielded	0.125	0.41	0.0937				
SR144ZZ	Shielded	0.125	0.25	0.1094				
SR144ZZA0204	Shielded	0.125	0.375	0.0937				
SR144ZZY04	Shielded	0.125	0.25	0.0937				
SR2	Open	0.125	0.375	0.1562				
SR2-2RS	Sealed	0.125	0.375	0.1562				
SR2-5	Open	0.125	0.3125	0.1094				
SR2-5-TT	Sealed	0.125	0.3125	0.1406				
SR2-5ZZ	Shielded	0.125	0.3125	0.1406				
SR2-5ZZA0305	Shielded	0.125	0.5	0.1094				
SR2-5ZZY05	Shielded	0.125	0.3125	0.1094				
SR2-6	Open	0.125	0.375	0.1094				
SR2-6-2RS	Sealed	0.125	0.375	0.1406				
SR2-6ZZ	Shielded	0.125	0.375	0.1406				
SR2-6ZZY05	Shielded	0.125	0.375	0.1094				
SR2A	Open	0.125	0.5	0.1719				
SR2AZZ	Shielded	0.125	0.5	0.1719				
SR2ZZ	Shielded	0.125	0.375	0.1562				
SRW144	Open with Extended Inner	0.125	0.25		0.0937	0.1249		
SRW144-TT	Sealed with Extended Inner	0.125	0.25		0.1094	0.1406		
SRW144ZZ	Shielded with Extended Inner	0.125	0.25		0.1094	0.1406		
SRW2	Open with Extended Inner	0.125	0.375		0.1562	0.1874		
SRW2-2RS	Sealed with Extended Inner	0.125	0.375		0.1562	0.1874		
SRW2-5	Open with Extended Inner	0.125	0.3125		0.1094	0.1406		
SRW2-5-TT	Sealed with Extended Inner	0.125	0.3125		0.1406	0.1718		
SRW2-5ZZ	Shielded with Extended Inner	0.125	0.3125		0.1406	0.1718		

# Miniature stainless steel ball bearings



Inch ( bore 0.04" - 0.5 ")

AISI 440C Ring and ball, AISI304 Cage, AISI304 shields or NBR seals , kyodo SB-M,SRL grease



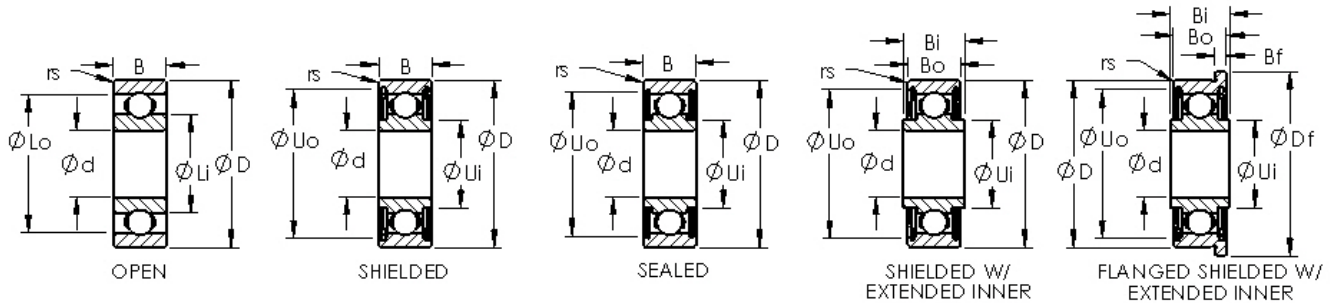
Product Number	Bearing Type	Bore Dia (d)	Outer Dia (D)	Width (B)	Outer Width (Bo)	Inner Width (Bi)	Flange Dia (Df)	Flange Width (Bf)
SRW2-6	Open with Extended Inner	0.125	0.375		0.1094	0.1406		
SRW2-6-2RS	Sealed with Extended Inner	0.125	0.375		0.1406	0.1718		
SRW2-6ZZ	Shielded with Extended Inner	0.125	0.375		0.1406	0.1718		
SRW2ZZ	Shielded with Extended Inner	0.125	0.375		0.1562	0.1874		
SFR155	Flanged Open	0.1562	0.3125	0.1094			0.359	0.023
SFR155ZZ	Flanged Shielded	0.1562	0.3125	0.125			0.359	0.036
SFRW155	Flanged Open with Extended Inner	0.1562	0.3125		0.1094	0.1406	0.359	0.023
SFRW155ZZ	Flanged Shielded with Extended Inner	0.1562	0.3125		0.125	0.1562	0.359	0.036
SR155	Open	0.1562	0.3125	0.1094				
SR155ZZ	Shielded	0.1562	0.3125	0.125				
SRW155	Open with Extended Inner	0.1562	0.3125		0.1094	0.1406		
SRW155ZZ	Shielded with Extended Inner	0.1562	0.3125		0.125	0.1562		
SFR156	Flanged Open	0.1875	0.3125	0.1094			0.359	0.023
SFR156-TT	Flanged Sealed	0.1875	0.3125	0.125			0.359	0.036
SFR156ZZ	Flanged Shielded	0.1875	0.3125	0.125			0.359	0.036
SFR166	Flanged Open	0.1875	0.375	0.125			0.422	0.023
SFR166-TT	Flanged Sealed	0.1875	0.375	0.125			0.422	0.031
SFR166ZZ	Flanged Shielded	0.1875	0.375	0.125			0.422	0.031
SFR3	Flanged Open	0.1875	0.5	0.196			0.565	0.042
SFR3-2RS	Flanged Sealed	0.1875	0.5	0.196			0.565	0.042
SFR3ZZ	Flanged Shielded	0.1875	0.5	0.196			0.565	0.042
SFRW156	Flanged Open with Extended Inner	0.1875	0.3125		0.1094	0.1406	0.359	0.023
SFRW156-TT	Flanged Sealed with Extended Inner	0.1875	0.3125		0.125	0.1562	0.359	0.036
SFRW156ZZ	Flanged Shielded with Extended Inner	0.1875	0.3125		0.125	0.1562	0.359	0.036
SFRW166	Flanged Open with Extended Inner	0.1875	0.375		0.125	0.1562	0.422	0.023
SFRW166-TT	Flanged Sealed with Extended Inner	0.1875	0.375		0.125	0.1562	0.422	0.031
SFRW166ZZ	Flanged Shielded with Extended Inner	0.1875	0.375		0.125	0.1562	0.422	0.031
SFRW3	Flanged Open with Extended Inner	0.1875	0.5		0.196	0.2272	0.565	0.042
SFRW3-TT	Flanged Sealed with Extended Inner	0.1875	0.5		0.196	0.2272	0.565	0.042
SFRW3ZZ	Flanged Shielded with Extended Inner	0.1875	0.5		0.196	0.2272	0.565	0.042
SR156	Open	0.1875	0.3125	0.1094				
SR156-TT	Sealed	0.1875	0.3125	0.125				
SR156ZZ	Shielded	0.1875	0.3125	0.125				
SR156ZZA03	Shielded	0.1875	0.5	0.125				

# Miniature stainless steel ball bearings



Inch ( bore 0.04" - 0.5 ")

AISI 440C Ring and ball, AISI304 Cage, AISI304 shields or NBR seals , kyodo SB-M,SRL grease



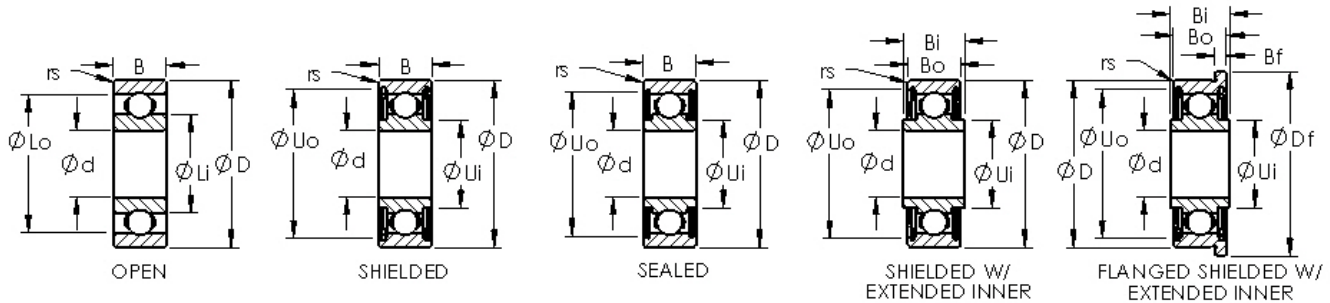
Product Number	Bearing Type	Bore Dia (d)	Outer Dia (D)	Width (B)	Outer Width (Bo)	Inner Width (Bi)	Flange Dia (Df)	Flange Width (Bf)
SR156ZZY05	Shielded	0.1875	0.3125	0.1094				
SR166	Open	0.1875	0.375	0.125				
SR166-TT	Sealed	0.1875	0.375	0.125				
SR166XZY05	Shielded	0.1875	0.375	0.1094				
SR166ZA0205	Shielded	0.1875	0.5	0.1094				
SR166ZZ	Shielded	0.1875	0.375	0.125				
SR166ZZA0208	Shielded	0.1875	0.5	0.1562				
SR3	Open	0.1875	0.5	0.1562				
SR3-2RS	Sealed	0.1875	0.5	0.196				
SR3A-2RS	Sealed	0.1875	0.625	0.196				
SR3AZZ	Shielded	0.1875	0.625	0.196				
SR3ZZ	Shielded	0.1875	0.5	0.1562				
SRW156	Open with Extended Inner	0.1875	0.3125		0.1094	0.1406		
SRW156-TT	Sealed with Extended Inner	0.1875	0.3125		0.125	0.1562		
SRW156ZZ	Shielded with Extended Inner	0.1875	0.3125		0.125	0.1562		
SRW166	Open with Extended Inner	0.1875	0.375		0.125	0.1562		
SRW166-TT	Sealed with Extended Inner	0.1875	0.375		0.125	0.1562		
SRW166ZZ	Shielded with Extended Inner	0.1875	0.375		0.125	0.1562		
SRW3	Open with Extended Inner	0.1875	0.5		0.1562	0.1874		
SRW3-2RS	Sealed with Extended Inner	0.1875	0.5		0.196	0.2272		
SRW3ZZ	Shielded with Extended Inner	0.1875	0.5		0.196	0.2272		
SFR168	Flanged Open	0.25	0.375	0.125			0.422	0.023
SFR168-TT	Flanged Sealed	0.25	0.375	0.125			0.422	0.036
SFR168ZZ	Flanged Shielded	0.25	0.375	0.125			0.422	0.036
SFR188	Flanged Open	0.25	0.5	0.125			0.547	0.023
SFR188-2RS	Flanged Sealed	0.25	0.5	0.1875			0.547	0.045
SFR188ZZ	Flanged Shielded	0.25	0.5	0.1875			0.547	0.045
SFR4	Flanged Open	0.25	0.625	0.196			0.69	0.042
SFR4-2RS	Flanged Sealed	0.25	0.625	0.196			0.69	0.042
SFR4ZZ	Flanged Shielded	0.25	0.625	0.196			0.69	0.042
SFRW168	Flanged Open with Extended Inner	0.25	0.375		0.125	0.1562	0.422	0.023
SFRW168-TT	Flanged Sealed with Extended Inner	0.25	0.375		0.125	0.1562	0.422	0.036
SFRW168ZZ	Flanged Shielded with Extended Inner	0.25	0.375		0.125	0.1562	0.422	0.036
SFRW188	Flanged Open with Extended Inner	0.25	0.5		0.125	0.1562	0.547	0.023

# Miniature stainless steel ball bearings



Inch ( bore 0.04" - 0.5 ")

AISI 440C Ring and ball, AISI304 Cage, AISI304 shields or NBR seals , kyodo SB-M,SRL grease



Product Number	Bearing Type	Bore Dia (d)	Outer Dia (D)	Width (B)	Outer Width (Bo)	Inner Width (Bi)	Flange Dia (Df)	Flange Width (Bf)
SFRW188-2RS	Flanged Sealed with Extended Inner	0.25	0.5		0.1875	0.2187	0.547	0.045
SFRW188ZZ	Flanged Shielded with Extended Inner	0.25	0.5		0.1875	0.2187	0.547	0.045
SFRW4	Flanged Open with Extended Inner	0.25	0.625		0.196	0.2272	0.69	0.042
SFRW4-TT	Flanged Sealed with Extended Inner	0.25	0.625		0.196	0.2272	0.69	0.042
SFRW4ZZ	Flanged Shielded with Extended Inner	0.25	0.625		0.196	0.2272	0.69	0.042
SR168	Open	0.25	0.375	0.125				
SR168-TT	Sealed	0.25	0.375	0.125				
SR168ZZ	Shielded	0.25	0.375	0.125				
SR188	Open	0.25	0.5	0.125				
SR188-2RS	Sealed	0.25	0.5	0.1875				
SR188XZZ	Shielded	0.25	0.5	0.1875				
SR188ZZ	Shielded	0.25	0.5	0.1875				
SR4	Open	0.25	0.625	0.196				
SR4-2RS	Sealed	0.25	0.625	0.196				
SR4A	Open	0.25	0.75	0.2188				
SR4A-2RS	Sealed	0.25	0.75	0.2812				
SR4AZZ	Shielded	0.25	0.75	0.2812				
SR4ZZ	Shielded	0.25	0.625	0.196				
SR4ZZA01	Shielded	0.25	0.75	0.196				
SRW168	Open with Extended Inner	0.25	0.375		0.125	0.1562		
SRW168-TT	Sealed with Extended Inner	0.25	0.375		0.125	0.1562		
SRW168ZZ	Shielded with Extended Inner	0.25	0.375		0.125	0.1562		
SRW188	Open with Extended Inner	0.25	0.5		0.125	0.1562		
SRW188-2RS	Sealed with Extended Inner	0.25	0.5		0.1875	0.2187		
SRW188ZZ	Shielded with Extended Inner	0.25	0.5		0.1875	0.2187		
SRW4	Open with Extended Inner	0.25	0.625		0.196	0.2272		
SRW4-2RS	Sealed with Extended Inner	0.25	0.625		0.196	0.2272		
SRW4ZZ	Shielded with Extended Inner	0.25	0.625		0.196	0.2272		
SFR1810	Flanged Open	0.3125	0.5	0.1562			0.547	0.031
SFR1810-TT	Flanged Sealed	0.3125	0.5	0.1562			0.547	0.013
SFR1810ZZ	Flanged Shielded	0.3125	0.5	0.1562			0.547	0.013
SFRW1810-TT	Flanged Sealed with Extended Inner	0.3125	0.5		0.1562	0.1874	0.547	0.013
SFRW1810ZZ	Flanged Shielded with Extended Inner	0.3125	0.5		0.1562	0.1874	0.547	0.013
SR1810	Open	0.3125	0.5	0.1562				

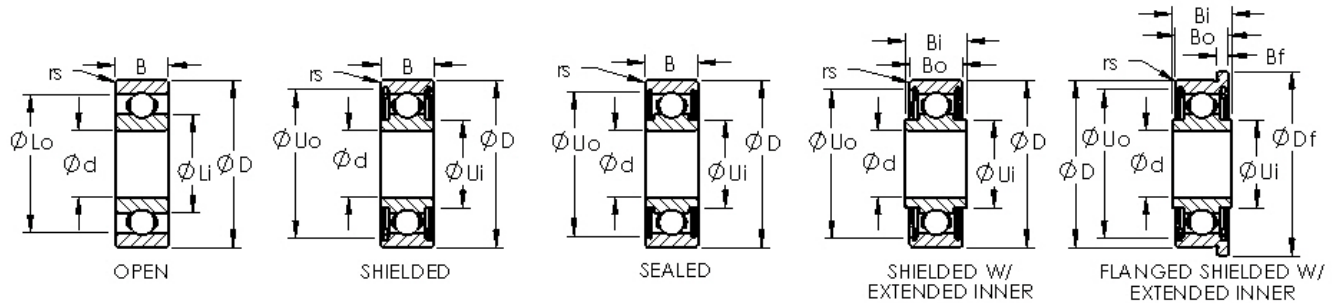


# Miniature stainless steel ball bearings



Inch ( bore 0.04" - 0.5 ")

AISI 440C Ring and ball, AISI304 Cage, AISI304 shields or NBR seals , kyodo SB-M,SRL grease



Product Number	Bearing Type	Bore Dia (d)	Outer Dia (D)	Width (B)	Outer Width (Bo)	Inner Width (Bi)	Flange Dia (Df)	Flange Width (Bf)
SR1810-TT	Sealed	0.3125	0.5	0.1562				
SR1810ZZ	Shielded	0.3125	0.5	0.1562				
SR1810ZZA02	Shielded	0.3125	0.625	0.1562				
SRW1810	Open with Extended Inner	0.3125	0.5		0.1562	0.1874		
SRW1810-TT	Sealed with Extended Inner	0.3125	0.5		0.1562	0.1874		
SFR6	Flanged Open	0.375	0.875	0.2188			0.965	0.062
SFR6-2RS	Flanged Sealed	0.375	0.875	0.2812			0.965	0.062
SFR6ZZ	Flanged Shielded	0.375	0.875	0.2812			0.965	0.062
SFRW6	Flanged Open with Extended Inner	0.375	0.875		0.2188	0.25	0.965	0.062
SFRW6-2RS	Flanged Sealed with Extended Inner	0.375	0.875		0.2812	0.3124	0.965	0.062
SFRW6ZZ	Flanged Shielded with Extended Inner	0.375	0.875		0.2812	0.3124	0.965	0.062
SR6	Open	0.375	0.875	0.2188				
SR6-2RS	Sealed	0.375	0.875	0.2812				
SR6ZZ	Shielded	0.375	0.875	0.2812				
SFR8	Flanged Open	0.5	1.125	0.25			1.2252	0.062
SFR8-2RS	Flanged Sealed	0.5	1.125	0.3125			1.2252	0.062
SFR8ZZ	Flanged Shielded	0.5	1.125	0.3125			1.2252	0.062
SFRW8	Flanged Open with Extended Inner	0.5	1.125		0.25	0.2812	1.2252	0.062
SFRW8-2RS	Flanged Sealed with Extended Inner	0.5	1.125		0.3125	0.3437	1.2252	0.062
SFRW8ZZ	Flanged Shielded with Extended Inner	0.5	1.125		0.3125	0.3437	1.2252	0.062
SR8	Open	0.5	1.125	0.25				
SR8-2RS	Sealed	0.5	1.125	0.3125				
SR8ZZ	Shielded	0.5	1.125	0.3125				

# Stainless steel deep groove ball bearings



6000, 6200, 6300, 6700, 6800, 6900

- Material AISI440C
- ◇ Rings AISI440C
- ◇ Balls AISI440C
- ◇ Cage AISI304
- ◇ Shields AISI304
- ◇ Seals NBR, PA ( poly acrylate rubber),  
SR (Silicon rubber), FR (fluorine rubber)



Bearing	Dim. (mm)			N.W.
No	d	D	B	≈kg
603	3	9	3	0.0014
604	4	12	4	0.002
605	5	14	5	0.045
606	6	17	6	0.006
607	7	19	6	0.007
608	8	22	7	0.015
609	9	24	7	0.016
6000	10	26	8	0.02
6001	12	28	8	0.022
6002	15	32	9	0.03
6003	17	35	10	0.04
6004	20	42	12	0.07
6005	25	47	12	0.08
6006	30	55	13	0.12
6007	35	62	14	0.16
6008	40	68	15	0.19
6009	45	75	16	0.23
6010	50	80	16	0.28
6700 ZZ	10	15	4	0.004
6701	12	18	4	0.0045
6702	15	21	4	0.0068
6703	17	23	4	0.009
6704	20	27	4	0.0135
6705	25	32	4	0.0135
6706	30	37	4	0.0135
6707	35	44	5	0.018
6708	40	50	6	0.018

Bearing	Dim. (mm)			N.W.
No	d	D	B	≈kg
623	3	10	4	0.0015
624	4	13	5	0.0032
625	5	16	5	0.004
626	6	19	6	0.008
627	7	22	7	0.014
628	8	24	8	0.016
629	9	26	8	0.019
6200	10	30	9	0.0315
6201	12	32	10	0.036
6202	15	35	11	0.045
6203	17	40	12	0.063
6204	20	47	14	0.1035
6205	25	52	15	0.126
6206	30	62	16	0.189
6207	35	72	17	0.2835
6208	40	80	18	0.351
6209	45	85	19	0.405
6210	50	90	20	0.4545
6800	10	19	5	0.009
6801	12	21	5	0.009
6802	15	24	5	0.009
6803	17	26	5	0.009
6804	20	32	7	0.018
6805	25	37	7	0.0225
6806	30	42	7	0.027
6807	35	47	7	0.0315
6808	40	52	7	0.036
6809	45	58	7	0.0405
6810	50	65	7	0.0495

Bearing	Dim. (mm)			N.W.
No	d	D	B	≈kg
6300	10	35	11	0.05
6301	12	37	12	0.06
6302	15	42	13	0.09
6303	17	47	14	0.12
6304	20	52	15	0.14
6305	25	62	17	0.23
6306	30	72	19	0.35
6307	35	80	21	0.45
6308	40	90	23	0.63
6309	45	100	25	0.83
6310	50	110	27	1.06
6900	10	22	6	0.009
6901	12	24	6	0.014
6902	15	28	7	0.018
6903	17	30	7	0.018
6904	20	37	9	0.036
6905	25	42	9	0.041
6906	30	47	9	0.045
6907	35	55	10	0.068
6908	40	62	12	0.104
6909	45	68	12	0.126
6910	50	72	12	0.131

Apply these bearings in a variety of services where they may be subjected to moisture, corrosive and abrasive atmospheres

Inch R ( 1/2" - 1 -1/2" )

Material

◇ Rings	AISI440C
◇ Balls	AISI440C
◇ Cage	AISI304
◇ Shields	AISI304
◇ Seals	NBR, PA ( poly acrylate rubber), SR (Silicon rubber), FR (fluorine rubber)



Bearing		Dim. (mm)			N.W.
sealed	shielded	d	D	B	≈kg
SSR8-2RS	SSR8 ZZ	12.7	28.575	6.125	0.015
SSR10-2RS	SSR10 ZZ	15.875	34.925	7.142	0.028
SSR12-2RS	SSR12 ZZ	19.05	41.275	7.938	0.043
SSR14-2RS	SSR14 ZZ	22.225	47.625	9.525	0.071
SSR16-2RS	SSR16 ZZ	25.4	50.8	9.525	0.085
SSR18-2RS	SSR18 ZZ	28.575	53.975	9.525	0.085
SSR20-2RS	SSR20 ZZ	31.75	57.15	9.525	0.094
SSR22-2RS	SSR22 ZZ	34.925	63.5	11.112	0.129
SSR24-2RS	SSR24 ZZ	38.1	66.675	11.112	0.137

Apply these bearings in a variety of services where they may be subjected to moisture, corrosive and abrasive atmospheres.

Typical examples include:

- \* Food Packaging Plants
- \* Beverage, Brewing, Bottling Plants
- \* Meat, Poultry, Seafood Processing Plants
- \* Dairy Industry Plants
- \* Sugar Processing Plants
- \* Drug and Pharmaceutical Plants
- \* Chemical Processing Plants
- \* Rubber and Plastics Plants
- \* Pulp and Paper Mills
- \* Marine and Naval Applications
- \* Car and Truck Washes
- \* Refrigeration and Freezer Plants
- \* Agricultural Harvesting Machinery
- \* Municipal Treatment Equipment
- \* A Broad Range of Material Handling Services

Inch 1600 series

Material

- ◇ Rings      AISI440C, AISI304C, AISI316C
- ◇ Balls      AISI440C, AISI304C, AISI316C
- ◇ Cage        AISI304
- ◇ Shields     AISI304
- ◇ Seals       NBR, PA ( poly acrylate rubber),  
                  SR (Silicon rubber), FR (fluorine rubber)



Bearing		Dim. (in)			N.W.
shielded	sealed	d	D	B	≈kg
1601 ZZ	1601-2RS	3/16"	11/16"	1/4"	0.0041
1601 ZZ	1601-2RS	1/4"	11/16"	1/4"	0.0064
1601 ZZ	1601-2RS	5/16"	7/8"	7/32"	0.0095
1601 ZZ	1601-2RS	3/8"	7/8"	7/32"	0.0086
1601 ZZ	1601-2RS	5/16"	29/32"	5/16"	0.0168
1601 ZZ	1601-2RS	3/8"	29/32"	5/16"	0.0218
1601 ZZ	1601-2RS	7/16"	29/32"	5/16"	0.0222
1614 ZZ	1614-2RS	3/8"	1-1/8"	3/8"	0.035
1614 ZZ	1614-2RS	7/16"	1-1/8"	3/8"	0.034
1614 ZZ	1614-2RS	1/2"	1-1/8"	3/8"	0.03
1620 ZZ	1620-2RS	7/16"	1-3/8"	7/16"	0.05
1620 ZZ	1620-2RS	1/2"	1-3/8"	7/16"	0.048
1620 ZZ	1620-2RS	9/16"	1-3/8"	7/16"	0.04
1620 ZZ	1620-2RS	5/8"	1-3/8"	7/16"	0.048
1628 ZZ	1628-2RS	5/8"	1-5/8"	1/2"	0.072
1630 ZZ	1630-2RS	3/4"	1-5/8"	1/2"	0.065
1633 ZZ	1633-2RS	5/8"	1-3/4"	1/2"	0.092
1635 ZZ	1635-2RS	3/4"	1-3/4"	1/2"	0.085
1638 ZZ	1638-2RS	3/4"	2"	9/16"	0.119
1640 ZZ	1640-2RS	7/8"	2"	9/16"	0.111
1641 ZZ	1641-2RS	1"	2"	9/16"	0.099

Typical examples include:

- \* Food Packaging Plants
- \* Beverage, Brewing, Bottling Plants
- \* Meat, Poultry, Seafood Processing Plants
- \* Dairy Industry Plants
- \* Sugar Processing Plants
- \* Drug and Pharmaceutical Plants
- \* Chemical Processing Plants
- \* Rubber and Plastics Plants
- \* Pulp and Paper Mills
- \* Marine and Naval Applications
- \* Car and Truck Washes
- \* Refrigeration and Freezer Plants
- \* Agricultural Harvesting Machinery
- \* Municipal Treatment Equipment
- \* A Broad Range of Material Handling Services

Apply these bearings in a variety of services where they may be subjected to moisture, corrosive and abrasive atmospheres.