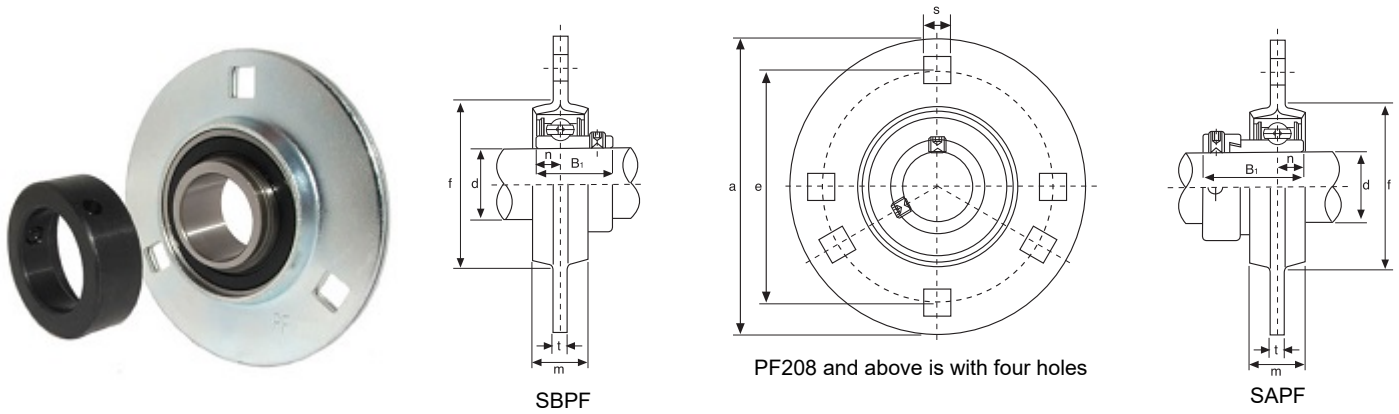


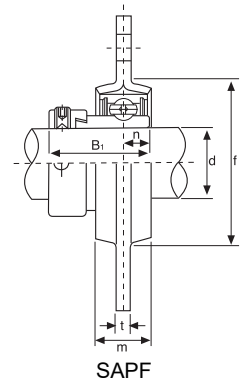
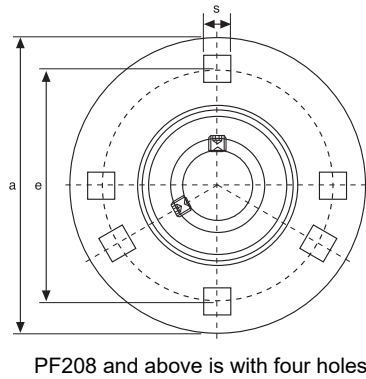
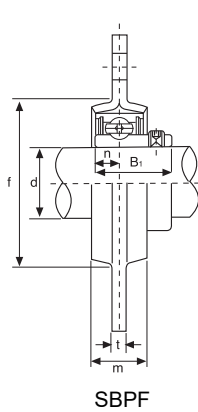
SAPF200 - Eccentric Locking Collar - Light-Duty



Unit No.	Dimensions(mm)									Bolt Size	Bearing	Housing	Weight (kg)
	d	a	e	m	t	f	s	B1	n				
SAPF201	12												
SAPF201-8	12.7												
SAPF202-9	14.288												
SAPF202	15	81	63.5	14	4	49	7	28.6	6	M6 1/4	SA202	PF203	0.27
SAPF202-10	15.875												
SAPF203	17												
SAPF203-11	17.463												
SAPF204-12	19.05	90	71	16	4	56	9	31	7	M8 5/16	SA204-12	PF204	0.33
SAPF204	20										SA204		
SAPF205-13	20.638												
SAPF205-14	22.225												
SAPF205-15	23.813	95	76	19	4	60	9	31.5	7.5	M8 5/16	SA205-15	PF205	0.38
SAPF205	25												
SAPF205-16	25.4												
SAPF206-17	26.988												
SAPF206-18	28.575												
SAPF206	30	113	90	19	5	71	11	35.7	8	M10 3/8	SA206	PF206	0.59
SAPF206-19	30.163												
SAPF206-20	31.75												
SAPF207-20	31.75												
SAPF207-21	33.338												
SAPF207-22	34.925	122	100	20	5	81	11	38.9	8.5	M10 3/8	SA207-22	PF207	0.82
SAPF207	35												
SAPF207-23	36.513												
SAPF208-24	38.1												
SAPF208-25	39.688	148	119	21	7	91	13.5	43.7	9	M12 1/2	SA208-25	PF208	1.11
SAPF208	40												

Stamped housings could be made in AISI 304 stainless steel. Combine with AISI440C stainless steel bearing for maximum corrosion resistance. Prefix "SS" - Example: SS-SAPF204

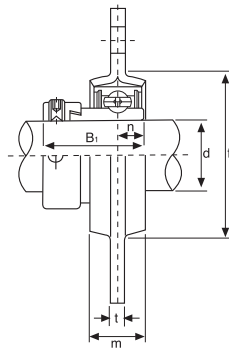
SBPF200 - Set screw locking- Light-Duty



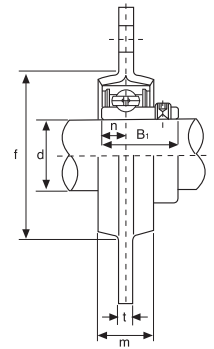
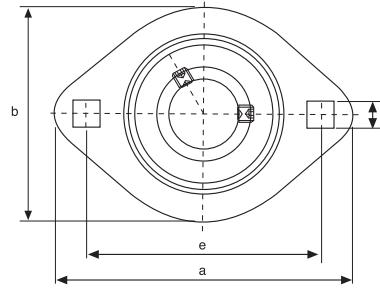
Unit No.	Dimensions(mm)									Bolt Size	Bearing	Housing	Weight (kg)	
	d	a	e	m	t	s	f	B1	n					
SBPF201	12										M6 1/4	SB201	PF203	0.23
SBPF201-8	12.7											SB201-8		
SBPF202-9	14.288											SB202-9		
SBPF202	15	81	63.5	14	4	7	49	22	6			SB202		
SBPF202-10	15.875											SB202-10		
SBPF203	17											SB203		
SBPF203-11	17.463											SB203-11		
SBPF204-12	19.05	90	71	16	4	9	56	25	7	M8	SB204-12	PF204	0.26	
SBPF204	20									5/16	SB204			
SBPF205-13	20.638									M8 5/16	SB205-13	PF205	0.35	
SBPF205-14	22.225										SB205-14			
SBPF205-15	23.813	95	76	19	4	9	60	27	7.5					SB205-15
SBPF205	25													SB205
SBPF205-16	25.4													SB205-16
SBPF206-17	26.988									M10 3/8	SB206-17	PF206	0.46	
SBPF206-18	28.575										SB206-18			
SBPF206	30	113	90	19	5	11	71	30	8					SB206
SBPF206-19	30.163													SB206-19
SBPF206-20	31.75										SB206-20			
SBPF207-20	31.75									M10 3/8	SB207-20	PF207	0.73	
SBPF207-21	33.338										SB207-21			
SBPF207-22	34.925	122	100	20	5	11	81	32	8.5					SB207-22
SBPF207	35													SB207
SBPF207-23	36.513													SB207-23
SBPF208-24	38.1									M12 1/2	SB208-24	PF208	0.94	
SBPF208-25	39.688	148	119	21	7	13.5	91	34	9					SB208-25
SBPF208	40													SB208

Stamped housings could be made in AISI 304 stainless steel. Combine with AISI440C stainless steel bearing for maximum corrosion resistance. Prefix "SS" - Example: SS-SBPF204

SAPFL200 - Eccentric Locking Collar - Light-Duty



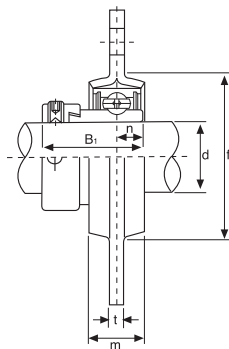
SAPFL



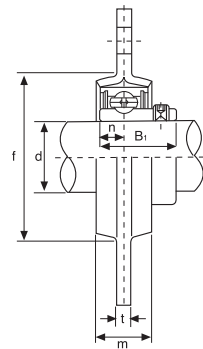
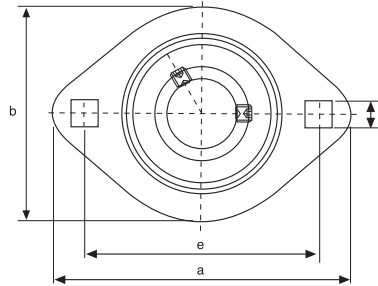
SAPFL

Unit No.	Dimensions(mm)										Bolt Size	Bearing	Housing	Weight (kg)		
	d	a	e	b	m	t	s	f	B1	n						
SAPFL201	12															
SAPFL201-8	12.7															
SAPFL202-9	14.288															
SAPFL202	15	81	63.5	59	14	4	7	49	28.6	6.5	M6 1/4	SA202	PFL203	0.22		
SAPFL202-10	15.875											SA202-10				
SAPFL203	17											SA203				
SAPFL203-11	17.463											SA203-11				
SAPFL204-12	19.05	90	71.7	67	17	4	9	56	31	7.5	M8 5/16	SA204-12	PFL204	0.25		
SAPFL204	20											SA204				
SAPFL205-13	20.638											SA205-13				
SAPFL205-14	22.225											SA205-14				
SAPFL205-15	23.813	95	76	71	18	4	9	60	31	7.5	M8 5/16	SA205-15	PFL205	0.32		
SAPFL205	25											SA205				
SAPFL205-16	25.4											SA205-16				
SAPFL206-17	26.988											SA206-17				
SAPFL206-18	28.575											SA206-18				
SAPFL206	30	113	90.5	84	19	5	11	71	35.7	9	M10 3/8	SA206	PFL206	0.41		
SAPFL206-19	30.163											SA206-19				
SAPFL206-20	31.75											SA206-20				
SAPFL207-20	31.75											SA207-20				
SAPFL207-21	33.338											SA207-21				
SAPFL207-22	34.925	122	100	94	22	5	11	81	38.9	9.5	M10 3/8	SA207-22	PFL207	0.69		
SAPFL207	35											SA207				
SAPFL207-23	36.513											SA207-23				
SAPFL208-24	38.1											SA208-24				
SAPFL208-25	39.688	147	119	105	23	7	13.5	91	43.7	11	M12 1/2	SA208-25	PFL208	1		
SAPFL208	40											SA208				

Stamped housings could be made in AISI 304 stainless steel. Combine with AISI440C stainless steel bearing for maximum corrosion resistance. Prefix "SS" - Example: SS-SAPFL204



SAPFL

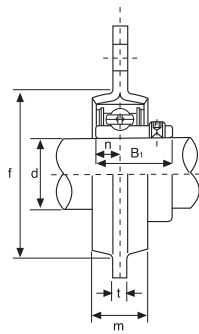


SAPFL

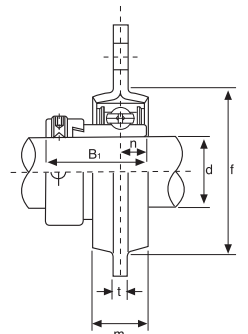
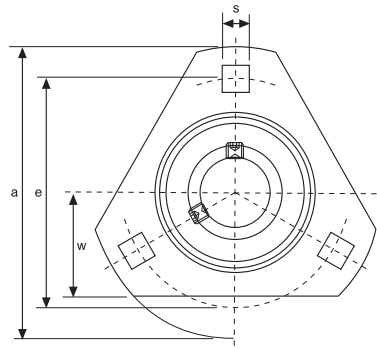
Unit No.	Dimensions(mm)										Bolt Size	Bearing	Housing	Weight (kg)		
	d	a	e	b	m	t	s	f	B1	n						
SBPFL201	12															
SBPFL201-8	12.7															
SBPFL202-9	14.288															
SBPFL202	15	81	63.5	59	14	4	7	49	22	6	M6 1/4	SB202	PFL203	0.19		
SBPFL202-10	15.875											SB202-10				
SBPFL203	17											SB203				
SBPFL203-11	17.463											SB203-11				
SBPFL204-12	19.05	90	71.7	67	17	4	9	56	25	7	M8 5/16	SB204-12	PFL204	0.24		
SBPFL204	20											SB204				
SBPFL205-13	20.638											SB205-13				
SBPFL205-14	22.225											SB205-14				
SBPFL205-15	23.813	95	76	71	18	4	9	60	27	7.5	M8 5/16	SB205-15	PFL205	0.28		
SBPFL205	25											SB205				
SBPFL205-16	25.4											SB205-16				
SBPFL206-17	26.988											SB206-17				
SBPFL206-18	28.575											SB206-18				
SBPFL206	30	113	90.5	84	19	5	11	71	30	8	M10 3/8	SB206	PFL206	0.38		
SBPFL206-19	30.163											SB206-19				
SBPFL206-20	31.75											SB206-20				
SBPFL207-20	31.75											SB207-20				
SBPFL207-21	33.338											SB207-21				
SBPFL207-22	34.925	122	100	94	22	5	11	81	32	8.5	M10 3/8	SB207-22	PFL207	0.5		
SBPFL207	35											SB207				
SBPFL207-23	36.513											SB207-23				
SBPFL208-24	38.1											SB208-24				
SBPFL208-25	39.688	147	119	105	23	7	13.5	91	34	9	M12 1/2	SB208-25	PFL208	0.8		
SBPFL208	40											SB208				

Stamped housings could be made in AISI 304 stainless steel. Combine with AISI440C stainless steel bearing for maximum corrosion resistance. Prefix "SS" - Example: SS-SBPFL204

SAPFT200 - Eccentric Locking Collar - Light-Duty



SBPFT

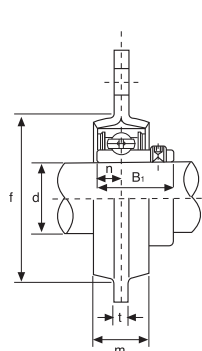


SAPFT

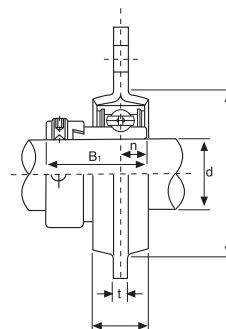
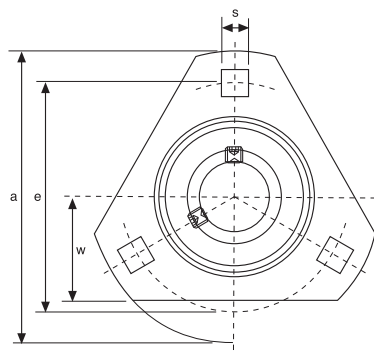
Unit No.	Dimensions(mm)										Bolt Size	Bearing	Housing	Weight (kg)		
	d	a	e	m	t	w	f	s	B1	n						
SAPFT201	12															
SAPFT201-8	12.7															
SAPFT202-9	14.288															
SAPFT202	15	81	63.5	14	4	28.5	49	7	28.6	6	M6 1/4	SA202	PFT203	0.24		
SAPFT202-10	15.875															
SAPFT203	17															
SAPFT203-11	17.463															
SAPFT204-12	19.05	90	71	16	4	33	56	9	31	7	M8 5/16	SA204-12	PFT204	0.35		
SAPFT204	20											SA204				
SAPFT205-13	20.638															
SAPFT205-14	22.225															
SAPFT205-15	23.813	95	76	19	4	35	60	9	31.5	7.5	M8 5/16	SA205-15	PFT205	0.42		
SAPFT205	25															
SAPFT205-16	25.4															
SAPFT206-17	26.988															
SAPFT206-18	28.575															
SAPFT206	30	113	90	19	5	40	71	11	35.7	8	M10 3/8	SA206	PFT206	0.59		
SAPFT206-19	30.163															
SAPFT206-20	31.75															
SAPFT207-20	31.75															
SAPFT207-21	33.338															
SAPFT207-22	34.925	122	100	20	5	44.5	81	11	38.9	8.5	M10 3/8	SA207-22	PFT207	0.9		
SAPFT207	35															
SAPFT207-23	36.513															
SAPFT208-24	38.1															
SAPFT208-25	39.688	148	119	21	7	55	85	13.5	43.7	9	M12 1/2	SA208-25	PFT208	1.11		
SAPFT208	40															

Stamped housings could be made in AISI 304 stainless steel. Combine with AISI440C stainless steel bearing for maximum corrosion resistance. Prefix "SS" - Example: SS-SAPFT204

SBPFT200 - Set Screw Locking - Light-Duty



SBPFT

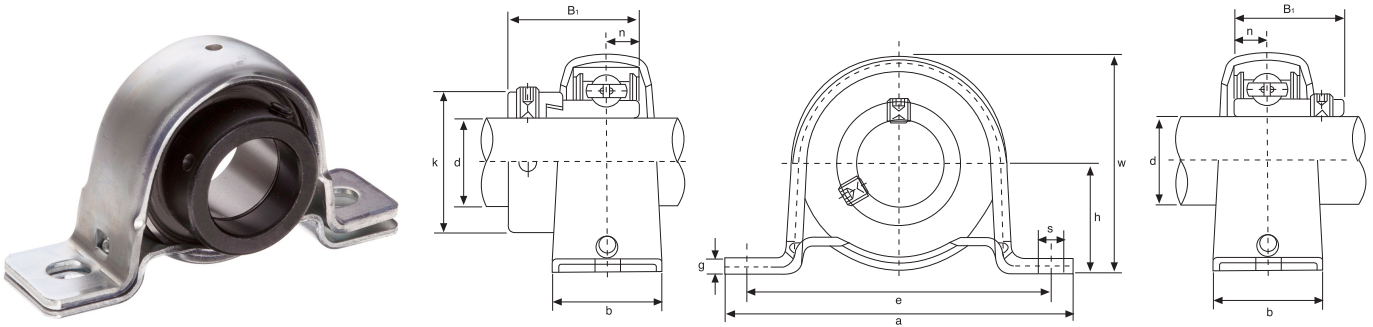


SAPFT

Unit No.	Dimensions(mm)										Bolt Size	Bearing	Housing	Weight (kg)	
	d	a	e	m	t	w	f	s	B1	S					
SBPFT201	12														
SBPFT201-8	12.7														
SBPFT202-9	14.288														
SBPFT202	15	81	63.5	14	4	28.5	49	7	22	6	M6 1/4	SB202	PFT203	0.23	
SBPFT202-10	15.875											SB202-10			
SBPFT203	17											SB203			
SBPFT203-11	17.463											SB203-11			
SBPFT204-12	19.05	90	71	16	4	33	56	9	25	7	M8 5/16	SB204-12	PFT204	0.26	
SBPFT204	20											SB204			
SBPFT205-13	20.638											SB205-13			
SBPFT205-14	22.225											SB205-14			
SBPFT205-15	23.813	95	76	19	4	35	60	9	27	7.5	M8 5/16	SB205-15	PFT205	0.35	
SBPFT205	25											SB205			
SBPFT205-16	25.4											SB205-16			
SBPFT206-17	26.988											SB206-17			
SBPFT206-18	28.575											SB206-18			
SBPFT206	30	113	90	19	5	40	71	11	30	8	M10 3/8	SB206	PFT206	0.46	
SBPFT206-19	30.163											SB206-19			
SBPFT206-20	31.75											SB206-20			
SBPFT207-20	31.75											SB207-20			
SBPFT207-21	33.338											SB207-21			
SBPFT207-22	34.925	122	100	20	5	44.5	81	11	32	8.5	M10 3/8	SB207-22	PFT207	0.73	
SBPFT207	35											SB207			
SBPFT207-23	36.513											SB207-23			
SBPFT208-24	38.1											SB208-24			
SBPFT208-25	39.688	148	119	21	7	55	85	14	34	9	M12 1/2	SB208-25	PFT208	0.94	
SBPFT208	40											SB208			

Stamped housings could be made in AISI 304 stainless steel. Combine with AISI440C stainless steel bearing for maximum corrosion resistance. Prefix "SS" - Example: SS-SBPFT204

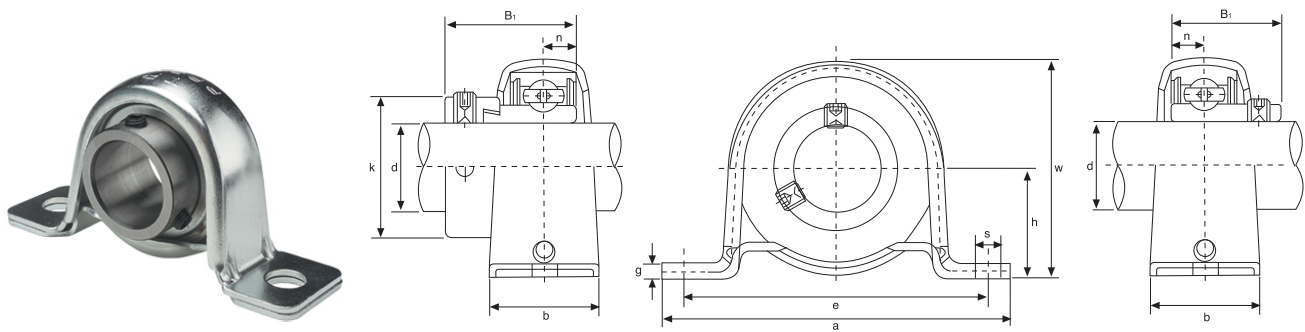
SAPP200 - Eccentric Locking Collar - Light-Duty



Unit No.	Dimensions(mm)											Bolt Size	Bearing	Housing	Weight (kg)	
	d	a	e	h	g	w	b	s	k	B1	n					
SAPP201	12												M8 5/16	SA201	PP203	0.2
SAPP201-8	12.7															
SAPP202-9	14.288															
SAPP202	15	86	68	22.2	3.2	43.4	25	9.5	28.6	28.6	6					
SAPP202-10	15.875															
SAPP203	17															
SAPP203-11	17.463															
SAPP204-12	19.05	98	76	25.4	3.2	50.4	32	9.5	33.3	31	7	M8 5/16	SA204-12	PP204	0.23	
SAPP204	20															
SAPP205-14	22.225											M10 3/8	SA205-14	PP205	0.32	
SAPP205-15	23.813															
SAPP205	25	108	86	28.6	4	56.5	32	11.5	38.1	31.5	7.5					
SAPP205-16	25.4															
SAPP205-17	26.988															
SAPP206-18	28.575											M10 3/8	SA206-18	PP206	0.47	
SAPP206-19	30															
SAPP206	30.163	117	95	33.3	4	66.3	38	11.5	44.5	35.7	8					
SAPP206-20	31.75															
SAPP207-20	31.75											M10 3/8	SA207-20	PP207	0.6	
SAPP207-21	33.338															
SAPP207-22	34.925	130	106	39.7	5	78.2	42	11.5	55.6	38.9	8.5					
SAPP207	35															
SAPP207-23	36.513															
SAPP208-24	38.1											M10 3/8	SA208-24	PP208		
SAPP208-25	39.688	148	120	43.7	5	85.8	44	12	60.3	43.7	9					
SAPP208	40															
SAPP209-26	41.275											M10 3/8	SA209-26	PP209		
SAPP209-27	42.863															
SAPP209-28	44.45	156	128	46.8	6	92.3	46	13	63.5	43.7	9.5					
SAPP209	45															

Stamped housings could be made in AISI 304 stainless steel. Combine with AISI440C stainless steel bearing for maximum corrosion resistance. Prefix "SS" - Example: SS-SAPP204

SBPP200 -Set Screw Locking - Light-Duty



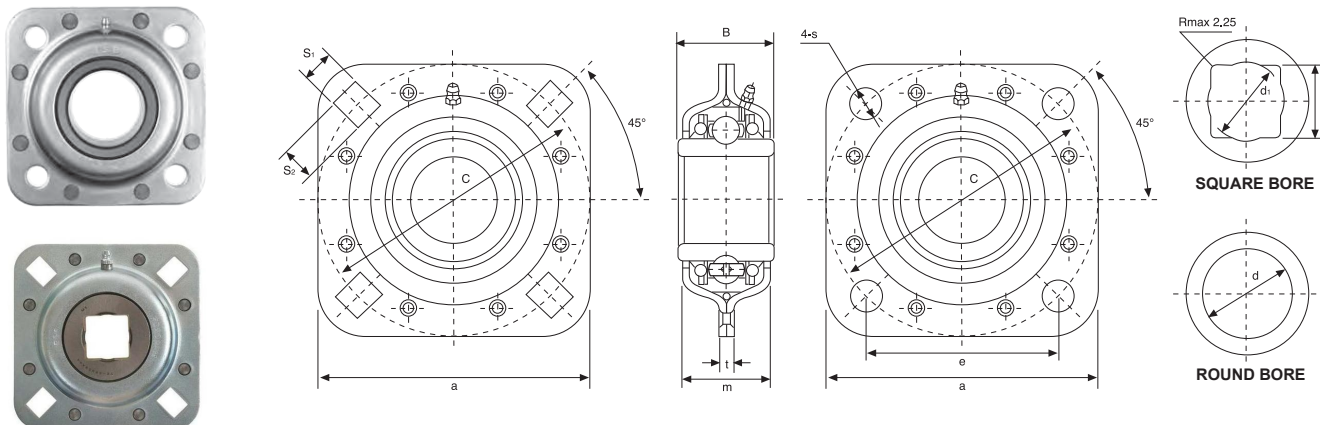
Unit No.	Dimensions(mm)										Bolt Size	Bearing	Housing	Weight (kg)	
	d	a	e	h	g	w	b	s	B1	n					
SBPP201	12											M8 5/16	SB201	PP203	0.15
SBPP201-8	12.7										SB201-8				
SBPP202-9	14.288										SB202-9				
SBPP202	15	86	68	22.2	3.2	43.4	25	9.5	22	6	SB202				
SBPP202-10	15.875										SB202-10				
SBPP203	17										SB203				
SBPP203-11	17.463										SB203-11				
SBPP204-12	19.05	98	76	25.4	3.2	50.4	32	9.5	25	7	M8 5/16	SB204-12	PP204	0.22	
SBPP204	20											SB204			
SBPP205-14	22.225	108	86	28.6	4	56.5	32	11.5	27	7.5	M10 3/8	SB205-14	PP205	0.31	
SBPP205-15	23.813											SB205-15			
SBPP205	25											SB205			
SBPP205-16	25.4											SB205-16			
SBPP205-17	26.988											SB205-17			
SBPP206-18	28.575	117	95	33.3	4	66.3	38	11.5	30	8	M10 3/8	SB206-18	PP206	0.43	
SBPP206-19	30											SB206-19			
SBPP206	30.163											SB206			
SBPP206-20	31.75											SB206-20			
SBPP207-20	31.75	130	106	39.7	5	78.2	42	11.5	32	8.5	M10 3/8	SB207-20	PP207	0.63	
SBPP207-21	33.338											SB207-21			
SBPP207-22	34.925											SB207-22			
SBPP207	35											SB207			
SBPP207-23	36.513											SB207-23			
SBPP208-24	38.1	148	120	43.7	5	85.8	44	12	34	9	M10 3/8	SB208-24	PP208	0.9	
SBPP208-25	39.688											SB208-25			
SBPP208	40											SB208			
SBPP209-26	41.275	156	128	46.8	6	92.3	46	13	36	9.5	M10 3/8	SB209-26	PP209	1.2	
SBPP209-27	42.863											SB209-27			
SBPP209-28	44.45											SB209-28			
SBPP209	45											SB209			

Stamped housings could be made in AISI 304 stainless steel. Combine with AISI440C stainless steel bearing for maximum corrosion resistance. Prefix "SS" - Example: SS-SBPP204



Agriculture Flange Disc Unit

Flanged Disc Units incorporates a bearing with two, one-piece triple lip shroud seals and two "O" rings. It is encased in two heavy gauge stamped steel housings which are riveted together. Relubricable.



Unit No.	H	d	a	B	m	t	C	s	s1	s2	d1	e
ST209-11/8	29,972	-	127	42,8	42	6	127	13,5	13,5	17,45	32,0	-
ST209-30S	31,353	-	127	42,8	42	6	127	13,5	13,5	17,45	34,5	-
ST209-1¼	32,766	-	127	42,8	42	6	127	13,5	13,5	17,45	34,5	-
ST491B	-	38,860	127	42,8	42	6	127	13,5	13,5	17,45	-	-
ST209-40R	-	40,878	127	42,8	42	6	127	13,5	13,5	17,45	-	-
ST491A	-	45	127	42,8	42	6	127	13,5	13,5	17,45	-	90
ST209-45R	-	45,340	127	42,8	42	6	127	13,5	13,5	17,45	-	-
ST491A1)	-	45	121	46	42	6	121	13,5	-	-	-	85
ST211-1½	38,890	-	139,7	50,8	46	8	139,7	13,5	13,5	17,45	42,0	-
ST211-40S	40,878	-	139,7	50,8	46	8	139,7	13,5	13,5	17,45	43,1	-
ST211-50R	-	50.4	139,7	50,8	46	8	139,7	13,5	13,5	17,45	-	-
ST211-55R	-	55,575	139,7	50,8	46	8	139,7	13,5	13,5	17,45	-	-
ST211-1¼	-	45,212	139,7	55,6	46	8	139,7	13,5	13,5	17,45	-	-
ST211-23/16	-	55,575	139,7	55,6	46	8	139,7	13,5	13,5	17,45	-	-
ST211-115/16	-	49,238	139,7	69,9	46	8	139,7	13,5	13,5	17,45	-	-
ST211	-	55	139,7	55,6	46	8	139,7	13,5	13,5	17,45	-	-

# Pressed Steel Bearing Unint

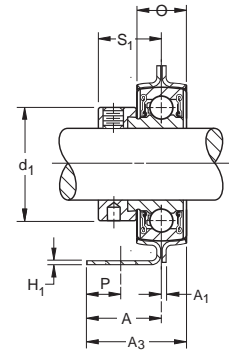
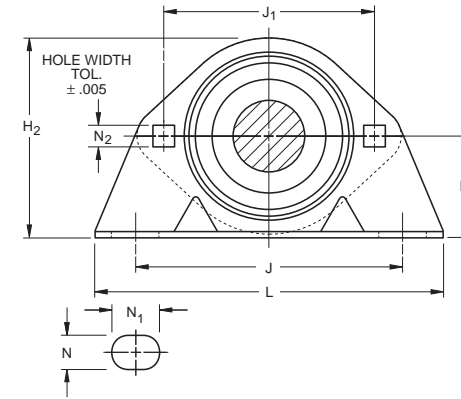


## PBPFLZ

The pillow block is an economical, versatile power transmission unit designed for light duty, moderate speed requirements.

SA-PBPFLZ bearing with eccentric locking collar

SB-PBPFLZ bearing with set screw locking



Unit No.	Unit No.	Dimensions(mm)																Bearing set screw locking	Bearing eccentric locking collar	Standard Housing	Flange No	Weight lbs kg
		d	H	L	J1	J	A3	N1	N	A1	H1	H2	f	O	P	A	N2					
SBPBPFLZ201	SAPBPFLZ201	12																SA201	SB201			
SBPBPFLZ201-8	SAPBPFLZ201-8	12.7																SA201-8	SB201-8			
SBPBPFLZ202-9	SAPBPFLZ202-9	14.288																SA202-9	SB202-9			
SBPBPFLZ202	SAPBPFLZ202	15	1 3/16 30.16	4 7/8 123.83	2 1/2 63.5	3 5/8 92.08	1 9/32 32.54	5/8 15.89	13/32 10.32	.075 2.0	.104 2.5	2 11/32 59.53	1 15/16 49.21	9/16 14.0	13/32 10.32	1 25.4	9/32 7.14	SA202	SB202	PB-1-3Z PB-201-3	PFL-1-3Z PFL-201-3	0.75 0.34
SBPBPFLZ202-10	SAPBPFLZ202-10	15.875																SA202-10	SB202-10			
SBPBPFLZ203	SAPBPFLZ203	17																SA203	SB203			
SBPBPFLZ203-11	SAPBPFLZ203-11	17.463																SA203-11	SB203-11			
SBPBPFLZ204-12	SAPBPFLZ204-12	19.05	1 5/16 33.34	5 127	2 13/16 71.44	3 13/16 96.84	1 5/16 33.33	5/8 15.89	13/32 10.32	.083 2.0	.119 3.0	2 11/16 68.26	2 3/16 55.56	5/8 16.0	13/32 10.32	1 25.4	11/32 8.73	SA204-12	SB204-12	PB-4Z PB-204	PFL-4Z PFL-204	0.97 0.44
SBPBPFLZ204	SAPBPFLZ204	20																SA204	SB204			
SBPBPFLZ205-13	SAPBPFLZ205-13	20.638																SA205-13	SB205-13			
SBPBPFLZ205-14	SAPBPFLZ205-14	22.225																SA205-14	SB205-14			
SBPBPFLZ205-15	SAPBPFLZ205-15	23.813	1 7/16 36.51	5 1/4 133.35	3 76.2	3 3/4 95.25	1 11/32 34.13	13/16 20.64	7/16 11.11	.083 2.0	.134 3.5	2 27/32 72.23	2 3/8 60.33	11/16 18.0	7/16 11.11	1 25.4	11/32 8.73	SA205-15	SB205-15	PB-5Z PB-205	PFL-5Z PFL-205	1.2 0.544
SBPBPFLZ205	SAPBPFLZ205	25																SA205	SB205			
SBPBPFLZ205-16	SAPBPFLZ205-16	25.4																SA205-16	SB205-16			
SBPBPFLZ206-17	SAPBPFLZ206-17	26.988																SA206-17	SB206-17			
SBPBPFLZ206-18	SAPBPFLZ206-18	28.575																SA206-18	SB206-18			
SBPBPFLZ206	SAPBPFLZ206	30	1 11/16 42.86	6 1/4 158.75	3 9/16 90.49	4 11/16 119.06	1 17/32 38.89	7/8 22.23	9/16 14.29	.104 2.5	.134 3.5	3 11/32 84.93	2 13/16 71.44	11/16 18.0	9/16 14.29	1 3/16 30.16	13/32 10.32	SA206	SB206	PB-6Z PB-206	PFL-6Z PFL-206	1.64 0.744
SBPBPFLZ206-19	SAPBPFLZ206-19	30.163																SA206-19	SB206-19			
SBPBPFLZ206-20	SAPBPFLZ206-20	31.75																SA206-20	SB206-20			
SBPBPFLZ207-20	SAPBPFLZ207-20	31.75																SA207-20	SB207-20			
SBPBPFLZ207-21	SAPBPFLZ207-21	33.338																SA207-21	SB207-21			
SBPBPFLZ207-22	SAPBPFLZ207-22	34.925	1 7/8 47.63	6 1/2 165.10	3 15/16 100.01	5 127	1 13/16 46.04	7/8 22.23	9/16 14.29	.104 2.5	.149 4.0	3 23/32 94.46	3 3/16 80.96	7/8 20	9/16 14.29	1 3/8 34.93	13/32 10.32	SA207-22	SB207-22	PB-7Z PB-207	PFL-7Z PFL-207	2.4 1.089
SBPBPFLZ207	SAPBPFLZ207	35																SA207	SB207			
SBPBPFLZ207-23	SAPBPFLZ207-23	36.513																SA207-23	SB207-23			