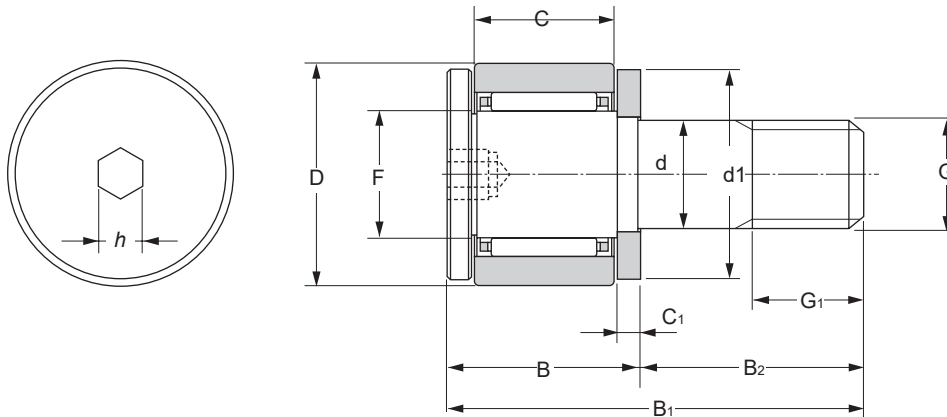


Miniature Cam Followers

- CFS...A & CFS...VA
- HEX SOCKET



Cylindrical OD	Dimensions(mm)										Basic load rating		Largest permissible Load(N)	Max tightening torque N.m	N.W. ≈g
	d	D	C	G	G1	B1	B2	C1	H	f min	dynamic Cr(N)	static Cor(N)			
CFS 2.5A	2.5	5	3	M2.5x0.45	2.5	9.5	5	0.7	0.9	4.8	410	355	260	0.2	1
CFS2.5VA											1000	1080			
CFS 3A	3	6	4	M3x0.5	3	11.5	6	0.7	1.5	5.8	630	610	360	0.3	2
CFS 3VA											1370	1770			
CFS 4A	4	8	5	M4x0.7	4	15	8	1	2	7.7	1080	1080	780	0.6	4
CFS 4VA											2350	3040			
CFS 5A	5	10	6	M5x0.7	5	18	10	1	2.5	9.6	1570	1860	1420	1.3	7
CFS 5VA											3140	4710			
CFS 6A	6	12	7	M6x1	6	21.5	12	1.2	3	11.6	2060	2160	2110	2.3	13
CFS 6VA											4610	6270			

Interchange

C&H		IKO		NTN	
cage	full roller	cage	full roller	cage	full roller
CFS 2.5A	CFS 2.5VA	CFS 2.5	CFS 2.5V	KRM5XT2H/3A	KRMV5XT2H/3A
CFS 3A	CFS 3VA	CFS 3	CFS 3V	KRM6XT2H/3A	KRMV6XT2H/3A
CFS 4A	CFS 4VA	CFS 4	CFS 4V	KRM8XT2H/3A	KRMV8XT2H/3A
CFS 5A	CFS 5VA	CFS 5	CFS 5V	KRM10XT2H/3A	KRMV10XT2H/3A
CFS 6A	CFS 6VA	CFS 6	CFS 6V	KRM12XT2H/3A	KRMV12XT2H/3A

Stainless Steel Miniature Cam Followers



- SCFS...A & SCFS...VA
- HEX SOCKET



Cylindrical OD	Dimensions(mm)										Basic load rating		Largest permissible Load(N)	Max tightening torque N.m	N.W. ≈g
	d	D	C	G	G1	B1	B2	C1	H	f min	dynamic Cr(N)	static Cor(N)			
SCFS 2.5A	2.5	5	3	M2.5x0.45	2.5	9.5	5	0.7	0.9	4.8	370	300	260	0.2	1
SCFS2.5VA											920	990			
SCFS 3A	3	6	4	M3x0.5	3	12	6	0.7	1.5	5.8	570	560	360	0.3	2
SCFS 3VA											1260	1620			
SCFS 4A	4	8	5	M4x0.7	4	15	8	1	2	7.7	990	990	780	0.6	4
SCFS 4VA											2160	2790			
SCFS 5A	5	10	6	M5x0.7	5	18	10	1	2.5	9.6	1440	1710	1420	1.3	7
SCFS 5VA											2880	4330			
SCFS 6A	6	12	7	M6x1	6	22	12	1.2	3	11.6	1890	1980	2110	2.3	13
SCFS 6VA											4240	5760			

Interchange

C&H		IKO		NTN	
cage	full roller	cage	full roller	cage	full roller
SCFS 2.5A	SCFS 2.5VA	CFS 2.5F	CFS 2.5FV	2F-KRM5XT2H/3A	2F-KRMV5XT2H/3A
SCFS 3A	SCFS 3VA	CFS 3F	CFS 3FV	2F-KRM6XT2H/3A	2F-KRMV6XT2H/3A
SCFS 4A	SCFS 4VA	CFS 4F	CFS 4FV	2F-KRM8XT2H/3A	2F-KRMV8XT2H/3A
SCFS 5A	SCFS 5VA	CFS 5F	CFS 5FV	2F-KRM10XT2H/3A	2F-KRMV10XT2H/3A
SCFS 6A	SCFS 6VA	CFS 6F	CFS 6FV	2F-KRM12XT2H/3A	2F-KRMV12XT2H/3A