

Part Number Notation

LM E F P 20 L UU OP - A N S

- Linear Bushing
- Standard Option(Europe, US)

Blank	Asian Standard
E	European Standard
B	US Standard
- Flange Option

Blank	Standard
F	Circular type
K	Square type
H	Oval type
- Flange Location

Blank	Standard
P	Pilot
M	Middle
- Nominal Shaft Diameter

5~80mm	Standard
6~80mm	Flange
- Length

Blank	Standard
L	Long
- Seal

Blank	No Seal
UU	Both Side Seal
U	One Side Seal
- Sloting Type

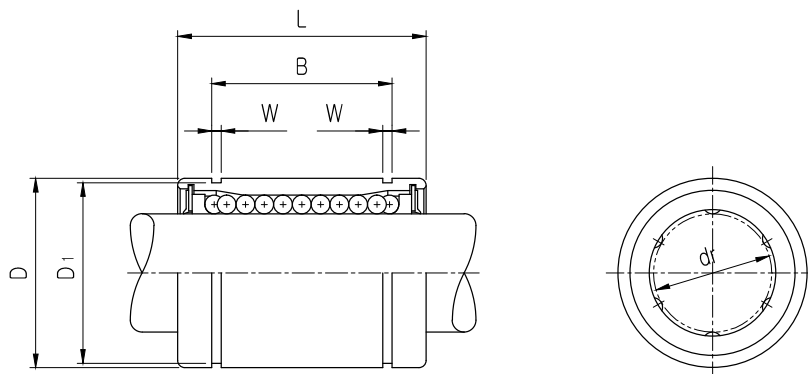
Blank	Standard type
OP	Open type(for support rail)
AJ	Adjustable type
- Retainer (material)

Blank	Resin Retainer(Standard)
A	Steel Retainer (High temperature)*1
- Outer-sleeves (by corrosion resistance)

Blank	Resin retainer(Standard)
N	Electroless nickel plating
R	Raydent treatment
- Ball type (material)

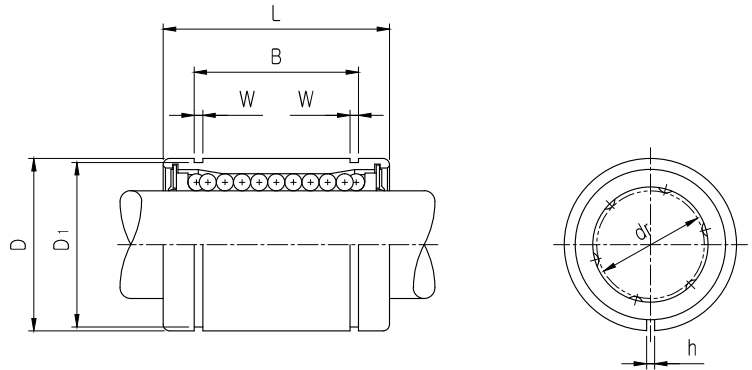
Blank	High carbon bearing steel ball(Standard)
S	Stainless steel ball





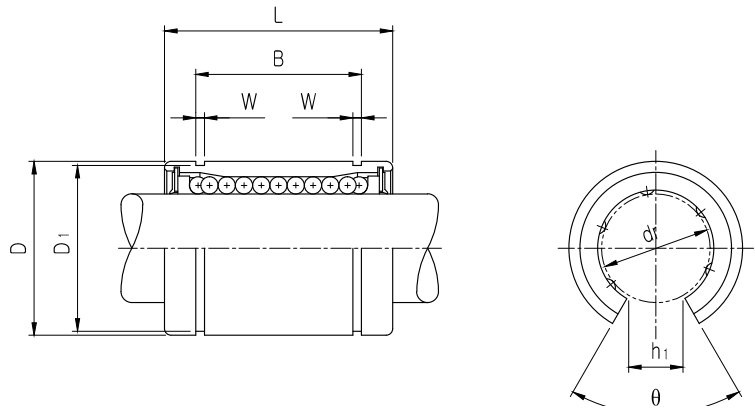
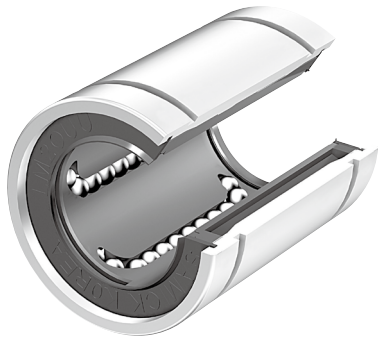
PART NUMBER		WORKING BORE DIAMETER		D		L		B		W	D ₁	BASIC LOAD RATING(N) ^{*4}		NO. OF BALL ROW	WEIGHT (gf) ^{*2}
Resin	Steel ^{*5}	dr. (mm)	CLEAR NCE(mm)	mm	CLEAR NCE(mm)	mm	CLEAR NCE(mm)	mm	CLEAR NCE(mm)			DYNAMIC (C) ^{*1}	STATIC (C ₀)		
LM5UU		5	0 -0.008	10	0 -0.008	15	0 -0.12	10.2		1.1	9.6	167	206	4	4
LM6UU	LM6-A	6		12		19		13.5		1.1	11.5	200	260	4	8
LM8SUU		8		15	0 -0.011	17		11.5		1.1	14.3	170	220	4	11
LM8UU	LM8-A	8		15		24		17.5		1.1	14.3	260	400	4	16
LM10UU	LM10-A	10	0 -0.009	19		29	0 -0.2	22.0	0 -0.2	1.3	18	370	540	4	30
LM12UU	LM12-A	12		21	0 -0.013	30		23.0		1.3	20	410	590	4	31.5
LM13UU	LM13-A	13		23		32		23.0		1.3	22	500	770	4	43
LM16UU	LM16-A	16		28		37		26.5		1.6	27	770	1170	5	69
LM20UU	LM20-A	20		32		42		30.5		1.6	30.5	860	1370	5	87
LM25UU	LM25-A	25	0 -0.010	40	0 -0.016	59		41.0		1.85	38	980	1560	6	220
LM30UU		30		45		64		44.5		1.85	43	1560	2740	6	250
LM35UU		35		52		70	0 -0.3	49.5	0 -0.3	2.1	49	1660	3130	6	390
LM40UU		40	0 -0.012	60	0 -0.019	80		60.5		2.1	57	2150	4010	6	585
LM50UU		50		80		100		74.0		2.6	76.5	3820	7930	6	1580
LM60UU		60	0 -0.015	90	0 -0.022	110		85.0		3.15	86.5	4700	9990	6	2000
LM80UU		80		120		140	0 -0.4	105.5	0 -0.4	4.15	116	10130	12000	6	4100

LM_AJ ADJUSTABLE LINEAR BUSHING ASIAN



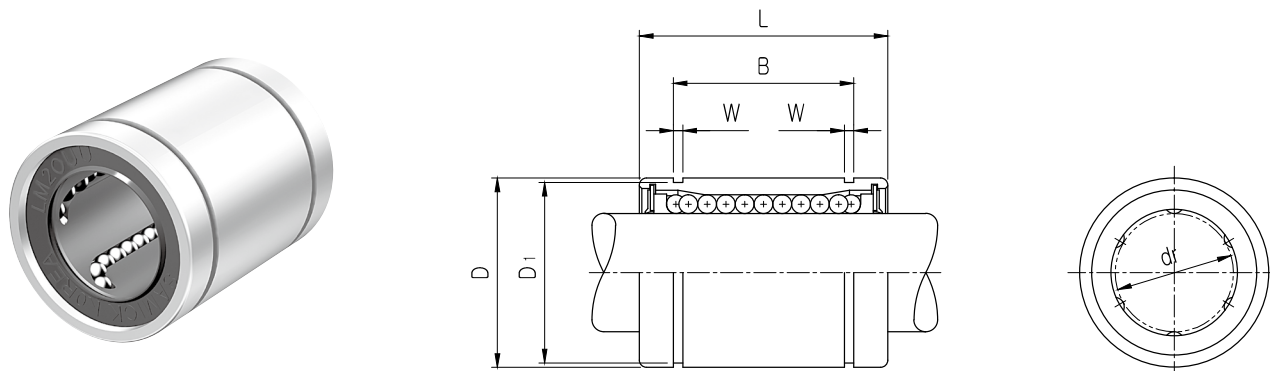
PART NUMBER		WORKING BORE DIAMETER		D		L		B		W	h	D ₁	BASIC LOAD RATING(N)		NO. OF BALL ROW	WEIGHT (gf) ^{*2}
Resin	Steel	dr. (mm)	CLEAR NCE (mm)	mm	CLEAR NCE (mm)	mm	CLEAR NCE (mm)	mm	CLEAR NCE (mm)				DYNAMIC (C) ^{*1}	STATIC (Co)		
LM6UU AJ	LM6 AJ-A	6		12		19		13.5		1.1	1	11.5	200	260	4	8
LM8SUU AJ		8		15	0 -0.011	17		11.5		1.1	1	14.3	170	220	4	11
LM8UU AJ	LM8 AJ-A	8		15		24		17.5		1.1	1	14.3	260	400	4	16
LM10UU AJ	LM10 AJ-A	10	0 -0.009	19		29	0 -0.2	22.0	0 -0.2	1.3	1	18	370	540	4	30
LM12UU AJ	LM12 AJ-A	12		21	0 -0.013	30		23.0		1.3	1.5	20	410	590	4	31.5
LM13UU AJ	LM13 AJ-A	13		23		32		23.0		1.3	1.5	22	500	770	4	43
LM16UU AJ	LM16 AJ-A	16		28		37		26.5		1.6	1.5	27	770	1170	5	69
LM20UU AJ	LM20 AJ-A	20		32		42		30.5		1.6	1.5	30.5	860	1370	5	87
LM25UU AJ	LM25 AJ-A	25	0 -0.010	40	0 -0.016	59		41.0		1.85	2	38	980	1560	6	220
LM30UU AJ		30		45		64		44.5		1.85	2.5	43	1560	2740	6	250
LM35UU AJ		35		52		70		49.5		2.1	2.5	49	1660	3130	6	390
LM40UU AJ		40	0 -0.012	60	0 -0.019	80	0 -0.3	60.5	0 -0.3	2.1	3	57	2150	4010	6	585
LM50UU AJ		50		80		100		74.0		2.6	3	76.5	3820	7930	6	1580
LM60UU AJ		60	0 -0.015	90	0 -0.022	110		85.0		3.15	3	86.5	4700	9990	6	2000
LM80UU AJ		80		120		140		105.5		4.15	3	116	10130	12000	6	4500

LM_OP OPEN LINEAR BUSHING ASIAN



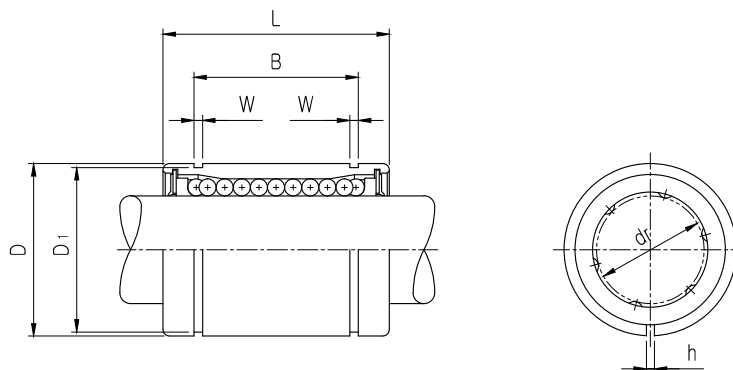
PART NUMBER	WORKING BORE DIAMETER		D*4		L		B		W	D ₁	θ	BASIC LOAD RATING(N)		NO. OF BALL ROW	WEIGHT (gf) ^{*2}	
	Resin	dr. (mm)	CLEAR NCE(mm)	mm	CLEAR NCE(mm)	mm	CLEAR NCE(mm)	mm				CLEAR NCE(mm)	DYNAMIC (C) ^{*1}			STATIC (Co)
LM12UU OP		12			21		30		23.0	1.3	8	80	410	590	3	31.5
LM13UU OP		13	0 -0.009	0 -0.013	23		32	0 -0.2	23.0	1.3	9	80	500	770	3	43
LM16UU OP		16			28		37		26.5	1.6	11	80	770	1170	4	69
LM20UU OP		20			32		42		30.5	1.6	11	60	860	1370	4	87
LM25UU OP		25	0 -0.010	0 -0.016	40		59		41.0	1.85	12	50	980	1560	5	220
LM30UU OP		30			45		64		44.5	1.85	15	50	1560	2740	5	250
LM35UU OP		35			52		70		49.5	2.1	17	50	1660	3130	5	390
LM40UU OP		40	0 -0.012	0 -0.019	60		80	0 -0.3	60.5	2.1	20	50	2150	4010	5	585
LM50UU OP		50			80		100		74.0	2.6	25	50	3820	7930	5	1580
LM60UU OP		60	0 -0.015	0 -0.022	90		110		85.0	3.15	30	50	4700	9990	5	2000
LM80UU OP		80			120		140		105.5	4.15	30	50	10130	12000	5	4500

LME CLOSED LINEAR BUSHING EUROPEAN STANDARD



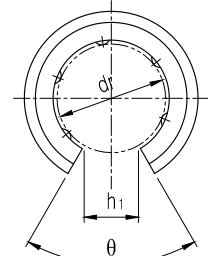
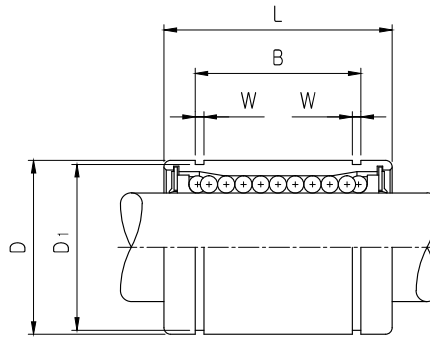
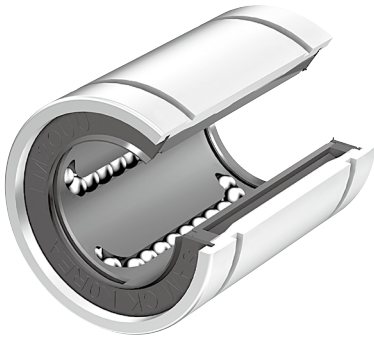
PART NUMBER		WORKING BORE DIAMETER		D		L		B		W	D ₁	BASIC LOAD RATING(N)		NO. OF BALL ROW	WEIGHT (g) ^{*2}
Resin	Steel	dr. (mm)	CLEARNCE (mm)	mm	CLEARNCE (mm)	mm	CLEARNCE (mm)	mm	CLEARNCE (mm)			DYNAMIC (C) ^{*1}	STATIC (Co)		
LME5UU		5	+0.008 0	12	0	22	0 -0.008	14.5	0 -0.2	1.1	11.5	200	260	4	12
LME8UU	LME8-A	8		16	25	16.5		1.1		15.2	260	400	4	20	
LME12UU	LME12-A	12	+0.009 -0.001	22	0	32	0 -0.009	22.9	0 -0.2	1.3	21	410	590	4	41
LME16UU	LME16-A	16		26	36	24.9		1.3		24.9	770	1170	5	57	
LME20UU	LME20-A	20	+0.011 -0.001	32	0 -0.011	45	0 -0.3	31.5	0 -0.3	1.6	30.3	860	1370	5	91
LME25UU	LME25-A	25		40		58		44.1		1.85	37.5	980	1560	6	215
LME30UU		30	+0.013 -0.002	47	0 -0.013	68	0 -0.3	52.1	0 -0.3	1.85	44.5	1560	2740	6	325
LME40UU		40		62		80		60.6		2.15	59	2150	4010	6	705
LME50UU		50	+0.013 -0.002	75	0 -0.013	100	0 -0.4	77.6	0 -0.4	2.65	72	3820	7930	6	1130
LME60UU		60		90		125		101.7		3.15	86.5	4700	9990	6	2220

LME-AJ ADJUSTABLE LINEAR BUSHING EUROPEAN STANDARD



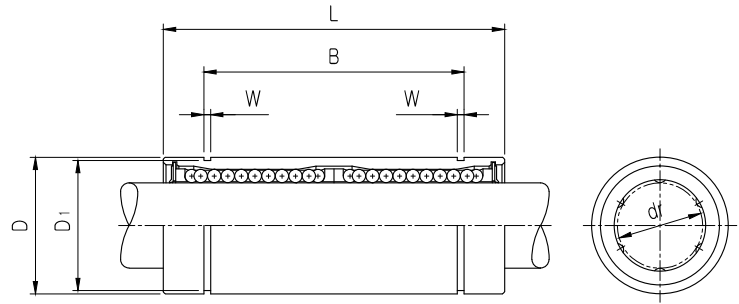
PART NUMBER		WORKING BORE DIAMETER		D*4		L		B		W	D ₁	h	BASIC LOAD		NO. OF BALL ROW	WEIGHT (gf)*2
Resin	Steel	d _r (mm)	CLEARNCE (mm)	mm	CLEARNCE (mm)	mm	CLEARNCE (mm)	mm	CLEARNCE (mm)				RATING(N)			
													DYNAMIC (C)*1	STATIC (Co)		
LME5UUAJ		5	+0.008 0	12	0	22	0 -0.008	14.5	0	1.1	11.5	1	200	260	4	12
LME8UUAJ	LME8AJ-A	8		16	25	16.5		1.1		15.2	1	260	400	4	20	
LME12UUAJ	LME12AJ-A	12		22	32	22.9		1.3		21	1.5	410	590	4	41	
LME16UUAJ	LME16AJ-A	16	+0.009 -0.001	26	0	36	-0.009	24.9	0	1.3	24.9	1.5	770	1170	5	57
LME20UUAJ	LME20AJ-A	20		32	45	31.5		1.6		30.3	2	860	1370	5	91	
LME25UUAJ	LME25AJ-A	25	+0.011 -0.001	40	0	58	-0.011	44.1	0	1.85	37.5	2	980	1560	6	215
LME30UUAJ		30		47	68	52.1		1.85		44.5	2	1560	2740	6	325	
LME40UUAJ		40	+0.013 -0.002	62	0	80	-0.013	60.6	0	2.15	59	3	2150	4010	6	705
LME50UUAJ		50		75	100	77.6		2.65		72	3	3820	7930	6	1130	
LME60UUAJ		60		90	125	101.7		3.15		86.5	3	4700	9990	6	2220	

LME-OP OPEN LINEAR BUSHING EUROPEAN STANDARD



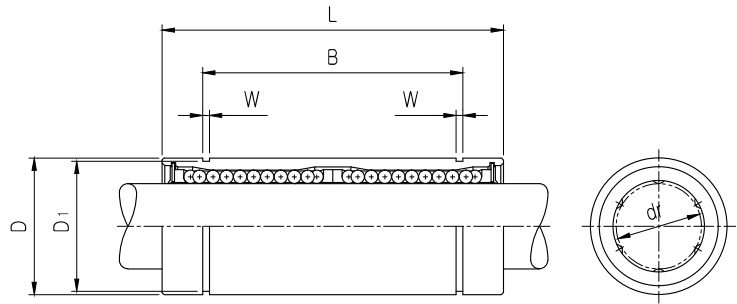
PART NUMBER	WORKING BORE DIAMETER		D ⁺		L		B		W	D ₁	h	θ	BASIC LOAD RATING(N)		NO. OF BALL ROW	WEIGHT (gf) ^{*2}	
	Resin	dr. (mm)	CLEARNCE (mm)	mm	CLEARNCE (mm)	mm	CLEARNCE (mm)	mm					CLEARNCE (mm)	DYNAMIC (C) ^{*1}			STATIC (Co)
LME12UUOP		12	+0.008 0	22	0	32		22.9		1.3	21	7.5	78°	410	590	3	41
LME16UUOP		16	+0.009 -0.001	26	0 -0.009	36	0 -0.2	24.9	0 -0.2	1.3	24.9	10	78°	770	1170	4	57
LME20UUOP		20		32		45		31.5		1.6	30.3	10	60°	860	1370	4	91
LME25UUOP		25	+0.011 -0.0011	40	0 -0.011	58	0 -0.3	44.1	0 -0.3	1.85	37.5	12.5	60°	980	1560	5	215
LME30UUOP		30		47		68		52.1		1.85	44.5	12.5	50°	1560	2740	5	325
LME40UUOP		40	+0.013 -0.002	62	0 -0.013	80	0 -0.3	60.6	0 -0.3	2.15	59	16.8	50°	2150	4010	5	705
LME50UUOP		50		75		100		77.6		2.65	72	21	50°	3820	7930	5	1130
LME60UUOP		60		90		125		101.7		3.15	86.5	27.2	54°	4700	9990	5	2220

LM_L LONG LINEAR BUSHING ASIAN STANDARD



PART NUMBER		WORKING BORE DIAMETER		D		L		B		W	D ₁	BASIC LOAD RATING(N) ⁺⁴		NO. OF BALL ROW	WEIGHT (g) ⁺²			
Resin	Steel	dr. (mm)	CLEAR NCE(mm)	mm	CLEAR NCE(mm)	mm	CLEAR NCE(mm)	mm	CLEAR NCE(mm)			DYNAMIC (C) ⁺¹	STATIC (Co)					
LM6LUU	LM6L-A	6	0 -0.010	12	0 -0.013	35	0 -0.3	27	0 -0.3	1.1	11.5	320	520	4	16			
LM8LUU	LM8L-A	8		15		45		35		1.1	14.3	430	780	4	31			
LM10LUU	LM10L-A	10		19	55	44		1.3		18	580	1100	4	62				
LM12LUU	LM12L-A	12		21	57	46		1.3		20	650	1200	4	80				
LM13LUU	LM13L-A	13		23	61	46		1.3		22	810	1570	4	90				
LM16LUU	LM16L-A	16		28	70	53		1.6		27	1230	2350	5	145				
LM20LUU	LM20L-A	20		32	80	61		1.6		30.5	1400	2750	5	180				
LM25LUU	LM25L-A	25		0 -0.012	40	0 -0.019		112		0 -0.4	82	0 -0.4	1.85	38	1560	3140	6	440
LM30LUU		30		45	123	89		1.85			43		2490	5490	6	580		
LM35LUU		35		52	135	99		2.1			49		2650	6470	6	795		
LM40LUU		40	0 -0.015	60	0 -0.022	154	2.1	57	3430		8040		6	1170				
LM50LUU		50	80	192	148	2.6	76.5	6080	15900		6		3100					
LM60LUU		60	0 -0.020	90	0 -0.025	211	3.15	86.5	7650		20000		6	3500				

LME_L LONG LINEAR BUSHING EUROPEAN STANDARD



PART NUMBER		WORKING BORE DIAMETER		D		L		B		W	D ₁	BASIC LOAD RATING(N)		NO. OF BALL ROW	WEIGHT (gf) ^{*2}
Resin	Steel	dr. (mm)	CLEARNCE (mm)	mm	CLEARNCE (mm)	mm	CLEARNCE (mm)	mm	CLEARNCE (mm)			DYNAMIC (C) ^{*1}	STATIC (Co)		
LME8LUU	LME8L-A	8	+0.009 -0.001	16	0 -0.009	45	0 -0.3	33	0 -0.3	1.1	15.2	430	780	4	31
LME12LUU	LME12L-A	12		22	0 -0.011	57		45.8		1.3	21	650	1200	4	80
LME16LUU	LME16L-A	16	+0.011 -0.001	26	0 -0.013	70	0 -0.4	49.8	0 -0.4	1.3	24.9	1230	2350	5	145
LME20LUU	LME20L-A	20		32		80		61		1.6	30.3	1400	2750	5	180
LME25LUU	LME25L-A	25	+0.013 -0.002	40	0 -0.015	112	0 -0.4	82	0 -0.4	1.85	38	1560	3140	6	440
LME30LUU		30		47		123		104.2		1.85	44.5	2490	5490	6	580
LME40LUU		40	+0.016 -0.004	62	0 -0.020	154	0 -0.4	121.2	0 -0.4	2.15	59	3430	8040	6	1170
LME50LUU		50		75		192		155.2		2.65	72	6080	15900	6	3100
LME60LUU		60		90		211		170		3.15	86.5	7650	20000	6	3500