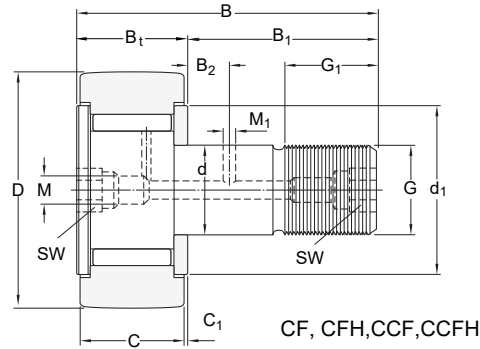
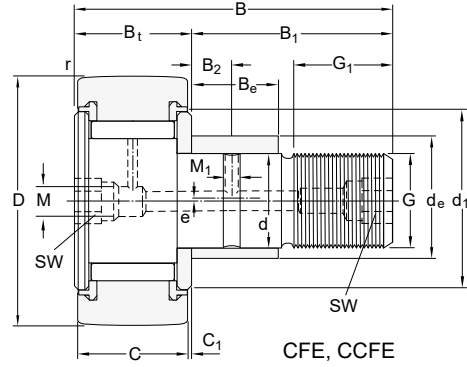


Inch Cam Followers

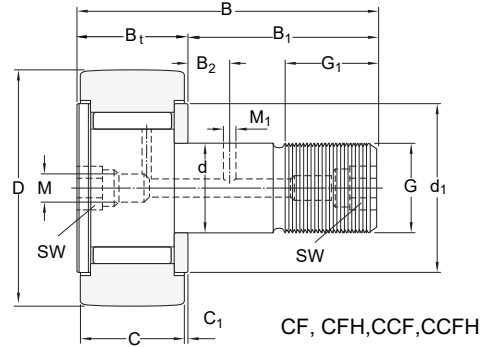


Designation		D		C		d		B ₁	C ₁	G ₁	B	R	e	Be	de	Max. dynamic radial loads	Max. static radial loads
W/O Seals	With Seals	Outside diameter		Outer ring width		Stud diameter		Stud length	Distance outer ring face to washer face	Min thread length	Total length	Crown	Eccentric				
		inch mm		inch mm		inch mm		inch mm	inch mm	inch mm	inch mm	inch mm	Base modifier CFE-XX				
		Nom.	Tol.	Nom.	Tol.	Nom.	Tol.	(Ref)	(Ref)	(Ref)	(Ref)	Radius (Ref)	(Ref)	+0/-0.010	±.001		
CF 1/2	CF 1/2 S	.500	+0/-0.001	.375	+0 / -.005	.190	+0.01/-0	.63	.031	.25	1.03	Cylindrical	N/A	N/A	N/A	680 3,025	790 3,514
CF 1/2 B	CF 1/2 SB	12.70	+0/-0.03	9.53	+0 / -.13	4.83	+0.03/-0	15.9	.8	6.4	26.2	7					
CCF 1/2	CCF 1/2 S											178					
CCF 1/2 B	CCF 1/2 SB																
CFE 1/2	CFE 1/2 S	.500	+0/-0.001	.375	+0 / -.005	.190	+0.01/-0	.63	.031	.25	1.03	Cylindrical	.010	.375	.250	680 3,025	790 3,514
CFE 1/2 B	CFE 1/2 SB	12.70	+0/-0.03	9.53	+0 / -.13	4.83	+0.03/-0	15.9	.8	6.4	26.2	7					
CCFE 1/2	CCFE 1/2 S											178					
CCFE 1/2 B	CCFE 1/2 SB																
CFH 1/2	CFH 1/2 S	.500	+0/-0.001	.375	+0 / -.005	.190	+0.01/-0	.63	.031	.25	1.03	Cylindrical	N/A	N/A	N/A	680 3,025	1,580 7,028
CFH 1/2 B	CFH 1/2 SB	12.70	+0/-0.03	9.53	+0 / -.13	4.83	+0.03/-0	15.9	.8	6.4	26.2	7					
CCFH 1/2	CCFH 1/2 S											178					
CCFH 1/2 B	CCFH 1/2 SB																
CF 1/2 N	CF 1/2 N S	.500	+0/-0.001	.344	+0 / -.005	.190	+0.01/-0	.50	.031	.25	.88	Cylindrical	N/A	N/A	N/A	620 2,758	720 3,203
CF 1/2 N B	CF 1/2 N SB	12.70	+0/-0.03	8.74	+0 / -.13	4.83	+0.03/-0	12.7	.8	6.4	22.2	6					
CCF 1/2 N	CCF 1/2 N S											152					
CCF 1/2 N B	CCF 1/2 N SB																
CFE 1/2 N	CFE 1/2 N S	.500	+0/-0.001	.344	+0 / -.005	.190	+0.01/-0	.50	.031	.25	.88	Cylindrical	.010	.250	.250	620 2,758	720 3,203
CFE 1/2 N B	CFE 1/2 N SB	12.70	+0/-0.03	8.74	+0 / -.13	4.83	+0.03/-0	12.7	.8	6.4	22.2	6					
CCFE 1/2 N	CCFE 1/2 N S											152					
CCFE 1/2 N B	CCFE 1/2 N SB																
CF 9/16	CF 9/16 S	.5625	+0/-0.001	.375	+0 / -.005	.190	+0.01/-0	.63	.031	.25	1.03	Cylindrical	N/A	N/A	N/A	680 3,025	790 3,514
CF 9/16 B	CF 9/16 SB	14.29	+0/-0.03	9.53	+0 / -.13	4.83	+0.03/-0	15.9	.8	6.4	26.2	7					
CCF 9/16	CCF 9/16 S											178					
CCF 9/16 B	CCF 9/16 SB																
CFE 9/16	CFE 9/16 S	.5625	+0/-0.001	.375	+0 / -.005	.190	+0.01/-0	.63	.031	.25	1.03	Cylindrical	.010	.375	.250	680 3,025	790 3,514
CFE 9/16 B	CFE 9/16 SB	14.29	+0/-0.03	9.53	+0 / -.13	4.83	+0.03/-0	15.9	.8	6.4	26.2	7					
CCFE 9/16	CCFE 9/16 S											178					
CCFE 9/16 B	CCFE 9/16 SB																
CFH 9/16	CFH 9/16 S	.5625	+0/-0.001	.375	+0 / -.005	.250	+0.01/-0	.63	.031	.25	1.03	Cylindrical	N/A	N/A	N/A	680 3,025	1,580 7,028
CFH 9/16 B	CFH 9/16 SB	14.29	+0/-0.03	9.53	+0 / -.13	6.35	+0.03/-0	15.9	.8	6.4	26.2	7					
CCFH 9/16	CCFH 9/16 S											178					
CCFH 9/16 B	CCFH 9/16 SB																
CF 5/8	CF 5/8 S	.625	+0/-0.001	.438	+0 / -.005	.250	+0.01/-0	.75	.031	.31	1.22	Cylindrical	N/A	N/A	N/A	955 4,248	1,215 5,404
CF 5/8 B	CF 5/8 SB	15.88	+0/-0.03	11.11	+0 / -.13	6.35	+0.03/-0	19.1	.8	7.9	31.0	8					
CCF 5/8	CCF 5/8 S											203					
CCF 5/8 B	CCF 5/8 SB																
CFE 5/8	CFE 5/8 S	.625	+0/-0.001	.438	+0 / -.005	.250	+0.01/-0	.75	.031	.31	1.22	Cylindrical	.015	.437	.375	955 4,248	1,215 5,404
CFE 5/8 B	CFE 5/8 SB	15.88	+0/-0.03	11.11	+0 / -.13	6.35	+0.03/-0	19.1	.8	7.9	31.0	8					
CCFE 5/8	CCFE 5/8 S											203					
CCFE 5/8 B	CCFE 5/8 SB																
CFH 5/8	CFH 5/8 S	.625	+0/-0.001	.438	+0 / -.005	.3125	+0.01/-0	.75	.031	.31	1.22	Cylindrical	N/A	N/A	N/A	955 4,248	2,480 11,031
CFH 5/8 B	CFH 5/8 SB	15.88	+0/-0.03	11.11	+0 / -.13	7.94	+0.03/-0	19.1	.8	7.9	31.0	8					
CCFH 5/8	CCFH 5/8 S											203					
CCFH 5/8 B	CCFH 5/8 SB																
CF 5/8 N	CF 5/8 N S	.625	+0/-0.001	.406	+0 / -.005	.250	+0.01/-0	.63	.031	.31	1.06	Cylindrical	N/A	N/A	N/A	930 4,137	1,085 4,826
CF 5/8 N B	CF 5/8 N SB	15.88	+0/-0.03	10.31	+0 / -.13	6.35	+0.03/-0	15.9	.8	7.9	27.0	7					
CCF 5/8 N	CCF 5/8 N S											178					
CCF 5/8 N B	CCF 5/8 N SB																
CFE 5/8 N	CFE 5/8 N S	.625	+0/-0.001	.406	+0 / -.005	.250	+0.01/-0	.63	.031	.31	1.06	Cylindrical	.015	.437	.375	930 4,137	1,085 4,826
CFE 5/8 N B	CFE 5/8 N SB	15.88	+0/-0.03	10.31	+0 / -.13	6.35	+0.03/-0	15.9	.8	7.9	27.0	7					
CCFE 5/8 N	CCFE 5/8 N S											178					
CCFE 5/8 N B	CCFE 5/8 N SB																
CF 11/16	CF 11/16 S	.688	+0/-0.001	.438	+0 / -.005	.250	+0.01/-0	.75	.031	.31	1.22	Cylindrical	N/A	N/A	N/A	955 4,248	1,215 5,404
CF 11/16 B	CF 11/16 SB	17.46	+0/-0.03	11.11	+0 / -.13	6.35	+0.03/-0	19.1	.8	7.9	31.0	8					
CCF 11/16	CCF 11/16 S											203					
CCF 11/16 B	CCF 11/16 SB																
CFE 11/16	CFE 11/16 S	.688	+0/-0.001	.438	+0 / -.005	.250	+0.01/-0	.75	.031	.31	1.22	Cylindrical	.015	.437	.375	955 4,248	1,215 5,404
CFE 11/16 B	CFE 11/16 SB	17.46	+0/-0.03	11.11	+0 / -.13	6.35	+0.03/-0	19.1	.8	7.9	31.0	8					
CCFE 11/16	CCFE 11/16 S											203					
CCFE 11/16 B	CCFE 11/16 SB																

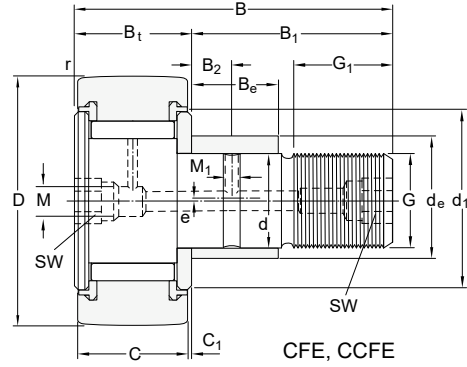


B ₂	M ₁	SW	d ₁	r	HBD		G	M _A	nDG	Mass	Designation	
Distance lubrication hole to washer face	Diameter of lubrication hole (shank)	Width of flats	Thrust washer outside diameter	Minimum Fillet radius	Housing Bore Diameter		Thread Type	Clamping Torque	Limiting Speed (Grease)	Bearing Weight	W/O Seals	With Seals
inch mm			inch mm		inch mm			in-lb Nm	RPM	lb kg		
(Ref)	(Ref)	(Ref)	(Ref)	(Ref)	Nom.	Tol.						
-	-	.125 3.175	.410 10.41	.016 .40 N/A	.1903 4.834	+0.002/-0.003 +0.005/-0.008	10-32	15 2	11,500	.04 .02	CF 1/2 CF 1/2 B CCF 1/2 CCF 1/2 B	CF 1/2 S CF 1/2 SB CCF 1/2 S CCF 1/2 SB
-	-	.125 3.175	.410 10.41	.016 .40 N/A	.253 6.42	+0.001/-0.001 +0.025/-0.025	10-32	15 2	11,500	.04 .02	CFE 1/2 CFE 1/2 B CCFE 1/2 CCFE 1/2 B	CFE 1/2 S CFE 1/2 SB CCFE 1/2 S CCFE 1/2 SB
-	-	.125 3.175	.410 10.41	.016 .40 N/A	.2503 6.358	+0.002/-0.003 +0.005/-0.008	1/4-28	35 4	11,500	.04 .02	CFH 1/2 CFH 1/2 B CCFH 1/2 CCFH 1/2 B	CFH 1/2 S CFH 1/2 SB CCFH 1/2 S CCFH 1/2 SB
-	-	.125 3.175	.410 10.41	.016 .40 N/A	.1903 4.834	+0.002/-0.003 +0.005/-0.008	10-32	15 2	11,500	.04 .02	CF 1/2 N CF 1/2 N B CCF 1/2 N CCF 1/2 N B	CF 1/2 N S CF 1/2 N SB CCF 1/2 N S CCF 1/2 N SB
-	-	.125 3.175	.410 10.41	.016 .40 N/A	.253 6.42	+0.001/-0.001 +0.025/-0.025	10-32	15 2	11,500	.04 .02	CFE 1/2 N CFE 1/2 N B CCFE 1/2 N CCFE 1/2 N B	CFE 1/2 N S CFE 1/2 N SB CCFE 1/2 N S CCFE 1/2 N SB
-	-	.125 3.175	.410 10.41	.016 .40 N/A	.1903 4.834	+0.002/-0.003 +0.005/-0.008	10-32	15 2	10,000	.04 .02	CF 9/16 CF 9/16 B CCF 9/16 CCF 9/16 B	CF 9/16 S CF 9/16 SB CCF 9/16 S CCF 9/16 SB
-	-	.125 3.175	.410 10.41	.016 .40 N/A	.253 6.42	+0.001/-0.001 +0.025/-0.025					CFE 9/16 CFE 9/16 B CCFE 9/16 CCFE 9/16 B	CFE 9/16 S CFE 9/16 SB CCFE 9/16 S CCFE 9/16 SB
-	-	.125 3.175	.410 10.41	.016 .40 N/A	.2503 6.358	+0.002/-0.003 +0.005/-0.008	1/4-28	35 4	10,000	.04 .02	CFH 9/16 CFH 9/16 B CCFH 9/16 CCFH 9/16 B	CFH 9/16 S CFH 9/16 SB CCFH 9/16 S CCFH 9/16 SB
-	-	.125 3.175	.462 11.73	.016 .40 N/A	.2503 6.358	+0.002/-0.003 +0.005/-0.008	1/4-28	35 4	9,200	.05 .02	CF 5/8 CF 5/8 B CCF 5/8 CCF 5/8 B	CF 5/8 S CF 5/8 SB CCF 5/8 S CCF 5/8 SB
-	-	.125 3.175	.462 11.73	.016 .40 N/A	.378 9.60	+0.001/-0.001 +0.025/-0.025					CFE 5/8 CFE 5/8 B CCFE 5/8 CCFE 5/8 B	CFE 5/8 S CFE 5/8 SB CCFE 5/8 S CCFE 5/8 SB
-	-	.125 3.175	.462 11.73	.016 .40 N/A	.3128 7.945	+0.002/-0.003 +0.005/-0.008	5/16-24	90 10	9,200	.05 .02	CFH 5/8 CFH 5/8 B CCFH 5/8 CCFH 5/8 B	CFH 5/8 S CFH 5/8 SB CCFH 5/8 S CCFH 5/8 SB
-	-	.125 3.175	.462 11.73	.016 .40 N/A	.2503 6.358	+0.002/-0.003 +0.005/-0.008	1/4-28	35 4	9,200	.05 .02	CF 5/8 N CF 5/8 N B CCF 5/8 N CCF 5/8 N B	CF 5/8 N S CF 5/8 N SB CCF 5/8 N S CCF 5/8 N SB
-	-	.125 3.175	.462 11.73	.016 .40 N/A	.2503 6.358	+0.002/-0.003 +0.005/-0.008	1/4-28	35 4	9,200	.05 .02	CFE 5/8 N CFE 5/8 N B CCFE 5/8 N CCFE 5/8 N B	CFE 5/8 N S CFE 5/8 N SB CCFE 5/8 N S CCFE 5/8 N SB
-	-	.125 3.175	.462 11.73	.016 .40 N/A	.2503 6.358	+0.002/-0.003 +0.005/-0.008	1/4-28	35 4	8,300	.06 .03	CF 11/16 CF 11/16 B CCF 11/16 CCF 11/16 B	CF 11/16 S CF 11/16 SB CCF 11/16 S CCF 11/16 SB
-	-	.125 3.175	.462 11.73	.016 .40 N/A	.378 9.60	+0.001/-0.001 +0.025/-0.025					CFE 11/16 CFE 11/16 B CCFE 11/16 CCFE 11/16 B	CFE 11/16 S CFE 11/16 SB CCFE 11/16 S CCFE 11/16 SB

Inch Cam Followers

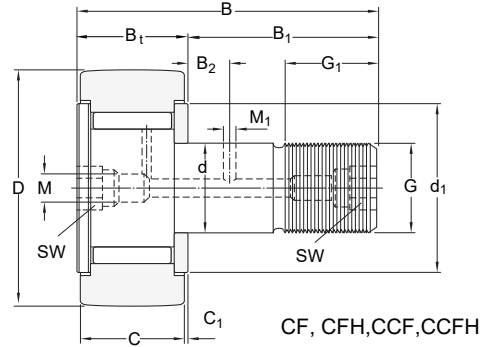


Designation		D		C		d		B ₁	C ₁	G ₁	B	R	e	Be	de	Max. dynamic radial loads	Max. static radial loads		
W/O Seals	With Seals	Outside diameter		Outer ring width		Stud diameter		Stud length	Distance outer ring face to washer face	Min thread length	Total length	Crown	Eccentric						
		inch mm		inch mm		inch mm		inch mm	inch mm	inch mm	inch mm	Prefix CCF-XX	Base modifier CFE-XX						
		Nom.	Tol.	Nom.	Tol.	Nom.	Tol.	(Ref)	(Ref)	(Ref)	(Ref)	Radius (Ref)	(Ref)	+0/-010	±.001			Fr	For
CFH 11/16	CFH 11/16 S	.688	+0/-0.001	.438	+0 / -.005	.3125	+0.01/-0	.75	.031	.31	1.22	Cylindrical	N/A	N/A	N/A	955	2,480		
CFH 11/16 B	CFH 11/16 SB	17.46	+0/-0.03	11.11	+0 / -.13	7.94	+0.03/-0	19.1	.8	7.9	31.0	8				4,248	11,031		
CCFH 11/16	CCFH 11/16 S											203							
CCFH 11/16 B	CCFH 11/16 SB																		
CF 3/4	CF 3/4 S	.750	+0/-0.001	.500	+0 / -.005	.375	+0.01/-0	.88	.031	.38	1.41	Cylindrical	N/A	N/A	N/A	1,660	2,065		
CF 3/4 B	CF 3/4 SB	19.05	+0/-0.03	12.70	+0 / -.13	9.53	+0.03/-0	22.2	.8	9.5	35.7	10			7,384			9,185	
CCF 3/4	CCF 3/4 S											254							
CCF 3/4 B	CCF 3/4 SB																		
CFE 3/4	CFE 3/4 S	.750	+0/-0.001	.500	+0 / -.005	.375	+0.01/-0	.88	.031	.38	1.41	Cylindrical	.015	.500	.500	1,660	2,065		
CFE 3/4 B	CFE 3/4 SB	19.05	+0/-0.03	12.70	+0 / -.13	9.53	+0.03/-0	22.2	.8	9.5	35.7	10	.38	12.70	12.70			7,384	9,185
CCFE 3/4	CCFE 3/4 S											254							
CCFE 3/4 B	CCFE 3/4 SB																		
CFH 3/4	CFH 3/4 S	.750	+0/-0.001	.500	+0 / -.005	.4375	+0.01/-0	.88	.031	.38	1.41	Cylindrical	N/A	N/A	N/A	1,660	4,130		
CFH 3/4 B	CFH 3/4 SB	19.05	+0/-0.03	12.70	+0 / -.13	11.11	+0.03/-0	22.2	.8	9.5	35.7	10				7,384	18,370		
CCFH 3/4	CCFH 3/4 S											254							
CCFH 3/4 B	CCFH 3/4 SB																		
CF 7/8	CF 7/8 S	.875	+0/-0.001	.500	+0 / -.005	.375	+0.01/-0	.88	.031	.38	1.41	Cylindrical	N/A	N/A	N/A	1,660	2,065		
CF 7/8 B	CF 7/8 SB	22.23	+0/-0.03	12.70	+0 / -.13	9.53	+0.03/-0	22.2	.8	9.5	35.7	10			7,384			9,185	
CCF 7/8	CCF 7/8 S											254							
CCF 7/8 B	CCF 7/8 SB																		
CFE 7/8	CFE 7/8 S	.875	+0/-0.001	.500	+0 / -.005	.375	+0.01/-0	.88	.031	.38	1.41	Cylindrical	.015	.500	.500	1,660	2,065		
CFE 7/8 B	CFE 7/8 SB	22.23	+0/-0.03	12.70	+0 / -.13	9.53	+0.03/-0	22.2	.8	9.5	35.7	10	.38	12.70	12.70			7,384	9,185
CCFE 7/8	CCFE 7/8 S											254							
CCFE 7/8 B	CCFE 7/8 SB																		
CFH 7/8	CFH 7/8 S	.875	+0/-0.001	.500	+0 / -.005	.4375	+0.01/-0	.88	.031	.38	1.41	Cylindrical	N/A	N/A	N/A	1,660	4,130		
CFH 7/8 B	CFH 7/8 SB	22.23	+0/-0.03	12.70	+0 / -.13	11.11	+0.03/-0	22.2	.8	9.5	35.7	10				7,384	18,370		
CCFH 7/8	CCFH 7/8 S											254							
CCFH 7/8 B	CCFH 7/8 SB																		
CF 1	CF 1 S	1.000	+0/-0.001	.625	+0 / -.005	.4375	+0.01/-0	1.00	.031	.50	1.66	Cylindrical	N/A	N/A	N/A	2,225	3,060		
CF 1 B	CF 1 SB	25.40	+0/-0.03	15.88	+0 / -.13	11.11	+0.03/-0	25.4	.8	12.7	42.1	12			305			9,897	13,611
CCF 1	CCF 1 S											305							
CCF 1 B	CCF 1 SB																		
CFE 1	CFE 1 S	1.000	+0/-0.001	.625	+0 / -.005	.4375	+0.01/-0	1.00	.031	.50	1.66	Cylindrical	.030	.500	.625	2,225	3,060		
CFE 1 B	CFE 1 SB	25.40	+0/-0.03	15.88	+0 / -.13	11.11	+0.03/-0	25.4	.8	12.7	42.1	12	.76	12.70	15.88			9,897	13,611
CCFE 1	CCFE 1 S											305							
CCFE 1 B	CCFE 1 SB																		
CFH 1	CFH 1 S	1.000	+0/-0.001	.625	+0 / -.005	.625	+0.01/-0	1.00	.031	.50	1.66	Cylindrical	N/A	N/A	N/A	2,225	6,120		
CFH 1 B	CFH 1 SB	25.40	+0/-0.03	15.88	+0 / -.13	15.88	+0.03/-0	25.4	.8	12.7	42.1	12				9,897	27,222		
CCFH 1	CCFH 1 S											305							
CCFH 1 B	CCFH 1 SB																		
CF 1 1/8	CF 1 1/8 S	1.125	+0/-0.001	.625	+0 / -.005	.4375	+0.01/-0	1.00	.031	.50	1.66	Cylindrical	N/A	N/A	N/A	2,225	3,060		
CF 1 1/8 B	CF 1 1/8 SB	28.58	+0/-0.03	15.88	+0 / -.13	11.11	+0.03/-0	25.4	.8	12.7	42.1	12			305			9,897	13,611
CCF 1 1/8	CCF 1 1/8 S											305							
CCF 1 1/8 B	CCF 1 1/8 SB																		
CFE 1 1/8	CFE 1 1/8 S	1.125	+0/-0.001	.625	+0 / -.005	.4375	+0.01/-0	1.00	.031	.50	1.66	Cylindrical	.030	.500	.625	2,225	3,060		
CFE 1 1/8 B	CFE 1 1/8 SB	28.58	+0/-0.03	15.88	+0 / -.13	11.11	+0.03/-0	25.4	.8	12.7	42.1	12	.76	12.70	15.88			9,897	13,611
CCFE 1 1/8	CCFE 1 1/8 S											305							
CCFE 1 1/8 B	CCFE 1 1/8 SB																		
CFH 1 1/8	CFH 1 1/8 S	1.125	+0/-0.001	.625	+0 / -.005	.625	+0.01/-0	1.00	.031	.50	1.66	Cylindrical	N/A	N/A	N/A	2,225	6,120		
CFH 1 1/8 B	CFH 1 1/8 SB	28.58	+0/-0.03	15.88	+0 / -.13	15.88	+0.03/-0	25.4	.8	12.7	42.1	12				9,897	27,222		
CCFH 1 1/8	CCFH 1 1/8 S											305							
CCFH 1 1/8 B	CCFH 1 1/8 SB																		
CF 1 1/4	CF 1 1/4 S	1.250	+0/-0.001	.750	+0 / -.005	.500	+0.01/-0	1.25	.031	.63	2.03	Cylindrical	N/A	N/A	N/A	3,930	4,250		
CF 1 1/4 B	CF 1 1/4 SB	31.75	+0/-0.03	19.05	+0 / -.13	12.70	+0.03/-0	31.8	.8	15.9	51.6	14			356			17,481	18,904
CCF 1 1/4	CCF 1 1/4 S											356							
CCF 1 1/4 B	CCF 1 1/4 SB																		
CFE 1 1/4	CFE 1 1/4 S	1.250	+0/-0.001	.750	+0 / -.005	.500	+0.01/-0	1.25	.031	.63	2.03	Cylindrical	.030	.625	.687	3,930	4,250		
CFE 1 1/4 B	CFE 1 1/4 SB	31.75	+0/-0.03	19.05	+0 / -.13	12.70	+0.03/-0	31.8	.8	15.9	51.6	14	.76	15.88	17.45			17,481	18,904
CCFE 1 1/4	CCFE 1 1/4 S											356							
CCFE 1 1/4 B	CCFE 1 1/4 SB																		

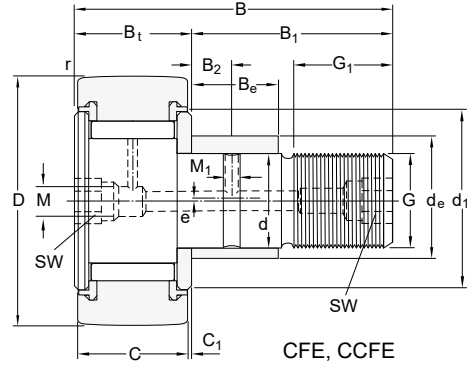


B ₂	M ₁	SW	d ₁	r	HBD		G	M _A	nDG	Mass	Designation	
Distance lubrication hole to washer face	Diameter of lubrication hole (shank)	Width of flats	Thrust washer outside diameter	Minimum Fillet radius	Housing Bore Diameter		Thread Type	Clamping Torque	Limiting Speed (Grease)	Bearing Weight	W/O Seals	With Seals
inch mm			inch mm		inch mm			in-lb Nm	RPM	lb kg		
(Ref)	(Ref)	(Ref)	(Ref)	(Ref)	Nom.	Tol.						
-	-	.125 3.175	.462 11.73	.016 .40 N/A	.3128 7.945	+0.0002/-0.0003 +0.0005/-0.0008	5/16-24	90 10	8,300	.06 .03	CFH 11/16 CFH 11/16 B CCFH 11/16 CCFH 11/16 B	CFH 11/16 S CFH 11/16 SB CCFH 11/16 S CCFH 11/16 SB
.25 6	.0938 2	.1875 5	.609 15.48	.016 .40 N/A	.3753 9.533	+0.0002/-0.0003 +0.0005/-0.0008	3/8-24	95 11	6,400	.07 .03	CF 3/4 CF 3/4 B CCF 3/4 CCF 3/4 B	CF 3/4 S CF 3/4 SB CCF 3/4 S CCF 3/4 SB
.25 6	.0938 2	.1875 5	.609 15.48	.016 .40 N/A	.503 12.77	+0.001/-0.001 +0.025/-0.025					CFE 3/4 CFE 3/4 B CCFE 3/4 CCFE 3/4 B	CFE 3/4 S CFE 3/4 SB CCFE 3/4 S CCFE 3/4 SB
.25 6	.0938 2	.1875 5	.609 15.48	.016 .40 N/A	.4378 11.120	+0.0002/-0.0003 +0.0005/-0.0008	7/16-20	250 28	6,400	.08 .04	CFH 3/4 CFH 3/4 B CCFH 3/4 CCFH 3/4 B	CFH 3/4 S CFH 3/4 SB CCFH 3/4 S CCFH 3/4 SB
.25 6	.0938 2	.1875 5	.609 15.48	.016 .40 N/A	.3753 9.533	+0.0002/-0.0003 +0.0005/-0.0008	3/8-24	95 11	5,400	.09 .04	CF 7/8 CF 7/8 B CCF 7/8 CCF 7/8 B	CF 7/8 S CF 7/8 SB CCF 7/8 S CCF 7/8 SB
.25 6	.0938 2	.1875 5	.609 15.48	.016 .40 N/A	.503 12.77	+0.001/-0.001 +0.025/-0.025					CFE 7/8 CFE 7/8 B CCFE 7/8 CCFE 7/8 B	CFE 7/8 S CFE 7/8 SB CCFE 7/8 S CCFE 7/8 SB
.25 6	.0938 2	.1875 5	.609 15.48	.016 .40 N/A	.4378 11.120	+0.0002/-0.0003 +0.0005/-0.0008	7/16-20	250 28	5,400	.11 .05	CFH 7/8 CFH 7/8 B CCFH 7/8 CCFH 7/8 B	CFH 7/8 S CFH 7/8 SB CCFH 7/8 S CCFH 7/8 SB
.25 6	.0938 2	.1875 5	.781 19.84	.031 .79 N/A	.4378 11.120	+0.0002/-0.0003 +0.0005/-0.0008	7/16-20	250 28	4,800	.17 .08	CF 1 CF 1 B CCF 1 CCF 1 B	CF 1 S CF 1 SB CCF 1 S CCF 1 SB
.25 6	.0938 2	.1875 5	.781 19.84	.031 .79 N/A	.628 15.95	+0.001/-0.001 +0.025/-0.025					CFE 1 CFE 1 B CCFE 1 CCFE 1 B	CFE 1 S CFE 1 SB CCFE 1 S CCFE 1 SB
.25 6	.0938 2	.1875 5	.781 19.84	.031 .79 N/A	.6253 15.883	+0.0002/-0.0003 +0.0005/-0.0008	5/8-18	650 73	4,800	.20 .09	CFH 1 CFH 1 B CCFH 1 CCFH 1 B	CFH 1 S CFH 1 SB CCFH 1 S CCFH 1 SB
.25 6	.0938 2	.1875 5	.781 19.84	.031 .79 N/A	.4378 11.120	+0.0002/-0.0003 +0.0005/-0.0008	7/16-20	250 28	3,400	.19 .09	CF 1 1/8 CF 1 1/8 B CCF 1 1/8 CCF 1 1/8 B	CF 1 1/8 S CF 1 1/8 SB CCF 1 1/8 S CCF 1 1/8 SB
.25 6	.0938 2	.1875 5	.781 19.84	.031 .79 N/A	.628 15.95	+0.001/-0.001 +0.025/-0.025					CFE 1 1/8 CFE 1 1/8 B CCFE 1 1/8 CCFE 1 1/8 B	CFE 1 1/8 S CFE 1 1/8 SB CCFE 1 1/8 S CCFE 1 1/8 SB
.25 6	.0938 2	.1875 5	.781 19.84	.031 .79 N/A	.6253 15.883	+0.0002/-0.0003 +0.0005/-0.0008	5/8-18	650 73	3,400	.24 .11	CFH 1 1/8 CFH 1 1/8 B CCFH 1 1/8 CCFH 1 1/8 B	CFH 1 1/8 S CFH 1 1/8 SB CCFH 1 1/8 S CCFH 1 1/8 SB
.3125 8	.0938 2	.1875 5	.984 25.00	.031 .79 N/A	.5003 12.708	+0.0002/-0.0003 +0.0005/-0.0008	1/2-20	350 40	3,100	.30 .14	CF 1 1/4 CF 1 1/4 B CCF 1 1/4 CCF 1 1/4 B	CF 1 1/4 S CF 1 1/4 SB CCF 1 1/4 S CCF 1 1/4 SB
.3125 8	.0938 2	.1875 5	.984 25.00	.031 .79 N/A	.690 17.52	+0.001/-0.001 +0.025/-0.025					CFE 1 1/4 CFE 1 1/4 B CCFE 1 1/4 CCFE 1 1/4 B	CFE 1 1/4 S CFE 1 1/4 SB CCFE 1 1/4 S CCFE 1 1/4 SB

Inch Cam Followers

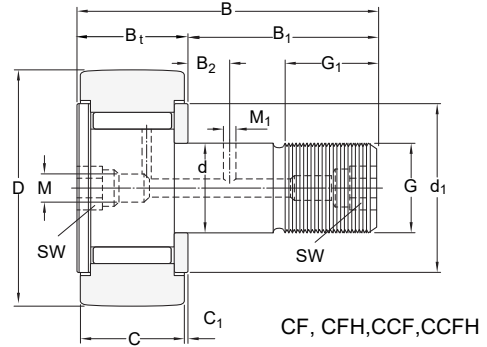


Designation		D		C		d		B ₁	C ₁	G ₁	B	R	e	Be	de	Max. dynamic radial loads	Max. static radial loads
W/O Seals	With Seals	Outside diameter		Outer ring width		Stud diameter		Stud length	Distance outer ring face to washer face	Min thread length	Total length	Crown	Eccentric				
		inch mm		inch mm		inch mm		inch mm	inch mm	inch mm	inch mm	Prefix CCF-XX	Base modifier CFE-XX				
		Nom.	Tol.	Nom.	Tol.	Nom.	Tol.	(Ref)	(Ref)	(Ref)	(Ref)	Radius (Ref)	(Ref)	+0/-010	±.001		
CFH 1 1/4	CFH 1 1/4 S	1.250	+0/-0.001	.750	+0 / -.005	.750	+0.01/-0	1.25	.031	.63	2.03	Cylindrical	N/A	N/A	N/A	3,930	8,500
CFH 1 1/4 B	CFH 1 1/4 SB	31.75	+0/-0.03	19.05	+0 / -.13	19.05	+0.03/-0	31.8	.8	15.9	51.6	14 356	N/A	N/A	N/A	17,481	37,808
CCFH 1 1/4	CCFH 1 1/4 S																
CCFH 1 1/4 B	CCFH 1 1/4 SB																
CF 1 3/8	CF 1 3/8 S	1.375	+0/-0.001	.750	+0 / -.005	.500	+0.01/-0	1.25	.031	.63	2.03	Cylindrical	N/A	N/A	N/A	3,930	4,250
CF 1 3/8 B	CF 1 3/8 SB	34.93	+0/-0.03	19.05	+0 / -.13	12.70	+0.03/-0	31.8	.8	15.9	51.6	14 356	N/A	N/A	N/A	17,481	18,904
CCF 1 3/8	CCF 1 3/8 S																
CCF 1 3/8 B	CCF 1 3/8 SB																
CFE 1 3/8	CFE 1 3/8 S	1.375	+0/-0.001	.750	+0 / -.005	.500	+0.01/-0	1.25	.031	.63	2.03	Cylindrical	.030	.625	.687	3,930	4,250
CFE 1 3/8 B	CFE 1 3/8 SB	34.93	+0/-0.03	19.05	+0 / -.13	12.70	+0.03/-0	31.8	.8	15.9	51.6	14 356	.76	15.88	17.45	17,481	18,904
CCFE 1 3/8	CCFE 1 3/8 S																
CCFE 1 3/8 B	CCFE 1 3/8 SB																
CFH 1 3/8	CFH 1 3/8 S	1.375	+0/-0.001	.750	+0 / -.005	.750	+0.01/-0	1.25	.031	.63	2.03	Cylindrical	N/A	N/A	N/A	3,930	8,500
CFH 1 3/8 B	CFH 1 3/8 SB	34.93	+0/-0.03	19.05	+0 / -.13	19.05	+0.03/-0	31.8	.8	15.9	51.6	14 356	N/A	N/A	N/A	17,481	37,808
CCFH 1 3/8	CCFH 1 3/8 S																
CCFH 1 3/8 B	CCFH 1 3/8 SB																
CF 1 1/2	CF 1 1/2 S	1.500	+0/-0.001	.875	+0 / -.005	.625	+0.01/-0	1.50	.031	.75	2.41	Cylindrical	N/A	N/A	N/A	4,840	5,640
CF 1 1/2 B	CF 1 1/2 SB	38.10	+0/-0.03	22.23	+0 / -.13	15.88	+0.03/-0	38.1	.8	19.1	61.1	20 508	N/A	N/A	N/A	21,528	25,087
CCF 1 1/2	CCF 1 1/2 S																
CCF 1 1/2 B	CCF 1 1/2 SB																
CFE 1 1/2	CFE 1 1/2 S	1.500	+0/-0.001	.875	+0 / -.005	.625	+0.01/-0	1.50	.031	.75	2.41	Cylindrical	.030	.750	.875	4,840	5,640
CFE 1 1/2 B	CFE 1 1/2 SB	38.10	+0/-0.03	22.23	+0 / -.13	15.88	+0.03/-0	38.1	.8	19.1	61.1	20 508	.76	19.05	22.23	21,528	25,087
CCFE 1 1/2	CCFE 1 1/2 S																
CCFE 1 1/2 B	CCFE 1 1/2 SB																
CFH 1 1/2	CFH 1 1/2 S	1.500	+0/-0.001	.875	+0 / -.005	.875	+0.01/-0	1.50	.031	.75	2.41	Cylindrical	N/A	N/A	N/A	4,840	11,280
CFH 1 1/2 B	CFH 1 1/2 SB	38.10	+0/-0.03	22.23	+0 / -.13	22.23	+0.03/-0	38.1	.8	19.1	61.1	20 508	N/A	N/A	N/A	21,528	50,173
CCFH 1 1/2	CCFH 1 1/2 S																
CCFH 1 1/2 B	CCFH 1 1/2 SB																
CF 1 5/8	CF 1 5/8 S	1.625	+0/-0.001	.875	+0 / -.005	.625	+0.01/-0	1.50	.031	.75	2.41	Cylindrical	N/A	N/A	N/A	4,840	5,640
CF 1 5/8 B	CF 1 5/8 SB	41.28	+0/-0.03	22.23	+0 / -.13	15.88	+0.03/-0	38.1	.8	19.1	61.1	20 508	N/A	N/A	N/A	21,528	25,087
CCF 1 5/8	CCF 1 5/8 S																
CCF 1 5/8 B	CCF 1 5/8 SB																
CFE 1 5/8	CFE 1 5/8 S	1.625	+0/-0.001	.875	+0 / -.005	.625	+0.01/-0	1.50	.031	.75	2.41	Cylindrical	.030	.750	.875	4,840	5,640
CFE 1 5/8 B	CFE 1 5/8 SB	41.28	+0/-0.03	22.23	+0 / -.13	15.88	+0.03/-0	38.1	.8	19.1	61.1	20 508	.76	19.05	22.23	21,528	25,087
CCFE 1 5/8	CCFE 1 5/8 S																
CCFE 1 5/8 B	CCFE 1 5/8 SB																
CFH 1 5/8	CFH 1 5/8 S	1.625	+0/-0.001	.875	+0 / -.005	.875	+0.01/-0	1.50	.031	.75	2.41	Cylindrical	N/A	N/A	N/A	4,840	11,280
CFH 1 5/8 B	CFH 1 5/8 SB	41.28	+0/-0.03	22.23	+0 / -.13	22.23	+0.03/-0	38.1	.8	19.1	61.1	20 508	N/A	N/A	N/A	21,528	50,173
CCFH 1 5/8	CCFH 1 5/8 S																
CCFH 1 5/8 B	CCFH 1 5/8 SB																
CF 1 3/4	CF 1 3/4 S	1.750	+0/-0.001	1.000	+0 / -.005	.750	+0.01/-0	1.75	.031	.88	2.78	Cylindrical	N/A	N/A	N/A	6,385	7,920
CF 1 3/4 B	CF 1 3/4 SB	44.45	+0/-0.03	25.40	+0 / -.13	19.05	+0.03/-0	44.5	.8	22.2	70.6	20 508	N/A	N/A	N/A	28,400	35,228
CCF 1 3/4	CCF 1 3/4 S																
CCF 1 3/4 B	CCF 1 3/4 SB																
CFE 1 3/4	CFE 1 3/4 S	1.750	+0/-0.001	1.000	+0 / -.005	.750	+0.01/-0	1.75	.031	.88	2.78	Cylindrical	.030	.875	1.000	6,385	7,920
CFE 1 3/4 B	CFE 1 3/4 SB	44.45	+0/-0.03	25.40	+0 / -.13	19.05	+0.03/-0	44.5	.8	22.2	70.6	20 508	.76	22.23	25.40	28,400	35,228
CCFE 1 3/4	CCFE 1 3/4 S																
CCFE 1 3/4 B	CCFE 1 3/4 SB																
CFH 1 3/4	CFH 1 3/4 S	1.750	+0/-0.001	1.000	+0 / -.005	1.000	+0.01/-0	1.75	.031	.88	2.78	Cylindrical	N/A	N/A	N/A	6,385	15,840
CFH 1 3/4 B	CFH 1 3/4 SB	44.45	+0/-0.03	25.40	+0 / -.13	25.40	+0.03/-0	44.5	.8	22.2	70.6	20 508	N/A	N/A	N/A	28,400	70,456
CCFH 1 3/4	CCFH 1 3/4 S																
CCFH 1 3/4 B	CCFH 1 3/4 SB																
CF 1 7/8	CF 1 7/8 S	1.875	+0/-0.001	1.000	+0 / -.005	.750	+0.01/-0	1.75	.031	.88	2.78	Cylindrical	N/A	N/A	N/A	6,385	7,920
CF 1 7/8 B	CF 1 7/8 SB	47.63	+0/-0.03	25.40	+0 / -.13	19.05	+0.03/-0	44.5	.8	22.2	70.6	20 508	N/A	N/A	N/A	28,400	35,228
CCF 1 7/8	CCF 1 7/8 S																
CCF 1 7/8 B	CCF 1 7/8 SB																
CFE 1 7/8	CFE 1 7/8 S	1.875	+0/-0.001	1.000	+0 / -.005	.750	+0.01/-0	1.75	.031	.88	2.78	Cylindrical	.030	.875	1.000	6,385	7,920
CFE 1 7/8 B	CFE 1 7/8 SB	47.63	+0/-0.03	25.40	+0 / -.13	19.05	+0.03/-0	44.5	.8	22.2	70.6	20 508	.76	22.23	25.40	28,400	35,228
CCFE 1 7/8	CCFE 1 7/8 S																
CCFE 1 7/8 B	CCFE 1 7/8 SB																

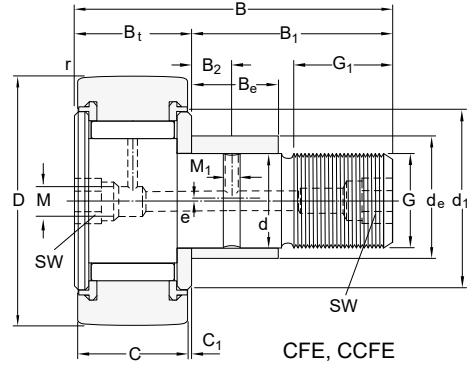


B ₂	M ₁	SW	d ₁	r	HBD		G	M _A	nDG	Mass	Designation	
Distance lubrication hole to washer face	Diameter of lubrication hole (shank)	Width of flats	Thrust washer outside diameter	Minimum Fillet radius	Housing Bore Diameter		Thread Type	Clamping Torque	Limiting Speed (Grease)	Bearing Weight	W/O Seals	With Seals
inch mm			inch mm	inch mm			in-lb Nm	RPM	lb kg			
(Ref)	(Ref)	(Ref)	(Ref)	(Ref)	Nom.	Tol.						
.3125 8	.0938 2	.1875 5	.984 25.00	.031 .79	.7503 19.058	+0.002/-0.003 +0.005/-0.008	3/4-16	1,250 141	3,100	.38 .17	CFH 1 1/4	CFH 1 1/4 S
				N/A							CFH 1 1/4 B	CFH 1 1/4 SB
.3125 8	.0938 2	.1875 5	.984 25.00	.047 1.19	.5003 12.708	+0.002/-0.003 +0.005/-0.008	1/2-20	350 40	2,800	.35 .16	CF 1 3/8	CF 1 3/8 S
				N/A							CF 1 3/8 B	CF 1 3/8 SB
.3125 8	.0938 2	.1875 5	.984 25.00	.047 1.19	.690 17.52	+0.001/-0.001 +0.025/-0.025	1/2-20	350 40	2,800	.35 .16	CFE 1 3/8	CFE 1 3/8 S
				N/A							CFE 1 3/8 B	CFE 1 3/8 SB
.3125 8	.0938 2	.1875 5	.984 25.00	.047 1.19	.7503 19.058	+0.002/-0.003 +0.005/-0.008	3/4-16	1,250 141	2,800	.44 .19	CFH 1 3/8	CFH 1 3/8 S
				N/A							CFH 1 3/8 B	CFH 1 3/8 SB
.375 10	.0938 2	.1875 5	1.094 27.78	.063 1.59	.6253 15.883	+0.002/-0.003 +0.005/-0.008	5/8-18	650 73	2,500	.53 .24	CF 1 1/2	CF 1 1/2 S
				N/A							CF 1 1/2 B	CF 1 1/2 SB
.375 10	.0938 2	.1875 5	1.094 27.78	.063 1.59	.878 22.30	+0.001/-0.001 +0.025/-0.025	5/8-18	650 73	2,500	.53 .24	CFE 1 1/2	CFE 1 1/2 S
				N/A							CFE 1 1/2 B	CFE 1 1/2 SB
.375 10	.0938 2	.1875 5	1.094 27.78	.063 1.59	.8753 22.233	+0.002/-0.003 +0.005/-0.008	7/8-14	1,500 170	2,500	.69 .31	CFH 1 1/2	CFH 1 1/2 S
				N/A							CFH 1 1/2 B	CFH 1 1/2 SB
.375 10	.0938 2	.1875 5	1.094 27.78	.063 1.59	.6253 15.883	+0.002/-0.003 +0.005/-0.008	5/8-18	650 73	2,350	.60 .27	CF 1 5/8	CF 1 5/8 S
				N/A							CF 1 5/8 B	CF 1 5/8 SB
.375 10	.0938 2	.1875 5	1.094 27.78	.063 1.59	.878 22.30	+0.001/-0.001 +0.025/-0.025	5/8-18	650 73	2,350	.60 .27	CFE 1 5/8	CFE 1 5/8 S
				N/A							CFE 1 5/8 B	CFE 1 5/8 SB
.375 10	.0938 2	.1875 5	1.094 27.78	.063 1.59	.8753 22.233	+0.002/-0.003 +0.005/-0.008	7/8-14	1,500 170	2,350	.75 .34	CFH 1 5/8	CFH 1 5/8 S
				N/A							CFH 1 5/8 B	CFH 1 5/8 SB
.4375 11	.125 3	.1875 5	1.250 31.75	.063 1.59	.7503 19.058	+0.002/-0.003 +0.005/-0.008	3/4-16	1,250 141	2,200	.84 .38	CF 1 3/4	CF 1 3/4 S
				N/A							CF 1 3/4 B	CF 1 3/4 SB
.4375 11	.125 3	.1875 5	1.250 31.75	.063 1.59	1.003 25.47	+0.001/-0.001 +0.025/-0.025	3/4-16	1,250 141	2,200	.84 .38	CFE 1 3/4	CFE 1 3/4 S
				N/A							CFE 1 3/4 B	CFE 1 3/4 SB
.4375 11	.125 3	.1875 5	1.250 31.75	.063 1.59	1.0003 25.408	+0.002/-0.003 +0.005/-0.008	1-14	2,250 254	2,200	1.00 .45	CFH 1 3/4	CFH 1 3/4 S
				N/A							CFH 1 3/4 B	CFH 1 3/4 SB
.4375 11	.125 3	.1875 5	1.250 31.75	.063 1.59	.7503 19.058	+0.002/-0.003 +0.005/-0.008	3/4-16	1,250 141	2,000	.95 .43	CF 1 7/8	CF 1 7/8 S
				N/A							CF 1 7/8 B	CF 1 7/8 SB
.4375 11	.125 3	.1875 5	1.250 31.75	.063 1.59	1.003 25.47	+0.001/-0.001 +0.025/-0.025	3/4-16	1,250 141	2,000	.95 .43	CFE 1 7/8	CFE 1 7/8 S
				N/A							CFE 1 7/8 B	CFE 1 7/8 SB

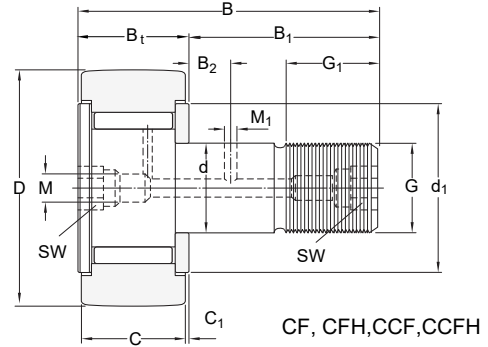
Inch Cam Followers



Designation		D		C		d		B ₁	C ₁	G ₁	B	R	e	Be	de	Max. dynamic radial loads	Max. static radial loads
W/O Seals	With Seals	Outside diameter		Outer ring width		Stud diameter		Stud length	Distance outer ring face to washer face	Min thread length	Total length	Crown	Eccentric				
		inch mm		inch mm		inch mm		inch mm	inch mm	inch mm	inch mm	inch mm	Base modifier CFE-XX				
		Nom.	Tol.	Nom.	Tol.	Nom.	Tol.	(Ref)	(Ref)	(Ref)	(Ref)	Radius (Ref)	(Ref)	+0/-010	±.001		
CFH 1 7/8 CFH 1 7/8 B CCFH 1 7/8 CCFH 1 7/8 B	CFH 1 7/8 S CFH 1 7/8 SB CCFH 1 7/8 S CCFH 1 7/8 B	1.875 47.63	+0/-0.001 +0/-0.03	1.000 25.40	+0 / -.005 +0 / -.13	1.000 25.40	+0.01/-0 +0.03/-0	1.75 44.5	.031 .8	.88 22.2	2.78 70.6	Cylindrical 20 508	N/A	N/A	N/A	6,385 28,400	15,840 70,456
CF 2 CF 2 B CCF 2 CCF 2 B	CF 2 S CF 2 SB CCF 2 S CCF 2 SB	2.000 50.80	+0/-0.001 +0/-0.03	1.250 31.75	+0 / -.005 +0 / -.13	.875 22.23	+0.01/-0 +0.03/-0	2.00 50.8	.031 .8	1.00 25.4	3.28 83.3	Cylindrical 24 610	N/A	N/A	N/A	8,090 35,984	10,570 47,015
CFE 2 CFE 2 B CCFE 2 CCFE 2 B	CFE 2 S CFE 2 SB CCFE 2 S CCFE 2 SB	2.000 50.80	+0/-0.001 +0/-0.03	1.250 31.75	+0 / -.005 +0 / -.13	.875 22.23	+0.01/-0 +0.03/-0	2.00 50.8	.031 .8	1.00 25.4	3.28 83.3	Cylindrical 24 610	.030 .76	1.000 25.40	1.187 30.15		
CFH 2 CFH 2 B CCFH 2 CCFH 2 B	CFH 2 S CFH 2 SB CCFH 2 S CCFH 2 B	2.000 50.80	+0/-0.001 +0/-0.03	1.250 31.75	+0 / -.005 +0 / -.13	1.125 28.58	+0.01/-0 +0.03/-0	2.00 50.8	.031 .8	1.00 25.4	3.28 83.3	Cylindrical 24 610	N/A	N/A	N/A	8,090 35,984	21,140 94,031
CF 2 1/4 CF 2 1/4 B CCF 2 1/4 CCF 2 1/4 B	CF 2 1/4 S CF 2 1/4 SB CCF 2 1/4 S CCF 2 1/4 B	2.250 57.15	+0/-0.001 +0/-0.03	1.250 31.75	+0 / -.005 +0 / -.13	.875 22.23	+0.01/-0 +0.03/-0	2.00 50.8	.031 .8	1.00 25.4	3.28 83.3	Cylindrical 24 610	N/A	N/A	N/A	8,090 35,984	10,570 47,015
CFE 2 1/4 CFE 2 1/4 B CCFE 2 1/4 CCFE 2 1/4 B	CFE 2 1/4 S CFE 2 1/4 SB CCFE 2 1/4 S CCFE 2 1/4 SB	2.250 57.15	+0/-0.001 +0/-0.03	1.250 31.75	+0 / -.005 +0 / -.13	.875 22.23	+0.01/-0 +0.03/-0	2.00 50.8	.031 .8	1.00 25.4	3.28 83.3	Cylindrical 24 610	.030 .76	1.000 25.40	1.187 30.15		
CFH 2 1/4 CFH 2 1/4 B CCFH 2 1/4 CCFH 2 1/4 B	CFH 2 1/4 S CFH 2 1/4 SB CCFH 2 1/4 S CCFH 2 1/4 B	2.250 57.15	+0/-0.001 +0/-0.03	1.250 31.75	+0 / -.005 +0 / -.13	1.125 28.58	+0.01/-0 +0.03/-0	2.00 50.8	.031 .8	1.00 25.4	3.28 83.3	Cylindrical 24 610	N/A	N/A	N/A	8,090 35,984	21,140 94,031
CF 2 1/2 CF 2 1/2 B CCF 2 1/2 CCF 2 1/2 B	CF 2 1/2 S CF 2 1/2 SB CCF 2 1/2 S CCF 2 1/2 B	2.500 63.50	+0/-0.001 +0/-0.03	1.500 38.10	+0 / -.005 +0 / -.13	1.000 25.40	+0.01/-0 +0.03/-0	2.25 57.2	.031 .8	1.125 28.57	3.78 96.0	Cylindrical 30 762	N/A	N/A	N/A	11,720 52,131	16,450 73,170
CFE 2 1/2 CFE 2 1/2 B CCFE 2 1/2 CCFE 2 1/2 B	CFE 2 1/2 S CFE 2 1/2 SB CCFE 2 1/2 S CCFE 2 1/2 SB	2.500 63.50	+0/-0.001 +0/-0.03	1.500 38.10	+0 / -.005 +0 / -.13	1.000 25.40	+0.01/-0 +0.03/-0	2.25 57.2	.031 .8	1.125 28.57	3.78 96.0	Cylindrical 30 762	.030 .76	1.125 28.58	1.375 34.93		
CFH 2 1/2 CFH 2 1/2 B CCFH 2 1/2 CCFH 2 1/2 B	CFH 2 1/2 S CFH 2 1/2 SB CCFH 2 1/2 S CCFH 2 1/2 B	2.500 63.50	+0/-0.001 +0/-0.03	1.500 38.10	+0 / -.005 +0 / -.13	1.250 31.75	+0.01/-0 +0.03/-0	2.25 57.2	.031 .8	1.125 28.57	3.78 96.0	Cylindrical 30 762	N/A	N/A	N/A	11,720 52,131	32,900 146,339
CF 2 3/4 CF 2 3/4 B CCF 2 3/4 CCF 2 3/4 B	CF 2 3/4 S CF 2 3/4 SB CCF 2 3/4 S CCF 2 3/4 B	2.750 69.85	+0/-0.001 +0/-0.03	1.500 38.10	+0 / -.005 +0 / -.13	1.000 25.40	+0.01/-0 +0.03/-0	2.25 57.2	.031 .8	1.125 28.57	3.78 96.0	Cylindrical 30 762	N/A	N/A	N/A	11,720 52,131	16,450 73,170
CFE 2 3/4 CFE 2 3/4 B CCFE 2 3/4 CCFE 2 3/4 B	CFE 2 3/4 S CFE 2 3/4 SB CCFE 2 3/4 S CCFE 2 3/4 SB	2.750 69.85	+0/-0.001 +0/-0.03	1.500 38.10	+0 / -.005 +0 / -.13	1.000 25.40	+0.01/-0 +0.03/-0	2.25 57.2	.031 .8	1.125 28.57	3.78 96.0	Cylindrical 30 762	.030 .76	1.125 28.58	1.375 34.93		
CFH 2 3/4 CFH 2 3/4 B CCFH 2 3/4 CCFH 2 3/4 B	CFH 2 3/4 S CFH 2 3/4 SB CCFH 2 3/4 S CCFH 2 3/4 B	2.750 69.85	+0/-0.001 +0/-0.03	1.500 38.10	+0 / -.005 +0 / -.13	1.250 31.75	+0.01/-0 +0.03/-0	2.25 57.2	.031 .8	1.125 28.57	3.78 96.0	Cylindrical 30 762	N/A	N/A	N/A	11,720 52,131	32,900 146,339
CF 3 CF 3 B CCF 3 CCF 3 B	CF 3 S CF 3 SB CCF 3 S CCF 3 SB	3.000 76.20	+0/-0.001 +0/-0.03	1.750 44.45	+0 / -.005 +0 / -.13	1.250 31.75	+0.01/-0 +0.03/-0	2.50 63.5	.031 .8	1.25 31.75	4.28 108.7	Cylindrical 30 762	N/A	N/A	N/A	15,720 69,923	24,910 110,800
CFE 3 CFE 3 B CCFE 3 CCFE 3 B	CFE 3 S CFE 3 SB CCFE 3 S CCFE 3 SB	3.000 76.20	+0/-0.001 +0/-0.03	1.750 44.45	+0 / -.005 +0 / -.13	1.250 31.75	+0.01/-0 +0.03/-0	2.50 63.5	.031 .8	1.25 31.75	4.28 108.7	Cylindrical 30 762	.060 .52	1.250 31.75	1.750 44.45		

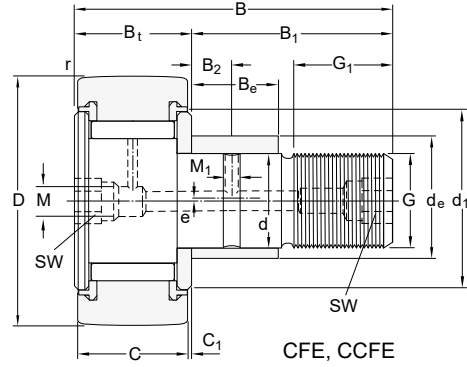


B ₂	M ₁	SW	d ₁	r	HBD		G	M _A	nDG	Mass	Designation	
Distance lubrication hole to washer face	Diameter of lubrication hole (shank)	Width of flats	Thrust washer outside diameter	Minimum Fillet radius	Housing Bore Diameter		Thread Type	Clamping Torque	Limiting Speed (Grease)	Bearing Weight	W/O Seals	With Seals
inch mm			inch mm	inch mm			in-lb Nm	RPM	lb kg			
(Ref)	(Ref)	(Ref)	(Ref)	(Ref)	Nom.	Tol.						
.4375 11	.125 3	.1875 5	1.250 31.75	.063 1.59	1.0003 25.408	+0.0002/-0.0003 +0.0005/-0.0008	1-14	2,250 254	2,000	1.15 .52	CFH 1 7/8 CFH 1 7/8 B CCFH 1 7/8 CCFH 1 7/8 B	CFH 1 7/8 S CFH 1 7/8 SB CCFH 1 7/8 S CCFH 1 7/8 SB
				N/A								
.50 13	.125 3	.1875 5	1.406 35.72	.094 2.38	.8753 22.233	+0.0002/-0.0003 +0.0005/-0.0008	7/8-14	1,500 170	1,400	1.36 .62	CF 2 CF 2 B CCF 2 CCF 2 B	CF 2 S CF 2 SB CCF 2 S CCF 2 SB
				N/A								
.50 13	.125 3	.1875 5	1.406 35.72	.094 2.38	1.190 30.22	+0.001/-0.001 +0.025/-0.025	1 1/8-12	2,800 316	1,400	1.56 .71	CFH 2 CFH 2 B CCFH 2 CCFH 2 B	CFH 2 S CFH 2 SB CCFH 2 S CCFH 2 SB
				N/A								
.50 13	.125 3	.1875 5	1.406 35.72	.094 2.38	.8753 22.233	+0.0002/-0.0003 +0.0005/-0.0008	7/8-14	1,500 170	1,300	1.65 .75	CF 2 1/4 CF 2 1/4 B CCF 2 1/4 CCF 2 1/4 B	CF 2 1/4 S CF 2 1/4 SB CCF 2 1/4 S CCF 2 1/4 SB
				N/A								
.50 13	.125 3	.1875 5	1.406 35.72	.094 2.38	1.190 30.22	+0.001/-0.001 +0.025/-0.025	1 1/8-12	2,800 316	1,300	1.88 .85	CFH 2 1/4 CFH 2 1/4 B CCFH 2 1/4 CCFH 2 1/4 B	CFH 2 1/4 S CFH 2 1/4 SB CCFH 2 1/4 S CCFH 2 1/4 SB
				N/A								
.5625 14	.125 3	.1875 5	1.688 42.86	.094 2.38	1.0003 25.408	+0.0002/-0.0003 +0.0005/-0.0008	1-14	2,250 254	1,100	2.50 1.13	CF 2 1/2 CF 2 1/2 B CCF 2 1/2 CCF 2 1/2 B	CF 2 1/2 S CF 2 1/2 SB CCF 2 1/2 S CCF 2 1/2 SB
				N/A								
.5625 14	.125 3	.1875 5	1.688 42.86	.094 2.38	1.378 35.00	+0.001/-0.001 +0.025/-0.025	1 1/4-12	3,450 390	1,100	2.75 1.25	CFE 2 1/2 CFE 2 1/2 B CCFE 2 1/2 CCFE 2 1/2 B	CFE 2 1/2 S CFE 2 1/2 SB CCFE 2 1/2 S CCFE 2 1/2 SB
				N/A								
.5625 14	.125 3	.1875 5	1.688 42.86	.094 2.38	1.2503 31.758	+0.0002/-0.0003 +0.0005/-0.0008	1 1/4-12	3,450 390	1,050	3.19 1.47	CFH 2 1/2 CFH 2 1/2 B CCFH 2 1/2 CCFH 2 1/2 B	CFH 2 1/2 S CFH 2 1/2 SB CCFH 2 1/2 S CCFH 2 1/2 SB
				N/A								
.5625 14	.125 3	.1875 5	1.688 42.86	.094 2.38	1.0003 25.408	+0.0002/-0.0003 +0.0005/-0.0008	1-14	2,250 254	1,050	2.93 1.33	CF 2 3/4 CF 2 3/4 B CCF 2 3/4 CCF 2 3/4 B	CF 2 3/4 S CF 2 3/4 SB CCF 2 3/4 S CCF 2 3/4 SB
				N/A								
.5625 14	.125 3	.1875 5	1.688 42.86	.094 2.38	1.378 35.00	+0.001/-0.001 +0.025/-0.025	1 1/4-12	3,450 390	1,050	3.19 1.47	CFE 2 3/4 CFE 2 3/4 B CCFE 2 3/4 CCFE 2 3/4 B	CFE 2 3/4 S CFE 2 3/4 SB CCFE 2 3/4 S CCFE 2 3/4 SB
				N/A								
.5625 14	.125 3	.1875 5	1.688 42.86	.094 2.38	1.2503 31.758	+0.0002/-0.0003 +0.0005/-0.0008	1 1/4-12	3,450 390	1,050	3.19 1.47	CFH 2 3/4 CFH 2 3/4 B CCFH 2 3/4 CCFH 2 3/4 B	CFH 2 3/4 S CFH 2 3/4 SB CCFH 2 3/4 S CCFH 2 3/4 SB
				N/A								
.625 16	.125 3	.25 * 6	2.125 53.98	.125 3.18	1.2503 31.758	+0.0002/-0.0003 +0.0005/-0.0008	1 1/4-12	3,450 390	950	4.20 1.91	CF 3 CF 3 B CCF 3 CCF 3 B	CF 3 S CF 3 SB CCF 3 S CCF 3 SB
				N/A								
.625 16	.125 3	.25 * 6	2.125 53.98	.125 3.18	1.753 44.52	+0.001/-0.001 +0.025/-0.025	1 1/4-12	3,450 390	950	4.20 1.91	CFE 3 CFE 3 B CCFE 3 CCFE 3 B	CFE 3 S CFE 3 SB CCFE 3 S CCFE 3 SB
				N/A								



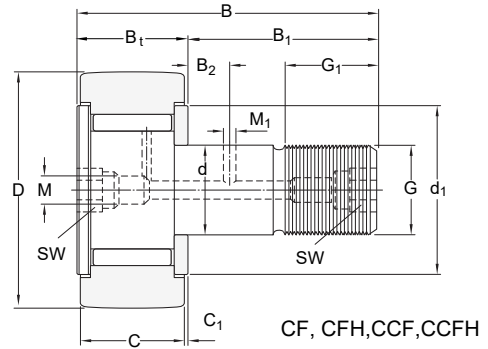
CF, CFH, CCF, CCFH

Designation		D		C		d		B ₁	C ₁	G ₁	B	R	e	Be	de	Max. dynamic radial loads	Max. static radial loads
W/O Seals	With Seals	Outside diameter		Outer ring width		Stud diameter		Stud length	Distance outer ring face to washer face	Min thread length	Total length	Crown	Eccentric				
		inch mm		inch mm		inch mm		inch mm	inch mm	inch mm	inch mm	inch mm	Base modifier CFE-XX				
		Nom.	Tol.	Nom.	Tol.	Nom.	Tol.	(Ref)	(Ref)	(Ref)	(Ref)	Radius (Ref)	(Ref)	+0/- .010	±.001		
CFH 3	CFH 3 S	3.000	+0/- .001	1.750	+0 / -.005	1.500	+0.01/-0	2.50	.031	1.25	4.28	Cylindrical	N/A	N/A	N/A	15,720	49,820
CFH 3 B	CFH 3 SB	76.20	+0/- .03	44.45	+0 / -.13	38.10	+0.03/-0	63.5	.8	31.75	108.7	30 762	N/A	N/A	N/A	69,923	221,599
CCFH 3	CCFH 3 S	3.250	+0/- .001	1.750	+0 / -.005	1.250	+0.01/-0	2.50	.031	1.25	4.28	Cylindrical	N/A	N/A	N/A	15,720	24,910
CCFH 3 B	CCFH 3 SB	82.55	+0/- .03	44.45	+0 / -.13	31.75	+0.03/-0	63.5	.8	31.75	108.7	30 762	N/A	N/A	N/A	69,923	110,800
CFE 3 1/4	CFE 3 1/4 S	3.250	+0/- .001	1.750	+0 / -.005	1.250	+0.01/-0	2.50	.031	1.25	4.28	Cylindrical	.060	1.250	1.750		
CFE 3 1/4 B	CFE 3 1/4 SB	82.55	+0/- .03	44.45	+0 / -.13	31.75	+0.03/-0	63.5	.8	31.75	108.7	30 762	.52	31.75	44.45		
CCFE 3 1/4	CCFE 3 1/4 S	3.250	+0/- .001	1.750	+0 / -.005	1.500	+0.01/-0	2.50	.031	1.25	4.28	Cylindrical	N/A	N/A	N/A	15,720	49,820
CCFE 3 1/4 B	CCFE 3 1/4 SB	82.55	+0/- .03	44.45	+0 / -.13	38.10	+0.03/-0	63.5	.8	31.75	108.7	30 762	N/A	N/A	N/A	69,923	221,599
CFH 3 1/2	CFH 3 1/2 S	3.500	+0/- .001	2.000	+0 / -.005	1.375	+0.01/-0	2.75	.031	1.375	4.78	Cylindrical	N/A	N/A	N/A	22,800	31,625
CFH 3 1/2 B	CFH 3 1/2 SB	88.90	+0/- .03	50.80	+0 / -.13	34.93	+0.03/-0	69.9	.8	34.93	121.4	30 762	N/A	N/A	N/A	101,414	140,668
CCFH 3 1/2	CCFH 3 1/2 S	3.500	+0/- .001	2.000	+0 / -.005	1.375	+0.01/-0	2.75	.031	1.375	4.78	Cylindrical	.060	1.375	1.812		
CCFH 3 1/2 B	CCFH 3 1/2 SB	88.90	+0/- .03	50.80	+0 / -.13	34.93	+0.03/-0	69.9	.8	34.93	121.4	30 762	.52	34.93	46.02		
CFH 3 1/2	CFH 3 1/2 S	3.500	+0/- .001	2.000	+0 / -.005	1.750	+0.01/-0	2.75	.031	1.375	4.78	Cylindrical	N/A	N/A	N/A	22,800	63,250
CFH 3 1/2 B	CFH 3 1/2 SB	88.90	+0/- .03	50.80	+0 / -.13	44.45	+0.03/-0	69.9	.8	34.93	121.4	30 762	N/A	N/A	N/A	101,414	281,336
CCFH 3 1/2	CCFH 3 1/2 S	4.000	+0/- .001	2.250	+0 / -.005	1.500	+0.01/-0	3.50	.031	1.50	5.78	Cylindrical	N/A	N/A	N/A	22,800	44,770
CCFH 3 1/2 B	CCFH 3 1/2 SB	101.60	+0/- .03	57.15	+0 / -.13	38.10	+0.03/-0	88.9	.8	38.1	146.8	30 762	N/A	N/A	N/A	101,414	199,137
CFE 4	CFE 4 S	4.000	+0/- .001	2.250	+0 / -.005	1.500	+0.01/-0	3.50	.031	1.50	5.78	Cylindrical	.060	2.000	2.000		
CFE 4 B	CFE 4 SB	101.60	+0/- .03	57.15	+0 / -.13	38.10	+0.03/-0	88.9	.8	38.1	146.8	30 762	.52	50.80	50.80		
CCFE 4	CCFE 4 S	4.000	+0/- .001	2.250	+0 / -.005	2.000	+0.01/-0	3.50	.031	1.50	5.78	Cylindrical	N/A	N/A	N/A	29,985	89,540
CCFE 4 B	CCFE 4 SB	101.60	+0/- .03	57.15	+0 / -.13	50.80	+0.03/-0	88.9	.8	38.1	146.8	30 762	N/A	N/A	N/A	133,373	398,274
-	CF 5 SB	5.000	+0/- .001	2.750	+0 / -.005	2.000	+0.01/-0	5.06	.062	2.563	7.88	Cylindrical	N/A	N/A	N/A	46,575	67,950
-	CCF 5 SB	127.00	+0/- .03	69.85	+0 / -.13	50.80	+0.03/-0	128.6	1.57	65.1	200.0	48 1,219	N/A	N/A	N/A	207,166	302,242
-	CFH 5 SB	5.000	+0/- .001	2.750	+0 / -.005	2.500	+0.01/-0	5.06	.062	2.563	7.88	Cylindrical	N/A	N/A	N/A	46,575	135,900
-	CCFH 5 SB	127.00	+0/- .03	69.85	+0 / -.13	63.50	+0.03/-0	128.6	1.57	65.1	200.0	48 1,219	N/A	N/A	N/A	207,166	604,483
-	CF 6 SB	6.000	+0/- .001	3.250	+0 / -.005	2.500	+0.01/-0	6.00	.062	3.00	9.31	Cylindrical	N/A	N/A	N/A	60,000	80,450
-	CCF 6 SB	152.40	+0/- .03	82.55	+0 / -.13	63.50	+0.03/-0	152.4	1.57	76.2	236.5	56 1,422	N/A	N/A	N/A	266,880	357,842
-	CFH 6 SB	6.000	+0/- .001	3.250	+0 / -.005	2.500	+0.01/-0	6.00	.062	3.00	9.31	Cylindrical	N/A	N/A	N/A	60,000	160,900
-	CCFH 6 SB	152.40	+0/- .03	82.55	+0 / -.13	63.50	+0.03/-0	152.4	1.57	76.2	236.5	56 1,422	N/A	N/A	N/A	266,880	715,683
-	CF 7 SB	7.000	+0/- .001	3.750	+0 / -.005	3.000	+0.01/-0	7.69	.062	4.125	11.50	Cylindrical	N/A	N/A	N/A	75,380	106,930
-	CCF 7 SB	177.80	+0/- .03	95.25	+0 / -.13	76.20	+0.03/-0	195.3	1.57	104.77	292.1	60 1,524	N/A	N/A	N/A	335,290	475,625

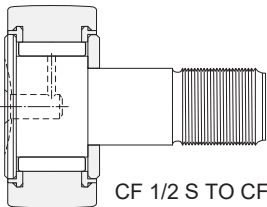


B ₂	M ₁	SW	d ₁	r	HBD		G	M _A	nDG	Mass	Designation	
Distance lubrication hole to washer face	Diameter of lubrication hole (shank)	Width of flats	Thrust washer outside diameter	Minimum Fillet radius	Housing Bore Diameter		Thread Type	Clamping Torque	Limiting Speed (Grease)	Bearing Weight	W/O Seals	With Seals
inch mm			inch mm		inch mm			in-lb Nm	RPM	lb kg		
(Ref)	(Ref)	(Ref)	(Ref)	(Ref)	Nom.	Tol.						
.625 16	.125 3	.25 * 6	2.125 53.98	.125 3.18	1.5003	+0.002/-0.003 +0.0005/-0.0008	1 1/2-12	5,000 565	950	4.56 2.07	CFH 3	CFH 3 S
				N/A	38.108	CCFH 3					CCFH 3 B	
.625 16	.125 3	.25 * 6	2.125 53.98	.125 3.18	1.2503	+0.002/-0.003 +0.0005/-0.0008	1 1/4-12	3,450 390	880	4.81 2.18	CF 3 1/4	CF 3 1/4 S
				N/A	31.758	CF 3 1/4 B					CF 3 1/4 SB	
.625 16	.125 3	.25 * 6	2.125 53.98	.125 3.18	1.753	+0.001/-0.001 +0.025/-0.025	1 1/4-12	5,000 565	880	5.19 2.35	CFE 3 1/4	CFE 3 1/4 S
				N/A	44.52	CFE 3 1/4 B					CFE 3 1/4 SB	
.625 16	.125 3	.25 * 6	2.125 53.98	.125 3.18	1.5003	+0.002/-0.003 +0.0005/-0.0008	1 1/2-12	5,000 565	880	5.19 2.35	CCFE 3 1/4	CCFE 3 1/4 S
				N/A	38.108	CCFE 3 1/4 B					CCFE 3 1/4 SB	
.6875 17	.125 3	.25 * 6	2.438 61.91	.125 3.18	1.3753	+0.002/-0.003 +0.0005/-0.0008	1 3/8-12	4,200 475	820	6.42 2.91	CFH 3 1/2	CFH 3 1/2 S
				N/A	34.933	CF 3 1/2 B					CF 3 1/2 SB	
.6875 17	.125 3	.25 * 6	2.438 61.91	.125 3.18	1.815	+0.001/-0.001 +0.025/-0.025	1 3/8-12	5,000 565	820	7.01 3.18	CCF 3 1/2	CCF 3 1/2 S
				N/A	46.10	CCF 3 1/2 B					CCF 3 1/2 SB	
.6875 17	.125 3	.25 * 6	2.438 61.91	.125 3.18	1.7503	+0.002/-0.003 +0.0005/-0.0008	1 3/4-12	5,000 565	820	7.01 3.18	CFE 3 1/2	CFE 3 1/2 S
				N/A	44.458	CFE 3 1/2 B					CFE 3 1/2 SB	
.75 19	.125 3	.25 * 6	2.797 71.04	.125 3.18	1.5003	+0.002/-0.003 +0.0005/-0.0008	1 1/2-12	5,000 565	700	9.46 4.29	CFH 3 1/2 B	CFH 3 1/2 SB
				N/A	38.108	CF 4 S					CF 4 SB	
.75 19	.125 3	.25 * 6	2.797 71.04	.125 3.18	2.002	+0.001/-0.001 +0.025/-0.025	1 1/2-12	5,000 565	700	10.83 4.91	CCF 4	CCF 4 S
				N/A	50.85	CCF 4 B					CCF 4 SB	
.75 19	.125 3	.25 * 6	2.797 71.04	.125 3.18	2.0003	+0.002/-0.003 +0.0005/-0.0008	2-12	5,000 565	700	10.83 4.91	CFE 4	CFE 4 S
				N/A	50.808	CFE 4 B					CFE 4 SB	
.75 19	.125 3	.25 * 6	2.797 71.04	.125 3.18	2.0003	+0.002/-0.003 +0.0005/-0.0008	2-12	5,000 565	700	10.83 4.91	CCFH 4	CCFH 4 S
				N/A	50.808	CCFH 4 B					CCFH 4 SB	
.875 22	.1875 5	1/4" NPT	3.563 90.49	.125 3.18	2.0003	+0.002/-0.003 +0.0005/-0.0008	2-12	5,000 565	575	19.60 8.89	-	CF 5 S
				N/A	50.808	-					CCF 5 S	
.875 22	.1875 5	1/4" NPT	3.563 90.49	.125 3.18	2.5030	+0.002/-0.003 +0.0005/-0.0008	2 1/2-12	5,000 565	575	22.10 10.02	-	CFH 5 S
				N/A	63.576	-					CCFH 5 S	
1.00 25	.1875 5	1/4" NPT	4.469 113.51	.125 3.18	2.5030	+0.002/-0.003 +0.0005/-0.0008	2 1/2-12	5,000 565	475	32.73 14.85	-	CF 6 S
				N/A	63.576	-					CCF 6 S	
1.00 25	.1875 5	1/4" NPT	4.469 113.51	.125 3.18	3.0003	+0.002/-0.003 +0.0005/-0.0008	3-12	5,000 565	475	36.41 16.52	-	CFH 6 S
				N/A	76.208	-					CCFH 6 S	
1.25 32	.1875 5	1/4" NPT	5.188 131.76	.125 3.18	3.0003	+0.002/-0.003 +0.0005/-0.0008	3-12	5,000 565	400	54.73 24.83	-	CF 7 S
				N/A	76.208	-					CCF 7 S	

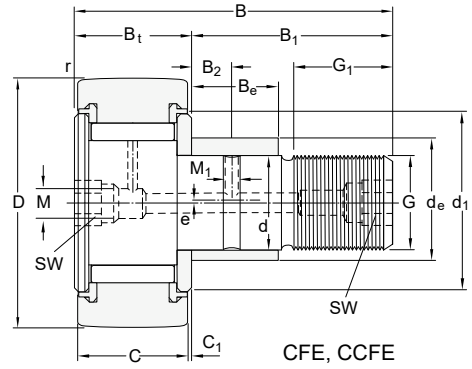
Inch Cam Followers



Designation		D		C		d		B ₁	C ₁	G ₁	B	R	e	Be	de	Max. dynamic radial loads	Max. static radial loads
W/O Seals	With Seals	Outside diameter		Outer ring width		Stud diameter		Stud length	Distance outer ring face to washer face	Min thread length	Total length	Crown	Eccentric				
		inch mm		inch mm		inch mm		inch mm	inch mm	inch mm	inch mm	inch mm	Base modifier CFE-XX				
		Nom.	Tol.	Nom.	Tol.	Nom.	Tol.	(Ref)	(Ref)	(Ref)	(Ref)	Radius (Ref)	(Ref)	+0/-010	±.001		
-	CFH 7 SB	7.000	+0/-0.01	3.750	+0 / -.005	3.000	+0.01/-0	7.69	.062	4.125	11.50	Cylindrical	N/A	N/A	N/A	75,380	213,860
	CCFH 7 SB	177.80	+0/-0.03	95.25	+0 / -.13	76.20	+0.03/-0	195.3	1.57	104.77	292.1	60 1,524					
-	CF 8 SB	8.000	*	4.250	*	3.250	+0.01/-0	8.50	.125	4.25	12.81	Cylindrical	N/A	N/A	N/A	92,200	144,100
	CCF 8 SB	203.20		107.95		82.55	+0.03/-0	215.9	3.175	107.95	325.4	40 1,016					
-	CF 9 SB	9.000	*	4.750	*	3.750	+0.01/-0	9.50	.125	4.75	14.31	Cylindrical	N/A	N/A	N/A	113,260	183,430
	CCF 9 SB	228.60		120.65		95.25	+0.03/-0	241.3	3.175	120.65	363.5	40 1,016					
-	CF 10 SB	10.000	*	5.250	*	4.250	+0.01/-0	10.00	.125	4.75	15.31	Cylindrical	N/A	N/A	N/A	131,545	215,565
	CCF 10 SB	254.00		133.35		107.95	+0.03/-0	254.0	3.175	120.65	388.9	40 1,016					



CF 1/2 S TO CF 5/8 S



B ₂	M ₁	SW	d ₁	r	HBD		G	M _A	nDG	Mass	Designation	
Distance lubrication hole to washer face	Diameter of lubrication hole (shank)	Width of flats	Thrust washer outside diameter	Minimum Fillet radius	Housing Bore Diameter		Thread Type	Clamping Torque	Limiting Speed (Grease)	Bearing Weight	W/O Seals	With Seals
inch mm			inch mm		inch mm			in-lb Nm	RPM	lb kg		
(Ref)	(Ref)	(Ref)	(Ref)	(Ref)	Nom.	Tol.						
1.25 32	.1875 5	1/4" NPT	5.188 131.76	.125 3.18	3.5003 88.908	+0.002/-0.003 +0.0005/-0.0008	3 1/2-4	5,000 565	400	68.03 30.86	-	CFH 7 S CCFH 7 S
-	-	1/4" NPT	4.375 111.13	.219 5.56	3.2503 82.558	+0.002/-0.003 +0.0005/-0.0008	3 1/4-4	5,000 565	350	79.80 36.19	-	CF 8 S CCF 8 S
-	-	1/4" NPT	5.063 128.59	.250 6.35	3.7503 95.258	+0.002/-0.003 +0.0005/-0.0008	3 1/2-4	5,000 565	300	111.60 50.62	-	CF 9 S CCF 9 S
-	-	1/4" NPT	5.469 138.91	.281 7.14	4.2503 107.958	+0.002/-0.003 +0.0005/-0.0008	3 1/2-4	5,000 565	275	148.20 67.22	-	CF 10 S CCF 10 S

Variaty Inch Cam Followers

Type Features							Mc.GILL	TORR.	RBC	SMITH	NTN	IKO	INA · SKF
Inch	no cage	flat	screw	unsealed	std stud	concentric	CF-..	CR-..	S..	CR-..	CRV..X	CR..V	CF-..
Inch	no cage	flat	screw	sealed	std stud	concentric	CF-..S	CRS-..	S..L	CR-..X	CRV..XLL	CR..VUU	CF-..PP
Inch	no cage	flat	hex	unsealed	std stud	concentric	CF-..B	CRB-..	S..W	CR-..B	CRV..XH	CR..VB	CF..SK
Inch	no cage	flat	hex	sealed	std stud	concentric	CF-..SB	CRSB-..	S..LW	CR-..XB	CRV..XLLH	CR..VBUU	CF..PPSK
Inch	no cage	crown	screw	unsealed	std stud	concentric	CCF-..	CRC-..	CS..	CR-..C	CRV	CR..VR	CF-..Y
Inch	no cage	crown	screw	sealed	std stud	concentric	CCF-..S	CRSC-..	CS..L	CR-..XC	CRV..LL	CR..VUUR	CF-..PPY
Inch	no cage	crown	hex	unsealed	std stud	concentric	CCF-..B	CRBC-..	CS..W	CR-..BC	CRV..H	CR..VBR	CF..YSK
Inch	no cage	crown	hex	sealed	std stud	concentric	CCF-..SB	CRSBC-..	CS..LW	CR-..XBC	CRV..LLH	CR..VBUUR	CF..PPYSK
Inch	no cage	flat	screw	unsealed	heavy stud	concentric	CFH-..	CRH-..	H..	HR-..	-	CRH..V	-
Inch	no cage	flat	screw	sealed	heavy stud	concentric	CFH-..S	CRHS-..	H..L	HR-..X	-	CRH..VUU	-
Inch	no cage	flat	hex	unsealed	heavy stud	concentric	CFH-..B	CRHB-..	H..W	HR-..B	-	CRH..VB	-
Inch	no cage	flat	hex	sealed	heavy stud	concentric	CFH-..SB	CRHSB-..	H..LW	HR-..XB	-	CRH..VBUU	-
Inch	no cage	crown	screw	unsealed	heavy stud	concentric	CCFH-..	CRHC-..	CH..	HR-..C	-	CRH..VR	-
Inch	no cage	crown	screw	sealed	heavy stud	concentric	CCFH-..S	CRHSC-..	CH..L	HR-..XC	-	CRH..VUUR	-
Inch	no cage	crown	hex	unsealed	heavy stud	concentric	CCFH-..B	CRHBC-..	CH..W	HR-..BC	-	CRH..VBR	-
Inch	no cage	crown	hex	sealed	heavy stud	concentric	CCFH-..SB	CRHSBC-..	CH..LW	HR-..XBC	-	CRH..VBUUR	-
Inch	no cage	flat	screw	unsealed	std stud	eccentric	CFE-..	CRE-..	S..X	CR-..E	-	-	CFE
Inch	no cage	flat	screw	sealed	std stud	eccentric	CFE-..S	CRSE-..	S..LX	CR-..XE	-	-	CFE..PP
Inch	no cage	flat	hex	unsealed	std stud	eccentric	CFE-..B	CRBE-..	S..WX	CR-..BE	-	-	CFE..SK
Inch	no cage	flat	hex	sealed	std stud	eccentric	CFE-..SB	CRSBE-..	S..LWX	CR-..XBE	-	-	CFE..PPSK
Inch	no cage	crown	screw	unsealed	std stud	eccentric	CCFE-..	CREC-..	CS..X	CR-..EC	-	-	CFE..Y
Inch	no cage	crown	screw	sealed	std stud	eccentric	CCFE-..S	CRSEC-..	CS..LX	CR-..XEC	-	-	CFE..PPY
Inch	no cage	crown	hex	unsealed	std stud	eccentric	CCFE-..B	CRBEC-..	CS..WX	CR-..BEC	-	-	CFE..YSK
Inch	no cage	crown	hex	sealed	std stud	eccentric	CCFE-..SB	CRSBEC-..	CS..LWX	CR-..XBEC	-	-	CFE..PPYSK
inch	cage	crown	screw	unsealed	std stud	concentric	-	-	-	-	CR	CR..R	CFC..Y
Inch	cage	crown	screw	sealed	std stud	concentric	-	-	-	-	CR..LL	CR..UUR	CFC..PPY
Inch	cage	flat	screw	unsealed	std stud	concentric	-	-	-	-	CR..X	CR	CFC
Inch	cage	flat	screw	sealed	std stud	concentric	-	-	-	-	CR..XLL	CR..UU	CFC..PP
inch	cage	crown	hex	unsealed	std stud	concentric	-	-	-	-	CR..H	CR..BR	CFC..YSK
Inch	cage	crown	hex	sealed	std stud	concentric	-	-	-	-	CR..LLH	CR..BUUR	CFC..PPYSK
Inch	cage	flat	hex	unsealed	std stud	concentric	-	-	-	-	CR..XH	CR..B	CFC..SK
Inch	cage	flat	hex	sealed	std stud	concentric	-	-	-	-	CR..XLLH	CR..BUU	CFC..PPSK

Interchange of Inch Cam Followers

WITHOUT SEALS

McGILL		TORRINGTON		RBC		SMITH (OLD)		SMITH (NEW)		INA		IKO		NTN	
STD. STUD	HEAVY STUD	STD. STUD	HEAVY STUD	STD. STUD	HEAVY STUD	STD. STUD	HEAVY STUD	STD. STUD	HEAVY STUD	STD. STUD	HEAVY STUD	STD. STUD	HEAVY STUD	STD. STUD	HEAVY STUD
CF-1/2-N		CR-8				CTA-1-A		CR-1/2-A			NA	CR 8 V		CRV8X	NA
CF-1/2	CFH-1/2	CR-8-1	CRH-8-1	S-16	H-16	CTA-3	HCS-3	CR-1/2	HR-1/2	CF-8-1	NA	CR 8-1 V	CRH 8-1 V	CRV8-1X	NA
CF-9/16	CFH-9/16			S-18	H-18	CTA-5		CR-9/16			NA		CRH 9 V		NA
CF-5/8-N		CR-10				CTA-9-A		CR-5/8-A			NA	CR 10 V		CRV10X	NA
CF-5/8	CFH-5/8	CR-10-1	CRH-10-1	S-20	H-20	CTA-13	HCS-13	CR-5/8	HR-5/8	CF-10-1	NA	CR 10-1 V	CRH 10-1 V	CRV10-1X	NA
CF-11/16	CFH-11/16			S-22	H-22	CTA-15		CR-11/16			NA		CRH 11 V		NA
CF-3/4	CFH-3/4	CR-12	CRH-12	S-24	H-24	CTA-21	HCS-21	CR-3/4	HR-3/4	CF-12	NA	CR 12 V	CRH 12 V	CRV12X	NA
CF-7/8	CFH-7/8	CR-14	CRH-14	S-28	H-28	CTA-27	HCS-27	CR-7/8	HR-7/8	CF-14	NA	CR 14 V	CRH 14 V	CRV14X	NA
CF-1	CFH-1	CR-16	CRH-16	S-32	H-32	CTA-31	HCS-31	CR-1	HR-1	CF-16	NA	CR 16 V	CRH 16 V	CRV16X	NA
CF-1 1/8	CFH-1 1/8	CR-18	CRH-18	S-36	H-36	CTA-35	HCS-35	CR-1 1/8	HR-1 1/8	CF-18	NA	CR 18 V	CRH 18 V	CRV18X	NA
CF-1 1/4	CFH-1 1/4	CR-20	CRH-20	S-40	H-40	CTA-45	HCS-45	CR-1 1/4	HR-1 1/4	CF-20	NA	CR 20 V	CRH 20 V	CRV20X	NA
CF-1 3/8	CFH-1 3/8	CR-22	CRH-22	S-44	H-44	CTA-47	HCS-47	CR-1 3/8	HR-1 3/8	CF-22	NA	CR 22 V	CRH 22 V	CRV22X	NA
CF-1 1/2	CFH-1 1/2	CR-24	CRH-24	S-48	H-48	CTA-51	HCS-51	CR-1 1/2	HR-1 1/2	CF-24	NA	CR 24 V	CRH 24 V	CRV24X	NA
CF-1 5/8	CFH-1 5/8	CR-26	CRH-26	S-52	H-52	CTA-57	HCS-57	CR-1 5/8	HR-1 5/8	CF-26	NA	CR 26 V	CRH 26 V	CRV26X	NA
CF-1 3/4	CFH-1 3/4	CR-28	CRH-28	S-56	H-56	CTA-65	HCS-65	CR-1 3/4	HR-1 3/4	CF-28	NA	CR 28 V	CRH 28 V	CRV28X	NA
CF-1 7/8	CFH-1 7/8	CR-30	CRH-30	S-60	H-60	CTA-69	HCS-69	CR-1 7/8	HR-1 7/8	CF-30	NA	CR 30 V	CRH 30 V	CRV30X	NA
CF-2	CFH-2	CR-32	CRH-32	S-64	H-64	CTA-75	HCS-75	CR-2	HR-2	CF-32	NA	CR 32 V	CRH 32 V	CRV32X	NA
CF-2 1/4	CFH-2 1/4	CR-36	CRH-36	S-72	H-72	CTA-79	HCS-79	CR-2 1/4	HR-2 1/4	CF-36	NA	CR 36 V	CRH 36 V	CRV36X	NA
CF-2 1/2	CFH-2 1/2	CR-40	CRH-40	S-80	H-80	CTA-85	HCS-85	CR-2 1/2	HR-2 1/2	CF-40	NA		CRH 40 V	CRV40X	NA
CF-2 3/4	CFH-2 3/4	CR-44	CRH-44	S-88	H-88	CTA-93	HCS-93	CR-2 3/4	HR-2 3/4	CF-44	NA		CRH 44 V	CRV44X	NA
CF-3	CFH-3	CR-48	CRH-48	S-96	H-96	CTA-101	HCS-101	CR-3	HR-3	CF-48	NA		CRH 48 V	CRV48X	NA
CF-3 1/4	CFH-3 1/4	CR-52	CRH-52	S-104	H-104	CTA-109	HCS-109	CR-3 1/4	HR-3 1/4	CF-52	NA		CRH 52 V	CRV52X	NA
CF-3 1/2	CFH-3 1/2	CR-56	CRH-56	S-112	H-112	CTA-117	HCS-117	CR-3 1/2	HR-3 1/2	CF-56	NA		CRH 56 V	CRV56X	NA
CF-4	CFH-4	CR-64	CRH-64	S-128	H-128	CTA-125	HCS-125	CR-4	HR-4	CF-64	NA		CRH 64 V	CRV64X	NA

WITH SEALS

McGILL		TORRINGTON		RBC		SMITH (OLD)		SMITH (NEW)		INA		IKO		NTN	
STD. STUD	HEAVY STUD	STD. STUD	HEAVY STUD	STD. STUD	HEAVY STUD	STD. STUD	HEAVY STUD	STD. STUD	HEAVY STUD	STD. STUD	HEAVY STUD	STD. STUD	HEAVY STUD	STD. STUD	HEAVY STUD
CF-1/2-N-S		CRS-8				CTA-1-AX		CR-1/2-AX			NA	CR 8 VUU		CRV8XLL	NA
CF-1/2-S	CFH-1/2-S	CRS-8-1	CRHS-8-1	S-16-L	H-16-L	CTA-3X	HCS-3X	CR-1/2X	HR-1/2X	CF-8-1-PP	NA	CR 8-1 VUU	CRH 8-1 VUU	CRV8-1XLL	NA
CF-9/16-S	CFH-9/16-S			S-18-L	H-18-L	CTA-5X		CR-9/16X			NA		CRH 9 VUU		NA
CF-5/8-N-S		CRS-10				CTA-9-AX		CR-5/8-AX			NA	CR 10 VUU		CRV10XLL	NA
CF-5/8-S	CFH-5/8-S	CRS-10-1	CRHS-10-1	S-20-L	H-20-L	CTA-13X	HCS-13X	CR-5/8X	HR-5/8X	CF-10-1-PP	NA	CR 10-1 VUU	CRH 10-1 VUU	CRV10-1XLL	NA
CF-11/16-S				S-22-L	H-22-L	CTA-15X		CR-11/16X			NA		CRH 11 VUU		NA
CF-3/4-S	CFH-3/4-S	CRS-12	CRHS-12	S-24-L	H-24-L	CTA-21X	HCS-21X	CR-3/4X	HR-3/4X	CF-12-PP	NA	CR 12 VUU	CRH 12 VUU	CRV12XLL	NA
CF-7/8-S	CFH-7/8-S	CRS-14	CRHS-14	S-28-L	H-28-L	CTA-27X	HCS-27X	CR-7/8X	HR-7/8X	CF-14-PP	NA	CR 14 VUU	CRH 14 VUU	CRV14XLL	NA
CF-1-S	CFH-1-S	CRS-16	CRHS-16	S-32-L	H-32-L	CTA-31X	HCS-31X	CR-1X	HR-1X	CF-16-PP	NA	CR 16 VUU	CRH 16 VUU	CRV16XLL	NA
CF-1 1/8-S	CFH-1 1/8-S	CRS-18	CRHS-18	S-36-L	H-36-L	CTA-35X	HCS-35X	CR-1 1/8X	HR-1 1/8X	CF-18-PP	NA	CR 18 VUU	CRH 18 VUU	CRV18XLL	NA
CF-1 1/4-S	CFH-1 1/4-S	CRS-20	CRHS-20	S-40-L	H-40-L	CTA-45X	HCS-45X	CR-1 1/4X	HR-1 1/4X	CF-20-PP	NA	CR 20 VUU	CRH 20 VUU	CRV20XLL	NA
CF-1 3/8-S	CFH-1 3/8-S	CRS-22	CRHS-22	S-44-L	H-44-L	CTA-47X	HCS-47X	CR-1 3/8X	HR-1 3/8X	CF-22-PP	NA	CR 22 VUU	CRH 22 VUU	CRV22XLL	NA
CF-1 1/2-S	CFH-1 1/2-S	CRS-24	CRHS-24	S-48-L	H-48-L	CTA-51X	HCS-51X	CR-1 1/2X	HR-1 1/2X	CF-24-PP	NA	CR 24 VUU	CRH 24 VUU	CRV24XLL	NA
CF-1 5/8-S	CFH-1 5/8-S	CRS-26	CRHS-26	S-52-L	H-52-L	CTA-57X	HCS-57X	CR-1 5/8X	HR-1 5/8X	CF-26-PP	NA	CR 26 VUU	CRH 26 VUU	CRV26XLL	NA
CF-1 3/4-S	CFH-1 3/4-S	CRS-28	CRHS-28	S-56-L	H-56-L	CTA-65X	HCS-65X	CR-1 3/4X	HR-1 3/4X	CF-28-PP	NA	CR 28 VUU	CRH 28 VUU	CRV28XLL	NA
CF-1 7/8-S	CFH-1 7/8-S	CRS-30	CRHS-30	S-60-L	H-60-L	CTA-69X	HCS-69X	CR-1 7/8X	HR-1 7/8X	CF-30-PP	NA	CR 30 VUU	CRH 30 VUU	CRV30XLL	NA
CF-2-S	CFH-2-S	CRS-32	CRHS-32	S-64-L	H-64-L	CTA-75X	HCS-75X	CR-2X	HR-2X	CF-32-PP	NA	CR 32 VUU	CRH 32 VUU	CRV32XLL	NA
CF-2 1/4-S	CFH-2 1/4-S	CRS-36	CRHS-36	S-72-L	H-72-L	CTA-79X	HCS-79X	CR-2 1/4X	HR-2 1/4X	CF-36-PP	NA	CR 36 VUU	CRH 36 VUU	CRV36XLL	NA
CF-2 1/2-S	CFH-2 1/2-S	CRS-40	CRHS-40	S-80-L	H-80-L	CTA-85X	HCS-85X	CR-2 1/2X	HR-2 1/2X	CF-40-PP	NA		CRH 40 VUU	CRV40XLL	NA
CF-2 3/4-S	CFH-2 3/4-S	CRS-44	CRHS-44	S-88-L	H-88-L	CTA-93X	HCS-93X	CR-2 3/4X	HR-2 3/4X	CF-44-PP	NA		CRH 44 VUU	CRV44XLL	NA
CF-3-S	CFH-3-S	CRS-48	CRHS-48	S-96-L	H-96-L	CTA-101X	HCS-101X	CR-3X	HR-3X	CF-48-PP	NA	CR 48 VUU	CRH 48 VUU	CRV48XLL	NA
CF-3 1/4-S	CFH-3 1/4-S	CRS-52	CRHS-52	S-104-L	H-104-L	CTA-109X	HCS-109X	CR-3 1/4X	HR-3 1/4X	CF-52-PP	NA		CRH 52 VUU	CRV52XLL	NA
CF-3 1/2-S	CFH-3 1/2-S	CRS-56	CRHS-56	S-112-L	H-112-L	CTA-117X	HCS-117X	CR-3 1/2X	HR-3 1/2X	CF-56-PP	NA		CRH 56 VUU	CRV56XLL	NA
CF-4-S	CFH-4-S	CRS-64	CRHS-64	S-128-L	H-128-L	CTA-125X	HCS-125X	CR-4X	HR-4X	CF-64-PP	NA		CRH 64 VUU	CRV64XLL	NA
CF-5-S	CFH-5-S	CRSB-80	CRHSB-80	S-160-LW	H-160-LW	CTA-137X		CR-5XB			NA			CRV80XLL	NA
CF-6-S	CFH-6-S	CRSB-96	CRHSB-96	S-192-LW	H-192-LW			CR-6XB			NA			CRV96XLL	NA
CF-7-S	CFH-7-S	CRSB-112	CRHSP-112												
CF-8-S															
CF-9-S															
CF-10-S															

Optional feature	McGill	Torrington	RBC	Smith	INA	IKO	NTN
Hex hole	Add Suffix "B"	Add Prefix "B"	Add Suffix "W"	Add Suffix "B"	Add Suffix "SK"	Add Suffix "B"	Add Suffix "H"
Eccentric Stud	Add Prefix "E"	Add Prefix "E"	Add Suffix "X"	Add Suffix "E"	Add Suffix "E"	add prefix "E"	
Crowned OD	Add Prefix "C"	Add Prefix "C"	Add Prefix "C"	Add Suffix "C"	Add Suffix "Y"	Add Prefix "R"	Remove suffix "X"
Seal	Add Suffix "S"	Add Prefix "S"	Add Suffix "L"	Add Suffix "X"	Add Suffix "PP"	add suffix "UU"	add suffix "LL"

Interchange of Cam Follower - Inch Series

Metric	With Cage	Crowned OD	Hex Socket	With Seals	Concentric	CF
Inch	Full Roller	Cylindrical OD	Slot Socket	W/O Seals	Eccentric	

Mc.GILL	TORR. NSK	RBC	SMITH	INA SKF	IKO	NTN
CF-1/2-N	CR-8	-	CR-1/2-A	-	CR 8 V	CRV8X
CF-1/2	CR-8-1	S-16	CR-1/2	CF-8-1	CR 8-1 V	CRV8-1X
CF-9/16	-	S-18	CR-9/16	-	-	-
CF-5/8-N	CR-10	-	CR-5/8-A	-	CR 10 V	CRV10X
CF-5/8	CR-10-1	S-20	CR-5/8	CF-10-1	CR 10-1 V	CRV10-1X
CF-11/16	-	S-22	CR-11/16	-	-	-
CF-3/4	CR-12	S-24	CR-3/4	CF-12	CR 12 V	CRV12X
CF-7/8	CR-14	S-28	CR-7/8	CF-14	CR 14 V	CRV14X
CF-1	CR-16	S-32	CR-1	CF-16	CR 16 V	CRV16X
CF-1 1/8	CR-18	S-36	CR-1 1/8	CF-18	CR 18 V	CRV18X
CF-1 1/4	CR-20	S-40	CR-1 1/4	CF-20	CR 20 V	CRV20X
CF-1 3/8	CR-22	S-44	CR-1 3/8	CF-22	CR 22 V	CRV22X
CF-1 1/2	CR-24	S-48	CR-1 1/2	CF-24	CR 24 V	CRV24X
CF-1 5/8	CR-26	S-52	CR-1 5/8	CF-26	CR 26 V	CRV26X
CF-1 3/4	CR-28	S-56	CR-1 3/4	CF-28	CR 28 V	CRV28X
CF-1 7/8	CR-30	S-60	CR-1 7/8	CF-30	CR 30 V	CRV30X
CF-2	CR-32	S-64	CR-2	CF-32	CR 32 V	CRV32X
CF-2 1/4	CR-36	S-72	CR-2 1/4	CF-36	CR 36 V	CRV36X
CF-2 1/2	CR-40	S-80	CR-2 1/2	CF-40	-	CRV40X
CF-2 3/4	CR-44	S-88	CR-2 3/4	CF-44	-	CRV44X
CF-3	CR-48	S-96	CR-3	CF-48	-	CRV48X
CF-3 1/4	CR-52	S-104	CR-3 1/4	CF-52	-	CRV52X
CF-3 1/2	CR-56	S-112	CR-3 1/2	CF-56	-	CRV56X
CF-4	CR-64	S-128	CR-4	CF-64	-	CRV64X
-	-	-	-	-	-	-
-	-	-	-	-	-	-
-	-	-	-	-	-	-
-	-	-	-	-	-	-
-	-	-	-	-	-	-
-	-	-	-	-	-	-

Metric	With Cage	Crowned OD	Hex Socket	With Seals	Concentric	CF..S
Inch	Full Roller	Cylindrical OD	Slot Socket	W/O Seals	Eccentric	

Mc.GILL	TORR. NSK	RBC	SMITH	INA SKF	IKO	NTN
CF-1/2-N-S	CRS-8	-	CR-1/2-AX	-	CR 8 VUU	CRV8XLL
CF-1/2-S	CRS-8-1	S-16-L	CR-1/2X	CF-8-1-PP	CR 8-1 VUU	CRV8-1XLL
CF-9/16-S	-	S-18-L	CR-9/16X	-	-	-
CF-5/8-N-S	CRS-10	-	CR-5/8-AX	-	CR 10 VUU	CRV10XLL
CF-5/8-S	CRS-10-1	S-20-L	CR-5/8X	CF-10-1-PP	CR 10-1 VUU	CRV10-1XLL
CF-11/16-S	-	S-22-L	CR-11/16X	-	-	-
CF-3/4-S	CRS-12	S-24-L	CR-3/4X	CF-12-PP	CR 12 VUU	CRV12XLL
CF-7/8-S	CRS-14	S-28-L	CR-7/8X	CF-14-PP	CR 14 VUU	CRV14XLL
CF-1-S	CRS-16	S-32-L	CR-1X	CF-16-PP	CR 16 VUU	CRV16XLL
CF-1 1/8-S	CRS-18	S-36-L	CR-1 1/8X	CF-18-PP	CR 18 VUU	CRV18XLL
CF-1 1/4-S	CRS-20	S-40-L	CR-1 1/4X	CF-20-PP	CR 20 VUU	CRV20XLL
CF-1 3/8-S	CRS-22	S-44-L	CR-1 3/8X	CF-22-PP	CR 22 VUU	CRV22XLL
CF-1 1/2-S	CRS-24	S-48-L	CR-1 1/2X	CF-24-PP	CR 24 VUU	CRV24XLL
CF-1 5/8-S	CRS-26	S-52-L	CR-1 5/8X	CF-26-PP	CR 26 VUU	CRV26XLL
CF-1 3/4-S	CRS-28	S-56-L	CR-1 3/4X	CF-28-PP	CR 28 VUU	CRV28XLL
CF-1 7/8-S	CRS-30	S-60-L	CR-1 7/8X	CF-30-PP	CR 30 VUU	CRV30XLL
CF-2-S	CRS-32	S-64-L	CR-2X	CF-32-PP	CR 32 VUU	CRV32XLL
CF-2 1/4-S	CRS-36	S-72-L	CR-2 1/4X	CF-36-PP	CR 36 VUU	CRV36XLL
CF-2 1/2-S	CRS-40	S-80-L	CR-2 1/2X	CF-40-PP	-	CRV40XLL
CF-2 3/4-S	CRS-44	S-88-L	CR-2 3/4X	CF-44-PP	-	CRV44XLL
CF-3-S	CRS-48	S-96-L	CR-3X	CF-48-PP	-	CRV48XLL
CF-3 1/4-S	CRS-52	S-104-L	CR-3 1/4X	CF-52-PP	-	CRV52XLL
CF-3 1/2-S	CRS-56	S-112-L	CR-3 1/2X	CF-56-PP	-	CRV56XLL
CF-4-S	CRS-64	S-128-L	CR-4X	CF-64-PP	-	CRV64XLL
CF-5-S	CRSB-80	S-160-LW	CR-5XB	-	-	CRV80XLL
CF-6-S	CRSB-96	S-192-LW	CR-6XB	-	-	CRV96XLL
CF-7-S	CRSB-112	-	-	-	-	-
CF-8-S	-	-	-	-	-	-
CF-9-S	-	-	-	-	-	-
CF-10-S	-	-	-	-	-	-

Interchange of Cam Follower - Inch Series

Metric	With Cage	Crowned OD	Hex Socket	With Seals	Concentric	CF...B
Inch	Full Roller	Cylindrical OD	Slot Socket	W/O Seals	Eccentric	

Mc.GILL	TORR. NSK	RBC	SMITH	INA SKF	IKO	NTN
CF-1/2-N-B	CRB-8	-	CR-1/2-A-B	-	CR 8 VB	CRV 8XH/3AS
CF-1/2-B	CRB-8-1	S-16-W	CR-1/2-B	CF-8-1-SK	CR 8-1 VB	CRV 8-1XH/3AS
CF-9/16-B	-	S-18-W	CR-9/16-B	-	-	-
CF-5/8-N-B	CRB-10	-	CR-5/8-A-B	-	CR 10 VB	CRV10XH/3AS
CF-5/8-B	CRB-10-1	S-20-W	CR-5/8-B	CF-10-1-SK	CR 10-1 VB	CRV10-1XH/3AS
CF-11/16-B	-	S-22-W	CR-11/16-B	-	-	-
CF-3/4-B	CRB-12	S-24-W	CR-3/4-B	CF-12-SK	CR 12 VB	CRV12XH/3AS
CF-7/8-B	CRB-14	S-28-W	CR-7/8-B	CF-14-SK	CR 14 VB	CRV14XH/3AS
CF-1-B	CRB-16	S-32-W	CR-1-B	CF-16-SK	CR 16 VB	CRV16XH/3AS
CF-1 1/8-B	CRB-18	S-36-W	CR-1 1/8-B	CF-18-SK	CR 18 VB	CRV18XH/3AS
CF-1 1/4-B	CRB-20	S-40-W	CR-1 1/4-B	CF-20-SK	CR 20 VB	CRV20XH/3AS
CF-1 3/8-B	CRB-22	S-44-W	CR-1 3/8-B	CF-22-SK	CR 22 VB	CRV22XH/3AS
CF-1 1/2-B	CRB-24	S-48-W	CR-1 1/2-B	CF-24-SK	CR 24 VB	CRV24XH/3AS
CF-1 5/8-B	CRB-26	S-52-W	CR-1 5/8-B	CF-26-SK	CR 26 VB	CRV26XH/3AS
CF-1 3/4-B	CRB-28	S-56-W	CR-1 3/4-B	CF-28-SK	CR 28 VB	CRV28XH/3AS
CF-1 7/8-B	CRB-30	S-60-W	CR-1 7/8-B	CF-30-SK	CR 30 VB	CRV30XH/3AS
CF-2-B	CRB-32	S-64-W	CR-2-B	CF-32-SK	CR 32 VB	CRV32XH/3AS
CF-2 1/4-B	CRB-36	S-72-W	CR-2 1/4-B	CF-36-SK	CR 36 VB	CRV36XH/3AS
CF-2 1/2-B	CRB-40	S-80-W	CR-2 1/2-B	CF-40-SK	-	CRV40XH/3AS
CF-2 3/4-B	CRB-44	S-88-W	CR-2 3/4-B	CF-44-SK	-	CRV44XH/3AS
CF-3-B	CRB-48	S-96-W	CR-3-B	CF-48-SK	-	CRV48XH/3AS
CF-3 1/4-B	CRB-52	S-104-W	CR-3 1/4-B	CF-52-SK	-	CRV52XH/3AS
CF-3 1/2-B	CRB-56	S-112-W	CR-3 1/2-B	CF-56-SK	-	CRV56XH/3AS
CF-4-B	CRB-64	S-128-W	CR-4-B	CF-64-SK	-	CRV64XH/3AS
CF-5-B	CRB-80	S-160-LW	CR-5-B	-	-	CRV80XH/3AS
CF-6-B	CRB-96	S-192-LW	CR-6-B	-	-	CRV96XH/3AS
CF-7-B	-	-	-	-	-	-
CF-8-B	-	-	-	-	-	-
CF-9-B	-	-	-	-	-	-
CF-10-B	-	-	-	-	-	-

Metric	With Cage	Crowned OD	Hex Socket	With Seals	Concentric	CF...SB
Inch	Full Roller	Cylindrical OD	Slot Socket	W/O Seals	Eccentric	

Mc.GILL	TORR. NSK	RBC	SMITH	INA SKF	IKO	NTN
CF-1/2-N-SB	CRSB-8	-	CR-1/2-A-XB	-	CR 8 VBUU	CRV 8XHLL/3AS
CF-1/2-SB	CRSB-8-1	S-16-LW	CR-1/2-XB	CF-8-1-PPSK	CR 8-1 VBUU	CRV 8-1XHLL/3AS
CF-9/16-SB	-	S-18-LW	CR-9/16-XB	-	-	-
CF-5/8-N-SB	CRSB-10	-	CR-5/8-A-XB	-	CR 10 VBUU	CRV10XHLL/3AS
CF-5/8-SB	CRSB-10-1	S-20-LW	CR-5/8-XB	CF-10-1-PPSK	CR 10-1 VBUU	CRV10-1XHLL/3AS
CF-11/16-SB	-	S-22-LW	CR-11/16-XB	-	-	-
CF-3/4-SB	CRSB-12	S-24-LW	CR-3/4-XB	CF-12-PPSK	CR 12 VBUU	CRV12XHLL/3AS
CF-7/8-SB	CRSB-14	S-28-LW	CR-7/8-XB	CF-14-PPSK	CR 14 VBUU	CRV14XHLL/3AS
CF-1-SB	CRSB-16	S-32-LW	CR-1-XB	CF-16-PPSK	CR 16 VBUU	CRV16XHLL/3AS
CF-1 1/8-SB	CRSB-18	S-36-LW	CR-1 1/8-XB	CF-18-PPSK	CR 18 VBUU	CRV18XHLL/3AS
CF-1 1/4-SB	CRSB-20	S-40-LW	CR-1 1/4-XB	CF-20-PPSK	CR 20 VBUU	CRV20XHLL/3AS
CF-1 3/8-SB	CRSB-22	S-44-LW	CR-1 3/8-XB	CF-22-PPSK	CR 22 VBUU	CRV22XHLL/3AS
CF-1 1/2-SB	CRSB-24	S-48-LW	CR-1 1/2-XB	CF-24-PPSK	CR 24 VBUU	CRV24XHLL/3AS
CF-1 5/8-SB	CRSB-26	S-52-LW	CR-1 5/8-XB	CF-26-PPSK	CR 26 VBUU	CRV26XHLL/3AS
CF-1 3/4-SB	CRSB-28	S-56-LW	CR-1 3/4-XB	CF-28-PPSK	CR 28 VBUU	CRV28XHLL/3AS
CF-1 7/8-SB	CRSB-30	S-60-LW	CR-1 7/8-XB	CF-30-PPSK	CR 30 VBUU	CRV30XHLL/3AS
CF-2-SB	CRSB-32	S-64-LW	CR-2-XB	CF-32-PPSK	CR 32 VBUU	CRV32XHLL/3AS
CF-2 1/4-SB	CRSB-36	S-72-LW	CR-2 1/4-XB	CF-36-PPSK	CR 36 VBUU	CRV36XHLL/3AS
CF-2 1/2-SB	CRSB-40	S-80-LW	CR-2 1/2-XB	CF-40-PPSK	-	CRV40XHLL/3AS
CF-2 3/4-SB	CRSB-44	S-88-LW	CR-2 3/4-XB	CF-44-PPSK	-	CRV44XHLL/3AS
CF-3-SB	CRSB-48	S-96-LW	CR-3-XB	CF-48-PPSK	-	CRV48XHLL/3AS
CF-3 1/4-SB	CRSB-52	S-104-LW	CR-3 1/4-XB	CF-52-PPSK	-	CRV52XHLL/3AS
CF-3 1/2-SB	CRSB-56	S-112-LW	CR-3 1/2-XB	CF-56-PPSK	-	CRV56XHLL/3AS
CF-4-SB	CRSB-64	S-128-LW	CR-4-XB	CF-64-PPSK	-	CRV64XHLL/3AS
CF-5-SB	CRSB-80	S-160-LW	CR-5-XB	-	-	CRV80XHLL/3AS
CF-6-SB	CRSB-96	S-192-LW	CR-6-XB	-	-	CRV96XHLL/3AS
CF-7-SB	-	-	-	-	-	-
CF-8-SB	-	-	-	-	-	-
CF-9-SB	-	-	-	-	-	-
CF-10-SB	-	-	-	-	-	-

Interchange of Cam Follower - Inch Series

Metric	With Cage	Crowned OD	Hex Socket	With Seals	Concentric	CCF
Inch	Full Roller	Cylindrical OD	Slot Socket	W/O Seals	Eccentric	

Mc.GILL	TORR. NSK	RBC	SMITH	INA SKF	IKO	NTN
CCF-1/2-N	CRC- 8	-	CR-1/2-AC	-	CR 8 VR	CRV 8/3AS
CCF-1/2	CRC- 8-1	CS-16	CR-1/2-C	CF- 8-1-Y	CR 8-1 VR	CRV 8-1/3AS
CCF-9/16	-	CS-18	CR-9/16-C	-	-	-
CCF-5/8-N	CRC-10	-	CR-5/8-AC	-	CR 10 VR	CRV10/3AS
CCF-5/8	CRC-10-1	CS-20	CR-5/8-C	CF-10-1-Y	CR 10-1 VR	CRV10-1/3AS
CCF-11/16	-	CS-22	CR-11/16-C	-	-	-
CCF-3/4	CRC-12	CS-24	CR-3/4-C	CF-12-Y	CR 12 VR	CRV12/3AS
CCF-7/8	CRC-14	CS-28	CR-7/8-C	CF-14-Y	CR 14 VR	CRV14/3AS
CCF-1	CRC-16	CS-32	CR-1-C	CF-16-Y	CR 16 VR	CRV16/3AS
CCF-1 1/8	CRC-18	CS-36	CR-1 1/8-C	CF-18-Y	CR 18 VR	CRV18/3AS
CCF-1 1/4	CRC-20	CS-40	CR-1 1/4-C	CF-20-Y	CR 20 VR	CRV20/3AS
CCF-1 3/8	CRC-22	CS-44	CR-1 3/8-C	CF-22-Y	CR 22 VR	CRV22/3AS
CCF-1 1/2	CRC-24	CS-48	CR-1 1/2-C	CF-24-Y	CR 24 VR	CRV24/3AS
CCF-1 5/8	CRC-26	CS-52	CR-1 5/8-C	CF-26-Y	CR 26 VR	CRV26/3AS
CCF-1 3/4	CRC-28	CS-56	CR-1 3/4-C	CF-28-Y	CR 28 VR	CRV28/3AS
CCF-1 7/8	CRC-30	CS-60	CR-1 7/8-C	CF-30-Y	CR 30 VR	CRV30/3AS
CCF-2	CRC-32	CS-64	CR-2-C	CF-32-Y	CR 32 VR	CRV32/3AS
CCF-2 1/4	CRC-36	CS-72	CR-2 1/4-C	CF-36-Y	CR 36 VR	CRV36/3AS
CCF-2 1/2	CRC-40	CS-80	CR-2 1/2-C	CF-40-Y	-	CRV40/3AS
CCF-2 3/4	CRC-44	CS-88	CR-2 3/4-C	CF-44-Y	-	CRV44/3AS
CCF-3	CRC-48	CS-96	CR-3-C	CF-48-Y	-	CRV48/3AS
CCF-3 1/4	CRC-52	CS-104	CR-3 1/4-C	CF-52-Y	-	CRV52/3AS
CCF-3 1/2	CRC-56	CS-112	CR-3 1/2-C	CF-56-Y	-	CRV56/3AS
CCF-4	CRC-64	CS-128	CR-4-C	CF-64-Y	-	CRV64/3AS
-	CRC-80	-	-	-	-	CRV80/3AS
-	CRC-96	-	-	-	-	CRV96/3AS
-	-	-	-	-	-	-
-	-	-	-	-	-	-
-	-	-	-	-	-	-
-	-	-	-	-	-	-

Metric	With Cage	Crowned OD	Hex Socket	With Seals	Concentric	CCF.S
Inch	Full Roller	Cylindrical OD	Slot Socket	W/O Seals	Eccentric	

Mc.GILL	TORR. NSK	RBC	SMITH	INA SKF	IKO	NTN
CCF-1/2-N-S	CRSC-8	-	CR-1/2-AXC	-	CR 8 VUUR	CRV8LL
CCF-1/2-S	CRSC-8-1	CS-16-L	CR-1/2-XC	CF-8-1-PPY	CR 8-1 VUUR	CRV8-1LL
CCF-9/16-S	-	CS-18-L	CR-9/16-XC	-	-	-
CCF-5/8-N-S	CRSC-10	-	CR-5/8-AXC	-	CR 10 VUUR	CRV10LL
CCF-5/8-S	CRSC-10-1	CS-20-L	CR-5/8-XC	CF-10-1-PPY	CR 10-1 VUUR	CRV10-1LL
CCF-11/16-S	-	CS-22-L	CR-11/16-XC	-	-	-
CCF-3/4-S	CRSC-12	CS-24-L	CR-3/4-XC	CF-12-PPY	CR 12 VUUR	CRV12LL
CCF-7/8-S	CRSC-14	CS-28-L	CR-7/8-XC	CF-14-PPY	CR 14 VUUR	CRV14LL
CCF-1-S	CRSC-16	CS-32-L	CR-1-XC	CF-16-PPY	CR 16 VUUR	CRV16LL
CCF-1 1/8-S	CRSC-18	CS-36-L	CR-1 1/8-XC	CF-18-PPY	CR 18 VUUR	CRV18LL
CCF-1 1/4-S	CRSC-20	CS-40-L	CR-1 1/4-XC	CF-20-PPY	CR 20 VUUR	CRV20LL
CCF-1 3/8-S	CRSC-22	CS-44-L	CR-1 3/8-XC	CF-22-PPY	CR 22 VUUR	CRV22LL
CCF-1 1/2-S	CRSC-24	CS-48-L	CR-1 1/2-XC	CF-24-PPY	CR 24 VUUR	CRV24LL
CCF-1 5/8-S	CRSC-26	CS-52-L	CR-1 5/8-XC	CF-26-PPY	CR 26 VUUR	CRV26LL
CCF-1 3/4-S	CRSC-28	CS-56-L	CR-1 3/4-XC	CF-28-PPY	CR 28 VUUR	CRV28LL
CCF-1 7/8-S	CRSC-30	CS-60-L	CR-1 7/8-XC	CF-30-PPY	CR 30 VUUR	CRV30LL
CCF-2-S	CRSC-32	CS-64-L	CR-2-XC	CF-32-PPY	CR 32 VUUR	CRV32LL
CCF-2 1/4-S	CRSC-36	CS-72-L	CR-2 1/4-XC	CF-36-PPY	CR 36 VUUR	CRV36LL
CCF-2 1/2-S	CRSC-40	CS-80-L	CR-2 1/2-XC	CF-40-PPY	-	CRV40LL
CCF-2 3/4-S	CRSC-44	CS-88-L	CR-2 3/4-XC	CF-44-PPY	-	CRV44LL
CCF-3-S	CRSC-48	CS-96-L	CR-3-XC	CF-48-PPY	-	CRV48LL
CCF-3 1/4-S	CRSC-52	CS-104-L	CR-3 1/4-XC	CF-52-PPY	-	CRV52LL
CCF-3 1/2-S	CRSC-56	CS-112-L	CR-3 1/2-XC	CF-56-PPY	-	CRV56LL
CCF-4-S	CRSC-64	CS-128-L	CR-4-XC	CF-64-PPY	-	CRV64LL
CCF-5-S	CRSBC-80	CS-160-LW	CR-5-XBC	-	-	CRV80LL
CCF-6-S	CRSBC-96	CS-192-LW	CR-6-XBC	-	-	CRV96LL
CCF-7-S	CRSBC-112	-	-	-	-	-
CCF-8-S	-	-	-	-	-	-
CCF-9-S	-	-	-	-	-	-
CCF-10-S	-	-	-	-	-	-

Interchange of Cam Follower - Inch Series

Metric	With Cage	Crowned OD	Hex Socket	With Seals	Concentric	CCF...-B
Inch	Full Roller	Cylindrical OD	Slot Socket	W/O Seals	Eccentric	

Mc.GILL	TORR. NSK	RBC	SMITH	INA SKF	IKO	NTN
CCF-1/2-N-B	CRBC-8	-	CR-1/2-A-BC	-	CR 8 VBR	CRV 8H/3AS
CCF-1/2-B	CRBC-8-1	CS-16-W	CR-1/2-BC	CF-8-1-YSK	CR 8-1 VBR	CRV 8-1H/3AS
CCF-9/16-B	-	CS-18-W	CR-9/16-BC	-	-	-
CCF-5/8-N-B	CRBC-10	-	CR-5/8-A-BC	-	CR 10 VBR	CRV10H/3AS
CCF-5/8-B	CRBC-10-1	CS-20-W	CR-5/8-BC	CF-10-1-YSK	CR 10-1 VBR	CRV10-1H/3AS
CCF-11/16-B	-	CS-22-W	CR-11/16-BC	-	-	-
CCF-3/4-B	CRBC-12	CS-24-W	CR-3/4-BC	CF-12-YSK	CR 12 VBR	CRV12H/3AS
CCF-7/8-B	CRBC-14	CS-28-W	CR-7/8-BC	CF-14-YSK	CR 14 VBR	CRV14H/3AS
CCF-1-B	CRBC-16	CS-32-W	CR-1-BC	CF-16-YSK	CR 16 VBR	CRV16H/3AS
CCF-1 1/8-B	CRBC-18	CS-36-W	CR-1 1/8-BC	CF-18-YSK	CR 18 VBR	CRV18H/3AS
CCF-1 1/4-B	CRBC-20	CS-40-W	CR-1 1/4-BC	CF-20-YSK	CR 20 VBR	CRV20H/3AS
CCF-1 3/8-B	CRBC-22	CS-44-W	CR-1 3/8-BC	CF-22-YSK	CR 22 VBR	CRV22H/3AS
CCF-1 1/2-B	CRBC-24	CS-48-W	CR-1 1/2-BC	CF-24-YSK	CR 24 VBR	CRV24H/3AS
CCF-1 5/8-B	CRBC-26	CS-52-W	CR-1 5/8-BC	CF-26-YSK	CR 26 VBR	CRV26H/3AS
CCF-1 3/4-B	CRBC-28	CS-56-W	CR-1 3/4-BC	CF-28-YSK	CR 28 VBR	CRV28H/3AS
CCF-1 7/8-B	CRBC-30	CS-60-W	CR-1 7/8-BC	CF-30-YSK	CR 30 VBR	CRV30H/3AS
CCF-2-B	CRBC-32	CS-64-W	CR-2-BC	CF-32-YSK	CR 32 VBR	CRV32H/3AS
CCF-2 1/4-B	CRBC-36	CS-72-W	CR-2 1/4-BC	CF-36-YSK	CR 36 VBR	CRV36H/3AS
CCF-2 1/2-B	CRBC-40	CS-80-W	CR-2 1/2-BC	CF-40-YSK	-	CRV40H/3AS
CCF-2 3/4-B	CRBC-44	CS-88-W	CR-2 3/4-BC	CF-44-YSK	-	CRV44H/3AS
CCF-3-B	CRBC-48	CS-96-W	CR-3-BC	CF-48-YSK	-	CRV48H/3AS
CCF-3 1/4-B	CRBC-52	CS-104-W	CR-3 1/4-BC	CF-52-YSK	-	CRV52H/3AS
CCF-3 1/2-B	CRBC-56	CS-112-W	CR-3 1/2-BC	CF-56-YSK	-	CRV56H/3AS
CCF-4-B	CRBC-64	CS-128-W	CR-4-BC	CF-64-YSK	-	CRV64H/3AS
CCF-5-B	CRBC-80	CS-160-LW	CR-5-BC	-	-	CRV80H/3AS
CCF-6-B	CRBC-96	CS-192-LW	CR-6-BC	-	-	CRV96H/3AS
CCF-7-B	-	-	-	-	-	-
CCF-8-B	-	-	-	-	-	-
CCF-9-B	-	-	-	-	-	-
CCF-10-B	-	-	-	-	-	-

Metric	With Cage	Crowned OD	Hex Socket	With Seals	Concentric	CCF...-SB
Inch	Full Roller	Cylindrical OD	Slot Socket	W/O Seals	Eccentric	

Mc.GILL	TORR. NSK	RBC	SMITH	INA SKF	IKO	NTN
CCF-1/2-N-SB	CRSBC-8	-	CR-1/2-A-XBC	-	CR 8 VBUUR	CRV 8HLL/3AS
CCF-1/2-SB	CRSBC-8-1	CS-16-LW	CR-1/2-XBC	CF-8-1-PPYSK	CR 8-1 VBUUR	CRV 8-1HLL/3AS
CCF-9/16-SB	-	CS-18-LW	CR-9/16-XBC	-	-	-
CCF-5/8-N-SB	CRSBC-10	-	CR-5/8-A-XBC	-	CR 10 VBUUR	CRV10HLL/3AS
CCF-5/8-SB	CRSBC-10-1	CS-20-LW	CR-5/8-XBC	CF-10-1-PPYSK	CR 10-1 VBUUR	CRV10-1HLL/3AS
CCF-11/16-SB	-	CS-22-LW	CR-11/16-XBC	-	-	-
CCF-3/4-SB	CRSBC-12	CS-24-LW	CR-3/4-XBC	CF-12-PPYSK	CR 12 VBUUR	CRV12HLL/3AS
CCF-7/8-SB	CRSBC-14	CS-28-LW	CR-7/8-XBC	CF-14-PPYSK	CR 14 VBUUR	CRV14HLL/3AS
CCF-1-SB	CRSBC-16	CS-32-LW	CR-1-XBC	CF-16-PPYSK	CR 16 VBUUR	CRV16HLL/3AS
CCF-1 1/8-SB	CRSBC-18	CS-36-LW	CR-1 1/8-XBC	CF-18-PPYSK	CR 18 VBUUR	CRV18HLL/3AS
CCF-1 1/4-SB	CRSBC-20	CS-40-LW	CR-1 1/4-XBC	CF-20-PPYSK	CR 20 VBUUR	CRV20HLL/3AS
CCF-1 3/8-SB	CRSBC-22	CS-44-LW	CR-1 3/8-XBC	CF-22-PPYSK	CR 22 VBUUR	CRV22HLL/3AS
CCF-1 1/2-SB	CRSBC-24	CS-48-LW	CR-1 1/2-XBC	CF-24-PPYSK	CR 24 VBUUR	CRV24HLL/3AS
CCF-1 5/8-SB	CRSBC-26	CS-52-LW	CR-1 5/8-XBC	CF-26-PPYSK	CR 26 VBUUR	CRV26HLL/3AS
CCF-1 3/4-SB	CRSBC-28	CS-56-LW	CR-1 3/4-XBC	CF-28-PPYSK	CR 28 VBUUR	CRV28HLL/3AS
CCF-1 7/8-SB	CRSBC-30	CS-60-LW	CR-1 7/8-XBC	CF-30-PPYSK	CR 30 VBUUR	CRV30HLL/3AS
CCF-2-SB	CRSBC-32	CS-64-LW	CR-2-XBC	CF-32-PPYSK	CR 32 VBUUR	CRV32HLL/3AS
CCF-2 1/4-SB	CRSBC-36	CS-72-LW	CR-2 1/4-XBC	CF-36-PPYSK	CR 36 VBUUR	CRV36HLL/3AS
CCF-2 1/2-SB	CRSBC-40	CS-80-LW	CR-2 1/2-XBC	CF-40-PPYSK	-	CRV40HLL/3AS
CCF-2 3/4-SB	CRSBC-44	CS-88-LW	CR-2 3/4-XBC	CF-44-PPYSK	-	CRV44HLL/3AS
CCF-3-SB	CRSBC-48	CS-96-LW	CR-3-XBC	CF-48-PPYSK	-	CRV48HLL/3AS
CCF-3 1/4-SB	CRSBC-52	CS-104-LW	CR-3 1/4-XBC	CF-52-PPYSK	-	CRV52HLL/3AS
CCF-3 1/2-SB	CRSBC-56	CS-112-LW	CR-3 1/2-XBC	CF-56-PPYSK	-	CRV56HLL/3AS
CCF-4-SB	CRSBC-64	CS-128-LW	CR-4-XBC	CF-64-PPYSK	-	CRV64HLL/3AS
CCF-5-SB	CRSBC-80	CS-160-LW	CR-5-XBC	-	-	CRV80HLL/3AS
CCF-6-SB	CRSBC-96	CS-192-LW	CR-6-XBC	-	-	CRV96HLL/3AS
CCF-7-SB	-	-	-	-	-	-
CCF-8-SB	-	-	-	-	-	-
CCF-9-SB	-	-	-	-	-	-
CCF-10-SB	-	-	-	-	-	-

Interchange of Cam Follower - Inch Series

Metric	With Cage	Crowned OD	Hex Socket	With Seals	Concentric	CFH
Inch	Full Roller	Cylindrical OD	Slot Socket	W/O Seals	Eccentric	

Mc.GILL	TORR. NSK	RBC	SMITH	INA SKF	IKO	NTN
CFH-1/2	CRH-8-1	H-16	HR-1/2	-	CRH 8-1 V	-
CFH-9/16	-	H-18	-	-	CRH 9 V	-
CFH-5/8	CRH-10-1	H-20	HR-5/8	-	CRH 10-1 V	-
CFH-11/16	-	H-22	-	-	CRH 11 V	-
CFH-3/4	CRH-12	H-24	HR-3/4	-	CRH 12 V	-
CFH-7/8	CRH-14	H-28	HR-7/8	-	CRH 14 V	-
CFH-1	CRH-16	H-32	HR-1	-	CRH 16 V	-
CFH-1 1/8	CRH-18	H-36	HR-1 1/8	-	CRH 18 V	-
CFH-1 1/4	CRH-20	H-40	HR-1 1/4	-	CRH 20 V	-
CFH-1 3/8	CRH-22	H-44	HR-1 3/8	-	CRH 22 V	-
CFH-1 1/2	CRH-24	H-48	HR-1 1/2	-	CRH 24 V	-
CFH-1 5/8	CRH-26	H-52	HR-1 5/8	-	CRH 26 V	-
CFH-1 3/4	CRH-28	H-56	HR-1 3/4	-	CRH 28 V	-
CFH-1 7/8	CRH-30	H-60	HR-1 7/8	-	CRH 30 V	-
CFH-2	CRH-32	H-64	HR-2	-	CRH 32 V	-
CFH-2 1/4	CRH-36	H-72	HR-2 1/4	-	CRH 36 V	-
CFH-2 1/2	CRH-40	H-80	HR-2 1/2	-	CRH 40 V	-
CFH-2 3/4	CRH-44	H-88	HR-2 3/4	-	CRH 44 V	-
CFH-3	CRH-48	H-96	HR-3	-	CRH 48 V	-
CFH-3 1/4	CRH-52	H-104	HR-3 1/4	-	CRH 52 V	-
CFH-3 1/2	CRH-56	H-112	HR-3 1/2	-	CRH 56 V	-
CFH-4	CRH-64	H-128	HR-4	-	CRH 64 V	-

Metric	With Cage	Crowned OD	Hex Socket	With Seals	Concentric	CFH..S
Inch	Full Roller	Cylindrical OD	Slot Socket	W/O Seals	Eccentric	

Mc.GILL	TORR. NSK	RBC	SMITH	INA SKF	IKO	NTN
CFH-1/2-S	CRHS-8-1	H-16-L	HR-1/2X	-	CRH 8-1 VUU	-
CFH-9/16-S		H-18-L		-	CRH 9 VUU	-
CFH-5/8-S	CRHS-10-1	H-20-L	HR-5/8X	-	CRH 10-1 VUU	-
		H-22-L		-	CRH 11 VUU	-
CFH-3/4-S	CRHS-12	H-24-L	HR-3/4X	-	CRH 12 VUU	-
CFH-7/8-S	CRHS-14	H-28-L	HR-7/8X	-	CRH 14 VUU	-
CFH-1-S	CRHS-16	H-32-L	HR-1X	-	CRH 16 VUU	-
CFH-1 1/8-S	CRHS-18	H-36-L	HR-1 1/8X	-	CRH 18 VUU	-
CFH-1 1/4-S	CRHS-20	H-40-L	HR-1 1/4X	-	CRH 20 VUU	-
CFH-1 3/8-S	CRHS-22	H-44-L	HR-1 3/8X	-	CRH 22 VUU	-
CFH-1 1/2-S	CRHS-24	H-48-L	HR-1 1/2X	-	CRH 24 VUU	-
CFH-1 5/8-S	CRHS-26	H-52-L	HR-1 5/8X	-	CRH 26 VUU	-
CFH-1 3/4-S	CRHS-28	H-56-L	HR-1 3/4X	-	CRH 28 VUU	-
CFH-1 7/8-S	CRHS-30	H-60-L	HR-1 7/8X	-	CRH 30 VUU	-
CFH-2-S	CRHS-32	H-64-L	HR-2X	-	CRH 32 VUU	-
CFH-2 1/4-S	CRHS-36	H-72-L	HR-2 1/4X	-	CRH 36 VUU	-
CFH-2 1/2-S	CRHS-40	H-80-L	HR-2 1/2X	-	CRH 40 VUU	-
CFH-2 3/4-S	CRHS-44	H-88-L	HR-2 3/4X	-	CRH 44 VUU	-
CFH-3-S	CRHS-48	H-96-L	HR-3X	-	CRH 48 VUU	-
CFH-3 1/4-S	CRHS-52	H-104-L	HR-3 1/4X	-	CRH 52 VUU	-
CFH-3 1/2-S	CRHS-56	H-112-L	HR-3 1/2X	-	CRH 56 VUU	-
CFH-4-S	CRHS-64	H-128-L	HR-4X	-	CRH 64 VUU	-
CFH-5-S	CRHSB-80	H-160-LW	-	-	-	-
CFH-6-S	CRHSB-96	H-192-LW	-	-	-	-
CFH-7-S	CRHSB-112	-	-	-	-	-

Interchange of Cam Follower - Inch Series

Metric	With Cage	Crowned OD	Hex Socket	With Seals	Concentric	CCFH
Inch	Full Roller	Cylindrical OD	Slot Socket	W/O Seals	Eccentric	

Mc.GILL	TORR. NSK	RBC	SMITH	INA SKF	IKO	NTN
CCFH-1/2	CRHC-8-1	CH-16	HR-1/2-C	-	CRH 8-1 VR	-
CCFH-9/16	-	CH-18	-	-	CRH 9 VR	-
CCFH-5/8	CRHC-10-1	CH-20	HR-5/8-C	-	CRH 10-1 VR	-
CCFH-11/16	-	CH-22	-	-	CRH 11 VR	-
CCFH-3/4	CRHC-12	CH-24	HR-3/4-C	-	CRH 12 VR	-
CCFH-7/8	CRHC-14	CH-28	HR-7/8-C	-	CRH 14 VR	-
CCFH-1	CRHC-16	CH-32	HR-1-C	-	CRH 16 VR	-
CCFH-1 1/8	CRHC-18	CH-36	HR-1 1/8-C	-	CRH 18 VR	-
CCFH-1 1/4	CRHC-20	CH-40	HR-1 1/4-C	-	CRH 20 VR	-
CCFH-1 3/8	CRHC-22	CH-44	HR-1 3/8-C	-	CRH 22 VR	-
CCFH-1 1/2	CRHC-24	CH-48	HR-1 1/2-C	-	CRH 24 VR	-
CCFH-1 5/8	CRHC-26	CH-52	HR-1 5/8-C	-	CRH 26 VR	-
CCFH-1 3/4	CRHC-28	CH-56	HR-1 3/4-C	-	CRH 28 VR	-
CCFH-1 7/8	CRHC-30	CH-60	HR-1 7/8-C	-	CRH 30 VR	-
CCFH-2	CRHC-32	CH-64	HR-2-C	-	CRH 32 VR	-
CCFH-2 1/4	CRHC-36	CH-72	HR-2 1/4-C	-	CRH 36 VR	-
CCFH-2 1/2	CRHC-40	CH-80	HR-2 1/2-C	-	CRH 40 VR	-
CCFH-2 3/4	CRHC-44	CH-88	HR-2 3/4-C	-	CRH 44 VR	-
CCFH-3	CRHC-48	CH-96	HR-3-C	-	CRH 48 VR	-
CCFH-3 1/4	CRHC-52	CH-104	HR-3 1/4-C	-	CRH 52 VR	-
CCFH-3 1/2	CRHC-56	CH-112	HR-3 1/2-C	-	CRH 56 VR	-
CCFH-4	CRHC-64	CH-128	HR-4-C	-	CRH 64 VR	-

Metric	With Cage	Crowned OD	Hex Socket	With Seals	Concentric	CCFH..S
Inch	Full Roller	Cylindrical OD	Slot Socket	W/O Seals	Eccentric	

Mc.GILL	TORR. NSK	RBC	SMITH	INA SKF	IKO	NTN
CCFH-1/2-S	CRHSC-8-1	CH-16-L	HR-1/2-XC	-	CRH 8-1 VUU	-
CCFH-9/16-S	-	CH-18-L	-	-	CRH 9 VUU	-
CCFH-5/8-S	CRHSC-10-1	CH-20-L	HR-5/8-XC	-	CRH 10-1 VUU	-
		CH-22-L	-	-	CRH 11 VUU	-
CCFH-3/4-S	CRHSC-12	CH-24-L	HR-3/4-XC	-	CRH 12 VUU	-
CCFH-7/8-S	CRHSC-14	CH-28-L	HR-7/8-XC	-	CRH 14 VUU	-
CCFH-1-S	CRHSC-16	CH-32-L	HR-1-XC	-	CRH 16 VUU	-
CCFH-1 1/8-S	CRHSC-18	CH-36-L	HR-1 1/8-XC	-	CRH 18 VUU	-
CCFH-1 1/4-S	CRHSC-20	CH-40-L	HR-1 1/4-XC	-	CRH 20 VUU	-
CCFH-1 3/8-S	CRHSC-22	CH-44-L	HR-1 3/8-XC	-	CRH 22 VUU	-
CCFH-1 1/2-S	CRHSC-24	CH-48-L	HR-1 1/2-XC	-	CRH 24 VUU	-
CCFH-1 5/8-S	CRHSC-26	CH-52-L	HR-1 5/8-XC	-	CRH 26 VUU	-
CCFH-1 3/4-S	CRHSC-28	CH-56-L	HR-1 3/4-XC	-	CRH 28 VUU	-
CCFH-1 7/8-S	CRHSC-30	CH-60-L	HR-1 7/8-XC	-	CRH 30 VUU	-
CCFH-2-S	CRHSC-32	CH-64-L	HR-2-XC	-	CRH 32 VUU	-
CCFH-2 1/4-S	CRHSC-36	CH-72-L	HR-2 1/4-XC	-	CRH 36 VUU	-
CCFH-2 1/2-S	CRHSC-40	CH-80-L	HR-2 1/2-XC	-	CRH 40 VUU	-
CCFH-2 3/4-S	CRHSC-44	CH-88-L	HR-2 3/4-XC	-	CRH 44 VUU	-
CCFH-3-S	CRHSC-48	CH-96-L	HR-3-XC	-	CRH 48 VUU	-
CCFH-3 1/4-S	CRHSC-52	CH-104-L	HR-3 1/4-XC	-	CRH 52 VUU	-
CCFH-3 1/2-S	CRHSC-56	CH-112-L	HR-3 1/2-XC	-	CRH 56 VUU	-
CCFH-4-S	CRHSC-64	CH-128-L	HR-4-XC	-	CRH 64 VUU	-
CCFH-5-S	CRHSBC-80	CH-160-LW	-	-	-	-
CCFH-6-S	CRHSBC-96	CH-192-LW	-	-	-	-
CCFH-7-S	CRHSBC-112	-	-	-	-	-

Interchange of Cam Follower - Inch Series

Metric	With Cage	Crowned OD	Hex Socket	With Seals	Concentric	CCFH..B
Inch	Full Roller	Cylindrical OD	Slot Socket	W/O Seals	Eccentric	

Mc.GILL	TORR. NSK	RBC	SMITH	INA SKF	IKO	NTN
CCFH-1/2-B	CRHBC-8-1	CH-16-W	HR-1/2BC	-	CRH 8-1 VBR	-
CCFH-9/16-B		CH-18-W		-	CRH 9 VBR	-
CCFH-5/8-B	CRHBC-10-1	CH-20-W	HR-5/8BC	-	CRH 10-1 VBR	-
		CH-22-W		-	CRH 11 VBR	-
CCFH-3/4-B	CRHBC-12	CH-24-W	HR-3/4BC	-	CRH 12 VBR	-
CCFH-7/8-B	CRHBC-14	CH-28-W	HR-7/8BC	-	CRH 14 VBR	-
CCFH-1-B	CRHBC-16	CH-32-W	HR-1BC	-	CRH 16 VBR	-
CCFH-1 1/8-B	CRHBC-18	CH-36-W	HR-1 1/8BC	-	CRH 18 VBR	-
CCFH-1 1/4-B	CRHBC-20	CH-40-W	HR-1 1/4BC	-	CRH 20 VBR	-
CCFH-1 3/8-B	CRHBC-22	CH-44-W	HR-1 3/8BC	-	CRH 22 VBR	-
CCFH-1 1/2-B	CRHBC-24	CH-48-W	HR-1 1/2BC	-	CRH 24 VBR	-
CCFH-1 5/8-B	CRHBC-26	CH-52-W	HR-1 5/8BC	-	CRH 26 VBR	-
CCFH-1 3/4-B	CRHBC-28	CH-56-W	HR-1 3/4BC	-	CRH 28 VBR	-
CCFH-1 7/8-B	CRHBC-30	CH-60-W	HR-1 7/8BC	-	CRH 30 VBR	-
CCFH-2-B	CRHBC-32	CH-64-W	HR-2BC	-	CRH 32 VBR	-
CCFH-2 1/4-B	CRHBC-36	CH-72-W	HR-2 1/4BC	-	CRH 36 VBR	-
CCFH-2 1/2-B	CRHBC-40	CH-80-W	HR-2 1/2BC	-	CRH 40 VBR	-
CCFH-2 3/4-B	CRHBC-44	CH-88-W	HR-2 3/4BC	-	CRH 44 VBR	-
CCFH-3-B	CRHBC-48	CH-96-W	HR-3BC	-	CRH 48 VBR	-
CCFH-3 1/4-B	CRHBC-52	CH-104-W	HR-3 1/4BC	-	CRH 52 VBR	-
CCFH-3 1/2-B	CRHBC-56	CH-112-W	HR-3 1/2BC	-	CRH 56 VBR	-
CCFH-4-B	CRHBC-64	CH-128-W	HR-4BC	-	CRH 64 VBR	-
CCFH-5-B	CRHBC-80	CH-160-LW	-	-	-	-
CCFH-6-B	CRHBC-96	CH-192-LW	-	-	-	-
CCFH-7-B	CRHBC-112	-	-	-	-	-

Metric	With Cage	Crowned OD	Hex Socket	With Seals	Concentric	CCFH..SB
Inch	Full Roller	Cylindrical OD	Slot Socket	W/O Seals	Eccentric	

Mc.GILL	TORR. NSK	RBC	SMITH	INA SKF	IKO	NTN
CCFH-1/2-SB	CRHSBC-8-1	CH-16-LW	HR-1/2XBC	-	CRH 8-1 VBUUR	-
CCFH-9/16-SB		CH-18-LW		-	CRH 9 VBUUR	-
CCFH-5/8-SB	CRHSBC-10-1	CH-20-LW	HR-5/8XBC	-	CRH 10-1 VBUUR	-
		CH-22-LW		-	CRH 11 VBUUR	-
CCFH-3/4-SB	CRHSBC-12	CH-24-LW	HR-3/4XBC	-	CRH 12 VBUUR	-
CCFH-7/8-SB	CRHSBC-14	CH-28-LW	HR-7/8XBC	-	CRH 14 VBUUR	-
CCFH-1-SB	CRHSBC-16	CH-32-LW	HR-1XBC	-	CRH 16 VBUUR	-
CCFH-1 1/8-SB	CRHSBC-18	CH-36-LW	HR-1 1/8XBC	-	CRH 18 VBUUR	-
CCFH-1 1/4-SB	CRHSBC-20	CH-40-LW	HR-1 1/4XBC	-	CRH 20 VBUUR	-
CCFH-1 3/8-SB	CRHSBC-22	CH-44-LW	HR-1 3/8XBC	-	CRH 22 VBUUR	-
CCFH-1 1/2-SB	CRHSBC-24	CH-48-LW	HR-1 1/2XBC	-	CRH 24 VBUUR	-
CCFH-1 5/8-SB	CRHSBC-26	CH-52-LW	HR-1 5/8XBC	-	CRH 26 VBUUR	-
CCFH-1 3/4-SB	CRHSBC-28	CH-56-LW	HR-1 3/4XBC	-	CRH 28 VBUUR	-
CCFH-1 7/8-SB	CRHSBC-30	CH-60-LW	HR-1 7/8XBC	-	CRH 30 VBUUR	-
CCFH-2-SB	CRHSBC-32	CH-64-LW	HR-2XBC	-	CRH 32 VBUUR	-
CCFH-2 1/4-SB	CRHSBC-36	CH-72-LW	HR-2 1/4XBC	-	CRH 36 VBUUR	-
CCFH-2 1/2-SB	CRHSBC-40	CH-80-LW	HR-2 1/2XBC	-	CRH 40 VBUUR	-
CCFH-2 3/4-SB	CRHSBC-44	CH-88-LW	HR-2 3/4XBC	-	CRH 44 VBUUR	-
CCFH-3-SB	CRHSBC-48	CH-96-LW	HR-3XBC	-	CRH 48 VBUUR	-
CCFH-3 1/4-SB	CRHSBC-52	CH-104-LW	HR-3 1/4XBC	-	CRH 52 VBUUR	-
CCFH-3 1/2-SB	CRHSBC-56	CH-112-LW	HR-3 1/2XBC	-	CRH 56 VBUUR	-
CCFH-4-SB	CRHSBC-64	CH-128-LW	HR-4XBC	-	CRH 64 VBUUR	-
CCFH-5-SB	CRHSBC-80	CH-160-LW	-	-	-	-
CCFH-6-SB	CRHSBC-96	CH-192-LW	-	-	-	-
CCFH-7-SB	CRHSBC-112	-	-	-	-	-

Interchange of Cam Follower - Inch Series

Metric	With Cage	Crowned OD	Hex Socket	With Seals	Concentric	CFE...S
Inch	Full Roller	Cylindrical OD	Slot Socket	W/O Seals	Eccentric	

Mc.GILL	TORR. NSK	RBC	SMITH	INA SKF	IKO	NTN
CFE-1/2-N-S	CRSE-8	-	CR-1/2-AXE	-	-	-
CFE-1/2-S	CRSE-8-1	S-16-LX	CR-1/2XE	CFE-8-1-PP	-	-
CFE-9/16-S	-	S-18-LX	CR-9/16XE	-	-	-
CFE-5/8-N-S	CRSE-10	-	CR-5/8-AXE	-	-	-
CFE-5/8-S	CRSE-10-1	S-20-LX	CR-5/8XE	CFE-10-1-PP	-	-
CFE-11/16-S	-	S-22-LX	CR-11/16XE	-	-	-
CFE-3/4-S	CRSE-12	S-24-LX	CR-3/4XE	CFE-12-PP	-	-
CFE-7/8-S	CRSE-14	S-28-LX	CR-7/8XE	CFE-14-PP	-	-
CFE-1-S	CRSE-16	S-32-LX	CR-1XE	CFE-16-PP	-	-
CFE-1 1/8-S	CRSE-18	S-36-LX	CR-1 1/8XE	CFE-18-PP	-	-
CFE-1 1/4-S	CRSE-20	S-40-LX	CR-1 1/4XE	CFE-20-PP	-	-
CFE-1 3/8-S	CRSE-22	S-44-LX	CR-1 3/8XE	CFE-22-PP	-	-
CFE-1 1/2-S	CRSE-24	S-48-LX	CR-1 1/2XE	CFE-24-PP	-	-
CFE-1 5/8-S	CRSE-26	S-52-LX	CR-1 5/8XE	CFE-26-PP	-	-
CFE-1 3/4-S	CRSE-28	S-56-LX	CR-1 3/4XE	CFE-28-PP	-	-
CFE-1 7/8-S	CRSE-30	S-60-LX	CR-1 7/8XE	CFE-30-PP	-	-
CFE-2-S	CRSE-32	S-64-LX	CR-2XE	CFE-32-PP	-	-
CFE-2 1/4-S	CRSE-36	S-72-LX	CR-2 1/4XE	CFE-36-PP	-	-
CFE-2 1/2-S	CRSE-40	S-80-LX	CR-2 1/2XE	CFE-40-PP	-	-
CFE-2 3/4-S	CRSE-44	S-88-LX	CR-2 3/4XE	CFE-44-PP	-	-
CFE-3-S	CRSE-48	S-96-LX	CR-3XE	CFE-48-PP	-	-
CFE-3 1/4-S	CRSE-52	S-104-LX	CR-3 1/4XE	CFE-52-PP	-	-
CFE-3 1/2-S	CRSE-56	S-112-LX	CR-3 1/2XE	CFE-56-PP	-	-
CFE-4-S	CRSE-64	S-128-LX	CR-4XE	CFE-64-PP	-	-

Metric	With Cage	Crowned OD	Hex Socket	With Seals	Concentric	CCFE...S
Inch	Full Roller	Cylindrical OD	Slot Socket	W/O Seals	Eccentric	

Mc.GILL	TORR. NSK	RBC	SMITH	INA SKF	IKO	NTN
CCFE-1/2-N-S	CRSEC-8	-	CR-1/2-A-XEC	-	-	-
CCFE-1/2-S	CRSEC-8-1	CS-16-LX	CR-1/2-XEC	CFE-8-1-YPP	-	-
CCFE-9/16-S	-	CS-18-LX	CR-9/16-XEC	-	-	-
CCFE-5/8-N-S	CRSEC-10	-	CR-5/8-A-XEC	-	-	-
CCFE-5/8-S	CRSEC-10-1	CS-20-LX	CR-5/8-XEC	CFE-10-1-YPP	-	-
CCFE-11/16-S	-	CS-22-LX	CR-11/16-XEC	-	-	-
CCFE-3/4-S	CRSEC-12	CS-24-LX	CR-3/4-XEC	CFE-12-YPP	-	-
CCFE-7/8-S	CRSEC-14	CS-28-LX	CR-7/8-XEC	CFE-14-YPP	-	-
CCFE-1-S	CRSEC-16	CS-32-LX	CR-1-XEC	CFE-16-YPP	-	-
CCFE-1 1/8-S	CRSEC-18	CS-36-LX	CR-1 1/8-XEC	CFE-18-YPP	-	-
CCFE-1 1/4-S	CRSEC-20	CS-40-LX	CR-1 1/4-XEC	CFE-20-YPP	-	-
CCFE-1 3/8-S	CRSEC-22	CS-44-LX	CR-1 3/8-XEC	CFE-22-YPP	-	-
CCFE-1 1/2-S	CRSEC-24	CS-48-LX	CR-1 1/2-XEC	CFE-24-YPP	-	-
CCFE-1 5/8-S	CRSEC-26	CS-52-LX	CR-1 5/8-XEC	CFE-26-YPP	-	-
CCFE-1 3/4-S	CRSEC-28	CS-56-LX	CR-1 3/4-XEC	CFE-28-YPP	-	-
CCFE-1 7/8-S	CRSEC-30	CS-60-LX	CR-1 7/8-XEC	CFE-30-YPP	-	-
CCFE-2-S	CRSEC-32	CS-64-LX	CR-2-XEC	CFE-32-YPP	-	-
CCFE-2 1/4-S	CRSEC-36	CS-72-LX	CR-2 1/4-XEC	CFE-36-YPP	-	-
CCFE-2 1/2-S	CRSEC-40	CS-80-LX	CR-2 1/2-XEC	CFE-40-YPP	-	-
CCFE-2 3/4-S	CRSEC-44	CS-88-LX	CR-2 3/4-XEC	CFE-44-YPP	-	-
CCFE-3-S	CRSEC-48	CS-96-LX	CR-3-XEC	CFE-48-YPP	-	-
CCFE-3 1/4-S	CRSEC-52	CS-104-LX	CR-3 1/4-XEC	CFE-52-YPP	-	-
CCFE-3 1/2-S	CRSEC-56	CS-112-LX	CR-3 1/2-XEC	CFE-56-YPP	-	-
CCFE-4-S	CRSEC-64	CS-128-LX	CR-4-XEC	CFE-64-YPP	-	-