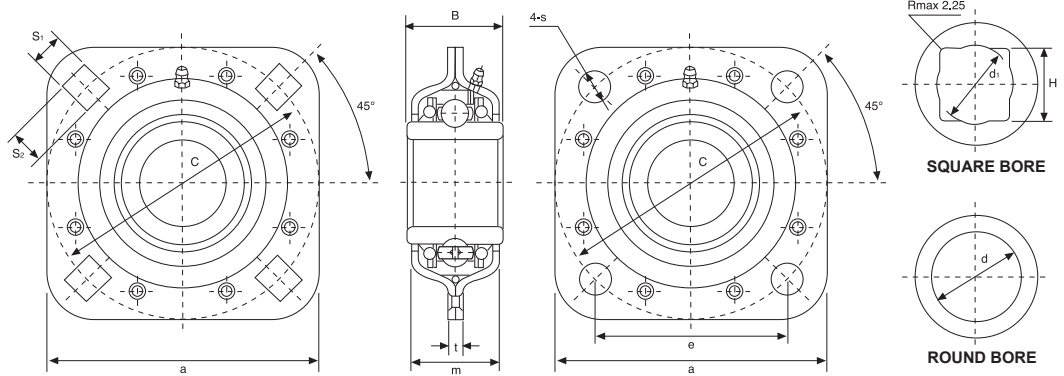


Agriculture Bearing Units

- ◇RD-round bore
- ◇SQ-square bore
- ◇H-hex bore



Unit NO.	Dimensions											Load ratings	
	H	d	a	B	m	t	C	s	s1	s2	d1	Dynamic	Static
	mm	mm	mm	mm	mm	mm	mm	mm	mm	mm	mm	N	N
ST209-1-1/8-SQ	29.972		127	42.8	42	6	127	13.5	13.5	17.45	32	31600	20600
ST209-30S-SQ	31.353		127	42.8	42	6	127	13.5	13.5	17.45	34.5	31600	20600
ST209-1-1/4-SQ	32.766		127	42.8	42	6	127	13.5	13.5	17.45	34.5	31600	20600
ST491B-RD		38.86	127	42.8	42	6	127	13.5	13.5	17.45		31600	20600
ST209-WR-RD		40.878	127	42.8	42	6	127	13.5	13.5	17.45		31600	20600
ST491A-RD		45	127	42.8	42	6	127	13.5	13.5	17.45		31600	20600
ST209-45R-RD		45.34	127	42.8	42	6	127	13.5	13.5	17.45		31600	20600
ST491AD-RD		45	121	46	42	6	121	13.5				31600	20600
ST21 1-1-1/2-SQ	38.89		139.7	50.8	46	8	139.7	13.5	13.5	17.45	42	43500	29200
ST211-40S-SQ	40.878		139.7	50.8	46	8	139.7	13.5	13.5	17.45	43.1	43500	29200
ST211-50R-RD		50.4	139.7	50.8	46	8	139.7	13.5	13.5	17.45		43500	29200
ST211-55R-RD		55.575	139.7	50.8	46	8	139.7	13.5	13.5	17.45		43500	29200
ST211 -1-3/4-RD		45.212	139.7	55.6	46	8	139.7	13.5	13.5	17.45		43500	29200
ST211-2-3/1 6-RD		55.575	139.7	55.6	46	8	139.7	13.5	13.5	17.45		43500	29200
ST211-1-15/16-RD		49.238	139.7	69.9	46	8	139.7	13.5	13.5	17.45		43500	29200
ST211-RD		55	139.7	55.6	46	8	139.7	13.5	13.5	17.45		43500	29200
ST740-RD		55.562	139.7	55.6	45	7	139.7	13.5	13.5	17.45		43500	29200