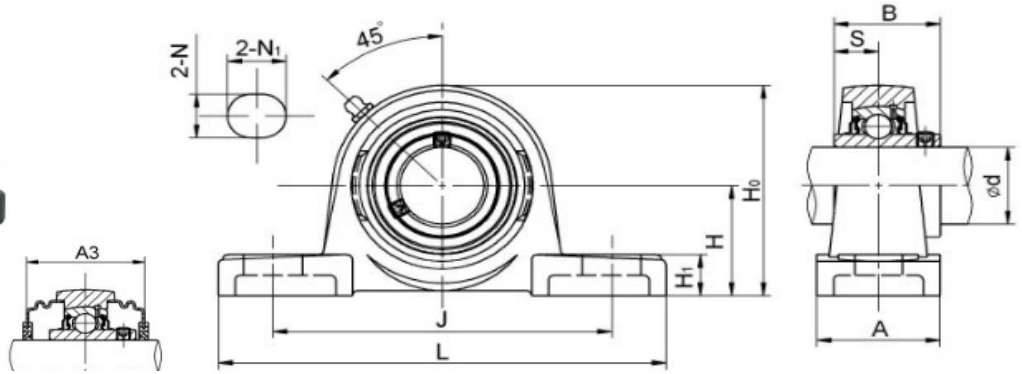
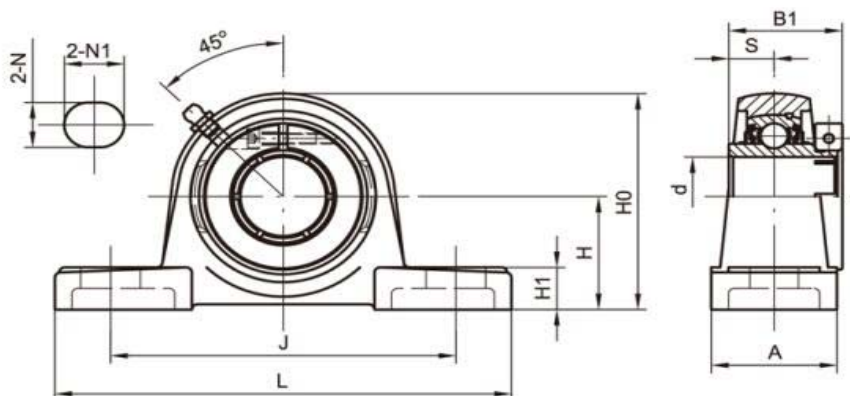


UCP200 (Normal-Duty)



Unit No.	Dimensions (mm)												Bolt Size	Bearing	Housing	Weight (kg)	
	d	H	L	J	A	N	N1	H1	Ho	B	S	A3					
UCSP201	12													M10 3/8	UCS201	P203S	0.72
UCSP202	15	30.2	125	95	32	13	18	13	57	27.4	11.5		UCS202		0.66		
UCSP203	17												UCS203		0.66		
UCP201	12													M10 3/8	UC201	P203	0.76
UCP201-8	12.7												UC201-8		0.76		
UCP202	15												UC202		0.74		
UCP202-9	14.288	30.2	127	95	38	13	19	14	61	31	12.7		UC202-9		0.74		
UCP202-10	15.875												UC202-10		0.74		
UCP203	17												UC203		0.72		
UCP203-11	17.463												UC203-11		0.72		
UCP204	20												M10 3/8	UC204	P204	0.7	
UCP204-12	19.05	33.3	127	95	38	13	19	14	64	31	12.7	46.4		UC204-12			
UCP205	25												M10 3/8	UC205	P205	0.76	
UCP205-14	22.225	36.5	140	105	38	13	19	15	71	34.1	14.3	48		UC205-14			
UCP205-16	25.4													UC205-16			
UCP206	30												M14 1/2	UC206	P206	1.25	
UCP206-18	28.575	42.9	160	121	42	17	20	6	84	38.1	15.9	52		UC206-18			
UCP206-20	31.75													UC206-20			
UCP207	35												M14 1/2	UC207	P207	1.55	
UCP207-20	31.75	47.6	167	126	48	17	20	17	92	42.9	17.5	59		UC207-20			
UCP207-22	34.925													UC207-22			
UCP208	40												M14 1/2	UC208	P208	1.9	
UCP208-24	38.1	49.2	181	137	53	17	20	18	99	49.2	19	68.2		UC208-24			
UCP208-25	39.688													UC208-25			
UCP209	45												M14 1/2	UC209	P209	2.2	
UCP209-26	41.275	54	190	146	54	17	20	20	106	49.2	19	70		UC209-26			
UCP209-28	44.45													UC209-28			
UCP210	50												M16 5/8	UC210	P210	2.75	
UCP210-30	47.625	57.2	206	159	60	20	23	21	114	51.6	19	76		UC210-30			
UCP210-32	50.8													UC210-32			
UCP211	55												M16	UC211	P211	3.3	
UCP211-32	50.8	63.5	220	172	60	20	23	23	125	55.6	22.2	76		UC211-32			
UCP212	60												M16	UC212	P212	4.7	
UCP212-36	57.15	69.9	241	186	70	20	23	25	137	65.1	25.4	89		UC212-36			
UCP213	65												M20	UC213	P213	5.6	
UCP213-40	63.5	76.2	262	203	70	25	28	26	149	65.1	25.4	89		UC213-40			
UCP214	70												M20	UC214	P214	6.6	
UCP214-44	69.85	79.4	266	210	72	25	28	28	157	74.6	30.2	98		UC214-44			
UCP215	75												M20	UC215	P215	7.3	
UCP215-48	76.2	82.6	272	217	72	25	28	28	159	77.8	33.3	97		UC215-48			
UCP216	80												M20	UC216	P216	9	
UCP216-52	82.55	88.9	292	232	80	25	30	30	174	82.6	33.3	110		UC216-52			
UCP217	85												M20	UC217	P217	10.8	
UCP217-52	82.55	95.2	310	247	82	25	28	32	185	85.7	34.1	114.2		UC217-52			
UCP218	90												M22	UC218	P218	13	
UCP218-56	88.9	101.6	324	262	87	27	30	33	197	96	39.7	124		UC218-56			
UCP220	100												M24	UC220	P220	16	
UCP220-64	101.6	115	380	305	95	30	36	40	225	108	42			UC220-64			

UEP Standard duty,Wider inner ring bearing, Concentric locking,Cast gray iron housing .

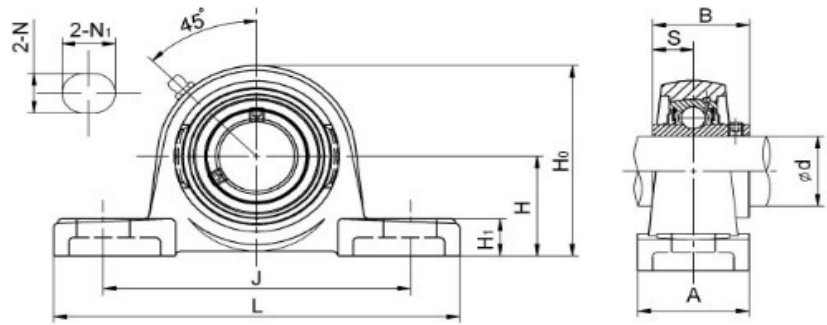


Unit No.	Shaft Dia		Dimensions (mm)										Bolt Size (mm)	Weight (kg)
	d (in)	(mm)	H	L	J	A	N	N1	H1	H0	B1	S		
UEP204		20	33.3	127	95	38	13	19	14	64	33	12.7	M10	0.68
UEP204-12	3/4"		33.3	127	95	38	13	19	14	64	33	12.7	M10	0.68
UEP205		25	36.5	140	105	38	13	19	15	71	35.4	14.3	M10	0.86
UEP205-14	7/8"		36.5	140	105	38	13	19	15	71	35.4	14.3	M10	0.86
UEP205-15	15/16"		36.5	140	105	38	13	19	15	71	35.4	14.3	M10	0.86
UEP205-16	1"		36.5	140	105	38	13	19	15	71	35.4	14.3	M10	0.86
UEP206		30	42.9	160	121	44	17	21	16	82	39.8	15.9	M14	1.2
UEP206-17	1-1/16"		42.9	160	121	44	17	21	16	82	39.8	15.9	M14	1.2
UEP206-18	1-1/8"		42.9	160	121	44	17	21	16	82	39.8	15.9	M14	1.2
UEP206-19	1-3/16"		42.9	160	121	44	17	21	16	82	39.8	15.9	M14	1.2
UEP206-20	1-1/4"		42.9	160	121	44	17	21	16	82	39.8	15.9	M14	1.2
UEP207		35	47.6	167	126	48	17	21	17	92	43.9	17.5	M14	1.6
UEP207-20	1-1/4"		47.6	167	126	48	17	21	17	92	43.9	17.5	M14	1.6
UEP207-21	1-5/16"		47.6	167	126	48	17	21	17	92	43.9	17.5	M14	1.6
UEP207-22	1-3/8"		47.6	167	126	48	17	21	17	92	43.9	17.5	M14	1.6
UEP207-23	1-7/16"		47.6	167	126	48	17	21	17	92	43.9	17.5	M14	1.6
UEP208		40	49.2	180	137	52	17	21	18	99	50.2	19	M14	2
UEP208-24	1-1/2"		49.2	180	137	52	17	21	18	99	50.2	19	M14	2
UEP208-25	1-9/16"		49.2	180	137	52	17	21	18	99	50.2	19	M14	2
UEP209		45	54	190	146	54	17	21	20	106	50.2	19	M14	2.32
UEP209-26	1-5/8"		54	190	146	54	17	21	20	106	50.2	19	M14	2.32
UEP209-27	1-11/16"		54	190	146	54	17	21	20	106	50.2	19	M14	2.32
UEP209-28	1-3/4"		54	190	146	54	17	21	20	106	50.2	19	M14	2.32
UEP210		50	57.2	206	159	60	20	25	21	114	52.6	19	M16	2.91
UEP210-30	1-7/8"		57.2	206	159	60	20	25	21	114	52.6	19	M16	2.91
UEP210-31	1-15/16"		57.2	206	159	60	20	25	21	114	52.6	19	M16	2.91
UEP210-32	2"		57.2	206	159	60	20	25	21	114	52.6	19	M16	2.91
UEP211		55	63.5	217	172	60	20	25	23	125	56.6	22.2	M16	3.65
UEP211-32	2"		63.5	217	172	60	20	25	23	125	56.6	22.2	M16	3.65
UEP211-34	2-1/8"		63.5	217	172	60	20	25	23	125	56.6	22.2	M16	3.65
UEP211-35	2-3/16"		63.5	217	172	60	20	25	23	125	56.6	22.2	M16	3.65
UEP212		60	69.9	238	186	70	20	25	24	137	66.6	25.4	M16	4.87
UEP212-36	2-1/4"		69.9	238	186	70	20	25	24	137	66.6	25.4	M16	4.87
UEP212-38	2-3/8"		69.9	238	186	70	20	25	24	137	66.6	25.4	M16	4.87
UEP212-39	2-7/16"		69.9	238	186	70	20	25	24	137	66.6	25.4	M16	4.87

Notes:

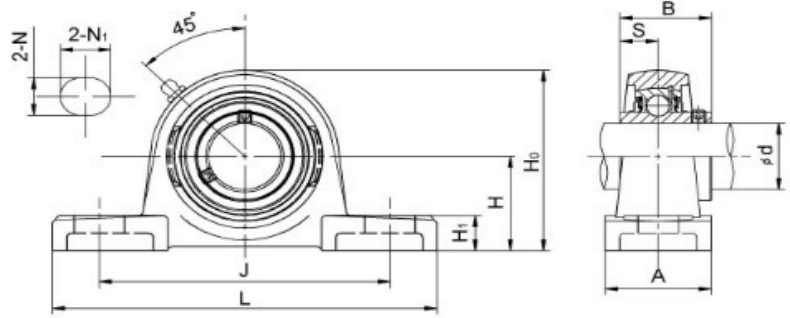
- Grease fittings available at 90° positions.
- Bearing housing solid base optional,add suffix SB as designation.
- Cast ductile iron housing available upon request.

UCPX (Medium-Duty)



Unit No.	Dimensions (mm)											Bolt Size	Bearing	Housing	Weight (kg)	
	d	H	L	J	A	N	N1	H1	Ho	B	S					
UCPX05	25												M14 1/2	UCX05	PX05	1.5
UCPX05-13	20.638															
UCPX05-14	22.225	44.4	159	119	51	17	20	18	85	38.1	15.9					
UCPX05-15	23.813															
UCPX05-16	25.4															
UCPX06	30											M14 1/2	UCX06	PX06	2.1	
UCPX06-18	28.575	47.6	175	127	57	17	20	20	93	42.9	17.5					
UCPX06-20	31.75															
UCPX07	35											M14 1/2	UCX07	PX07	2.7	
UCPX07-22	34.925	54	203	144	57	17	20	21	105	49.2	19					
UCPX08	40											M16 5/8	UCX08	PX08	3.3	
UCPX08-24	38.1	58.7	222	156	67	20	23	26	112	49.2	19					
UCPX08-25	39.688															
UCPX09	45											M16 5/8	UCX09	PX09	3.3	
UCPX09-26	41.275	58.7	222	156	67	20	23	26	116	51.6	19					
UCPX09-28	44.45															
UCPX10	50											M16 5/8	UCX10	PX10	4.3	
UCPX10-30	47.625	63.5	240	171	73	20	23	28	127	55.6	22.2					
UCPX10-31	49.213															
UCPX10-32	50.8															
UCPX11	55											M20 3/4	UCX11	PX11	5.7	
UCPX11-34	53.975	69.8	260	184	79	25	28	30	137	65.1	25.4					
UCPX11-36	57.152															
UCPX12	60											M20 3/4	UCX12	PX12	7.3	
UCPX12-38	60.325	76.2	286	203	83	25	28	34	151	65.1	25.4					
UCPX13	65											M20 3/4	UCX13	PX13	7.6	
UCPX13-40	63.5	76.2	286	203	83	25	28	34	154	74.6	30.2					
UCPX14	70											M22 7/8	UCX14	PX14	9.9	
UCPX14-44	69.85	88.9	330	229	89	27	30	34	170	77.8	33.3					
UCPX15	75											M22 7/8	UCX15	PX15	11	
UCPX15-48	76.2	88.9	330	229	89	27	30	35	176	82.6	33.3					
UCPX16	80											M22 7/8	UCX16	PX16	15	
UCPX16-51	80.963	101.6	378	283	102	27	30	40	194	85.7	34.1					
UCPX17	85											M22 7/8	UCX17	PX17	16	
UCPX17-53	84.138	101.6	380	283	102	27	30	40	200	96	39.7					
UCPX18	90											M22 7/8	UCX18	PX18	19.1	
UCPX18-56	88.9	101.6	381	283	106	27	30	40	206	104	42.9					
UCPX20	100											M27 1	UCX20	PX20	30.4	
UCPX20-64	101.6	127	432	3337	120	33	36	45	244	117.5	49.2					

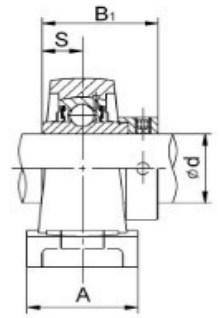
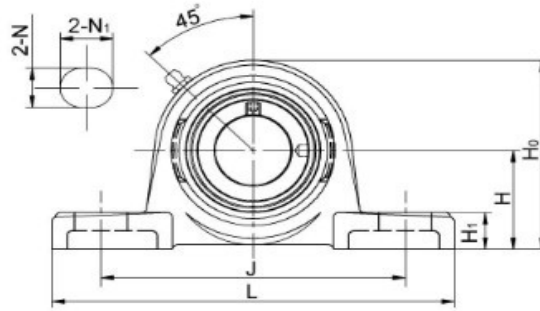
UCP300 (Heavy-Duty)



Unit No.	Dimensions (mm)											Bolt Size	Bearing	Housing	Weight (kg)
	d	H	L	J	A	N	N1	H1	Ho	B	S				
UCP305 UCP305-16	25 25.4	45	175	132	45	17	20	16	85	38	15	M14 1/2	UC305 UC305-16	P305	1.4
UCP306 UCP306-18	30 28.575	50	180	140	50	17	20	18	95	43	17	M14 1/2	UC306 UC306-18	P306	1.8
UCP307 UCP307-20	35 31.75	56	210	160	56	17	25	20	106	48	19	M14 1/2	UC307 UC307-20	P307	2.8
UCP308 UCP308-24	40 38.1	60	220	170	60	17	25	24	116	52	19	M14 1/2	UC308 UC308-24	P308	3.08
UCP309 UCP309-28	45 44.45	67	245	190	67	20	30	25	129	57	22	M16 5/8	UC309 UC309-28	P309	4.1
UCP310 UCP310-30	50 47.627	75	275	212	75	20	35	27	143	61	22	M16 5/8	UC310 UC310-30	P310	6
UCP311 UCP311-32	55 50.8	80	310	236	80	20	38	30	154	66	25	M16 5/8	UC311 UC311-32	P311	7.4
UCP312 UCP312-38	60 60.325	85	330	250	85	25	38	32	165	71	26	M20 3/4	UC312 UC312-38	P312	9.4
UCP313 UCP313-40	65 63.5	90	340	260	90	25	38	33	178	75	30	M20 3/4	UC313 UC313-40	P313	10
UCP314 UCP314-44	70 69.85	95	360	280	90	27	40	35	187	78	33	M22 7/8	UC314 UC314-44	P314	12
UCP315 UCSP315-48	75 76.2	100	377	290	100	27	40	35	198	82	32	M22 7/8	UC315 UCS315-48	P315	14
UCP316 UCP316-50	80 79.375	106	398	300	110	27	40	40	210	86	34	M22 7/8	UC316 UC316-50	P316	18
UCP317 UCP317-52	85 82.553	112	420	320	110	33	45	40	222	96	40	M27 1	UC317 UC317-52	P317	20
UCP318 UCP318-56	90 88.9	118	430	330	110	33	46	45	235	96	40	M27 1	UC318 UC318-56	P318	24
UCP319 UCP319-60	95 95.254	125	470	360	120	36	50	46	250	103	41	M30 1-1/8	UC319 UC319-60	P319	26.5
UCP320 UCP320-64	100 101.6	140	490	380	120	36	50	50	275	108	42	M30 1-1/8	UC320 UC320-64	P320	34.3
UCP321	105	140	490	380	120	36	50	50	280	112	44	M30	UC321	P321	36.6
UCP322	110	150	520	400	140	40	55	55	300	117	46	M33	UC322	P322	42.5
UCP324	120	160	570	450	140	40	55	65	320	126	51	M33	UC324	P324	53.5
UCP326	130	180	600	480	140	40	55	75	355	135	54	M33	UC326	P326	72.1
UCP328	140	200	620	500	140	40	55	75	390	145	59	M33	UC328	P328	89.1

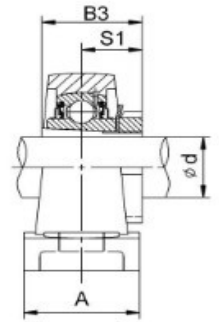
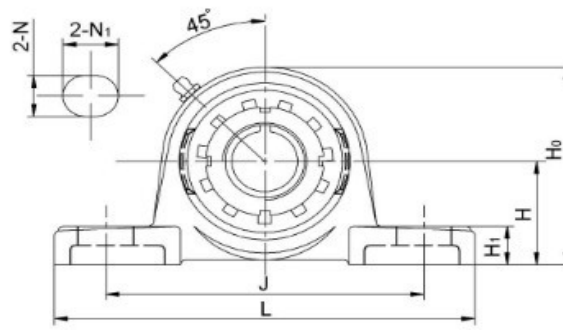
* Grease fittings available at 90° and 45° positions.

NAP2 (Normal-Duty)



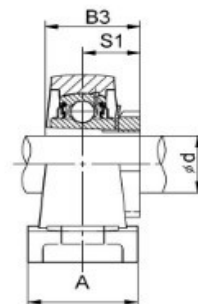
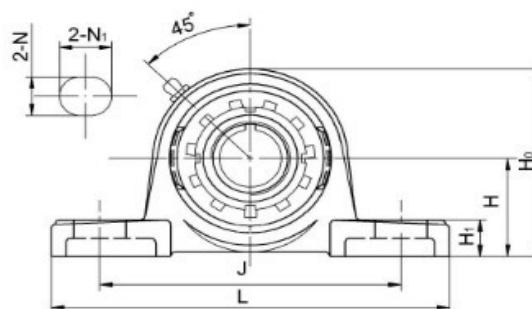
Unit No.	Dimensions (mm)											Bolt Size	Bearing	Housing	Weight (kg)	
	d	H	L	J	A	N	N1	H1	Ho	B1	S					
NAP201	12												M10 3/8	NA201 NA201-8 NA202 NA202-9 NA202-10 NA203 NA203-11	P203	0.72
NAP201-8	12.7															
NAP202	15															
NAP202-9	14.288	30.2	127	95	38	13	19	14	61	43.7	17.1					
NAP202-10	15.875															
NAP203	17															
NAP203-11	17.463															
NAP204	20	33.3	127	95	38	13	19	14	64	43.7	17.1	M10 3/8	NA204 NA204-12	P204	0.72	
NAP205	25	36.5	140	105	38	13	19	15	71	44.4	17.5	M10 3/8	NA205 NA205-16	P205	0.8	
NAP205-16	25.4															
NAP206	30	42.9	160	121	42	17	20	6	84	48.4	18.3	M14 1/2	NA206 NA206-18	P206	1.35	
NAP206-18	28.575															
NAP207	35	47.6	167	126	48	17	20	17	92	51.1	18.8	M14 1/2	NA207 NA207-20	P207	1.7	
NAP207-20	31.75															
NAP208	40	49.2	181	137	53	17	20	18	99	56.3	21.4	M14 1/2	NA208 NA208-24	P208	2	
NAP208-24	38.1															
NAP209	45	54	190	146	54	17	20	20	106	56.3	21.4	M14 1/2	NA209 NA209-28	P209	2.42	
NAP209-28	44.45															
NAP210	50	57.2	206	159	60	20	23	21	114	62.7	24.6	M16 5/8	NA210 NA210-30	P210	2.75	
NAP210-30	47.625															
NAP211	55	63.5	220	172	60	20	23	23	125	71.4	27.8	M16 5/8	NA211 NA211-32	P211	3.56	
NAP211-32	50.8															
NAP212	60	69.9	241	186	70	20	23	25	137	77.8	31	M16 5/8	NA212 NA212-38	P212	5.2	
NAP212-38	60.325															
NAP213	65	76.2	262	203	70	25	28	26	149	85.7	34.3	M20 3/4	NA213 NA213-40	P213	6.3	
NAP213-40	63.5															
NAP214	70	79.4	266	210	72	25	28	28	157	85.7	34.3	M20 3/4	NA214 NA214-44	P214	7	
NAP214-44	69.85															
NAP215	75	82.6	272	217	72	25	28	28	159	92.1	37.3	M20 3/4	NA215 NA215-48	P215	7.8	
NAP215-48	76.2															

UKP2 + H (Normal-Duty)



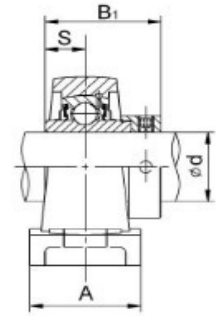
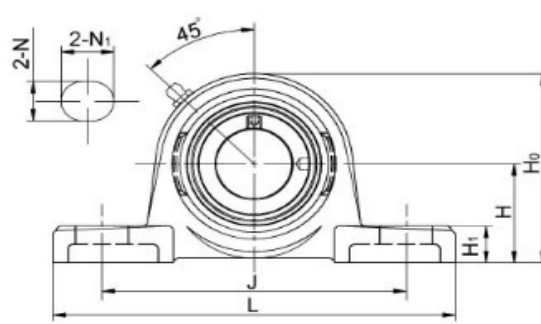
Unit No.	Dimensions (mm)											Bolt Size	Bearing	Housing	Weight (kg)
	d	H	L	J	A	N	N1	H1	Ho	B3	S1				
UKP205+H2305	20	36.5	140	105	38	13	19	15	71	35	18.5	M10 3/8	UK205	P205	0.83
UKP205+HE2305	19.05														
UKP206+H2306	25	42.9	160	121	42	17	20	16	84	38	20.5	M14 1/2	UK206	P206	1.3
UKP206+HS2306	22.225														
UKP206+HA2306	23.813														
UKP206+HE2306	25.4														
UKP207+H2307	30	47.6	167	126	48	17	20	17	92	43	22.5	M14 1/2	UK207	P207	1.5
UKP207+HE2307	28.575														
UKP207+HS2307	30.163														
UKP208+H2308	35	49.2	181	137	53	17	20	18	99	46	24.5	M14 1/2	UK208	P208	2
UKP208+HE2308	31.75														
UKP208+HS2308	34.925														
UKP209+H2309	40	54	190	146	54	17	20	20	106	50	26	M14 1/2	UK209	P209	2.3
UKP209+HA2309	36.513														
UKP209+HE2309	38.1														
UKP210+H2310	50	57.2	206	159	60	20	23	21	114	55	27.5	M16 5/8	UK210	P210	2.75
UKP210+HS2310	41.275														
UKP210+HA2310	42.863														
UKP210+HE2310	44.45														
UKP211+H2311	50	63.5	220	172	60	20	23	23	125	59	28.5	M16 5/8	UK211	P211	3.3
UKP211+HS2311	47.625														
UKP211+HA2311	49.213														
UKP211+HE2311	50.8														
UKP212+H2312	55	69.9	241	186	70	20	23	25	137	62	31	M16 5/8	UK212	P212	4.7
UKP212+HA2312	52.388														
UKP212+HS2312	53.975														
UKP213+H2313	60	76.2	262	203	70	25	28	26	149	65	32	M20 3/4	UK213	P213	5.9
UKP213+HA2313	55.563														
UKP213+HE2313	57.15														
UKP213+HS2313	60.325														
UKP215+H2315	65	82.6	272	217	72	25	28	28	159	73	35.5	M20 3/4	UK215	P215	7.6
UKP215+HA2315	61.913														
UKP215+HE2315	63.5														
UKP216+H2316	70	88.9	292	232	80	25	30	30	174	78	39	M20 3/4	UK216	P216	9.2
UKP216+HA2316	68.263														
UKP216+HE2316	69.85														
UKP217+H2317	75	95.2	310	247	82	25	28	32	185	82	40	M20 3/4	UK217	P217	10.8
UKP217+HA2317	74.613														
UKP217+HE2317	76.2														
UKP218+H2318	80	101.6	324	262	87	27	30	33	197	86	42	M22 7/8	UK218	P218	13
UKP218+HS2318	79.375														
UKP218+HA2318	80.963														

UKP300+H (Heavy-Duty)



Unit No.	Dimensions (mm)											Bolt Size	Bearing	Housing	Weight (kg)
	d	H	L	J	A	N	N1	H1	Ho	B3	S1				
UKP305+H2305	20	45	175	132	45	17	20	16	85	35	21.5	M14 1/2	UK305	P305	1.4
UKP305+HE2305	19.05														
UKP306+H2306	25	50	180	140	50	17	20	18	95	38	23	M14 1/2	UK306	P306	1.8
UKP306+HS2306	22.225														
UKP306+HA2306	23.813														
UKP306+HE2306	25.4														
UKP307+H2307	30	56	210	160	56	17	25	20	106	43	25.5	M14 1/2	UK307	P307	2.9
UKP307+HE2307	28.575														
UKP307+HS2307	30.163														
UKP308+H2308	35	60	220	170	60	17	25	24	116	46	27.5	M14	UK308	P308	3.1
UKP308+HE2308	31.75														
UKP308+HS2308	34.925														
UKP309+H2309	40	67	245	190	67	20	30	25	129	50	30	M16 5/8	UK309	P309	4.2
UKP309+HA2309	36.513														
UKP309+HE2309	38.1														
UKP309+HS2309	41.275														
UKP310+H2310	45	75	275	212	75	20	35	27	143	55	32	M16 5/8	UK310	P310	5.8
UKP310+HS2310	41.275														
UKP310+HA2310	42.863														
UKP310+HE2310	44.45														
UKP311+H2311	50	80	310	236	80	20	38	30	154	59	33.5	M16 5/8	UK311	P311	7.4
UKP311+HA2311	47.625														
UKP311+HS2311	49.213														
UKP311+HE2311	50.8														
UKP312+H2312	55	85	330	250	85	25	38	32	165	62	36.5	M20 3/4	UK312	P312	9.3
UKP312+HS2312	53.975														
UKP313+H2313	60	90	340	260	90	25	38	33	178	65	38.5	M20	UK313	P313	10
UKP313+HA2313	55.563														
UKP313+HE2313	57.15														
UKP313+HS2313	60.325														
UKP315+H2315	65	95	360	280	90	27	40	35	187	73	42.5	M22	UK315	P315	15
UKP315+HA2315	61.913														
UKP315+HE2315	63.5														
UKP316+H2316	70	100	377	290	100	33	40	35	198	78	44.5	M22	UK316	P316	18
UKP316+HA2316	68.263														
UKP316+HE2316	69.85														
UKP317+H2317	75	106	398	300	110	33	40	40	210	82	48	M22	UK317	P317	20
UKP317+HA2317	74.613														
UKP317+HE2317	76.2														
UKP318+H2318	80	112	420	320	110	33	45	40	222	86	48	M27	UK318	P318	24
UKP318+HA2318	80.963														
UKP319+H2319	85	125	470	360	120	36	50	46	250	90	52	M30	UK319	P319	29
UKP319+HE2319	82.55														
UKP320+H2320	90	140	488	380	120	36	50	50	275	97	51	M30	UK320	P320	35
UKP320+HE2320	88.9														

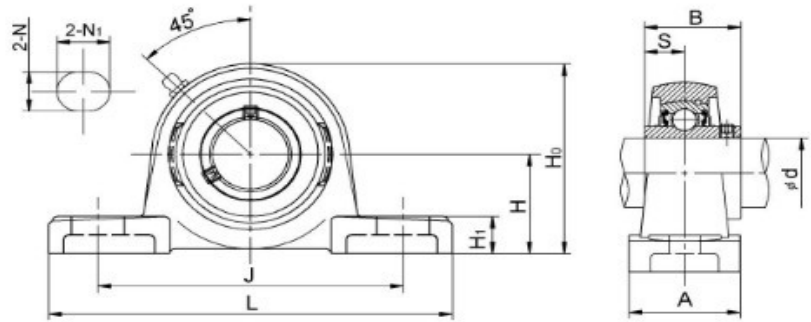
NAP300 (Heavy-Duty)



Unit No.	Dimensions (mm)											Bolt Size	Bearing	Housing	Weight (kg)
	d	H	L	J	A	N	N1	H1	Ho	B1	S				
NAP305 NAP305-16	25 25.4	45	175	132	45	17	20	16	85	46.8	16.7	M14 1/2	NA305 NA305-16	P305	1.4
NAP306 NAP306-18	30 28.575	50	180	140	50	17	20	18	95	50	17.5	M14 1/2	NA306 NA306-18	P306	1.9
NAP307 NAP307-20	35 31.75	56	210	160	56	17	25	20	106	51.6	18.3	M14 1/2	NA307 NA307-20	P307	2.9
NAP308 NAP308-24	40 38.1	60	220	170	60	17	25	24	116	57.1	19.8	M14 1/2	NA308 NA308-24	P308	3.1
NAP309 NAP309-28	45 44.45	67	245	190	67	20	30	25	129	58.7	19.8	M16 5/8	NA309 NA309-28	P309	4.3
NAP310 NAP310-30	50 47.627	75	275	212	75	20	35	27	143	66.6	24.6	M16 5/8	NA310 NA310-30	P310	6
NAP311 NAP311-32	55 50.8	80	310	236	80	20	38	30	154	73	27.8	M16 5/8	NA311 NA311-32	P311	7.7
NAP312 NAP312-38	60 60.325	85	330	250	85	25	38	32	165	79.4	30.95	M20 3/4	NA312 NA312-38	P312	9.7
NAP313 NAP313-40	65 63.5	90	340	260	90	25	38	33	178	85.2	32.55	M20 3/4	NA313 NA313-40	P313	11
NAP314 NAP314-44	70 69.85	95	360	280	90	27	40	35	187	92.1	34.15	M22 7/8	NA314 NA314-44	P314	12
NAP315 NAP315-48	75 76.2	100	377	290	100	27	40	35	198	100	37.3	M22 7/8	NA315 NA315-48	P315	15
NAP316 NAP316-50	80 79.375	106	398	300	110	27	40	40	210	106.4	40.5	M22 7/8	NA316 NA316-50	P316	19
NAP317 NAP317-52	85 82.553	112	420	320	110	33	45	40	222	109.5	42	M27 1	NA317 NA317-52	P317	21
NAP318 NAP318-56	90 88.9	118	430	330	110	33	46	45	235	115.9	43.6	M27 1	NA318 NA318-56	P318	25
NAP319 NAP319-60	95 95.254	125	470	360	120	36	50	46	250	122.3	46.8	M30 1-1/8	NA319 NA319-60	P319	30
NAP320 NAP320-64	100 101.6	140	490	380	120	36	50	50	275	128.6	50	M30 1-1/8	NA320 NA320-64	P320	37

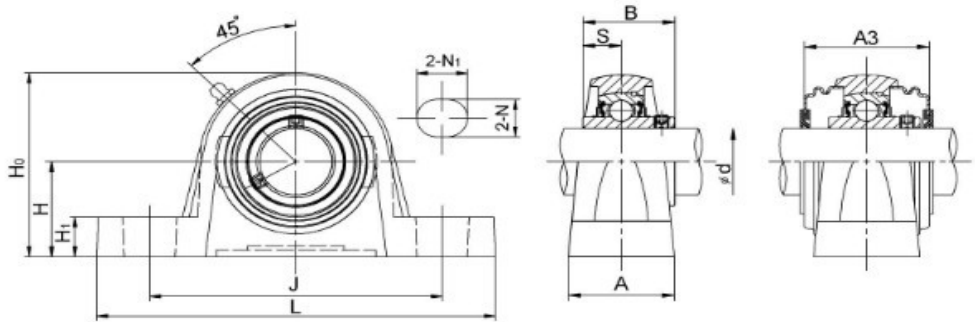
* Grease fittings available at 90° and 45° positions.

UCAK2



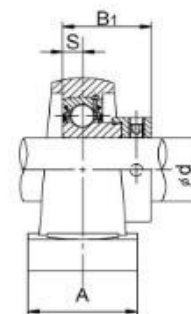
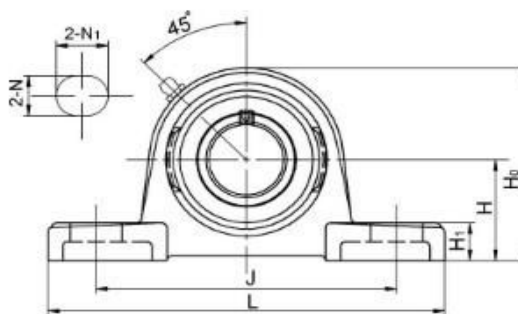
Unit No.	Dimensions (mm)											Bolt Size	Bearing	Housing	Weight (kg)		
	d	H	L	J	A	N	N1	H1	Ho	B	S						
UCAK201	12																
UCAK201-8	12.7																
UCAK202	15																
UCAK202-9	14.288	27	121	89	35	12	16	13	54	26	10	M10 3/8	UC202-9	AK203	0.74		
UCAK202-10	15.875												UC202-10				
UCAK203	17												UC203				
UCAK203-11	17.463												UC203-11				
UCAK204	20	31.8	133	98	41	12	16	14.3	64	31	12.7	M10 3/8	UC204	AK204	0.77		
UCAK204-12													UC204-12				
UCAK205	25												UC205				
UCAK205-14	22.225	33.3	140	105	45	12	16	16	68	34	14.3	M10 3/8	UC205-14	AK205	0.91		
UCAK205-15	23.813												UC205-15				
UCAK205-16	25.4												UC205-16				
UCAK206	30												UC206				
UCAK206-17	26.988												UC206-17	AK206	1.27		
UCAK206-18	28.575	39.7	160	121	48	15	19	17	80	38.1	15.9	M12 7/16	UC206-18				
UCAK206-19	30.163												UC206-19				
UCAK206-20	31.75												UC206-20				
UCAK207	35												UC207				
UCAK207-20	31.75												UC207-20	AK207	1.59		
UCAK207-21	33.338	46	167	127	48	15	19	18	92	42.9	17.5	M12 7/16	UC207-21				
UCAK207-22	34.925												UC207-22				
UCAK207-23	36.513												UC207-23				
UCAK208	40												UC208				
UCAK208-24	38.1	49.2	181	140	54	15	19	19	100	49.2	19	M12 7/16	UC208-24	AK208	2.06		
UCAK208-25	39.688												UC208-25				
UCAK209	45												UC209				
UCAK209-28	44.45	52.4	190	146	54	15	19	21	106	49.2	19	M12 7/16	UC209-28	AK209	2.33		
UCAK210	50												UC210				
UCAK210-30	47.625	55.6	203	159	57	15	19	22	113	51.6	19	M16 5/8	UC210-30	AK210	2.68		
UCAK211	55												UC211				
UCAK211-32	50.8	61.9	232	181	60	20	24	25	125	55.6	22.2	M16 5/8	UC211-32	AK211	3.62		
UCAK212	60												UC212				
UCAK212-38	60.325	68.3	241	190	64	20	24	29	138	65.1	25.4	M16 5/8	UC212-38	AK212	4.61		
UCAK213	65												UC213				
UCAK213-40	63.5	68.3	248	194	70	22	29	27	141	65.1	25.4	M20 3/4	UC213-40	AK213	6.42		
UCAK214	70												UC214				
UCAK214-44	69.85	82.6	294	232	72	22	32	29	160	74.6	30.2	M20 3/4	UC214-44	AK214	7.18		
UCAK215	75												UC215				
UCAK215-48	76.2	84.1	304	241	74	22	32	32	165	77.8	33.3	M20 3/4	UC215-48	AK215	8.86		

UCPE2



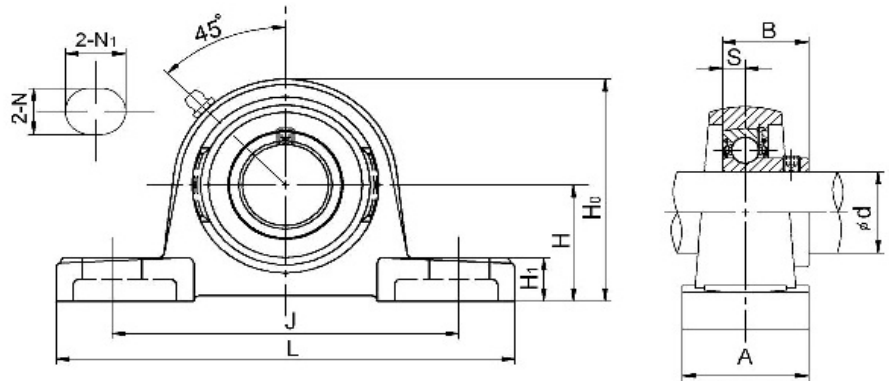
Unit No.	Dimensions (mm)												Bolt Size	Bearing	Housing	Weight (kg)	
	d	H	L	J	A	N	N1	H1	Ho	B	S	A3					
UCPE201	12													M8 5/16	UC201	PE203	0.57
UCPE201-8	12.7												UC201-8				
UCPE202	15												UC202				
UCPE202-9	14.288	30.2	124	95	31	11	15	14	57.1	26	10		UC202-9				
UCPE202-10	15.875												UC202-10				
UCPE203	17												UC203				
UCPE203-11	17.463												UC203-11				
UCPE204	20	33.3	127	95	38	13	16	15	65	31	12.7	46.4	M10 3/8	UC204	PE204	0.82	
UCPE204-12														UC204-12			
UCPE205	25												M10 3/8	UC205	PE205	0.94	
UCPE205-14	22.225	36.5	140	105	38	13	19	16	70	34.1	14.3	48		UC205-14			
UCPE205-15	23.813													UC205-15			
UCPE205-16	25.4													UC205-16			
UCPE206	30												M14 1/2	UC206	PE206	1.46	
UCPE206-17	26.988	42.9	160	121	48	17	21	18	83	38.1	15.9	52		UC206-17			
UCPE206-18	28.575													UC206-18			
UCPE206-19	30.163													UC206-19			
UCPE206-20	31.75													UC206-20			
UCPE207	35												M14 1/2	UC207	PE207	1.76	
UCPE207-20	31.75	47.6	167	127	48	17	21	19	94	42.9	17.5	59		UC207-20			
UCPE207-21	33.338													UC207-21			
UCPE207-22	34.925													UC207-22			
UCPE207-23	36.513													UC207-23			
UCPE208	40												M14 1/2	UC208	PE208	2.13	
UCPE208-24	38.1	49.2	180	137	54	17	25	19	101	49.2	19	68.2		UC208-24			
UCPE208-25	39.688													UC208-25			
UCPE209	45												M14 1/2	UC209	PE209	2.43	
UCPE209-28	44.45	54	190	146	54	17	25	20	108	49.2	19	70		UC209-28			
UCPE210	50												M16 5/8	UC210	PE210	3.13	
UCPE210-30	47.625	57.2	206	159	60	20	25	22	114	51.6	19	76		UC210-30			
UCPE211	55												M16 5/8	UC211	PE211	3.87	
UCPE211-32	50.8	63.5	219	171	60	20	25	22	126	55.6	22.2	76		UC211-32			
UCPE212	60												M16 5/8	UC212	PE212	5.51	
UCPE212-38	60.325	69.9	241	184	70	20	25	25	138	65.1	25.4	89		UC212-38			
UCPE213	65												M20 3/4	UC213	PE213	6.63	
UCPE213-40	63.5	76.2	265	203	70	25	29	27	150	65.1	25.4	89		UC213-40			
UCPE214	70												M20 3/4	UC214	PE214	7.46	
UCPE214-44	69.85	79.4	266	210	72	25	31	28	156	74.6	30.2	98		UC214-44			
UCPE215	75												M20 3/4	UC215	PE215	8.21	
UCPE215-48	76.2	82.6	275	217	74	25	31	28	163	77.8	33.3	97		UC215-48			

SALP200



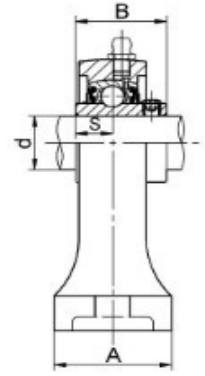
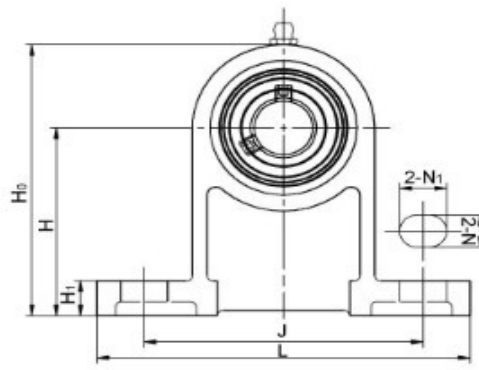
Unit No.	Dimensions (mm)											Bolt Size	Bearing	Housing	Weight (kg)	
	d	H	L	J	A	N	N1	H1	H0	B1	S					
SALP201	12												M10 3/8	SA201	LP203	0.4
SALP201-8	12.7											SA201-8				
SALP202	15											SA202				
SALP202-9	14.288	30.2	114	87	25	11	16	12	57	28.6	6.5	SA202-9				
SALP202-10	15.875											SA202-10				
SALP203	17											SA203				
SALP203-11	17.463											SA203-11				
SALP204	20	33.3	125	97	27	11.5	16	14	63.8	30.9	7.5	M10 3/8	SA204	LP204	0.7	
SALP204-12													SA204-12			
SALP205	25											M10 3/8	SA205	LP205	0.76	
SALP205-13	20.638												SA205-13			
SALP205-14	22.225	36.5	130	100	29	14	16	15	69.5	30.9	7.5		SA205-14			
SALP205-15	23.813												SA205-15			
SALP205-16	25.4												SA205-16			
SALP206	30											M12 7/16	SA206	LP206	1.25	
SALP206-17	26.988												SA206-17			
SALP206-18	28.575	42.9	156	121	33	14	21	16	82	35.7	9		SA206-18			
SALP206-19	30.163												SA206-19			
SALP206-20	31.75												SA206-20			
SALP207	35											M12 7/16	SA207	LP207	1.55	
SALP207-20	31.75												SA207-20			
SALP207-21	33.338	47.6	165	127	35	14	21	16	93	38.9	9.5		SA207-21			
SALP207-22	34.925												SA207-22			
SALP207-23	36.513												SA207-23			

SBLP200



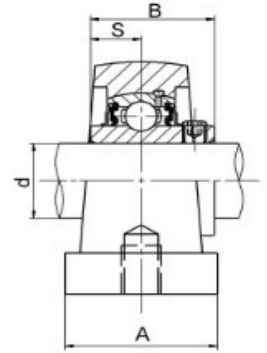
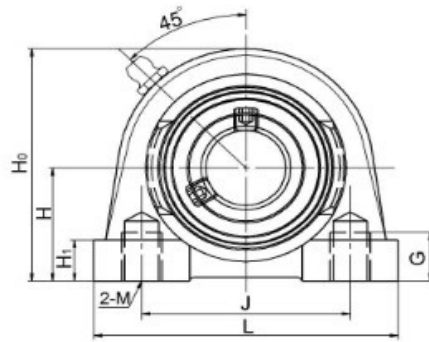
Unit No.	Dimensions (mm)											Bolt Size	Bearing	Housing	Weight (kg)	
	d	H	L	J	A	N	N1	H1	Ho	B	S					
SBLP201	12												M10 3/8	SB201	LP203	0.4
SBLP201-8	12.7											SB201-8				
SBLP202	15											SB202				
SBLP202-9	14.288	30.2	114	87	25	11	16	12	57	22	6.5	SB202-9				
SBLP202-10	15.875											SB202-10				
SBLP203	17											SB203				
SBLP203-11	17.463											SB203-11				
SBLP204	20	33.3	125	97	27	11.5	16	14	63.8	25	7.5	M10 3/8	SB204	LP204	0.52	
SBLP204-12												SB204-12				
SBLP205	25											M10 3/8	SB205	LP205	0.61	
SBLP205-13	20.638												SB205-13			
SBLP205-14	22.225	36.5	130	100	29	14	16	15	69.5	27	7.5		SB205-14			
SBLP205-15	23.813												SB205-15			
SBLP205-16	25.4												SB205-16			
SBLP206	30											M12 7/16	SB206	LP206	0.73	
SBLP206-17	26.988												SB206-17			
SBLP206-18	28.575	42.9	156	121	33	14	21	16	82	30	9		SB206-18			
SBLP206-19	30.163												SB206-19			
SBLP206-20	31.75												SB206-20			
SBLP207	35											M12 7/16	SB207	LP207	1.00	
SBLP207-20	31.75												SB207-20			
SBLP207-21	33.338	47.6	165	127	35	14	21	16	93	32	9.5		SB207-21			
SBLP207-22	34.925												SB207-22			
SBLP207-23	36.513												SB207-23			

UCPH2



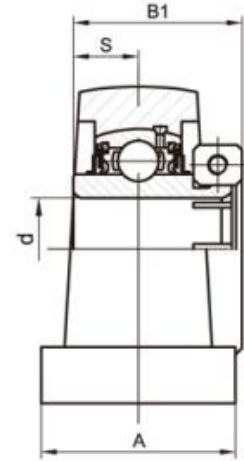
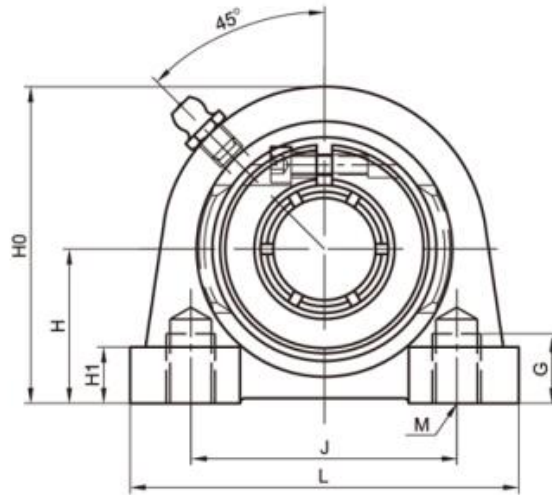
Unit No.	Dimensions (mm)												Bolt Size	Bearing No	Housing No	Weight (kg)			
	d	H	L	J	A	N	N1	H1	Ho	B	S	A3							
UCPH201	12													M10 3/8	UC201	PH204	0.96		
UCPH201-8	12.7												UC201-8						
UCPH202	15												UC202						
UCPH202-9	14.288												UC202-9						
UCPH202-10	15.875	70	127	95	40	13	19	15	101	31	12.7		UC202-10						
UCPH203	17												UC203						
UCPH203-11	17.463												UC203-11						
UCPH204	20												UC204						
UCPH204-12	19.05												UC204-12						
UCPH205	25												M10 3/8		UC205			PH205	1.2
UCPH205-14	22.225	80	140	105	50	13	19	16	114	34.1	14.3				UC205-14				
UCPH205-15	23.813														UC205-15				
UCPH205-16	25.4													UC205-16					
UCPH206	30												M14 1/2	UC206	PH206	1.6			
UCPH206-17	26.988													UC206-17					
UCPH206-18	28.575	90	161	121	50	17	21	18	130	38.1	15.9			UC206-18					
UCPH206-19	30.163													UC206-19					
UCPH206-20	31.75													UC206-20					
UCPH207	35												M14 1/2	UC207	PH207	2.1			
UCPH207-20	31.75													UC207-20					
UCPH207-21	33.338	95	167	127	60	17	21	19	140	42.9	17.5			UC207-21					
UCPH207-22	34.925													UC207-22					
UCPH207-23	36.513													UC207-23					
UCPH208	40												M14 1/2	UC208	PH208	2.7			
UCPH208-24	38.1	100	178	137	70	17	21	20	150	49.2	19			UC208-24					
UCPH208-25	39.688													UC208-25					
UCPH209	45												M14 1/2	UC209	PH209	3.1			
UCPH209-26	41.275	105	190	146	70	17	21	20	158	49.2	19			UC209-26					
UCPH209-27	42.863													UC209-27					
UCPH209-28	44.45													UC209-28					
UCPH210	50												M16 5/8	UC210	PH210	3.5			
UCPH210-30	47.625	110	206	159	70	20	23	22	165	51.6	19			UC210-30					
UCPH210-31	49.213													UC210-31					
UCPH210-32	50.8													UC210-32					
UCPH211	55												M16 5/8	UC211	PH211	4.07			
UCPH211-32	50.8	120	219	171	75	20	23	23	181	55.6	22.2			UC211-32					
UCPH211-34	53.975													UC211-34					
UCPH211-35	55.563													UC211-35					
UCPH212	60												M16 5/8	UC212	PH212	6.31			
UCPH212-36	57.15	130	243	184	85	20	23	24	197	65.1	25.4			UC212-36					
UCPH212-38	60.325													UC212-38					
UCPH212-39	61.913													UC212-39					

UCPA200



Unit No.	Dimensions(mm)											Bolt Size (mm)	Bearing No	Housing No	Weight (kg)	
	d	H	L	J	A	G	H1	Ho	M	B	s					
UCSPA201	12													UCS201		0.67
UCSPA202	15	30.2	71	48	36	9	10	57	M10	27.4	11.5	M10	UCS202	P203S	0.63	
UCSPA203	17												UCS203		0.62	
UCPA201	12												UC201		0.67	
UCPA201-8	12.7												UC201-8			
UCPA202	15												UC202			
UCPA202-9	14.288	30.2	76	52	38	13	11	62	M10	31	12.7	M10	UC202-9	PA203	0.63	
UCPA202-10	15.875												UC202-10		0.62	
UCPA203	17												UC203			
UCPA203-11	17.463												UC203-11			
UCPA204	20	30.2	76	52	38	13	11	62	M10	31	12.7	M10	UC204	PA204	0.6	
UCPA204-12	19.05												UC204-12			
UCPA205	25												UC205		0.81	
UCPA205-14	22.225	36.5	84	56	38	15	12	72	M10	34.1	14.3	M10	UC205-14	PA205		
UCPA205-15	23.813												UC205-15			
UCPA205-16	25.4												UC205-16			
UCPA206	30												UC206		1.2	
UCPA206-17	26.988												UC206-17			
UCPA206-18	28.575	42.9	94	66	48	18	12	84	M14	38.1	15.9	M14	UC206-18	PA206		
UCPA206-19	30.163												UC206-19			
UCPA206-20	31.75												UC206-20			
UCPA207	35												UC207		1.7	
UCPA207-20	31.75												UC207-20			
UCPA207-21	33.338	47.6	110	80	48	20	13	95	M14	42.9	17.5	M14	UC207-21	PA207		
UCPA207-22	34.925												UC207-22			
UCPA207-23	36.513												UC207-23			
UCPA208	40												UC208		1.9	
UCPA208-24	38.1	49.2	116	84	54	20	13	100	M14	49.2	19	M14	UC208-24	PA208		
UCPA208-25	39.688												UC208-25			
UCPA209	45												UC209		2.2	
UCPA209-26	41.275	54.2	120	90	54	25	13	108	M14	49.2	19	M14	UC209-26	PA209		
UCPA209-27	42.863												UC209-27			
UCPA209-28	44.45												UC209-28			
UCPA210	50												UC210		2.6	
UCPA210-30	47.625	57.2	130	94	60	25	14	116	M16	51.6	19	M16	UC210-30	PA210		
UCPA210-31	49.213												UC210-31			
UCPA210-32	50.8												UC210-32			
UCPA211	55												UC211		3	
UCPA211-32	50.8	63.5	140	104	66	25	14	125	M16	55.6	22.2	M16	UC211-32	PA211		
UCPA211-34	53.975												UC211-34			
UCPA211-35	55.563												UC211-35			
UCPA212	60												UC212		4.24	
UCPA212-36	57.15	69.9	150	114	68	25	17	138	M16	65.1	25.4	M16	UC212-36	PA212		
UCPA212-38	60.325												UC212-38			
UCPA212-39	61.913												UC212-39			

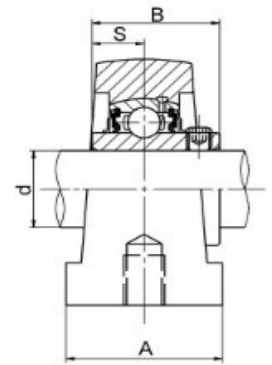
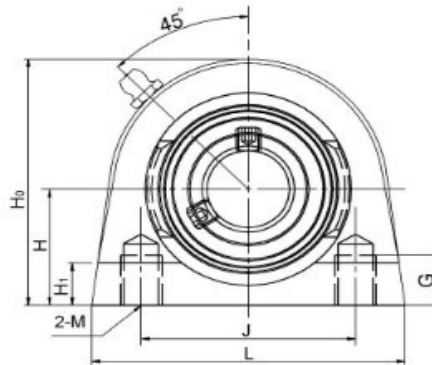
Standard duty,Wider inner ring bearing, Concentric locking,Cast gray iron housing .



Unit No.	Shaft Dia		Dimensions(mm)										Bolt Size (mm)	Weight (kg)
	d (in)	d (mm)	H	L	J	A	G	H1	Ho	M	B1	s		
UEPA204		20	30.2	76	52	38	13	11	62	M10	33	12.7	M10	0.65
UEPA204-12	3/4		30.2	76	52	38	13	11	62	M10	33	12.7	M10	0.65
UEPA205		25	36.5	84	56	38	15	12	72	M10	35.4	14.3	M10	0.85
UEPA205-14	7/8		36.5	84	56	38	15	12	72	M10	35.4	14.3	M10	0.85
UEPA205-15	15/16		36.5	84	56	38	15	12	72	M10	35.4	14.3	M10	0.85
UEPA205-16	1		36.5	84	56	38	15	12	72	M10	35.4	14.3	M10	0.85
UEPA206		30	42.9	94	66	48	18	12	84	M14	39.8	15.9	M14	1.3
UEPA206-17	1-1/16		42.9	94	66	48	18	12	84	M14	39.8	15.9	M14	1.3
UEPA206-18	1-1/8		42.9	94	66	48	18	12	84	M14	39.8	15.9	M14	1.3
UEPA206-19	1-3/16		42.9	94	66	48	18	12	84	M14	39.8	15.9	M14	1.3
UEPA206-20	1-1/4		42.9	94	66	48	18	12	84	M14	39.8	15.9	M14	1.3
UEPA207		35	47.6	110	80	48	20	13	95	M14	43.9	17.5	M14	1.7
UEPA207-20	1-1/4		47.6	110	80	48	20	13	95	M14	43.9	17.5	M14	1.7
UEPA207-21	1-5/16		47.6	110	80	48	20	13	95	M14	43.9	17.5	M14	1.7
UEPA207-22	1-3/8		47.6	110	80	48	20	13	95	M14	43.9	17.5	M14	1.7
UEPA207-23	1-7/16		47.6	110	80	48	20	13	95	M14	43.9	17.5	M14	1.7
UEPA208		40	49.2	116	84	54	20	13	100	M14	50.2	19	M14	2.12
UEPA208-24	1-1/2		49.2	116	84	54	20	13	100	M14	50.2	19	M14	2.12
UEPA208-25	1-9/16		49.2	116	84	54	20	13	100	M14	50.2	19	M14	2.12
UEPA209		45	54.2	120	90	54	25	13	108	M14	50.2	19	M14	2.54
UEPA209-26	1-5/8		54.2	120	90	54	25	13	108	M14	50.2	19	M14	2.54
UEPA209-27	1-11/16		54.2	120	90	54	25	13	108	M14	50.2	19	M14	2.54
UEPA209-28	1-3/4		54.2	120	90	54	25	13	108	M14	50.2	19	M14	2.54
UEPA210		50	57.2	130	94	60	25	14	116	M16	52.6	19	M16	3.25
UEPA210-30	1-7/8		57.2	130	94	60	25	14	116	M16	52.6	19	M16	3.25
UEPA210-31	1-15/16		57.2	130	94	60	25	14	116	M16	52.6	19	M16	3.25
UEPA210-32	2		57.2	130	94	60	25	14	116	M16	52.6	19	M16	3.25
UEPA211		55	63.5	140	104	66	25	14	125	M16	56.6	22.2	M16	3.63
UEPA211-32	2		63.5	140	104	66	25	14	125	M16	56.6	22.2	M16	3.63
UEPA211-34	2-1/8		63.5	140	104	66	25	14	125	M16	56.6	22.2	M16	3.63
UEPA211-35	2-3/16		63.5	140	104	66	25	14	125	M16	56.6	22.2	M16	3.63
UEPA212		60	69.9	150	114	68	25	17	138	M16	66.6	25.4	M16	4.7
UEPA212-36	2-1/4		69.9	150	114	68	25	17	138	M16	66.6	25.4	M16	4.7
UEPA212-38	2-3/8		69.9	150	114	68	25	17	138	M16	66.6	25.4	M16	4.7
UEPA212-39	2-7/16		69.9	150	114	68	25	17	138	M16	66.6	25.4	M16	4.7

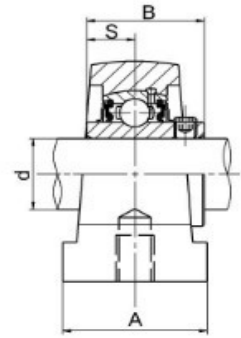
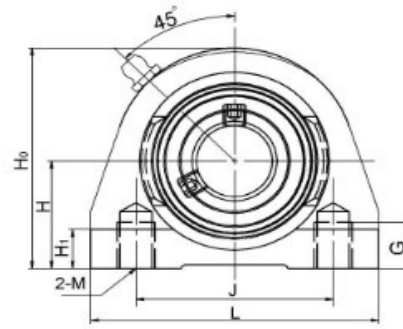
Cast DUCTILE iron housing available upon request

UCPG200



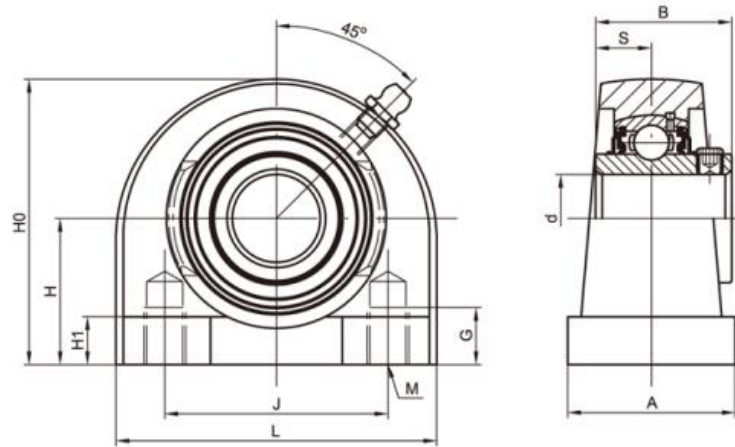
Unit No.	Dimensions(mm)											Bolt Size (mm)	Bearing No	Housing No	Weight (kg)	
	d	H	L	J	A	G	H1	Ho	M	B	s					
UCPG201	12													UC201	PG204	0.8
UCPG201-8	12.7												UC201-8			
UCPG202	15													UC202	PG204	0.79
UCPG202-9	14.288												UC202-9			
UCPG202-10	15.875	33.3	70	49	38	14	11	64	M8	31	12.7	M8	UC202-10	PG204	0.77	
UCPG203	17													UC203	PG204	0.77
UCPG203-11	17.463												UC203-11			
UCPG204	20													UC204	PG204	0.76
UCPG204-12	19.05												UC204-12			
UCPG205	25													UC205	PG205	0.91
UCPG205-14	22.225	36.5	75	50	38	15	12	70	M10	34.1	14.3	M10	UC205-14			
UCPG205-15	23.813													UC205-15	PG205	0.91
UCPG205-16	25.4												UC205-16			
UCPG206	30													UC206	PG206	1.42
UCPG206-17	26.988												UC206-17			
UCPG206-18	28.575	42.9	85	60	48	17	12	84	M10	38.1	15.9	M10	UC206-18	PG206	1.42	
UCPG206-19	30.163													UC206-19	PG206	1.42
UCPG206-20	31.75												UC206-20			
UCPG207	35													UC207	PG207	1.91
UCPG207-20	31.75												UC207-20			
UCPG207-21	33.338	47.6	100	68	48	17	13	93	M12	42.9	17.5	M12	UC207-21	PG207	1.91	
UCPG207-22	34.925													UC207-22	PG207	1.91
UCPG207-23	36.513												UC207-23			
UCPG208	40													UC208	PG208	2.28
UCPG208-24	38.1	49.2	110	78	54	20	13	98	M12	49.2	19	M12	UC208-24			
UCPG208-25	39.688													UC208-25	PG208	2.28
UCPG209	45												UC209			
UCPG209-26	41.275	53.9	120	85	54	20	14	106	M12	49.2	19	M12	UC209-26	PG209	2.61	
UCPG209-27	42.863													UC209-27	PG209	2.61
UCPG209-28	44.45												UC209-28			
UCPG210	50													UC210	PG210	3.28
UCPG210-30	47.625	57.2	135	95	60	21	14	114	M16	51.6	19	M16	UC210-30			
UCPG210-31	49.213													UC210-31	PG210	3.28
UCPG210-32	50.8												UC210-32			

UCPW200



Unit No.	Dimensions(mm)											Bolt Size (mm)	Bearing No	Housing No	Weight (kg)	
	d	H	L	J	A	G	H1	Ho	M	B	s					
UCPW201	12													UC201		0.8
UCPW201-8	12.7												UC201-8			
UCPW202	15												UC202			
UCPW202-9	14.288												UC202-9			
UCPW202-10	15.875	33.3	65	50.8	32	13	13	64	M8	31	12.7	M8	UC202-10	PW204		
UCPW203	17												UC203			
UCPW203-11	17.463												UC203-11			
UCPW204	20												UC204			
UCPW204-12	19.05												UC204-12		0.76	
UCPW205	25												UC205		0.91	
UCPW205-14	22.225	36.5	70	50.8	36	13	13	70	M10	34.1	14.3	M10	UC205-14	PW205		
UCPW205-15	23.813												UC205-15			
UCPW205-16	25.4												UC205-16			
UCPW206	30												UC206		1.42	
UCPW206-17	26.988												UC206-17			
UCPW206-18	28.575	42.9	98	76.2	38	16	15	82	M10	38.1	15.9	M10	UC206-18	PW206		
UCPW206-19	30.163												UC206-19			
UCPW206-20	31.75												UC206-20			
UCPW207	35												UC207		1.91	
UCPW207-20	31.75												UC207-20			
UCPW207-21	33.338	47.6	103	82.6	45	19	15	93	M10	42.9	17.5	M10	UC207-21	PW207		
UCPW207-22	34.925												UC207-22			
UCPW207-23	36.513												UC207-23			
UCPW208	40												UC208		2.28	
UCPW208-24	38.1	49.2	116	88.9	48	19	15	99	M12	49.2	19	M12	UC208-24	PW208		
UCPW208-25	39.688												UC208-25			
UCPW209	45												UC209		2.61	
UCPW209-26	41.275	53.9	120	95.3	48	19	18	107	M12	49.2	19	M12	UC209-26	PW209		
UCPW209-27	42.863												UC209-27			
UCPW209-28	44.45												UC209-28			
UCPW210	50												UC210		3.28	
UCPW210-30	47.625	57.2	135	101.6	54	22	18	115	M16	51.6	19	M16	UC210-30	PW210		
UCPW210-31	49.213												UC210-31			
UCPW210-32	50.8												UC210-32			

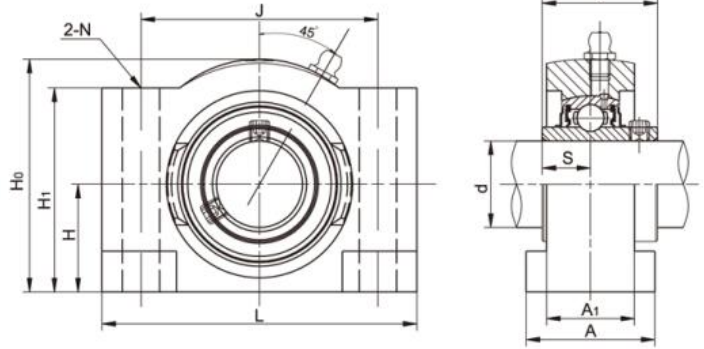
Standard duty, Wider inner ring bearing, Concentric locking, Cast gray iron housing .



Unit No.	Shaft Dia		Dimensions(mm)										Weight (kg)
	d		H	L	J	A	H1	Ho	G	M	S	B	
	(in)	(mm)											
UCTB201		12	33.3	73	50.8	38	10.9	65	13	3/8-16UNC	12.7	31	0.77
UCTB201-8	1/2		33.3	73	50.8	38	10.9	65	13	3/8-16UNC	12.7	31	0.77
UCTB202		15	33.3	73	50.8	38	10.9	65	13	3/8-16UNC	12.7	31	0.75
UCTB202-9	9/16		33.3	73	50.8	38	10.9	65	13	3/8-16UNC	12.7	31	0.75
UCTB202-10	5/8		33.3	73	50.8	38	10.9	65	13	3/8-16UNC	12.7	31	0.75
UCTB203		17	33.3	73	50.8	38	10.9	65	13	3/8-16UNC	12.7	31	0.74
UCTB203-11	11/16		33.3	73	50.8	38	10.9	65	13	3/8-16UNC	12.7	31	0.74
UCTB204		20	33.3	73	50.8	38	10.9	65	13	3/8-16UNC	12.7	31	0.73
UCTB204-12	3/4		33.3	73	50.8	38	10.9	65	13	3/8-16UNC	12.7	31	0.73
UCTB205		25	36.5	76	50.8	38	12	71	13	3/8-16UNC	14.3	34.1	0.83
UCTB205-14	7/8		36.5	76	50.8	38	12	71	13	3/8-16UNC	14.3	34.1	0.83
UCTB205-15	15/16		36.5	76	50.8	38	12	71	13	3/8-16UNC	14.3	34.1	0.83
UCTB205-16	1		36.5	76	50.8	38	12	71	13	3/8-16UNC	14.3	34.1	0.83
UCTB206		30	42.9	102	76.2	38	12	86	16	7/16-14UNC	15.9	38.1	1.36
UCTB206-17	1-1/16		42.9	102	76.2	38	12	86	16	7/16-14UNC	15.9	38.1	1.36
UCTB206-18	1-1/8		42.9	102	76.2	38	12	86	16	7/16-14UNC	15.9	38.1	1.36
UCTB206-19	1-3/16		42.9	102	76.2	38	12	86	16	7/16-14UNC	15.9	38.1	1.36
UCTB206-20	1-1/4		42.9	102	76.2	38	12	86	16	7/16-14UNC	15.9	38.1	1.36
UCTB207		35	47.6	108	82.6	48	13	95	19	1/2-13UNC	17.5	42.9	1.83
UCTB207-20	1-1/4		47.6	108	82.6	48	13	95	19	1/2-13UNC	17.5	42.9	1.83
UCTB207-21	1-5/16		47.6	108	82.6	48	13	95	19	1/2-13UNC	17.5	42.9	1.83
UCTB207-22	1-3/8		47.6	108	82.6	48	13	95	19	1/2-13UNC	17.5	42.9	1.83
UCTB207-23	1-7/16		47.6	108	82.6	48	13	95	19	1/2-13UNC	17.5	42.9	1.83
UCTB208		40	49.2	117	88.9	48	13	100	19	1/2-13UNC	19	49.2	2.13
UCTB208-24	1-1/2		49.2	117	88.9	48	13	100	19	1/2-13UNC	19	49.2	2.13
UCTB208-25	1-9/16		49.2	117	88.9	48	13	100	19	1/2-13UNC	19	49.2	2.13
UCTB209		45	54	127	95.3	51	14	108	20	1/2-13UNC	19	49.2	2.75
UCTB209-26	1-5/8		54	127	95.3	51	14	108	20	1/2-13UNC	19	49.2	2.75
UCTB209-27	1-11/16		54	127	95.3	51	14	108	20	1/2-13UNC	19	49.2	2.75
UCTB209-28	1-3/4		54	127	95.3	51	14	108	20	1/2-13UNC	19	49.2	2.75
UCTB210		50	57.2	140	101.6	51	14	117	22	5/8-11UNC	19	51.9	3.08
UCTB210-30	1-7/8		57.2	140	101.6	51	14	117	22	5/8-11UNC	19	51.9	3.08
UCTB210-31	1-15/16		57.2	140	101.6	51	14	117	22	5/8-11UNC	19	51.9	3.08
UCTB210-32	2		57.2	140	101.6	51	14	117	22	5/8-11UNC	19	51.9	3.08
UCTB211		55	57.2	140	101.6	51	14	117.5	22	5/8-11UNC	22.2	55.6	3.37
UCTB211-32	2		57.2	140	101.6	51	14	117.5	22	5/8-11UNC	22.2	55.6	3.37
UCTB211-34	2-1/8		57.2	140	101.6	51	14	117.5	22	5/8-11UNC	22.2	55.6	3.37
UCTB211-35	2-3/16		57.2	140	101.6	51	14	117.5	22	5/8-11UNC	22.2	55.6	3.37

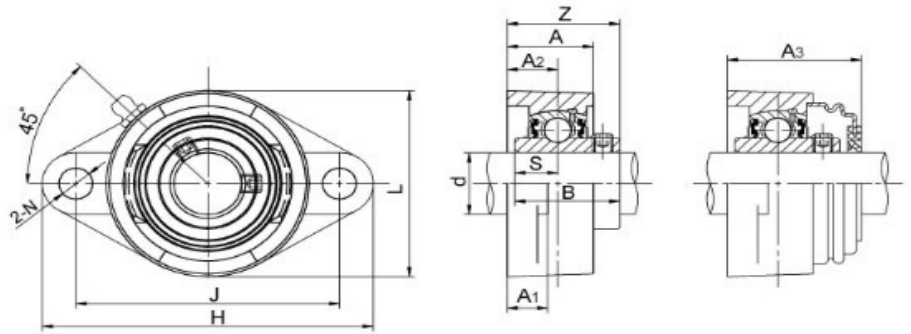
Cast DUCTILE iron housing available upon request

Standard duty, Cast gray iron housing, Cast ductile iron housing available upon request



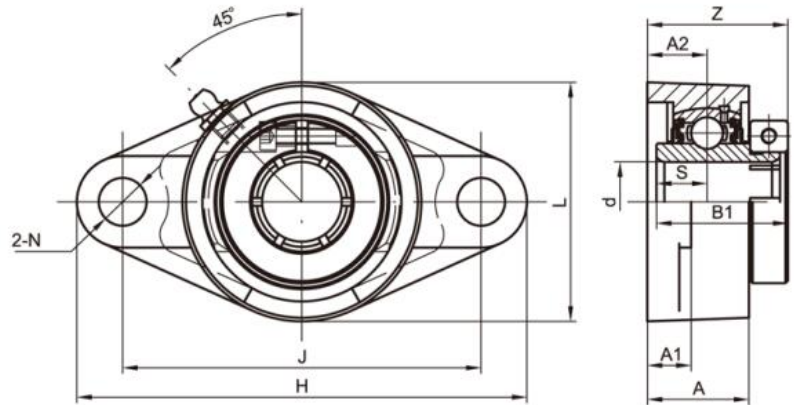
Unit No.	Shaft Dia		Dimensions (mm)										Bolt Size		Weight (kg)
	d		H	L	J	A	A1	H1	Ho	N	B	s	(mm)	(in)	
	(in)	(mm)													
UCSB205		25	31.7	92	70	38	25	58	67	12	34.1	14.3	M10	3/8	1.03
UCSB205-13	13/16		31.7	92	70	38	25	58	67	12	34.1	14.3	M10	3/8	1.03
UCSB205-14	7/8		31.7	92	70	38	25	58	67	12	34.1	14.3	M10	3/8	1.03
UCSB205-15	15/16		31.7	92	70	38	25	58	67	12	34.1	14.3	M10	3/8	1.03
UCSB205-16	1		31.7	92	70	38	25	58	67	12	34.1	14.3	M10	3/8	1.03
UCSB206		30	38.1	108	83	44	30	68	78	12	38.1	15.9	M10	3/8	1.63
UCSB206-17	1-1/16		38.1	108	83	44	30	68	78	12	38.1	15.9	M10	3/8	1.63
UCSB206-18	1-1/8		38.1	108	83	44	30	68	78	12	38.1	15.9	M10	3/8	1.63
UCSB206-19	1-3/16		38.1	108	83	44	30	68	78	12	38.1	15.9	M10	3/8	1.63
UCSB206-20	1-1/4		38.1	108	83	44	30	68	78	12	38.1	15.9	M10	3/8	1.63
UCSB207		35	44.4	133	102	48	33	76	95	14	42.9	17.5	M12	7/16	2.52
UCSB207-20	1-1/4		44.4	133	102	48	33	76	95	14	42.9	17.5	M12	7/16	2.52
UCSB207-21	1-5/16		44.4	133	102	48	33	76	95	14	42.9	17.5	M12	7/16	2.52
UCSB207-22	1-3/8		44.4	133	102	48	33	76	95	14	42.9	17.5	M12	7/16	2.52
UCSB207-23	1-7/16		44.4	133	102	48	33	76	95	14	42.9	17.5	M12	7/16	2.52
UCSB208		40	47.6	140	108	54	39	81	100	14	49.2	19	M12	7/16	3.12
UCSB208-24	1-1/2		47.6	140	108	54	39	81	100	14	49.2	19	M12	7/16	3.12
UCSB208-25	1-9/16		47.6	140	108	54	39	81	100	14	49.2	19	M12	7/16	3.12
UCSB209		45	50.8	146	111	54	39	86	105	14	49.2	19	M12	7/16	3.43
UCSB209-26	1-5/8		50.8	146	111	54	39	86	105	14	49.2	19	M12	7/16	3.43
UCSB209-27	1-11/16		50.8	146	111	54	39	86	105	14	49.2	19	M12	7/16	3.43
UCSB209-28	1-3/4		50.8	146	111	54	39	86	105	14	49.2	19	M12	7/16	3.43
UCSB210		50	53.97	152	118	60	41	90	110	14	51.6	19	M12	7/16	3.95
UCSB210-29	1-13/16		53.97	152	118	60	41	90	110	14	51.6	19	M12	7/16	3.95
UCSB210-30	1-7/8		53.97	152	118	60	41	90	110	14	51.6	19	M12	7/16	3.95
UCSB210-31	1-15/16		53.97	152	118	60	41	90	110	14	51.6	19	M12	7/16	3.95
UCSB210-32	2		53.97	152	118	60	41	90	110	14	51.6	19	M12	7/16	3.95
UCSB211		55	58.7	172	137	60	41	98	122	17	55.6	22.2	M16	5/8	4.92
UCSB211-32	2		58.7	172	137	60	41	98	122	17	55.6	22.2	M16	5/8	4.92
UCSB211-33	2-1/16		58.7	172	137	60	41	98	122	17	55.6	22.2	M16	5/8	4.92
UCSB211-34	2-1/8		58.7	172	137	60	41	98	122	17	55.6	22.2	M16	5/8	4.92
UCSB211-35	2-3/16		58.7	172	137	60	41	98	122	17	55.6	22.2	M16	5/8	4.92
UCSB212		60	69.85	197	162	65	48	111	146	17	65.1	25.4	M16	5/8	7.03
UCSB212-36	2-1/4		69.85	197	162	65	48	111	146	17	65.1	25.4	M16	5/8	7.03
UCSB212-37	2-5/16		69.85	197	162	65	48	111	146	17	65.1	25.4	M16	5/8	7.03
UCSB212-38	2-3/8		69.85	197	162	65	48	111	146	17	65.1	25.4	M16	5/8	7.03
UCSB212-39	2-7/16		69.85	197	162	65	48	111	146	17	65.1	25.4	M16	5/8	7.03
UCSB213		65	69.85	197	162	65	48	111	146	17	65.1	25.4	M16	5/8	7.62
UCSB213-40	2-1/2		69.85	197	162	65	48	111	146	17	65.1	25.4	M16	5/8	7.62
UCSB213-41	2-9/16		69.85	197	162	65	48	111	146	17	65.1	25.4	M16	5/8	7.62
UCSB214		70	76.2	206	172	73	60	117	155	17	74.6	30.2	M16	5/8	8.18
UCSB214-42	2-5/8		76.2	206	172	73	60	117	155	17	74.6	30.2	M16	5/8	8.18
UCSB214-43	2-11/16		76.2	206	172	73	60	117	155	17	74.6	30.2	M16	5/8	8.18
UCSB214-44	2-3/4		76.2	206	172	73	60	117	155	17	74.6	30.2	M16	5/8	8.18
UCSB215		75	76.2	206	172	73	55	117	155	17	77.8	33.3	M16	5/8	8.42
UCSB215-45	2-13/16		76.2	206	172	73	55	117	155	17	77.8	33.3	M16	5/8	8.42
UCSB215-46	2-7/8		76.2	206	172	73	55	117	155	17	77.8	33.3	M16	5/8	8.42
UCSB215-47	2-15/16		76.2	206	172	73	55	117	155	17	77.8	33.3	M16	5/8	8.42
UCSB215-48	3		76.2	206	172	73	55	117	155	17	77.8	33.3	M16	5/8	8.42
UCSB216		80	82.55	238	191	86	64	127	168	21	82.6	33.3	M20	3/4	10.55
UCSB216-50	3-1/8		82.55	238	191	86	64	127	168	21	82.6	33.3	M20	3/4	10.55
UCSB217		85	88.9	254	203	89	64	136	181	21	85.7	34.1	M20	3/4	13
UCSB217-52	3-1/4		88.9	254	203	89	64	136	181	21	85.7	34.1	M20	3/4	13
UCSB218		90	98.4	273	222	92	67	152	200	25	96	39.7	M24		16.29
UCSB218-56	3-1/2		98.4	273	222	92	67	152	200	25	96	39.7	M24		16.29
UCSBX20		100	108	298	241	108	70	178	221	26	108	49.2	M24		23.52
UCSB20-63	3-15/16		108	298	241	108	70	178	221	26	108	49.2	M24		23.52
UCSB20-64	4		108	298	241	108	70	178	221	26	108	49.2	M24		23.52

UCFL2 (Normal-Duty)



Unit No.	Dimensions(mm)												Bolt Size	Bearing	Housing	Weight (kg)	
	d	H	J	A2	A1	A	N	L	B	s	z	A3					
UCSFL201	12													M10	UCS201		0.52
UCSFL202	15	97	76.5	15	11	25.5	11.5	55	27.4	11.5	30.9			3/8	UCS202	FL203	0.48
UCSFL203	17														UCS203		0.37
UCFL201	12														UC201		
UCFL201-8	12.7														UC201-8		
UCFL202	15														UC202		
UCFL202-9	14.288														UC202-9		
UCFL202-10	15.875	113	90	15	11	25.5	12	60	31	12.7	33.3			M10	UC202-10	FL204	0.51
UCFL203	17														UC203		
UCFL203-11	17.463														UC203-11		
UCFL204	20												38.2		UC204		
UCFL204-12	19.05												38.2		UC204-12		
UCFL205	25														UC205		
UCFL205-14	22.225	130	99	16	13	27	16	68	34.1	14.3	35.8			M14	UC205-14	FL205	0.6
UCFL205-15	23.813														UC205-15		
UCFL205-16	25.4														UC205-16		
UCFL206	30														UC206		
UCFL206-17	26.988														UC206-17		
UCFL206-18	28.575	148	117	18	13	31	16	80	38.1	15.9	40.2			M14	UC206-18	FL206	0.9
UCFL206-19	30.163														UC206-19		
UCFL206-20	31.75														UC206-20		
UCFL207	35														UC207		
UCFL207-20	31.75														UC207-20		
UCFL207-21	33.338	160	130	19	15	34	16	90	42.9	17.5	44.4			M14	UC207-21	FL207	1.2
UCFL207-22	34.925														UC207-22		
UCFL207-23	36.513														UC207-23		
UCFL208	40														UC208		
UCFL208-24	38.1	175	144	21	15	36	16	100	49.2	19	51.2			M14	UC208-24	FL208	1.5
UCFL208-25	39.688														UC208-25		
UCFL209	45														UC209		
UCFL209-26	41.275	188	148	22	16	38	19	108	49.2	19	52.2			M16	UC209-26	FL209	1.9
UCFL209-27	42.863														UC209-27		
UCFL209-28	44.45														UC209-28		
UCFL210	50														UC210		
UCFL210-30	47.625	197	157	22	16	40	19	115	51.6	19	54.6			M16	UC210-30	FL210	2.2
UCFL210-31	49.213														UC210-31		
UCFL210-32	50.8														UC210-32		
UCFL211	55														UC211		
UCFL211-32	50.8	224	184	25	18	43	19	125	55.6	22.2	58.4			M16	UC211-32	FL211	3
UCFL211-34	53.975														UC211-34		
UCFL211-35	55.563														UC211-35		
UCFL212	60														UC212		
UCFL212-36	57.15	250	202	29	18	48	23	140	65.1	25.4	68.7			M20	UC212-36	FL212	4
UCFL212-38	60.325														UC212-38		
UCFL212-39	61.913														UC212-39		

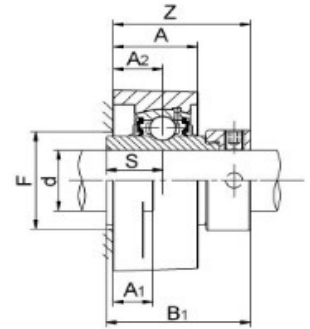
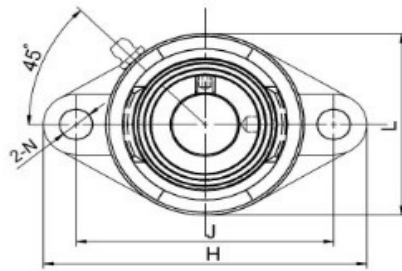
Standard duty,Wider inner ring bearing, Concentric locking,Cast gray iron housing .



Unit No.	Shaft Dia		Dimensions(mm)										Bolt Size (mm)	Weight (kg)
	d (in)	d (mm)	H	J	A2	A1	A	N	L	B1	S	Z		
UEFL204		20	113	90	15	11	25.5	12	60	33	12.7	35.3	M10	0.47
UEFL204-12	3/4		113	90	15	11	25.5	12	60	33	12.7	35.3	M10	0.47
UEFL205		25	130	99	16	13	27	16	68	35.4	14.3	37.1	M14	0.64
UEFL205-14	7/8		130	99	16	13	27	16	68	35.4	14.3	37.1	M14	0.64
UEFL205-15	15/16		130	99	16	13	27	16	68	35.4	14.3	37.1	M14	0.64
UEFL205-16	1		130	99	16	13	27	16	68	35.4	14.3	37.1	M14	0.64
UEFL206		30	148	117	18	13	31	16	80	39.8	15.9	41.9	M14	0.95
UEFL206-17	1-1/16		148	117	18	13	31	16	80	39.8	15.9	41.9	M14	0.95
UEFL206-18	1-1/8		148	117	18	13	31	16	80	39.8	15.9	41.9	M14	0.95
UEFL206-19	1-3/16		148	117	18	13	31	16	80	39.8	15.9	41.9	M14	0.95
UEFL206-20	1-1/4		148	117	18	13	31	16	80	39.8	15.9	41.9	M14	0.95
UEFL207		35	160	130	19	15	34	16	90	43.9	17.5	45.4	M14	1.27
UEFL207-20	1-1/4		160	130	19	15	34	16	90	43.9	17.5	45.4	M14	1.27
UEFL207-21	1-5/16		160	130	19	15	34	16	90	43.9	17.5	45.4	M14	1.27
UEFL207-22	1-3/8		160	130	19	15	34	16	90	43.9	17.5	45.4	M14	1.27
UEFL207-23	1-7/16		160	130	19	15	34	16	90	43.9	17.5	45.4	M14	1.27
UEFL208		40	175	144	21	15	36	16	100	50.2	19	52.2	M14	1.62
UEFL208-24	1-1/2		175	144	21	15	36	16	100	50.2	19	52.2	M14	1.62
UEFL208-25	1-9/16		175	144	21	15	36	16	100	50.2	19	52.2	M14	1.62
UEFL209		45	188	148	22	16	38	19	108	50.2	19	53.2	M16	2.02
UEFL209-26	1-5/8		188	148	22	16	38	19	108	50.2	19	53.2	M16	2.02
UEFL209-27	1-11/16		188	148	22	16	38	19	108	50.2	19	53.2	M16	2.02
UEFL209-28	1-3/4		188	148	22	16	38	19	108	50.2	19	53.2	M16	2.02
UEFL210		50	197	157	22	16	40	19	115	52.6	19	55.6	M16	2.27
UEFL210-30	1-7/8		197	157	22	16	40	19	115	52.6	19	55.6	M16	2.27
UEFL210-31	1-15/16		197	157	22	16	40	19	115	52.6	19	55.6	M16	2.27
UEFL210-32	2		197	157	22	16	40	19	115	52.6	19	55.6	M16	2.27
UEFL211		55	224	184	25	18	43	19	125	56.6	22.2	59.4	M16	3.34
UEFL211-32	2		224	184	25	18	43	19	125	56.6	22.2	59.4	M16	3.34
UEFL211-34	2-1/8		224	184	25	18	43	19	125	56.6	22.2	59.4	M16	3.34
UEFL211-35	2-3/16		224	184	25	18	43	19	125	56.6	22.2	59.4	M16	3.34
UEFL212		60	250	202	29	18	48	23	140	66.6	25.4	70.2	M20	4.3
UEFL212-36	2-1/4		250	202	29	18	48	23	140	66.6	25.4	70.2	M20	4.3
UEFL212-38	2-3/8		250	202	29	18	48	23	140	66.6	25.4	70.2	M20	4.3
UEFL212-39	2-7/16		250	202	29	18	48	23	140	66.6	25.4	70.2	M20	4.3

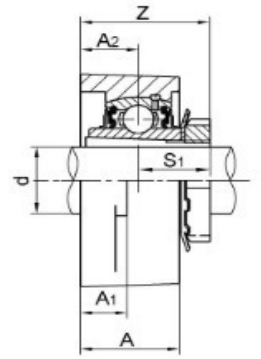
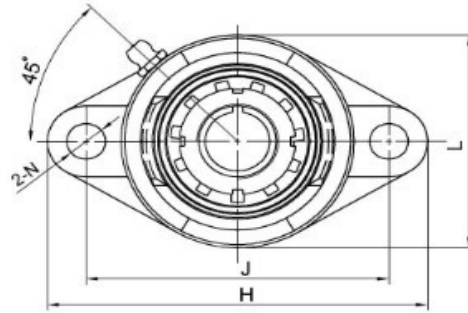
Cast DUCTILE iron housing available upon request

NAFL2 (Normal-Duty)



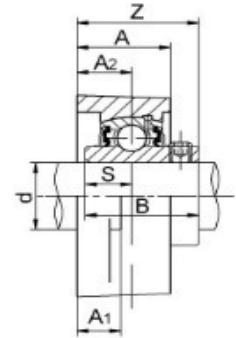
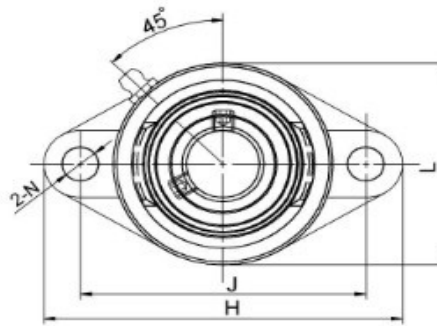
Unit No.	Dimensions(mm)												Bolt Size (mm)	Bearing	Housing	Weight (kg)	
	d	H	J	A2	A1	A	N	L	B1	s	z	F					
NASFL201	12													M10 3/8	NAS201	FL203	0.48
NASFL201-8	12.7												NAS201-8				
NASFL202	15	97	76.5	15	11	25.5	11.5	55	37.3	13.9	38.2		NAS202				
NASFL202-10	15.875												NAS202-10				
NAS203	17												NAS203				
NASFL203	17.463												NAS203-11				
NAFL201	12												M10 3/8	NA201	FL204	0.73	
NAFL201-8	12.7													NA201-8			
NAFL202	15	113	90	15	11	25.5	12	60	43.7	17.1	41.6	32		NA202			
NAFL202-10	15.875													NA202-10			
NAFL203	17													NA203			
NAFL203-11	17.463													NA203-11			
NAFL204	20													NA204			
NAFL204-12	19.05													NA204-12			
NAFL205	25												M14 1/2	NA205	FL205	0.8	
NAFL205-14	22.225	130	99	16	13	27	16	68	44.4	17.5	42.9	36		NA205-14			
NAFL205-15	23.813													NA205-15			
NAFL205-16	25.4													NA205-16			
NAFL206	30												M14 1/2	NA206	FL206	1.2	
NAFL206-18	28.575	148	117	18	13	31	16	80	48.4	18.3	48.1	42		NA206-18			
NAFL206-19	30.163													NA206-19			
NAFL206-20	31.75													NA206-20			
NAFL207	35												M14 1/2	NA207	FL207	1.6	
NAFL207-20	31.75	160	130	19	15	34	16	90	51.1	18.8	51.3	49		NA207-20			
NAFL207-21	33.338													NA207-21			
NAFL207-22	34.925													NA207-22			
NAFL207-23	36.513													NA207-23			
NAFL208	40												M14 1/2	NA208	FL208	1.9	
NAFL208-24	38.1	175	144	21	15	36	16	100	56.3	21.4	55.9	55		NA208-24			
NAFL208-25	39.688													NA208-25			
NAFL209	45												M16 5/8	NA209	FL209	2.3	
NAFL209-26	41.275	188	148	22	16	38	19	108	56.3	21.4	56.9			NA209-26			
NAFL209-27	42.863													NA209-27			
NAFL209-28	44.45													NA209-28			
NAFL210	50												M16 5/8	NA210	FL210	2.6	
NAFL210-30	47.625	197	157	22	16	40	19	115	62.7	24.6	60.1	64		NA210-30			
NAFL210-31	49.213													NA210-31			
NAFL210-32	50.8													NA210-32			
NAFL211	55												M16 5/8	NA211	FL211	3.8	
NAFL211-32	50.8	224	184	25	18	43	19	125	71.4	27.8	68.6	71		NA211-32			
NAFL211-34	53.975													NA211-34			
NAFL211-35	55.563													NA211-35			
NAFL212	60												M20 3/4	NA212	FL212	4.8	
NAFL212-36	57.15	250	202	29	18	48	23	140	77.8	31	75.8	78		NA212-36			
NAFL212-38	60.325													NA212-38			
NAFL212-39	61.913													NA212-39			

UKFL2 + H (Normal-Duty)



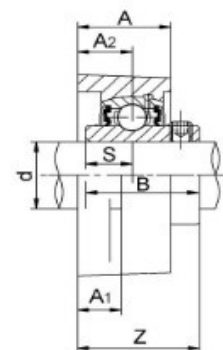
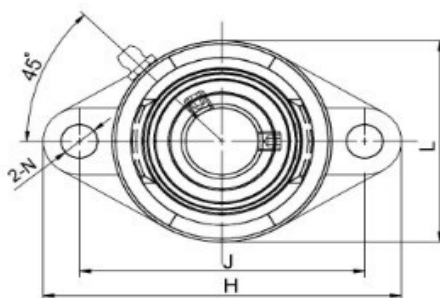
Unit No.	Dimensions(mm)										Bolt Size	Bearing	Housing	Weight (kg)
	d	H	J	A2	A1	A	N	L	S1	Z				
UKFL205+H2305	20	130	99	16	13	27	16	68	18.5	34.5	M14	UK205	FL205	0.6
UKFL205+HE2305	19.05													
UKFL206+H2306	25	148	117	18	13	31	16	80	20.5	38.5	M14	UK206	FL206	0.96
UKFL206+HS2306	22.225													
UKFL206+HA2306	23.813													
UKFL206+HE2306	25.4													
UKFL207+H2307	30	160	130	19	15	34	16	90	22.5	41.5	M14	UK207	FL207	1.3
UKFL207+HS2307	28.575													
UKFL207+HA2307	30.163													
UKFL208+H2308	35	175	144	21	15	36	16	100	24.5	45.5	M14	UK208	FL208	1.6
UKFL208+HE2308	31.75													
UKFL208+HS2308	34.925													
UKFL209+H2309	40	188	148	22	16	38	19	108	26	48	M16	UK209	FL209	2
UKFL209+HA2309	36.513													
UKFL209+HE2309	38.1													
UKFL210+H2310	45	197	157	22	16	40	19	115	27.5	49.5	M16	UK210	FL210	2.3
UKFL210+HS2310	41.275													
UKFL210+HA2310	42.863													
UKFL210+HE2310	44.45													
UKFL211+H2311	50	224	184	25	18	43	19	125	28.5	53.5	M16	UK211	FL211	3.3
UKFL211+HS2311	47.625													
UKFL211+HA2311	49.213													
UKFL211+HE2311	50.8													
UKFL212+H2312	55	250	202	29	18	48	23	140	31	60	M20	UK212	FL212	4
UKFL212+HS2312	53.975													
UKFL213+H2313	60	258	210	30	22	50	23	155	32	62	M20	UK213	FL213	5.1
UKFL213+HA2313	55.563													
UKFL213+HE2313	57.15													
UKFL213+HS2313	60.325													
UKFL215+H2315	65	275	225	34	22	56	23	165	35.5	69.5	M20	UK215	FL215	6.4
UKFL215+HA2315	61.913													
UKFL215+HE2315	63.5													
UKFL216+H2316	70	290	233	34	22	58	25	180	39	73	M22	UK216	FL216	8
UKFL216+HA2316	68.263													
UKFL216+HE2316	69.85													
UKFL217+H2317	75	305	248	36	24	63	25	190		77	M22	UK217	FL217	9.03
UKFL217+HA2317	74.613													
UKFL217+HE2317	76.2													
UKFL218+H2318	80	320	265	40	24	68	25	205		81.5	M22	UK218	FL218	10.89
UKFL218+HA2318	80.963													

UCFLX (Medium-Duty)



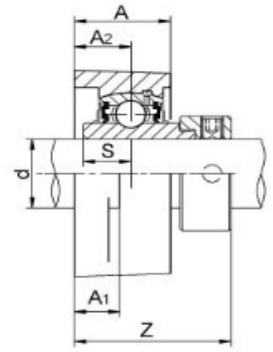
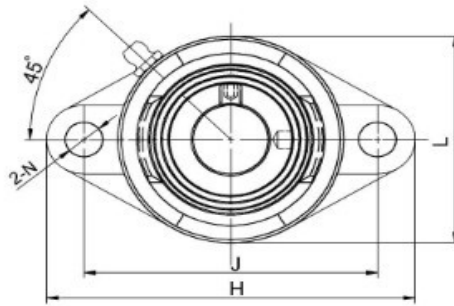
Unit No.	Dimensions(mm)											Bolt Size	Bearing	Housing	Weight (kg)	
	d	H	J	A2	A1	A	N	L	B	s	z					
UCFLX05	25												M10 3/8	UCX05	FLX05	1
UCFLX05-13	20.638											UCX05-13				
UCFLX05-14	22.225	141	117	18	13	30	12	83	38.1	15.9	40.2	UCX05-14				
UCFLX05-15	23.813											UCX05-15				
UCFLX05-16	25.4											UCX05-16				
UCFLX06	30											M14 1/2	UCX06	FLX06	1.5	
UCFLX06-17	26.988												UCX06-17			
UCFLX06-18	28.575	156	130	19	15	34	16	95	42.9	17.5	44.4		UCX06-18			
UCFLX06-19	30.163												UCX06-19			
UCFLX06-20	31.75												UCX06-20			
UCFLX07	35											M14 1/2	UCX07	FLX07	2	
UCFLX07-21	33.338	171	144	21	16	38	16	105	49.2	19	51.2		UCX07-21			
UCFLX07-22	34.925												UCX07-22			
UCFLX07-23	36.513												UCX07-23			
UCFLX08	40											M14 1/2	UCX08	FLX08	2.2	
UCFLX08-24	38.1	179	148	22	16	40	16	111	49.2	19	52.2		UCX08-24			
UCFLX08-25	39.688												UCX08-25			
UCFLX09	45											M14 1/2	UCX09	FLX09	2.4	
UCFLX09-26	41.275												UCX09-26			
UCFLX09-27	42.863	189	157	23	16	40	16	116	51.6	19	55.6		UCX09-27			
UCFLX09-28	44.45												UCX09-28			
UCFLX09-29	46.038												UCX09-29			
UCFLX10	50											M16 5/8	UCX10	FLX10	3.4	
UCFLX10-30	47.625	216	184	26	18	44	19	133	55.6	22.2	59.4		UCX10-30			
UCFLX10-31	49.213												UCX10-31			
UCFLX10-32	50.8												UCX10-32			

UCFL300 (Heavy-Duty)



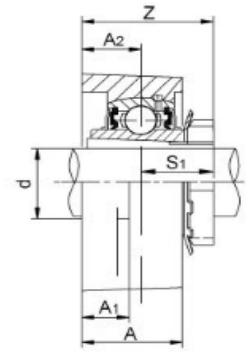
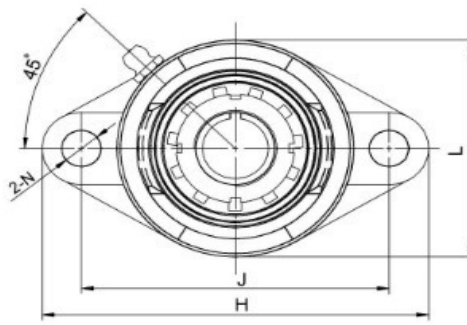
Unit No.	Dimensions(mm)												Bolt Size	Bearing	Housing	Weight (kg)
	d	H	J	A2	A1	A	N	L	B	s	z	A3				
UCFL305	25	150	113	16	13	29	19	80	38	15	39		M16	UC305	FL305	1.1
UCFL306	30	180	134	18	15	32	23	90	43	17	44		M20	UC306	FL306	1.6
UCFL307	35	185	141	20	16	36	23	100	48	19	49		M20	UC307	FL307	2
UCFL308	40	200	158	23	17	40	23	112	52	19	56		M20	UC308	FL308	2.6
UCFL309	45	230	177	25	18	44	25	125	57	22	60		M22	UC309	FL309	3.63
UCFL310	50	240	187	28	19	48	25	140	61	22	67		M22	UC310	FL310	4.6
UCFL311	55	250	198	30	20	52	25	150	66	25	71		M22	UC311	FL311	5.3
UCFL312	60	270	212	33	22	56	31	160	71	26	78		M27	UC312	FL312	6.4
UCFL313	65	295	240	33	25	58	31	175	75	30	78		M27	UC313	FL313	8.2
UCFL314	70	315	250	36	28	61	35	185	78	33	81		M30	UC314	FL314	10
UCFL315	75	320	260	39	30	66	35	195	82	32	89		M30	UC315	FL315	11
UCFL316	80	355	285	38	32	68	38	210	86	34	90		M33	UC316	FL316	14.3
UCFL317	85	370	300	44	32	74	38	220	96	40	100		M33	UC317	FL317	16.2
UCFL318	90	385	315	44	36	76	38	235	96	40	100		M33	UC318	FL318	19.2
UCFL319	95	405	330	59	40	94	41	250	103	41	121		M36	UC319	FL319	21.8
UCFL320	100	440	360	59	40	94	44	270	108	42	125		M39	UC320	FL320	26.5
UCFL321	105	440	360	59	40	94	44	270	112	44	127		M39	UC321	FL321	28.2
UCFL322	110	470	390	60	42	96	44	300	117	46	131		M39	UC322	FL322	33.1
UCFL324	120	520	430	65	48	110	47	330	126	51	140		M42	UC324	FL324	45.7
UCFL326	130	550	460	65	50	115	47	360	135	54	146		M42	UC326	FL326	57.5
UCFL328	140	600	500	75	60	125	51	400	145	59	161		M45	UC328	FL328	79.7

NAFL300 (Heavy-Duty)



Unit No.	Dimensions(mm)										Bolt Size	Bearing	Housing	Weight (kg)	
	d	H	J	A2	A1	A	N	L	s	z					
NAFL305	25											M16	NA305	FL305	1.1
NAFL305-14	22.225	150	113	16	13	29	19	80	16.7	46.1	NA305-14				
NAFL305-15	23.813										NA305-15				
NAFL305-16	25.4										NA305-16				
NAFL306	30														
NAFL306-18	28.575	180	134	18	15	32	23	90	17.5	50.5	NA306-18				
NAFL306-19	30.163										NA306-19				
NAFL307	35														
NAFL307-20	31.75	185	141	20	16	36	23	100	18.3	53.3	NA307-20				
NAFL307-21	33.338										NA307-21				
NAFL307-22	34.925										NA307-22				
NAFL307-23	36.513										NA307-23				
NAFL308	40														
NAFL308-24	38.1	200	158	23	17	40	23	112	19.8	60.3	NA308-24				
NAFL308-25	39.688										NA308-25				
NAFL309	45														
NAFL309-26	41.275	230	177	25	18	44	25	125	19.8	60.3	NA309-26				
NAFL309-27	42.863										NA309-27				
NAFL309-28	44.45										NA309-28				
NAFL310	50														
NAFL310-30	47.625	240	187	28	19	48	25	140	24.6	70	NA310-30				
NAFL310-31	49.213										NA310-31				
NAFL311	55														
NAFL311-32	50.8	250	198	30	20	52	25	150	27.8	75.2	NA311-32				
NAFL311-34	53.975										NA311-34				
NAFL311-35	55.563										NA311-35				
NAFL312	60														
NAFL312-36	57.15	270	212	33	22	56	31	160	29.5	80	NA312-36				
NAFL312-38	60.325										NA312-38				
NAFL312-39	61.913										NA312-39				
NAFL313	65														
NAFL313-40	63.5	295	240	33	25	58	31	175	32.55	86.2	NA313-40				
NAFL314	70														
NAFL314-44	69.85	315	250	36	28	61	35	185	34.15	93.95	NA314-44				
NAFL315	75														
NAFL315-48	76.2	320	260	39	30	66	35	195	37.3	101.7	NA315-48				
NAFL316	80														

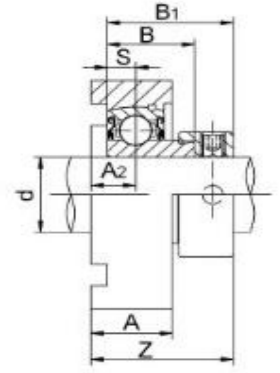
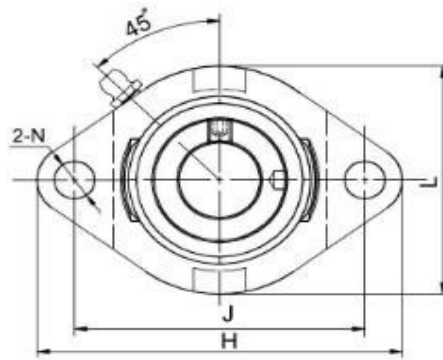
UKFL300+H (Heavy-Duty)



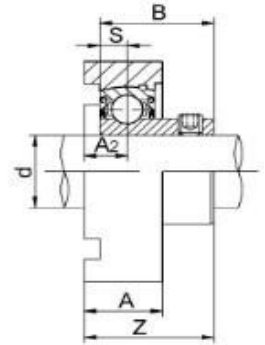
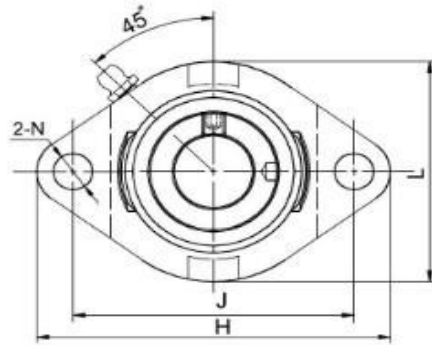
Unit No.	Dimensions(mm)										Bolt Size	Bearing	Housing	Weight (kg)
	d	H	J	A2	A1	A	N	L	S1	Z				
UKFL305+H2305	20	150	113	16	13	29	19	80	21.5	37.5	M16	UK305	FL305	1.1
UKFL305+HE2305	19.05													
UKFL306+H2306	25	180	134	18	15	32	23	90	23	41	M20	UK306	FL306	1.5
UKFL306+HS2306	22.225													
UKFL306+HA2306	23.813													
UKFL306+HE2306	25.4													
UKFL307+H2307	30	185	141	20	16	36	23	100	25.5	45.5	M20	UK307	FL307	1.8
UKFL307+HS2307	28.575													
UKFL307+HA2307	30.163													
UKFL308+H2308	35	200	158	23	17	40	23	112	27.5	50.5	M20	UK308	FL308	2.5
UKFL308+HE2308	31.75													
UKFL308+HS2308	34.925													
UKFL309+H2309	40	230	177	25	18	44	25	125	30	55	M22	UK309	FL309	3.5
UKFL309+HA2309	36.513													
UKFL309+HE2309	38.1													
UKFL310+H2310	45	240	187	28	19	48	25	140	32	60	M22	UK310	FL310	4.4
UKFL310+HS2310	41.275													
UKFL310+HA2310	42.863													
UKFL310+HE2310	44.45													
UKFL311+H2311	50	250	198	30	20	52	25	150	33.5	63.5	M22	UK311	FL311	5.1
UKFL311+HS2311	47.625													
UKFL311+HA2311	49.213													
UKFL311+HE2311	50.8													
UKFL312+H2312	55	270	212	33	22	56	31	160	36.5	69.5	M27	UK312	FL312	6
UKFL312+HS2312	53.975													
UKFL313+H2313	60	295	240	33	25	58	31	175	38.5	71.5	M27	UK313	FL313	7.6
UKFL313+HA2313	55.563													
UKFL313+HE2313	57.15													
UKFL313+HS2313	60.325													
UKFL315+H2315	65	320	260	39	30	66	35	195	42.5	81.5	M30	UK315	FL315	10
UKFL315+HA2315	61.913													
UKFL315+HE2315	63.5													
UKFL316+H2316	70	355	285	38	32	68	38	210	44.5	82.5	M33	UK316	FL316	13
UKFL316+HA2316	68.263													
UKFL316+HE2316	69.85													

2-Bolt Oval Flange Units

SAFW200 (Light-Duty)

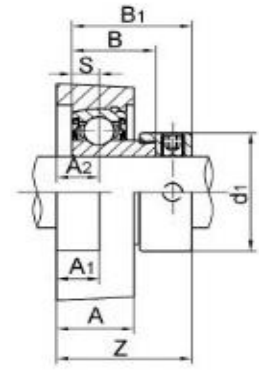
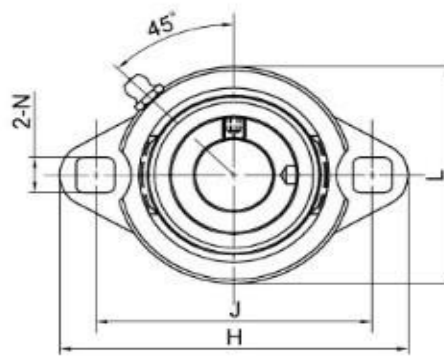


Unit No.	Dimensions (mm)											Boit Size	Bearing	Housing	Weight (kg)		
	d	H	J	A2	A	N	L	B1	B	S	Z						
SAFW201	12																0.28
SAFW201-8	12.7																0.28
SAFW202	15																0.27
SAFW202-9	14.288	81	63.5	8.5	15	7	59	28.6	19.1	6	31.1	M6	1/4	SA202-9	FW203	0.27	
SAFW202-10	15.875													SA202-10		0.27	
SAFW203	17													SA203		0.26	
SAFW203-11	17.463													SA203-11		0.26	
SAFW204	20	90	71	9.5	17	9	67	31	21.5	7	33.5	M8		SA204	FW204	0.37	
SAFW204-12	19.05											5/16		SA204-12			
SAFW205	25													SA205			
SAFW205-14	22.225	95	76	9.5	17.5	9	71	31.5	22	7.5	33.5	M8		SA205-14	FW205	0.44	
SAFW205-15	23.813											5/16		SA205-15			
SAFW205-16	25.4													SA205-16			
SAFW206	30													SA206			
SAFW206-17	26.988													SA206-17			
SAFW206-18	28.575	113	90	12	20.5	12	84	35.7	23.8	8	39.7	M10		SA206-18	FW206	0.7	
SAFW206-19	30.163											3/8		SA206-19			
SAFW206-20	31.75													SA206-20			
SAFW207	35													SA207			
SAFW207-20	31.75													SA207-20			
SAFW207-21	33.338	125	100	12.5	22	12.5	93	38.9	25.4	8.5	42.9	M10		SA207-21	FW207	0.91	
SAFW207-22	34.925											3/8		SA207-22			
SAFW207-23	36.513													SA207-23			
SAFW208	40													SA208			
SAFW208-24	38.1	148	119	14.5	25	13.5	103	43.7	30.2	9	49.2	M12		SA208-24	FW208	1.2	
SAFW208-25	39.688											1/2		SA208-25			

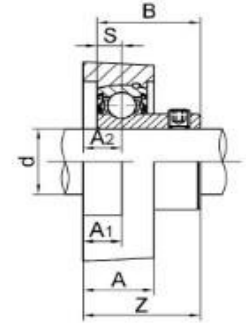
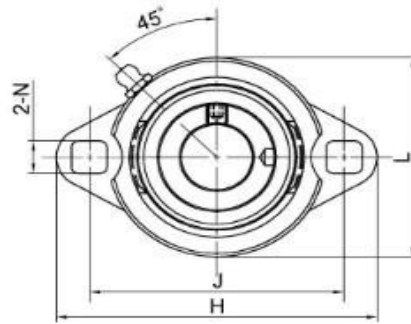


Unit No.	Dimensions (mm)										Bolt Size	Bearing	Housing	Weight (kg)
	d	H	J	A2	A	N	L	B	S	Z				
SBFW201	12										M6 1/4	SB201	FW203	0.28
SBFW201-8	12.7											SB201-8		0.28
SBFW202	15											SB202		0.27
SBFW202-9	14.288	81	63.5	8.5	15	7	59	22	6	24.5		SB202-9		0.27
SBFW202-10	15.875											SB202-10		0.27
SBFW203	17											SB203		0.26
SBFW203-11	17.463											SB203-11		0.26
SBFW204	20	90	71	9.5	17	9	67	25	7	27.5	M8 5/16	SB204	FW204	0.37
SBFW204-12	19.05										SB204-12			
SBFW205	25										M8 5/16	SB205	FW205	0.44
SBFW205-14	22.225	95	76	9.5	17.5	9	71	27	7.5	29		SB205-14		
SBFW205-15	23.813											SB205-15		
SBFW205-16	25.4											SB205-16		
SBFW206	30										M10 3/8	SB206	FW206	0.7
SBFW206-17	26.988											SB206-17		
SBFW206-18	28.575	113	90	12	20.5	12	84	30	8	34		SB206-18		
SBFW206-19	30.163											SB206-19		
SBFW206-20	31.75											SB206-20		
SBFW207	35										M10 3/8	SB207	FW207	0.91
SBFW207-20	31.75											SB207-20		
SBFW207-21	33.338	125	100	12.5	22	12.5	93	32	8.5	36		SB207-21		
SBFW207-22	34.925											SB207-22		
SBFW207-23	36.513											SB207-23		
SBFW208	40										M12 1/2	SB208	FW208	1.2
SBFW208-24	38.1	148	119	14.5	25	13.5	103	34	9	39.9		SB208-24		
SBFW208-25	39.688											SB208-25		

SAPFTD200 (Light-Duty)

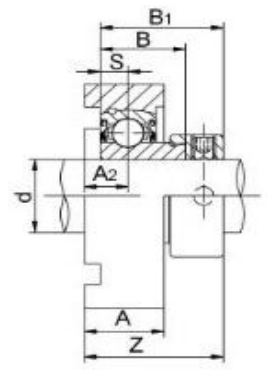
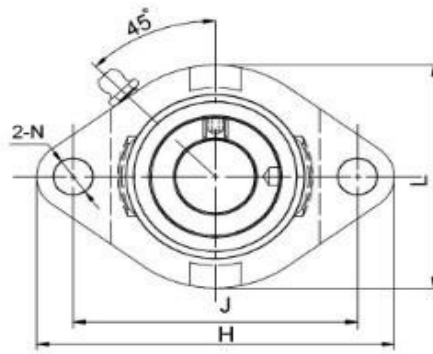


Unit No.	Dimensions (mm)												Bolt Size	Bearing	Housing	Weight (kg)	
	d	H	J	L	A2	A	A1	N	S	B	B1	Z					
SAPFTD201	12													M8 5/16	SA201	PFTD203	0.26
SAPFTD201-8	12.7												SA201-8				
SAPFTD202	15												SA202				
SAPFTD202-9	14.288	81	63.5	56	9	18	9	8.7	6.5	19.1	28.6	31.1	SA202-9				
SAPFTD202-10	15.875												SA202-10				
SAPFTD203	17												SA203				
SAPFTD203-11	17.463												SA203-11				
SAPFTD204	20	91	71.5	63	10.2	20	10.2	8.7	7.5	21.5	31	33.6	M8 5/16	SA204	PFTD204	0.29	
SAPFTD204-12	19.05												SA204-12				
SAPFTD205	25												M8 5/16	SA205	PFTD205	0.4	
SAPFTD205-14	22.225	96	76.2	69	10.5	19	8.7	8.7	7.5	22	31.5	32.1		SA205-14			
SAPFTD205-15	23.813													SA205-15			
SAPFTD205-16	25.4													SA205-16			
SAPFTD206	30												M10 3/8	SA206	PFTD206	0.6	
SAPFTD206-17	26.988	113	90.5	79	11.5	22	11.5	10.3	9	23.8	35.7	38.2		SA206-17			
SAPFTD206-18	28.575													SA206-18			
SAPFTD206-19	30.163													SA206-19			
SAPFTD206-20	31.75													SA206-20			
SAPFTD207	35												M10 3/8	SA207	PFTD207	0.84	
SAPFTD207-20	31.75	122.5	100	89	12.7	23.8	11.8	10.3	9.5	25.4	38.9	41.2		SA207-20			
SAPFTD207-21	33.338													SA207-21			
SAPFTD207-22	34.925													SA207-22			
SAPFTD207-23	36.513													SA207-23			

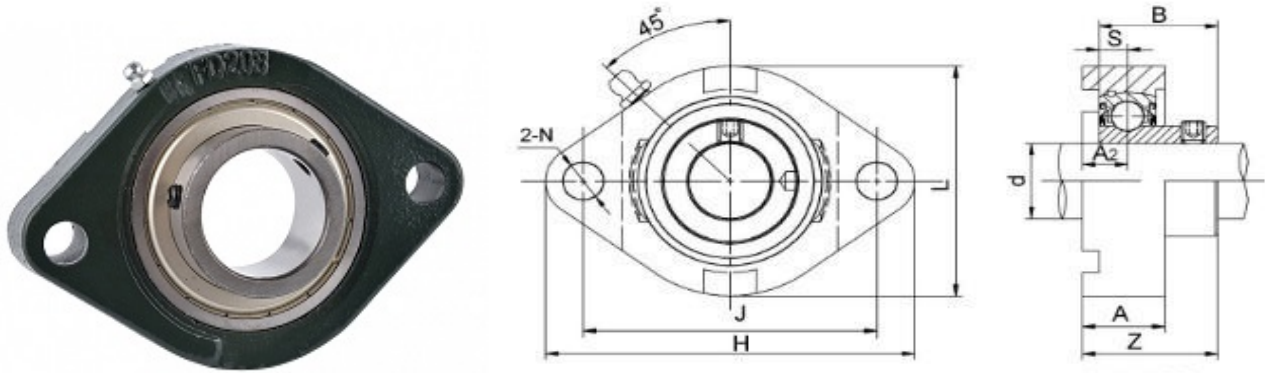


Unit No.	Dimensions (mm)											Boit Size	Bearing	Housing	Weight (kg)	
	d	H	J	L	A2	A	A1	N	S	B	Z					
SBPFTD201	12												M8 5/16	SB201	PFTD203	0.23
SBPFTD201-8	12.7											SB201-8				
SBPFTD202	15											SB202				
SBPFTD202-9	14.288	81	63.5	56	9	18	9	8.7	6	22	25	SB202-9				
SBPFTD202-10	15.875											SB202-10				
SBPFTD203	17											SB203				
SBPFTD203-11	17.463											SB203-11				
SBPFTD204	20	91	71.5	63	10.2	20	10.2	8.7	7	25	28.2	M8 5/16	SB204	PFTD204	0.27	
SBPFTD204-12	19.05											SB204-12				
SBPFTD205	25											M8 5/16	SB205	PFTD205	0.38	
SBPFTD205-14	22.225	96	76.2	69	10.5			8.7	7.5	27	28.2		SB205-14			
SBPFTD205-15	23.813												SB205-15			
SBPFTD205-16	25.4												SB205-16			
SBPFTD206	30											M10 3/8	SB206	PFTD206	0.54	
SBPFTD206-17	26.988	113	90.5	79	11.5	22	11.5	10.3	8	30	33.5		SB206-17			
SBPFTD206-18	28.575												SB206-18			
SBPFTD206-19	30.163												SB206-19			
SBPFTD206-20	31.75												SB206-20			
SBPFTD207	35											M10 3/8	SB207	PFTD207	0.71	
SBPFTD207-20	31.75	122.5	100	89	12.7	23.8	11.8	10.3	8.5	32	35.3		SB207-20			
SBPFTD207-21	33.338												SB207-21			
SBPFTD207-22	34.925												SB207-22			
SBPFTD207-23	36.513												SB207-23			

SAFD200 (Light-Duty)

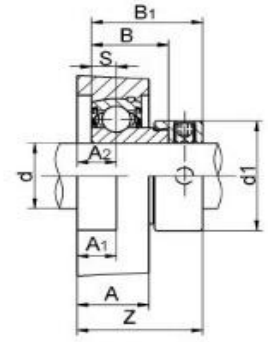
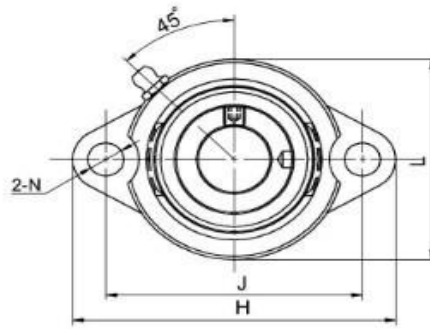


Unit No.	Dimensions (mm)											Boit Size	Bearing	Housing	Weight (kg)		
	d	H	J	A2	A	N	L	B1	B	S	Z						
SAFD201	12																0.28
SAFD201-8	12.7																0.28
SAFD202	15																0.27
SAFD202-9	14.288	81	63.5	8.5	15	7	59	28.6	19.1	6	31.1	M6	1/4	SA202-9	FD203		0.27
SAFD202-10	15.875													SA202-10			0.27
SAFD203	17													SA203			0.26
SAFD203-11	17.463													SA203-11			0.26
SAFD204	20	90	71	9.5	17	9	67	31	21.5	7	33.5	M8		SA204	FD204		0.37
SAFD204-12	19.05											5/16		SA204-12			
SAFD205	25													SA205			
SAFD205-14	22.225	95	76	9.5	17.5	9	71	31.5	22	7.5	33.5	M8		SA205-14	FD205		0.44
SAFD205-15	23.813											5/16		SA205-15			
SAFD205-16	25.4													SA205-16			
SAFD206	30													SA206			
SAFD206-17	26.988	113	90	12	20.5	12	84	35.7	23.8	8	39.7	M10		SA206-17	FD206		0.7
SAFD206-18	28.575											3/8		SA206-18			
SAFD206-19	30.163													SA206-19			
SAFD206-20	31.75													SA206-20			
SAFD207	35													SA207			
SAFD207-20	31.75													SA207-20			
SAFD207-21	33.338	125	100	12.5	22	12.5	93	38.9	25.4	8.5	42.9	M10		SA207-21	FD207		0.91
SAFD207-22	34.925											3/8		SA207-22			
SAFD207-23	36.513													SA207-23			
SAFD208	40													SA208			
SAFD208-24	38.1	148	119	14.5	25	13.5	103	43.7	30.2	9	49.2	M12		SA208-24	FD208		1.2
SAFD208-25	39.688											1/2		SA208-25			



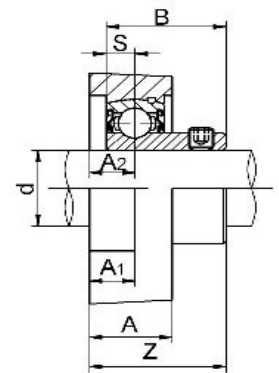
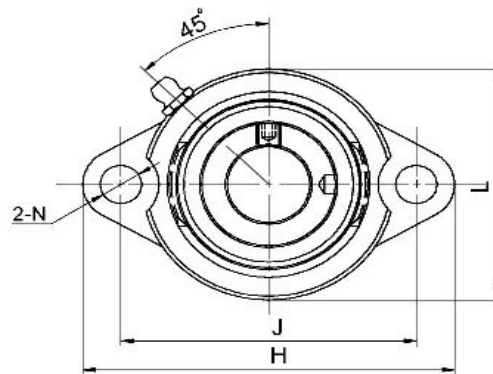
Unit No.	Dimensions (mm)										Boit Size	Bearing	Housing	Weight (kg)
	d	H	J	A2	A	N	L	B	S	Z				
SBFD201	12										M6 1/4	SB201	FD203	0.28
SBFD201-8	12.7											SB201-8		0.28
SBFD202	15											SB202		0.27
SBFD202-9	14.288	81	63.5	8.5	15	7	59	22	6	24.5		SB202-9		0.27
SBFD202-10	15.875											SB202-10		0.27
SBFD203	17											SB203		0.26
SBFD203-11	17.463											SB203-11		0.26
SBFD204	20	90	71	9.5	17	9	67	25	7	27.5	M8 5/16	SB204	FD204	0.37
SBFD204-12	19.05										SB204-12			
SBFD205	25										M8 5/16	SB205	FD205	0.44
SBFD205-14	22.225	95	76	9.5	17.5	9	71	27	7.5	29		SB205-14		
SBFD205-15	23.813											SB205-15		
SBFD205-16	25.4											SB205-16		
SBFD206	30										M10 3/8	SB206	FD206	0.7
SBFD206-17	26.988											SB206-17		
SBFD206-18	28.575	113	90	12	20.5	12	84	30	8	34		SB206-18		
SBFD206-19	30.163											SB206-19		
SBFD206-20	31.75											SB206-20		
SBFD207	35										M10 3/8	SB207	FD207	0.91
SBFD207-20	31.75											SB207-20		
SBFD207-21	33.338	125	100	12.5	22	12.5	93	32	8.5	36		SB207-21		
SBFD207-22	34.925											SB207-22		
SBFD207-23	36.513											SB207-23		
SBFD208	40										M12 1/2	SB208	FD208	1.2
SBFD208-24	38.1	148	119	14.5	25	13.5	103	34	9	39.9		SB208-24		
SBFD208-25	39.688											SB208-25		

SALF200 (Light-Duty)



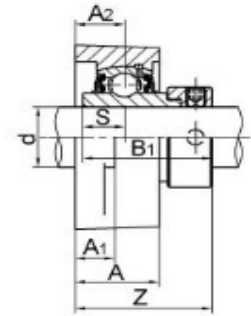
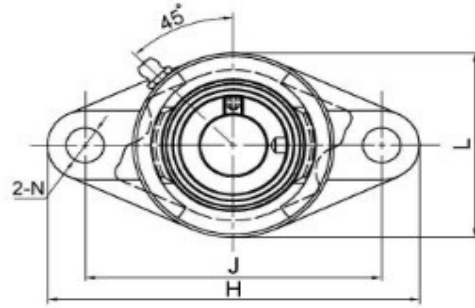
Unit No.	Dimensions (mm)													Boit Size	Bearing	Housing	Weight (kg)	
	d	H	J	A2	A1	A	N	L	B1	B	S	Z	d1					
SALF201	12														M6 1/4	SA201	LF203	0.28
SALF201-8	12.7													SA201-8				
SALF202	15													SA202				
SALF202-9	14.288	81	63.5	9.5	9.5	18	8	56	28.6	19.1	6	32.1	28.6	SA202-9				
SALF202-10	15.875													SA202-10				
SALF203	17													SA203				
SALF203-11	17.463													SA203-11				
SALF204	20	90	71.5	11	11	20	10	61	31	21.5	7	35	33.3	M8 5/16	SA204	LF204	0.33	
SALF204-12	19.05													SA204-12				
SALF205	25													M8 5/16	SA205	LF205	0.42	
SALF205-14	22.225	95	76	11	11	20	10	64	31.5	22	7.5	35	38.1		SA205-14			
SALF205-15	23.813														SA205-15			
SALF205-16	25.4														SA205-16			
SALF206	30													M10 3/8	SA206	LF206	0.6	
SALF206-17	26.988	113	90.5	12	12	22.5	12	76	35.7	23.8	8	39.7	44.5		SA206-17			
SALF206-18	28.575														SA206-18			
SALF206-19	30.163														SA206-19			
SALF206-20	31.75														SA206-20			
SALF207	35													M10 3/8	SA207	LF207	0.85	
SALF207-20	31.75	122	100	13	13	24	12	89	38.9	25.4	8.5	43.4	55.5		SA207-20			
SALF207-21	33.338														SA207-21			
SALF207-22	34.925														SA207-22			
SALF207-23	36.513														SA207-23			
SALF208	40	150	119	13.5	13	25	14	106	43.7	30.2	9	48.2	60.3	M12 1/2	SA208	LF208	1.2	
SALF208-24	38.1													SA208-24				
SALF208-25	39.688													SA208-25				

SBLF200 (Light-Duty)



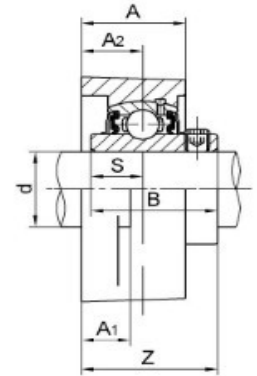
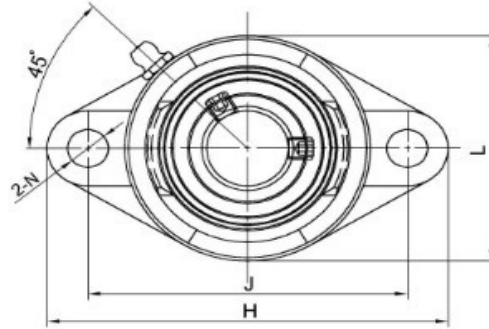
Unit No.	Dimensions (mm)											Boit Size	Bearing	Housing	Weight (kg)	
	d	H	J	A2	A1	A	N	L	B	S	Z					
SBLF201	12												M6 1/4	SB201	LF203	0.27
SBLF201-8	12.7											SB201-8		0.27		
SBLF202	15											SB202		0.25		
SBLF202-9	14.288	81	63.5	9.5	9.5	18	8	56	22	6	25.5	SB202-9		0.25		
SBLF202-10	15.875											SB202-10		0.25		
SBLF203	17											SB203		0.25		
SBLF203-11	17.463											SB203-11		0.25		
SBLF204	20	90	71.5	11	11	20	10	61	25	7	29	M8 5/16	SB204	LF204	0.33	
SBLF204-12	19.05												SB204-12			
SBLF205	25											M8 5/16	SB205	LF205	0.38	
SBLF205-14	22.225	95	76	11	11	20	10	64	27	7.5	30.5		SB205-14			
SBLF205-15	23.813												SB205-15			
SBLF205-16	25.4												SB205-16			
SBLF206	30											M10 3/8	SB206	LF206	0.56	
SBLF206-17	26.988												SB206-17			
SBLF206-18	28.575	113	90.5	12	12	22.5	12	76	30	8	34		SB206-18			
SBLF206-19	30.163												SB206-19			
SBLF206-20	31.75												SB206-20			
SBLF207	35											M10 3/8	SB207	LF207	0.8	
SBLF207-20	31.75												SB207-20			
SBLF207-21	33.338	122	100	13	13	24	12	89	32	8.5	36.5		SB207-21			
SBLF207-22	34.925												SB207-22			
SBLF207-23	36.513												SB207-23			
SBLF208	40											M12 1/2	SB208	LF208	1.2	
SBLF208-24	38.1	150	119	13.5	13	25	14	106	34	9	38.5		SB208-24			
SBLF208-25	39.688												SB208-25			

NAFLU2 (Normal-Duty)



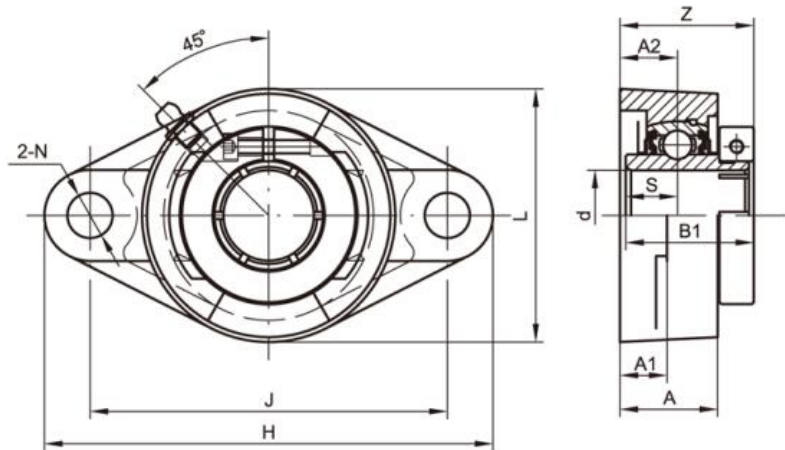
Unit No.	Dimensions(mm)											Bolt Size (mm)	Bearing	Housing	Weight (kg)	
	d	H	L	J	A2	A1	A	N	B1	S	Z					
NAFLU201	12															
NAFLU201-8	12.7															
NAFLU202	15															
NAFLU202-9	14.288															
NAFLU202-10	15.875	112.5	90	61	19	15	29.5	11.5	43.7	17	45.5	M10	NA202-10	FLU204	0.73	
NAFLU203	17															
NAFLU203-11	17.463															
NAFLU204	20															
NAFLU204-12	19.05											M10	NA204-12			
NAFLU205	25															
NAFLU205-14	22.225	123	99	70	19	15	30	11.5	44.4	17.4	45.9	M14	NA205-14	FLU205	0.8	
NAFLU205-15	23.813											1/2	NA205-15			
NAFLU205-16	25.4												NA205-16			
NAFLU206	30															
NAFLU206-17	26.988															
NAFLU206-18	28.575	142	116.5	80	20	16	32.5	11.5	48.4	18.2	50.1	M14	NA206-18	FLU206	1.2	
NAFLU206-19	30.163											1/2	NA206-19			
NAFLU206-20	31.75												NA206-20			
NAFLU207	35															
NAFLU207-20	31.75															
NAFLU207-21	33.338	158	130	94	21	17	36	14	51.1	18.8	53.3	M14	NA207-21	FLU207	1.6	
NAFLU207-22	34.925											1/2	NA207-22			
NAFLU207-23	36.513												NA207-23			
NAFLU208	40															
NAFLU208-24	38.1	172	143.5	103	24	17	39	14	56.3	21.4	58.9	M14	NA208-24	FLU208	1.9	
NAFLU208-25	39.688											1/2	NA208-25			
NAFLU209	45															
NAFLU209-26	41.275	180	148.5	108	24	18	40	16	56.3	21.4	58.9	M16	NA209-26	FLU209	2.3	
NAFLU209-27	42.863											5/8	NA209-27			
NAFLU209-28	44.45												NA209-28			
NAFLU210	50															
NAFLU210-30	47.625	190	157	114	28	20	45	18	62.7	24.6	66.1	M16	NA210-30	FLU210	2.6	
NAFLU210-31	49.213											5/8	NA210-31			
NAFLU210-32	50.8												NA210-32			
NAFLU211	55															
NAFLU211-32	50.8	217	184	128	31	21	48	18	71.4	27.7	74.6	M16	NA211-32	FLU211	3.8	
NAFLU211-34	53.975											5/8	NA211-34			
NAFLU211-35	55.563												NA211-35			
NAFLU212	60															
NAFLU212-36	57.15	237	202	138	34	21	53	18	77.8	30.9	80.8	M20	NA212-36	FLU212	4.8	
NAFLU212-38	60.325											3/4	NA212-38			
NAFLU212-39	61.913												NA212-39			

UCFT2 (Normal-Duty)



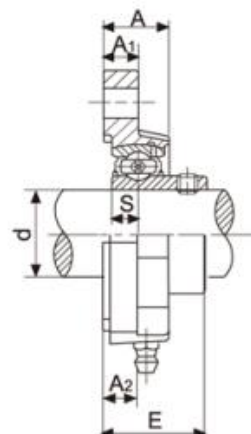
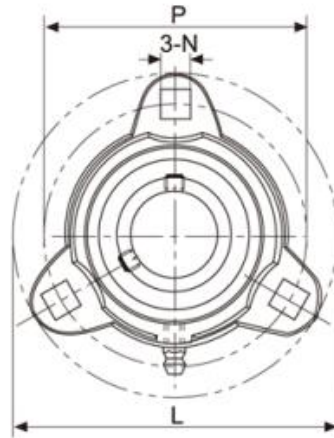
Unit No.												Boit Size	Bearing	Housing	Weight (kg)		
	d	H	J	A2	A1	A	N	L	B	s	z						
UCFT201	12																
UCFT201-8	12.7																
UCFT202	15																
UCFT202-9	14.288	112	76.2		11	25	10.5	60	26	10	33.1	M8	UC202-9	FT203	0.4		
UCFT202-10	15.875												UC202-10				
UCFT203	17												UC203				
UCFT203-11	17.463												UC203-11				
UCFT204	20																
UCFT204-12	19.05	112	89.7	14.3	11	25	10.5	60	31	12.7	32.6	M8	UC204	FT204	0.45		
UCFT204-12	19.05												UC204-12				
UCFT205	25																
UCFT205-13	20.638												UC205-13				
UCFT205-14	22.225	124	98.8	15.9	13	27	12.5	70	34.1	14.3	35.6	M10	UC205-14	FT205	0.66		
UCFT205-15	23.813												UC205-15				
UCFT205-16	25.4												UC205-16				
UCFT206	30																
UCFT206-17	26.988												UC206-17				
UCFT206-18	28.575	141	116.7	17.9	13	30	12.5	83	38.1	15.9	40.1	M10	UC206-18	FT206	0.86		
UCFT206-19	30.163												UC206-19				
UCFT206-20	31.75												UC206-20				
UCFT207	35																
UCFT207-20	31.75												UC207-20				
UCFT207-21	33.338	156	130.2	19.1	14	34	14	95	42.9	17.5	44.5	M12	UC207-21	FT207	1.31		
UCFT207-22	34.925												UC207-22				
UCFT207-23	36.513												UC207-23				
UCFT208	40																
UCFT208-24	38.1	171	143.7	21	14	38	14	105	49.2	19	51.2	M12	UC208-24	FT208	1.53		
UCFT208-25	39.688												UC208-25				
UCFT209	45																
UCFT209-26	41.275												UC209-26				
UCFT209-27	42.863	179	148.4	21.8	14	40	16	111	49.2	19	52	M14	UC209-27	FT209	1.73		
UCFT209-28	44.45												UC209-28				
UCFT210	50																
UCFT210-29	46.038												UC210-29				
UCFT210-30	47.625	189	157.2	22.2	14	40	16	116	51.6	19	54.8	M14	UC210-30	FT210	2.28		
UCFT210-31	49.213												UC210-31				
UCFT210-32	50.8												UC210-32				
UCFT211	55																
UCFT211-32	50.8												UC211-32				
UCFT211-33	52.388	216	184.2	25.4	21	44	18	133	55.6	22.2	58.8	M16	UC211-33	FT211	2.72		
UCFT211-34	53.975												UC211-34				
UCFT211-35	55.563												UC211-35				

Standard duty,Wider inner ring bearing, Concentric locking,Cast gray iron housing .

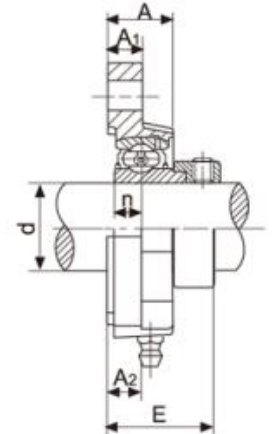


Unit No.	Shaft Dia		Dimensions(mm)										Bolt Size (mm)	Weight (kg)
	d (in)	d (mm)	H	J	A2	A1	A	N	L	B1	S	Z		
UEFT204		20	112	89.7	14.3	11	25	10.5	60	33	12.7	34.6	M8	0.51
UEFT204-12	3/4		112	89.7	14.3	11	25	10.5	60	33	12.7	34.6	M8	0.51
UEFT205		25	124	98.8	15.9	13	27	12.5	70	35.4	14.3	36.9	M10	0.72
UEFT205-13	13/16		124	98.8	15.9	13	27	12.5	70	35.4	14.3	36.9	M10	0.72
UEFT205-14	7/8		124	98.8	15.9	13	27	12.5	70	35.4	14.3	36.9	M10	0.72
UEFT205-15	15/16		124	98.8	15.9	13	27	12.5	70	35.4	14.3	36.9	M10	0.72
UEFT205-16	1		124	98.8	15.9	13	27	12.5	70	35.4	14.3	36.9	M10	0.72
UEFT206		30	141	116.7	17.9	13	30	12.5	83	39.8	15.9	41.8	M10	1.04
UEFT206-17	1-1/16		141	116.7	17.9	13	30	12.5	83	39.8	15.9	41.8	M10	1.04
UEFT206-18	1-1/8		141	116.7	17.9	13	30	12.5	83	39.8	15.9	41.8	M10	1.04
UEFT206-19	1-3/16		141	116.7	17.9	13	30	12.5	83	39.8	15.9	41.8	M10	1.04
UEFT206-20	1-1/4		141	116.7	17.9	13	30	12.5	83	39.8	15.9	41.8	M10	1.04
UEFT207		35	156	130.2	19.1	14	34	14	95	43.9	17.5	45.5	M12	1.48
UEFT207-20	1-1/4		156	130.2	19.1	14	34	14	95	43.9	17.5	45.5	M12	1.48
UEFT207-21	1-5/16		156	130.2	19.1	14	34	14	95	43.9	17.5	45.5	M12	1.48
UEFT207-22	1-3/8		156	130.2	19.1	14	34	14	95	43.9	17.5	45.5	M12	1.48
UEFT207-23	1-7/16		156	130.2	19.1	14	34	14	95	43.9	17.5	45.5	M12	1.48
UEFT208		40	171	143.7	21	14	38	14	105	50.2	19	52.2	M12	1.86
UEFT208-24	1-1/2		171	143.7	21	14	38	14	105	50.2	19	52.2	M12	1.86
UEFT208-25	1-9/16		171	143.7	21	14	38	14	105	50.2	19	52.2	M12	1.86
UEFT209		45	179	148.4	21.8	14	40	16	111	50.2	19	53	M14	2.14
UEFT209-26	1-5/8		179	148.4	21.8	14	40	16	111	50.2	19	53	M14	2.14
UEFT209-27	1-11/16		179	148.4	21.8	14	40	16	111	50.2	19	53	M14	2.14
UEFT209-28	1-3/4		179	148.4	21.8	14	40	16	111	50.2	19	53	M14	2.14
UEFT210		50	189	157.2	22.2	14	40	16	116	52.6	19	55.8	M14	2.26
UEFT210-29	1-13/16		189	157.2	22.2	14	40	16	116	52.6	19	55.8	M14	2.26
UEFT210-30	1-7/8		189	157.2	22.2	14	40	16	116	52.6	19	55.8	M14	2.26
UEFT210-31	1-15/16		189	157.2	22.2	14	40	16	116	52.6	19	55.8	M14	2.26
UEFT210-32	2		189	157.2	22.2	14	40	16	116	52.6	19	55.8	M14	2.26
UEFT211		55	216	184.2	25.4	21	44	18	133	56.6	22.2	59.8	M16	3.31
UEFT211-32	2		216	184.2	25.4	21	44	18	133	56.6	22.2	59.8	M16	3.31
UEFT211-33	2-1/16		216	184.2	25.4	21	44	18	133	56.6	22.2	59.8	M16	3.31
UEFT211-34	2-1/8		216	184.2	25.4	21	44	18	133	56.6	22.2	59.8	M16	3.31
UEFT211-35	2-3/16		216	184.2	25.4	21	44	18	133	56.6	22.2	59.8	M16	3.31

Cast DUCTILE iron housing available upon request



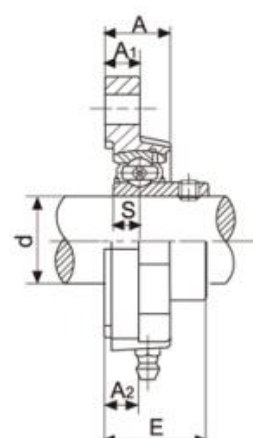
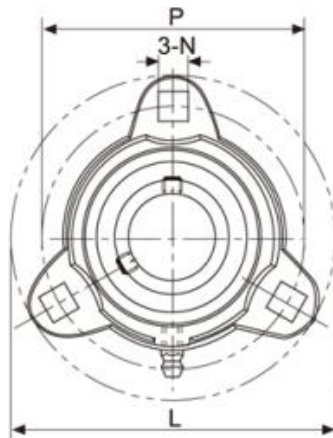
•SBFCT200•



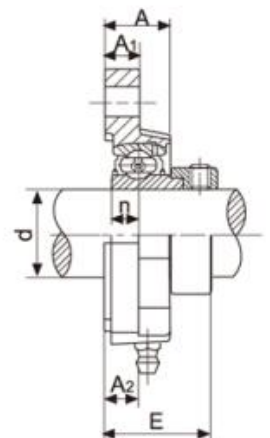
•SAFCT200•

Unit No.	Dimensions (mm)									Bolt Size	Bearing	Housing	Weight (kg)
	d	L	P	A1	A	A2	S	N	E				
SAFCT201	12												
SAFCT201-8	12.7												
SAFCT202	15	81	63.5	10.7	19.1	10.7	7.1	6.5	32.8	M6 1/4	SA202	FCT203	0.26
SAFCT202-10	15.875										SA202-10		
SAFCT203	17	SA203											
SAFCT203-11	17.463	SA203-11											
SAFCT204-12	19.05	90.5	71.4	11.1	19.8	11.1	8.7	7.5	34.5		M8 5/16		
SAFCT204	20									SA204			
SAFCT205-14	22.225	95.2	76.2	10.3	19.8	10.3	8.7	7.5	33.7	M8 5/16	SA205-14	FCT205	0.39
SAFCT205-15	23.813										SA205-15		
SAFCT205	25										SA205		
SAFCT205-16	25.4										SA205-16		
SAFCT206-18	28.575	113	90.5	12	22	12	10.3	9	38.7	M10 3/8	SA206-18	FCT206	0.61
SAFCT206	30										SA206		
SAFCT206-19	30.163										SA2206-19		
SAFCT206-20	31.75										SA206-20		
SAFCT207-20	31.75	122.5	100	12.7	23.8	12.7	10.3	9.5	42.1	M10 3/8	SA207-20	FCT207	0.82
SAFCT207-21	33.338										SA207-21		
SAFCT207-22	34.925										SA207-22		
SAFCT207	35										SA2207		
SAFCT207-23	36.513										SA207-23		

SBFCT200 (Normal-Duty)



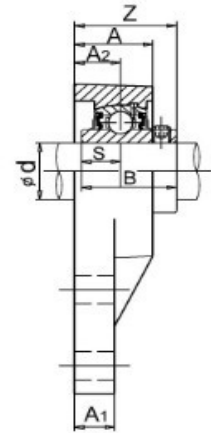
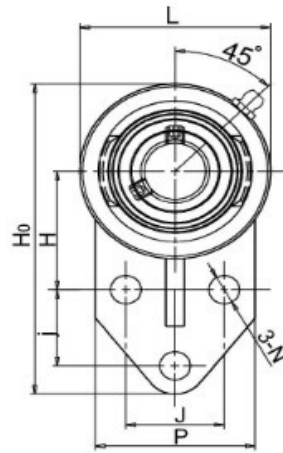
•SBFCT200•



•SAFCT200•

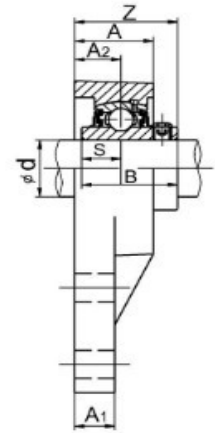
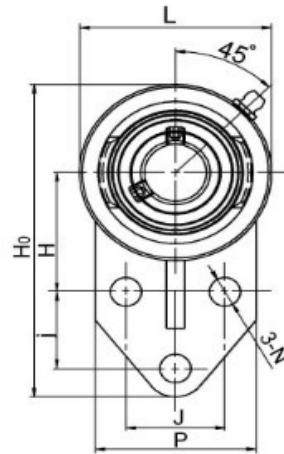
Unit No.	Dimensions (mm)									Bolt Size	Bearing	Housing	Weight (kg)	
	d	L	P	A1	A	A2	N	S	E					
SBFCT201	12										M6	SB201	FCT203	0.21
SBFCT201-8	12.7													
SBFCT202	15	81	63.5	10.7	19.1	10.7	7.1	6	26.7					
SBFCT202-10	15.875													
SBFCT203	17													
SBFCT203-11	17.463													
SBFCT204-12	19.05	90.5	71.4	11.1	19.8	11.1	8.7	7	29.1	M8	SB204-12	FCT204	0.32	
SBFCT204	20										SB204			
SBFCT205-14	22.225	95.2	76.2	10.3	19.8	10.3	8.7	7.5	29.8	M8	SB205-14	FCT205	0.36	
SBFCT205-15	23.813										SB205-15			
SBFCT205	25										SB205			
SBFCT205-16	25.4										SB205-16			
SBFCT206-18	28.575	113	90.5	12	22	12	10.3	8	34	M10	SB206-18	FCT206	0.57	
SBFCT206	30										SB206			
SBFCT206-19	30.163										SB2206-19			
SBFCT206-20	31.75										SB206-20			
SBFCT207-20	31.75	122.5	100	12.7	23.8	12.7	10.3	8.5	36.2	M10	SB207-20	FCT207	0.71	
SBFCT207-21	33.338										SB207-21			
SBFCT207-22	34.925										SB207-22			
SBFCT207	35										SB2207			
SBFCT207-23	36.513										SB207-23			

UCFB200



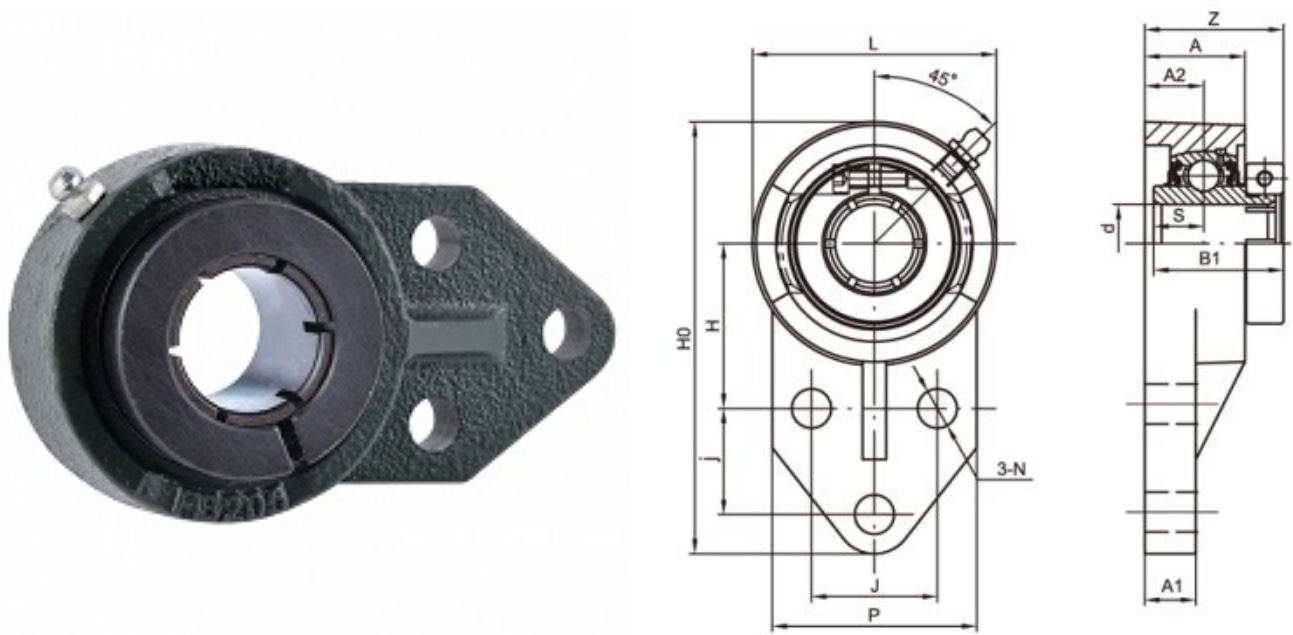
Unit No.	Dimensions(mm)													Bolt Size	Bearing	Housing	Weight (kg)	
	d	Ho	H	J	A2	A1	A	N	L	P	B	S	Z					
UCFB201	12													M8 5/16	UC201		0.62	
UCFB201-8	12.7												UC201-8			0.62		
UCFB202	15												UC202			0.58		
UCFB202-9	14.288												UC202-9			0.58		
UCFB202-10	15.875	110	42	32	15	13	25.5	10	62	52	31	12.7	33.3		UC202-10	FB204	0.58	
UCFB203	17														UC203		0.57	
UCFB203-11	17.463														UC203-11		0.57	
UCFB204	20														UC204		0.62	
UCFB204-12	19.05														UC204-12		0.62	
UCFB205	25														M8 5/16	UC205		0.69
UCFB205-14	22.225	116	45	34	16	13	27	10	68	56	34.1	14.3	35.7			UC205-14	FB205	
UCFB205-15	23.813															UC205-15		
UCFB205-16	25.4													UC205-16				
UCFB206	30													M8 5/16	UC206		0.93	
UCFB206-17	26.988														UC206-17			
UCFB206-18	28.575	130	50	40	18	13	31	10	79	65	38.1	15.9	40.2		UC206-18	FB206		
UCFB206-19	30.163														UC206-19			
UCFB206-20	31.75														UC206-20			
UCFB207	35													M8 5/16	UC207		1.3	
UCFB207-20	31.75														UC207-20			
UCFB207-21	33.338	144	55	46	19	15	34	10	90	70	42.9	17.5	44.4		UC207-21	FB207		
UCFB207-22	34.925														UC207-22			
UCFB207-23	36.513														UC207-23			
UCFB208	40													M10 3/8	UC208		1.8	
UCFB208-24	38.1	164	60	50	21	16	36	12	100	78	49.2	19	51.2		UC208-24	FB208		
UCFB208-25	39.688														UC208-25			
UCFB209	45													M10 3/8	UC209		2	
UCFB209-26	41.275	174	65	54	22	18	38	12	106	80	49.2	19	52.2		UC209-26	FB209		
UCFB209-27	42.863														UC209-27			
UCFB209-28	44.45														UC209-28			
UCFB210	50													M10 3/8	UC210		2.3	
UCFB210-30	47.625	184	68	58	22	18	40	12	112	86	51.6	19	54.6		UC210-30	FB210		
UCFB210-31	49.213														UC210-31			
UCFB210-32	50.8														UC210-32			

UCFB200A



Unit No.	Dimensions(mm)													Bolt Size	Bearing	Housing	Mass (kg)			
	d	Ho	H	J	A2	A1	A	N	L	P	B	S	Z							
UCFB201A	12																	UC201		0.62
UCFB201-8A	12.7																	UC201-8		0.62
UCFB202A	15																	UC202		0.58
UCFB202-9A	14.288																	UC202-9		0.58
UCFB202-10A	15.875	107.95	42.86	38.1	15.88	7.94	25.4	9.92	63.5	60.33	31	12.7	34.18	M8 5/16	UC202-10	FB204A		0.58		
UCFB203A	17																	UC203		0.57
UCFB203-11A	17.463																	UC203-11		0.57
UCFB204A	20																	UC204		0.62
UCFB204-12A	19.05																	UC204-12		0.62
UCFB205A	25																	UC205		
UCFB205-14A	22.225	120.65	46.04	41.27	17.07	9.53	28.57	9.92	69.85	63.5	34.1	14.3	36.87	M8 5/16	UC205-14	FB205A		0.69		
UCFB205-15A	23.813																	UC205-15		
UCFB205-16A	25.4																	UC205-16		
UCFB206A	30																	UC206		
UCFB206-17A	26.988																	UC206-17		
UCFB206-18A	28.575	136.53	52.39	47.63	18.65	12.7	31.75	9.92	82.55	69.85	38.1	15.9	40.85	M8 5/16	UC206-18	FB206A		0.93		
UCFB206-19A	30.163																	UC206-19		
UCFB206-20A	31.75																	UC206-20		
UCFB207	35																	UC207		
UCFB207-20A	31.75																	UC207-20		
UCFB207-21A	33.338	155.58	60.33	50.8	21.03	12.7	36.51	13.1	95.25	82.55	42.9	17.5	46.43	M8	UC207-21	FB207A		1.3		
UCFB207-22A	34.925																	UC207-22		
UCFB207-23A	36.513																	UC207-23		

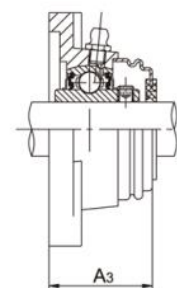
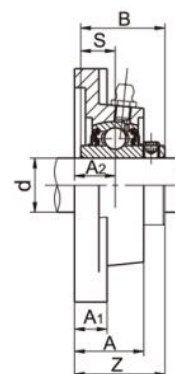
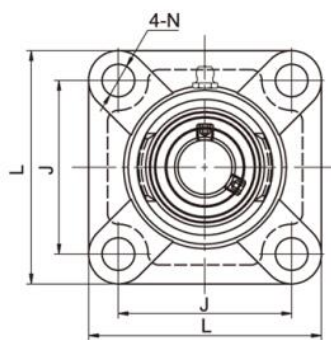
Standard duty, Wider inner ring bearing, Concentric locking, Cast gray iron housing .



Unit No.	Shaft Dia		Dimensions(mm)													Bolt Size (mm)	
	d		Ho	H	J	j	A2	A1	A	N	L	P	B1	S	Z		
	(in)	(mm)															
UEFB204		20	110	42	32	27	15	13	25.5	10	62	52	33	12.7	35.3	M8	0.692
UEFB204-12	3/4		110	42	32	27	15	13	25.5	10	62	52	33	12.7	35.3	M8	0.692
UEFB205		25	116	45	34	27	16	13	27	10	68	56	35.4	14.3	37.1	M8	0.87
UEFB205-14	7/8		116	45	34	27	16	13	27	10	68	56	35.4	14.3	37.1	M8	0.87
UEFB205-15	15/16		116	45	34	27	16	13	27	10	68	56	35.4	14.3	37.1	M8	0.87
UEFB205-16	1		116	45	34	27	16	13	27	10	68	56	35.4	14.3	37.1	M8	0.87
UEFB206		30	130	50	40	29	18	13	31	10	78	65	39.8	15.9	41.9	M8	1.13
UEFB206-17	1-1/16		130	50	40	29	18	13	31	10	78	65	39.8	15.9	41.9	M8	1.13
UEFB206-18	1-1/8		130	50	40	29	18	13	31	10	78	65	39.8	15.9	41.9	M8	1.13
UEFB206-19	1-3/16		130	50	40	29	18	13	31	10	78	65	39.8	15.9	41.9	M8	1.13
UEFB206-20	1-1/4		130	50	40	29	18	13	31	10	78	65	39.8	15.9	41.9	M8	1.13
UEFB207		35	144	55	46	32	19	15	34	10	90	70	43.9	17.5	45.4	M8	1.5
UEFB207-20	1-1/4		144	55	46	32	19	15	34	10	90	70	43.9	17.5	45.4	M8	1.5
UEFB207-21	1-5/16		144	55	46	32	19	15	34	10	90	70	43.9	17.5	45.4	M8	1.5
UEFB207-22	1-3/8		144	55	46	32	19	15	34	10	90	70	43.9	17.5	45.4	M8	1.5
UEFB207-23	1-7/16		144	55	46	32	19	15	34	10	90	70	43.9	17.5	45.4	M8	1.5
UEFB208		40	164	60	50	41	21	16	36	12	100	78	50.2	19	52.2	M10	2.07
UEFB208-24	1-1/2		164	60	50	41	21	16	36	12	100	78	50.2	19	52.2	M10	2.07
UEFB208-25	1-9/16		164	60	50	41	21	16	36	12	100	78	50.2	19	52.2	M10	2.07
UEFB209		45	174	65	54	43	22	18	38	12	106	80	50.2	19	53.2	M10	2.43
UEFB209-26	1-5/8		174	65	54	43	22	18	38	12	106	80	50.2	19	53.2	M10	2.43
UEFB209-27	1-11/16		174	65	54	43	22	18	38	12	106	80	50.2	19	53.2	M10	2.43
UEFB209-28	1-3/4		174	65	54	43	22	18	38	12	106	80	50.2	19	53.2	M10	2.43
UEFB210		50	184	68	58	46	22	18	40	12	112	86	52.6	19	55.6	M10	2.8
UEFB210-30	1-7/8		184	68	58	46	22	18	40	12	112	86	52.6	19	55.6	M10	2.8
UEFB210-31	1-15/16		184	68	58	46	22	18	40	12	112	86	52.6	19	55.6	M10	2.8
UEFB210-32	2		184	68	58	46	22	18	40	12	112	86	52.6	19	55.6	M10	2.8

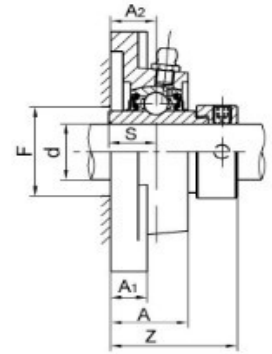
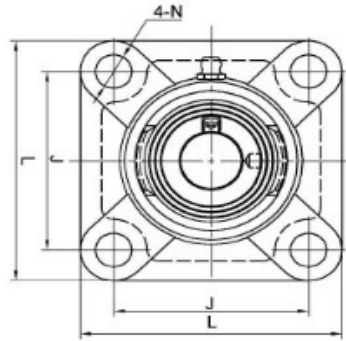
Cast DUCTILE iron housing available upon request

Standard duty, Wider inner ring bearing, Setscrew locking, Cast gray iron housing



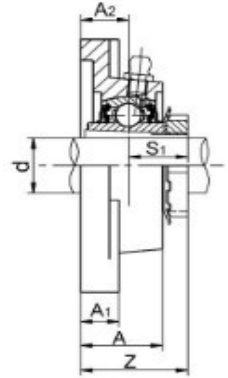
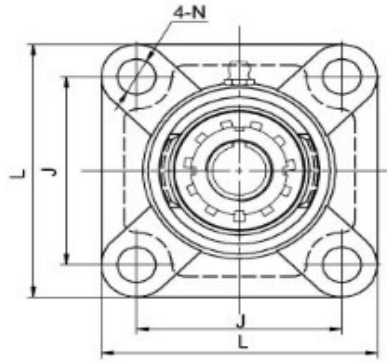
Unit No.	Dimensions(mm)											Bolt Size	Bearing	Housing	Weight (kg)	
	d	L	J	A2	A1	A	N	B	S	Z	A3					
UCSF201	12												M10 3/8	UCS201	F203	0.72
UCSF202	15	76	54	15	11	25.5	12	27.4	11.5	30.9		UCS202		0.62		
UCSF203	17											UCS203		0.61		
UCF201	12											M10 3/8	UC201	F204	0.61	
UCF201-8	12.7												UC201-8			
UCF202	15												UC202			
UCF202-9	14.288												UC202-9			
UCF202-10	15.875	86	64	15	12	25.5	12	31	12.7	33.3			UC202-10			
UCF203	17												UC203			
UCF203-11	17.463												UC203-11			
UCF204	20										38.2		UC204			
UCF204-12	19.05										38.2		UC204-12			
UCF205	25	95	70	16	14	27	12	34.1	14.3	35.8	40	M10 3/8	UC205	F205	0.8	
UCF205-16	25.4											UC205-16				
UCF206	30	108	83	18	14	31	12	38	15.9	40.2	44	M10 3/8	UC206	F206	1	
UCF206-20	31.75											UC206-20				
UCF207	35	117	92	19	16	34	14	42.9	17.5	44.4	48.5	M12 7/16	UC207	F207	1.4	
UCF207-22	34.925											UC207-22				
UCF208	40	130	102	21	16	36	16	49.2	19	51.2	55.1	M14 1/2	UC208	F208	1.8	
UCF208-24	38.1											UC208-24				
UCF209	45	137	105	22	18	38	16	49.2	19	52.2	57	M14 1/2	UC209	F209	2.2	
UCF209-28	44.45											UC209-28				
UCF210	50	143	111	22	18	40	16	51.6	19	54.6	60	M14 1/2	UC210	F210	2.4	
UCF210-30	47.625											UC210-30				
UCF211	55	162	130	25	20	43	19	55.6	22.2	58.4	63	M16 5/8	UC211	F211	3.5	
UCF211-32	50.8											UC211-32				
UCF212	60	175	143	29	20	48	19	65.1	25.4	68.7	73.5	M16 5/8	UC212	F212	4.2	
UCF212-36	57.15											UC212-36				
UCF213	65	187	149	30	22	50	19	65.1	25.4	69.7	74.5	M16 5/8	UC213	F213	5.3	
UCF213-40	63.5											UC213-40				
UCF214	70	193	152	31	22	54	19	74.6	30.2	75.4	80	M16 5/8	UC214	F214	5.9	
UCF214-44	69.85											UC214-44				
UCF215	75	200	159	34	22	56	19	77.8	33.3	78.5	82.5	M16 5/8	UC215	F215	6.3	
UCF215-48	76.2											UC215-48				
UCF216	80	208	165	34	22	58	23	82.6	33.3	83.3	89	M20 3/4	UC216	F216	7.3	
UCF216-50	79.375											UC216-50				
UCF217	85	220	175	36	24	63	23	85.7	34.1	87.6	92.1	M20 3/4	UC217	F217	8.9	
UCF217-52	82.55											UC217-52				
UCF218	90	235	187	40	25	68	23	96	39.7	96.3	102	M20 3/4	UC218	F218	11.6	
UCF218-56	88.9											UC218-56				

Standard duty,Wider inner ring bearing, Eccentric locking,Cast gray iron housing



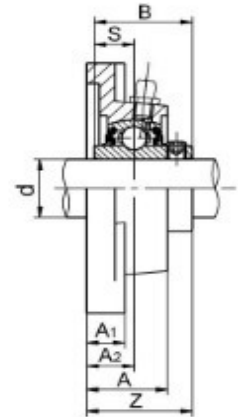
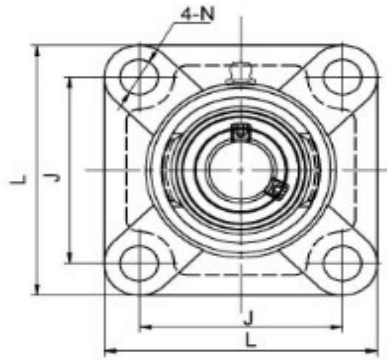
Unit No.	Dimensions(mm)										Bolt Size	Bearing	Housing	Weight (kg)	
	d	L	J	A2	A1	A	N	S	Z	F					
NASF201	12											M10 3/8	NASF201	F203	0.5
NASF201-8	12.7										NASF201-8				
NASF202	15										NASF202				
NASF202-9	14.288	76	54	15	11	25.5	12	13.9	38.4		NASF202-9				
NASF202-10	15.875										NASF202-10				
NASF203	17										NASF203				
NASF203-11	17.463										NASF203-11				
NAF201	12										M10 3/8	NA201	F204	0.66	
NAF201-8	12.7											NA201-8			
NAF202	15											NA202			
NAF202-9	14.288											NA202-9			
NAF202-10	15.875	86	64	15	12	25.5	12	17.1	41.6	32		NA202-10			
NAF203	17											NA203			
NAF203-11	17.463											NA203-11			
NAF204	20											NA204			
NAF204-12	19.05										NA204-12				
NAF205	25										M10 3/8	NA205	F205	0.8	
NAF205-16	25.4	95	70	16	14	27	12	17.5	42.9	36		NA205-16			
NAF206	30										M10 3/8	NA206	F206	1.2	
NAF206-20	31.75	108	83	18	14	31	12	18.3	48.1	42		NA206-20			
NAF207	35										M12 7/16	NA207	F207	1.6	
NAF207-22	34.925	117	92	19	16	34	14	18.8	51.3	49		NA207-22			
NAF208	40										M14 1/2	NA208	F208	1.9	
NAF208-24	38.1	130	102	21	16	36	16	19	55.9	55		NA208-24			
NAF209	45										M14 1/2	NA209	F209	2.3	
NAF209-28	44.45	137	105	22	18	38	16	19	56.9			NA209-28			
NAF210	50										M14 1/2	NA210	F210	2.6	
NAF210-30	47.625	143	111	22	18	40	16	19	60.1	64		NA210-30			
NAF211	55										M16 5/8	NA211	F211	3.8	
NAF211-32	50.8	162	130	25	20	43	19	22.2	68.6	71		NA211-32			
NAF212	60										M16 5/8	NA212	F212	4.8	
NAF212-36	57.15	175	143	29	20	48	19	25.4	75.8	78		NA212-36			
NAF213	65										M16 5/8	NA213	F213	6	
NAF213-40	63.5	187	149	30	22	50	19	25.4	81.4	85		NA213-40			
NAF214	70										M16 5/8	NA214	F214	6.3	
NAF214-44	69.85	193	152	31	22	54	19	30.2	82.4	91		NA214-44			
NAF215	75										M16 5/8	NA215	F215	7.2	
NAF215-48	76.2	200	159	34	22	56	19	33.3	88.8	96		NA215-48			

Standard duty, Tapered bore, Adapter sleeve locking, Cast gray iron housing



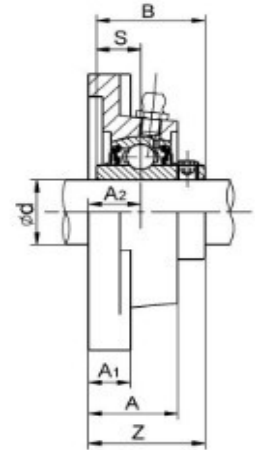
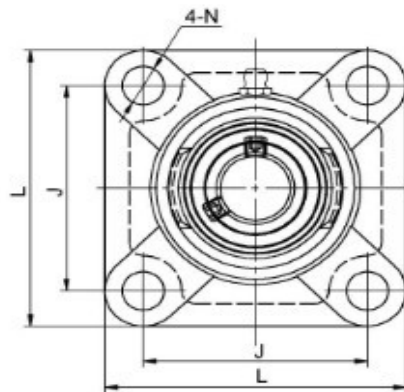
Unit No.	Dimensions(mm)									Bolt Size	Bearing	Housing	Weight (kg)
	d	L	J	A2	A1	A	N	S1	Z				
UKF205+H2305	20	95	70	16	14	27	12	18.5	34.5	M10 3/8	UK205	F205	0.84
UKF205+HE2305	19.05												
UKF206+H2306	25	108	83	18	14	31	12	15.9	40.2	M10 3/8	UK206	F206	1.1
UKF206+HS2306	22.225												
UKF206+HA2306	23.812												
UKF206+HE2306	25.4												
UKF207+H2307	30												
UKF207+HS2307	28.575	117	92	19	16	34	14	17.5	44.4	M12 7/16	UK207	F207	1.6
UKF207+HA2307	30.163												
UKF208+H2308	35												
UKF208+HE2308	31.75	130	102	21	16	36	16	19	51.2	M14 1/2	UK208	F208	1.8
UKF208+HS2308	34.925												
UKF209+H2309	40												
UKF209+HA2309	36.513	137	105	22	18	38	16	19	52.2	M14 1/2	UK209	F209	2.2
UKF209+HE2309	38.1												
UKF210+H2310	45												
UKF210+HS2310	41.275	143	111	22	18	40	16	19	54.6	M14 1/2	UK210	F210	2.4
UKF210+HA2310	42.863												
UKF210+HE2310	44.45												
UKF211+H2311	50												
UKF211+HS2311	47.625	162	130	25	20	43	19	22.2	58.4	M16 5/8	UK211	F211	3.5
UKF211+HA2311	49.213												
UKF211+HE2311	50.8												
UKF212+H2312	55												
UKF212+HS2312	53.975	175	143	29	20	48	19	25.4	68.7	M16 5/8	UK212	F212	4.2
UKF213+H2313	60												
UKF213+HA2313	55.563												
UKF213+HE2313	57.15	187	149	30	22	50	19	25.4	69.7	M16 5/8	UK213	F213	5.3
UKF213+HS2313	60.325												
UKF215+H2315	65												
UKF215+HA2315	61.913	200	159	34	22	56	19	33.3	78.5	M16 5/8	UK215	F215	6.3
UKF215+HE2315	63.5												
UKF216+H2316	70												
UKF216+HA2316	68.263	208	165	34	22	58	23	33.3	83.3	M20 3/4	UK216	F216	7.3
UKF216+HE2316	69.85												
UKF217+H2317	75												
UKF217+HA2317	74.613	220	175	36	24	63	23	34.1	87.6	M20 3/4	UK217	F217	8.9
UKF217+HE2317	76.2												
UKF218+H2318	80												
UKF218+HS2318	79.375	235	187	40	25	68	23	39.7	96.3	M20 3/4	UK218	F218	11.6
UKF218+HA2318	80.963												

Medium duty,Wider inner ring bearing,Setscrew locking,Cast gray iron housing



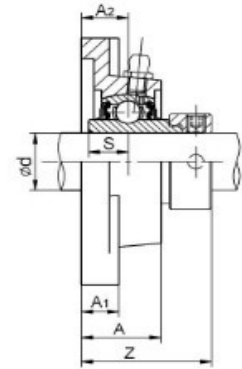
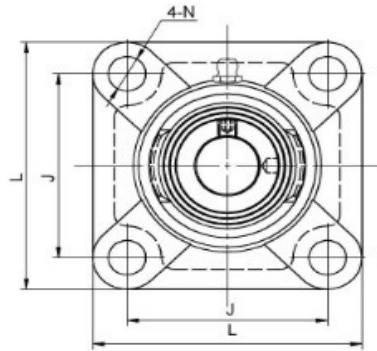
Unit No.	Dimensions(mm)										Bolt Size	Bearing	Housing	Weight (kg)
	d	L	J	A2	A1	A	N	B	S	Z				
UCFX05	25	108	83	18	13	30	12	38.1	15.9	40.2	M10 3/8	UCX05 UCX05-16	FX05	1
UCFX05-16	25.4													
UCFX06	30	117	92	19	14	34	16	42.9	17.5	44.4	M14 1/2	UCX06 UCX06-20	FX06	1.7
UCFX06-20	31.75													
UCFX07	35	130	101.5	21	14	38	16	49.2	19	51.2	M14 1/2	UCX07 UCX07-22	FX07	2.1
UCFX07-22	34.925													
UCFX08	40	137	105	22	14	40	19	49.2	19	52.2	M16 5/8	UCX08 UCX08-24 UCX08-25	FX08	2.4
UCFX08-24	38.1													
UCFX08-25	39.688													
UCFX09	45	143	111	23	14	40	19	51.6	19	55.6	M16 5/8	UCX09 UCX09-28	FX09	2.5
UCFX09-28	44.45													
UCFX10	50	162	130	26	20	44	19	55.6	22.2	59.4	M16 5/8	UCX10 UCX10-32	FX10	3.9
UCFX10-32	50.8													
UCFX11	55	175	143	29	20	49	19	65.1	25.4	68.7	M16 5/8	UCX11 UCX11-36	FX11	4.9
UCFX11-34	53.975													
UCFX12	60	187	149	34	21	57	19	65.1	25.4	73.7	M16 5/8	UCX12 UCX12-38	FX12	5.2
UCFX12-38	60.325													
UCFX13	65	187	149	34	21	59	19	74.6	30.2	78.4	M16 5/8	UCX13 UCX13-40	FX13	5.3
UCFX13-40	63.5													
UCFX14	70	197	152	37	24	60	23	77.8	33.3	81.5	M20 3/4	UCX14 UCX14-44	FX14	7.3
UCFX14-44	69.85													
UCFX15	75	197	152	40	24	68	23	82.6	33.3	89.3	M20 3/4	UCX15 UCX15-48	FX15	8.1
UCFX15-48	76.2													
UCFX16	80	214	171	40	24	70	23	85.7	34.1	91.6	M20 3/4	UCX16 UCX16-52	FX16	9.9
UCFX16-52	82.55													
UCFX17	85	214	171	40	24	70	23	96	39.7	96.3	M20 3/4	UCX17 UCX17-53	FX17	11
UCFX17-53	84.138													
UCFX18	90	214	171	45	24	76	23	104	42.9	106.1	M20 3/4	UCX18 UCX18-56	FX18	11
UCFX18-56	88.9													
UCFX20	100	268	211	59	31	97	31	117.5	49.2	127.3	M27 1	UCX20 UCX20-64	FX20	17
UCFX20-64	101.6													

Heavy duty,Wider inner ring bearing,Setscrew locking,Cast gray iron housing



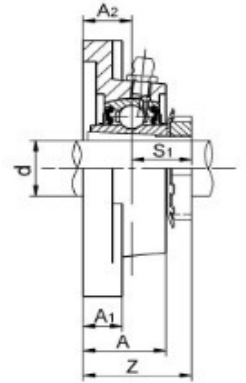
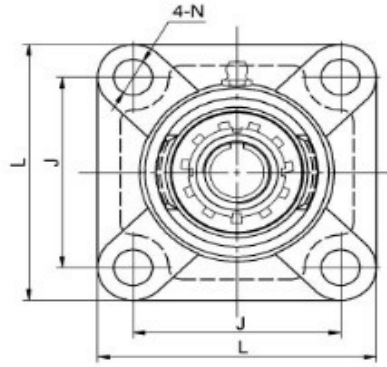
Unit No.												Bolt Size	Bearing	Housing	Weight (kg)
	d	L	J	A2	A1	A	N	B	S	Z	A3				
UCF305	25	110	80	16	13	29	16	38	15	39		M14	UC305	F305	1.2
UCF306	30	125	95	18	15	32	16	43	17	44		M14	UC306	F306	1.8
UCF307	35	135	100	20	16	36	19	48	19	49		M16	UC307	F307	2.2
UCF308	40	150	112	23	17	40	19	52	19	56		M16	UC308	F308	2.9
UCF309	45	160	125	25	18	44	19	57	22	61		M16	UC309	F309	3.5
UCF310	50	175	132	28	19	48	23	61	22	67		M20	UC310	F310	4.8
UCF311	55	185	140	30	20	52	23	66	25	71		M20	UC311	F311	5.6
UCF312	60	193	150	33	22	56	23	71	26	78		M20	UC312	F312	6.7
UCF313	65	208	166	33	22	58	23	75	30	78		M20	UC313	F313	7.8
UCF314	70	224	178	36	25	61	25	78	33	81		M22	UC314	F314	10.1
UCF315	75	236	184	39	25	66	25	82	32	89		M22	UC315	F315	11.1
UCF316	80	250	196	38	27	68	31	86	34	90		M27	UC316	F316	12.8
UCF317	85	260	204	44	27	74	31	96	40	100		M27	UC317	F317	15.4
UCF318	90	280	216	44	30	76	35	96	40	100		M30	UC318	F318	19
UCF319	95	290	228	59	30	94	35	103	41	121		M30	UC319	F319	20.6
UCF320	100	310	242	59	32	94	38	108	42	125		M33	UC320	F320	25.7
UCF321	105	310	242	59	32	94	38	112	44	128		M33	UC321	F321	25.6
UCF322	110	340	266	60	35	96	41	117	46	131		M36	UC322	F322	38
UCF324	120	370	290	65	40	110	41	126	51	140		M36	UC324	F324	50
UCF326	130	410	320	65	45	115	41	135	54	146		M36	UC326	F326	66
UCF328	140	450	350	75	55	125	41	145	59	141		M36	UC328	F328	90

Heavy duty,Wider inner ring bearing, Eccentric locking,Cast gray iron housing



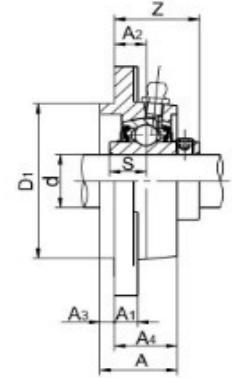
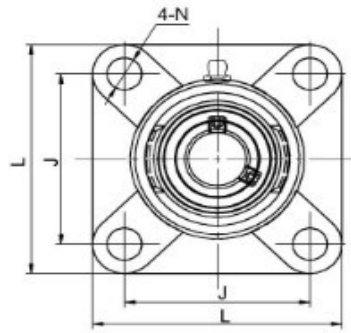
Unit No.	Dimensions (mm)									Bolt Size	Bearing	Housing	Weight (kg)
	d	L	J	A2	A1	A	N	S	Z				
NAF305	25										NA305		
NAF305-14	22.225	110	80	16	13	29	16	16.7	46.1	M14	NA305-14	F305	1.2
NAF305-15	23.813									1/2	NA305-15		
NAF305-16	25.4										NA305-16		
NAF306	30										NA306		
NAF306-18	28.575	125	95	18	15	32	16	17.5	50.5	M14	NA306-18	F306	1.7
NAF306-19	30.163									1/2	NA306-19		
NAF307	35										NA307		
NAF307-20	31.75	135	100	20	16	36	19	18.3	53.3	M16	NA307-20	F307	2
NAF307-21	33.338									5/8	NA307-21		
NAF307-22	34.925										NA307-22		
NAF308	40										NA308		
NAF308-24	38.1	150	112	23	17	40	19	19.8	60.3	M16	NA308-24	F308	2.8
NAF308-25	39.688									5/8	NA308-25		
NAF309	45										NA309		
NAF309-26	41.275	160	125	25	18	44	19	19.8	63.9	M16	NA309-26	F309	3.6
NAF309-27	42.863									5/8	NA309-27		
NAF309-28	44.45										NA309-28		
NAF310	50										NA310		
NAF310-30	47.625	175	132	28	19	48	23	24.6	70	M20	NA310-30	F310	4.7
NAF310-31	49.213									3/4	NA310-31		
NAF311	55										NA311		
NAF311-32	50.8	185	140	30	20	52	23	27.8	75.2	M20	NA311-32	F311	5.7
NAF311-34	53.975									3/4	NA311-34		
NAF311-35	55.563										NA311-35		
NAF312	60										NA312		
NAF312-36	57.15	193	150	33	22	56	23	30.95	81.45	M20	NA312-36	F312	6.8
NAF312-38	60.325									3/4	NA312-38		
NAF312-39	61.913										NA312-39		
NAF313	65										NA313		
NAF313-40	63.5	208	166	33	22	58	23	32.55	85.65	M20	NA313-40	F313	8.3
NAF314	70										NA314		
NAF314-44	69.85	224	178	36	25	61	25	34.15	93.95	M22	NA314-44	F314	10.7
NAF315	75										NA315		
NAF315-48	76.2	236	184	39	25	66	25	37.3	101.7	M22	NA315-48	F315	12.24
NAF316	80	250	196	38	27	68	31	40.5	103.9	M27	NA316	F316	16
NAF317	85	260	204	44	27	74	31	42.05	111.45	M27	NA317	F317	17
NAF317-52	82.55									1	NA317-52		
NAF318	90	280	216	44	30	76	35	43.65	116.25	M30	NA318	F318	21
NAF318-56	88.9									1-1/8	NA318-56		
NAF319	95	290	228	59	30	94	35	38.9	142.4	M30	NA319	F319	23
NAF319-60	95.25									1-1/8	NA319-60		
NAF320	100	310	242	59	32	94	38	50	137.6	M33	NA320	F320	28
NAF320-64	101.6									1-1/4	NA320-64		

Heavy duty, Tapered bore, Adapter sleeve locking, Cast gray iron housing



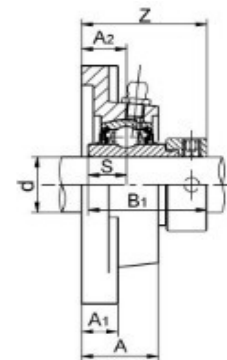
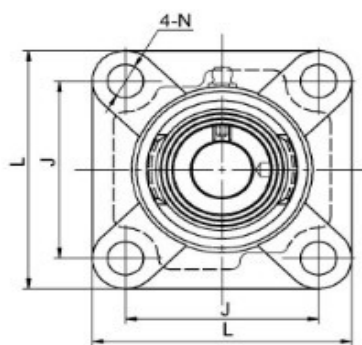
Unit No.	Dimensions (mm)									Bolt Size	Bearing	Housing	Weight (kg)
	d	L	J	A2	A1	A	N	S1	z				
UKF305+H2305	20	110	80	16	13	29	16	21.5	37.5	M14	UK305	F305	1.2
UKF305+HE2305	19.05												
UKF306+H2306	25	125	95	18	15	32	16	23	41	M14	UK306	F306	1.8
UKF306+HS2306	22.225												
UKF306+HA2306	23.813												
UKF306+HE2306	25.4												
UKF307+H2307	30	135	100	20	16	36	19	25.5	45.5	M16	UK307	F307	2.2
UKF307+HS2307	28.575												
UKF307+HA2307	30.163												
UKF308+H2308	35	150	112	23	17	40	19	27.5	50.5	M16	UK308	F308	2.9
UKF308+HE2308	31.75												
UKF308+HS2308	34.925												
UKF309+H2309	40	160	125	25	18	44	19	30	55	M16	UK309	F309	3.5
UKF309+HA2309	36.513												
UKF309+HE2309	38.1												
UKF310+H2310	45	175	132	28	19	48	23	32	60	M20	UK310	F310	4.8
UKF310+HS2310	41.275												
UKF310+HA2310	42.863												
UKF310+HE2310	44.45												
UKF311+H2311	50	185	140	30	20	52	23	33.5	63.5	M20	UK311	F311	5.6
UKF311+HS2311	47.625												
UKF311+HA2311	49.213												
UKF311+HE2311	50.8												
UKF312+H2312	55	193	150	33	22	56	23	36.5	69.5	M20	UK312	F312	6.7
UKF312+HS2312	53.975												
UKF313+H2313	60	208	166	33	22	58	23	38.5	71.5	M20	UK313	F313	7.8
UKF313+HA2313	55.563												
UKF313+HE2313	57.15												
UKF313+HS2313	60.325												
UKF315+H2315	65	236	184	39	25	66	25	42.5	81.5	M22	UK315	F315	12
UKF315+HA2315	61.913												
UKF315+HS2315	63.5												
UKF316+H2316	70	250	196	38	27	68	31	44.5	82.5	M27	UK316	F316	15
UKF317+H2317	75												
UKF318+H2318	80	280	216	44	30	76	35	48	92	M30	UK318	F318	20
UKF319+H2319	85												
UKF320+H2320	90	290	228	59	30	94	35	52	111	M30	UK319	F319	22
UKF320+H2320	90												

Heavy duty, Pilot on the back of housing, Wider inner ring bearing, Setscrew locking, Cast gray iron housing



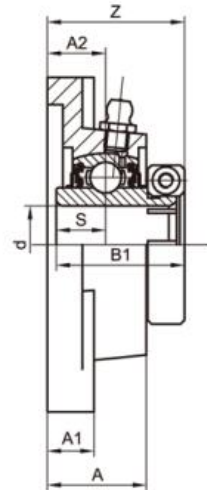
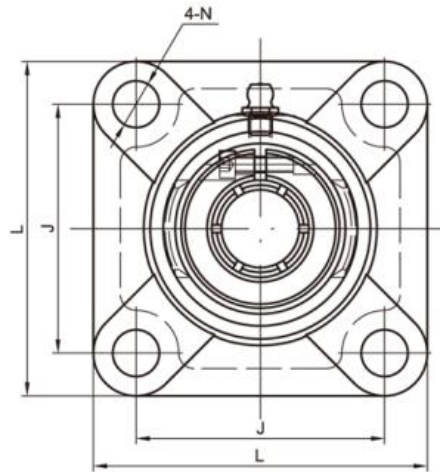
Unit No.	Dimensions (mm)												Bolt Size	Bearing	Housing	Weight (kg)	
	d	L	J	A2	A4	A	A3	A4	N	D1	s	z					
UCFS305	25													M14 1/2	UC305 UC305-14 UC305-15 UC305-16	FS305	1.3
UCFS305-14	22.225	110	80	9	22	29	7	13	16	80	15	32					
UCFS305-15	23.813																
UCFS305-16	25.4																
UCFS306	30																
UCFS306-18	28.575	125	95	10	24	32	8	15	16	90	17	36					
UCFS306-19	30.163																
UCFS307	35																
UCFS307-20	31.75	135	100	11	27	36	9	16	19	100	19	40					
UCFS307-21	33.338																
UCFS307-22	34.925																
UCFS308	40																
UCFS308-24	38.1	150	112	13	30	40	10	17	19	115	19	46					
UCFS308-25	39.688																
UCFS309	45																
UCFS309-26	41.275	160	125	14	33	44	11	18	22	125	22	49					
UCFS309-27	42.863																
UCFS309-28	44.45																
UCFS310	50																
UCFS310-30	47.625	175	132	16	36	48	12	19	22	140	22	55					
UCFS310-31	49.213																
UCFS311	55																
UCFS311-32	50.8	185	140	17	39	52	13	20	25	150	25	58					
UCFS311-34	53.975																
UCFS312	60																
UCFS312-36	57.15	195	150	19	42	56	14	22	27	160	26	64					
UCFS312-38	60.325																
UCFS312-39	61.913																
UCFS313	65																
UCFS313-40	63.5																
UCFS314	70												M22	UC314 UC314-44	FS314	11	
UCFS314-44	69.85																
UCFS315	75												M22	UC315 UC315-48	FS315	13	
UCFS315-48	76.2																
UCFS316	80												M27	UC316 UC316	FS316	15	
UCFS317	85	260	204	24	54	74	20	27	40	220	40	80					
UCFS317-52	82.55																
UCFS318	90												M30	UC318 UC318-56	FS318	21	
UCFS318-56	88.9																
UCFS319	95												M30	UC319 UC319-60	FS319	25	
UCFS319-60	95.25																
UCFS320	100												M33	UC320 UC320-64	FS320	30	
UCFS320-64	101.6																
UCFS322	100												M36	UC322 UC322	FS322	39	
UCFS324	120	370	290	35	80	110	30	40	51	330	110	110					
UCFS326	130																
UCFS328	140												M36	UC328 UC328	FS328	100	
UCFS328	140																

Standard duty, Wider inner ring bearing, Eccentric locking, Cast gray iron housing



Unit No.	Dimensions(mm)										Bolt Size	Bearing	Housing	Weight (kg)	
	d	L	J	A2	A1	A	N	B1	S	Z					
NASFU201	12											M10 3/8	NAS201	FU203	0.66
NASFU201-8	12.7										NAS201-8				
NASFU202	15										NAS202				
NASFU202-9	14.288	76	54	15	11	24.5	11.5	37.3	13.9	38.4	NAS202-9				
NASFU202-10	15.875										NAS202-10				
NASFU203	17										NAS203				
NASFU203-11	17.463										NAS203-11				
NAFU201	12										M10 3/8	NA201	FU204	0.8	
NAFU201-8	12.7											NA201-8			
NAFU202	15											NA202			
NAFU202-9	14.288											NA202-9			
NAFU202-10	15.875	86	63.5	19	15	29.5	11.5	43.7	17	45.5		NA202-10			
NAFU203	17											NA203			
NAFU203-11	17.463											NA203-11			
NAFU204	20										NA204				
NAFU204-12	19.05										NA204-12				
NAFU205	25										M10 3/8	NA205	FU205	0.95	
NAFU205-16	25.4	93	70	19	15	30	11.5	44.4	17.4	45.9		NA205-16			
NAFU206	30										M10 3/8	NA206	FU206	1.32	
NAFU206-20	31.75	106	82.5	20	16	32.5	11.5	48.4	18.2	50.1		NA206-20			
NAFU207	35										M12 7/16	NA207	FU207	1.77	
NAFU207-22	34.925	116	92	21	17	35	14	51.1	18.8	53.3		NA207-22			
NAFU208	40										M12 7/16	NA208	FU208	2.22	
NAFU208-24	38.1	129	101.5	24	17	39	14	56.3	21.4	58.9		NA208-24			
NAFU209	45										M14 1/2	NA209	FU209	2.63	
NAFU209-28	44.45	135	105	24	18	40	16	56.3	21.4	58.9		NA209-28			
NAFU210	50										M16 5/8	NA210	FU210	2.95	
NAFU210-30	47.625	143	111	28	20	45	18	62.7	24.6	66.1		NA210-30			
NAFU211	55										M16 5/8	NA211	FU211	4.1	
NAFU211-32	50.8	162	130	31	21	49	18	71.4	27.7	74.6		NA211-32			
NAFU212	60										M16 5/8	NA212	FU212	4.86	
NAFU212-36	57.15	175	143	34	22	53.5	18	77.8	30.9	80.8		NA212-36			
NAFU213	65										M16 5/8	NA213	FU213	5.9	
NAFU213-40	63.5	184	149	38	22	58	18	85.7	34.1	89.6		NA213-40			
NAFU214	70										M16 5/8	NA214	FU214	6.45	
NAFU214-44	69.85	188	152	38	23	60	18	85.7	34.1	89.6		NA214-44			
NAFU215	75										M16 5/8	NA215	FU215	7.55	
NAFU215-48	76.2	200	159	41	24	62	18	92.1	37.3	95.8		NA215-48			
NAFU216	80										M20	NA216	FU216	8.65	

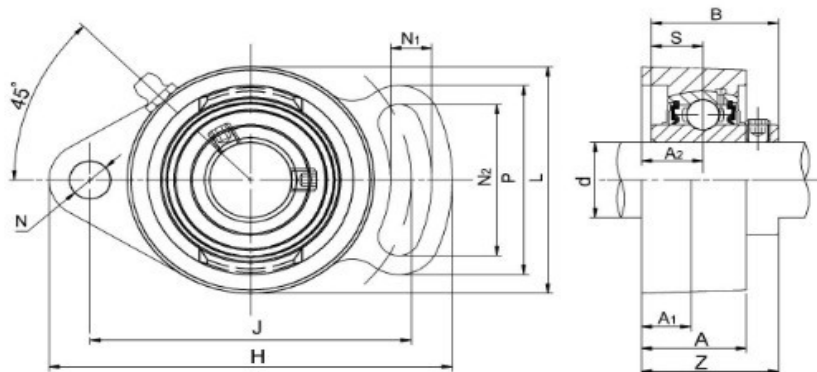
Standard duty, Wider inner ring bearing, Concentric locking, Cast gray iron housing .



Unit No.	Shaft Dia		Dimensions(mm)								Bolt Size (mm)	Weight (kg)	
	d		L	J	A2	A1	A	N	B1	S			Z
	(in)	(mm)											
UEF204		20	86	64	15	12	25.5	12	33	12.7	35.3	M10	0.63
UEF204-12	3/4		86	64	15	12	25.5	12	33	12.7	35.3	M10	0.63
UEF205		25	95	70	16	14	27	12	35.4	14.3	37.1	M10	0.83
UEF205-14	7/8		95	70	16	14	27	12	35.4	14.3	37.1	M10	0.83
UEF205-15	15/16		95	70	16	14	27	12	35.4	14.3	37.1	M10	0.83
UEF205-16	1		95	70	16	14	27	12	35.4	14.3	37.1	M10	0.83
UEF206		30	108	83	18	14	31	12	39.8	15.9	41.9	M10	1.18
UEF206-17	1-1/16		108	83	18	14	31	12	39.8	15.9	41.9	M10	1.18
UEF206-18	1-1/8		108	83	18	14	31	12	39.8	15.9	41.9	M10	1.18
UEF206-19	1-3/16		108	83	18	14	31	12	39.8	15.9	41.9	M10	1.18
UEF206-20	1-1/4		108	83	18	14	31	12	39.8	15.9	41.9	M10	1.18
UEF207		35	117	92	19	16	34	14	43.9	17.5	45.4	M12	1.52
UEF207-20	1-1/4		117	92	19	16	34	14	43.9	17.5	45.4	M12	1.52
UEF207-21	1-5/16		117	92	19	16	34	14	43.9	17.5	45.4	M12	1.52
UEF207-22	1-3/8		117	92	19	16	34	14	43.9	17.5	45.4	M12	1.52
UEF207-23	1-7/16		117	92	19	16	34	14	43.9	17.5	45.4	M12	1.52
UEF208		40	130	102	21	16	36	16	50.2	19	52.2	M14	1.94
UEF208-24	1-1/2		130	102	21	16	36	16	50.2	19	52.2	M14	1.94
UEF208-25	1-9/16		130	102	21	16	36	16	50.2	19	52.2	M14	1.94
UEF209		45	137	105	22	18	38	16	50.2	19	53.2	M14	2.41
UEF209-26	1-5/8		137	105	22	18	38	16	50.2	19	53.2	M14	2.41
UEF209-27	1-11/16		137	105	22	18	38	16	50.2	19	53.2	M14	2.41
UEF209-28	1-3/4		137	105	22	18	38	16	50.2	19	53.2	M14	2.41
UEF210		50	143	111	22	18	40	16	52.6	19	55.6	M14	2.66
UEF210-30	1-7/8		143	111	22	18	40	16	52.6	19	55.6	M14	2.66
UEF210-31	1-15/16		143	111	22	18	40	16	52.6	19	55.6	M14	2.66
UEF210-32	2		143	111	22	18	40	16	52.6	19	55.6	M14	2.66
UEF211		55	162	130	25	20	43	19	56.6	22.2	59.4	M16	3.73
UEF211-32	2		162	130	25	20	43	19	56.6	22.2	59.4	M16	3.73
UEF211-34	2-1/8		162	130	25	20	43	19	56.6	22.2	59.4	M16	3.73
UEF211-35	2-3/16		162	130	25	20	43	19	56.6	22.2	59.4	M16	3.73
UEF212		60	175	143	29	20	48	19	66.6	25.4	70.2	M16	4.69
UEF212-36	2-1/4		175	143	29	20	48	19	66.6	25.4	70.2	M16	4.69
UEF212-38	2-3/8		175	143	29	20	48	19	66.6	25.4	70.2	M16	4.69
UEF212-39	2-7/16		175	143	29	20	48	19	66.6	25.4	70.2	M16	4.69

Cast DUCTILE iron housing available upon request

UCFA200

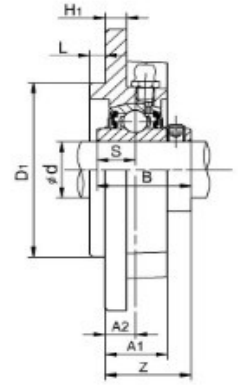
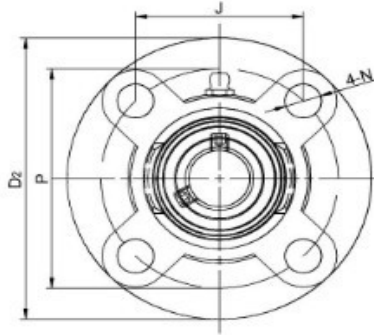


Unit No.	Dimensions (mm)														Bolt Size	Bearing	Housing	Weight (kg)
	d	H	J	A2	A1	A	N	N1	N2	L	P	B	S	Z				
UCFA201	12														M8 5/16	UC201	FA204	0.53
UCFA201-8	12.7													UC201-8		0.53		
UCFA202	15													UC202		0.49		
UCFA202-9	14.288													UC202-9		0.49		
UCFA202-10	15.875	98	78	15	12	25.5	10	10	40	60	50	31	12.7	33.3		UC202-10		0.49
UCFA203	17															UC203		0.48
UCFA203-11	17.463															UC203-11		0.48
UCFA204	20															UC204		0.46
UCFA204-12	19.05															UC204-12		0.46
UCFA205	25														M10 3/8	UC205	FA205	0.69
UCFA205-14	22.225	125	98	16	14	27	12	13	5	70	65	34.1	14.3	35.8		UC205-14		
UCFA205-15	23.813															UC205-15		
UCFA205-16	25.4															UC205-16		
UCFA206	30														M10 3/8	UC206	FA206	1
UCFA206-17	26.988															UC206-17		
UCFA206-18	28.575	142	117	18	14	31	12	13	58	83	72	38.1	15.9	40.2		UC206-18		
UCFA206-19	30.163															UC206-19		
UCFA206-20	31.75															UC206-20		
UCFA207	35														M12 7/16	UC207	FA207	1.5
UCFA207-20	31.75															UC207-20		
UCFA207-21	33.338	154	130	19	16	34	15	15	66	95	82	42.9	17.5	44.4		UC207-21		
UCFA207-22	34.925															UC207-22		
UCFA207-23	36.513															UC207-23		
UCFA208	40														M12 7/16	UC208	FA208	1.8
UCFA208-24	38.1	172	144	21	16	38	15	15	71	105	87	49.2	19	51.2		UC208-24		
UCFA208-25	39.688															UC208-25		
UCFA209	45														M14 1/2	UC209	FA209	2.1
UCFA209-26	41.275	180	148	22	18	40	15	15	72	110	90	49.2	19	52.2		UC209-26		
UCFA209-27	42.863															UC209-27		
UCFA209-28	44.45															UC209-28		
UCFA210	50														M14 1/2	UC210	FA210	2.3
UCFA210-30	47.625	190	157	22	18	40	15	15	76	115	94	51.6	19	54.6		UC210-30		
UCFA210-31	49.213															UC210-31		
UCFA210-32	50.8															UC210-32		
UCFA211	55														M14 1/2	UC211	FA211	3.6
UCFA211-32	50.8	216	184	25	20	43	16	17	86	132	104	55.6	22.2	58.4		UC211-32		
UCFA211-34	53.975															UC211-34		
UCFA211-35	55.563															UC211-35		

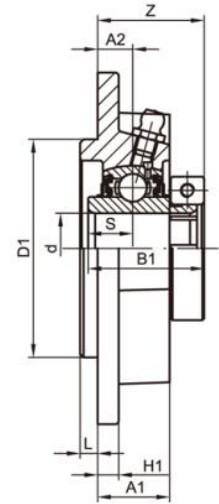
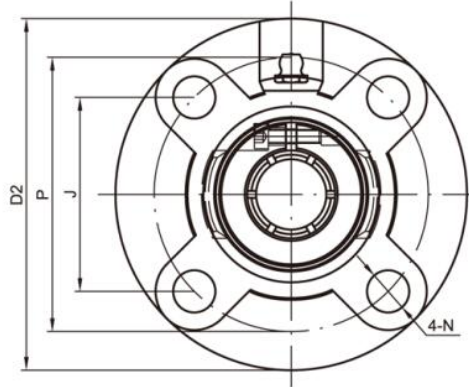
4 Bolts Flange Cartridge Bearing Units UCFC2



Standard duty, Wider inner ring bearing, Setscrew locking, Cast gray iron housing .

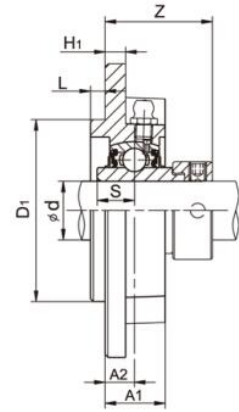
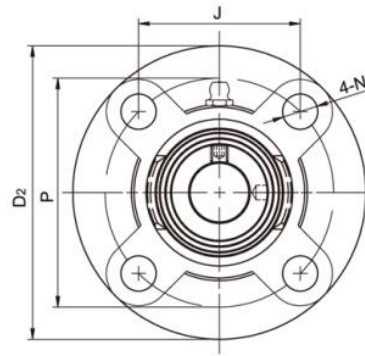


Unit No.	Shaft Dia		Dimensions(mm)												Bolt Size (mm)	Weight (kg)
	d (in)	d (mm)	D2	P	J	A2	N	L	H1	A1	D1	B	S	Z		
UCWFC201		12	90	70	49.5	10	10	4	5	19	55	27.4	11.5	25.9	M8	0.64
UCWFC201-8	1/2		90	70	49.5	10	10	4	5	19	55	27.4	11.5	25.9	M8	0.64
UCWFC202		15	90	70	49.5	10	10	4	5	19	55	27.4	11.5	25.9	M8	0.6
UCWFC202-9	9/16		90	70	49.5	10	10	4	5	19	55	27.4	11.5	25.9	M8	0.6
UCWFC202-10	5/8		90	70	49.5	10	10	4	5	19	55	27.4	11.5	25.9	M8	0.6
UCWFC203		17	90	70	49.5	10	10	4	5	19	55	27.4	11.5	25.9	M8	0.58
UCWFC203-11	11/16		90	70	49.5	10	10	4	5	19	55	27.4	11.5	25.9	M8	0.58
UCFC204		20	100	78	55.1	10	12	5	7	20.5	62	31	12.7	28.3	M10	0.75
UCFC204-12	3/4		100	78	55.1	10	12	5	7	20.5	62	31	12.7	28.3	M10	0.75
UCFC205		25	115	90	63.6	10	12	6	7	21	70	34.1	14.3	29.8	M10	1
UCFC205-14	7/8		115	90	63.6	10	12	6	7	21	70	34.1	14.3	29.8	M10	1
UCFC205-15	15/16		115	90	63.6	10	12	6	7	21	70	34.1	14.3	29.8	M10	1
UCFC205-16	1		115	90	63.6	10	12	6	7	21	70	34.1	14.3	29.8	M10	1
UCFC206		30	125	100	70.7	10	12	8	8	23	80	38.1	15.9	32.2	M10	1.3
UCFC206-17	1-1/16		125	100	70.7	10	12	8	8	23	80	38.1	15.9	32.2	M10	1.3
UCFC206-18	1-1/8		125	100	70.7	10	12	8	8	23	80	38.1	15.9	32.2	M10	1.3
UCFC206-19	1-3/16		125	100	70.7	10	12	8	8	23	80	38.1	15.9	32.2	M10	1.3
UCFC206-20	1-1/4		125	100	70.7	10	12	8	8	23	80	38.1	15.9	32.2	M10	1.3
UCFC207		35	135	110	77.8	11	14	8	9	26	90	42.9	17.5	36.4	M12	1.75
UCFC207-20	1-1/4		135	110	77.8	11	14	8	9	26	90	42.9	17.5	36.4	M12	1.75
UCFC207-21	1-5/16		135	110	77.8	11	14	8	9	26	90	42.9	17.5	36.4	M12	1.75
UCFC207-22	1-3/8		135	110	77.8	11	14	8	9	26	90	42.9	17.5	36.4	M12	1.75
UCFC207-23	1-7/16		135	110	77.8	11	14	8	9	26	90	42.9	17.5	36.4	M12	1.75
UCFC208		40	145	120	84.8	11	14	10	9	26	100	49.2	19	41.2	M12	2
UCFC208-24	1-1/2		145	120	84.8	11	14	10	9	26	100	49.2	19	41.2	M12	2
UCFC208-25	1-9/16		145	120	84.8	11	14	10	9	26	100	49.2	19	41.2	M12	2
UCFC209		45	160	132	93.3	10	16	12	14	26	105	49.2	19	40.2	M14	2.5
UCFC209-26	1-5/8		160	132	93.3	10	16	12	14	26	105	49.2	19	40.2	M14	2.5
UCFC209-27	1-11/16		160	132	93.3	10	16	12	14	26	105	49.2	19	40.2	M14	2.5
UCFC209-28	1-3/4		160	132	93.3	10	16	12	14	26	105	49.2	19	40.2	M14	2.5
UCFC210		50	165	138	97.6	10	16	12	14	28	110	51.6	19	42.6	M14	2.95
UCFC210-30	1-7/8		165	138	97.6	10	16	12	14	28	110	51.6	19	42.6	M14	2.95
UCFC210-31	1-15/16		165	138	97.6	10	16	12	14	28	110	51.6	19	42.6	M14	2.95
UCFC210-32	2		165	138	97.6	10	16	12	14	28	110	51.6	19	42.6	M14	2.95
UCFC211		55	185	150	106.1	13	19	12	15	30	125	55.6	22.2	46.4	M16	4
UCFC211-32	2		185	150	106.1	13	19	12	15	30	125	55.6	22.2	46.4	M16	4
UCFC211-34	2-1/8		185	150	106.1	13	19	12	15	30	125	55.6	22.2	46.4	M16	4
UCFC211-35	2-3/16		185	150	106.1	13	19	12	15	30	125	55.6	22.2	46.4	M16	4
UCFC212		60	195	160	113.1	17	19	12	15	35	135	65.1	25.4	56.7	M16	4.9
UCFC212-36	2-1/4		195	160	113.1	17	19	12	15	35	135	65.1	25.4	56.7	M16	4.9
UCFC212-38	2-3/8		195	160	113.1	17	19	12	15	35	135	65.1	25.4	56.7	M16	4.9
UCFC212-39	2-7/16		195	160	113.1	17	19	12	15	35	135	65.1	25.4	56.7	M16	4.9
UCFC213		65	205	170	120.2	16	19	14	15	36	145	65.1	25.4	55.7	M16	5.35
UCFC213-40	2-1/2		205	170	120.2	16	19	14	15	36	145	65.1	25.4	55.7	M16	5.35
UCFC214		70	215	177	125.1	17	19	14	18	38	150	74.6	30.2	61.4	M16	6.9
UCFC214-44	2-3/4		215	177	125.1	17	19	14	18	38	150	74.6	30.2	61.4	M16	6.9
UCFC215		75	220	184	130.1	18	19	16	18	39	160	77.8	33.3	62.5	M16	7.5
UCFC215-47	2-15/16		220	184	130.1	18	19	16	18	39	160	77.8	33.3	62.5	M16	7.5
UCFC215-48	3		220	184	130.1	18	19	16	18	39	160	77.8	33.3	62.5	M16	7.5
UCFC216		80	240	200	141.4	18	23	16	18	42	170	82.6	33.3	67.3	M20	8.7
UCFC217		85	250	208	147.1	18	23	18	20	45	180	85.7	34.1	69.6	M20	10.3
UCFC217-52	3-1/4		250	208	147.1	18	23	18	20	45	180	85.7	34.1	69.6	M20	10.3
UCFC218		90	265	220	155.5	22	23	18	20	50	190	96	39.7	78.3	M20	13.5
UCFC218-56	3-1/2		265	220	155.5	22	23	18	20	50	190	96	39.7	78.3	M20	13.5



Unit No.	Shaft Dia		Dimensions(mm)											Bolt Size (mm)	Weight (kg)	
	d		D2	P	J	A2	N	L	H1	A1	D1	B1	S			Z
	(in)	(mm)														
UEFC204		20	100	78	55.1	10	12	5	7	20.5	62	33	12.7	30.3	M10	0.75
UEFC204-12	3/4															
UEFC205		25														
UEFC205-14	7/8		115	90	63.6	10	12	6	7	21	70	35.4	14.3	31.1	M10	1.06
UEFC205-15	15/16															
UEFC205-16	1															
UEFC206		30														
UEFC206-17	1-1/16		125	100	70.7	10	12	8	8	23	80	39.8	15.9	33.9	M10	1.54
UEFC206-18	1-1/8															
UEFC206-19	1-3/16															
UEFC206-20	1-1/4															
UEFC207		35														
UEFC207-20	1-1/4		135	110	77.8	11	14	8	9	26	90	43.9	17.5	37.4	M12	1.82
UEFC207-21	1-5/16															
UEFC207-22	1-3/8															
UEFC207-23	1-7/16															
UEFC208		40														
UEFC208-24	1-1/2		145	120	84.8	11	14	10	9	26	100	50.2	19	42.2	M12	2.23
UEFC208-25	1-9/16															
UEFC209		45														
UEFC209-26	1-5/8		160	132	93.3	10	16	12	14	26	105	50.2	19	41.2	M14	2.72
UEFC209-27	1-11/16															
UEFC209-28	1-3/4															
UEFC210		50														
UEFC210-30	1-7/8		165	138	97.6	10	16	12	14	28	110	52.6	19	43.6	M14	3.24
UEFC210-31	1-15/16															
UEFC210-32	2															
UEFC211		55														
UEFC211-32	2		185	150	106.1	13	19	12	15	30	125	56.6	22.2	47.4	M16	4.32
UEFC211-34	2-1/8															
UEFC211-35	2-3/16															
UEFC212		60														
UEFC212-36	2-1/4		195	160	113.1	17	19	12	15	35	135	66.6	25.4	58.2	M16	5.33
UEFC212-38	2-3/8															
UEFC212-39	2-7/16															

Cast DUCTILE iron housing available upon request.



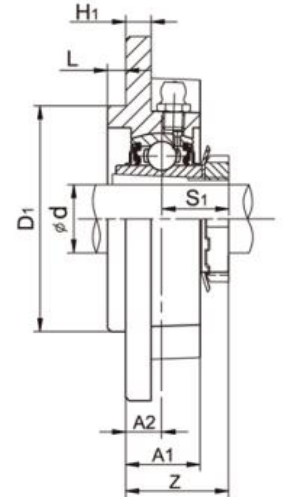
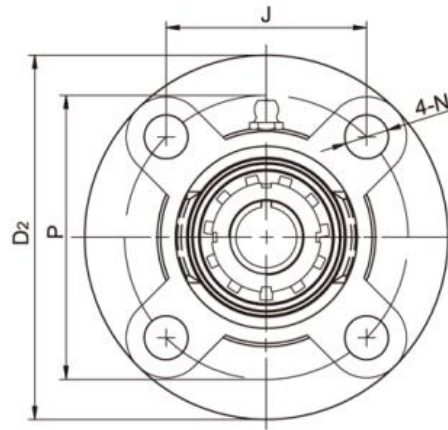
Unit No.	Shaft Dia		Dimensions(mm)											Bolt Size (mm)	Weight (kg)
	d		D2	P	J	A2	N	L	H1	A1	D1	S	Z		
	(in)	(mm)													
NAWFC201		12	90	70	49.5	10	10	4	5	19	55	13.9	33.4	M8	0.6
NAWFC201-8	1/2		90	70	49.5	10	10	4	5	19	55	13.9	33.4	M8	0.6
NAWFC202		15	90	70	49.5	10	10	4	5	19	55	13.9	33.4	M8	0.6
NAWFC202-10	5/8		90	70	49.5	10	10	4	5	19	55	13.9	33.4	M8	0.6
NAWFC203		17	90	70	49.5	10	10	4	5	19	55	13.9	33.4	M8	0.6
NAWFC203-11	11/16		90	70	49.5	10	10	4	5	19	55	13.9	33.4	M8	0.6
NAFC201		12	100	78	55.1	10	12	5	7	20.5	62	17.1	36.5	M10	0.83
NAFC201-8	1/2		100	78	55.1	10	12	5	7	20.5	62	17.1	36.5	M10	0.83
NAFC202		15	100	78	55.1	10	12	5	7	20.5	62	17.1	36.5	M10	0.83
NAFC202-10	5/8		100	78	55.1	10	12	5	7	20.5	62	17.1	36.5	M10	0.83
NAFC203		17	100	78	55.1	10	12	5	7	20.5	62	17.1	36.5	M10	0.83
NAFC203-11	11/16		100	78	55.1	10	12	5	7	20.5	62	17.1	36.5	M10	0.83
NAFC204		20	100	78	55.1	10	12	5	7	20.5	62	17.1	36.5	M10	0.83
NAFC204-12	3/4		100	78	55.1	10	12	5	7	20.5	62	17.1	36.5	M10	0.83
NAFC205		25	115	90	63.6	10	12	6	7	21	70	17.5	36.9	M10	1
NAFC205-14	7/8		115	90	63.6	10	12	6	7	21	70	17.5	36.9	M10	1
NAFC205-15	15/16		115	90	63.6	10	12	6	7	21	70	17.5	36.9	M10	1
NAFC205-16	1		115	90	63.6	10	12	6	7	21	70	17.5	36.9	M10	1
NAFC206		30	125	100	70.7	10	12	8	8	23	80	18.3	40.1	M10	1.5
NAFC206-18	1-1/8		125	100	70.7	10	12	8	8	23	80	18.3	40.1	M10	1.5
NAFC206-19	1-3/16		125	100	70.7	10	12	8	8	23	80	18.3	40.1	M10	1.5
NAFC206-20	1-1/4		125	100	70.7	10	12	8	8	23	80	18.3	40.1	M10	1.5
NAFC207		35	135	110	77.8	11	14	8	9	26	90	18.8	43.3	M12	1.8
NAFC207-20	1-1/4		135	110	77.8	11	14	8	9	26	90	18.8	43.3	M12	1.8
NAFC207-21	1-5/16		135	110	77.8	11	14	8	9	26	90	18.8	43.3	M12	1.8
NAFC207-22	1-3/8		135	110	77.8	11	14	8	9	26	90	18.8	43.3	M12	1.8
NAFC207-23	1-7/16		135	110	77.8	11	14	8	9	26	90	18.8	43.3	M12	1.8
NAFC208		40	145	120	84.8	11	14	10	9	26	100	21.4	45.9	M12	2.2
NAFC208-24	1-1/2		145	120	84.8	11	14	10	9	26	100	21.4	45.9	M12	2.2
NAFC208-25	1-9/16		145	120	84.8	11	14	10	9	26	100	21.4	45.9	M12	2.2
NAFC209		45	160	132	93.3	10	16	12	14	26	105	21.4	44.9	M14	2.8
NAFC209-26	1-5/8		160	132	93.3	10	16	12	14	26	105	21.4	44.9	M14	2.8
NAFC209-27	1-11/16		160	132	93.3	10	16	12	14	26	105	21.4	44.9	M14	2.8
NAFC209-28	1-3/4		160	132	93.3	10	16	12	14	26	105	21.4	44.9	M14	2.8
NAFC210		50	165	138	97.6	10	16	12	14	28	110	24.6	48.1	M14	3.3
NAFC210-30	1-7/8		165	138	97.6	10	16	12	14	28	110	24.6	48.1	M14	3.3
NAFC210-31	1-15/16		165	138	97.6	10	16	12	14	28	110	24.6	48.1	M14	3.3
NAFC211		55	185	150	106.1	13	19	12	15	30	125	27.8	56.6	M16	4.5
NAFC211-32	2		185	150	106.1	13	19	12	15	30	125	27.8	56.6	M16	4.5
NAFC211-34	2-1/8		185	150	106.1	13	19	12	15	30	125	27.8	56.6	M16	4.5
NAFC211-35	2-3/16		185	150	106.1	13	19	12	15	30	125	27.8	56.6	M16	4.5
NAFC212		60	195	160	113.1	17	19	12	15	35	135	31	63.8	M16	5.7
NAFC212-36	2-1/4		195	160	113.1	17	19	12	15	35	135	31	63.8	M16	5.7
NAFC212-38	2-3/8		195	160	113.1	17	19	12	15	35	135	31	63.8	M16	5.7
NAFC212-39	2-7/16		195	160	113.1	17	19	12	15	35	135	31	63.8	M16	5.7
NAFC213		65	205	170	120.2	16	19	14	15	36	145	34.3	67.6	M16	6.5
NAFC213-40	2-1/2		205	170	120.2	16	19	14	15	36	145	34.3	67.6	M16	6.5
NAFC214		70	215	177	125.1	17	19	14	18	38	150	34.3	68.6	M16	7.2
NAFC214-44	2-3/4		215	177	125.1	17	19	14	18	38	150	34.3	68.6	M16	7.2
NAFC215		75	220	184	130.1	18	19	16	18	39	160	37.3	72.8	M16	8
NAFC215-48	3		220	184	130.1	18	19	16	18	39	160	37.3	72.8	M16	8

Cast DUCTILE iron housing available upon request.

4 Bolts Flange Cartridge Bearing Units UKFC2



Standard duty, Tapered bore, Adapter sleeve locking, Cast gray iron housing .



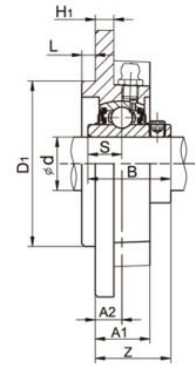
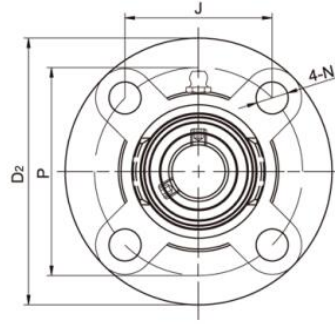
Unit No.	Shaft Dia		Dimensions(mm)										Bolt Size (mm)	Weight (kg)	
	d		D2	P	J	A2	N	L	H1	A1	D1	S1			Z
	(in)	(mm)													
UKFC205+H2305		20	115	90	63.6	10	12	6	7	21	70	18.5	28.5	M10	0.98
UKFC205+HE2305	3/4		115	90	63.6	10	12	6	7	21	70	18.5	28.5	M10	0.98
UKFC206+H2306		25	125	100	70.7	10	12	8	8	23	80	20.5	30.5	M10	1.2
UKFC206+HS2306	7/8		125	100	70.7	10	12	8	8	23	80	20.5	30.5	M10	1.2
UKFC206+HA2306	15/16		125	100	70.7	10	12	8	8	23	80	20.5	30.5	M10	1.2
UKFC206+HE2306	1		125	100	70.7	10	12	8	8	23	80	20.5	30.5	M10	1.2
UKFC207+H2307		30	135	110	77.8	11	14	8	9	26	90	22.5	33.5	M12	1.7
UKFC207+HS2307	1-1/8		135	110	77.8	11	14	8	9	26	90	22.5	33.5	M12	1.7
UKFC207+HA2307	1-3/16		135	110	77.8	11	14	8	9	26	90	22.5	33.5	M12	1.7
UKFC208+H2308		35	145	120	84.8	11	14	10	9	26	100	24.5	35.5	M12	2
UKFC208+HE2308	1-1/4		145	120	84.8	11	14	10	9	26	100	24.5	35.5	M12	2
UKFC208+HS2308	1-3/8		145	120	84.8	11	14	10	9	26	100	24.5	35.5	M12	2
UKFC209+H2309		40	160	132	93.3	10	16	12	10	26	105	26	36	M14	2.7
UKFC209+HA2309	1-7/16		160	132	93.3	10	16	12	10	26	105	26	36	M14	2.7
UKFC209+HE2309	1-1/2		160	132	93.3	10	16	12	10	26	105	26	36	M14	2.7
UKFC210+H2310		45	165	138	97.6	10	16	12	14	28	110	27.5	37.5	M14	3
UKFC210+HS2310	1-5/8		165	138	97.6	10	16	12	14	28	110	27.5	37.5	M14	3
UKFC210+HA2310	1-11/16		165	138	97.6	10	16	12	14	28	110	27.5	37.5	M14	3
UKFC210+HE2310	1-3/4		165	138	97.6	10	16	12	14	28	110	27.5	37.5	M14	3
UKFC211+H2311		50	185	150	106.1	13	19	12	15	30	125	28.5	41.5	M16	4.2
UKFC211+HS2311	1-7/8		185	150	106.1	13	19	12	15	30	125	28.5	41.5	M16	4.2
UKFC211+HA2311	1-15/16		185	150	106.1	13	19	12	15	30	125	28.5	41.5	M16	4.2
UKFC211+HE2311	2		185	150	106.1	13	19	12	15	30	125	28.5	41.5	M16	4.2
UKFC212+H2312		55	195	160	113.1	17	19	12	15	35	135	31	48	M16	4.9
UKFC212+HS2312	2-1/8		195	160	113.1	17	19	12	15	35	135	31	48	M16	4.9
UKFC213+H2313		60	205	170	120.2	16	19	14	15	36	145	32	48	M16	5.6
UKFC213+HA2313	2-3/16		205	170	120.2	16	19	14	15	36	145	32	48	M16	5.6
UKFC213+HE2313	2-1/4		205	170	120.2	16	19	14	15	36	145	32	48	M16	5.6
UKFC213+HS2313	2-3/8		205	170	120.2	16	19	14	15	36	145	32	48	M16	5.6
UKFC215+H2315		65	220	184	130.1	18	19	16	17	39	160	35.5	53.5	M16	7.5
UKFC215+HA2315	2-7/16		220	184	130.1	18	19	16	17	39	160	35.5	53.5	M16	7.5
UKFC215+HE2315	2-1/2		220	184	130.1	18	19	16	17	39	160	35.5	53.5	M16	7.5
UKFC216+H2316		70	240	200	141.4	18	23	16	18	42	170	39	57	M20	8.9
UKFC216+HA2316	2-11/16		240	200	141.4	18	23	16	18	42	170	39	57	M20	8.9
UKFC216+HE2316	2-3/4		240	200	141.4	18	23	16	18	42	170	39	57	M20	8.9
UKFC217+H2317		75	250	208	147.1	18	23	18	20	45	180	40	58	M20	10.4
UKFC217+HA2317	2-15/16		250	208	147.1	18	23	18	20	45	180	40	58	M20	10.4
UKFC217+HE2317	3		250	208	147.1	18	23	18	20	45	180	40	58	M20	10.4
UKFC218+H2318		80	265	220	155.5	22	23	18	20	50	190	42	64	M20	13.3

Cast DUCTILE iron housing available upon request.

4 Bolts Flange Cartridge Bearing Units UCFCX



Medium duty, Wider inner ring bearing, Setscrew locking, Cast gray iron housing .

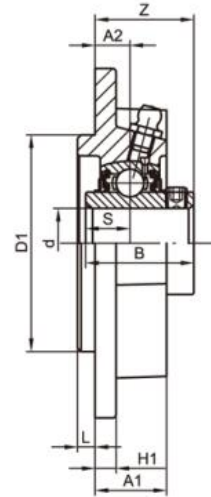
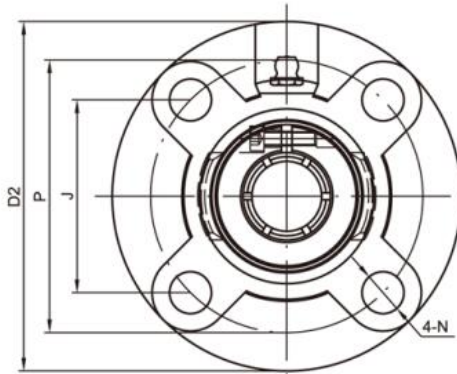


Unit No.	Shaft Dia		Dimensions(mm)												Bolt Size		Weight (kg)
	d		D2	P	J	A2	N	L	H1	A1	D1	B	S	Z	Bolt Size		
	(in)	(mm)													(mm)	(in)	
UCFCX05		25	111	92	65	10	9.5	6	9.5	24	76	38.1	15.9	32.2	M8	5/16	1.2
UCFCX05-13	13/16		111	92	65	10	9.5	6	9.5	24	76	38.1	15.9	32.2	M8	5/16	1.2
UCFCX05-14	7/8		111	92	65	10	9.5	6	9.5	24	76	38.1	15.9	32.2	M8	5/16	1.2
UCFCX05-15	15/16		111	92	65	10	9.5	6	9.5	24	76	38.1	15.9	32.2	M8	5/16	1.2
UCFCX05-16	1		111	92	65	10	9.5	6	9.5	24	76	38.1	15.9	32.2	M8	5/16	1.2
UCFCX06		30	127	105	74.2	8	12	9.5	9.5	22.5	85	42.9	17.5	33.4	M10	3/8	1.5
UCFCX06-17	1-1/16		127	105	74.2	8	12	9.5	9.5	22.5	85	42.9	17.5	33.4	M10	3/8	1.5
UCFCX06-18	1-1/8		127	105	74.2	8	12	9.5	9.5	22.5	85	42.9	17.5	33.4	M10	3/8	1.5
UCFCX06-19	1-3/16		127	105	74.2	8	12	9.5	9.5	22.5	85	42.9	17.5	33.4	M10	3/8	1.5
UCFCX06-20	1-1/4		127	105	74.2	8	12	9.5	9.5	22.5	85	42.9	17.5	33.4	M10	3/8	1.5
UCFCX07		35	133	111	78.5	9	12	11	11	26	92	49.2	19	39.2	M10	3/8	1.9
UCFCX07-21	1-5/16		133	111	78.5	9	12	11	11	26	92	49.2	19	39.2	M10	3/8	1.9
UCFCX07-22	1-3/8		133	111	78.5	9	12	11	11	26	92	49.2	19	39.2	M10	3/8	1.9
UCFCX07-23	1-7/16		133	111	78.5	9	12	11	11	26	92	49.2	19	39.2	M10	3/8	1.9
UCFCX08		40	133	111	78.5	9	12	11	11	26	92	49.2	19	39.2	M10	3/8	2
UCFCX08-24	1-1/2		133	111	78.5	9	12	11	11	26	92	49.2	19	39.2	M10	3/8	2
UCFCX08-25	1-9/16		133	111	78.5	9	12	11	11	26	92	49.2	19	39.2	M10	3/8	2
UCFCX09		45	155	130	91.9	8	14	12	11	25	108	51.6	19	40.6	M12	7/16	2.6
UCFCX09-26	1-5/8		155	130	91.9	8	14	12	11	25	108	51.6	19	40.6	M12	7/16	2.6
UCFCX09-27	1-11/16		155	130	91.9	8	14	12	11	25	108	51.6	19	40.6	M12	7/16	2.6
UCFCX09-28	1-3/4		155	130	91.9	8	14	12	11	25	108	51.6	19	40.6	M12	7/16	2.6
UCFCX09-29	1-13/16		155	130	91.9	8	14	12	11	25	108	51.6	19	40.6	M12	7/16	2.6
UCFCX10		50	162	136	96.2	7	14	16	11	25	118	55.6	22.2	40.4	M12	7/16	3.2
UCFCX10-30	1-7/8		162	136	96.2	7	14	16	11	25	118	55.6	22.2	40.4	M12	7/16	3.2
UCFCX10-31	1-15/16		162	136	96.2	7	14	16	11	25	118	55.6	22.2	40.4	M12	7/16	3.2
UCFCX10-32	2		162	136	96.2	7	14	16	11	25	118	55.6	22.2	40.4	M12	7/16	3.2
UCFCX11		55	180	152	107.5	4	16	22	13	26	127	65.1	25.4	43.7	M14	1/2	4.3
UCFCX11-33	2-1/16		180	152	107.5	4	16	22	13	26	127	65.1	25.4	43.7	M14	1/2	4.3
UCFCX11-34	2-1/8		180	152	107.5	4	16	22	13	26	127	65.1	25.4	43.7	M14	1/2	4.3
UCFCX11-35	2-3/16		180	152	107.5	4	16	22	13	26	127	65.1	25.4	43.7	M14	1/2	4.3
UCFCX11-36	2-1/4		180	152	107.5	4	16	22	13	26	127	65.1	25.4	43.7	M14	1/2	4.3
UCFCX11-37	2-5/16		180	152	107.5	4	16	22	13	26	127	65.1	25.4	43.7	M14	1/2	4.3
UCFCX12		60	194	165	116.7	11	16	20	14	33	140	65.1	25.4	50.7	M14	1/2	5.3
UCFCX12-38	2-3/8		194	165	116.7	11	16	20	14	33	140	65.1	25.4	50.7	M14	1/2	5.3
UCFCX12-39	37453		194	165	116.7	11	16	20	14	33	140	65.1	25.4	50.7	M14	1/2	5.3
UCFCX13		65	194	165	116.7	11	16	20	14	33	140	74.6	30.2	55.4	M14	1/2	5.7
UCFCX13-40	2-1/2		194	165	116.7	11	16	20	14	33	140	74.6	30.2	55.4	M14	1/2	5.7
UCFCX13-41	37515		194	165	116.7	11	16	20	14	33	140	74.6	30.2	55.4	M14	1/2	5.7
UCFCX14		70	222	190	134.3	14	19	20	14	36	164	77.8	33.3	58.5	M16	5/8	7.3
UCFCX14-42	2-5/8		222	190	134.3	14	19	20	14	36	164	77.8	33.3	58.5	M16	5/8	7.3
UCFCX14-43	2-1/16		222	190	134.3	14	19	20	14	36	164	77.8	33.3	58.5	M16	5/8	7.3
UCFCX14-44	2-7/16		222	190	134.3	14	19	20	14	36	164	77.8	33.3	58.5	M16	5/8	7.3
UCFCX15		75	222	190	134.3	12	19	22	16	35	164	82.6	33.3	61.3	M16	5/8	8
UCFCX15-45	2-13/16		222	190	134.3	12	19	22	16	35	164	82.6	33.3	61.3	M16	5/8	8
UCFCX15-46	2-7/8		222	190	134.3	12	19	22	16	35	164	82.6	33.3	61.3	M16	5/8	8
UCFCX15-47	2-15/16		222	190	134.3	12	19	22	16	35	164	82.6	33.3	61.3	M16	5/8	8
UCFCX15-48	3		222	190	134.3	12	19	22	16	35	164	82.6	33.3	61.3	M16	5/8	8
UCFCX16		80	260	219	154.8	10	23	25	19	36	186	85.7	34.1	61.6	M20	5/8	11.3
UCFCX16-49	3-1/16		260	219	154.8	10	23	25	19	36	186	85.7	34.1	61.6	M20	5/8	11.3
UCFCX16-50	3-1/8		260	219	154.8	10	23	25	19	36	186	85.7	34.1	61.6	M20	5/8	11.3
UCFCX16-51	3-3/16		260	219	154.8	10	23	25	19	36	186	85.7	34.1	61.6	M20	5/8	11.3
UCFCX16-52	3-1/4		260	219	154.8	10	23	25	19	36	186	85.7	34.1	61.6	M20	5/8	11.3
UCFCX17		85	260	219	154.8	10	23	25	19	36	186	96	39.7	66.3	M20	3/4	12.9
UCFCX17-53	3-5/16		260	219	154.8	10	23	25	19	36	186	96	39.7	66.3	M20	3/4	12.9
UCFCX17-55	3-7/16		260	219	154.8	10	23	25	19	36	186	96	39.7	66.3	M20	3/4	12.9

4 Bolts Flange Cartridge Bearing Units UCFCS2



Standard duty, Wider inner ring bearing, Inch-based housing, Setscrew locking, Cast gray iron housing



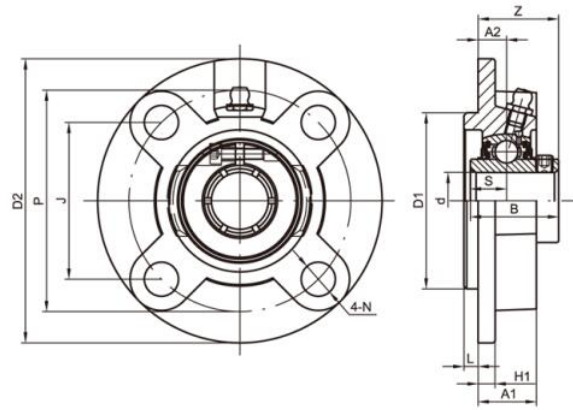
Unit No.	Shaft Dia		Dimensions(mm)											Weight (kg)	
	d		D2	P	J	A2	N	L	H1	A1	D1	S	B		Z
	(in)	(mm)													
UCFCS206		30	111	92.08	65.11	9.9	12	6.1	9.4	23.9	76.2	15.9	38.1	32.1	1.26
UCFCS206-17	1-1/16														
UCFCS206-18	1-1/8														
UCFCS206-19	1-3/16														
UCFCS206-20	1-1/4														
UCFCS207		35	127	104.78	74.09	7.9	12	9.4	9.4	22.6	85.725	17.5	42.9	33.3	1.84
UCFCS207-20	1-1/4														
UCFCS207-21	1-5/16														
UCFCS207-22	1-3/8														
UCFCS207-23	1-7/16														
UCFCS208		40	133.1	111.1	78.56	8.9	12	10.9	10.9	25.9	92.075	19	49.2	39.1	2.02
UCFCS208-24	1-1/2														
UCFCS208-25	1-9/16														
UCFCS209		45	155.5	130.18	92.05	7.9	14	10.9	10.9	25.4	107.95	19	49.2	38.1	2.78
UCFCS209-26	1-5/8														
UCFCS209-27	1-11/16														
UCFCS209-28	1-3/4														
UCFCS210		50													
UCFCS210-30	1-7/8														
UCFCS210-31	1-15/16														
UCFCS210-32	2														
UCFCS211		55	162	136.5	96.52	7.1	14	16	10.9	25.9	114.3	22.2	55.6	40.5	3.29
UCFCS211-32	2														
UCFCS211-34	2-1/8														
UCFCS211-35	2-3/16														
UCFCS212		60	180.8	152.4	107.76	4	14	22.1	13	25.9	127	25.4	65.1	43.7	4.61
UCFCS212-36	2-1/4														
UCFCS212-37	2-5/16														
UCFCS212-38	2-3/8														
UCFCS212-39	2-7/16														
UCFCS213		65	193.8	165.1	116.74	10.9	14	20	14	33	139.7	25.4	65.1	50.6	5.91
UCFCS213-39	2-7/16														
UCFCS213-40	2-1/2														
UCFCS214		70	193.7	165.1	116.74	10.9	14	20	14	33.3	139.7	25.4	74.6	55.3	7.98
UCFCS214-43	2-11/16														
UCFCS214-44	2-3/4														
UCFCS215		75	222.2	190.5	134.7	14	17.5	20	16	36	161.925	25.4	77.8	58.5	8.34
UCFCS215-47	2-15/16														
UCFCS215-48	3														

Cast DUCTILE iron housing available upon request.

4 Bolts Flange Cartridge Bearing Units UCFCSX



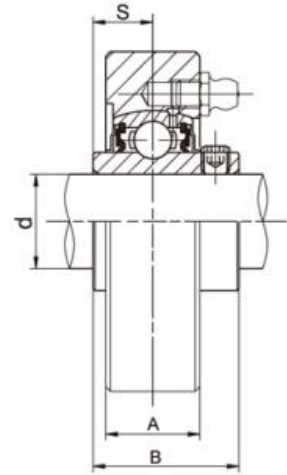
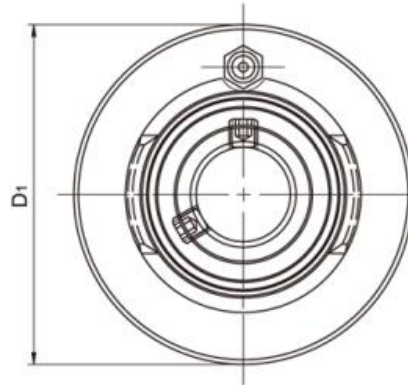
Medium duty, Wider inner ring bearing, Inch-based housing, Setscrew locking, Cast gray iron housing



Unit No.	Shaft Dia		Dimensions(mm)											Weight (kg)	
	d		D2	P	J	A2	N	L	H1	A1	D1	S	B		Z
	(in)	(mm)													
UCFCSX05		25	111	92.08	65.11	9.9	12	6.1	9.4	23.9	76.2	15.9	38.1	32.1	1.34
UCFCSX05-13	13/16														
UCFCSX05-14	7/8														
UCFCSX05-15	15/16														
UCFCSX05-16	1														
UCFCSX06		30	127	104.78	74.09	7.9	12	9.4	9.4	22.6	85.725	17.5	42.9	33.3	2.06
UCFCSX06-17	1-1/16														
UCFCSX06-18	1-1/8														
UCFCSX06-19	1-3/16														
UCFCSX06-20	1-1/4														
UCFCSX07		35	133.1	111.1	78.56	8.9	12	10.9	10.9	25.9	92.075	19	49.2	39.1	2.21
UCFCSX07-21	1-5/16														
UCFCSX07-22	1-3/8														
UCFCSX07-23	1-7/16														
UCFCSX08		40	155.5	130.18	92.05	7.9	14	10.9	10.9	25.4	107.95	19	49.2	38.1	3.03
UCFCSX08-24	1-1/2														
UCFCSX08-25	1-9/16														
UCFCSX09		45	155.5	130.18	92.05	7.9	14	11.9	10.9	24.9	107.95	19	51.6	40.5	2.98
UCFCSX09-26	1-5/8														
UCFCSX09-27	1-11/16														
UCFCSX09-28	1-3/4														
UCFCSX10		50	162	136.5	96.52	7.1	14	16	10.9	25.9	114.3	22.2	55.6	40.5	3.57
UCFCSX10-30	1-7/8														
UCFCSX10-31	1-15/16														
UCFCSX10-32	2														
UCFCSX11		55	180.8	152.4	107.76	4	14	22.1	13	25.9	127	25.4	65.1	43.7	5
UCFCSX11-33	2-1/16														
UCFCSX11-34	2-1/8														
UCFCSX11-35	2-3/16														
UCFCSX11-36	2-1/4														
UCFCSX12		60	193.8	165.1	116.74	10.9	14	20	14	33	139.7	25.4	65.1	50.6	6.32
UCFCSX12-38	2-3/8														
UCFCSX12-39	37453														
UCFCSX13		65	193.7	165.1	116.74	10.9	14	20	14	33.3	139.7	30.2	74.6	55.3	8.25
UCFCSX13-40	2-1/2														
UCFCSX13-41	37515														
UCFCSX14		70													
UCFCSX14-42	2-5/8														
UCFCSX14-43	2-1/16														
UCFCSX14-44	2-7/16														
UCFCSX15		75	222.2	190.5	134.7	11.9	17.5	22.1	16	35	161.925	33.3	82.6	61.2	8.76
UCFCSX15-45	2-13/16														
UCFCSX15-46	2-7/8														
UCFCSX15-47	2-15/16														
UCFCSX15-48	3														
UCFCSX17		85	260	218.95	154.82	9.9	20.6	24.9	19	36	187.325	39.7	96	66.2	13.41
UCFCSX17-53	3-5/16														
UCFCSX17-55	3-7/16														
UCFCSX20		100	276	238	168.29	22	23	28	22	66	206.375	79.2	117.5	90.3	18.5
UCFCSX20-63	3-15/16														
UCFCSX20-64	4														

Cast DUCTILE iron housing available upon request.

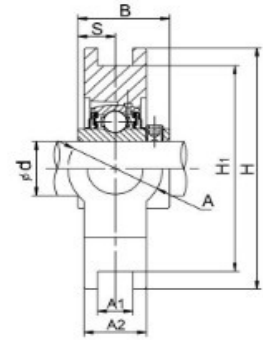
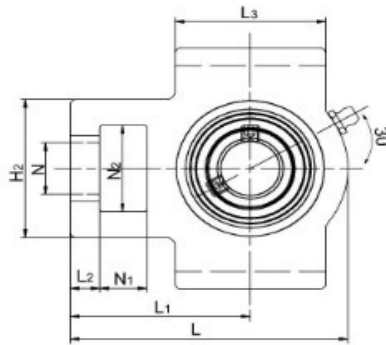
Standard duty,Wider inner ring bearing,Setscrew locking,Cast gray iron housing



Unit No.	Dimensions(mm)					Bearing	Housing	Weight (kg)
	d	D1	A	B	S			
UCC201	12	67	20	27.4	11.5	UC201	C203	0.56
UCC201-8	12.7					UC201-8		0.56
UCC202	15					UC202		0.52
UCC202-9	14.288					UC202-9		0.52
UCC202-10	15.875					UC202-10		0.52
UCC203	17					UC203		0.51
UCC203-11	17.463	UC203-11	0.51					
UCC204	20	72	20	31	12.7	UC204	C204	0.49
UCC204-12	19.05					UC204-12		
UCC205	25	80	22	34.1	14.3	UC205	C205	0.65
UCC205-14	22.225					UC205-14		
UCC205-15	23.813					UC205-15		
UCC205-16	25.4					UC205-16		
UCC206	30	85	27	38.1	15.9	UC206	C206	0.82
UCC206-17	26.988					UC206-17		
UCC206-18	28.575					UC206-18		
UCC206-19	30.163					UC206-19		
UCC206-20	31.75					UC206-20		
UCC207	35	90	28	42.9	17.5	UC207	C207	0.93
UCC207-20	31.75					UC207-20		
UCC207-21	33.338					UC207-21		
UCC207-22	34.925					UC207-22		
UCC207-23	36.513					UC207-23		
UCC208	40	100	30	49.2	19	UC208	C208	1.25
UCC208-24	38.1					UC208-24		
UCC208-25	39.688					UC208-25		
UCC209	45	110	31	49.2	19	UC209	C209	1.53
UCC209-26	41.275					UC209-26		
UCC209-27	42.863					UC209-27		
UCC209-28	44.45					UC209-28		
UCC210	50	120	33	51.6	19	UC210	C210	1.93
UCC210-30	47.625					UC210-30		
UCC210-31	49.213					UC210-31		
UCC210-32	50.8					UC210-32		
UCC211	55	125	35	55.6	22.2	UC211	C211	2.14
UCC211-32	50.8					UC211-32		
UCC211-34	53.975					UC211-34		
UCC211-35	55.563					UC211-35		
UCC212	60	130	38	65.1	25.4	UC212	C212	2.52
UCC212-36	57.15					UC212-36		
UCC212-38	60.325					UC212-38		
UCC212-39	61.913					UC212-39		
UCC213	65	140	40	65.1	25.4	UC213	C213	2.97
UCC213-40	63.5					UC213-40		
UCC213-41	65.088					UC213-41		

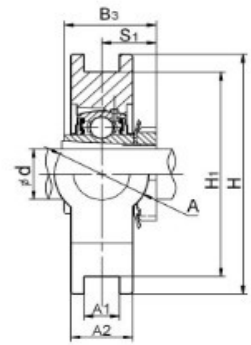
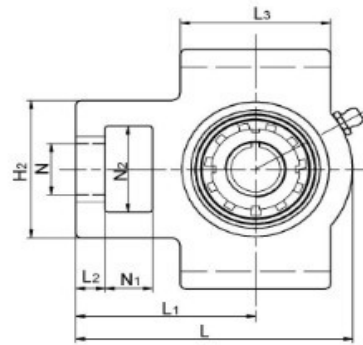
Cast DUCTILE iron housing available upon request.

UCT200 (Normal-Duty)



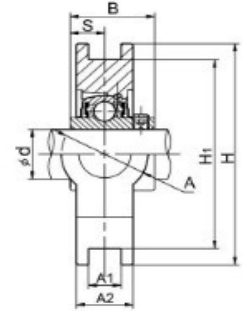
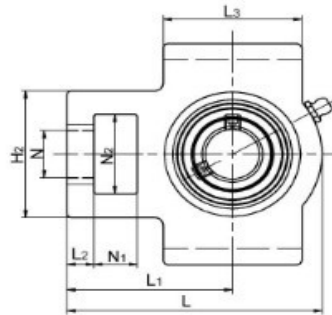
Unit No.	Dimensions(mm)																	Bearing	Housing	Weight (kg)
	d	N1	L2	H2	N2	N	L3	A1	H1	H	L	A	A2	L1	B	S	A3			
UCT201	12																	UC201		0.8
UCT201-8	12.7																	UC201-8		0.8
UCT202	15																	UC202		0.79
UCT202-10	15.875	16	10	51	32	19	51	12	76	89	94	32	21	61	31	12.7		UC202-10	T204	0.79
UCT203	17																	UC203		0.78
UCT203-11	17.463																	UC203-11		0.78
UCT204	20																46.4	UC204		0.72
UCT204-12	19.05																46.4	UC204-12		0.72
UCT205	25	16	10	51	32	19	51	12	76	89	97	32	24	62	34.1	14.3	48	UC205	T205	0.8
UCT205-16	25.4																	UC205-16		
UCT206	30	16	10	56	37	22	57	12	89	102	113	37	28	70	38.1	15.9	23	UC206	T206	1.26
UCT206-18	28.575																	UC206-18		
UCT207	35	16	13	64	37	22	64	12	89	102	129	37	30	78	42.9	17.5	59	UC207	T207	1.68
UCT207-20	31.75																	UC207-20		
UCT208	40	19	16	83	49	29	83	16	102	114	144	49	33	88	49.2	19	68.2	UC208	T208	2.28
UCT208-24	38.1																	UC208-24		
UCT208-25	39.688																	UC208-25		
UCT209	45	19	16	83	49	29	83	16	102	117	144	49	35	87	49.2	19	70	UC209	T209	2.52
UCT209-26	41.275																	UC209-26		
UCT210	50	19	16	83	49	29	86	16	102	117	149	49	37	90	51.6	19	76	UC210	T210	2.75
UCT210-32	50.8																	UC210-32		
UCT211	55	25	19	102	64	35	95	22	130	146	171	64	38	106	55.6	22.2	76	UC211	T211	4.1
UCT211-32	50.8																	UC211-32		
UCT212	60	32	19	102	64	35	102	22	130	146	194	64	42	119	65.1	25.4	89	UC212	T212	4.9
UCT212-36	57.15																	UC212-36		
UCT213	65	32	21	111	70	41	121	26	151	167	224	70	44	137	65.1	25.4	89	UC213	T213	6.7
UCT213-40	63.5																	UC213-40		
UCT214	70	32	21	111	70	41	121	26	151	167	224	70	46	137	74.6	30.2	98	UC214	T214	6.9
UCT214-44	69.85																	UC214-44		
UCT215	75	32	21	111	70	41	121	26	151	167	232	70	48	140	77.8	33.3	97	UC215	T215	7.4
UCT215-48	76.2																	UC215-48		
UCT216	80	32	21	111	70	41	121	26	165	184	235	70	51	140	82.6	33.3	110	UC216	T216	8.1
UCT216-50	79.375																	UC216-50		
UCT217	85	38	29	124	73	48	157	30	173	198	260	73	54	162	85.7	34.1	114.2	UC217	T217	11
UCT217-52	82.55																	UC217-52		
UCT218	90	40	40	130	80	48	140	30	190	215	275	80	55	170	96	39.7		UC218	T218	12.2
UCT218-56	88.9																	UC218-56		

UKT200 + H (Normal-Duty)



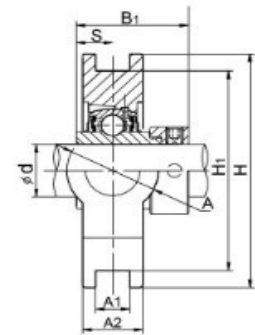
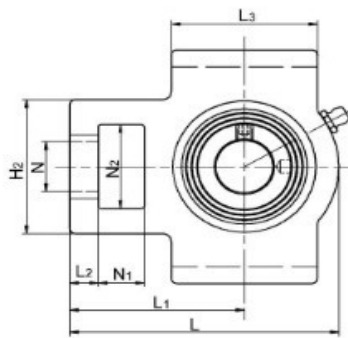
Unit No.	Dimensions(mm)																Bearing	Housing	Weight (kg)
	d	N1	L2	H2	N2	N	L3	A1	H1	H	L	A	A2	L1	B3	S1			
UKT205+H2305	20	16	10	51	32	19	51	12	76	89	97	32	24	62	35	18.5	UK205	T205	0.8
UKT205+HE2305	19.05																		
UKT206+H2306	25	16	10	56	37	22	57	12	89	102	113	37	28	70	38	20.5	UK206	T206	1.26
UKT206+HS2306	22.225																		
UKT206+HE2306	25.4																		
UKT207+H2307	30	16	13	64	37	22	64	12	89	102	129	37	30	78	43	22.5	UK207	T207	1.68
UKT207+HS2307	28.575																		
UKT208+H2308	35	19	16	83	49	29	83	16	102	114	144	49	33	88	46	24.5	UK208	T208	2.28
UKT208+HE2308	31.75																		
UKT208+HS2308	34.925																		
UKT209+H2309	40	19	16	83	49	29	83	16	102	117	144	49	35	87	50	26	UK209	T209	2.52
UKT209+HA2309	36.513																		
UKT209+HE2309	38.1																		
UKT209+HS2309	41.275																		
UKT210+H2310	50	19	16	83	49	29	86	16	102	117	149	49	37	90	55	27.5	UK210	T210	2.75
UKT210+HS2310	41.275																		
UKT210+HA2310	42.863																		
UKT210+HE2310	44.45																		
UKT211+H2311	55	25	19	102	64	35	95	22	130	146	171	64	38	106	59	28.5	UK211	T211	4.1
UKT211+HS2311	47.625																		
UKT211+HA2311	49.213																		
UKT211+HE2311	50.8																		
UKT212+H2312	55	32	19	102	64	35	102	22	130	146	194	64	42	119	62	31	UK212	T212	4.9
UKT212+HS2312	53.975																		
UKT213+H2313	60	32	21	111	70	41	121	26	151	167	224	70	44	137	65	32	UK213	T213	6.7
UKT213+HA2313	55.563																		
UKT213+HE2313	57.15																		
UKT213+HS2313	60.325																		
UKT215+H2315	65	32	21	111	70	41	121	26	151	167	232	70	48	140	73	35.5	UK215	T215	7.4
UKT215+HA2315	61.913																		
UKT215+HE2315	63.5																		
UKT216+H2316	70	32	21	111	70	41	121	26	165	184	235	70	51	140	78	39	UK216	T216	8.1
UKT216+HA2316	68.263																		
UKT216+HE2316	69.85																		
UKT217+H2317	75	38	29	124	73	48	157	30	173	198	260	73	54	162	82	40	UK217	T217	11
UKT217+HA2317	74.613																		
UKT217+HE2317	76.2																		

UCTX (Medium-Duty)



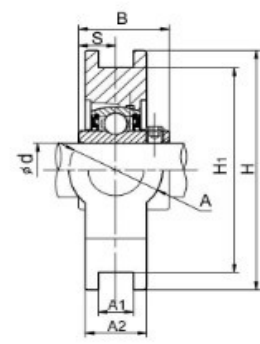
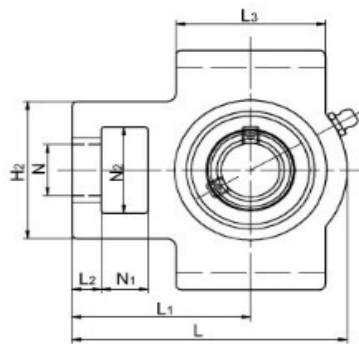
Unit No.	d	Dimensions(mm)																Bearing	Housing	Weight (kg)
		N1	L2	H2	N2	N	L3	A1	H1	H	L	A	A2	L1	B	S	A3			
UCTX05	25																	UC05		
UCTX05-13	20.638																	UC05-13		
UCTX05-14	22.225	16	12	56	37	22	57	12	89	102	113	37	28	70	38.1	15.9		UC05-14	TX05	1.4
UCTX05-15	23.813																	UC05-15		
UCTX05-16	25.4																	UC05-16		
UCTX06	30																	UC06		
UCTX06-17	26.988																	UC06-17		
UCTX06-18	28.575	16	15	64	37	22	64	12	89	102	129	37	30	78	42.9	17.5		UC06-18	TX06	1.8
UCTX06-19	30.163																	UC06-19		
UCTX06-20	31.75																	UC06-20		
UCTX07	35																	UC07		
UCTX07-22	34.925	19	17	83	49	29	83	16	102	114	144	49	36	88	49.2	19		UC07-22	TX07	2.6
UCTX08	40																	UC08		
UCTX08-24	38.1	19	17	83	49	29	83	16	102	117	144	49	36	87	49.2	19		UC08-24	TX08	2.6
UCTX08-25	39.688																	UC08-25		
UCTX09	45																	UC09		
UCTX09-26	41.275																	UC09-26		
UCTX09-27	42.863	19	18	83	49	29	86	16	102	117	151	49	38	92	51.6	19		UC09-27	TX09	2.8
UCTX09-28	44.45																	UC09-28		
UCTX09-29	46.038																	UC09-29		
UCTX10	50																	UC10		
UCTX10-30	47.625	25	21	102	64	35	95	22	130	146	171	64	42	106	55.6	22.2		UC10-30	TX10	4.3
UCTX10-32	50.8																	UC10-32		
UCTX11	55																	UC11		
UCTX11-36	57.15	32	21	102	64	35	102	22	130	146	194	64	44	119	65.1	25.4		UC11-36	TX11	5.2
UCTX12	60																	UC12		
UCTX12-38	60.325	32	23	111	70	41	121	26	151	167	224	70	48	137	65	25.4		UC12-38	TX12	7.6
UCTX13	65																	UC13		
UCTX13-40	63.5	32	23	111	70	41	121	26	151	167	224	70	48	137	74.6	30.2		UC13-40	TX13	7.6
UCTX14	70																	UC14		
UCTX14-44	69.85	32	23	111	70	41	121	26	151	167	232	70	48	140	77.8	33.3		UC14-44	TX14	7.7
UCTX15	75																	UC15		
UCTX15-48	76.2	32	23	111	70	41	121	28	165	184	235	70	48	140	82.6	33.3		UC15-48	TX15	7.55
UCTX16	80																	UC16		
UCTX16-52	82.55	38	30	124	73	48	157	28	173	198	260	73	54	162	85.7	34.1		UC16-52	TX16	11
UCTX17	85																	UC17		
UCTX17-55	87.313	38	30	124	73	48	157	28	173	198	260	73	54	162	96	39.7		UC17-55	TX17	12

NAT200 (Normal-Duty)



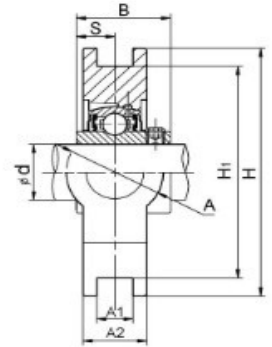
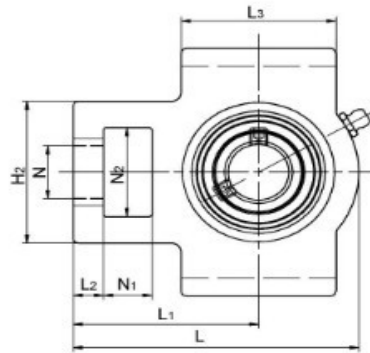
Unit No.	Dimensions(mm)																Bearing	Housing	Weight (kg)
	d	N1	L2	H2	N2	N	L3	A1	H1	H	L	A	A2	L1	B1	S			
NAT201	12																NA201	T204	0.87
NAT201-8	12.7																NA201-8		
NAT202	15																NA202		
NAT202-10	15.875	16	10	51	32	19	51	12	76	89	94	32	21	61	43.5	17	NA202-10		
NAT203	17																NA203		
NAT203-11	17.463																NA203-11		
NAT204	20																NA204		
NAT204-12	19.05																NA204-12		
NAT205	25	16	10	51	32	19	51	12	76	89	97	32	24	62	44.3	17.4	NA205	T205	0.92
NAT205-16	25.4																NA205-16		
NAT206	30	16	10	56	37	22	57	12	89	102	113	37	28	70	48.3	18.2	NA206	T206	1.39
NAT206-18	28.575																NA206-18		
NAT207	35	16	13	64	37	22	64	12	89	102	129	37	30	78	51.1	18.8	NA207	T207	1.83
NAT207-20	31.75																NA207-20		
NAT208	40	19	16	83	49	29	83	16	102	114	144	49	33	88	56.3	21.4	NA208	T208	2.64
NAT208-24	38.1																NA208-24		
NAT208-25	39.688																NA208-25		
NAT209	45	19	16	83	49	29	83	16	102	117	144	49	35	87	56.3	21.4	NA209	T209	2.67
NAT209-26	41.275																NA209-26		
NAT210	50	19	16	83	49	29	86	16	102	117	149	49	37	90	62.7	24.6	NA210	T210	2.81
NAT210-32	50.8																NA210-32		
NAT211	55	25	19	102	64	35	95	22	130	146	171	64	38	106	71.3	27.7	NA211	T211	4.27
NAT211-32	50.8																NA211-32		
NAT212	60	32	19	102	64	35	102	22	130	146	194	64	42	119	77.7	30.9	NA212	T212	5.26
NAT212-36	57.15																NA212-36		
NAT213	65	32	21	111	70	41	121	26	151	167	224	70	44	137	85.7	34.1	NA213	T213	7.55
NAT213-40	63.5																NA213-40		
NAT214	70	32	21	111	70	41	121	26	151	167	224	70	46	137	85.7	34.1	NA214	T214	7.62
NAT214-44	69.85																NA214-44		
NAT215	75	32	21	111	70	41	121	26	151	167	232	70	48	140	92.1	37.3	NA215	T215	8.13
NAT215-48	76.2																NA215-48		
NAT216	80	32	21	111	70	41	121	26	165	184	235	70	51	140	95.2	37.3	NA216	T216	8.1
NAT216-50	79.375																NA216-50		

UCST200 (Normal-Duty)



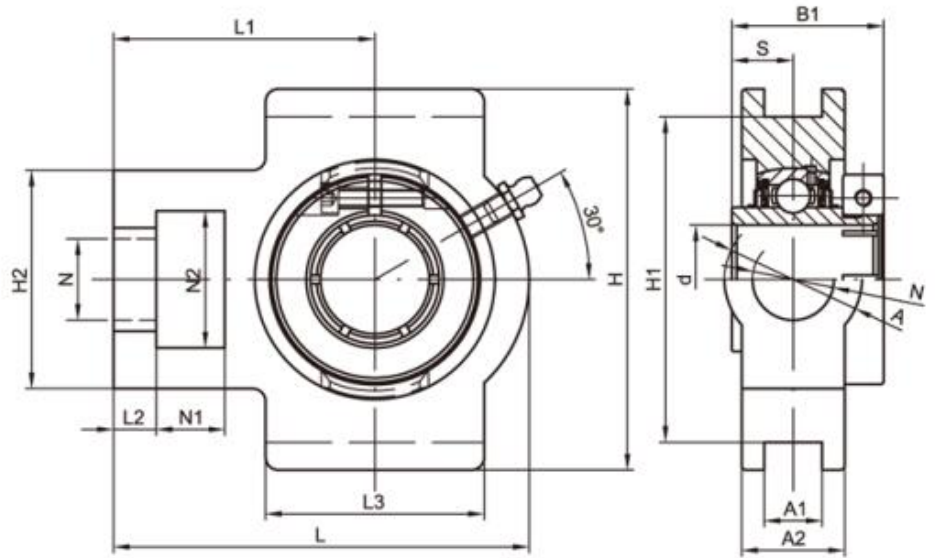
Unit No.	Dimensions(mm)																Bearing	Housing	Weight (kg)
	d	N1	L2	H2	N2	N	L3	A1	H1	H	L	A	A2	L1	B	S			
UCST201	12																UC201		
UCST201-8	12.7																UC201-8		
UCST202	15																UC202		
UCST202-10	15.875	16	10	51	32	19	51	13.5	76	89	94	32	21	61	31	12.7	UC202-10	ST204	0.8
UCST203	17																UC203		
UCST203-11	17.463																UC203-11		
UCST204	20																UC204		
UCST204-12	19.05																UC204-12		
UCST205	25																UC205		
UCST205-14	22.225	16	10	51	32	19	51	13.5	76	89	97	32	24	62	34.1	14.3	UC205-14	ST205	0.8
UCST205-15	23.813																UC205-15		
UCST205-16	25.4																UC205-16		
UCST206	30																UC206		
UCST206-17	26.988																UC206-17		
UCST206-18	28.575	16	10	56	37	22	57	13.5	89	102	113	37	28	70	38.1	15.9	UC206-18	ST206	1.26
UCST206-19	30.163																UC206-19		
UCST206-20	31.75																UC206-20		
UCST207	35																UC207		
UCST207-20	31.75																UC207-20		
UCST207-21	33.338	16	13	64	37	22	64	13.5	89	102	129	37	30	78	42.9	17.5	UC207-21	ST207	1.68
UCST207-22	34.925																UC207-22		
UCST207-23	36.513																UC207-23		
UCST208	40																UC208		
UCST208-24	38.1	19	16	83	49	29	83	17.5	102	114	144	49	33	88	49.2	19	UC208-24	ST208	2.28
UCST208-25	39.688																UC208-25		
UCST209	45																UC209		
UCST209-26	41.275	19	16	83	49	29	83	17.5	102	117	144	49	35	87	49.2	19	UC209-26	ST209	2.52
UCST209-27	42.863																UC209-27		
UCST209-28	44.45																UC209-28		
UCST210	50																UC210		
UCST210-30	47.625	19	16	83	49	29	86	17.5	102	117	149	49	37	90	51.6	19	UC210-30	ST210	2.75
UCST210-31	49.213																UC210-31		
UCST210-32	50.8																UC210-32		
UCST211	55																UC211		
UCST211-32	50.8	25	19	102	64	35	95	27	130	146	171	64	38	106	55.6	22.2	UC211-32	ST211	4.1
UCST212	60																UC212		
UCST212-36	57.15	32	19	102	64	35	102	27	130	146	194	64	42	119	65.1	25.4	UC212-36	ST212	4.9

UCT300 (Heavy-Duty)



Unit No.	Dimensions(mm)																		Bearing	Housing	Weight (kg)
	d	N1	L2	H2	N2	N	L3	A1	H1	H	L	A	A2	L1	B	S	A3				
UCT305	25	16	12	62	36	26	65	12	80	90	122	36	26	76	38	15		UC305	T305	1.41	
UCT306	30	18	14	70	41	28	74	16	90	100	137	41	28	85	43	17		UC306	T306	1.85	
UCT307	35	20	15	75	45	30	80	16	100	111	150	45	32	94	48	19		UC307	T307	2.45	
UCT308	40	22	17	83	50	32	89	18	112	124	162	50	34	100	52	19		UC308	T308	3.09	
UCT309	45	24	18	90	55	34	97	18	125	138	178	55	38	110	57	22		UC309	T309	4.08	
UCT310	50	27	20	98	61	37	106	20	140	151	191	61	40	117	61	22		UC310	T310	5.25	
UCT311	55	29	21	105	66	39	115	22	150	163	207	66	44	127	66	25		UC311	T311	6.41	
UCT312	60	31	23	115	71	41	123	22	160	179	220	72	46	135	71	26		UC312	T312	7.61	
UCT313	65	32	25	116	70	43	134	26	170	190	238	80	50	146	75	30		UC313	T313	9.22	
UCT314	70	36	25	130	85	46	140	26	180	202	252	90	52	155	78	33		UC314	T314	11.4	
UCT315	75	36	25	134	85	46	150	26	192	216	262	90	55	160	82	32		UC315	T315	12.9	
UCT316	80	42	28	150	98	53	160	30	204	230	282	102	60	174	86	34		UC316	T316	15.65	
UCT317	85	42	30	152	98	53	170	32	214	240	298	102	64	183	96	40		UC317	T317	19.34	
UCT318	90	46	30	160	106	57	175	32	228	255	312	110	66	192	96	40		UC318	T318	21.25	
UCT319	95	46	31	165	106	57	180	35	240	270	322	110	72	197	103	41		UC319	T319	24.4	
UCT320	100	48	32	175	115	59	200	35	260	290	345	120	75	210	108	42		UC320	T320	30.6	
UCT321	105	48	32	175	115	59	200	35	260	290	345	120	75	210	112	44		UC321	T321	30.2	
UCT322	110	52	38	185	125	65	215	38	285	320	385	130	80	235	117	46		UC322	T322	38.8	
UCT324	120	60	42	210	140	70	230	45	320	355	432	140	90	267	126	51		UC324	T324	54.6	
UCT326	130	65	45	220	150	75	240	50	350	385	465	150	100	285	135	54		UC326	T326	68.4	
UCT328	140	70	50	230	160	80	255	50	380	415	515	155	100	315	145	59		UC328	T328	83.2	

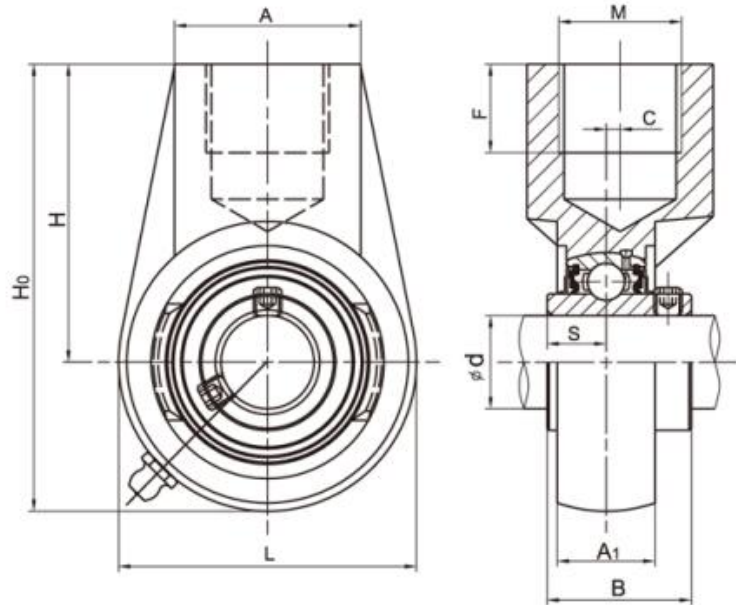
Standard duty, Wider inner ring bearing, Concentric locking, Cast gray iron housing



Unit No.	Shaft Dia		Dimensions(mm)															Weight (kg)
	d		N1	L2	H2	N2	N	L3	A1	H1	H	L	A	A2	L1	B1	S	
	(in)	(mm)																
UET204		20	16	10	51	32	19	51	12	76	89	94	32	21	61	33	12.7	0.93
UET204-12	3/4																	
UET205		25	16	10	51	32	19	51	12	76	89	97	32	24	62	35.4	14.3	0.96
UET205-14	7/8																	
UET205-15	15/16																	
UET205-16	1																	
UET206		30	16	10	56	37	22	57	12	89	102	113	37	28	70	39.8	15.9	1.4
UET206-17	1-1/16																	
UET206-18	1-1/8																	
UET206-19	1-3/16																	
UET206-20	1-1/4																	
UET207		35	16	13	64	37	22	64	12	89	102	129	37	30	78	43.9	17.5	1.79
UET207-20	1-1/4																	
UET207-21	1-5/16																	
UET207-22	1-3/8																	
UET207-23	1-7/16																	
UET208		40	19	16	83	49	29	83	16	102	114	144	49	33	88	50.2	19	2.76
UET208-24	1-1/2																	
UET208-25	1-9/16																	
UET209		45	19	16	83	49	29	83	16	102	117	144	49	35	87	50.2	19	2.88
UET209-26	1-5/8																	
UET209-27	1-11/16																	
UET209-28	1-3/4																	
UET210		50	19	16	83	49	29	86	16	102	117	149	49	37	90	52.6	19	2.86
UET210-30	1-7/8																	
UET210-31	1-15/16																	
UET210-32	2																	
UET211		55	25	19	102	64	35	95	22	130	146	171	64	38	106	56.6	22.2	4.52
UET211-32	2																	
UET211-34	2-1/8																	
UET211-35	2-3/16																	
UET212		60	32	19	102	64	35	102	22	130	146	194	64	42	119	66.6	25.4	5.41
UET212-36	2-1/4																	
UET212-38	2-3/8																	
UET212-39	2-7/16																	

Cast DUCTILE iron housing available upon request.

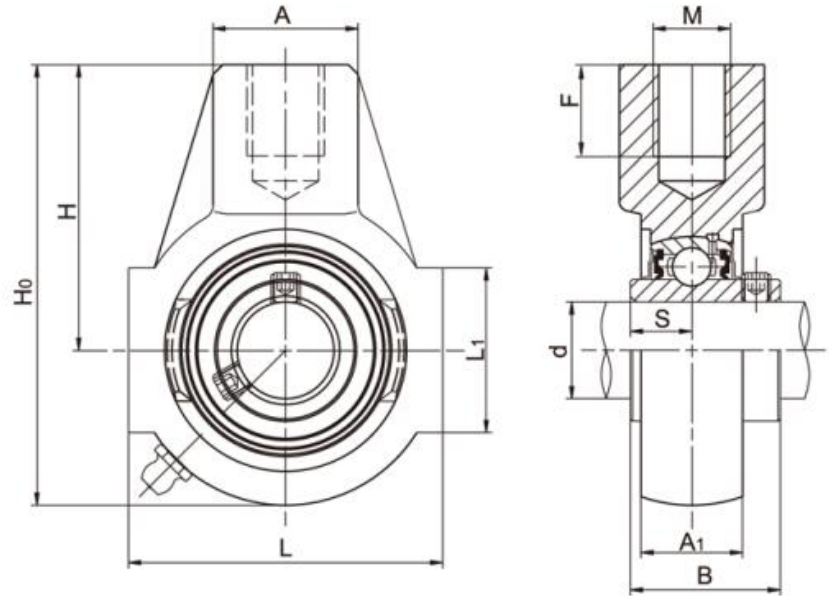
Standard duty,Wider inner ring bearing,Setscrew locking,Cast gray iron housing



Unit No.	Shaft Dia		Dimensions(mm)										Weight (kg)
	d		L	Ho	H	A	M(in)	F	C	A1	B	S	
	(in)	(mm)											
UCHA204		20	64	96	64	40	G3/4	19	0	21	31	12.7	0.7
UCHA204-12	3/4		64	96	64	40	G3/4	19	0	21	31	12.7	0.7
UCHA205		25	78	103	64	40	G3/4	19	0	24	34.1	14.3	0.74
UCHA205-14	7/8		78	103	64	40	G3/4	19	0	24	34.1	14.3	0.74
UCHA205-15	15/16		78	103	64	40	G3/4	19	0	24	34.1	14.3	0.74
UCHA205-16	1		78	103	64	40	G3/4	19	0	24	34.1	14.3	0.74
UCHA206		30	78	103	64	40	G3/4	19	0	28	38.1	15.9	0.91
UCHA206-17	1-1/16		78	103	64	40	G3/4	19	0	28	38.1	15.9	0.91
UCHA206-18	1-1/8		78	103	64	40	G3/4	19	0	28	38.1	15.9	0.91
UCHA206-19	1-3/16		78	103	64	40	G3/4	19	0	28	38.1	15.9	0.91
UCHA206-20	1-1/4		78	103	64	40	G3/4	19	0	28	38.1	15.9	0.91
UCHA207		35	92	116	70	40	G3/4	19	0	30	42.9	17.5	1.19
UCHA207-20	1-1/4		92	116	70	40	G3/4	19	0	30	42.9	17.5	1.19
UCHA207-21	1-5/16		92	116	70	40	G3/4	19	0	30	42.9	17.5	1.19
UCHA207-22	1-3/8		92	116	70	40	G3/4	19	0	30	42.9	17.5	1.19
UCHA207-23	1-7/16		92	116	70	40	G3/4	19	0	30	42.9	17.5	1.19
UCHA208		40	100	123	73	40	G3/4	19	2	33	49.2	19	1.36
UCHA208-24	1-1/2		100	123	73	40	G3/4	19	2	33	49.2	19	1.36
UCHA208-25	1-9/16		100	123	73	40	G3/4	19	2	33	49.2	19	1.36
UCHA209		45	108	136	82	48	G1	21	5	35	49.2	19	1.78
UCHA209-26	1-5/8		108	136	82	48	G1	21	5	35	49.2	19	1.78
UCHA209-27	1-11/16		108	136	82	48	G1	21	5	35	49.2	19	1.78
UCHA209-28	1-3/4		108	136	82	48	G1	21	5	35	49.2	19	1.78
UCHA210		50	119	142	83	48	G1	21	5	37	51.6	19	1.93
UCHA210-30	1-7/8		119	142	83	48	G1	21	5	37	51.6	19	1.93
UCHA210-31	1-15/16		119	142	83	48	G1	21	5	37	51.6	19	1.93
UCHA210-32	2		119	142	83	48	G1	21	5	37	51.6	19	1.93
UCHA211		55	126	150	87	60	G5/4	25	7	38	55.6	22.2	3.5
UCHA211-32	2		126	150	87	60	G5/4	25	7	38	55.6	22.2	3.5
UCHA211-34	2-1/8		126	150	87	60	G5/4	25	7	38	55.6	22.2	3.5
UCHA211-35	37331		126	150	87	60	G5/4	25	7	38	55.6	22.2	3.5
UCHA212		60	142	173	102	60	G5/4	28	9	42	65.1	25.4	3.9
UCHA212-36	2-1/4		142	173	102	60	G5/4	28	9	42	65.1	25.4	3.9
UCHA212-38	2-3/16		142	173	102	60	G5/4	28	9	42	65.1	25.4	3.9
UCHA212-39	2-7/16		142	173	102	60	G5/4	28	9	42	65.1	25.4	3.9
UCHA213		65	166	200	117	70	G1-1/2	32	9.5	44	65.1	25.4	3.9
UCHA213-40	2 1/2		166	200	117	70	G1-1/2	32	9.5	44	65.1	25.4	3.9

Cast DUCTILE iron housing available upon request.

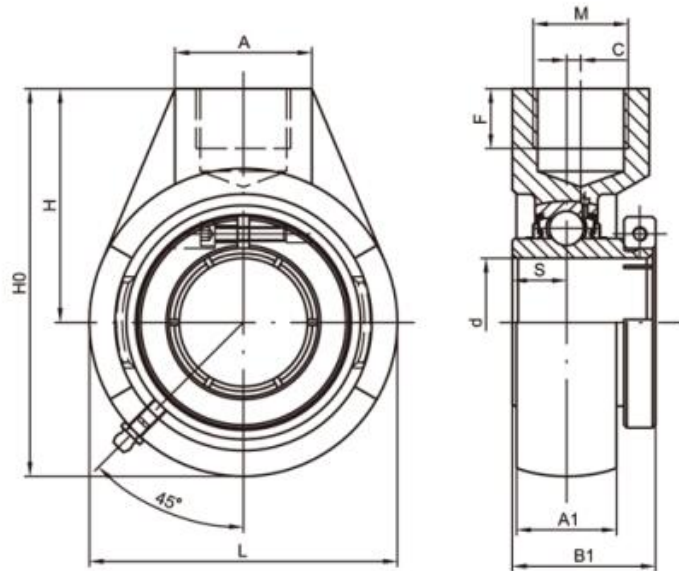
Standard duty, Wider inner ring bearing, Setscrew locking, Cast gray iron housing



Unit No.	Shaft Dia		Dimensions(mm)										Weight (kg)
	d		L	Ho	H	A	M	F	L1	A1	B	S	
	(in)	(mm)											
UCHE201		12	65	91	58	30	M16	21	38	24	31	12.7	0.61
UCHE201-8	1/2		65	91	58	30	M16	21	38	24	31	12.7	0.61
UCHE202		15	65	91	58	30	M16	21	38	24	31	12.7	0.61
UCHE202-9	9/16		65	91	58	30	M16	21	38	24	31	12.7	0.61
UCHE202-10	5/8		65	91	58	30	M16	21	38	24	31	12.7	0.61
UCHE203		17	65	91	58	30	M16	21	38	24	31	12.7	0.61
UCHE203-11	11/16		65	91	58	30	M16	21	38	24	31	12.7	0.61
UCHE204		20	65	91	58	30	M16	21	38	24	31	12.7	0.61
UCHE204-12	3/4		65	91	58	30	M16	21	38	24	31	12.7	0.61
UCHE205		25	70	99	64	35	M20	22	38	24	34.1	14.3	0.79
UCHE205-14	7/8		70	99	64	35	M20	22	38	24	34.1	14.3	0.79
UCHE205-15	15/16		70	99	64	35	M20	22	38	24	34.1	14.3	0.79
UCHE205-16	1		70	99	64	35	M20	22	38	24	34.1	14.3	0.79
UCHE206		30	85	114	72	40	M24	24	40	32	38.1	15.9	1.23
UCHE206-17	1-1/16		85	114	72	40	M24	24	40	32	38.1	15.9	1.23
UCHE206-18	1-1/8		85	114	72	40	M24	24	40	32	38.1	15.9	1.23
UCHE206-19	1-3/16		85	114	72	40	M24	24	40	32	38.1	15.9	1.23
UCHE206-20	1-1/4		85	114	72	40	M24	24	40	32	38.1	15.9	1.23
UCHE207		35	90	122	76	40	M24	24	48	30	42.9	17.5	1.44
UCHE207-20	1-1/4		90	122	76	40	M24	24	48	30	42.9	17.5	1.44
UCHE207-21	1-5/16		90	122	76	40	M24	24	48	30	42.9	17.5	1.44
UCHE207-22	1-3/8		90	122	76	40	M24	24	48	30	42.9	17.5	1.44
UCHE207-23	1-7/16		90	122	76	40	M24	24	48	30	42.9	17.5	1.44
UCHE208		40	101	135	85	40	M24	24	45	33	49.2	19	1.82
UCHE208-24	1-1/2		101	135	85	40	M24	24	45	33	49.2	19	1.82
UCHE208-25	1-9/16		101	135	85	40	M24	24	45	33	49.2	19	1.82
UCHE209		45	110	145	90	40	M24	24	46	40	49.2	19	2.05
UCHE209-26	1-5/8		110	145	90	40	M24	24	46	40	49.2	19	2.05
UCHE209-27	1-11/16		110	145	90	40	M24	24	46	40	49.2	19	2.05
UCHE209-28	1-3/4		110	145	90	40	M24	24	46	40	49.2	19	2.05
UCHE210		50	110	145	90	40	M24	24	46	40	51.6	19	2.13
UCHE210-30	1-7/8		110	145	90	40	M24	24	46	40	51.6	19	2.13
UCHE210-31	1-15/16		110	145	90	40	M24	24	46	40	51.6	19	2.13
UCHE210-32	2		110	145	90	40	M24	24	46	40	51.6	19	2.13

Cast DUCTILE iron housing available upon request.

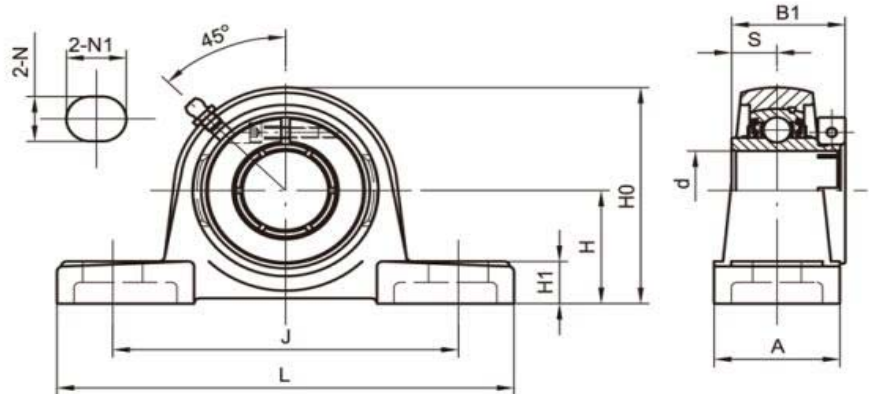
Standard duty, Wider inner ring bearing, Concentric locking, Cast gray iron housing



Unit No.	Shaft Dia		Dimensions(mm)										Weight (kg)
	d		L	Ho	H	A	M(in)	F	C	A1	B1	S	
	(in)	(mm)											
UEHA204		20	64	96	64	40	G3/4	19	0	21	33	12.7	0.77
UEHA204-12	3/4												
UEHA205		25	78	103	64	40	G3/4	19	0	24	35.4	14.3	0.95
UEHA205-14	7/8												
UEHA205-15	15/16												
UEHA205-16	1												
UEHA206		30											
UEHA206-17	1-1/16		78	103	64	40	G3/4	19	0	28	39.8	15.9	1.03
UEHA206-18	1-1/8												
UEHA206-19	1-3/16												
UEHA206-20	1-1/4												
UEHA207		35											
UEHA207-20	1-1/4		92	116	70	40	G3/4	19	0	30	43.9	17.5	1.38
UEHA207-21	1-5/16												
UEHA207-22	1-3/8												
UEHA207-23	1-7/16												
UEHA208		40											
UEHA208-24	1-1/2		100	123	73	40	G3/4	19	2	33	50.2	19	1.54
UEHA208-25	1-9/16												
UEHA209		45	108	136	82	48	G1	21	5	35	50.2	19	2.35
UEHA209-26	1-5/8												
UEHA209-27	1-11/16												
UEHA209-28	1-3/4												
UEHA210		50	119	142	83	48	G1	21	5	37	52.6	19	2.56
UEHA210-30	1-7/8												
UEHA210-31	1-15/16												
UEHA210-32	2												
UEHA211		55	126	150	87	60	G5/4	25	7	38	56.6	22.2	3.12
UEHA211-32	2												
UEHA211-34	2-1/8												
UEHA211-35	37331												
UEHA212		60											

Cast DUCTILE iron housing available upon request.

UEP Standard duty,Wider inner ring bearing, Concentric locking,Cast gray iron housing .



Unit No.	Shaft Dia		Dimensions (mm)										Bolt Size (mm)	Weight (kg)
	d (in)	(mm)	H	L	J	A	N	N1	H1	H0	B1	S		
UEP204		20	33.3	127	95	38	13	19	14	64	33	12.7	M10	0.68
UEP204-12	3/4"		33.3	127	95	38	13	19	14	64	33	12.7	M10	0.68
UEP205		25	36.5	140	105	38	13	19	15	71	35.4	14.3	M10	0.86
UEP205-14	7/8"		36.5	140	105	38	13	19	15	71	35.4	14.3	M10	0.86
UEP205-15	15/16"		36.5	140	105	38	13	19	15	71	35.4	14.3	M10	0.86
UEP205-16	1"		36.5	140	105	38	13	19	15	71	35.4	14.3	M10	0.86
UEP206		30	42.9	160	121	44	17	21	16	82	39.8	15.9	M14	1.2
UEP206-17	1-1/16"		42.9	160	121	44	17	21	16	82	39.8	15.9	M14	1.2
UEP206-18	1-1/8"		42.9	160	121	44	17	21	16	82	39.8	15.9	M14	1.2
UEP206-19	1-3/16"		42.9	160	121	44	17	21	16	82	39.8	15.9	M14	1.2
UEP206-20	1-1/4"		42.9	160	121	44	17	21	16	82	39.8	15.9	M14	1.2
UEP207		35	47.6	167	126	48	17	21	17	92	43.9	17.5	M14	1.6
UEP207-20	1-1/4"		47.6	167	126	48	17	21	17	92	43.9	17.5	M14	1.6
UEP207-21	1-5/16"		47.6	167	126	48	17	21	17	92	43.9	17.5	M14	1.6
UEP207-22	1-3/8"		47.6	167	126	48	17	21	17	92	43.9	17.5	M14	1.6
UEP207-23	1-7/16"		47.6	167	126	48	17	21	17	92	43.9	17.5	M14	1.6
UEP208		40	49.2	180	137	52	17	21	18	99	50.2	19	M14	2
UEP208-24	1-1/2"		49.2	180	137	52	17	21	18	99	50.2	19	M14	2
UEP208-25	1-9/16"		49.2	180	137	52	17	21	18	99	50.2	19	M14	2
UEP209		45	54	190	146	54	17	21	20	106	50.2	19	M14	2.32
UEP209-26	1-5/8"		54	190	146	54	17	21	20	106	50.2	19	M14	2.32
UEP209-27	1-11/16"		54	190	146	54	17	21	20	106	50.2	19	M14	2.32
UEP209-28	1-3/4"		54	190	146	54	17	21	20	106	50.2	19	M14	2.32
UEP210		50	57.2	206	159	60	20	25	21	114	52.6	19	M16	2.91
UEP210-30	1-7/8"		57.2	206	159	60	20	25	21	114	52.6	19	M16	2.91
UEP210-31	1-15/16"		57.2	206	159	60	20	25	21	114	52.6	19	M16	2.91
UEP210-32	2"		57.2	206	159	60	20	25	21	114	52.6	19	M16	2.91
UEP211		55	63.5	217	172	60	20	25	23	125	56.6	22.2	M16	3.65
UEP211-32	2"		63.5	217	172	60	20	25	23	125	56.6	22.2	M16	3.65
UEP211-34	2-1/8"		63.5	217	172	60	20	25	23	125	56.6	22.2	M16	3.65
UEP211-35	2-3/16"		63.5	217	172	60	20	25	23	125	56.6	22.2	M16	3.65
UEP212		60	69.9	238	186	70	20	25	24	137	66.6	25.4	M16	4.87
UEP212-36	2-1/4"		69.9	238	186	70	20	25	24	137	66.6	25.4	M16	4.87
UEP212-38	2-3/8"		69.9	238	186	70	20	25	24	137	66.6	25.4	M16	4.87
UEP212-39	2-7/16"		69.9	238	186	70	20	25	24	137	66.6	25.4	M16	4.87

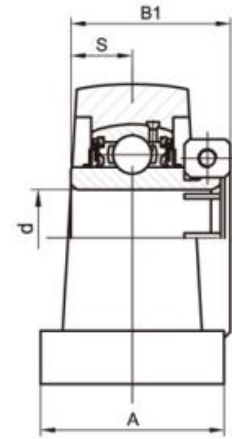
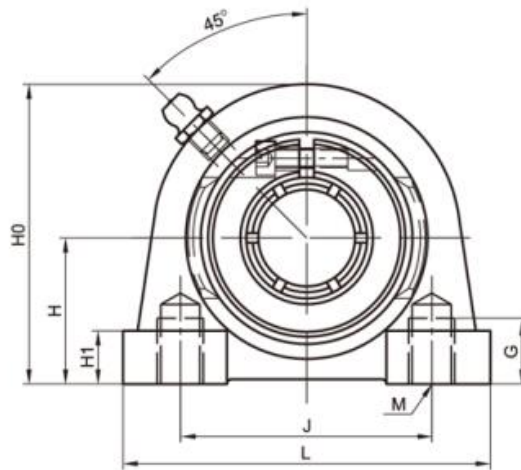
Notes:

- Grease fittings available at 90° positions.
- Bearing housing solid base optional,add suffix SB as designation.
- Cast ductile iron housing available upon request.

Tapped Base Pillow Block Bearing Units UEPA2 - Concentric Locking



Standard duty, Wider inner ring bearing, Concentric locking, Cast gray iron housing .



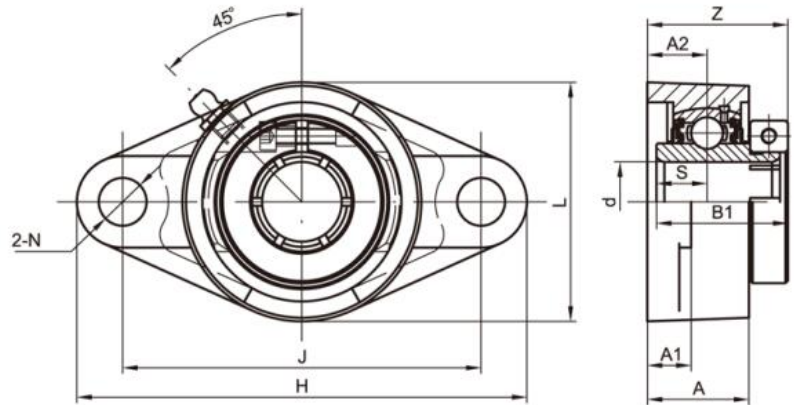
Unit No.	Shaft Dia		Dimensions(mm)										Bolt Size (mm)	Weight (kg)
	d		H	L	J	A	G	H1	Ho	M	B1	s		
(in)	(mm)													
UEPA204		20	30.2	76	52	38	13	11	62	M10	33	12.7	M10	0.65
UEPA204-12	3/4		30.2	76	52	38	13	11	62	M10	33	12.7	M10	0.65
UEPA205		25	36.5	84	56	38	15	12	72	M10	35.4	14.3	M10	0.85
UEPA205-14	7/8		36.5	84	56	38	15	12	72	M10	35.4	14.3	M10	0.85
UEPA205-15	15/16		36.5	84	56	38	15	12	72	M10	35.4	14.3	M10	0.85
UEPA205-16	1		36.5	84	56	38	15	12	72	M10	35.4	14.3	M10	0.85
UEPA206		30	42.9	94	66	48	18	12	84	M14	39.8	15.9	M14	1.3
UEPA206-17	1-1/16		42.9	94	66	48	18	12	84	M14	39.8	15.9	M14	1.3
UEPA206-18	1-1/8		42.9	94	66	48	18	12	84	M14	39.8	15.9	M14	1.3
UEPA206-19	1-3/16		42.9	94	66	48	18	12	84	M14	39.8	15.9	M14	1.3
UEPA206-20	1-1/4		42.9	94	66	48	18	12	84	M14	39.8	15.9	M14	1.3
UEPA207		35	47.6	110	80	48	20	13	95	M14	43.9	17.5	M14	1.7
UEPA207-20	1-1/4		47.6	110	80	48	20	13	95	M14	43.9	17.5	M14	1.7
UEPA207-21	1-5/16		47.6	110	80	48	20	13	95	M14	43.9	17.5	M14	1.7
UEPA207-22	1-3/8		47.6	110	80	48	20	13	95	M14	43.9	17.5	M14	1.7
UEPA207-23	1-7/16		47.6	110	80	48	20	13	95	M14	43.9	17.5	M14	1.7
UEPA208		40	49.2	116	84	54	20	13	100	M14	50.2	19	M14	2.12
UEPA208-24	1-1/2		49.2	116	84	54	20	13	100	M14	50.2	19	M14	2.12
UEPA208-25	1-9/16		49.2	116	84	54	20	13	100	M14	50.2	19	M14	2.12
UEPA209		45	54.2	120	90	54	25	13	108	M14	50.2	19	M14	2.54
UEPA209-26	1-5/8		54.2	120	90	54	25	13	108	M14	50.2	19	M14	2.54
UEPA209-27	1-11/16		54.2	120	90	54	25	13	108	M14	50.2	19	M14	2.54
UEPA209-28	1-3/4		54.2	120	90	54	25	13	108	M14	50.2	19	M14	2.54
UEPA210		50	57.2	130	94	60	25	14	116	M16	52.6	19	M16	3.25
UEPA210-30	1-7/8		57.2	130	94	60	25	14	116	M16	52.6	19	M16	3.25
UEPA210-31	1-15/16		57.2	130	94	60	25	14	116	M16	52.6	19	M16	3.25
UEPA210-32	2		57.2	130	94	60	25	14	116	M16	52.6	19	M16	3.25
UEPA211		55	63.5	140	104	66	25	14	125	M16	56.6	22.2	M16	3.63
UEPA211-32	2		63.5	140	104	66	25	14	125	M16	56.6	22.2	M16	3.63
UEPA211-34	2-1/8		63.5	140	104	66	25	14	125	M16	56.6	22.2	M16	3.63
UEPA211-35	2-3/16		63.5	140	104	66	25	14	125	M16	56.6	22.2	M16	3.63
UEPA212		60	69.9	150	114	68	25	17	138	M16	66.6	25.4	M16	4.7
UEPA212-36	2-1/4		69.9	150	114	68	25	17	138	M16	66.6	25.4	M16	4.7
UEPA212-38	2-3/8		69.9	150	114	68	25	17	138	M16	66.6	25.4	M16	4.7
UEPA212-39	2-7/16		69.9	150	114	68	25	17	138	M16	66.6	25.4	M16	4.7

Cast DUCTILE iron housing available upon request

UEFL 2-Bolt Flange Units - Concentric Locking



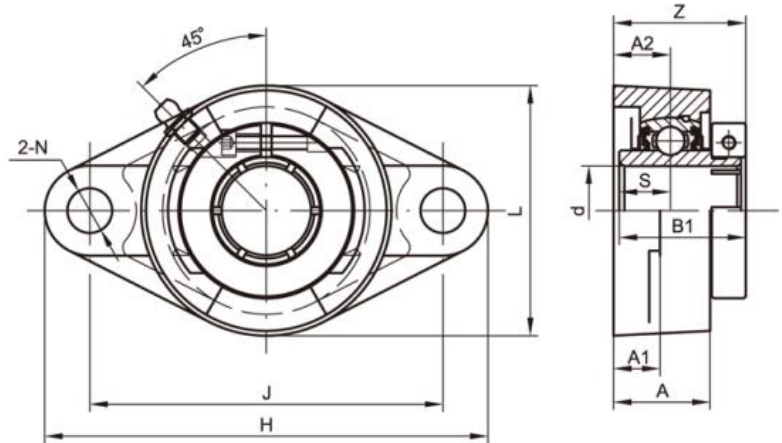
Standard duty, Wider inner ring bearing, Concentric locking, Cast gray iron housing .



Unit No.	Shaft Dia		Dimensions(mm)										Bolt Size (mm)	Weight (kg)
	d (in)	d (mm)	H	J	A2	A1	A	N	L	B1	S	Z		
UEFL204		20	113	90	15	11	25.5	12	60	33	12.7	35.3	M10	0.47
UEFL204-12	3/4		113	90	15	11	25.5	12	60	33	12.7	35.3	M10	0.47
UEFL205		25	130	99	16	13	27	16	68	35.4	14.3	37.1	M14	0.64
UEFL205-14	7/8		130	99	16	13	27	16	68	35.4	14.3	37.1	M14	0.64
UEFL205-15	15/16		130	99	16	13	27	16	68	35.4	14.3	37.1	M14	0.64
UEFL205-16	1		130	99	16	13	27	16	68	35.4	14.3	37.1	M14	0.64
UEFL206		30	148	117	18	13	31	16	80	39.8	15.9	41.9	M14	0.95
UEFL206-17	1-1/16		148	117	18	13	31	16	80	39.8	15.9	41.9	M14	0.95
UEFL206-18	1-1/8		148	117	18	13	31	16	80	39.8	15.9	41.9	M14	0.95
UEFL206-19	1-3/16		148	117	18	13	31	16	80	39.8	15.9	41.9	M14	0.95
UEFL206-20	1-1/4		148	117	18	13	31	16	80	39.8	15.9	41.9	M14	0.95
UEFL207		35	160	130	19	15	34	16	90	43.9	17.5	45.4	M14	1.27
UEFL207-20	1-1/4		160	130	19	15	34	16	90	43.9	17.5	45.4	M14	1.27
UEFL207-21	1-5/16		160	130	19	15	34	16	90	43.9	17.5	45.4	M14	1.27
UEFL207-22	1-3/8		160	130	19	15	34	16	90	43.9	17.5	45.4	M14	1.27
UEFL207-23	1-7/16		160	130	19	15	34	16	90	43.9	17.5	45.4	M14	1.27
UEFL208		40	175	144	21	15	36	16	100	50.2	19	52.2	M14	1.62
UEFL208-24	1-1/2		175	144	21	15	36	16	100	50.2	19	52.2	M14	1.62
UEFL208-25	1-9/16		175	144	21	15	36	16	100	50.2	19	52.2	M14	1.62
UEFL209		45	188	148	22	16	38	19	108	50.2	19	53.2	M16	2.02
UEFL209-26	1-5/8		188	148	22	16	38	19	108	50.2	19	53.2	M16	2.02
UEFL209-27	1-11/16		188	148	22	16	38	19	108	50.2	19	53.2	M16	2.02
UEFL209-28	1-3/4		188	148	22	16	38	19	108	50.2	19	53.2	M16	2.02
UEFL210		50	197	157	22	16	40	19	115	52.6	19	55.6	M16	2.27
UEFL210-30	1-7/8		197	157	22	16	40	19	115	52.6	19	55.6	M16	2.27
UEFL210-31	1-15/16		197	157	22	16	40	19	115	52.6	19	55.6	M16	2.27
UEFL210-32	2		197	157	22	16	40	19	115	52.6	19	55.6	M16	2.27
UEFL211		55	224	184	25	18	43	19	125	56.6	22.2	59.4	M16	3.34
UEFL211-32	2		224	184	25	18	43	19	125	56.6	22.2	59.4	M16	3.34
UEFL211-34	2-1/8		224	184	25	18	43	19	125	56.6	22.2	59.4	M16	3.34
UEFL211-35	2-3/16		224	184	25	18	43	19	125	56.6	22.2	59.4	M16	3.34
UEFL212		60	250	202	29	18	48	23	140	66.6	25.4	70.2	M20	4.3
UEFL212-36	2-1/4		250	202	29	18	48	23	140	66.6	25.4	70.2	M20	4.3
UEFL212-38	2-3/8		250	202	29	18	48	23	140	66.6	25.4	70.2	M20	4.3
UEFL212-39	2-7/16		250	202	29	18	48	23	140	66.6	25.4	70.2	M20	4.3

Cast DUCTILE iron housing available upon request

Standard duty,Wider inner ring bearing, Concentric locking,Cast gray iron housing .



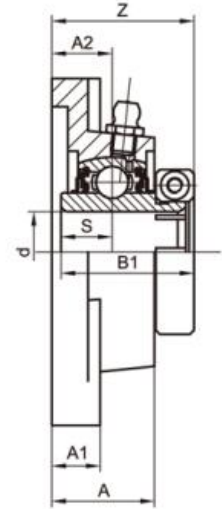
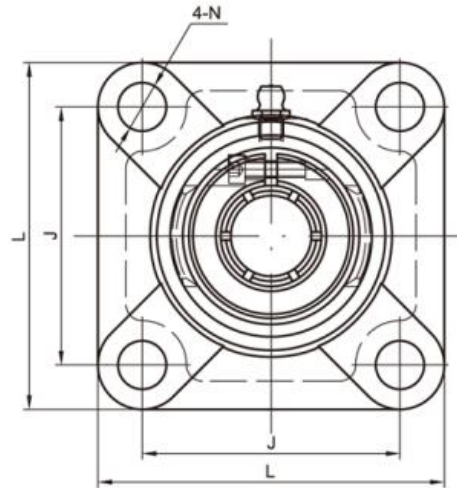
Unit No.	Shaft Dia		Dimensions(mm)										Bolt Size (mm)	Weight (kg)
	d (in)	d (mm)	H	J	A2	A1	A	N	L	B1	S	Z		
UEFT204		20	112	89.7	14.3	11	25	10.5	60	33	12.7	34.6	M8	0.51
UEFT204-12	3/4		112	89.7	14.3	11	25	10.5	60	33	12.7	34.6	M8	0.51
UEFT205		25	124	98.8	15.9	13	27	12.5	70	35.4	14.3	36.9	M10	0.72
UEFT205-13	13/16		124	98.8	15.9	13	27	12.5	70	35.4	14.3	36.9	M10	0.72
UEFT205-14	7/8		124	98.8	15.9	13	27	12.5	70	35.4	14.3	36.9	M10	0.72
UEFT205-15	15/16		124	98.8	15.9	13	27	12.5	70	35.4	14.3	36.9	M10	0.72
UEFT205-16	1		124	98.8	15.9	13	27	12.5	70	35.4	14.3	36.9	M10	0.72
UEFT206		30	141	116.7	17.9	13	30	12.5	83	39.8	15.9	41.8	M10	1.04
UEFT206-17	1-1/16		141	116.7	17.9	13	30	12.5	83	39.8	15.9	41.8	M10	1.04
UEFT206-18	1-1/8		141	116.7	17.9	13	30	12.5	83	39.8	15.9	41.8	M10	1.04
UEFT206-19	1-3/16		141	116.7	17.9	13	30	12.5	83	39.8	15.9	41.8	M10	1.04
UEFT206-20	1-1/4		141	116.7	17.9	13	30	12.5	83	39.8	15.9	41.8	M10	1.04
UEFT207		35	156	130.2	19.1	14	34	14	95	43.9	17.5	45.5	M12	1.48
UEFT207-20	1-1/4		156	130.2	19.1	14	34	14	95	43.9	17.5	45.5	M12	1.48
UEFT207-21	1-5/16		156	130.2	19.1	14	34	14	95	43.9	17.5	45.5	M12	1.48
UEFT207-22	1-3/8		156	130.2	19.1	14	34	14	95	43.9	17.5	45.5	M12	1.48
UEFT207-23	1-7/16		156	130.2	19.1	14	34	14	95	43.9	17.5	45.5	M12	1.48
UEFT208		40	171	143.7	21	14	38	14	105	50.2	19	52.2	M12	1.86
UEFT208-24	1-1/2		171	143.7	21	14	38	14	105	50.2	19	52.2	M12	1.86
UEFT208-25	1-9/16		171	143.7	21	14	38	14	105	50.2	19	52.2	M12	1.86
UEFT209		45	179	148.4	21.8	14	40	16	111	50.2	19	53	M14	2.14
UEFT209-26	1-5/8		179	148.4	21.8	14	40	16	111	50.2	19	53	M14	2.14
UEFT209-27	1-11/16		179	148.4	21.8	14	40	16	111	50.2	19	53	M14	2.14
UEFT209-28	1-3/4		179	148.4	21.8	14	40	16	111	50.2	19	53	M14	2.14
UEFT210		50	189	157.2	22.2	14	40	16	116	52.6	19	55.8	M14	2.26
UEFT210-29	1-13/16		189	157.2	22.2	14	40	16	116	52.6	19	55.8	M14	2.26
UEFT210-30	1-7/8		189	157.2	22.2	14	40	16	116	52.6	19	55.8	M14	2.26
UEFT210-31	1-15/16		189	157.2	22.2	14	40	16	116	52.6	19	55.8	M14	2.26
UEFT210-32	2		189	157.2	22.2	14	40	16	116	52.6	19	55.8	M14	2.26
UEFT211		55	216	184.2	25.4	21	44	18	133	56.6	22.2	59.8	M16	3.31
UEFT211-32	2		216	184.2	25.4	21	44	18	133	56.6	22.2	59.8	M16	3.31
UEFT211-33	2-1/16		216	184.2	25.4	21	44	18	133	56.6	22.2	59.8	M16	3.31
UEFT211-34	2-1/8		216	184.2	25.4	21	44	18	133	56.6	22.2	59.8	M16	3.31
UEFT211-35	2-3/16		216	184.2	25.4	21	44	18	133	56.6	22.2	59.8	M16	3.31

Cast DUCTILE iron housing available upon request

4-Bolt Flange Units UEF2 - Concentric Locking



Standard duty, Wider inner ring bearing, Concentric locking, Cast gray iron housing .

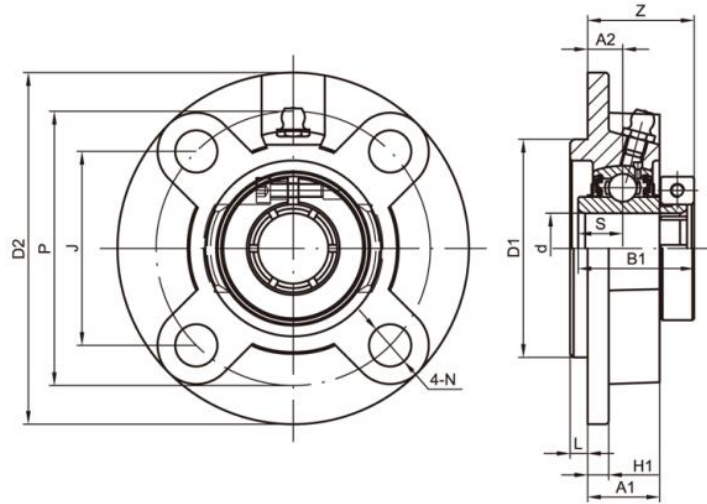


Unit No.	Shaft Dia		Dimensions(mm)								Bolt Size (mm)	Weight (kg)	
	d		L	J	A2	A1	A	N	B1	S			Z
	(in)	(mm)											
UEF204		20	86	64	15	12	25.5	12	33	12.7	35.3	M10	0.63
UEF204-12	3/4		86	64	15	12	25.5	12	33	12.7	35.3	M10	0.63
UEF205		25	95	70	16	14	27	12	35.4	14.3	37.1	M10	0.83
UEF205-14	7/8		95	70	16	14	27	12	35.4	14.3	37.1	M10	0.83
UEF205-15	15/16		95	70	16	14	27	12	35.4	14.3	37.1	M10	0.83
UEF205-16	1		95	70	16	14	27	12	35.4	14.3	37.1	M10	0.83
UEF206		30	108	83	18	14	31	12	39.8	15.9	41.9	M10	1.18
UEF206-17	1-1/16		108	83	18	14	31	12	39.8	15.9	41.9	M10	1.18
UEF206-18	1-1/8		108	83	18	14	31	12	39.8	15.9	41.9	M10	1.18
UEF206-19	1-3/16		108	83	18	14	31	12	39.8	15.9	41.9	M10	1.18
UEF206-20	1-1/4		108	83	18	14	31	12	39.8	15.9	41.9	M10	1.18
UEF207		35	117	92	19	16	34	14	43.9	17.5	45.4	M12	1.52
UEF207-20	1-1/4		117	92	19	16	34	14	43.9	17.5	45.4	M12	1.52
UEF207-21	1-5/16		117	92	19	16	34	14	43.9	17.5	45.4	M12	1.52
UEF207-22	1-3/8		117	92	19	16	34	14	43.9	17.5	45.4	M12	1.52
UEF207-23	1-7/16		117	92	19	16	34	14	43.9	17.5	45.4	M12	1.52
UEF208		40	130	102	21	16	36	16	50.2	19	52.2	M14	1.94
UEF208-24	1-1/2		130	102	21	16	36	16	50.2	19	52.2	M14	1.94
UEF208-25	1-9/16		130	102	21	16	36	16	50.2	19	52.2	M14	1.94
UEF209		45	137	105	22	18	38	16	50.2	19	53.2	M14	2.41
UEF209-26	1-5/8		137	105	22	18	38	16	50.2	19	53.2	M14	2.41
UEF209-27	1-11/16		137	105	22	18	38	16	50.2	19	53.2	M14	2.41
UEF209-28	1-3/4		137	105	22	18	38	16	50.2	19	53.2	M14	2.41
UEF210		50	143	111	22	18	40	16	52.6	19	55.6	M14	2.66
UEF210-30	1-7/8		143	111	22	18	40	16	52.6	19	55.6	M14	2.66
UEF210-31	1-15/16		143	111	22	18	40	16	52.6	19	55.6	M14	2.66
UEF210-32	2		143	111	22	18	40	16	52.6	19	55.6	M14	2.66
UEF211		55	162	130	25	20	43	19	56.6	22.2	59.4	M16	3.73
UEF211-32	2		162	130	25	20	43	19	56.6	22.2	59.4	M16	3.73
UEF211-34	2-1/8		162	130	25	20	43	19	56.6	22.2	59.4	M16	3.73
UEF211-35	2-3/16		162	130	25	20	43	19	56.6	22.2	59.4	M16	3.73
UEF212		60	175	143	29	20	48	19	66.6	25.4	70.2	M16	4.69
UEF212-36	2-1/4		175	143	29	20	48	19	66.6	25.4	70.2	M16	4.69
UEF212-38	2-3/8		175	143	29	20	48	19	66.6	25.4	70.2	M16	4.69
UEF212-39	2-7/16		175	143	29	20	48	19	66.6	25.4	70.2	M16	4.69

Cast DUCTILE iron housing available upon request

4 Bolts Flange Cartridge Bearing Units UEFC2

Standard duty, Wider inner ring bearing, Concentric locking, Cast gray iron housing .



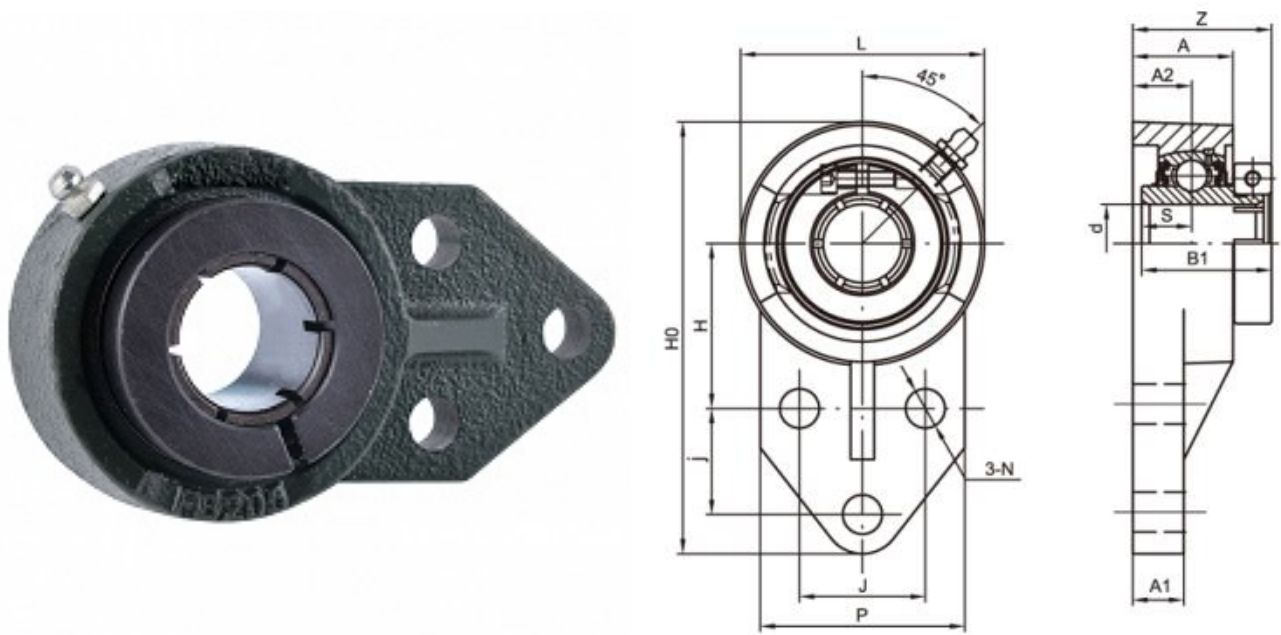
Unit No.	Shaft Dia		Dimensions(mm)											Bolt Size (mm)	Weight (kg)	
	d		D2	P	J	A2	N	L	H1	A1	D1	B1	S			Z
	(in)	(mm)														
UEFC204		20	100	78	55.1	10	12	5	7	20.5	62	33	12.7	30.3	M10	0.75
UEFC204-12	3/4															
UEFC205		25	115	90	63.6	10	12	6	7	21	70	35.4	14.3	31.1	M10	1.06
UEFC205-14	7/8															
UEFC205-15	15/16															
UEFC205-16	1															
UEFC206		30	125	100	70.7	10	12	8	8	23	80	39.8	15.9	33.9	M10	1.54
UEFC206-17	1-1/16															
UEFC206-18	1-1/8															
UEFC206-19	1-3/16															
UEFC206-20	1-1/4															
UEFC207		35	135	110	77.8	11	14	8	9	26	90	43.9	17.5	37.4	M12	1.82
UEFC207-20	1-1/4															
UEFC207-21	1-5/16															
UEFC207-22	1-3/8															
UEFC207-23	1-7/16															
UEFC208		40	145	120	84.8	11	14	10	9	26	100	50.2	19	42.2	M12	2.23
UEFC208-24	1-1/2															
UEFC208-25	1-9/16															
UEFC209		45	160	132	93.3	10	16	12	14	26	105	50.2	19	41.2	M14	2.72
UEFC209-26	1-5/8															
UEFC209-27	1-11/16															
UEFC209-28	1-3/4															
UEFC210		50	165	138	97.6	10	16	12	14	28	110	52.6	19	43.6	M14	3.24
UEFC210-30	1-7/8															
UEFC210-31	1-15/16															
UEFC210-32	2															
UEFC211		55	185	150	106.1	13	19	12	15	30	125	56.6	22.2	47.4	M16	4.32
UEFC211-32	2															
UEFC211-34	2-1/8															
UEFC211-35	2-3/16															
UEFC212		60	195	160	113.1	17	19	12	15	35	135	66.6	25.4	58.2	M16	5.33
UEFC212-36	2-1/4															
UEFC212-38	2-3/8															
UEFC212-39	2-7/16															

Cast DUCTILE iron housing available upon request.

UEFB 3-Bolt Flange Bracket Units - Concentric Locking



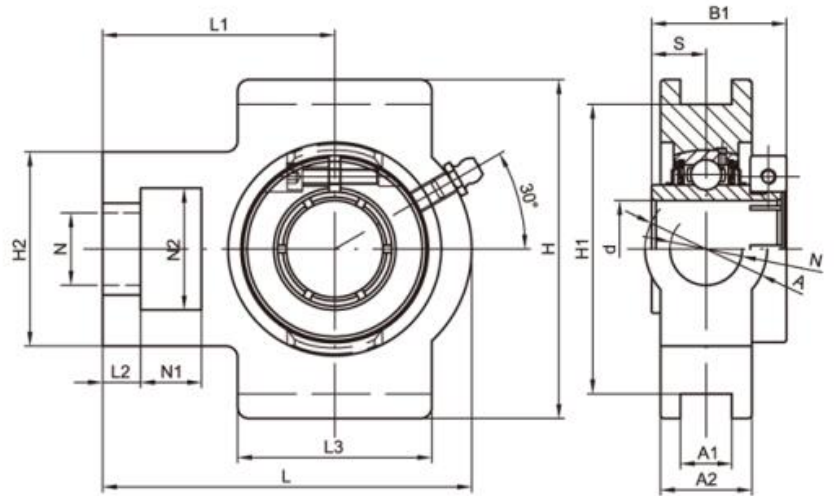
Standard duty, Wider inner ring bearing, Concentric locking, Cast gray iron housing .



Unit No.	Shaft Dia		Dimensions(mm)													Bolt Size (mm)	
	d		Ho	H	J	j	A2	A1	A	N	L	P	B1	S	Z		
	(in)	(mm)															
UEFB204		20	110	42	32	27	15	13	25.5	10	62	52	33	12.7	35.3	M8	0.692
UEFB204-12	3/4		110	42	32	27	15	13	25.5	10	62	52	33	12.7	35.3	M8	0.692
UEFB205		25	116	45	34	27	16	13	27	10	68	56	35.4	14.3	37.1	M8	0.87
UEFB205-14	7/8		116	45	34	27	16	13	27	10	68	56	35.4	14.3	37.1	M8	0.87
UEFB205-15	15/16		116	45	34	27	16	13	27	10	68	56	35.4	14.3	37.1	M8	0.87
UEFB205-16	1		116	45	34	27	16	13	27	10	68	56	35.4	14.3	37.1	M8	0.87
UEFB206		30	130	50	40	29	18	13	31	10	78	65	39.8	15.9	41.9	M8	1.13
UEFB206-17	1-1/16		130	50	40	29	18	13	31	10	78	65	39.8	15.9	41.9	M8	1.13
UEFB206-18	1-1/8		130	50	40	29	18	13	31	10	78	65	39.8	15.9	41.9	M8	1.13
UEFB206-19	1-3/16		130	50	40	29	18	13	31	10	78	65	39.8	15.9	41.9	M8	1.13
UEFB206-20	1-1/4		130	50	40	29	18	13	31	10	78	65	39.8	15.9	41.9	M8	1.13
UEFB207		35	144	55	46	32	19	15	34	10	90	70	43.9	17.5	45.4	M8	1.5
UEFB207-20	1-1/4		144	55	46	32	19	15	34	10	90	70	43.9	17.5	45.4	M8	1.5
UEFB207-21	1-5/16		144	55	46	32	19	15	34	10	90	70	43.9	17.5	45.4	M8	1.5
UEFB207-22	1-3/8		144	55	46	32	19	15	34	10	90	70	43.9	17.5	45.4	M8	1.5
UEFB207-23	1-7/16		144	55	46	32	19	15	34	10	90	70	43.9	17.5	45.4	M8	1.5
UEFB208		40	164	60	50	41	21	16	36	12	100	78	50.2	19	52.2	M10	2.07
UEFB208-24	1-1/2		164	60	50	41	21	16	36	12	100	78	50.2	19	52.2	M10	2.07
UEFB208-25	1-9/16		164	60	50	41	21	16	36	12	100	78	50.2	19	52.2	M10	2.07
UEFB209		45	174	65	54	43	22	18	38	12	106	80	50.2	19	53.2	M10	2.43
UEFB209-26	1-5/8		174	65	54	43	22	18	38	12	106	80	50.2	19	53.2	M10	2.43
UEFB209-27	1-11/16		174	65	54	43	22	18	38	12	106	80	50.2	19	53.2	M10	2.43
UEFB209-28	1-3/4		174	65	54	43	22	18	38	12	106	80	50.2	19	53.2	M10	2.43
UEFB210		50	184	68	58	46	22	18	40	12	112	86	52.6	19	55.6	M10	2.8
UEFB210-30	1-7/8		184	68	58	46	22	18	40	12	112	86	52.6	19	55.6	M10	2.8
UEFB210-31	1-15/16		184	68	58	46	22	18	40	12	112	86	52.6	19	55.6	M10	2.8
UEFB210-32	2		184	68	58	46	22	18	40	12	112	86	52.6	19	55.6	M10	2.8

Cast DUCTILE iron housing available upon request

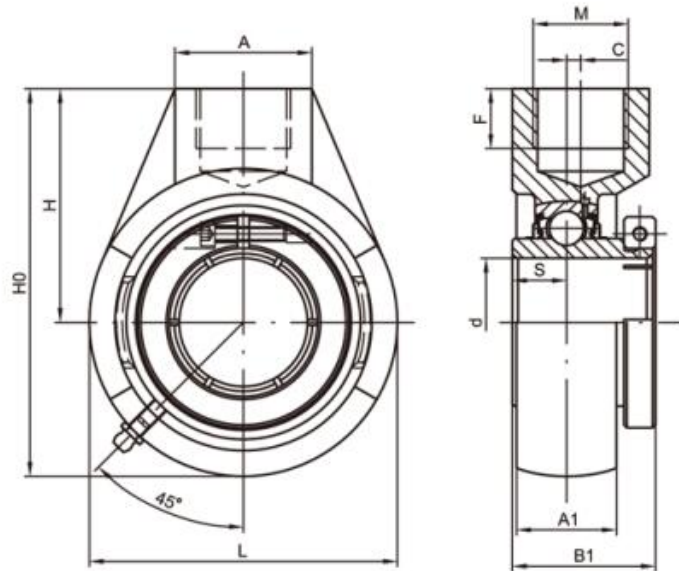
Standard duty, Wider inner ring bearing, Concentric locking, Cast gray iron housing



Unit No.	Shaft Dia		Dimensions(mm)														Weight (kg)	
	d		N1	L2	H2	N2	N	L3	A1	H1	H	L	A	A2	L1	B1		S
	(in)	(mm)																
UET204		20	16	10	51	32	19	51	12	76	89	94	32	21	61	33	12.7	0.93
UET204-12	3/4																	
UET205		25	16	10	51	32	19	51	12	76	89	97	32	24	62	35.4	14.3	0.96
UET205-14	7/8																	
UET205-15	15/16																	
UET205-16	1																	
UET206		30	16	10	56	37	22	57	12	89	102	113	37	28	70	39.8	15.9	1.4
UET206-17	1-1/16																	
UET206-18	1-1/8																	
UET206-19	1-3/16																	
UET206-20	1-1/4																	
UET207		35	16	13	64	37	22	64	12	89	102	129	37	30	78	43.9	17.5	1.79
UET207-20	1-1/4																	
UET207-21	1-5/16																	
UET207-22	1-3/8																	
UET207-23	1-7/16																	
UET208		40	19	16	83	49	29	83	16	102	114	144	49	33	88	50.2	19	2.76
UET208-24	1-1/2																	
UET208-25	1-9/16																	
UET209		45	19	16	83	49	29	83	16	102	117	144	49	35	87	50.2	19	2.88
UET209-26	1-5/8																	
UET209-27	1-11/16																	
UET209-28	1-3/4																	
UET210		50	19	16	83	49	29	86	16	102	117	149	49	37	90	52.6	19	2.86
UET210-30	1-7/8																	
UET210-31	1-15/16																	
UET210-32	2																	
UET211		55	25	19	102	64	35	95	22	130	146	171	64	38	106	56.6	22.2	4.52
UET211-32	2																	
UET211-34	2-1/8																	
UET211-35	2-3/16																	
UET212		60	32	19	102	64	35	102	22	130	146	194	64	42	119	66.6	25.4	5.41
UET212-36	2-1/4																	
UET212-38	2-3/8																	
UET212-39	2-7/16																	

Cast DUCTILE iron housing available upon request.

Standard duty, Wider inner ring bearing, Concentric locking, Cast gray iron housing



Unit No.	Shaft Dia		Dimensions(mm)										Weight (kg)
	d		L	Ho	H	A	M(in)	F	C	A1	B1	S	
	(in)	(mm)											
UCHA204		20	64	96	64	40	G3/4	19	0	21	33	12.7	0.77
UCHA204-12	3/4												
UCHA205		25											
UCHA205-14	7/8		78	103	64	40	G3/4	19	0	24	35.4	14.3	0.95
UCHA205-15	15/16												
UCHA205-16	1												
UCHA206		30											
UCHA206-17	1-1/16		78	103	64	40	G3/4	19	0	28	39.8	15.9	1.03
UCHA206-18	1-1/8												
UCHA206-19	1-3/16												
UCHA206-20	1-1/4												
UCHA207		35											
UCHA207-20	1-1/4		92	116	70	40	G3/4	19	0	30	43.9	17.5	1.38
UCHA207-21	1-5/16												
UCHA207-22	1-3/8												
UCHA207-23	1-7/16												
UCHA208		40											
UCHA208-24	1-1/2		100	123	73	40	G3/4	19	2	33	50.2	19	1.54
UCHA208-25	1-9/16												
UCHA209		45											
UCHA209-26	1-5/8		108	136	82	48	G1	21	5	35	50.2	19	2.35
UCHA209-27	1-11/16												
UCHA209-28	1-3/4												
UCHA210		50											
UCHA210-30	1-7/8		119	142	83	48	G1	21	5	37	52.6	19	2.56
UCHA210-31	1-15/16												
UCHA210-32	2												
UCHA211		55											
UCHA211-32	2		126	150	87	60	G5/4	25	7	38	56.6	22.2	3.12
UCHA211-34	2-1/8												
UCHA211-35	37331												
UCHA212		60											
		60	142	173	102	60	G5/4	28	9	42	66.6	25.4	4.4

Cast DUCTILE iron housing available upon request.