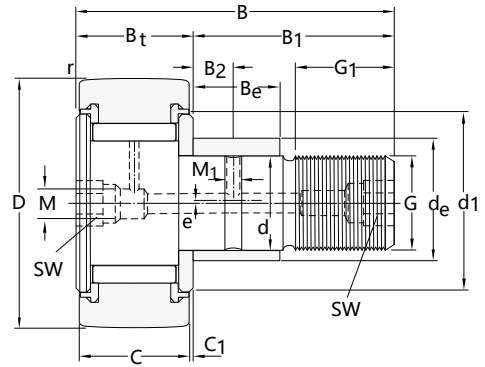
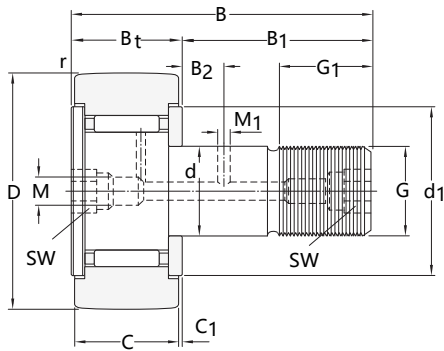
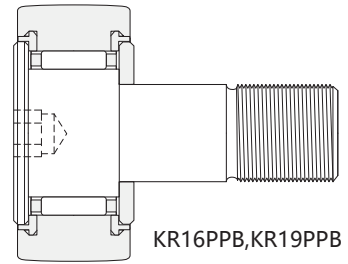
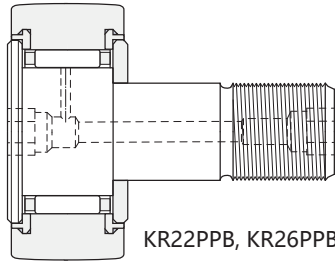
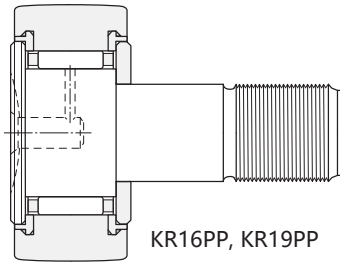


# Metric Cam Followers



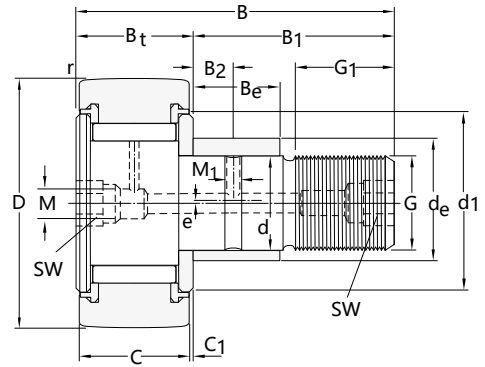
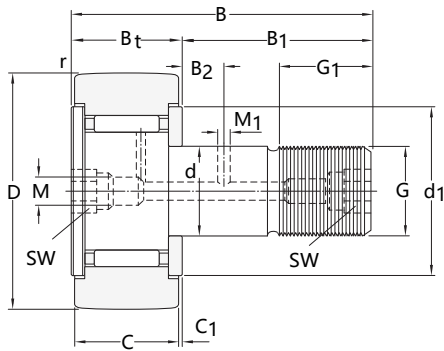
Designation		D	C		d		B <sub>t</sub>	C <sub>1</sub>	G <sub>1</sub>	B	R	e	Be	de	Fr	For	
W/O Seals	With Seals	Outside Diameter		Outer Ring Width		Stud Diameter		Stud Length	Dist. outer ring face to washer face	Min. Thread Length	Total Length	Cylindrical Suffix X	Ecc	Locking collar width	Locking collar OD	Max. dynamic radial loads	Max. static radial loads
		mm / inch															
		Nom.	Tol.	Nom.	Tol.	Nom.	Tol.	(Ref)	(Ref)	(Ref)	(Ref)	Radius	(Ref)	+0/- .15 +.002/- .006	(Ref)	(Ref)	N/lb
KR 13	KR 13 PP	13.000 .5118	+0/- .050 +0/- .002	9.000 .3543	0/-0.12 +0/-0.005	5.000 .1969	+0/- .012 +0/- .0005	13 .5	.60 .024	7.5 .30	23 .9	500 19.7	N/A	N/A	N/A	2,060 463	1,650 371
KR 13 B	KR 13 PPB		Cylindrical														
KR 13 X	KR 13 PPX																
KR 13 BX	KR 13 PPBX																
KRV 16	KRV 16 PP	16.000 .6299	+0/- .050 +0/- .002	11.000 .4331	0/-0.12 +0/-0.005	6.000 .2362	+0/- .012 +0/- .0005	16 .6	.60 .024	8.0 .315	28 1.1	500 19.7	N/A	N/A	N/A	4,850 1,090	6,500 1,461
KRV 16 B	KRV 16 PPB		Cylindrical														
KRV 16 X	KRV 16 PPX																
KRV 16 BX	KRV 16 PPBX																
KRVE 16	KRVE 16 PP	16.000 .6299	+0/- .050 +0/- .002	11.000 .4331	0/-0.12 +0/-0.005	6.000 .2362	+0/- .012 +0/- .0005	16 .6	.60 .024	8.0 .315	28 1.1	500 19.7	0.5 .02	7 0.27	9 .35	3,150 708	3,300 742
KRVE 16 B	KRVE 16 PPB		Cylindrical														
KRVE 16 X	KRVE 16 PPX																
KRVE 16 BX	KRVE 16 PPBX																
KR 16	KR 16 PP	16.000 .6299	+0/- .050 +0/- .002	11.000 .4331	0/-0.12 +0/-0.005	6.000 .2362	+0/- .012 +0/- .0005	16 .6	.60 .024	8.0 .315	28 1.1	500 19.7	N/A	N/A	N/A	5,500 1,236	7,900 1,776
KR 16 B	KR 16 PPB		Cylindrical														
KR 16 X	KR 16 PPX																
KR 16 BX	KR 16 PPBX																
KRE 16	KRE 16 PP	16.000 .6299	+0/- .050 +0/- .002	11.000 .4331	0/-0.12 +0/-0.005	6.000 .2362	+0/- .012 +0/- .0005	16 .6	.60 .024	8.0 .315	28 1.1	500 19.7	0.5 .02	7 0.27	9 .35	5,500 1,236	7,900 1,776
KRE 16 B	KRE 16 PPB		Cylindrical														
KRE 16 X	KRE 16 PPX																
KRE 16 BX	KRE 16 PPBX																
KRV 19	KRV 19 PP	19.000 .7480	+0/- .050 +0/- .002	11.000 .4331	+0/- .12 +0/- .005	8.000 .3150	+0/- .015 +0/- .0006	20 .8	.60 .024	10.0 .3937	32 1.3	500 19.7	N/A	N/A	N/A	5,500 1,236	7,900 1,776
KRV 19 B	KRV 19 PPB		Cylindrical														
KRV 19 X	KRV 19 PPX																
KRV 19 BX	KRV 19 PPBX																
KRVE 19	KRVE 19 PP	19.000 .7480	+0/- .050 +0/- .002	11.000 .4331	+0/- .12 +0/- .005	8.000 .3150	+0/- .015 +0/- .0006	20 .8	.60 .024	10.0 .3937	32 1.3	500 19.7	0.5 .02	9 0.35	11 .43	5,500 1,236	7,900 1,776
KRVE 19 B	KRVE 19 PPB		Cylindrical														
KRVE 19 X	KRVE 19 PPX																
KRVE 19 BX	KRVE 19 PPBX																

# Metric Stud Type Track Roller Bearings



B <sub>2</sub>	M <sub>1</sub>	M	SW	d <sub>1</sub>	r	HBD		G	M <sub>A</sub>	nDG	Mass	Designation	
Distance lub. hole to washer face	Diameter of lub. hole (shank)	Seat dia. for lub. accessories	Width of flats	Thrust washer outside diameter	Min. Fillet radius	Housing Bore Diameter		Thread Type	Max. tightening torque	Limiting Speed (Grease)	Bearing Weight	W/O Seals	With Seals
mm / inch													
(Ref)	(Ref)	(Ref)	(Ref)	(Ref)	(Ref)	Nom.	Tol.		Nm in-lb	RPM	kg lb		
-	-	3.1 .12	N/A	9 .354	.15 .0059	5.000 .1969	+.012/-0 +.0005/- 0	M5x0.8	2.2 19	20,000	.01 .02	MCFR 13	MCFR 13 S
		-	3.1 .12									MCFR 13 B	MCFR 13 SB
		3.1 .12	N/A									MCFR 13 X	MCFR 13 SX
		-	3.1 .12									MCFR 13 BX	MCFR 13 SBX
-	-	4 .16	N/A	12.5 .492	.15 .0059	6.000 .2362	+.012/-0 +.0005/- 0	M6x1	3 27	3,800	.02 .04	MCF 16	MCF 16 S
		-	4 .16									MCF 16 B	MCF 16 SB
		4 .16	N/A									MCF 16 X	MCF 16 SX
		-	4 .16									MCF 16 BX	MCF 16 SBX
-	-	4 .16	N/A	12.5 .492	.15 .0059	11.050 .4350	+.025/-0 +.0009/- 0	M6x1	3 27	3,800	.02 .04	MCFE 16	MCFE 16 S
		-	4 .16									MCFE 16 SB	
		4 .16	N/A									MCFE 16 SX	
		-	4 .16									MCFE 16 SBX	
-	-	4 .16	N/A	12.5 .492	.15 .0059	6.000 .2362	+.012/-0 +.0005/- 0	M6x1	3 27	14,000	.02 .04	MCFR 16	MCFR 16 S
		-	4 .16									MCFR 16 B	MCFR 16 SB
		4 .16	N/A									MCFR 16 X	MCFR 16 SX
		-	4 .16									MCFR 16 BX	MCFR 16 SBX
-	-	4 .16	N/A	12.5 .492	.15 .0059	11.050 .4350	+.012/-0 +.0005/- 0	M6x1	3 27	14,000	.02 .04	MCFRE 16	MCFRE 16 S
		-	4 .16									MCFRE 16 SB	
		4 .16	N/A									MCFRE 16 SX	
		-	4 .16									MCFRE 16 SBX	
-	-	4 .16	N/A	15 .59	.15 .0059	8.000 .3150	+.015/-0 +.0006/- 0	M8x1.25	8 71	3,100	.03 .07	MCF 19	MCF 19 S
		-	4 .16									MCF 19 B	MCF 19 SB
		4 .16	N/A									MCF 19 X	MCF 19 SX
		-	4 .16									MCF 19 BX	MCF 19 SBX
-	-	4 .16	N/A	15 .59	.15 .0059	13.050 .5138	+.025/-0 +.0009/- 0	M8x1.25	8 71	3,100	.03 .07	MCFE 19	MCFE 19 S
		-	4 .16									MCFE 19 SB	
		4 .16	N/A									MCFE 19 SX	
		-	4 .16									MCFE 19 SBX	

# Metric Cam Followers



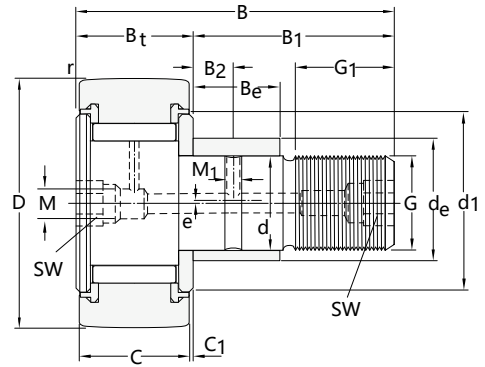
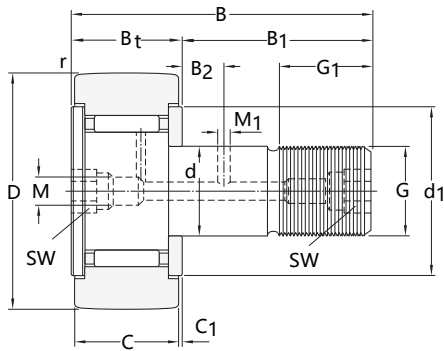
Designation		D		C		d		B <sub>t</sub>	C <sub>1</sub>	G <sub>1</sub>	B	R	e	Be	de	Fr	For
W/O Seals	With Seals	Outside Diameter		Outer Ring Width		Stud Diameter		Stud Length	Dist. outer ring face to washer face	Min. Thread Length	Total Length	Cylindrical Suffix X	Ecc	Locking collar width	Locking collar OD	Max. dynamic radial loads	Max. static radial loads
		mm / inch															
		Nom.	Tol.	Nom.	Tol.	Nom.	Tol.	(Ref)	(Ref)	(Ref)	(Ref)	Radius	(Ref)	+0/-0.15 +0.002/-0.006	(Ref)	N/lb	N/lb
KR 19	KR 19 PP	19.000 .7480	+0/-0.050 +0/-0.002	11.000 .4331	+0/-0.12 +0/-0.005	8.000 .3150	+0/-0.015 +0/-0.0006	20 .8	.60 .024	10.0 .3937	32 1.3	500 19.7	N/A	N/A	N/A	3,500 787	3,900 877
KR 19 B	KR 19 PPB		Cylindrical														
KR 19 X	KR 19 PPX																
KR 19 BX	KR 19 PPBX																
KRE 19	KRE 19 PP	19.000 .7480	+0/-0.050 +0/-0.002	11.000 .4331	+0/-0.12 +0/-0.005	8.000 .3150	+0/-0.015 +0/-0.0006	20 .8	.60 .024	10.0 .3937	32 1.3	500 19.7	0.5 .02	9 0.35	11 .43	3,500 787	3,900 877
KRE 19 B	KRE 19 PPB		Cylindrical														
KRE 19 X	KRE 19 PPX																
KRE 19 BX	KRE 19 PPBX																
KRV 22	KRV 22 PP	22.000 .8661	+0/-0.050 +0/-0.002	12.000 .4724	+0/-0.12 +0/-0.005	10.000 .3937	+0/-0.015 +0/-0.0006	23 .9	.60 .024	12.0 .47	36 1.4	500 19.7	N/A	N/A	N/A	6,300 1,416	9,100 2,046
KRV 22 B	KRV 22 PPB		Cylindrical														
KRV 22 X	KRV 22 PPX																
KRV 22 BX	KRV 22 PPBX																
KRVE 22	KRVE 22 PP	22.000 .8661	+0/-0.050 +0/-0.002	12.000 .4724	+0/-0.12 +0/-0.005	10.000 .3937	+0/-0.015 +0/-0.0006	23 .9	.60 .024	12.0 .47	36 1.4	500 19.7	0.5 .02	10 0.39	13 .51	6,300 1,416	9,100 2,046
KRVE 22 B	KRVE 22 PPB		Cylindrical														
KRVE 22 X	KRVE 22 PPX																
KRVE 22 BX	KRVE 22 PPBX																
KR 22	KR 22 PP	22.000 .8661	+0/-0.050 +0/-0.002	12.000 .4724	+0/-0.12 +0/-0.005	10.000 .3937	+0/-0.015 +0/-0.0006	23 .9	.60 .024	12.0 .47	36 1.4	500 19.7	N/A	N/A	N/A	5,100 1,147	6,200 1,394
KR 22 B	KR 22 PPB		Cylindrical														
KR 22 X	KR 22 PPX																
KR 22 BX	KR 22 PPBX																
KRE 22	KRE 22 PP	22.000 .8661	+0/-0.050 +0/-0.002	12.000 .4724	+0/-0.12 +0/-0.005	10.000 .3937	+0/-0.015 +0/-0.0006	23 .9	.60 .024	12.0 .47	36 1.4	500 19.7	0.5 .02	10 0.39	13 .51	5,100 1,147	6,200 1,394
KRE 22 B	KRE 22 PPB		Cylindrical														
KRE 22 X	KRE 22 PPX																
KRE 22 BX	KRE 22 PPBX																
KRV 22A	KRV 22A PP	22.000 .8661	+0/-0.050 +0/-0.002	12.000 .4724	+0/-0.12 +0/-0.005	10.000 .3937	+0/-0.015 +0/-0.0006	23 .9	.60 .024	13.0 .51	36 1.4	500 19.7	N/A	N/A	N/A	6,300 1,416	9,100 2,046
KRV 22A B	KRV 22A PPB		Cylindrical														
KRV 22A X	KRV 22A PPX																
KRV 22A BX	KRV 22A PPBX																

## Metric Stud Type Track Roller Bearings



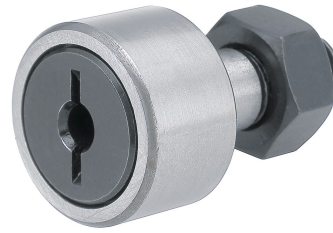
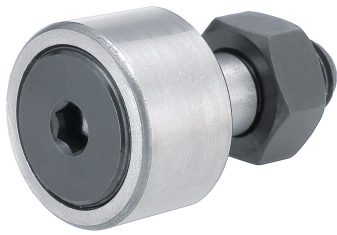
B <sub>2</sub>	M <sub>1</sub>	M	SW	d <sub>1</sub>	r	HBD		G	M <sub>A</sub>	nDG	Mass	Designation	
Distance lub. hole to washer face	Diameter of lub. hole (shank)	Seat dia. for lub. accessories	Width of flats	Thrust washer outside diameter	Min. Fillet radius	Housing Bore Diameter		Thread Type	Max. tightening torque	Limiting Speed (Grease)	Bearing Weight	W/O Seals	With Seals
mm / inch													
(Ref)	(Ref)	(Ref)	(Ref)	(Ref)	(Ref)	Nom.	Tol.		Nm in-lb	RPM	kg lb		
-	-	4 .16	N/A	15 .59	.15 .0059	8.000 .3150	+.015/-0 +.0006/- 0	M8x1.25	8 71	11,000	.03 .07	MCFR 19	MCFR 19 S
		-	4 .16									MCFR 19 B	MCFR 19 SB
		4 .16	N/A									MCFR 19 X	MCFR 19 SX
		-	4 .16									MCFR 19 BX	MCFR 19 SBX
-	-	4 .16	N/A	15 .59	.15 .0059	13.050 .5138	+.015/-0 +.0006/- 0	M8x1.25	8 71	11,000	.03 .07	MCFRE 19	MCFRE 19 S
		-	4 .16									MCFRE 19 SB	MCFRE 19 SB
		4 .16	N/A									MCFRE 19 SX	MCFRE 19 SX
		-	4 .16									MCFRE 19 SBX	MCFRE 19 SBX
-	-	4 .16	N/A	17.5 .689	.3 .012	10.000 .3937	+.015/-0 +.0006/- 0	M10x1	15 133	2,600	.04 .09	MCF 22	MCF 22 S
		-	4 .16									MCF 22 B	MCF 22 SB
		4 .16	N/A									MCF 22 X	MCF 22 SX
		-	4 .16									MCF 22 BX	MCF 22 SBX
-	-	4 .16	N/A	17.5 .689	.3 .012	13.050 .5138	+0.025/-0 +0.0009/- 0	M10x1	15 133	2,600	.04 .09	MCFE 22	MCFE 22 S
		-	4 .16									MCFE 22 SB	MCFE 22 SB
		4 .16	N/A									MCFE 22 SX	MCFE 22 SX
		-	4 .16									MCFE 22 SBX	MCFE 22 SBX
-	-	4 .16	N/A	17.5 .689	.3 .012	10.000 .3937	+.015/-0 +.0006/- 0	M10x1	15 133	8,000	.04 .09	MCFR 22	MCFR 22 S
		-	4 .16									MCFR 22 B	MCFR 22 SB
		4 .16	N/A									MCFR 22 X	MCFR 22 SX
		-	4 .16									MCFR 22 BX	MCFR 22 SBX
-	-	4 .16	N/A	17.5 .689	.3 .012	13.050 .5138	+0.025/-0 +0.0009/- 0	M10x1	15 133	8,000	.04 .09	MCFRE 22	MCFRE 22 S
		-	4 .16									MCFRE 22 SB	MCFRE 22 SB
		4 .16	N/A									MCFRE 22 SX	MCFRE 22 SX
		-	4 .16									MCFRE 22 SBX	MCFRE 22 SBX
-	-	4 .16	N/A	15 .59	.5 .02	10.000 .3937	+.015/-0 +.0006/- 0	M10x1.25	15 133	2,600	.04 .09	MCF 22A	MCF 22A S
		-	5 .2									MCF 22A B	MCF 22A SB
		4 .16	N/A									MCF 22A X	MCF 22A SX
		-	5 .2									MCF 22A BX	MCF 22A SBX

# Metric Cam Followers



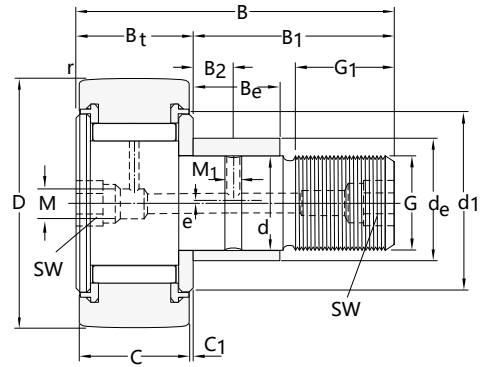
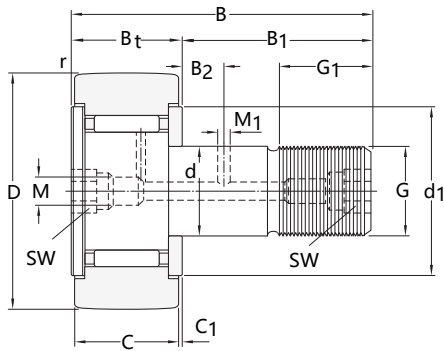
Designation		D	C		d		B <sub>t</sub>	C <sub>1</sub>	G <sub>1</sub>	B	R	e	Be	de	Fr	For	
W/O Seals	With Seals	Outside Diameter		Outer Ring Width		Stud Diameter		Stud Length	Dist. outer ring face to washer face	Min. Thread Length	Total Length	Cylindrical Suffix X	Ecc	Locking collar width	Locking collar OD	Max. dynamic radial loads	Max. static radial loads
		mm / inch															
		Nom.	Tol.	Nom.	Tol.	Nom.	Tol.	(Ref)	(Ref)	(Ref)	(Ref)	Radius	(Ref)	+0/--.15 +.002/--.006	(Ref)	(Ref)	N/lb
KRVE 22A	KRVE 22A PP	22.000 .8661	+0/--.050 +0/--.002	12.000 .4724	+0/--.12 +0/--.005	10.000 .3937	+0/--.015 +0/--.0006	23 .9	.60 .024	13.0 .51	36 1.4	500 19.7	0.5 .02	10 0.39	13 .51	6,300 1,416	9,100 2,046
	KRVE 22A PPB		Cylindrical														
	KRVE 22A PPX																
	KRVE 22A PPBX																
KR 22A	KR 22A PP	22.000 .8661	+0/--.050 +0/--.002	12.000 .4724	+0/--.12 +0/--.005	10.000 .3937	+0/--.015 +0/--.0006	23 .9	.60 .024	13.0 .51	36 1.4	500 19.7	N/A	N/A	N/A	5,100 1,147	6,200 1,394
	KR 22A B		Cylindrical														
	KR 22A X																
	KR 22A BX																
KRE 22A	KRE 22A PP	22.000 .8661	+0/--.050 +0/--.002	12.000 .4724	+0/--.12 +0/--.005	10.000 .3937	+0/--.015 +0/--.0006	23 .9	.60 .024	13.0 .51	36 1.4	500 19.7	0.5 .02	10 0.39	13 .51	6,300 1,416	9,100 2,046
	KRE 22A PPB		Cylindrical														
	KRE 22A PPX																
	KRE 22A PPBX																
KRV 26	KRV 26 PP	26.000 1.0236	+0/--.050 +0/--.002	12.000 .4724	+0/--.12 +0/--.005	10.000 .3937	+0/--.015 +0/--.0006	23 .9	.60 .024	12.0 .47	36 1.4	500 19.7	N/A	N/A	N/A	7,300 1,641	11,300 2,540
	KRV 26 B		Cylindrical														
	KRV 26 X																
	KRV 26 BX																
KRVE 26	KRVE 26 PP	26.000 1.0236	+0/--.050 +0/--.002	12.000 .4724	+0/--.12 +0/--.005	10.000 .3937	+0/--.015 +0/--.0006	23 .9	.60 .024	12.0 .47	36 1.4	500 19.7	0.5 .02	10 0.39	13 .51	6,300 1,416	9,100 2,046
	KRVE 26 PPB		Cylindrical														
	KRVE 26 PPX																
	KRVE 26 PPBX																
KR 26	KR 26 PP	26.000 1.0236	+0/--.050 +0/--.002	12.000 .4724	+0/--.12 +0/--.005	10.000 .3937	+0/--.015 +0/--.0006	23 .9	.60 .024	12.0 .47	36 1.4	500 19.7	N/A	N/A	N/A	5,100 1,147	6,200 1,394
	KR 26 B		Cylindrical														
	KR 26 X																
	KR 26 BX																
KRE 26	KRE 26 PP	26.000 1.0236	+0/--.050 +0/--.002	12.000 .4724	+0/--.12 +0/--.005	10.000 .3937	+0/--.015 +0/--.0006	23 .9	.60 .024	12.0 .47	36 1.4	500 19.7	0.5 .02	10 0.39	13 .51	6,300 1,416	9,100 2,046
	KRE 26 PPB		Cylindrical														
	KRE 26 PPX																
	KRE 26 PPBX																

## Metric Stud Type Track Roller Bearings



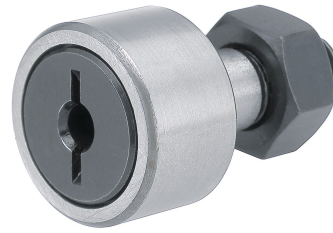
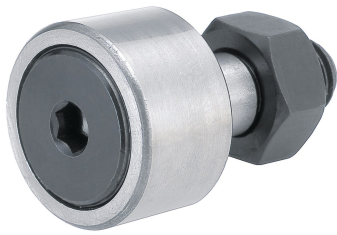
B <sub>2</sub>	M <sub>1</sub>	M	SW	d <sub>1</sub>	r	HBD		G	M <sub>A</sub>	nDG	Mass	Designation	
Distance lub. hole to washer face	Diameter of lub. hole (shank)	Seat dia. for lub. accessories	Width of flats	Thrust washer outside diameter	Min. Fillet radius	Housing Bore Diameter		Thread Type	Max. tightening torque	Limiting Speed (Grease)	Bearing Weight	W/O Seals	With Seals
mm / inch													
(Ref)	(Ref)	(Ref)	(Ref)	(Ref)	(Ref)	Nom.	Tol.		Nm in-lb	RPM	kg lb		
-	-	4 .16	N/A	15 .59	.5 .02	13.050 .5138	+0.025/-0 +0.0009/- 0	M10x1.25	15 133	2,600	.04 .09	MCFE 22A	MCFE 22A S
		-	5 .2										MCFE 22A SB
		4 .16	N/A										MCFE 22A SX
		-	5 .2										MCFE 22A SBX
-	-	4 .16	N/A	15 .59	.5 .02	10.000 .3937	+0.015/-0 +0.0006/- 0	M10x1.25	15 133	8,000	.04 .09	MCFR 22A	MCFR 22A S
		-	5 .2										MCFR 22A B
		4 .2	N/A										MCFR 22A X
		-	5 .2										MCFR 22A BX
-	-	4 .16	N/A	15 .59	.5 .02	13.050 .5138	+0.025/-0 +0.0009/- 0	M10x1.25	15 133	8,000	.04 .09	MCFRE 22A	MCFRE 22A S
		-	5 .2										MCFRE 22A SB
		4 .16	N/A										MCFRE 22A SX
		-	5 .2										MCFRE 22A SBX
-	-	4 .16	N/A	17.5 .689	.3 .012	10.000 .3937	+0.015/-0 +0.0006/- 0	M10x1	15 133	2,600	.05 .11	MCF 26	MCF 26 S
		-	4 .16										MCF 26 B
		4 .16	N/A										MCF 26 X
		-	4 .16										MCF 26 BX
-	-	4 .16	N/A	17.5 .689	.3 .012	13.050 .5138	+0.025/-0 +0.0009/- 0	M10x1	15 133	2,600	.05 .11	MCFE 26	MCFE 26 S
		-	4 .16										MCFE 26 SB
		4 .16	N/A										MCFE 26 SX
		-	4 .16										MCFE 26 SBX
-	-	4 .16	N/A	17.5	.3 .012	10.000 .3937	+0.015/-0 +0.0006/- 0	M10x1	15 133	8,000	.05 .11	MCFR 26	MCFR 26 S
		-	4 .16										MCFR 26 B
		4 .16	N/A										MCFR 26 X
		-	4 .16										MCFR 26 BX
-	-	4 .16	N/A	17.5	.3 .012	13.050 .5138	+0.025/-0 +0.0009/- 0	M10x1	15 133	8,000	.05 .11	MCFRE 26	MCFRE 26 S
		-	4 .16										MCFRE 26 SB
		4 .16	N/A										MCFRE 26 SX
		-	4 .16										MCFRE 26 SBX

# Metric Cam Followers



Designation		D	C		d		B <sub>t</sub>	C <sub>1</sub>	G <sub>1</sub>	B	R	e	Be	de	Fr	For	
W/O Seals	With Seals	Outside Diameter		Outer Ring Width		Stud Diameter		Stud Length	Dist. outer ring face to washer face	Min. Thread Length	Total Length	Cylindrical Suffix X	Ecc	Locking collar width	Locking collar OD	Max. dynamic radial loads	Max. static radial loads
		mm / inch															
		Nom.	Tol.	Nom.	Tol.	Nom.	Tol.	(Ref)	(Ref)	(Ref)	(Ref)	Radius	(Ref)	+0/-0.15 +0.002/-0.006	(Ref)	(Ref)	N/lb
KRV 26A	KRV 26A PP	26.000 1.0236	+0/-0.050 +0/-0.002	12.000 .4724	+0/-0.12 +0/-0.005	10.000 .3937	+0/-0.015 +0/-0.0006	23 .9	.60 .024	13.0 .51	36 1.4	500 19.7	N/A	N/A	N/A	7,300 1,641	11,300 2,540
KRV 26A B	KRV 26A PPB		Cylindrical														
KRV 26A X	KRV 26A PPX																
KRV 26A BX	KRV 26A PPBX																
KRVE 26A	KRVE 26A PP	26.000 1.0236	+0/-0.050 +0/-0.002	12.000 .4724	+0/-0.12 +0/-0.005	10.000 .3937	+0/-0.015 +0/-0.0006	23 .9	.60 .024	13.0 .51	36 1.4	500 19.7	0.5 .02	10 0.39	13 .51	5,100 1,147	6,200 1,394
KRVE 26A B	KRVE 26A PPB		Cylindrical														
KRVE 26A X	KRVE 26A PPX																
KRVE 26A BX	KRVE 26A PPBX																
KRE 26A	KRE 26A PP	26.000 1.0236	+0/-0.050 +0/-0.002	12.000 .4724	+0/-0.12 +0/-0.005	10.000 .3937	+0/-0.015 +0/-0.0006	23 .9	.60 .024	13.0 .51	36 1.4	500 19.7	0.5 .02	10 0.39	13 .51	5,100 1,147	6,200 1,394
KRE 26A B	KRE 26A PPB		Cylindrical														
KRE 26A X	KRE 26A PPX																
KRE 26A BX	KRE 26A PPBX																
KRV 30	KRV 30 PP	30.000 1.1811	+0/-0.050 +0/-0.002	14.000 .5512	+0/-0.12 +0/-0.005	12.000 .4724	+0/-0.018 +0/-0.0007	25 .9	.60 .024	13.0 .51	40 1.6	500 19.7	N/A	N/A	N/A	9,500 2,136	14,600 3,282
KRV 30 B	KRV 30 PPB		Cylindrical														
KRV 30 X	KRV 30 PPX																
KRV 30 BX	KRV 30 PPBX																
KRVE 30	KRVE 30 PP	30.000 1.1811	+0/-0.050 +0/-0.002	14.000 .5512	+0/-0.12 +0/-0.005	12.000 .4724	+0/-0.018 +0/-0.0007	25 .9	.60 .024	13.0 .51	40 1.6	500 19.7	0.5 .02	11 0.43	15 .59	9,500 2,136	14,600 3,282
KRVE 30 B	KRVE 30 PPB		Cylindrical														
KRVE 30 X	KRVE 30 PPX																
KRVE 30 BX	KRVE 30 PPBX																
KR 30	KR 30 PP	30.000 1.1811	+0/-0.050 +0/-0.002	14.000 .5512	+0/-0.12 +0/-0.005	12.000 .4724	+0/-0.018 +0/-0.0007	25 .9	.60 .024	13.0 .51	40 1.6	500 19.7	N/A	N/A	N/A	6,800 1,529	8,400 1,888
KR 30 B	KR 30 PPB		Cylindrical														
KR 30 X	KR 30 PPX																
KR 30 BX	KR 30 PPBX																

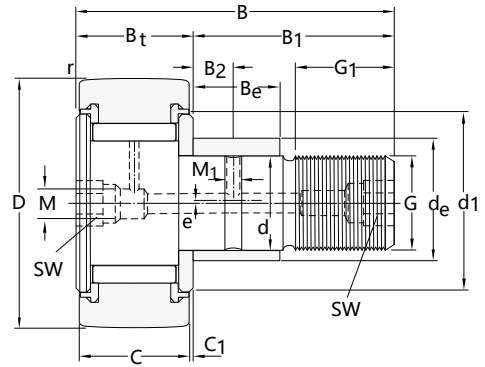
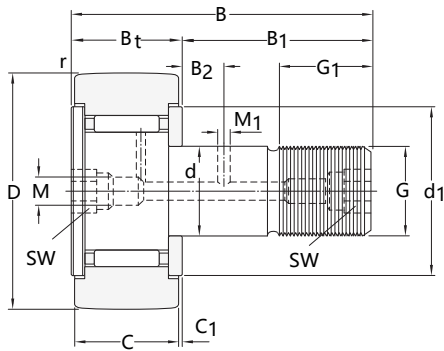
## Metric Stud Type Track Roller Bearings



B <sub>2</sub>	M <sub>1</sub>	M	SW	d <sub>1</sub>	r	HBD		G	M <sub>A</sub>	nDG	Mass	Designation	
Distance lub. hole to washer face	Diameter of lub. hole (shank)	Seat dia. for lub. accessories	Width of flats	Thrust washer outside diameter	Min. Fillet radius	Housing Bore Diameter		Thread Type	Max. tightening torque	Limiting Speed (Grease)	Bearing Weight	W/O Seals	With Seals
mm / inch													
(Ref)	(Ref)	(Ref)	(Ref)	(Ref)	(Ref)	Nom.	Tol.		Nm in-lb	RPM	kg lb		
-	-	4 .16	N/A	19 .7	.3 .012	10.000 .3937	+.015/-0 +0.0006/- 0	M10x1.25	22 195	2,600	.05 .11	MCF 26A	MCF 26A S
		-	5 .2									MCF 26A B	MCF 26A SB
		4 .16	N/A									MCF 26A X	MCF 26A SX
		-	5 .2									MCF 26A BX	MCF 26A SBX
-	-	4 .16	N/A	19 .7	.3 .012	13.050 .5138	+0.025/-0 +0.0009/- 0	M10x1.25	22 195	2,600	.05 .11	MCFE 26A	MCFE 26A S
		-	5 .2									MCFE 26A SB	MCFE 26A SX
		4 .16	N/A									MCFE 26A X	MCFE 26A SBX
		-	5 .2									MCFE 26A BX	MCFE 26A SBX
-	-	4 .16	N/A	19 .7	.3 .012	10.000 .3937	+.015/-0 +0.0006/- 0	M10x1.25	22 195	8,000	.05 .11	MCFR 26A	MCFR 26A S
		-	5 .2									MCFR 26A B	MCFR 26A SB
		4 .16	N/A									MCFR 26A X	MCFR 26A SX
		-	5 .2									MCFR 26A BX	MCFR 26A SBX
-	-	4 .16	N/A	19 .7	.3 .012	13.050 .5138	+0.025/-0 +0.0009/- 0	M10x1.25	22 195	8,000	.05 .11	MCFRE 26A	MCFRE 26A S
		-	5 .2									MCFRE 26A SB	MCFRE 26A SX
		4 .16	N/A									MCFRE 26A X	MCFRE 26A SBX
		-	5 .2									MCFRE 26A BX	MCFRE 26A SBX
6 .236	3 .118	6 .24	N/A	23	.6 .236	12.000 .4724	+.018/-0 +0.0007/- 0	M12x1.5	22 195	2,100	.09 .20	MCF 30	MCF 30 S
		-	6 .24									MCF 30 B	MCF 30 SB
		6 .24	N/A									MCF 30 X	MCF 30 SX
		-	6 .24									MCF 30 BX	MCF 30 SBX
6 .236	3 .118	6 .24	N/A	23	.6 .236	15.050 .5925	+0.025/-0 +0.0009/- 0	M12x1.5	22 195	2,100	.09 .20	MCFE 30	MCFE 30 S
		-	6 .24									MCFE 30 SB	MCFE 30 SX
		6 .24	N/A									MCFE 30 X	MCFE 30 SBX
		-	6 .24									MCFE 30 BX	MCFE 30 SBX
6 .236	3 .118	6 .24	N/A	23	.6 .236	12.000 .4724	+.018/-0 +0.0007/- 0	M12x1.5	22 195	5,500	.09 .20	MCFR 30	MCFR 30 S
		-	6 .24									MCFR 30 B	MCFR 30 SB
		6 .24	N/A									MCFR 30 X	MCFR 30 SX
		-	6 .24									MCFR 30 BX	MCFR 30 SBX

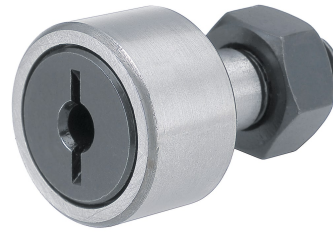
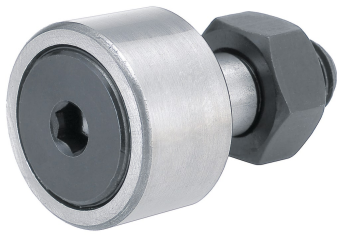


# Metric Cam Followers



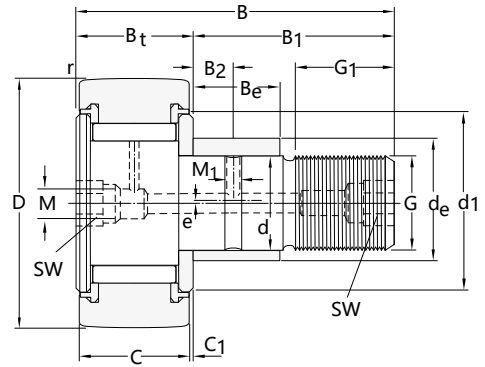
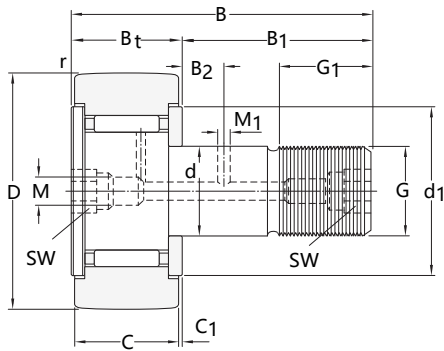
Designation		D		C		d		B <sub>t</sub>	C <sub>1</sub>	G <sub>1</sub>	B	R	e	Be	de	Fr	For
W/O Seals	With Seals	Outside Diameter		Outer Ring Width		Stud Diameter		Stud Length	Dist. outer ring face to washer face	Min. Thread Length	Total Length	Cylindrical Suffix X	Ecc	Locking collar width	Locking collar OD	Max. dynamic radial loads	Max. static radial loads
		mm / inch															
		Nom.	Tol.	Nom.	Tol.	Nom.	Tol.	(Ref)	(Ref)	(Ref)	(Ref)	Radius	(Ref)	+0/- .15 +.002/- .006	(Ref)	N/lb	N/lb
KRE 30	KRE 30 PP	30.000 1.1811	+0/- .050 +0/- .002	14.000 .5512	+0/- .12 +0/- .005	12.000 .4724	+0/- .018 +0/- .0007	25 .9	.60 .024	13.0 .51	40 1.6	500 19.7	0.5 .02	11 0.43	15 .59	6,800 1,529	8,400 1,888
	KRE 30 PPB		Cylindrical														
	KRE 30 PPX																
	KRE 30 PPBX																
KRV 32	KRV 32 PP	32.000 1.2598	+0/- .050 +0/- .002	14.000 .5512	+0/- .12 +0/- .005	12.000 .4724	+0/- .018 +0/- .0007	25 .9	.60 .024	13.0 .51	40 1.6	500 19.7	N/A	N/A	N/A	10,000 2,248	15,800 3,552
	KRV 32 B		Cylindrical														
	KRV 32 X																
	KRV 32 BX																
KRVE 32	KRVE 32 PP	32.000 1.2598	+0/- .050 +0/- .002	14.000 .5512	+0/- .12 +0/- .005	12.000 .4724	+0/- .018 +0/- .0007	25 .9	.60 .024	13.0 .51	40 1.6	500 19.7	0.5 .02	11 0.43	15 .59	7,100 1,596	9,000 2,023
	KRVE 32 PPB		Cylindrical														
	KRVE 32 PPX																
	KRVE 32 PPBX																
KR 32	KR 32 PP	32.000 1.2598	+0/- .050 +0/- .002	14.000 .5512	+0/- .12 +0/- .005	12.000 .4724	+0/- .018 +0/- .0007	25 .9	.60 .024	13.0 .51	40 1.6	500 19.7	N/A	N/A	N/A	12,800 2,878	23,000 5,171
	KR 32 B		Cylindrical														
	KR 32 X																
	KR 32 BX																
KRE 32	KRE 32 PP	32.000 1.2598	+0/- .050 +0/- .002	14,000 .5512	+0/- .12 +0/- .005	12,000 .4724	+0/- .018 +0/- .0007	25 .9	.60 .024	13.0 .51	40 1.6	500 19.7	0.5 .02	11 0.43	15 .59	12,800 2,878	23,000 5,171
	KRE 32 PPB		Cylindrical														
	KRE 32 PPX																
	KRE 32 PPBX																
KRV 35	KRV 35 PP	35.000 1.3780	+0/- .050 +0/- .002	18.000 .7087	+0/- .12 +0/- .005	16.000 .6299	+0/- .018 +0/- .0007	32.5 1.28	.80 .031	17.0 .67	52 2.047	500 19.7	N/A	N/A	N/A	12,800 2,878	23,000 5,171
	KRV 35 B		Cylindrical														
	KRV 35 X																
	KRV 35 BX																
KRVE 35	KRVE 35 PP	35.000 1.3780	+0/- .050 +0/- .002	18.000 .7087	+0/- .12 +0/- .005	16.000 .6299	+0/- .018 +0/- .0007	32.5 1.28	.80 .031	17.0 .67	52 2.047	500 19.7	1 .04	14 0.55	20 .79	12,800 2,878	23,000 5,171
	KRVE 35 PPB		Cylindrical														
	KRVE 35 PPX																
	KRVE 35 PPBX																

## Metric Stud Type Track Roller Bearings



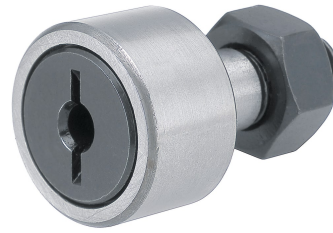
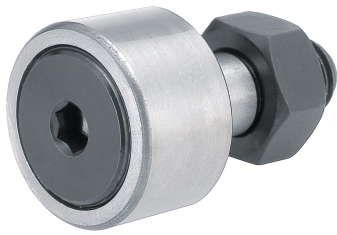
B <sub>2</sub>	M <sub>1</sub>	M	SW	d <sub>1</sub>	r	HBD		G	M <sub>A</sub>	nDG	Mass	Designation	
Distance lub. hole to washer face	Diameter of lub. hole (shank)	Seat dia. for lub. accessories	Width of flats	Thrust washer outside diameter	Min. Fillet radius	Housing Bore Diameter		Thread Type	Max. tightening torque	Limiting Speed (Grease)	Bearing Weight	W/O Seals	With Seals
mm / inch													
(Ref)	(Ref)	(Ref)	(Ref)	(Ref)	(Ref)	Nom.	Tol.		Nm in-lb	RPM	kg lb		
6 .236	3 .118	6 .24	N/A	23	.6 .236	15.050 .5925	+0.025/-0 +0.0009/- 0	M12x1.5	22 195	5,500	.09 .20	MCFRE 30	MCFRE 30 S
		-	6 .24										MCFRE 30 SB
		6 .24	N/A										MCFRE 30 SX
		-	6 .24										MCFRE 30 SBX
6 .236	3 .118	6 .24	N/A	23	.6 .236	12.000 .4724	+0.018/-0 +0.0007/- 0	M12x1.5	58 504	2,100	.10 .22	MCF 32	MCF 32 S
		-	6 .24										MCF 32 SB
		6 .24	N/A										MCF 32 SX
		-	6 .24										MCF 32 SBX
6 .236	3 .118	6 .24	N/A	23	.6 .236	15.050 .5925	+0.025/-0 +0.0009/- 0	M12x1.5	58 504	2,100	.10 .22	MCFE 32	MCFE 32 S
		-	6 .24										MCFE 32 SB
		6 .24	N/A										MCFE 32 SX
		-	6 .24										MCFE 32 SBX
6 .236	3 .118	6 .24	N/A	23	.6 .236	12.000 .4724	+0.018/-0 +0.0007/- 0	M12x1.5	58 504	5,500	.10 .22	MCFR 32	MCFR 32 S
		-	6 .24										MCFR 32 SB
		6 .24	N/A										MCFR 32 SX
		-	6 .24										MCFR 32 SBX
6 .236	3 .118	6 .24	N/A	23	.6 .236	15.050 .5925	+0.025/-0 +0.0009/- 0	M12x1.5	58 504	5,500	.10 .22	MCFRE 32	MCFRE 32 S
		-	6 .24										MCFRE 32 SB
		6 .24	N/A										MCFRE 32 SX
		-	6 .24										MCFRE 32 SBX
8 .315	3 .118	6 .24	N/A	27.6	.6 .236	16.000 .6299	+0.018/-0 +0.0007/- 0	M16x1.5	87 752	1,600	.16 .35	MCF 35	MCF 35 S
		-	8 .31										MCF 35 SB
		6 .24	N/A										MCF 35 SX
		-	8 .31										MCF 35 SBX
8 .315	3 .118	6 .24	N/A	27.6	.6 .236	20.050 .7894	+0.025/-0 +0.0009/- 0	M16x1.5	87 752	1,600	.16 .35	MCFE 35	MCFE 35 S
		-	8 .31										MCFE 35 SB
		6 .24	N/A										MCFE 35 SX
		-	8 .31										MCFE 35 SBX

# Metric Cam Followers



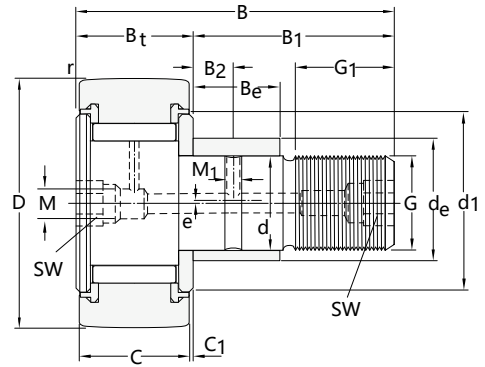
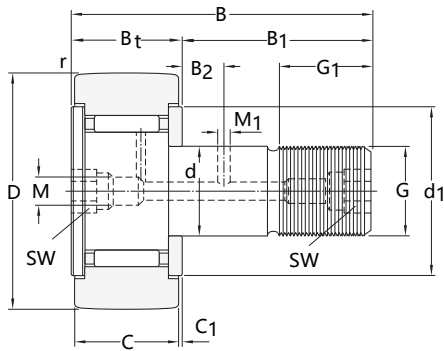
Designation		D	C		d		B <sub>t</sub>	C <sub>1</sub>	G <sub>1</sub>	B	R	e	Be	de	Fr	For	
W/O Seals	With Seals	Outside Diameter		Outer Ring Width		Stud Diameter		Stud Length	Dist. outer ring face to washer face	Min. Thread Length	Total Length	Cylindrical Suffix X	Ecc	Locking collar width	Locking collar OD	Max. dynamic radial loads	Max. static radial loads
		mm / inch															
		Nom.	Tol.	Nom.	Tol.	Nom.	Tol.	(Ref)	(Ref)	(Ref)	(Ref)	Radius	(Ref)	+0/- .15 +.002/- .006	(Ref)	(Ref)	N/lb
KR 35	KR 35 PP	35.000 1.3780	+0/- .050 +0/- .002	18.000 .7087	+0/- .12 +0/- .005	16.000 .6299	+0/- .018 +0/- .0007	32.5 1.28	.80 .031	17.0 .67	52 2.047	500 19.7	N/A	N/A	N/A	9,700 2,181	14,100 3,170
KR 35 B	KR 35 PPB		+0/- .011 +0/- .0004									Cylindrical					
KR 35 X	KR 35 PPX																
KR 35 BX	KR 35 PPBX																
KRE 35	KRE 35 PP	35.000 1.3780	+0/- .050 +0/- .002	18.000 .7087	+0/- .12 +0/- .005	16.000 .6299	+0/- .018 +0/- .0007	32.5 1.28	.80 .031	17.0 .67	52 2.047	500 19.7	1 .04	14 0.55	20 .79	9,700 2,181	14,100 3,170
KRE 35 B	KRE 35 PPB		+0/- .011 +0/- .0004									Cylindrical					
KRE 35 PPX																	
KRE 35 PPBX																	
KRV 40	KRV 40 PP	40.000 1.5748	+0/- .050 +0/- .002	20.000 .7874	+0/- .12 +0/- .005	18.000 .7087	+0/- .018 +0/- .0007	36.5 1.44	.80 .031	19.0 .75	58 2.3	500 19.7	N/A	N/A	N/A	14,800 4,631	26,500 5,957
KRV 40 B	KRV 40 PPB		+0/- .011 +0/- .0004									Cylindrical					
KRV 40 X	KRV 40 PPX																
KRV 40 BX	KRV 40 PPBX																
KRVE 40	KRVE 40 PP	40.000 1.5748	+0/- .050 +0/- .002	20.000 .7874	+0/- .12 +0/- .005	18.000 .7087	+0/- .018 +0/- .0007	36.5 1.44	.80 .031	19.0 .75	58 2.3	500 19.7	1 .04	16 0.63	22 .87	14,800 4,631	26,500 5,957
KRVE 40 B	KRVE 40 PPB		+0/- .011 +0/- .0004									Cylindrical					
KRVE 40 PPX																	
KRVE 40 PPBX																	
KR 40	KR 40 PP	40.000 1.5748	+0/- .050 +0/- .002	20.000 .7874	+0/- .12 +0/- .005	18.000 .7087	+0/- .018 +0/- .0007	36.5 1.44	.80 .031	19.0 .75	58 2.3	500 19.7	N/A	N/A	N/A	10,900 2,450	15,500 3,485
KR 40 B	KR 40 PPB		+0/- .011 +0/- .0004									Cylindrical					
KR 40 X	KR 40 PPX																
KR 40 BX	KR 40 PPBX																
KRE 40	KRE 40 PP	40.000 1.5748	+0/- .050 +0/- .002	20.000 .7874	+0/- .12 +0/- .005	18.000 .7087	+0/- .018 +0/- .0007	36.5 1.44	.80 .031	19.0 .75	58 2.3	500 19.7	1 .04	16 0.63	22 .87	10,900 2,450	15,500 3,485
KRE 40 B	KRE 40 PPB		+0/- .011 +0/- .0004									Cylindrical					
KRE 40 PPX																	
KRE 40 PPBX																	
KRV 40A	KRV 40A PP	40.000 1.5748	+0/- .050 +0/- .002	20.000 .7874	+0/- .12 +0/- .005	18.000 .7087	+0/- .018 +0/- .0007	37 1.4	.80 .031	20.0 .79	58 2.3	500 19.7	N/A	N/A	N/A	14,800 4,631	26,500 5,957
KRV 40A B	KRV 40A PPB		+0/- .011 +0/- .0004									Cylindrical					
KRV 40A X	KRV 40A PPX																
KRV 40A BX	KRV 40A PPBX																

## Metric Stud Type Track Roller Bearings



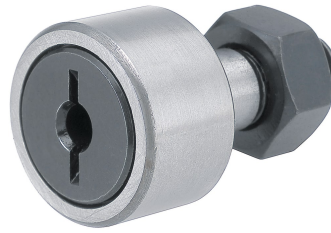
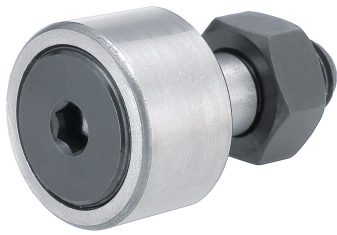
B <sub>2</sub>	M <sub>1</sub>	M	SW	d <sub>1</sub>	r	HBD		G	M <sub>A</sub>	nDG	Mass	Designation	
Distance lub. hole to washer face	Diameter of lub. hole (shank)	Seat dia. for lub. accessories	Width of flats	Thrust washer outside diameter	Min. Fillet radius	Housing Bore Diameter		Thread Type	Max. tightening torque	Limiting Speed (Grease)	Bearing Weight	W/O Seals	With Seals
mm / inch													
(Ref)	(Ref)	(Ref)	(Ref)	(Ref)	(Ref)	Nom.	Tol.		Nm in-lb	RPM	kg lb		
8 .315	3 .118	6 .24	N/A	27.6	.6 .236	16.000 .6299	+.018/-0 +0.0007/- 0	M16x1.5	87 752	3,600	.16 .35	MCFR 35	MCFR 35 S
		-	8 .31									MCFR 35 B	MCFR 35 SB
		6 .24	N/A									MCFR 35 X	MCFR 35 SX
		-	8 .31									MCFR 35 BX	MCFR 35 SBX
8 .315	3 .118	6 .24	N/A	27.6	.6 .236	20.050 .7894	+0.025/-0 +0.0009/- 0	M16x1.5	87 752	3,600	.16 .35	MCFRE 35	MCFRE 35 S
		-	8 .31									MCFRE 35 SB	MCFRE 35 SB
		6 .24	N/A									MCFRE 35 SX	MCFRE 35 SX
		-	8 .31									MCFRE 35 SBX	MCFRE 35 SBX
8 .315	3 .118	6 .24	N/A	31.5	1.0 0.039	18.000 .7087	+.018/-0 +0.0007/- 0	M18x1.5	87 752	1,400	.25 .55	MCF 40	MCF 40 S
		-	8 .31									MCF 40 B	MCF 40 SB
		6 .24	N/A									MCF 40 X	MCF 40 SX
		-	8 .31									MCF 40 BX	MCF 40 SBX
8 .315	3 .118	6 .24	N/A	31.5	1.0 0.039	22.050 .8681	+0.025/-0 +0.0009/- 0	M18x1.5	87 752	1,400	.25 .55	MCFE 40	MCFE 40 S
		-	8 .31									MCFE 40 SB	MCFE 40 SB
		6 .24	N/A									MCFE 40 SX	MCFE 40 SX
		-	8 .31									MCFE 40 SBX	MCFE 40 SBX
8 .315	3 .118	6 .24	N/A	31.5	1.0 0.039	18.000 .7087	+.018/-0 +0.0007/- 0	M18x1.5	87 752	2,900	.25 .55	MCFR 40	MCFR 40 S
		-	8 .31									MCFR 40 B	MCFR 40 SB
		6 .24	N/A									MCFR 40 X	MCFR 40 SX
		-	8 .31									MCFR 40 BX	MCFR 40 SBX
8 .315	3 .118	6 .24	N/A	31.5	1.0 0.039	22.050 .8681	+0.025/-0 +0.0009/- 0	M18x1.5	87 752	2,900	.25 .55	MCFRE 40	MCFRE 40 S
		-	8 .31									MCFRE 40 SB	MCFRE 40 SB
		6 .24	N/A									MCFRE 40 SX	MCFRE 40 SX
		-	8 .31									MCFRE 40 SBX	MCFRE 40 SBX
10 .394	3 .118	6 .24	N/A	27 1.1	1.0 0.039	18.000 .7087	+.018/-0 +0.0007/- 0	M18x1.5	118 1,044	1,400	.25 .55	MCF 40A	MCF 40A S
		-	8 .31									MCF 40A B	MCF 40A SB
		6 .24	N/A									MCF 40A X	MCF 40A SX
		-	8 .31									MCF 40A BX	MCF 40A SBX

# Metric Cam Followers



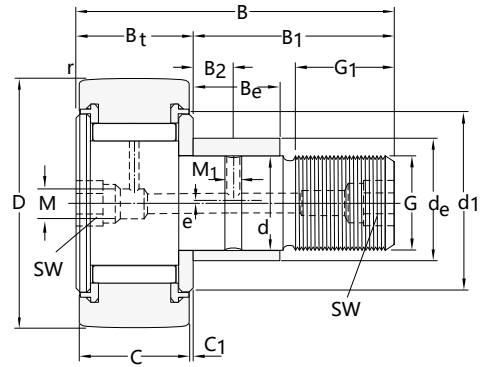
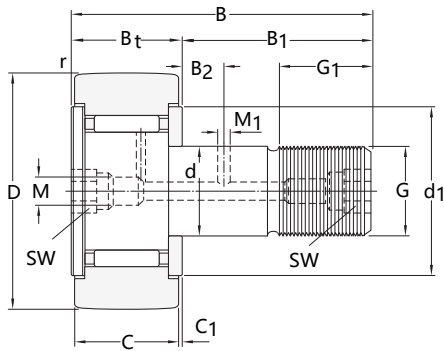
Designation		D		C		d		B <sub>t</sub>	C <sub>1</sub>	G <sub>1</sub>	B	R	e	Be	de	Fr	For
W/O Seals	With Seals	Outside Diameter		Outer Ring Width		Stud Diameter		Stud Length	Dist. outer ring face to washer face	Min. Thread Length	Total Length	Cylindrical Suffix X	Ecc	Locking collar width	Locking collar OD	Max. dynamic radial loads	Max. static radial loads
		mm / inch															
		Nom.	Tol.	Nom.	Tol.	Nom.	Tol.	(Ref)	(Ref)	(Ref)	(Ref)	Radius	(Ref)	+0/--.15 +.002/--.006	(Ref)	(Ref)	N/lb
KRVE 40A	KRVE 40A PP	40.000 1.5748	+0/--.050 +0/--.002	20.000 .7874	+0/--.12 +0/--.005	18.000 .7087	+0/--.018 +0/--.0007	37 1.4	.80 .031	20.0 .79	58 2.3	500 19.7	1 .04	16 0.63	22 .87	14,800 4,631	26,500 5,957
	KRVE 40A PPB		Cylindrical														
	KRVE 40A PPX																
	KRVE 40A PPBX																
KR 40A	KR 40A PP	40.000 1.5748	+0/--.050 +0/--.002	20.000 .7874	+0/--.12 +0/--.005	18.000 .7087	+0/--.018 +0/--.0007	37 1.4	.80 .031	20.0 .79	58 2.3	500 19.7	N/A	N/A	N/A	10,900 2,450	15,500 3,485
	KR 40A B		Cylindrical														
	KR 40A X																
	KR 40A BX																
KRE 40A	KRE 40A PP	40.000 1.5748	+0/--.050 +0/--.002	20.000 .7874	+0/--.12 +0/--.005	18.000 .7087	+0/--.018 +0/--.0007	37 1.4	.80 .031	20.0 .79	58 2.3	500 19.7	1 .04	16 0.63	22 .87	14,800 4,631	26,500 5,957
	KRE 40A PPB		Cylindrical														
	KRE 40A PPX																
	KRE 40A PPBX																
KRV 47	KRV 47 PP	47.000 1.8504	+0/--.050 +0/--.002	24.000 .9449	+0/--.12 +0/--.005	20.000 .7874	+0/--.021 +0/--.0008	40.5 1.6	.80 .031	21.0 .83	66 2.6	500 19.7	N/A	N/A	N/A	20,600 4,631	42,000 9,442
	KRV 47 B		Cylindrical														
	KRV 47 X																
	KRV 47 BX																
KRVE 47	KRVE 47 PP	47.000 1.8504	+0/--.050 +0/--.002	24.000 .9449	+0/--.12 +0/--.005	20.000 .7874	+0/--.021 +0/--.0008	40.5 1.6	.80 .031	21.0 .83	66 2.6	500 19.7	1 .04	18 0.71	24 .94	14,800 4,631	26,500 5,957
	KRVE 47 PPB		Cylindrical														
	KRVE 47 PPX																
	KRVE 47 PPBX																
KR 47	KR 47 PP	47.000 1.8504	+0/--.050 +0/--.002	24.000 .9449	+0/--.12 +0/--.005	20.000 .7874	+0/--.021 +0/--.0008	40.5 1.6	.80 .031	21.0 .83	66 2.6	500 19.7	N/A	N/A	N/A	15,500 3,485	25,500 5,733
	KR 47 B		Cylindrical														
	KR 47 X																
	KR 47 BX																
KRE 47	KRE 47 PP	47.000 1.8504	+0/--.050 +0/--.002	24.000 .9449	+0/--.12 +0/--.005	20.000 .7874	+0/--.021 +0/--.0008	40.5 1.6	.80 .031	21.0 .83	66 2.6	500 19.7	1 .04	18 0.71	24 .94	14,800 4,631	26,500 5,957
	KRE 47 PPB		Cylindrical														
	KRE 47 PPX																
	KRE 47 PPBX																

## Metric Stud Type Track Roller Bearings



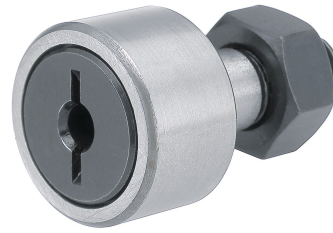
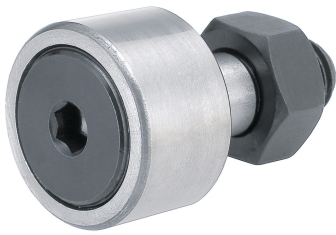
B <sub>2</sub>	M <sub>1</sub>	M	SW	d <sub>1</sub>	r	HBD		G	M <sub>A</sub>	nDG	Mass	Designation	
Distance lub. hole to washer face	Diameter of lub. hole (shank)	Seat dia. for lub. accessories	Width of flats	Thrust washer outside diameter	Min. Fillet radius	Housing Bore Diameter		Thread Type	Max. tightening torque	Limiting Speed (Grease)	Bearing Weight	W/O Seals	With Seals
mm / inch													
(Ref)	(Ref)	(Ref)	(Ref)	(Ref)	(Ref)	Nom.	Tol.		Nm in-lb	RPM	kg lb		
10 .394	3 .118	6 .24	N/A	27 1.1	1.0 0.039	22.050 .8681	+0.025/-0 +0.0009/- 0	M18x1.5	118 1,044	1,400	.25 .55	MCFE 40A	MCFE 40A S
		-	8 .31										MCFE 40A SB
		6 .24	N/A										MCFE 40A SX
		-	8 .31										MCFE 40A SBX
10 .394	3 .118	6 .24	N/A	27 1.1	1.0 0.039	18.000 .7087	+0.018/-0 +0.0007/- 0	M18x1.5	118 1,044	2,900	.25 .55	MCFR 40A	MCFR 40A S
		-	8 .31										MCFR 40A SB
		6 .24	N/A										MCFR 40A SX
		-	8 .31										MCFR 40A SBX
10 .394	3 .118	6 .24	N/A	27 1.1	1.0 0.039	22.050 .8681	+0.025/-0 +0.0009/- 0	M18x1.5	118 1,044	2,900	.25 .55	MCFRE 40A	MCFRE 40A S
		-	8 .31										MCFRE 40A SB
		6 .24	N/A										MCFRE 40A SX
		-	8 .31										MCFRE 40A SBX
9 .354	4 .157	8 .31	N/A	36.5	1.0 0.039	20.000 .7874	+0.021/-0 +0.0008/- 0	M20x1.5	120 1,044	1,300	.39 .86	MCF 47	MCF 47 S
		-	10 .39										MCF 47 SB
		8 .31	N/A										MCF 47 SX
		-	10 .39										MCF 47 SBX
9 .354	4 .157	8 .31	N/A	36.5	1.0 0.039	24.050 .9469	+0.025/-0 +0.0009/- 0	M20x1.5	120 1,044	1,300	.39 .86	MCFE 47	MCFE 47 S
		-	10 .39										MCFE 47 SB
		8 .31	N/A										MCFE 47 SX
		-	10 .39										MCFE 47 SBX
9 .354	4 .157	8 .31	N/A	36.5	1.0 0.039	20.000 .7874	+0.021/-0 +0.0008/- 0	M20x1.5	120 1,044	2,400	.39 .86	MCFR 47	MCFR 47 S
		-	10 .39										MCFR 47 SB
		8 .31	N/A										MCFR 47 SX
		-	10 .39										MCFR 47 SBX
9 .354	4 .157	8 .31	N/A	36.5	1.0 0.039	24.050 .9469	+0.025/-0 +0.0009/- 0	M20x1.5	120 1,044	2,400	.39 .86	MCFRE 47	MCFRE 47 S
		-	10 .39										MCFRE 47 SB
		8 .31	N/A										MCFRE 47 SX
		-	10 .39										MCFRE 47 SBX

# Metric Cam Followers



Designation		D	C		d		B <sub>t</sub>	C <sub>1</sub>	G <sub>1</sub>	B	R	e	Be	de	Fr	For	
W/O Seals	With Seals	Outside Diameter		Outer Ring Width		Stud Diameter		Stud Length	Dist. outer ring face to washer face	Min. Thread Length	Total Length	Cylindrical Suffix X	Ecc	Locking collar width	Locking collar OD	Max. dynamic radial loads	Max. static radial loads
		mm / inch															
		Nom.	Tol.	Nom.	Tol.	Nom.	Tol.	(Ref)	(Ref)	(Ref)	(Ref)	Radius	(Ref)	+0/-0.15 +0.002/-0.006	(Ref)	(Ref)	N/lb
KRV 47A	KRV 47A PP	47.000 1.8504	+0/-0.050 +0/-0.002	24.000 .9449	+0/-0.12 +0/-0.005	20.000 .7874	+0/-0.021 +0/-0.0008	41 1.6	.80 .031	22.0 .87	66 2.6	500 19.7	N/A	N/A	N/A	20,600 4,631	42,000 9,442
KRV 47A B	KRV 47A PPB		Cylindrical														
KRV 47A X	KRV 47A PPX																
KRV 47A BX	KRV 47A PPBX																
KRVE 47A	KRVE 47A PP	47.000 1.8504	+0/-0.050 +0/-0.002	24.000 .9449	+0/-0.12 +0/-0.005	20.000 .7874	+0/-0.021 +0/-0.0008	41 1.6	.80 .031	22.0 .87	66 2.6	500 19.7	1 .04	18 0.71	24 .94	15,500 3,485	25,500 5,733
KRVE 47A B	KRVE 47A PPB		Cylindrical														
KRVE 47A PPX	KRVE 47A PPX																
KRVE 47A PPBX	KRVE 47A PPBX																
KR 47A	KR 47A PP	47.000 1.8504	+0/-0.050 +0/-0.002	24.000 .9449	+0/-0.12 +0/-0.005	20.000 .7874	+0/-0.021 +0/-0.0008	41 1.6	.80 .031	22.0 .87	66 2.6	500 19.7	N/A	N/A	N/A	15,500 3,485	25,500 5,733
KR 47A B	KR 47A PPB		Cylindrical														
KR 47A X	KR 47A PPX																
KR 47A BX	KR 47A PPBX																
KRE 47A	KRE 47A PP	47.000 1.8504	+0/-0.050 +0/-0.002	24.000 .9449	+0/-0.12 +0/-0.005	20.000 .7874	+0/-0.021 +0/-0.0008	41 1.6	.80 .031	22.0 .87	66 2.6	500 19.7	1 .04	18 0.71	24 .94	15,500 3,485	25,500 5,733
KRE 47A B	KRE 47A PPB		Cylindrical														
KRE 47A PPX	KRE 47A PPX																
KRE 47A PPBX	KRE 47A PPBX																
KRV 52	KRV 52 PP	52.000 2.0472	+0/-0.050 +0/-0.002	24.000 .9449	+0/-0.12 +0/-0.005	20.000 .7874	+0/-0.021 +0/-0.0008	40.5 1.6	.80 .031	21.0 .83	66 2.6	500 19.7	N/A	N/A	N/A	22,500 5,058	48,000 10,791
KRV 52 B	KRV 52 PPB		Cylindrical														
KRV 52 X	KRV 52 PPX																
KRV 52 BX	KRV 52 PPBX																
KRVE 52	KRVE 52 PP	52.000 2.0472	+0/-0.050 +0/-0.002	24.000 .9449	+0/-0.12 +0/-0.005	20.000 .7874	+0/-0.021 +0/-0.0008	40.5 1.6	.80 .031	21.0 .83	66 2.6	500 19.7	1 .04	18 0.71	24 .94	22,500 5,058	48,000 10,791
KRVE 52 B	KRVE 52 PPB		Cylindrical														
KRVE 52 PPX	KRVE 52 PPX																
KRVE 52 PPBX	KRVE 52 PPBX																
KR 52	KR 52 PP	52.000 2.0472	+0/-0.050 +0/-0.002	24.000 .9449	+0/-0.12 +0/-0.005	20.000 .7874	+0/-0.021 +0/-0.0008	40.5 1.6	.80 .031	21.0 .83	66 2.6	500 19.7	N/A	N/A	N/A	16,800 3,777	28,500 6,407
KR 52 B	KR 52 PPB		Cylindrical														
KR 52 X	KR 52 PPX																
KR 52 BX	KR 52 PPBX																

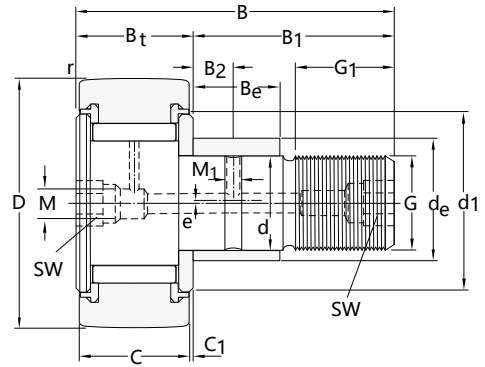
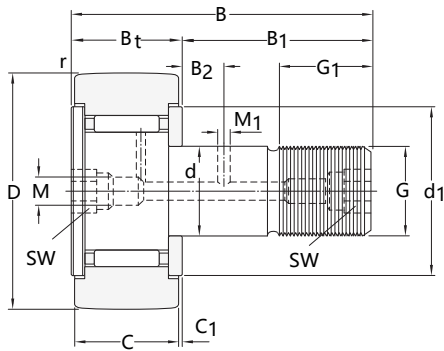
## Metric Stud Type Track Roller Bearings



B <sub>2</sub>	M <sub>1</sub>	M	SW	d <sub>1</sub>	r	HBD		G	M <sub>A</sub>	nDG	Mass	Designation	
Distance lub. hole to washer face	Diameter of lub. hole (shank)	Seat dia. for lub. accessories	Width of flats	Thrust washer outside diameter	Min. Fillet radius	Housing Bore Diameter		Thread Type	Max. tightening torque	Limiting Speed (Grease)	Bearing Weight	W/O Seals	With Seals
mm / inch													
(Ref)	(Ref)	(Ref)	(Ref)	(Ref)	(Ref)	Nom.	Tol.		Nm in-lb	RPM	kg lb		
12 .472	4 .157	8 .31	N/A	30 1.2	1.0 0.039	20.000 .7874	+0.021/-0 +0.0008/- 0	M20x1.5	118 1,044	1,300	.39 .86	MCF 47A	MCF 47A S
		-	10 .39									MCF 47A B	MCF 47A SB
		8 .31	N/A									MCF 47A X	MCF 47A SX
		-	10 .39									MCF 47A BX	MCF 47A SBX
12 .472	4 .157	8 .31	N/A	30 1.2	1.0 0.039	24.050 .9469	+0.025/-0 +0.0009/- 0	M20x1.5	118 1,044	1,300	.39 .86	MCFE 47A	MCFE 47A S
		-	10 .39									MCFE 47A SB	MCFE 47A SB
		8 .31	N/A									MCFE 47A SX	MCFE 47A SX
		-	10 .39									MCFE 47A SBX	MCFE 47A SBX
12 .472	4 .157	8 .31	N/A	30 1.2	1.0 0.039	20.000 .7874	+0.021/-0 +0.0008/- 0	M20x1.5	118 1,044	2,400	.39 .86	MCFR 47A	MCFR 47A S
		-	10 .39									MCFR 47A B	MCFR 47A SB
		8 .31	N/A									MCFR 47A X	MCFR 47A SX
		-	10 .39									MCFR 47A BX	MCFR 47A SBX
12 .472	4 .157	8 .31	N/A	30 1.2	1.0 0.039	24.050 .9469	+0.025/-0 +0.0009/- 0	M20x1.5	118 1,044	2,400	.39 .86	MCFRE 47A	MCFRE 47A S
		-	10 .39									MCFRE 47A SB	MCFRE 47A SB
		8 .31	N/A									MCFRE 47A SX	MCFRE 47A SX
		-	10 .39									MCFRE 47A SBX	MCFRE 47A SBX
9 .354	4 .157	8 .31	N/A	36.5	1.0 0.039	20.000 .7874	+0.021/-0 +0.0008/- 0	M20x1.5	120 1,044	1,300	.45 .99	MCF 52	MCF 52 S
		-	10 .39									MCF 52 B	MCF 52 SB
		8 .31	N/A									MCF 52 X	MCF 52 SX
		-	10 .39									MCF 52 BX	MCF 52 SBX
9 .354	4 .157	8 .31	N/A	36.5	1.0 0.039	24.050 .9469	+0.025/-0 +0.0009/- 0	M20x1.5	120 1,044	1,300	.45 .99	MCFE 52	MCFE 52 S
		-	10 .39									MCFE 52 SB	MCFE 52 SB
		8 .31	N/A									MCFE 52 SX	MCFE 52 SX
		-	10 .39									MCFE 52 SBX	MCFE 52 SBX
9 .354	4 .157	8 .31	N/A	36.5	1.0 0.039	20.000 .7874	+0.021/-0 +0.0008/- 0	M20x1.5	120 1,044	2,400	.45 .99	MCFR 52	MCFR 52 S
		-	10 .39									MCFR 52 B	MCFR 52 SB
		8 .31	N/A									MCFR 52 X	MCFR 52 SX
		-	10 .39									MCFR 52 BX	MCFR 52 SBX

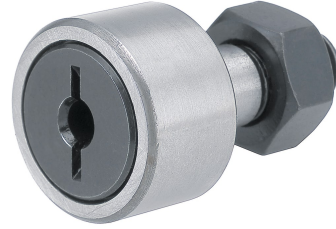
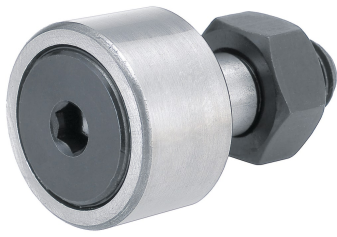


# Metric Cam Followers



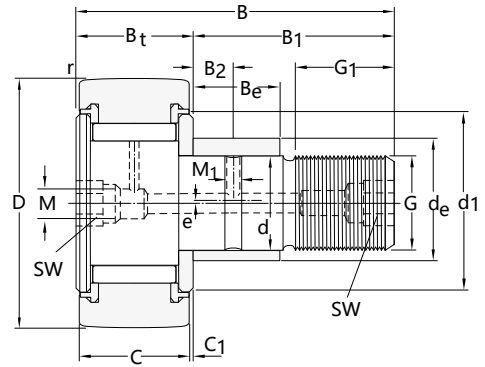
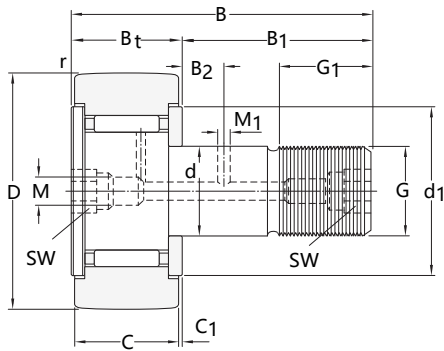
Designation		D		C		d		B <sub>t</sub>	C <sub>1</sub>	G <sub>1</sub>	B	R	e	Be	de	Fr	For
W/O Seals	With Seals	Outside Diameter		Outer Ring Width		Stud Diameter		Stud Length	Dist. outer ring face to washer face	Min. Thread Length	Total Length	Cylindrical Suffix X	Ecc	Locking collar width	Locking collar OD	Max. dynamic radial loads	Max. static radial loads
		mm / inch															
		Nom.	Tol.	Nom.	Tol.	Nom.	Tol.	(Ref)	(Ref)	(Ref)	(Ref)	Radius	(Ref)	+0/- .15 +.002/- .006	(Ref)	(Ref)	N/lb
KRE 52	KRE 52 PP	52.000 2.0472	+0/- .050 +0/- .002	24.000 .9449	+0/- .12 +0/- .005	20.000 .7874	+0/- .021 +0/- .0008	40,5 1.6	.80 .031	21.0 .83	66 2.6	500 19.7	1 .04	18 0.71	24 .94	16,800 3,777	28,500 6,407
	KRE 52 PPB		Cylindrical														
	KRE 52 PPX																
	KRE 52 PPBX																
KRV 52A	KRV 52A PP	52.000 2.0472	+0/- .050 +0/- .002	24.000 .9449	+0/- .12 +0/- .005	20.000 .7874	+0/- .021 +0/- .0008	41 1.6	.80 .031	22.0 .87	66 2.6	500 19.7	N/A	N/A	N/A	22,500 5,058	48,000 10,791
	KRV 52A B		Cylindrical														
	KRV 52A X																
	KRV 52A BX																
KRVE 52A	KRVE 52A PP	52.000 2.0472	+0/- .050 +0/- .002	24.000 .9449	+0/- .12 +0/- .005	20.000 .7874	+0/- .021 +0/- .0008	41 1.6	.80 .031	22.0 .87	66 2.6	500 19.7	1 .04	18 0.71	24 .94	16,800 3,777	28,500 6,407
	KRVE 52A PPB		Cylindrical														
	KRVE 52A PPX																
	KRVE 52A PPBX																
KR 52A	KR 52A PP	52.000 2.0472	+0/- .050 +0/- .002	24.000 .9449	+0/- .12 +0/- .005	20.000 .7874	+0/- .021 +0/- .0008	41 1.6	.80 .031	22.0 .87	66 2.6	500 19.7	N/A	N/A	N/A	16,800 3,777	28,500 6,407
	KR 52A B		Cylindrical														
	KR 52A X																
	KR 52A BX																
KRE 52A	KRE 52A PP	52.000 2.0472	+0/- .050 +0/- .002	24.000 .9449	+0/- .12 +0/- .005	20.000 .7874	+0/- .021 +0/- .0008	41 1.6	.80 .031	22.0 .87	66 2.6	500 19.7	1 .04	18 0.71	24 .94	16,800 3,777	28,500 6,407
	KRE 52A PPB		Cylindrical														
	KRE 52A PPX																
	KRE 52A PPBX																
KRV 62	KRV 62 PP	62.000 2.4409	+0/- .050 +0/- .002	29.000 1.1417	+0/- .12 +0/- .005	24.000 .9449	+0/- .021 +0/- .0008	49,5 1.9	.80 .031	25.0 .98	80 3.1	500 19.7	N/A	N/A	N/A	38,840 8,732	65,400 14,703
	KRV 62 B		Cylindrical														
	KRV 62 X																
	KRV 62 BX																
KRVE 62	KRVE 62 PP	62.000 2.4409	+0/- .050 +0/- .002	29.000 1.1417	+0/- .12 +0/- .005	24.000 .9449	+0/- .021 +0/- .0008	49,5 1.9	.80 .031	25.0 .98	80 3.1	500 19.7	1 .04	22 0.87	28 .10	38,840 8,732	65,400 14,703
	KRVE 62 PPB		Cylindrical														
	KRVE 62 PPX																
	KRVE 62 PPBX																

## Metric Stud Type Track Roller Bearings



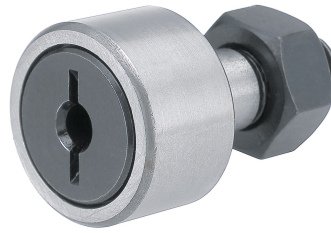
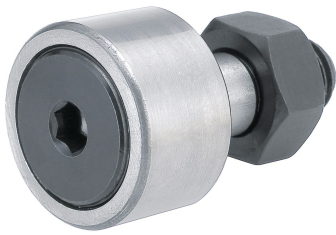
B <sub>2</sub>	M <sub>1</sub>	M	SW	d <sub>1</sub>	r	HBD		G	M <sub>A</sub>	nDG	Mass	Designation	
Distance lub. hole to washer face	Diameter of lub. hole (shank)	Seat dia. for lub. accessories	Width of flats	Thrust washer outside diameter	Min. Fillet radius	Housing Bore Diameter		Thread Type	Max. tightening torque	Limiting Speed (Grease)	Bearing Weight	W/O Seals	With Seals
mm / inch													
(Ref)	(Ref)	(Ref)	(Ref)	(Ref)	(Ref)	Nom.	Tol.		Nm in-lb	RPM	kg lb		
9 .354	4 .157	8 .31	N/A	36.5	1.0 0.039	24.050 .9469	+0.025/-0 +0.0009/- 0	M20x1.5	120 1,044	2,400	.45 .99	MCFRE 52	MCFRE 52 S
		-	10 .39									MCFRE 52 SB	
		8 .31	N/A									MCFRE 52 SX	
		-	10 .39									MCFRE 52 SBX	
12 .472	4 .157	8 .31	N/A	36 1.4	1.0 0.039	20.000 .7874	+0.021/-0 +0.0008/- 0	M20x1.5	220 1,912	1,300	.45 .99	MCF 52A	MCF 52A S
		-	10 .39									MCF 52A B	MCF 52A SB
		8 .31	N/A									MCF 52A X	MCF 52A SX
		-	10 .39									MCF 52A BX	MCF 52A SBX
12 .472	4 .157	8 .31	N/A	36 1.4	1.0 0.039	24.050 .9469	+0.025/-0 +0.0009/- 0	M20x1.5	220 1,912	1,300	.45 .99	MCFE 52A	MCFE 52A S
		-	10 .39									MCFE 52A SB	
		8 .31	N/A									MCFE 52A SX	
		-	10 .39									MCFE 52A SBX	
12 .472	4 .157	8 .31	N/A	36 1.4	1.0 0.039	20.000 .7874	+0.021/-0 +0.0008/- 0	M20x1.5	220 1,912	2,400	.45 .99	MCFR 52A	MCFR 52A S
		-	10 .39									MCFR 52A B	MCFR 52A SB
		8 .31	N/A									MCFR 52A X	MCFR 52A SX
		-	10 .39									MCFR 52A BX	MCFR 52A SBX
12 .472	4 .157	8 .31	N/A	36 1.4	1.0 0.039	24.050 .9469	+0.025/-0 +0.0009/- 0	M20x1.5	220 1,912	2,400	.45 .99	MCFRE 52A	MCFRE 52A S
		-	10 .39									MCFRE 52A SB	
		8 .31	N/A									MCFRE 52A SX	
		-	10 .39									MCFRE 52A SBX	
11 .433	4 .157	8 .31	N/A	44	1.0 0.039	24.000 .9449	+0.021/-0 +0.0008/- 0	M24x1.5	220 1,912	1,100	.81 1.79	MCF 62	MCF 62 S
		-	14 .55									MCF 62 B	MCF 62 SB
		8 .31	N/A									MCF 62 X	MCF 62 SX
		-	14 .55									MCF 62 BX	MCF 62 SBX
11 .433	4 .157	8 .31	N/A	44	1.0 0.039	28.050 .1043	+0.025/-0 +0.0009/- 0	M24x1.5	220 1,912	1,100	.81 1.79	MCFE 62	MCFE 62 S
		-	14 .55									MCFE 62 SB	
		8 .31	N/A									MCFE 62 SX	
		-	14 .55									MCFE 62 SBX	

# Metric Cam Followers



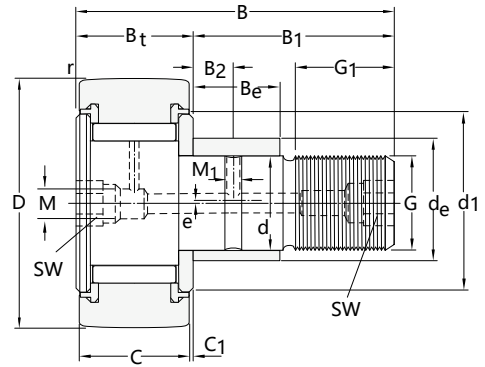
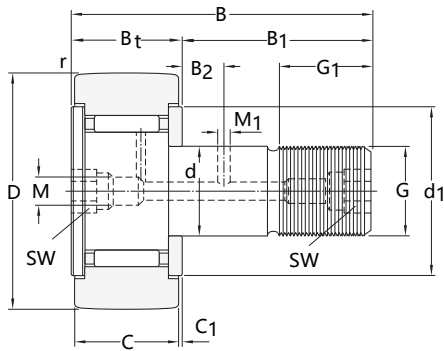
Designation		D	C		d		B <sub>t</sub>	C <sub>1</sub>	G <sub>1</sub>	B	R	e	Be	de	Fr	For	
W/O Seals	With Seals	Outside Diameter		Outer Ring Width		Stud Diameter		Stud Length	Dist. outer ring face to washer face	Min. Thread Length	Total Length	Cylindrical Suffix X	Ecc	Locking collar width	Locking collar OD	Max. dynamic radial loads	Max. static radial loads
		mm / inch															
		Nom.	Tol.	Nom.	Tol.	Nom.	Tol.	(Ref)	(Ref)	(Ref)	(Ref)	Radius	(Ref)	+0/-0.15 +0.002/-0.006	(Ref)	(Ref)	N/lb
KR 62	KR 62 PP	62.000 2.4409	+0/-0.050 +0/-0.002	29.000 1.1417	+0/-0.12 +0/-0.005	24.000 .9449	+0/-0.021 +0/-0.0008	49.5 1.9	.80 .031	25.0 .98	80 3.1	500 19.7	N/A	N/A	N/A	26,500 5,957	47,500 10,678
KR 62 B	KR 62 PPB		Cylindrical														
KR 62 X	KR 62 PPX																
KR 62 BX	KR 62 PPBX																
KRE 62	KRE 62 PP	62.000 2.4409	+0/-0.050 +0/-0.002	29.000 1.1417	+0/-0.12 +0/-0.005	24.000 .9449	+0/-0.021 +0/-0.0008	49.5 1.9	.80 .031	25.0 .98	80 3.1	500 19.7	1 .04	22 0.87	28 .10	38,840 8,732	65,400 14,703
KRE 62 B	KRE 62 PPB		Cylindrical														
KRE 62 X	KRE 62 PPX																
KRE 62 BX	KRE 62 PPBX																
KRV 62A	KRV 62A PP	62.000 2.4409	+0/-0.050 +0/-0.002	29.000 1.1417	+0/-0.12 +0/-0.005	24.000 .9449	+0/-0.021 +0/-0.0008	49.5 1.9	.80 .031	25.0 .98	80 3.1	500 19.7	N/A	N/A	N/A	26,500 5,957	47,500 10,678
KRV 62A B	KRV 62A PPB		Cylindrical														
KRV 62A X	KRV 62A PPX																
KRV 62A BX	KRV 62A PPBX																
KRVE 62A	KRVE 62A PP	62.000 2.4409	+0/-0.050 +0/-0.002	29.000 1.1417	+0/-0.12 +0/-0.005	24.000 .9449	+0/-0.021 +0/-0.0008	49.5 1.9	.80 .031	25.0 .98	80 3.1	500 19.7	1 .04	22 0.87	28 .10	37,000 8,318	85,000 19,109
KRVE 62A B	KRVE 62A PPB		Cylindrical														
KRVE 62A X	KRVE 62A PPX																
KRVE 62A BX	KRVE 62A PPBX																
KR 62A	KR 62A PP	72.000 2.8346	+0/-0.050 +0/-0.002	29.000 1.1417	+0/-0.12 +0/-0.005	24.000 .9449	+0/-0.021 +0/-0.0008	49.5 1.9	.80 .031	25.0 .98	80 3.1	500 19.7	N/A	N/A	N/A	37,000 8,318	85,000 19,109
KR 62A B	KR 62A PPB		Cylindrical														
KR 62A X	KR 62A PPX																
KR 62A BX	KR 62A PPBX																
KRE 62A	KRE 62A PP	72.000 2.8346	+0/-0.050 +0/-0.002	29.000 1.1417	+0/-0.12 +0/-0.005	24.000 .9449	+0/-0.021 +0/-0.0008	49.5 1.9	.80 .031	25.0 .98	80 3.1	500 19.7	1 .04	22 0.87	28 .10	37,000 8,318	85,000 19,109
KRE 62A B	KRE 62A PPB		Cylindrical														
KRE 62A X	KRE 62A PPX																
KRE 62A BX	KRE 62A PPBX																
KRV 72	KRV 72 PP	72.000 2.8346	+0/-0.050 +0/-0.002	29.000 1.1417	+0/-0.12 +0/-0.005	24.000 .9449	+0/-0.021 +0/-0.0008	49.5 1.9	.80 .031	25.0 .98	80 3.1	500 19.7	N/A	N/A	N/A	37,000 8,318	85,000 19,109
KRV 72 B	KRV 72 PPB		Cylindrical														
KRV 72 X	KRV 72 PPX																
KRV 72 BX	KRV 72 PPBX																

## Metric Stud Type Track Roller Bearings



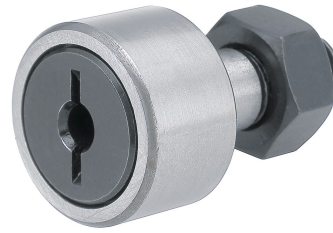
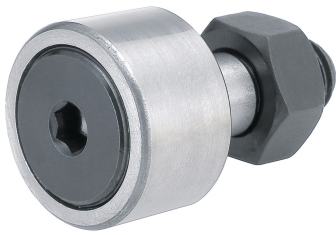
B <sub>2</sub>	M <sub>1</sub>	M	SW	d <sub>1</sub>	r	HBD		G	M <sub>A</sub>	nDG	Mass	Designation	
Distance lub. hole to washer face	Diameter of lub. hole (shank)	Seat dia. for lub. accessories	Width of flats	Thrust washer outside diameter	Min. Fillet radius	Housing Bore Diameter		Thread Type	Max. tightening torque	Limiting Speed (Grease)	Bearing Weight	W/O Seals	With Seals
mm / inch													
(Ref)	(Ref)	(Ref)	(Ref)	(Ref)	(Ref)	Nom.	Tol.		Nm in-lb	RPM	kg lb		
11 .433	4 .157	8 .31	N/A	44	1.0 0.039	24.000 .9449	+0.021/-0 +0.0008/- 0	M24x1.5	220 1,912	1,900	.81 1.79	MCFR 62	MCFR 62 S
		-	14 .55									MCFR 62 B	MCFR 62 SB
		8 .31	N/A									MCFR 62 X	MCFR 62 SX
		-	14 .55									MCFR 62 BX	MCFR 62 SBX
11 .433	4 .157	8 .31	N/A	44	1.0 0.039	28.050 .1043	+0.025/-0 +0.0009/- 0	M24x1.5	220 1,912	1,900	.81 1.79	MCFRE 62	MCFRE 62 S
		-	14 .55									MCFRE 62 SB	MCFRE 62 SX
		8 .31	N/A									MCFRE 62 SX	MCFRE 62 SBX
		-	14 .55									MCFRE 62 SBX	MCFRE 62 SBX
12 .472	4 .157	8 .31	N/A	44	1.0 0.039	24.000 .9449	+0.021/-0 +0.0008/- 0	M24x1.5	220 1,912	1,100	.81 1.79	MCF 62A	MCF 62A S
		-	14 .55									MCF 62A B	MCF 62A SB
		8 .31	N/A									MCF 62A X	MCF 62A SX
		-	14 .55									MCF 62A BX	MCF 62A SBX
12 .472	4 .157	8 .31	N/A	44	1.0 0.039	28.050 .1043	+0.025/-0 +0.0009/- 0	M24x1.5	220 1,912	1,100	.81 1.79	MCFE 62A	MCFE 62A S
		-	14 .55									MCFE 62A SB	MCFE 62A SX
		8 .31	N/A									MCFE 62A SX	MCFE 62A SBX
		-	14 .55									MCFE 62A SBX	MCFE 62A SBX
12 .472	4 .157	8 .31	N/A	44	1.0 0.039	24.000 .9449	+0.021/-0 +0.0008/- 0	M24x1.5	220 1,912	1,900	.81 1.79	MCFR 62A	MCFR 62A S
		-	14 .55									MCFR 62A B	MCFR 62A SB
		8 .31	N/A									MCFR 62A X	MCFR 62A SX
		-	14 .55									MCFR 62A BX	MCFR 62A SBX
12 .472	4 .157	8 .31	N/A	44	1.0 0.039	28.050 .1043	+0.025/-0 +0.0009/- 0	M24x1.5	220 1,912	1,900	.81 1.79	MCFRE 62A	MCFRE 62A S
		-	14 .55									MCFRE 62A SB	MCFRE 62A SX
		8 .31	N/A									MCFRE 62A SX	MCFRE 62A SBX
		-	14 .55									MCFRE 62A SBX	MCFRE 62A SBX
12 .472	4 .157	8 .31	N/A	44	1.1 .0433	24.000 .9449	+0.021/-0 +0.0008/- 0	M24x1.5	220 1,912	1,100	1.04 2.29	MCF 72	MCF 72 S
		-	14 .55									MCF 72 B	MCF 72 SB
		8 .31	N/A									MCF 72 X	MCF 72 SX
		-	14 .55									MCF 72 BX	MCF 72 SBX

# Metric Cam Followers



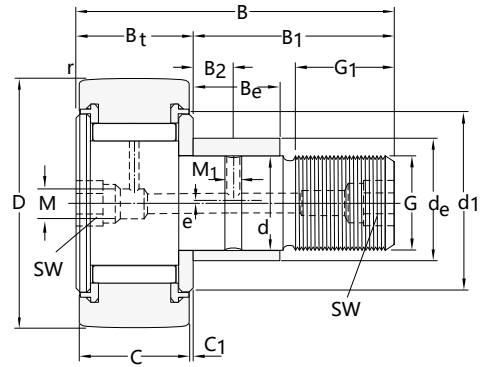
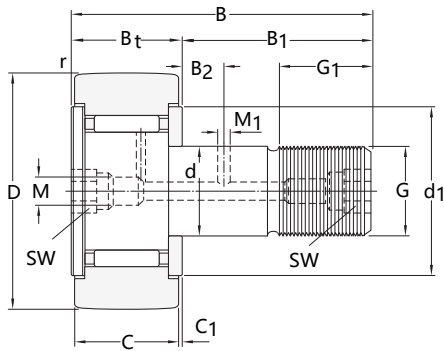
Designation		D		C		d		B <sub>t</sub>	C <sub>1</sub>	G <sub>1</sub>	B	R	e	Be	de	Fr	For
W/O Seals	With Seals	Outside Diameter		Outer Ring Width		Stud Diameter		Stud Length	Dist. outer ring face to washer face	Min. Thread Length	Total Length	Cylindrical Suffix X	Ecc	Locking collar width	Locking collar OD	Max. dynamic radial loads	Max. static radial loads
		mm / inch															
		Nom.	Tol.	Nom.	Tol.	Nom.	Tol.	(Ref)	(Ref)	(Ref)	(Ref)	Radius	(Ref)	+0/- .15 +.002/- .006	(Ref)	(Ref)	N/lb
KRVE 72	KRVE 72 PP	72.000 2.8346	+0/- .050 +0/- .002	29.000 1.1417	+0/- .12 +0/- .005	24.000 .9449	+0/- .021 +0/- .0008	49.5 1.9	.80 .031	25.0 .98	80 3.1	500 19.7	1 .04	22 0.87	28 .10	37,000 8,318	85,000 19,109
	KRVE 72 PPB		Cylindrical														
	KRVE 72 PPX																
	KRVE 72 PPBX																
KR 72	KR 72 PP	72.000 2.8346	+0/- .050 +0/- .002	29.000 1.1417	+0/- .12 +0/- .005	24.000 .9449	+0/- .021 +0/- .0008	49.5 1.9	.80 .031	25.0 .98	80 3.1	500 19.7	N/A	N/A	N/A	28,000 6,295	53,000 11,915
	KR 72 B		Cylindrical														
	KR 72 X																
	KR 72 BX																
KRE 72	KRE 72 PP	72.000 2.8346	+0/- .050 +0/- .002	29.000 1.1417	+0/- .12 +0/- .005	24.000 .9449	+0/- .021 +0/- .0008	49.5 1.9	.80 .031	25.0 .98	80 3.1	500 19.7	1 .04	22 0.87	28 .10	37,000 8,318	85,000 19,109
	KRE 72 PPB		Cylindrical														
	KRE 72 PPX																
	KRE 72 PPBX																
KRV 72A	KRV 72A PP	72.000 2.8346	+0/- .050 +0/- .002	29.000 1.1417	+0/- .12 +0/- .005	24.000 .9449	+0/- .021 +0/- .0008	49.5 1.9	.80 .031	25.0 .98	80 3.1	500 19.7	N/A	N/A	N/A	38,840 8,732	65,400 14,703
	KRV 72A B		Cylindrical														
	KRV 72A X																
	KRV 72A BX																
KRVE 72A	KRVE 72A PP	72.000 2.8346	+0/- .050 +0/- .002	29.000 1.1417	+0/- .12 +0/- .005	24.000 .9449	+0/- .021 +0/- .0008	49.5 1.9	.80 .031	25.0 .98	80 3.1	500 19.7	1 .04	22 0.87	28 .10	37,000 8,318	85,000 19,109
	KRVE 72A PPB		Cylindrical														
	KRVE 72A PPX																
	KRVE 72A PPBX																
KR 72A	KR 72A PP	72.000 2.8346	+0/- .050 +0/- .002	29.000 1.1417	+0/- .12 +0/- .005	24.000 .9449	+0/- .021 +0/- .0008	49.5 1.9	.80 .031	25.0 .98	80 3.1	500 19.7	N/A	N/A	N/A	26,380 5,931	46,300 10,409
	KR 72A B		Cylindrical														
	KR 72A X																
	KR 72A BX																
KRE 72A	KRE 72A PP	72.000 2.8346	+0/- .050 +0/- .002	29.000 1.1417	+0/- .12 +0/- .005	24.000 .9449	+0/- .021 +0/- .0008	49.5 1.9	.80 .031	25.0 .98	80 3.1	500 19.7	1 .04	22 0.87	28 .10	37,000 8,318	85,000 19,109
	KRE 72A PPB		Cylindrical														
	KRE 72A PPX																
	KRE 72A PPBX																

## Metric Stud Type Track Roller Bearings



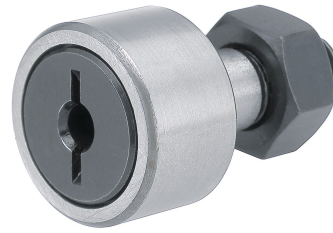
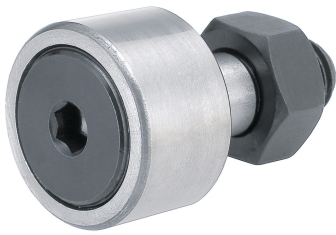
B <sub>2</sub>	M <sub>1</sub>	M	SW	d <sub>1</sub>	r	HBD		G	M <sub>A</sub>	nDG	Mass	Designation	
Distance lub. hole to washer face	Diameter of lub. hole (shank)	Seat dia. for lub. accessories	Width of flats	Thrust washer outside diameter	Min. Fillet radius	Housing Bore Diameter		Thread Type	Max. tightening torque	Limiting Speed (Grease)	Bearing Weight	W/O Seals	With Seals
mm / inch													
(Ref)	(Ref)	(Ref)	(Ref)	(Ref)	(Ref)	Nom.	Tol.		Nm in-lb	RPM	kg lb		
N/A	N/A	8 .31	N/A	44	1.1 .0433	28.050 .1043	+0.025/-0 +0.0009/- 0	M24x1.5	220 1,912	1,100	1.04 2.29	MCFE 72	MCFE 72 S
		-	14 .55										MCFE 72 SB
		8 .31	N/A										MCFE 72 SX
		-	14 .55										MCFE 72 SBX
11 .433	4 .157	8 .31	N/A	44	1.1 .0433	24.000 .9449	+0.021/-0 +0.0008/- 0	M24x1.5	220 1,912	1,900	1.04 2.29	MCFR 72	MCFR 72 S
		-	14 .55										MCFR 72 SB
		8 .31	N/A										MCFR 72 X
		-	14 .55										MCFR 72 BX
11 .433	4 .157	8 .31	N/A	44	1.1 .0433	28.050 .1043	+0.025/-0 +0.0009/- 0	M24x1.5	220 1,912	1,900	1.04 2.29	MCFRE 72	MCFRE 72 S
		-	14 .55										MCFRE 72 SB
		8 .31	N/A										MCFRE 72 SX
		-	14 .55										MCFRE 72 SBX
11 .433	4 .157	8 .31	N/A	44	1.1 .0433	24.000 .9449	+0.021/-0 +0.0008/- 0	M24x1.5	220 1,912	1,100	1.04 2.29	MCF 72A	MCF 72A S
		-	14 .55										MCF 72A SB
		8 .31	N/A										MCF 72A X
		-	14 .55										MCF 72A SBX
11 .433	4 .157	8 .31	N/A	44	1.1 .0433	28.050 .1043	+0.025/-0 +0.0009/- 0	M24x1.5	220 1,912	1,100	1.04 2.29	MCFE 72A	MCFE 72A S
		-	14 .55										MCFE 72A SB
		8 .31	N/A										MCFE 72A SX
		-	14 .55										MCFE 72A SBX
11 .433	4 .157	8 .31	N/A	44	1.1 .0433	24.000 .9449	+0.021/-0 +0.0008/- 0	M24x1.5	220 1,912	3,100	1.04 2.29	MCFR 72A	MCFR 72A S
		-	14 .55										MCFR 72A SB
		8 .31	N/A										MCFR 72A X
		-	14 .55										MCFR 72A SBX
11 .433	4 .157	8 .31	N/A	44	1.1 .0433	28.050 .1043	+0.025/-0 +0.0009/- 0	M24x1.5	220 1,912	3,100	1.04 2.29	MCFRE 72A	MCFRE 72A S
		-	14 .55										MCFRE 72A SB
		8 .31	N/A										MCFRE 72A SX
		-	14 .55										MCFRE 72A SBX

# Metric Cam Followers



Designation		D		C		d		B <sub>t</sub>	C <sub>1</sub>	G <sub>1</sub>	B	R	e	Be	de	Fr	For
W/O Seals	With Seals	Outside Diameter		Outer Ring Width		Stud Diameter		Stud Length	Dist. outer ring face to washer face	Min. Thread Length	Total Length	Cylindrical Suffix X	Ecc	Locking collar width	Locking collar OD	Max. dynamic radial loads	Max. static radial loads
		mm / inch															
		Nom.	Tol.	Nom.	Tol.	Nom.	Tol.	(Ref)	(Ref)	(Ref)	(Ref)	Radius	(Ref)	<sup>+0/-0.15</sup> <sub>+0.002/-0.006</sub>	(Ref)	N/lb	N/lb
KRV 80	KRV 80 PP	80.000 3.1496	+0/-0.050 +0/-0.002	35.000 1.3780	+0/-0.12 +0/-0.005	30.000 1.1811	+0/-0.021 +0/-0.0008	63 2.5	1.00 .039	32.0 1.26	100 3.9	500 19.7	N/A	N/A	N/A	49,500 11,128	120,000 26,977
KRV 80 B	KRV 80 PPB		Cylindrical														
KRV 80 X	KRV 80 PPX																
KRV 80 BX	KRV 80 PPBX																
KRVE 80	KRVE 80 PP	80.000 3.1496	+0/-0.050 +0/-0.002	35.000 1.3780	+0/-0.12 +0/-0.005	30.000 1.1811	+0/-0.021 +0/-0.0008	63 2.5	1.00 .039	32.0 1.26	100 3.9	500 19.7	1.5 .06	29 1.14	35 .38	49,500 11,128	120,000 26,977
KRVE 80 PPB	KRVE 80 PPB		Cylindrical														
KRVE 80 PPX	KRVE 80 PPX																
KRVE 80 PPBX	KRVE 80 PPBX																
KR 80A	KR 80A PP	80.000 3.1496	+0/-0.050 +0/-0.002	35.000 1.3780	+0/-0.12 +0/-0.005	30.000 1.1811	+0/-0.021 +0/-0.0008	63 2.5	1.00 .039	32.0 1.26	100 3.9	500 19.7	N/A	N/A	N/A	39,500 8,880	77,000 17,310
KR 80A B	KR 80A PPB		Cylindrical														
KR 80A X	KR 80A PPX																
KR 80A BX	KR 80A PPBX																
KRE 80A	KRE 80A PP	80.000 3.1496	+0/-0.050 +0/-0.002	35.000 1.3780	+0/-0.12 +0/-0.005	30.000 1.1811	+0/-0.021 +0/-0.0008	63 2.5	1.00 .039	32.0 1.26	100 3.9	500 19.7	1.5 .06	29 1.14	35 .38	39,500 8,880	77,000 17,310
KRE 80A PPB	KRE 80A PPB		Cylindrical														
KRE 80A PPX	KRE 80A PPX																
KRE 80A PPBX	KRE 80A PPBX																
KRV 85	KRV 85 PP	85.000 3.3465	+0/-0.050 +0/-0.002	35.000 1.3780	+0/-0.12 +0/-0.005	30.000 1.1811	+0/-0.021 +0/-0.0008	63 2.5	1.00 .039	32.0 1.26	100 3.9	500 19.7	N/A	N/A	N/A	49,500 11,128	120,000 26,977
KRV 85 B	KRV 85 PPB		Cylindrical														
KRV 85 X	KRV 85 PPX																
KRV 85 BX	KRV 85 PPBX																
KRVE 85	KRVE 85 PP	85.000 3.3465	+0/-0.050 +0/-0.002	35.000 1.3780	+0/-0.12 +0/-0.005	30.000 1.1811	+0/-0.021 +0/-0.0008	63 2.5	1.00 .039	32.0 1.26	100 3.9	500 19.7	1.5 .06	29 1.14	35 .38	49,500 11,128	120,000 26,977
KRVE 85 PPB	KRVE 85 PPB		Cylindrical														
KRVE 85 PPX	KRVE 85 PPX																
KRVE 85 PPBX	KRVE 85 PPBX																
KR 85	KR 85 PP	85.000 3.3465	+0/-0.050 +0/-0.002	35.000 1.3780	+0/-0.12 +0/-0.005	30.000 1.1811	+0/-0.021 +0/-0.0008	63 2.5	1.00 .039	32.0 1.26	100 3.9	500 19.7	N/A	N/A	N/A	39,500 8,880	77,000 17,310
KR 85 B	KR 85 PPB		Cylindrical														
KR 85 X	KR 85 PPX																
KR 85 BX	KR 85 PPBX																

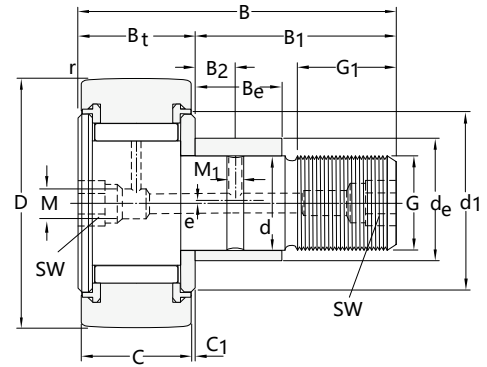
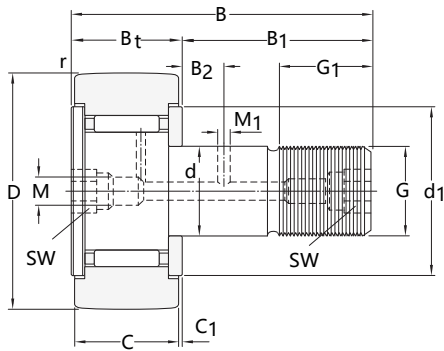
## Metric Stud Type Track Roller Bearings



B <sub>2</sub>	M <sub>1</sub>	M	SW	d <sub>1</sub>	r	HBD		G	M <sub>A</sub>	nDG	Mass	Designation	
Distance lub. hole to washer face	Diameter of lub. hole (shank)	Seat dia. for lub. accessories	Width of flats	Thrust washer outside diameter	Min. Fillet radius	Housing Bore Diameter		Thread Type	Max. tightening torque	Limiting Speed (Grease)	Bearing Weight	W/O Seals	With Seals
mm / inch													
(Ref)	(Ref)	(Ref)	(Ref)	(Ref)	(Ref)	Nom.	Tol.		Nm in-lb	RPM	kg lb		
15 .591	4 .157	8 .31	N/A	53	1.1 .0433	30.000 .1811	+0.021/-0 +0.0008/- 0	M30x1.5	450 3,903	850	1.64 3.62	MCF 80	MCF 80 S
		-	14 .55									MCF 80 B	MCF 80 SB
		8 .31	N/A									MCF 80 X	MCF 80 SX
		-	14 .55									MCF 80 BX	MCF 80 SBX
15 .591	4 .157	8 .31	N/A	53	1.1 .0433	35.050 .3799	+0.025/-0 +0.0009/- 0	M30x1.5	450 3,903	2,200	1.64 3.62	MCFE 80	MCFE 80 S
		-	14 .55									MCFE 80 B	MCFE 80 SB
		8 .31	N/A									MCFE 80 X	MCFE 80 SX
		-	14 .55									MCFE 80 BX	MCFE 80 SBX
15 .591	4 .157	8 .31	N/A	53	1.1 .0433	30.000 .1811	+0.021/-0 +0.0008/- 0	M30x1.5	450 3,903	2,200	1.64 3.62	MCFR 80A	MCFR 80A S
		-	14 .55									MCFR 80A B	MCFR 80A SB
		8 .31	N/A									MCFR 80A X	MCFR 80A SX
		-	14 .55									MCFR 80A BX	MCFR 80A SBX
15 .591	4 .157	8 .31	N/A	53	1.1 .0433	35.050 .3799	+0.025/-0 +0.0009/- 0	M30x1.5	450 3,903	2,200	1.64 3.62	MCFRE 80A	MCFRE 80A S
		-	14 .55									MCFRE 80A B	MCFRE 80A SB
		8 .31	N/A									MCFRE 80A X	MCFRE 80A SX
		-	14 .55									MCFRE 80A BX	MCFRE 80A SBX
15 .591	4 .157	8 .31	N/A	53	1.1 .0433	30.000 .1811	+0.021/-0 +0.0008/- 0	M30x1.5	450 3,903	850	1.64 3.62	MCF 80	MCF 80 S
		-	14 .55									MCF 80 B	MCF 80 SB
		8 .31	N/A									MCF 80 X	MCF 80 SX
		-	14 .55									MCF 80 BX	MCF 80 SBX
15 .591	4 .157	8 .31	N/A	53	1.1 .0433	35.050 .3799	+0.025/-0 +0.0009/- 0	M30x1.5	450 3,903	850	1.64 3.62	MCFE 80	MCFE 80 S
		-	14 .55									MCFE 80 B	MCFE 80 SB
		8 .31	N/A									MCFE 80 X	MCFE 80 SX
		-	14 .55									MCFE 80 BX	MCFE 80 SBX
15 .591	4 .157	8 .31	N/A	53	1.1 .0433	30.000 .1811	+0.021/-0 +0.0008/- 0	M30x1.5	450 3,903	2,200	1.81 3.99	MCFR 85	MCFR 85 S
		-	14 .55									MCFR 85 B	MCFR 85 SB
		8 .31	N/A									MCFR 85 X	MCFR 85 SX
		-	14 .55									MCFR 85 BX	MCFR 85 SBX



# Metric Cam Followers



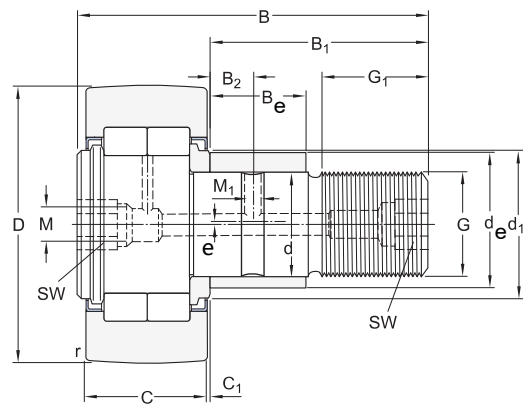
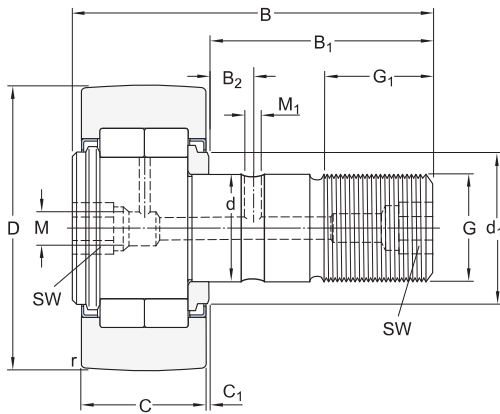
Designation		D	C		d		B <sub>t</sub>	C <sub>1</sub>	G <sub>1</sub>	B	R	e	Be	de	Fr	For	
W/O Seals	With Seals	Outside Diameter		Outer Ring Width		Stud Diameter		Stud Length	Dist. outer ring face to washer face	Min. Thread Length	Total Length	Cylindrical Suffix X	Ecc	Locking collar width	Locking collar OD	Max. dynamic radial loads	Max. static radial loads
		Nom.	Tol.	Nom.	Tol.	Nom.	Tol.	(Ref)	(Ref)	(Ref)	(Ref)	Radius	(Ref)	<sup>+0/-0.15</sup> <sub>+0.02/-0.006</sub>	(Ref)	N/lb	N/lb
KRE 85	KRE 85 PP	85.000 3.3465	+0/-0.050 +0/-0.002	35.000 1.3780	+0/-0.12 +0/-0.005	30.000 1.1811	+0/-0.021 +0/-0.0008	63 2.5	1.00 .039	32.0 1.26	100 3.9	500 19.7	1.5 .06	29 1.14	35 .38	39,500 8,880	77,000 17,310
KRE 85 B	KRE 85 PPB		Cylindrical														
KRE 85 X	KRE 85 PPX																
KRE 85 BX	KRE 85 PPBX																
KRV 90	KRV 90 PP	90.000 3.5433	+0/-0.050 +0/-0.002	35.000 1.3780	+0/-0.12 +0/-0.005	30.000 1.1811	+0/-0.021 +0/-0.0008	63 2.5	1.00 .039	32.0 1.26	100 3.9	500 19.7	N/A	N/A	N/A	53,000 11,915	130,000 29,225
KRV 90 B	KRV 90 PPB		Cylindrical														
KRV 90 X	KRV 90 PPX																
KRV 90 BX	KRV 90 PPBX																
KRVE 90	KRVE 90 PP	90.000 3.5433	+0/-0.050 +0/-0.002	35.000 1.3780	+0/-0.12 +0/-0.005	30.000 1.1811	+0/-0.021 +0/-0.0008	63 2.5	1.00 .039	32.0 1.26	100 3.9	500 19.7	1.5 .06	29 1.14	35 .38	41,500 9,330	83,000 18,659
KRVE 90 PPB			Cylindrical														
KRVE 90 PPX																	
KRVE 90 PPBX																	
KR 90	KR 90 PP	90.000 3.5433	+0/-0.050 +0/-0.002	35.000 1.3780	+0/-0.12 +0/-0.005	30.000 1.1811	+0/-0.021 +0/-0.0008	63 2.5	1.00 .039	32.0 1.26	100 3.9	500 19.7	N/A	N/A	N/A	41,500 9,330	83,000 18,659
KR 90 B	KR 90 PPB		Cylindrical														
KR 90 X	KR 90 PPX																
KR 90 BX	KR 90 PPBX																
KRE 90	KRE 90 PP	90.000 3.5433	+0/-0.050 +0/-0.002	35.000 1.3780	+0/-0.12 +0/-0.005	30.000 1.1811	+0/-0.021 +0/-0.0008	63 2.5	1.00 .039	32.0 1.26	100 3.9	500 19.7	1.5 .06	29 1.14	35 .38	41,500 9,330	83,000 18,659
KRE 90 PPB			Cylindrical														
KRE 90 PPX																	
KRE 90 PPBX																	

## Metric Stud Type Track Roller Bearings



B <sub>2</sub>	M <sub>1</sub>	M	SW	d <sub>1</sub>	r	HBD		G	M <sub>A</sub>	nDG	Mass	Designation	
Distance lub. hole to washer face	Diameter of lub. hole (shank)	Seat dia. for lub. accessories	Width of flats	Thrust washer outside diameter	Min. Fillet radius	Housing Bore Diameter		Thread Type	Max. tightening torque	Limiting Speed (Grease)	Bearing Weight	W/O Seals	With Seals
mm / inch													
(Ref)	(Ref)	(Ref)	(Ref)	(Ref)	(Ref)	Nom.	Tol.		Nm in-lb	RPM	kg lb		
15 .591	4 .157	8 .31	N/A	53	1.1 .0433	35.050 .3799	+0.025/-0 +0.0009/- 0	M30x1.5	450 3,903	2,200	1.81 3.99	MCFRE 85	MCFRE 85 S
		-	14 .55									MCFRE 85 B	MCFRE 85 SB
		8 .31	N/A									MCFRE 85 X	MCFRE 85 SX
		-	14 .55									MCFRE 85 BX	MCFRE 85 SBX
15 .591	4 .157	8 .31	N/A	53	1.1 .0433	30.000 .1811	+0.021/-0 +0.0008/- 0	M30x1.5	450 3,903	850	1.99 4.39	MCF 90	MCF 90 S
		-	14 .55									MCF 90 B	MCF 90 SB
		8 .31	N/A									MCF 90 X	MCF 90 SX
		-	14 .55									MCF 90 BX	MCF 90 SBX
15 .591	4 .157	8 .31	N/A	53	1.1 .0433	35.050 .3799	+0.025/-0 +0.0009/- 0	M30x1.5	450 3,903	850	1.99 4.39	MCFE 90	MCFE 90 S
		-	14 .55										MCFE 90 SB
		8 .31	N/A										MCFE 90 SX
		-	14 .55										MCFE 90 SBX
15 .591	4 .157	8 .31	N/A	53	1.1 .0433	30.000 .1811	+0.021/-0 +0.0008/- 0	M30x1.5	450 3,903	1,300	1.99 4.39	MCFR 90	MCFR 90 S
		-	14 .55									MCFR 90 B	MCFR 90 SB
		8 .31	N/A									MCFR 90 X	MCFR 90 SX
		-	14 .55									MCFR 90 BX	MCFR 90 SBX
15 .591	4 .157	8 .31	N/A	53	1.1 .0433	35.050 .3799	+0.025/-0 +0.0009/- 0	M30x1.5	450 3,903	1,300	1.99 4.39	MCFRE 90	MCFRE 90 S
		-	14 .55										MCFRE 90 SB
		8 .31	N/A										MCFRE 90 SX
		-	14 .55										MCFRE 90 SBX

# Metric Cam Followers - NUKR, NUKRE



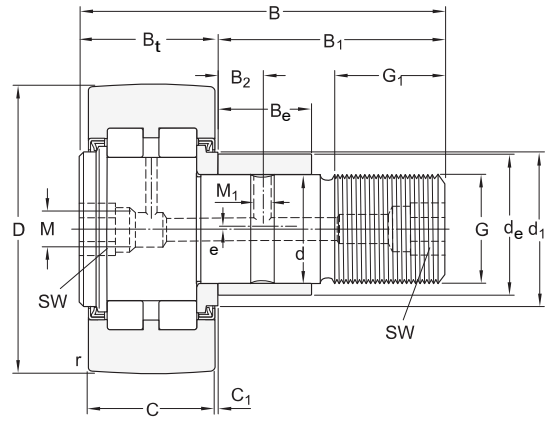
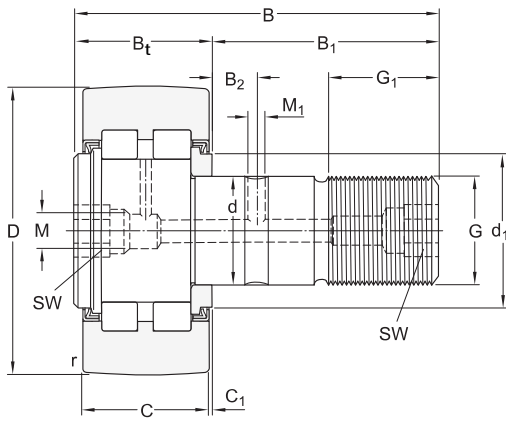
Designation	D		C		d		B <sub>1</sub>	C <sub>1</sub>	G <sub>1</sub>	B	R	e	Be	de	Fr	For
With Shields	Outside Diameter		Outer Ring Width		Stud Diameter		Stud Length	Distance outer ring face to washer face	Min. Thread Length	Total Length	Cylindrical Suffix X	Ecc	Ecc collar width	Ecc collar OD	Max. dynamic radial loads	Max. static radial loads
	mm															
	Nom.	Tol.	Nom.	Tol.	Nom.	Tol.	(Ref)	(Ref)	(Ref)	(Ref)	Radius	(Ref)	+05/-15 +.002/-0.006	(Ref)	N/lb	N/lb
NUKR 35	35.000 1.3780	+0/-0.050	18.000 .7087	+0/-0.12	16.000 .6299	+0/-0.018	32.5	.80	17	52	500 19.7	N/A	N/A	N/A	8,600 1,933	16,800 3,776
NUKRE 35		+0/-0.002					29.5	3.8				1	12	20		
NUKR 35 X		+0/-0.011					32.5	.80				1	12	20		
NUKRE 35 X		+0/-0.0004					29.5	3.8				1	12	20		
NUKR 40	40.000 1.5748	+0/-0.050	20.000 .7874	+0/-0.12	18.000 .7087	+0/-0.018	36.5	.80	19	58	500 19.7	N/A	N/A	N/A	13,100 2,945	22,600 5,080
NUKRE 40		+0/-0.002					1.437	.031				1	14	22		
NUKR 40 X		+0/-0.011					33.5	3.8				1	14	22		
NUKRE 40 X		+0/-0.0004					1.319	0.15				1	14	22		
NUKR 47	47.000 1.8504	+0/-0.050	24.000 .9449	+0/-0.12	20.000 .7874	+0/-0.021	40.5	.80	21.0	66	500 19.7	N/A	N/A	N/A	16,400 3,690	35,000 7,785
NUKRE 47		+0/-0.002					1.6	.031				1	18	24		
NUKR 47 X		+0/-0.011					36.5	.80				1	18	24		
NUKRE 47 X		+0/-0.0004					1.437	.031				1	18	24		
NUKR 52	52.000 2.0472	+0/-0.050	24.000 .9449	+0/-0.12	20.000 .7874	+0/-0.021	40.5	.80	21.0	66	500 19.7	N/A	N/A	N/A	17,300 3,889	37,500 8,430
NUKRE 52		+0/-0.002					1.6	.031				1	18	24		
NUKR 52 X		+0/-0.013					36.5	.80				1	18	24		
NUKRE 52 X		+0/-0.0005					1.437	.031				1	18	24		
NUKR 62	62.000 2.4409	+0/-0.050	29.000 1.1417	+0/-0.12	24.000 .9449	+0/-0.021	49.5	1.3	25.0	80	500 19.7	N/A	N/A	N/A	23,500 5,282	50,000 11,240
NUKRE 62		+0/-0.002					1.9	.051				1	22	28		
NUKR 62 X		+0/-0.013					33.5	3.8				1	22	28		
NUKRE 62 X		+0/-0.0005					1.319	0.15				1	22	28		
NUKR 72	72.000 2.8346	+0/-0.050	29.000 1.1417	+0/-0.12	24.000 .9449	+0/-0.021	49.5	1.3	25.0	80	500 19.7	N/A	N/A	N/A	32,000 7,193	50,000 11,240
NUKRE 72		+0/-0.002					1.9	.051				1	22	28		
NUKR 72 X		+0/-0.013					33.5	3.8				1	22	28		
NUKRE 72 X		+0/-0.0005					1.319	0.15				1	22	28		
NUKR 80	80.000 3.1496	+0/-0.050	35.000 1.3780	+0/-0.12	30.000 1.1811	+0/-0.021	63	1.00	32.0	100	500 19.7	N/A	N/A	N/A	47,500 10,678	98,000 22,030
NUKRE 80		+0/-0.002					2.5	.039				1.5	29	35		
NUKR 80 X		+0/-0.015					33.5	3.8				1.5	29	35		
NUKRE 80 X		+0/-0.0006					1.319	0.15				1.5	29	35		
NUKR 90	90.000 3.5433	+0/-0.050	35.000 1.3780	+0/-0.12	30.000 1.1811	+0/-0.021	63	1.00	32.0	100	500 19.7	N/A	N/A	N/A	77,000 17,309	11,700 26,301
NUKRE 90		+0/-0.002					2.5	.039				1.5	29	35		
NUKR 90 X		+0/-0.015					33.5	3.8				1.5	29	35		
NUKRE 90 X		+0/-0.0006					1.319	0.15				1.5	29	35		

# Metric Stud Type Track Roller Bearings



B <sub>2</sub>	M <sub>1</sub>	M	SW	d <sub>1</sub>	r	HBD		G	M <sub>A</sub>	nDG	Mass	Designation		
Distance lubrication hole to washer face	Diameter of lubrication hole (shank)	Seat diameter for lubrication accessories	Width of flats	Thrust washer outside diameter	Min. Fillet radius	Housing Bore Diameter		Thread Type	Max. tightening torque	Limiting Speed (Grease)	Bearing Weight	With Shields		
(Ref)	(Ref)	(Ref)	(Ref)		(Ref)	Nom.	Tol.		Nm in-lb	RPM	kg lb			
8 .315	3 .118	6 .24	8 .315	20 .787	0.6 .024	16.000	+0.018/-0	M16x1.5	87 752	5,000	.16 .36	MCFD 35		
						20.050	+0.025/-0						MCFDE 35	
						16.000	+0.018/-0							MCFD 35 X
						20.050	+0.025/-0							
						16.000	+0.018/-0							
20.050	+0.025/-0													
8 .315	3 .118	6 .24	8 .315	22 .866	1.0 .04	18.000	+0.018/-0	M18x1.5	120 1,044	4,500	.24 .53	MCFD 40		
						22.050	+0.025/-0						MCFDE 40	
						18.000	+0.018/-0							MCFD 40 X
						22.050	+0.025/-0							
						18.000	+0.018/-0							
22.050	+0.025/-0													
9 .354	4 .157	6 .24	10 .39	27 1.063	1.0 .04	20.000	+0.021/-0	M20x1.5	120 1,044	3,800	.38 .86	MCFD 47		
						24.050	+0.025/-0						MCFDE 47	
						20.000	+0.021/-0							MCFD 47 X
						24.050	+0.025/-0							
						20.000	+0.021/-0							
24.050	+0.025/-0													
9 .354	4 .157	8 .31	10 .39	27 1.063	1.0 .04	20.000	+0.021/-0	M20x1.5	120 1,044	3,200	.45 1.01	MCFD 52		
						24.050	+0.025/-0						MCFDE 52	
						20.000	+0.021/-0							MCFD 52 X
						24.050	+0.025/-0							
						20.000	+0.021/-0							
24.050	+0.025/-0													
12 .472	4 .157	8 .31	14 .55	38 1.5	1.0 0.039	24.000	+0.021/-0	M24x1.5	220 1,912	2,600	.80 1.79	MCFD 62		
						28.050	+0.025/-0						MCFDE 62	
						24.000	+0.021/-0							MCFD 62 X
						28.050	+0.025/-0							
						24.000	+0.021/-0							
28.050	+0.025/-0													
12 .472	4 .157	8 .31	14 .55	44 1.73	1.1 .0433	24.000	+0.021/-0	M24x1.5	220 1,912	2,200	1.02 2.29	MCFD 72		
						28.050	+0.025/-0						MCFDE 72	
						24.000	+0.021/-0							MCFD 72 X
						28.050	+0.025/-0							
						24.000	+0.021/-0							
28.050	+0.025/-0													
15 .591	4 .157	8 .31	14 .55	47 1.85	1.1 .0433	30.000	+0.021/-0	M30x1.5	450 3,903	1,900	1.60 3.60	MCFD 80		
						35.050	+0.025/-0						MCFDE 80	
						30.000	+0.021/-0							MCFD 80 X
						35.050	+0.025/-0							
						30.000	+0.021/-0							
35.050	+0.025/-0													
15 .591	4 .157	8 .31	14 .55	47 1.85	1.1 .0433	30.000	+0.021/-0	M30x1.5	450 3,903	1,800	1.96 4.41	MCFD 90		
						35.050	+0.025/-0						MCFDE 90	
						30.000	+0.021/-0							MCFD 90 X
						35.050	+0.025/-0							
						30.000	+0.021/-0							
35.050	+0.025/-0													

# Metric Cam Followers - PWKR, PWKRE



Designation	D		C		d		B <sub>1</sub>	C <sub>1</sub>	G <sub>1</sub>	B	R	e	Be	de	Fr	For					
With Shields	Outside Diameter		Outer Ring Width		Stud Diameter		Stud Length	Distance outer ring face to washer face	Min. Thread Length	Total Length	Cylindrical Suffix X	Ecc	Ecc collar width	Ecc collar OD	Max. dynamic radial loads	Max. static radial loads					
	mm																				
	Nom.	Tol.	Nom.	Tol.	Nom.	Tol.	(Ref)	(Ref)	(Ref)	(Ref)	Radius	(Ref)	+05/-15 +.002/-006	(Ref)	N/lb	N/lb					
PWKR 35 2RS	35.000 1.3780	+0/-0.050	18.000 .7087	+0/-0.12 +0/-0.005	16.000 .6299	+0/-0.018 +0/-0.0007	32.5	.80	17	52	2.047	N/A	N/A	N/A	8,600	12,500					
PWKRE 35 2RS		+0/-0.002					1.28	.031									29.5	3.8	1	12	20
PWKR 35 X 2RS		+0/-0.011					1.16	0.15									32.5	.80	.04	0.47	.79
PWKRE 35 X 2RS		+0/-0.0004					1.28	.031									29.5	3.8	1	12	20
PWKR 40 2RS	40.000 1.5748	+0/-0.050	20.000 .7874	+0/-0.12 +0/-0.005	18.000 .7087	+0/-0.018 +0/-0.0007	36.5	.80	19	58	2.3	N/A	N/A	N/A	13,100	22,600					
PWKRE 40 2RS		+0/-0.002					1.437	.031									33.5	3.8	1	14	22
PWKR 40 X 2RS		+0/-0.011					1.319	0.15									36.5	.80	.04	0.55	.87
PWKRE 40 X 2RS		+0/-0.0004					1.437	.031									33.5	3.8	1	14	22
PWKR 47 2RS	47.000 1.8504	+0/-0.050	24.000 .9449	+0/-0.12 +0/-0.005	20.000 .7874	+0/-0.021 +0/-0.0008	40.5	.80	21.0	66	2.6	N/A	N/A	N/A	18,300	25,500					
PWKRE 47 2RS		+0/-0.002					1.6	.031									40.5	.80	1	18	24
PWKR 47 X 2RS		+0/-0.011					1.6	.031									40.5	.80	.04	0.71	.94
PWKRE 47 X 2RS		+0/-0.0004					1.6	.031									40.5	.80	1	18	24
PWKR 52 2RS	52.000 2.0472	+0/-0.050	24.000 .9449	+0/-0.12 +0/-0.005	20.000 .7874	+0/-0.021 +0/-0.0008	40.5	.80	21.0	66	2.6	N/A	N/A	N/A	18,600	26,500					
PWKRE 52 2RS		+0/-0.002					1.6	.031									40.5	.80	1	18	24
PWKR 52 X 2RS		+0/-0.013					1.6	.031									40.5	.80	.04	0.71	.94
PWKRE 52 X 2RS		+0/-0.0005					1.6	.031									40.5	.80	1	18	24
PWKR 62 2RS	62.000 2.4409	+0/-0.050	29.000 1.1417	+0/-0.12 +0/-0.005	24.000 .9449	+0/-0.021 +0/-0.0008	49.5	1.3	25.0	80	3.1	N/A	N/A	N/A	20,400	29,000					
PWKRE 62 2RS		+0/-0.002					1.9	.051									49.5	1.3	1	22	28
PWKR 62 X 2RS		+0/-0.013					1.9	.051									49.5	1.3	.04	0.87	.10
PWKRE 62 X 2RS		+0/-0.0005					1.9	.051									49.5	1.3	1	22	28
PWKR 72 2RS	72.000 2.8346	+0/-0.050	29.000 1.1417	+0/-0.12 +0/-0.005	24.000 .9449	+0/-0.021 +0/-0.0008	49.5	1.3	25.0	80	3.1	N/A	N/A	N/A	38,000	46,500					
PWKRE 72 2RS		+0/-0.002					1.9	.051									49.5	1.3	1	22	28
PWKR 72 X 2RS		+0/-0.013					1.9	.051									49.5	1.3	.04	0.87	.10
PWKRE 72 X 2RS		+0/-0.0005					1.9	.051									49.5	1.3	1	22	28
PWKR 80 2RS	80.000 3.1496	+0/-0.050	35.000 1.3780	+0/-0.12 +0/-0.005	30.000 1.1811	+0/-0.021 +0/-0.0008	63	1.00	32.0	100	3.9	N/A	N/A	N/A	57,000	70,000					
PWKRE 80 2RS		+0/-0.002					2.5	.039									63	1.00	1.5	29	35
PWKR 80 X 2RS		+0/-0.015					2.5	.039									63	1.00	.06	1.14	.38
PWKRE 80 X 2RS		+0/-0.0006					2.5	.039									63	1.00	1.5	29	35
PWKR 90 2RS	90.000 3.5433	+0/-0.050	35.000 1.3780	+0/-0.12 +0/-0.005	30.000 1.1811	+0/-0.021 +0/-0.0008	63	1.00	32.0	100	3.9	N/A	N/A	N/A	82,000	82,000					
PWKRE 90 2RS		+0/-0.002					2.5	.039									63	1.00	1.5	29	35
PWKR 90 X 2RS		+0/-0.015					2.5	.039									63	1.00	.06	1.14	.38
PWKRE 90 X 2RS		+0/-0.0006					2.5	.039									63	1.00	1.5	29	35

# Metric Stud Type Track Roller Bearings



B <sub>2</sub>	M <sub>1</sub>	M	SW	d <sub>1</sub>	r	HBD		G	M <sub>A</sub>	nDG	Mass	Designation
Distance lubrication hole to washer face	Diameter of lubrication hole (shank)	Seat diameter for lubrication accessories	Width of flats	Thrust washer outside diameter	Min. Fillet radius	Housing Bore Diameter		Thread Type	Max. tightening torque	Limiting Speed (Grease)	Bearing Weight	With Shields
(Ref)	(Ref)	(Ref)	(Ref)	(Ref)	Nom.	Tol.	Nm in-lb		RPM	kg lb		
8 .315	3 .118	6 .24	8 .315	20	0.6 .024	16.000	+0.018/-0	M16x1.5	87 752	5,000	.16	PWKR 35 2RS
				.787		.63	+0.0007/-0				.36	
				27.6		20.050	+0.025/-0				.18	
				1.087		.7894	+0.0009/-0				.405	
				20		16.000	+0.018/-0				.16	
				0.787		.63	+0.0007/-0				.36	
8 .315	3 .118	6 .24	8 .315	27.6	1.0 .04	20.050	+0.025/-0	M18x1.5	120 1,044	4,500	.24	PWKR 40 2RS
				1.087		.7894	+0.0009/-0				.53	
				22		18.000	+0.018/-0				.26	
				866		.7087	+0.0007/-0				.585	
				30		22.050	+0.025/-0				.24	
				1.181		.8681	+0.0009/-0				.585	
9 .354	4 .157	6 .24	10 .39	22	1.0 .04	18.000	+0.018/-0	M20x1.5	120 1,044	3,800	.38	PWKR 47 2RS
				866		.7087	+0.0007/-0				.86	
				30		22.050	+0.025/-0				.40	
				1.181		.8681	+0.0009/-0				.90	
				22		18.000	+0.018/-0				.38	
				866		.7087	+0.0007/-0				.86	
9 .354	4 .157	8 .31	10 .39	27	1.0 .04	20.000	+0.021/-0	M20x1.5	120 1,044	3,200	.45	PWKR 52 2RS
				1.063		.7874	+0.0008/-0				.47	
				20.000		24.050	+0.025/-0				1.06	
				1.063		.9469	+0.0009/-0				1.06	
				27		20.000	+0.021/-0				.45	
				1.063		.7874	+0.0008/-0				1.01	
12 .472	4 .157	8 .31	14 .55	38	1.0 0.039	24.050	+0.025/-0	M24x1.5	220 1,912	2,600	.80	PWKR 62 2RS
				1.5		.9449	+0.0008/-0				1.79	
				1.5		28.050	+0.025/-0				.82	
				1.5		.1043	+0.0009/-0				1.85	
				1.5		24.000	+0.021/-0				.80	
				1.5		.9449	+0.0008/-0				1.79	
12 .472	4 .157	8 .31	14 .55	44	1.1 .0433	28.050	+0.025/-0	M24x1.5	220 1,912	2,200	1.02	PWKR 72 2RS
				1.73		.1043	+0.0009/-0				2.29	
				1.73		24.000	+0.021/-0				1.05	
				1.73		.9449	+0.0008/-0				2.36	
				1.73		28.050	+0.025/-0				1.02	
				1.73		.1043	+0.0009/-0				2.29	
15 .591	4 .157	8 .31	14 .55	47	1.1 .0433	30.000	+0.021/-0	M30x1.5	450 3,903	1,900	1.60	PWKR 80 2RS
				1.85		.1811	+0.0008/-0				3.60	
				1.85		35.050	+0.025/-0				1.67	
				1.85		.3799	+0.0009/-0				3.76	
				1.85		30.000	+0.021/-0				1.60	
				1.85		.1811	+0.0008/-0				3.60	
15 .591	4 .157	8 .31	14 .55	47	1.1 .0433	35.050	+0.025/-0	M30x1.5	450 3,903	1,800	1.96	PWKR 90 2RS
				1.85		.3799	+0.0009/-0				4.41	
				1.85		30.000	+0.021/-0				2.02	
				1.85		.1811	+0.0008/-0				4.55	
				1.85		35.050	+0.025/-0				1.96	
				1.85		.3799	+0.0009/-0				4.41	

## Interchange of Cam Follower - Metric

INA SKF C&H	NTN	IKO	THK	NSK	KOYO	Mc.GILL	Smith
KR	KR..H	CF..BR	CF..R-A	FCJB..R	KM..RHM	MCFR...-B	MCR...-B
KR..PP	KR..LLH	CF..BUUR	CF..UUR-A	FCJSB..R	KM..UURHM	MCFR...-SB	MCR...-SB
KR..X	KR..XH	CF..B	CF..-A	FCJB..	KM..HMM	MCFR...-BX	MCR...-BC
KR..PPX	KR..XLLH	CF..BUU	CF..UU-A	FCJSB..	KM..UUHM	MCFR...-SBX	MCR...-SBC
KR	KR	CF..R	CF..R	FCJ..R	KM..RM	MCFR..	MCR..
KR..PP	KR..LL	CF..UUR	CF..UUR	FCJS..R	KM..UURM	MCFR...-S	MCR...-S
KR..X	KR..X	CF	CF	FCJ..	KM..M	MCFR...-X	MCR...-C
KR..PPX	KR..XLL	CF..UU	CF..UU	FCJS..	KM..UUM	MCFR...-SX	MCR...-SC
KRV	KRV..H	CF..VBR		FCRB..R	CM..RHM	MCF...-B	MCV...-B
KRV..PP	KRV..LLH	CF..VBUUR		FCRSB..R	CM..UURHM	MCF...-SB	MCV...-SB
KRV..X	KRV..XH	CF..VB	CF..V-A	FCRB..	CM..HM	MCF...-BX	MCV...-BC
KRV..PPX	KRV..XLLH	CF..VBUU	CF..VUU-A	FCRSB..	CM..UUHM	MCF...-SBX	MCV...-SBC
KRV	KRV	CF..VR		FCR...R	CM..RM	MCF..	MCV..
KRV..PP	KRV..LL	CF..VUUR		FCRS..R	CM..UURM	MCF...-S	MCV...-S
KRV..X	KRV..X	CF..V		FCR..	CM..M	MCF...-X	MCV...-C
KRV..PPX	KRV..XLL	CF..VUU		FCRS..	CM..UUM	MCF...-SX	MCV...-SC
KRE..PP		CFE..BUUR		FCJSBE..R		MCFRE..SB	MCR..SBE
KRVE..PP		CFE..VBUUR		FCRSBE..R		MCFE..SB	MCV..SBE
KRE..PPX		CFE..BUU		FCJSBE..		MCFRE..SBX	MCR..SBCE
KRVE..PPX		CFE..VBUU		FCRSBE..		MCFE..SBX	MCV..SBCE

INA SKF NTN C&H		IKO THK		McGill		Smith	
Cage	Full Roller	Cage	Full Roller	Cage	Full Roller	Cage	Full Roller
--	--	CF5	CF5V	MCFR-13	MCF-13	MCR-13	MCV-13
KR-16	KRV-16	CF6R	CF6VR	MCFR-16	MCF-16	MCR-16	MCV-16
KR-19	KRV-19	CF8R	CF8VR	MCFR-19	MCF-19	MCR-19	MCV-19
KR-22	KRV-22	--	--	MCFR-22	MCF-22	MCR-22	MCV-22
--	--	CF10R	CF10VR	MCFR-22A	MCF-22A		
KR-26	KRV-26	--	--	MCFR-26	MCF-26	MCR-26	MCV-26
--	--	CF10-1R	CF10-1VR	MCFR-26A	MCF-26A		
KR-30	KRV-30	CF12R	CF12VR	MCFR-30	MCF-30	MCR-30	MCV-30
KR-32	KRV-32	CF12-1R	CF12-1VR	MCFR-32	MCF-32	MCR-32	MCV-32
KR-35	KRV-35	CF16R	CF16VR	MCFR-35	MCF-35	MCR-35	MCV-35
KR-40	KRV-40	--	--	MCFR-40	MCF-40	MCR-40	MCV-40
--	--	CF18R	CF18VR	MCFR-40A	MCF-40A		
KR-47	KRV-47	--	--	MCFR-47	MCF-47	MCR-47	MCV-47
--	--	CF20-1R	CF20-1VR	MCFR-47A	MCF-47A		
KR-52	KRV-52	--	--	MCFR-52	MCF-52	MCR-52	MCV-52
--	--	CF20R	CF20VR	MCFR-52A	MCF-52A		
KR-62	KRV-62	--	--	MCFR-62	MCF-62	MCR-62	MCV-62
--	--	CF24R	CF24VR	MCFR-62A	MCF-62A		
KR-72	KRV-72	--	--	MCFR-72	MCF-72	MCR-72	MCV-72
--	--	CF24-1R	CF24-1VR	MCFR-72A	MCF-72A		
KR-80	KRV-80	CF30R	CF30VR	MCFR-80	MCF-80	MCR-80	MCV-80
KR-85	--	CF30-1R	CF30-1VR	MCFR-85	MCF-85	MCR-85	MCV-85
KR-90	KRV-90	CF30-2R	CF30-2VR	MCFR-90	MCF-90	MCR-90	MCV-90

## Coding for Other Cam Follower and Yoke Roller Types

Optional Features	SKF.INA.C&H	IKO	THK	NTN	McGill	Smith
Sealed	add suffix "PP"	add suffix "UU"	add suffix "UU"	add suffix "LL"	add suffix "S"	add suffix "S"
Cylindrical O.D.	add suffix "X"	remove suffix "R"	remove suffix "R"	add suffix "X"	add suffix "X"	add suffix "C"
Hex-Drive	add suffix "SK"	add suffix "B"	add suffix "A"	add suffix "H"	add suffix "B"	add suffix "B"
Eccentric	add prefix "E"	add prefix "E"			add prefix "E"	add suffix "E"

# Interchange of Different Brand Cam Follower

Metric Inch	With Cage Full Roller	Crowned OD Cylindrical OD	Hex Socket Slot Socket	With Seals W/O Seals	Concentric Eccentric		
<b>INA SKF</b>	<b>NTN</b>	<b>IKO</b>	<b>THK</b>	<b>NSK</b>	<b>KOYO</b>	<b>Mc.GILL</b>	<b>SMITH</b>
-	KR10T2H/3AS	-	CF 3R	FCJB-10R	-	-	-
-	KR12T2H/3AS	-	CF 4R	FCJB-12R	-	-	-
-	KR13T2H/3AS	-	CF 5R-A	-	-	MCFR-13-B	MCR-13-B
KR16SK	KR16H/3AS	CF 6BR	CF 6R-A	FCJB-16R	KM 6RHM	MCFR-16-B	MCR-16-B
KR19SK	KR19H/3AS	CF 8BR	CF 8R-A	FCJB-19R	KM 8RHM	MCFR-19-B	MCR-19-B
KR22	KR22H	CF10BR	CF10R-A	FCJB-22R	KM10RHM	MCFR-22-B	MCR-22-B
KR26	KR26H	CF10-1BR	CF10-1R-A	FCJB-26R	KM10-1RHM	MCFR-26-B	MCR-26-B
KR30	KR30H	CF12BR	CF12R-A	FCJB-30R	KM12RHM	MCFR-30-B	MCR-30-B
KR32	KR32H	CF12-1BR	CF12-1R-A	FCJB-32R	KM12-1RHM	MCFR-32-B	MCR-32-B
KR35	KR35H	CF16BR	CF16R-A	FCJB-35R	KM16RHM	MCFR-35-B	MCR-35-B
KR40	KR40H	CF18BR	CF18R-A	FCJB-40R	KM18RHM	MCFR-40-B	MCR-40-B
KR47	KR47H	CF20-1BR	CF20-1R-A	FCJB-47R	KM20RHM	MCFR-47-B	MCR-47-B
KR52	KR52H	CF20BR	CF20R-A	FCJB-52R	KM20-1RHM	MCFR-52-B	MCR-52-B
KR62	KR62H	CF24BR	CF24R-A	FCJB-62R	KM24RHM	MCFR-62-B	MCR-62-B
KR72	KR72H	CF24-1BR	CF24-1R-A	FCJB-72R	KM24-1RHM	MCFR-72-B	MCR-72-B
KR80	KR80H	CF30BR	CF30R-A	FCJB-80R	KM30RHM	MCFR-80-B	MCR-80-B
KR85	KR85H	CF30-1BR	CF30-1R-A	FCJB-85R	KM30-1RHM	MCFR-85-B	MCR-85-B
KR90	KR90H	CF30-2BR	CF30-2R-A	FCJB-90R	KM30-2RHM	MCFR-90-B	MCR-90-B

Metric Inch	With Cage Full Roller	Crowned OD Cylindrical OD	Hex Socket Slot Socket	With Seals W/O Seals	Concentric Eccentric		
<b>INA SKF</b>	<b>NTN</b>	<b>IKO</b>	<b>THK</b>	<b>NSK</b>	<b>KOYO</b>	<b>Mc.GILL</b>	<b>SMITH</b>
-	KR10T2LLH/3AS	-	CF 3UUR	FCJSB-10R	-	-	-
-	KR12T2LLH/3AS	-	CF 4UUR	FCJSB-12R	-	-	-
-	KR13T2LLH/3AS	-	CF 5UUR-A	-	-	MCFR-13-SB	MCR-13-SB
KR16PPSK	KR16LLH/3AS	CF 6BUUR	CF 6UUR-A	FCJSB-16R	KM 6UURHM	MCFR-16-SB	MCR-16-SB
KR19PPSK	KR19LLH/3AS	CF 8BUUR	CF 8UUR-A	FCJSB-19R	KM 8UURHM	MCFR-19-SB	MCR-19-SB
KR22PP	KR22LLH	CF10BUUR	CF10UUR-A	FCJSB-22R	KM10UURHM	MCFR-22-SB	MCR-22-SB
KR26PP	KR26LLH	CF10-1BUUR	CF10-1UUR-A	FCJSB-26R	KM10-1UURHM	MCFR-26-SB	MCR-26-SB
KR30PP	KR30LLH	CF12BUUR	CF12UUR-A	FCJSB-30R	KM12UURHM	MCFR-30-SB	MCR-30-SB
KR32PP	KR32LLH	CF12-1BUUR	CF12-1UUR-A	FCJSB-32R	KM12-1UURHM	MCFR-32-SB	MCR-32-SB
KR35PP	KR35LLH	CF16BUUR	CF16UUR-A	FCJSB-35R	KM16UURHM	MCFR-35-SB	MCR-35-SB
KR40PP	KR40LLH	CF18BUUR	CF18UUR-A	FCJSB-40R	KM18UURHM	MCFR-40-SB	MCR-40-SB
KR47PP	KR47LLH	CF20-1BUUR	CF20-1UUR-A	FCJSB-47R	KM20UURHM	MCFR-47-SB	MCR-47-SB
KR52PP	KR52LLH	CF20BUUR	CF20UUR-A	FCJSB-52R	KM20-1UURHM	MCFR-52-SB	MCR-52-SB
KR62PP	KR62LLH	CF24BUUR	CF24UUR-A	FCJSB-62R	KM24UURHM	MCFR-62-SB	MCR-62-SB
KR72PP	KR72LLH	CF24-1BUUR	CF24-1UUR-A	FCJSB-72R	KM24-1UURHM	MCFR-72-SB	MCR-72-SB
KR80PP	KR80LLH	CF30BUUR	CF30UUR-A	FCJSB-80R	KM30UURHM	MCFR-80-SB	MCR-80-SB
KR85PP	KR85LLH	CF30-1BUUR	CF30-1UUR-A	FCJSB-85R	KM30-1UURHM	MCFR-85-SB	MCR-85-SB
KR90PP	KR90LLH	CF30-2BUUR	CF30-2UUR-A	FCJSB-90R	KM30-2UURHM	MCFR-90-SB	MCR-90-SB

Metric Inch	With Cage Full Roller	Crowned OD Cylindrical OD	Hex Socket Slot Socket	With Seals W/O Seals	Concentric Eccentric		
<b>INA SKF</b>	<b>NTN</b>	<b>IKO</b>	<b>THK</b>	<b>NSK</b>	<b>KOYO</b>	<b>Mc.GILL</b>	<b>SMITH</b>
-	KR10XT2H/3AS	CF 3B	CF 3	FCJB-10	-	-	-
-	KR12XT2H/3AS	CF 4B	CF 4	FCJB-12	-	-	-
-	KR13XT2H/3AS	CF 5B	CF 5-A	-	-	MCFR-13-BX	MCR-13-BC
KR16SKX	KR16XH/3AS	CF 6B	CF 6-A	FCJB-16	KM 6HM	MCFR-16-BX	MCR-16-BC
KR19SKX	KR19XH/3AS	CF 8B	CF 8-A	FCJB-19	KM 8HM	MCFR-19-BX	MCR-19-BC
KR22X	KR22XH	CF10B	CF10-A	FCJB-22	KM10HM	MCFR-22-BX	MCR-22-BC
KR26X	KR26XH	CF10-1B	CF10-1-A	FCJB-26	KM10-1HM	MCFR-26-BX	MCR-26-BC
KR30X	KR30XH	CF12B	CF12-A	FCJB-30	KM12HM	MCFR-30-BX	MCR-30-BC
KR32X	KR32XH	CF12-1B	CF12-1-A	FCJB-32	KM12-1HM	MCFR-32-BX	MCR-32-BC
KR35X	KR35XH	CF16B	CF16-A	FCJB-35	KM16HM	MCFR-35-BX	MCR-35-BC
KR40X	KR40XH	CF18B	CF18-A	FCJB-40	KM18HM	MCFR-40-BX	MCR-40-BC
KR47X	KR47XH	CF20-1B	CF20-1-A	FCJB-47	KM20HM	MCFR-47-BX	MCR-47-BC
KR52X	KR52XH	CF20B	CF20-A	FCJB-52	KM20-1HM	MCFR-52-BX	MCR-52-BC
KR62X	KR62XH	CF24B	CF24-A	FCJB-62	KM24HM	MCFR-62-BX	MCR-62-BC
KR72X	KR72XH	CF24-1B	CF24-1-A	FCJB-72	KM24-1HM	MCFR-72-BX	MCR-72-BC
KR80X	KR80XH	CF30B	CF30-A	FCJB-80	KM30HM	MCFR-80-BX	MCR-80-BC
KR85X	KR85XH	CF30-1B	CF30-1-A	FCJB-85	KM30-1HM	MCFR-85-BX	MCR-85-BC
KR90X	KR90XH	CF30-2B	CF30-2-A	FCJB-90	KM30-2HM	MCFR-90-BX	MCR-90-BC

Metric Inch	With Cage Full Roller	Crowned OD Cylindrical OD	Hex Socket Slot Socket	With Seals W/O Seals	Concentric Eccentric		
<b>INA SKF</b>	<b>NTN</b>	<b>IKO</b>	<b>THK</b>	<b>NSK</b>	<b>KOYO</b>	<b>Mc.GILL</b>	<b>SMITH</b>
-	KR10XT2LLH/3AS	CF 3BUU	CF 3UU	-	-	-	-
-	KR12XT2LLH/3AS	CF 4BUU	CF 4UU	-	-	-	-
-	KR13XT2LLH/3AS	CF 5BUU	CF 5UU-A	-	-	MCFR-13-SBX	MCR-13-SBC
KR16PPSKX	KR16XLLH/3AS	CF 6BUU	CF 6UU-A	FCJSB-16	KM 6UUHM	MCFR-16-SBX	MCR-16-SBC
KR19PPSKX	KR19XLLH/3AS	CF 8BUU	CF 8UU-A	FCJSB-19	KM 8UUHM	MCFR-19-SBX	MCR-19-SBC
KR22PPX	KR22XLLH/3AS	CF10BUU	CF10UU-A	FCJSB-22	KM10UUHM	MCFR-22-SBX	MCR-22-SBC
KR26PPX	KR26XLLH/3AS	CF10-1BUU	CF10-1UU-A	FCJSB-26	KM10-1UUHM	MCFR-26-SBX	MCR-26-SBC
KR30PPX	KR30XLLH/3AS	CF12BUU	CF12UU-A	FCJSB-30	KM12UUHM	MCFR-30-SBX	MCR-30-SBC
KR32PPX	KR32XLLH/3AS	CF12-1BUU	CF12-1UU-A	FCJSB-32	KM12-1UUHM	MCFR-32-SBX	MCR-32-SBC
KR35PPX	KR35XLLH/3AS	CF16BUU	CF16UU-A	FCJSB-35	KM16UUHM	MCFR-35-SBX	MCR-35-SBC
KR40PPX	KR40XLLH/3AS	CF18BUU	CF18UU-A	FCJSB-40	KM18UUHM	MCFR-40-SBX	MCR-40-SBC
KR47PPX	KR47XLLH/3AS	CF20-1BUU	CF20-1UU-A	FCJSB-47	KM20UUHM	MCFR-47-SBX	MCR-47-SBC
KR52PPX	KR52XLLH/3AS	CF20BUU	CF20UU-A	FCJSB-52	KM20-1UUHM	MCFR-52-SBX	MCR-52-SBC
KR62PPX	KR62XLLH/3AS	CF24BUU	CF24UU-A	FCJSB-62	KM24UUHM	MCFR-62-SBX	MCR-62-SBC
KR72PPX	KR72XLLH/3AS	CF24-1BUU	CF24-1UU-A	FCJSB-72	KM24-1UUHM	MCFR-72-SBX	MCR-72-SBC
KR80PPX	KR80XLLH/3AS	CF30BUU	CF30UU-A	FCJSB-80	KM30UUHM	MCFR-80-SBX	MCR-80-SBC
KR85PPX	KR85XLLH/3AS	CF30-1BUU	CF30-1UU-A	FCJSB-85	KM30-1UUHM	MCFR-85-SBX	MCR-85-SBC
KR90PPX	KR90XLLH/3AS	CF30-2BUU	CF30-2UU-A	FCJSB-90	KM30-2UUHM	MCFR-90-SBX	MCR-90-SBC



# Interchange of Different Brand Cam Follower

Metric Inch	With Cage Full Roller	Crowned OD Cylindrical OD	Hex Socket Slot Socket	With Seals W/O Seals	Concentric Eccentric		
<b>INA SKF</b>	<b>NTN</b>	<b>IKO</b>	<b>THK</b>	<b>NSK</b>	<b>KOYO</b>	<b>Mc.GILL</b>	<b>SMITH</b>
-	-	-	CF 5R	-	-	MCFR-13	MCR-13
KR16	KR16	CF 6R	CF 6R	FCJ-16R	KM 6RM	MCFR-16	MCR-16
KR19	KR19	CF 8R	CF 8R	FCJ-19R	KM 8RM	MCFR-19	MCR-19
-	KR22	CF10R	CF10R	FCJ-22R	KM10RM	MCFR-22	MCR-22
-	KR26	CF10-1R	CF10-1R	FCJ-26R	KM10-1RM	MCFR-26	MCR-26
-	KR30	CF12R	CF12R	FCJ-30R	KM12RM	MCFR-30	MCR-30
-	KR32	CF12-1R	CF12-1R	FCJ-32R	KM12-1RM	MCFR-32	MCR-32
-	KR35	CF16R	CF16R	FCJ-35R	KM16RM	MCFR-35	MCR-35
-	KR40	CF18R	CF18R	FCJ-40R	KM18RM	MCFR-40	MCR-40
-	KR47	CF20-1R	CF20-1R	FCJ-47R	KM20RM	MCFR-47	MCR-47
-	KR52	CF20R	CF20R	FCJ-52R	KM20-1RM	MCFR-52	MCR-52
-	KR62	CF24R	CF24R	FCJ-62R	KM24RM	MCFR-62	MCR-62
-	KR72	CF24-1R	CF24-1R	FCJ-72R	KM24-1RM	MCFR-72	MCR-72
-	KR80	CF30R	CF30R	FCJ-80R	KM30RM	MCFR-80	MCR-80
-	KR85	CF30-1R	CF30-1R	FCJ-85R	KM30-1RM	MCFR-85	MCR-85
-	KR90	CF30-2R	CF30-2R	FCJ-90R	KM30-2RM	MCFR-90	MCR-90

Metric Inch	With Cage Full Roller	Crowned OD Cylindrical OD	Hex Socket Slot Socket	With Seals W/O Seals	Concentric Eccentric		
<b>INA SKF</b>	<b>NTN</b>	<b>IKO</b>	<b>THK</b>	<b>NSK</b>	<b>KOYO</b>	<b>Mc.GILL</b>	<b>SMITH</b>
-	-	-	CF 5UUR	-	-	MCFR-13-S	MCR-13-S
KR16PP	KR16LL/3AS	CF 6UUR	CF 6UUR	FCJS-16R	KM 6UURM	MCFR-16-S	MCR-16-S
KR19PP	KR19LL/3AS	CF 8UUR	CF 8UUR	FCJS-19R	KM 8UURM	MCFR-19-S	MCR-19-S
-	KR22LL/3AS	CF10UUR	CF10UUR	FCJS-22R	KM10UURM	MCFR-22-S	MCR-22-S
-	KR26LL/3AS	CF10-1UUR	CF10-1UUR	FCJS-26R	KM10-1UURM	MCFR-26-S	MCR-26-S
-	KR30LL/3AS	CF12UUR	CF12UUR	FCJS-30R	KM12UURM	MCFR-30-S	MCR-30-S
-	KR32LL/3AS	CF12-1UUR	CF12-1UUR	FCJS-32R	KM12-1UURM	MCFR-32-S	MCR-32-S
-	KR35LL/3AS	CF16UUR	CF16UUR	FCJS-35R	KM16UURM	MCFR-35-S	MCR-35-S
-	KR40LL/3AS	CF18UUR	CF18UUR	FCJS-40R	KM18UURM	MCFR-40-S	MCR-40-S
-	KR47LL/3AS	CF20-1UUR	CF20-1UUR	FCJS-47R	KM20UURM	MCFR-47-S	MCR-47-S
-	KR52LL/3AS	CF20UUR	CF20UUR	FCJS-52R	KM20-1UURM	MCFR-52-S	MCR-52-S
-	KR62LL/3AS	CF24UUR	CF24UUR	FCJS-62R	KM24UURM	MCFR-62-S	MCR-62-S
-	KR72LL/3AS	CF24-1UUR	CF24-1UUR	FCJS-72R	KM24-1UURM	MCFR-72-S	MCR-72-S
-	KR80LL/3AS	CF30UUR	CF30UUR	FCJS-80R	KM30UURM	MCFR-80-S	MCR-80-S
-	KR85LL/3AS	CF30-1UUR	CF30-1UUR	FCJS-85R	KM30-1UURM	MCFR-85-S	MCR-85-S
-	KR90LL/3AS	CF30-2UUR	CF30-2UUR	FCJS-90R	KM30-2UURM	MCFR-90-S	MCR-90-S

Metric Inch	With Cage Full Roller	Crowned OD Cylindrical OD	Hex Socket Slot Socket	With Seals W/O Seals	Concentric Eccentric		
<b>INA SKF</b>	<b>NTN</b>	<b>IKO</b>	<b>THK</b>	<b>NSK</b>	<b>KOYO</b>	<b>Mc.GILL</b>	<b>SMITH</b>
-	-	CF 3	-	-	-	-	-
-	-	CF 4	-	-	-	-	-
-	-	CF 5	CF 5	-	-	MCFR-13-X	MCR-13-C
KR16X	KR16X	CF 6	CF 6	FCJ-16	KM 6M	MCFR-16-X	MCR-16-C
KR19X	KR19X	CF 8	CF 8	FCJ-19	KM 8M	MCFR-19-X	MCR-19-C
KR22X	KR22X	CF10	CF10	FCJ-22	KM10M	MCFR-22-X	MCR-22-C
-	KR26X	CF10-1	CF10-1	FCJ-26	KM10-1M	MCFR-26-X	MCR-26-C
-	KR30X	CF12	CF12	FCJ-30	KM12M	MCFR-30-X	MCR-30-C
-	KR32X	CF12-1	CF12-1	FCJ-32	KM12-1M	MCFR-32-X	MCR-32-C
-	KR35X	CF16	CF16	FCJ-35	KM16M	MCFR-35-X	MCR-35-C
-	KR40X	CF18	CF18	FCJ-40	KM18M	MCFR-40-X	MCR-40-C
-	KR47X	CF20-1	CF20-1	FCJ-47	KM20M	MCFR-47-X	MCR-47-C
-	KR52X	CF20	CF20	FCJ-52	KM20-1M	MCFR-52-X	MCR-52-C
-	KR62X	CF24	CF24	FCJ-62	KM24M	MCFR-62-X	MCR-62-C
-	KR72X	CF24-1	CF24-1	FCJ-72	KM24-1M	MCFR-72-X	MCR-72-C
-	KR80X	CF30	CF30	FCJ-80	KM30M	MCFR-80-X	MCR-80-C
-	KR85X	CF30-1	CF30-1	FCJ-85	KM30-1M	MCFR-85-X	MCR-85-C
-	KR90X	CF30-2	CF30-2	FCJ-90	KM30-2M	MCFR-90-X	MCR-90-C

Metric Inch	With Cage Full Roller	Crowned OD Cylindrical OD	Hex Socket Slot Socket	With Seals W/O Seals	Concentric Eccentric		
<b>INA SKF</b>	<b>NTN</b>	<b>IKO</b>	<b>THK</b>	<b>NSK</b>	<b>KOYO</b>	<b>Mc.GILL</b>	<b>SMITH</b>
-	-	CF 3UU	-	-	-	-	-
-	-	CF 4UU	-	-	-	-	-
-	-	CF 5UU	CF 5UU	-	-	MCFR-13-SX	MCR-13-SC
KR16PPX	KR16XLL/3AS	CF 6UU	CF 6UU	FCJS-16	KM 6UUM	MCFR-16-SX	MCR-16-SC
KR19PPX	KR19XLL/3AS	CF 8UU	CF 8UU	FCJS-19	KM 8UUM	MCFR-19-SX	MCR-19-SC
-	KR22XLL/3AS	CF10UU	CF10UU	FCJS-22	KM10UUM	MCFR-22-SX	MCR-22-SC
-	KR26XLL/3AS	CF10-1UU	CF10-1UU	FCJS-26	KM10-1UUM	MCFR-26-SX	MCR-26-SC
-	KR30XLL/3AS	CF12UU	CF12UU	FCJS-30	KM12UUM	MCFR-30-SX	MCR-30-SC
-	KR32XLL/3AS	CF12-1UU	CF12-1UU	FCJS-32	KM12-1UUM	MCFR-32-SX	MCR-32-SC
-	KR35XLL/3AS	CF16UU	CF16UU	FCJS-35	KM16UUM	MCFR-35-SX	MCR-35-SC
-	KR40XLL/3AS	CF18UU	CF18UU	FCJS-40	KM18UUM	MCFR-40-SX	MCR-40-SC
-	KR47XLL/3AS	CF20-1UU	CF20-1UU	FCJS-47	KM20UUM	MCFR-47-SX	MCR-47-SC
-	KR52XLL/3AS	CF20UU	CF20UU	FCJS-52	KM20-1UUM	MCFR-52-SX	MCR-52-SC
-	KR62XLL/3AS	CF24UU	CF24UU	FCJS-62	KM24UUM	MCFR-62-SX	MCR-62-SC
-	KR72XLL/3AS	CF24-1UU	CF24-1UU	FCJS-72	KM24-1UUM	MCFR-72-SX	MCR-72-SC
-	KR80XLL/3AS	CF30UU	CF30UU	FCJS-80	KM30UUM	MCFR-80-SX	MCR-80-SC
-	KR85XLL/3AS	CF30-1UU	CF30-1UU	FCJS-85	KM30-1UUM	MCFR-85-SX	MCR-85-SC
-	KR90XLL/3AS	CF30-2UU	CF30-2UU	FCJS-90	KM30-2UUM	MCFR-90-SX	MCR-90-SC

# Interchange of Different Brand Cam Follower

Metric Inch	With Cage Full Roller	Crowned OD Cylindrical OD	Hex Socket Slot Socket	With Seals W/O Seals	Concentric Eccentric		
<b>INA SKF</b>	<b>NTN</b>	<b>IKO</b>	<b>THK</b>	<b>NSK</b>	<b>KOYO</b>	<b>Mc.GILL</b>	<b>SMITH</b>
-	KRV10H/3AS	-	-	-	-	-	-
-	KRV12H/3AS	-	-	-	-	-	-
-	KRV13H/3AS	-	-	-	-	MCF-13-B	MCV-13-B
KRV16SK	KRV16H/3AS	CF 6VBR	-	FCRB-16R	CM 6RHM	MCF-16-B	MCV-16-B
KRV19SK	KRV19H/3AS	CF 8VBR	-	FCRB-19R	CM 8RHM	MCF-19-B	MCV-19-B
KRV22	KRV22H/3AS	CF10VBR	-	FCRB-22R	CM10RHM	MCF-22-B	MCV-22-B
KRV26	KRV26H/3AS	CF10-1VBR	-	FCRB-26R	CM10-1RHM	MCF-26-B	MCV-26-B
KRV30	KRV30H/3AS	CF12VBR	-	FCRB-30R	CM12RHM	MCF-30-B	MCV-30-B
KRV32	KRV32H/3AS	CF12-1VBR	-	FCRB-32R	CM12-1RHM	MCF-32-B	MCV-32-B
KRV35	KRV35H/3AS	CF16VBR	-	FCRB-35R	CM16RHM	MCF-35-B	MCV-35-B
KRV40	KRV40H/3AS	CF18VBR	-	FCRB-40R	CM18RHM	MCF-40-B	MCV-40-B
KRV47	KRV47H/3AS	CF20-1VBR	-	FCRB-47R	CM20RHM	MCF-47-B	MCV-47-B
KRV52	KRV52H/3AS	CF20VBR	-	FCRB-52R	CM20-1RHM	MCF-52-B	MCV-52-B
KRV62	KRV62H/3AS	CF24VBR	-	FCRB-62R	CM24RHM	MCF-62-B	MCV-62-B
KRV72	KRV72H/3AS	CF24-1VBR	-	FCRB-72R	CM24-1RHM	MCF-72-B	MCV-72-B
KRV80	KRV80H/3AS	CF30VBR	-	FCRB-80R	CM30RHM	MCF-80-B	MCV-80-B
-	-	CF30-1VBR	-	FCRB-85R	CM30-1RHM	MCF-85-B	MCV-85-B
KRV90	KRV90H/3AS	CF30-2VBR	-	FCRB-90R	CM30-2RHM	MCF-90-B	MCV-90-B

Metric Inch	With Cage Full Roller	Crowned OD Cylindrical OD	Hex Socket Slot Socket	With Seals W/O Seals	Concentric Eccentric		
<b>INA SKF</b>	<b>NTN</b>	<b>IKO</b>	<b>THK</b>	<b>NSK</b>	<b>KOYO</b>	<b>Mc.GILL</b>	<b>SMITH</b>
-	KRV10LLH/3AS	-	-	-	-	-	-
-	KRV12LLH/3AS	-	-	-	-	-	-
-	KRV13LLH/3AS	-	-	-	-	MCF-13-SB	MCV-13-SB
KRV16PPSK	KRV16LLH/3AS	CF 6VBUUR	-	FCRB-16UUR	CM 6UURHM	MCF-16-SB	MCV-16-SB
KRV19PPSK	KRV19LLH/3AS	CF 8VBUUR	-	FCRB-19UUR	CM 8UURHM	MCF-19-SB	MCV-19-SB
KRV22PP	KRV22LLH/3AS	CF10VBUUR	-	FCRB-22UUR	CM10UURHM	MCF-22-SB	MCV-22-SB
KRV26PP	KRV26LLH/3AS	CF10-1VBUUR	-	FCRB-26UUR	CM10-1UURHM	MCF-26-SB	MCV-26-SB
KRV30PP	KRV30LLH/3AS	CF12VBUUR	-	FCRB-30UUR	CM12UURHM	MCF-30-SB	MCV-30-SB
KRV32PP	KRV32LLH/3AS	CF12-1VBUUR	-	FCRB-32UUR	CM12-1UURHM	MCF-32-SB	MCV-32-SB
KRV35PP	KRV35LLH/3AS	CF16VBUUR	-	FCRB-35UUR	CM16UURHM	MCF-35-SB	MCV-35-SB
KRV40PP	KRV40LLH/3AS	CF18VBUUR	-	FCRB-40UUR	CM18UURHM	MCF-40-SB	MCV-40-SB
KRV47PP	KRV47LLH/3AS	CF20-1VBUUR	-	FCRB-47UUR	CM20UURHM	MCF-47-SB	MCV-47-SB
KRV52PP	KRV52LLH/3AS	CF20VBUUR	-	FCRB-52UUR	CM20-1UURHM	MCF-52-SB	MCV-52-SB
KRV62PP	KRV62LLH/3AS	CF24VBUUR	-	FCRB-62UUR	CM24UURHM	MCF-62-SB	MCV-62-SB
KRV72PP	KRV72LLH/3AS	CF24-1VBUUR	-	FCRB-72UUR	CM24-1UURHM	MCF-72-SB	MCV-72-SB
KRV80PP	KRV80LLH/3AS	CF30VBUUR	-	FCRB-80UUR	CM30UURHM	MCF-80-SB	MCV-80-SB
-	-	CF30-1VBUUR	-	FCRB-85UUR	CM30-1UURHM	MCF-85-SB	MCV-85-SB
KRV90PP	KRV90LLH/3AS	CF30-2VBUUR	-	FCRB-90UUR	CM30-2UURHM	MCF-90-SB	MCV-90-SB

Metric Inch	With Cage Full Roller	Crowned OD Cylindrical OD	Hex Socket Slot Socket	With Seals W/O Seals	Concentric Eccentric		
<b>INA SKF</b>	<b>NTN</b>	<b>IKO</b>	<b>THK</b>	<b>NSK</b>	<b>KOYO</b>	<b>Mc.GILL</b>	<b>SMITH</b>
-	KRV10XH/3AS	-	-	-	-	-	-
-	KRV12XH/3AS	-	-	-	-	-	-
-	KRV13XH/3AS	-	-	-	-	MCF-13-BX	MCV-13-BC
KRV16SKX	KRV16XH/3AS	CF 6VB	CF 6V-A	FCRB-16	CM 6HM	MCF-16-BX	MCV-16-BC
KRV19SKX	KRV19XH/3AS	CF 8VB	CF 8V-A	FCRB-19	CM 8HM	MCF-19-BX	MCV-19-BC
KRV22X	KRV22XH/3AS	CF10VBV	CF10V-A	FCRB-22	CM10HM	MCF-22-BX	MCV-22-BC
KRV26X	KRV26XH/3AS	CF10-1VB	CF10-1V-A	FCRB-26	CM10-1HM	MCF-26-BX	MCV-26-BC
KRV30X	KRV30XH/3AS	CF12VB	CF12V-A	FCRB-30	CM12HM	MCF-30-BX	MCV-30-BC
KRV32X	KRV32XH/3AS	CF12-1VB	CF12-1V-A	FCRB-32	CM12-1HM	MCF-32-BX	MCV-32-BC
KRV35X	KRV35XH/3AS	CF16VB	CF16V-A	FCRB-35	CM16HM	MCF-35-BX	MCV-35-BC
KRV40X	KRV40XH/3AS	CF18VB	CF18V-A	FCRB-40	CM18HM	MCF-40-BX	MCV-40-BC
KRV47X	KRV47XH/3AS	CF20-1VB	CF20-1V-A	FCRB-47	CM20HM	MCF-47-BX	MCV-47-BC
KRV52X	KRV52XH/3AS	CF20VB	CF20V-A	FCRB-52	CM20-1HM	MCF-52-BX	MCV-52-BC
KRV62X	KRV62XH/3AS	CF24VB	CF24V-A	FCRB-62	CM24HM	MCF-62-BX	MCV-62-BC
KRV72X	KRV72XH/3AS	CF24-1VB	CF24-1V-A	FCRB-72	CM24-1HM	MCF-72-BX	MCV-72-BC
KRV80X	KRV80XH/3AS	CF30VB	CF30V-A	FCRB-80	CM30HM	MCF-80-BX	MCV-80-BC
-	-	CF30-1VB	CF30-1V-A	FCRB-85	CM30-1HM	MCF-85-BX	MCV-85-BC
KRV90X	KRV90XH/3AS	CF30-2VB	CF30-2V-A	FCRB-90	CM30-2HM	MCF-90-BX	MCV-90-BC

Metric Inch	With Cage Full Roller	Crowned OD Cylindrical OD	Hex Socket Slot Socket	With Seals W/O Seals	Concentric Eccentric		
<b>INA SKF</b>	<b>NTN</b>	<b>IKO</b>	<b>THK</b>	<b>NSK</b>	<b>KOYO</b>	<b>Mc.GILL</b>	<b>SMITH</b>
-	KRV10XLLH/3AS	-	-	-	-	-	-
-	KRV12XLLH/3AS	-	-	-	-	-	-
-	KRV13XLLH/3AS	-	-	-	-	MCF-13-SBX	MCV-13-SBC
KRV16PPSKX	KRV16XLLH/3AS	CF 6VBUU	CF 6VUU-A	FCRSB-16	CM 6UUHM	MCF-16-SBX	MCV-16-SBC
KRV19PPSKX	KRV19XLLH/3AS	CF 8VBUU	CF 8VUU-A	FCRSB-19	CM 8UUHM	MCF-19-SBX	MCV-19-SBC
KRV22PPX	KRV22XLLH/3AS	CF10VBVUU	CF10VUU-A	FCRSB-22	CM10UUHM	MCF-22-SBX	MCV-22-SBC
KRV26PPX	KRV26XLLH/3AS	CF10-1VBUU	CF10-1VUU-A	FCRSB-26	CM10-1UUHM	MCF-26-SBX	MCV-26-SBC
KRV30PPX	KRV30XLLH/3AS	CF12VBUU	CF12VUU-A	FCRSB-30	CM12UUHM	MCF-30-SBX	MCV-30-SBC
KRV32PPX	KRV32XLLH/3AS	CF12-1VBUU	CF12-1VUU-A	FCRSB-32	CM12-1UUHM	MCF-32-SBX	MCV-32-SBC
KRV35PPX	KRV35XLLH/3AS	CF16VBUU	CF16VUU-A	FCRSB-35	CM16UUHM	MCF-35-SBX	MCV-35-SBC
KRV40PPX	KRV40XLLH/3AS	CF18VBUU	CF18VUU-A	FCRSB-40	CM18UUHM	MCF-40-SBX	MCV-40-SBC
KRV47PPX	KRV47XLLH/3AS	CF20-1VBUU	CF20-1VUU-A	FCRSB-47	CM20UUHM	MCF-47-SBX	MCV-47-SBC
KRV52PPX	KRV52XLLH/3AS	CF20VBUU	CF20VUU-A	FCRSB-52	CM20-1UUHM	MCF-52-SBX	MCV-52-SBC
KRV62PPX	KRV62XLLH/3AS	CF24VBUU	CF24VUU-A	FCRSB-62	CM24UUHM	MCF-62-SBX	MCV-62-SBC
KRV72PPX	KRV72XLLH/3AS	CF24-1VBUU	CF24-1VUU-A	FCRSB-72	CM24-1UUHM	MCF-72-SBX	MCV-72-SBC
KRV80PPX	KRV80XLLH/3AS	CF30VBUU	CF30VUU-A	FCRSB-80	CM30UUHM	MCF-80-SBX	MCV-80-SBC
-	-	CF30-1VBUU	CF30-1VUU-A	FCRSB-85	CM30-1UUHM	MCF-85-SBX	MCV-85-SBC
KRV90PPX	KRV90XLLH/3AS	CF30-2VBUU	CF30-2VUU-A	FCRSB-90	CM30-2UUHM	MCF-90-SBX	MCV-90-SBC

## Interchange of Different Brand Cam Follower

Metic Inch	With Cage Full Roller	Crowned OD Cylindrical OD	Hex Socket Slot Socket	With Seals W/O Seals	Concentric Eccentric		
INA SKF	NTN	IKO	THK	NSK	KOYO	Mc.GILL	SMITH
-	-	-	-	-	-	MCF-13	MCV-13
KRV16	KRV16/3AS	CF 6VR	-	FCR-16R	CM 6RM	MCF-16	MCV-16
KRV19	KRV19/3AS	CF 8VR	-	FCR-19R	CM 8RM	MCF-19	MCV-19
-	KRV22/3AS	CF10VR	-	FCR-22R	CM10RM	MCF-22	MCV-22
-	KRV26/3AS	CF10-1VR	-	FCR-26R	CM10-1RM	MCF-26	MCV-26
-	KRV30/3AS	CF12VR	-	FCR-30R	CM12RM	MCF-30	MCV-30
-	KRV32/3AS	CF12-1VR	-	FCR-32R	CM12-1RM	MCF-32	MCV-32
-	KRV35/3AS	CF16VR	-	FCR-35R	CM16RM	MCF-35	MCV-35
-	KRV40/3AS	CF18VR	-	FCR-40R	CM18RM	MCF-40	MCV-40
-	KRV47/3AS	CF20-1VR	-	FCR-47R	CM20RM	MCF-47	MCV-47
-	KRV52/3AS	CF20VR	-	FCR-52R	CM20-1RM	MCF-52	MCV-52
-	KRV62/3AS	CF24VR	-	FCR-62R	CM24RM	MCF-62	MCV-62
-	KRV72/3AS	CF24-1VR	-	FCR-72R	CM24-1RM	MCF-72	MCV-72
-	KRV80/3AS	CF30VR	-	FCR-80R	CM30RM	MCF-80	MCV-80
-	-	CF30-1VR	-	FCR-85R	CM30-1RM	MCF-85	MCV-85
-	KRV90/3AS	CF30-2VR	-	FCR-90R	CM30-2RM	MCF-90	MCV-90

Metic Inch	With Cage Full Roller	Crowned OD Cylindrical OD	Hex Socket Slot Socket	With Seals W/O Seals	Concentric Eccentric		
---------------	--------------------------	------------------------------	---------------------------	-------------------------	-------------------------	--	--

INA SKF	NTN	IKO	THK	NSK	KOYO	Mc.GILL	SMITH
-	-	-	-	-	-	MCF-13-S	MCV-13-S
KRV16PP	KRV16LL/3AS	CF 6UUUR	-	FCRS-16R	CM 6UURM	MCF-16-S	MCV-16-S
KRV19PP	KRV19LL/3AS	CF 8UUUR	-	FCRS-19R	CM 8UURM	MCF-19-S	MCV-19-S
-	KRV22LL/3AS	CF10UUUR	-	FCRS-22R	CM10UUURM	MCF-22-S	MCV-22-S
-	KRV26LL/3AS	CF10-1UUUR	-	FCRS-26R	CM10-1UUURM	MCF-26-S	MCV-26-S
-	KRV30LL/3AS	CF12UUUR	-	FCRS-30R	CM12UUURM	MCF-30-S	MCV-30-S
-	KRV32LL/3AS	CF12-1UUUR	-	FCRS-32R	CM12-1UUURM	MCF-32-S	MCV-32-S
-	KRV35LL/3AS	CF16UUUR	-	FCRS-35R	CM16UUURM	MCF-35-S	MCV-35-S
-	KRV40LL/3AS	CF18UUUR	-	FCRS-40R	CM18UUURM	MCF-40-S	MCV-40-S
-	KRV47LL/3AS	CF20-1UUUR	-	FCRS-47R	CM20UUURM	MCF-47-S	MCV-47-S
-	KRV52LL/3AS	CF20UUUR	-	FCRS-52R	CM20-1UUURM	MCF-52-S	MCV-52-S
-	KRV62LL/3AS	CF24UUUR	-	FCRS-62R	CM24UUURM	MCF-62-S	MCV-62-S
-	KRV72LL/3AS	CF24-1UUUR	-	FCRS-72R	CM24-1UUURM	MCF-72-S	MCV-72-S
-	KRV80LL/3AS	CF30UUUR	-	FCRS-80R	CM30UUURM	MCF-80-S	MCV-80-S
-	-	CF30-1UUUR	-	FCRS-85R	CM30-1UUURM	MCF-85-S	MCV-85-S
-	KRV90LL/3AS	CF30-2UUUR	-	FCRS-90R	CM30-2UUURM	MCF-90-S	MCV-90-S

Metic Inch	With Cage Full Roller	Crowned OD Cylindrical OD	Hex Socket Slot Socket	With Seals W/O Seals	Concentric Eccentric		
---------------	--------------------------	------------------------------	---------------------------	-------------------------	-------------------------	--	--

INA SKF	NTN	IKO	THK	NSK	KOYO	Mc.GILL	SMITH
-	-	-	-	-	-	MCF-13-X	MCV-13-C
KRV16X	KRV16X/3AS	CF 6V	-	FCR-16	CM 6M	MCF-16-X	MCV-16-C
KRV19X	KRV19X/3AS	CF 8V	-	FCR-19	CM 8M	MCF-19-X	MCV-19-C
-	KRV22X/3AS	CF10V	-	FCR-22	CM10M	MCF-22-X	MCV-22-C
-	KRV26X/3AS	CF10-1V	-	FCR-26	CM10-1M	MCF-26-X	MCV-26-C
-	KRV30X/3AS	CF12V	-	FCR-30	CM12M	MCF-30-X	MCV-30-C
-	KRV32X/3AS	CF12-1V	-	FCR-32	CM12-1M	MCF-32-X	MCV-32-C
-	KRV35X/3AS	CF16V	-	FCR-35	CM16M	MCF-35-X	MCV-35-C
-	KRV40X/3AS	CF18V	-	FCR-40	CM18M	MCF-40-X	MCV-40-C
-	KRV47X/3AS	CF20-1V	-	FCR-47	CM20M	MCF-47-X	MCV-47-C
-	KRV52X/3AS	CF20V	-	FCR-52	CM20-1M	MCF-52-X	MCV-52-C
-	KRV62X/3AS	CF24V	-	FCR-62	CM24M	MCF-62-X	MCV-62-C
-	KRV72X/3AS	CF24-1V	-	FCR-72	CM24-1M	MCF-72-X	MCV-72-C
-	KRV80X/3AS	CF30V	-	FCR-80	CM30M	MCF-80-X	MCV-80-C
-	-	CF30-1V	-	FCR-85	CM30-1M	MCF-85-X	MCV-85-C
-	KRV90X/3AS	CF30-2V	-	FCR-90	CM30-2M	MCF-90-X	MCV-90-C

Metic Inch	With Cage Full Roller	Crowned OD Cylindrical OD	Hex Socket Slot Socket	With Seals W/O Seals	Concentric Eccentric		
---------------	--------------------------	------------------------------	---------------------------	-------------------------	-------------------------	--	--

INA SKF	NTN	IKO	THK	NSK	KOYO	Mc.GILL	SMITH
-	-	-	-	-	-	MCF-13-SX	MCV-13-SC
KRV16PPX	KRV16XLL/3AS	CF 6UUU	-	FCRS-16	CM 6UUUM	MCF-16-SX	MCV-16-SC
KRV19PPX	KRV19XLL/3AS	CF 8UUU	-	FCRS-19	CM 8UUUM	MCF-19-SX	MCV-19-SC
-	KRV22XLL/3AS	CF10UUU	-	FCRS-22	CM10UUUM	MCF-22-SX	MCV-22-SC
-	KRV26XLL/3AS	CF10-1UUU	-	FCRS-26	CM10-1UUUM	MCF-26-SX	MCV-26-SC
-	KRV30XLL/3AS	CF12UUU	-	FCRS-30	CM12UUUM	MCF-30-SX	MCV-30-SC
-	KRV32XLL/3AS	CF12-1UUU	-	FCRS-32	CM12-1UUUM	MCF-32-SX	MCV-32-SC
-	KRV35XLL/3AS	CF16UUU	-	FCRS-35	CM16UUUM	MCF-35-SX	MCV-35-SC
-	KRV40XLL/3AS	CF18UUU	-	FCRS-40	CM18UUUM	MCF-40-SX	MCV-40-SC
-	KRV47XLL/3AS	CF20-1UUU	-	FCRS-47	CM20UUUM	MCF-47-SX	MCV-47-SC
-	KRV52XLL/3AS	CF20UUU	-	FCRS-52	CM20-1UUUM	MCF-52-SX	MCV-52-SC
-	KRV62XLL/3AS	CF24UUU	-	FCRS-62	CM24UUUM	MCF-62-SX	MCV-62-SC
-	KRV72XLL/3AS	CF24-1UUU	-	FCRS-72	CM24-1UUUM	MCF-72-SX	MCV-72-SC
-	KRV80XLL/3AS	CF30UUU	-	FCRS-80	CM30UUUM	MCF-80-SX	MCV-80-SC
-	-	CF30-1UUU	-	FCRS-85	CM30-1UUUM	MCF-85-SX	MCV-85-SC
-	KRV90XLL/3AS	CF30-2UUU	-	FCRS-90	CM30-2UUUM	MCF-90-SX	MCV-90-SC

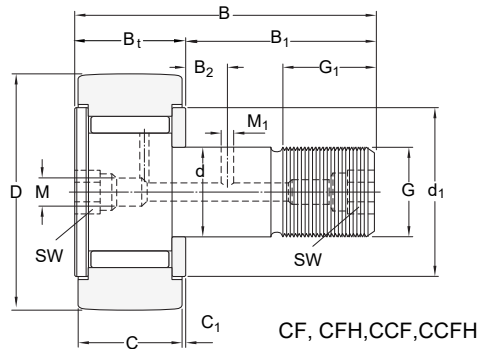
## Inerchange of Different Brand Cam Follower

Metic	With Cage	Crowned OD	Hex Socket	With Seals	Concentric		
Inch	Full Roller	Cylindrical OD	Slot Socket	W/O Seals	Eccentric		

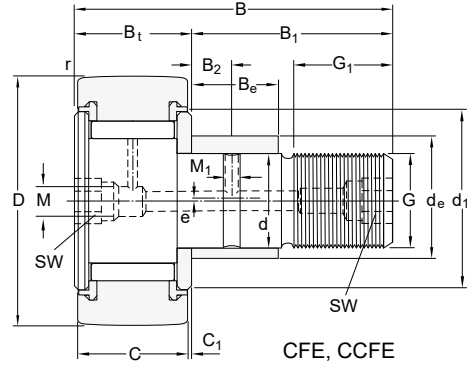
INA SKF	NTN	IKO	THK	NSK	KOYO	Mc.GILL	SMITH
KRE16PPSK	-	CFE 6BUUR	-	FCJSBE-16R	-	MCFRE-16-SB	MCR-16-SCE
KRE19PPSK	-	CFE 8BUUR	-	FCJSBE-19R	-	MCFRE-19-SB	MCR-19-SCE
KRE22PP	-	CFE10BUUR	-	FCJSBE-22R	-	MCFRE-22-SB	MCR-22-SCE
KRE26PP	-	CFE10-1BUUR	-	FCJSBE-26R	-	MCFRE-26-SB	MCR-26-SCE
KRE30PP	-	CFE12BUUR	-	FCJSBE-30R	-	MCFRE-30-SB	MCR-30-SCE
KRE32PP	-	CFE12-1BUUR	-	FCJSBE-32R	-	MCFRE-32-SB	MCR-32-SCE
KRE35PP	-	CFE16BUUR	-	FCJSBE-35R	-	MCFRE-35-SB	MCR-35-SCE
KRE40PP	-	CFE18BUUR	-	FCJSBE-40R	-	MCFRE-40-SB	MCR-40-SCE
KRE47PP	-	CFE20-1BUUR	-	FCJSBE-47R	-	MCFRE-47-SB	MCR-47-SCE
KRE52PP	-	CFE20BUUR	-	FCJSBE-52R	-	MCFRE-52-SB	MCR-52-SCE
KRE62PP	-	CFE24BUUR	-	FCJSBE-62R	-	MCFRE-62-SB	MCR-62-SCE
KRE72PP	-	CFE24-1BUUR	-	FCJSBE-72R	-	MCFRE-72-SB	MCR-72-SCE
KRE80PP	-	CFE30BUUR	-	FCJSBE-80R	-	MCFRE-80-SB	MCR-80-SCE
-	-	CFE30-1BUUR	-	FCJSBE-85R	-	MCFRE-85-SB	MCR-85-SCE
KRE90PP	-	CFE30-2BUUR	-	FCJSBE-90R	-	MCFRE-90-SB	MCR-90-SCE

Metic	With Cage	Crowned OD	Hex Socket	With Seals	Concentric		
Inch	Full Roller	Cylindrical OD	Slot Socket	W/O Seals	Eccentric		

INA SKF	NTN	IKO	THK	NSK	KOYO	Mc.GILL	SMITH
KRVE16PPSK	-	CFE 6VBUUR	-	FCSRBE-16R	-	MCFE-16-SB	MCV-16-SCE
KRVE19PPSK	-	CFE 8VBUUR	-	FCSRBE-19R	-	MCFE-19-SB	MCV-19-SCE
KRVE22PP	-	CFE10VBUUR	-	FCSRBE-22R	-	MCFE-22-SB	MCV-22-SCE
KRVE26PP	-	CFE10-1VBUUR	-	FCSRBE-26R	-	MCFE-26-SB	MCV-26-SCE
KRVE30PP	-	CFE12VBUUR	-	FCSRBE-30R	-	MCFE-30-SB	MCV-30-SCE
KRVE32PP	-	CFE12-1VBUUR	-	FCSRBE-32R	-	MCFE-32-SB	MCV-32-SCE
KRVE35PP	-	CFE16VBUUR	-	FCSRBE-35R	-	MCFE-35-SB	MCV-35-SCE
KRVE40PP	-	CFE18VBUUR	-	FCSRBE-40R	-	MCFE-40-SB	MCV-40-SCE
KRVE47PP	-	CFE20-1VBUUR	-	FCSRBE-47R	-	MCFE-47-SB	MCV-47-SCE
KRVE52PP	-	CFE20VBUUR	-	FCSRBE-52R	-	MCFE-52-SB	MCV-52-SCE
KRVE62PP	-	CFE24VBUUR	-	FCSRBE-62R	-	MCFE-62-SB	MCV-62-SCE
KRVE72PP	-	CFE24-1VBUUR	-	FCSRBE-72R	-	MCFE-72-SB	MCV-72-SCE
KRVE80PP	-	CFE30VBUUR	-	FCSRBE-80R	-	MCFE-80-SB	MCV-80-SCE
-	-	CFE30-1VBUUR	-	FCSRBE-85R	-	MCFE-85-SB	MCV-85-SCE
KRVE90PP	-	CFE30-2VBUUR	-	FCSRBE-90R	-	MCFE-90-SB	MCV-90-SCE

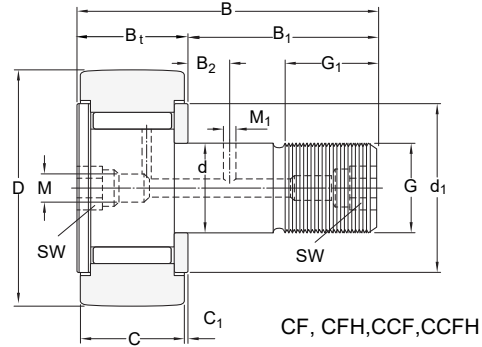


Designation	W/O Seals	With Seals	D		C		d		B <sub>1</sub>	C <sub>1</sub>	G <sub>1</sub>	B	R	e	Be	de	Max. dynamic radial loads	Max. static radial loads
			Outside diameter		Outer ring width		Stud diameter		Stud length	Distance outer ring face to washer face	Min thread length	Total length	Crown	Eccentric				
			inch mm		inch mm		inch mm		inch mm	inch mm	inch mm	inch mm	inch mm	Base modifier CFE-XX				
			Nom.	Tol.	Nom.	Tol.	Nom.	Tol.	(Ref)	(Ref)	(Ref)	(Ref)	Radius (Ref)	(Ref)	+0/-010	±.001		
CF 1/2		CF 1/2 S											Cylindrical				680 3,025	790 3,514
CF 1/2 B		CF 1/2 SB	.500	+0/-0.001	.375	+0 / -.005	.190	+0.01/-0	.63	.031	.25	1.03	7 178	N/A	N/A	N/A		
CCF 1/2		CCF 1/2 S	12.70	+0/-0.03	9.53	+0 / -.13	4.83	+0.03/-0	15.9	.8	6.4	26.2						
CCF 1/2 B		CCF 1/2 SB																
CFE 1/2		CFE 1/2 S											Cylindrical				680 3,025	790 3,514
CFE 1/2 B		CFE 1/2 SB	.500	+0/-0.001	.375	+0 / -.005	.190	+0.01/-0	.63	.031	.25	1.03	7 178	.010	.375	.250		
CCFE 1/2		CCFE 1/2 S	12.70	+0/-0.03	9.53	+0 / -.13	4.83	+0.03/-0	15.9	.8	6.4	26.2		.25	9.53	6.35		
CCFE 1/2 B		CCFE 1/2 SB																
CFH 1/2		CFH 1/2 S											Cylindrical				680 3,025	1,580 7,028
CFH 1/2 B		CFH 1/2 SB	.500	+0/-0.001	.375	+0 / -.005	.190	+0.01/-0	.63	.031	.25	1.03	7 178	N/A	N/A	N/A		
CCFH 1/2		CCFH 1/2 S	12.70	+0/-0.03	9.53	+0 / -.13	4.83	+0.03/-0	15.9	.8	6.4	26.2						
CCFH 1/2 B		CCFH 1/2 SB																
CF 1/2 N		CF 1/2 N S											Cylindrical				620 2,758	720 3,203
CF 1/2 N B		CF 1/2 N SB	.500	+0/-0.001	.344	+0 / -.005	.190	+0.01/-0	.50	.031	.25	.88	6 152	N/A	N/A	N/A		
CCF 1/2 N		CCF 1/2 N S	12.70	+0/-0.03	8.74	+0 / -.13	4.83	+0.03/-0	12.7	.8	6.4	22.2						
CCF 1/2 N B		CCF 1/2 N SB																
CFE 1/2 N		CFE 1/2 N S											Cylindrical				620 2,758	720 3,203
CFE 1/2 N B		CFE 1/2 N SB	.500	+0/-0.001	.344	+0 / -.005	.190	+0.01/-0	.50	.031	.25	.88	6 152	.010	.250	.250		
CCFE 1/2 N		CCFE 1/2 N S	12.70	+0/-0.03	8.74	+0 / -.13	4.83	+0.03/-0	12.7	.8	6.4	22.2		.25	6.35	6.35		
CCFE 1/2 N B		CCFE 1/2 N SB																
CF 9/16		CF 9/16 S											Cylindrical				680 3,025	790 3,514
CF 9/16 B		CF 9/16 SB	.5625	+0/-0.001	.375	+0 / -.005	.190	+0.01/-0	.63	.031	.25	1.03	7 178	N/A	N/A	N/A		
CCF 9/16		CCF 9/16 S	14.29	+0/-0.03	9.53	+0 / -.13	4.83	+0.03/-0	15.9	.8	6.4	26.2						
CCF 9/16 B		CCF 9/16 SB																
CFE 9/16		CFE 9/16 S											Cylindrical				680 3,025	790 3,514
CFE 9/16 B		CFE 9/16 SB	.5625	+0/-0.001	.375	+0 / -.005	.190	+0.01/-0	.63	.031	.25	1.03	7 178	.010	.375	.250		
CCFE 9/16		CCFE 9/16 S	14.29	+0/-0.03	9.53	+0 / -.13	4.83	+0.03/-0	15.9	.8	6.4	26.2		.25	9.53	6.35		
CCFE 9/16 B		CCFE 9/16 SB																
CFH 9/16		CFH 9/16 S											Cylindrical				680 3,025	1,580 7,028
CFH 9/16 B		CFH 9/16 SB	.5625	+0/-0.001	.375	+0 / -.005	.250	+0.01/-0	.63	.031	.25	1.03	7 178	N/A	N/A	N/A		
CCFH 9/16		CCFH 9/16 S	14.29	+0/-0.03	9.53	+0 / -.13	6.35	+0.03/-0	15.9	.8	6.4	26.2						
CCFH 9/16 B		CCFH 9/16 SB																
CF 5/8		CF 5/8 S											Cylindrical				955 4,248	1,215 5,404
CF 5/8 B		CF 5/8 SB	.625	+0/-0.001	.438	+0 / -.005	.250	+0.01/-0	.75	.031	.31	1.22	8 203	N/A	N/A	N/A		
CCF 5/8		CCF 5/8 S	15.88	+0/-0.03	11.11	+0 / -.13	6.35	+0.03/-0	19.1	.8	7.9	31.0						
CCF 5/8 B		CCF 5/8 SB																
CFE 5/8		CFE 5/8 S											Cylindrical				955 4,248	1,215 5,404
CFE 5/8 B		CFE 5/8 SB	.625	+0/-0.001	.438	+0 / -.005	.250	+0.01/-0	.75	.031	.31	1.22	8 203	.015	.437	.375		
CCFE 5/8		CCFE 5/8 S	15.88	+0/-0.03	11.11	+0 / -.13	6.35	+0.03/-0	19.1	.8	7.9	31.0		.38	11.10	9.53		
CCFE 5/8 B		CCFE 5/8 SB																
CFH 5/8		CFH 5/8 S											Cylindrical				955 4,248	2,480 11,031
CFH 5/8 B		CFH 5/8 SB	.625	+0/-0.001	.438	+0 / -.005	.3125	+0.01/-0	.75	.031	.31	1.22	8 203	N/A	N/A	N/A		
CCFH 5/8		CCFH 5/8 S	15.88	+0/-0.03	11.11	+0 / -.13	7.94	+0.03/-0	19.1	.8	7.9	31.0						
CCFH 5/8 B		CCFH 5/8 SB																
CF 5/8 N		CF 5/8 N S											Cylindrical				930 4,137	1,085 4,826
CF 5/8 N B		CF 5/8 N SB	.625	+0/-0.001	.406	+0 / -.005	.250	+0.01/-0	.63	.031	.31	1.06	7 178	N/A	N/A	N/A		
CCF 5/8 N		CCF 5/8 N S	15.88	+0/-0.03	10.31	+0 / -.13	6.35	+0.03/-0	15.9	.8	7.9	27.0						
CCF 5/8 N B		CCF 5/8 N SB																
CFE 5/8 N		CFE 5/8 N S											Cylindrical				930 4,137	1,085 4,826
CFE 5/8 N B		CFE 5/8 N SB	.625	+0/-0.001	.406	+0 / -.005	.250	+0.01/-0	.63	.031	.31	1.06	7 178	.015	.437	.375		
CCFE 5/8 N		CCFE 5/8 N S	15.88	+0/-0.03	10.31	+0 / -.13	6.35	+0.03/-0	15.9	.8	7.9	27.0		.38	11.10	9.53		
CCFE 5/8 N B		CCFE 5/8 N SB																
CF 11/16		CF 11/16 S											Cylindrical				955 4,248	1,215 5,404
CF 11/16 B		CF 11/16 SB	.688	+0/-0.001	.438	+0 / -.005	.250	+0.01/-0	.75	.031	.31	1.22	8 203	N/A	N/A	N/A		
CCF 11/16		CCF 11/16 S	17.46	+0/-0.03	11.11	+0 / -.13	6.35	+0.03/-0	19.1	.8	7.9	31.0						
CCF 11/16 B		CCF 11/16 SB																
CFE 11/16		CFE 11/16 S											Cylindrical				955 4,248	1,215 5,404
CFE 11/16 B		CFE 11/16 SB	.688	+0/-0.001	.438	+0 / -.005	.250	+0.01/-0	.75	.031	.31	1.22	8 203	.015	.437	.375		
CCFE 11/16		CCFE 11/16 S	17.46	+0/-0.03	11.11	+0 / -.13	6.35	+0.03/-0	19.1	.8	7.9	31.0		.38	11.10	9.53		
CCFE 11/16 B		CCFE 11/16 SB																

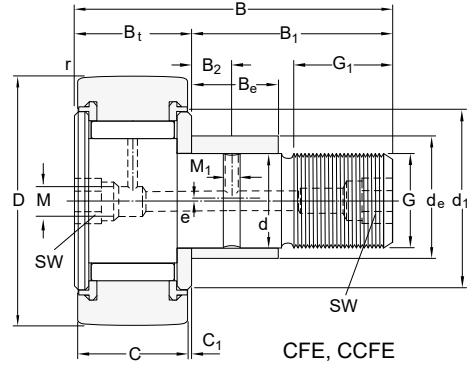


B <sub>2</sub>	M <sub>1</sub>	SW	d <sub>1</sub>	r	HBD		G	M <sub>A</sub>	nDG	Mass	Designation	
Distance lubrication hole to washer face	Diameter of lubrication hole (shank)	Width of flats	Thrust washer outside diameter	Minimum Fillet radius	Housing Bore Diameter		Thread Type	Clamping Torque	Limiting Speed (Grease)	Bearing Weight	W/O Seals	With Seals
inch mm			inch mm		inch mm			in-lb Nm	RPM	lb kg		
(Ref)	(Ref)	(Ref)	(Ref)	(Ref)	Nom.	Tol.						
-	-	.125 3.175	.410 10.41	.016 .40 N/A	.1903 4.834	+0.002/-0.003 +0.005/-0.008	10-32	15 2	11,500	.04 .02	CF 1/2 CF 1/2 B CCF 1/2 CCF 1/2 B	CF 1/2 S CF 1/2 SB CCF 1/2 S CCF 1/2 SB
-	-	.125 3.175	.410 10.41	.016 .40 N/A	.253 6.42	+0.001/-0.001 +0.025/-0.025	10-32	15 2	11,500	.04 .02	CFE 1/2 CFE 1/2 B CCFE 1/2 CCFE 1/2 B	CFE 1/2 S CFE 1/2 SB CCFE 1/2 S CCFE 1/2 SB
-	-	.125 3.175	.410 10.41	.016 .40 N/A	.2503 6.358	+0.002/-0.003 +0.005/-0.008	1/4-28	35 4	11,500	.04 .02	CFH 1/2 CFH 1/2 B CCFH 1/2 CCFH 1/2 B	CFH 1/2 S CFH 1/2 SB CCFH 1/2 S CCFH 1/2 SB
-	-	.125 3.175	.410 10.41	.016 .40 N/A	.1903 4.834	+0.002/-0.003 +0.005/-0.008	10-32	15 2	11,500	.04 .02	CF 1/2 N CF 1/2 N B CCF 1/2 N CCF 1/2 N B	CF 1/2 N S CF 1/2 N SB CCF 1/2 N S CCF 1/2 N SB
-	-	.125 3.175	.410 10.41	.016 .40 N/A	.253 6.42	+0.001/-0.001 +0.025/-0.025	10-32	15 2	11,500	.04 .02	CFE 1/2 N CFE 1/2 N B CCFE 1/2 N CCFE 1/2 N B	CFE 1/2 N S CFE 1/2 N SB CCFE 1/2 N S CCFE 1/2 N SB
-	-	.125 3.175	.410 10.41	.016 .40 N/A	.1903 4.834	+0.002/-0.003 +0.005/-0.008	10-32	15 2	10,000	.04 .02	CF 9/16 CF 9/16 B CCF 9/16 CCF 9/16 B	CF 9/16 S CF 9/16 SB CCF 9/16 S CCF 9/16 SB
-	-	.125 3.175	.410 10.41	.016 .40 N/A	.253 6.42	+0.001/-0.001 +0.025/-0.025					CFE 9/16 CFE 9/16 B CCFE 9/16 CCFE 9/16 B	CFE 9/16 S CFE 9/16 SB CCFE 9/16 S CCFE 9/16 SB
-	-	.125 3.175	.410 10.41	.016 .40 N/A	.2503 6.358	+0.002/-0.003 +0.005/-0.008	1/4-28	35 4	10,000	.04 .02	CFH 9/16 CFH 9/16 B CCFH 9/16 CCFH 9/16 B	CFH 9/16 S CFH 9/16 SB CCFH 9/16 S CCFH 9/16 SB
-	-	.125 3.175	.462 11.73	.016 .40 N/A	.2503 6.358	+0.002/-0.003 +0.005/-0.008	1/4-28	35 4	9,200	.05 .02	CF 5/8 CF 5/8 B CCF 5/8 CCF 5/8 B	CF 5/8 S CF 5/8 SB CCF 5/8 S CCF 5/8 SB
-	-	.125 3.175	.462 11.73	.016 .40 N/A	.378 9.60	+0.001/-0.001 +0.025/-0.025					CFE 5/8 CFE 5/8 B CCFE 5/8 CCFE 5/8 B	CFE 5/8 S CFE 5/8 SB CCFE 5/8 S CCFE 5/8 SB
-	-	.125 3.175	.462 11.73	.016 .40 N/A	.3128 7.945	+0.002/-0.003 +0.005/-0.008	5/16-24	90 10	9,200	.05 .02	CFH 5/8 CFH 5/8 B CCFH 5/8 CCFH 5/8 B	CFH 5/8 S CFH 5/8 SB CCFH 5/8 S CCFH 5/8 SB
-	-	.125 3.175	.462 11.73	.016 .40 N/A	.2503 6.358	+0.002/-0.003 +0.005/-0.008	1/4-28	35 4	9,200	.05 .02	CF 5/8 N CF 5/8 N B CCF 5/8 N CCF 5/8 N B	CF 5/8 N S CF 5/8 N SB CCF 5/8 N S CCF 5/8 N SB
-	-	.125 3.175	.462 11.73	.016 .40 N/A	.2503 6.358	+0.002/-0.003 +0.005/-0.008	1/4-28	35 4	9,200	.05 .02	CFE 5/8 N CFE 5/8 N B CCFE 5/8 N CCFE 5/8 N B	CFE 5/8 N S CFE 5/8 N SB CCFE 5/8 N S CCFE 5/8 N SB
-	-	.125 3.175	.462 11.73	.016 .40 N/A	.2503 6.358	+0.002/-0.003 +0.005/-0.008	1/4-28	35 4	8,300	.06 .03	CF 11/16 CF 11/16 B CCF 11/16 CCF 11/16 B	CF 11/16 S CF 11/16 SB CCF 11/16 S CCF 11/16 SB
-	-	.125 3.175	.462 11.73	.016 .40 N/A	.378 9.60	+0.001/-0.001 +0.025/-0.025					CFE 11/16 CFE 11/16 B CCFE 11/16 CCFE 11/16 B	CFE 11/16 S CFE 11/16 SB CCFE 11/16 S CCFE 11/16 SB

# Inch Cam Followers



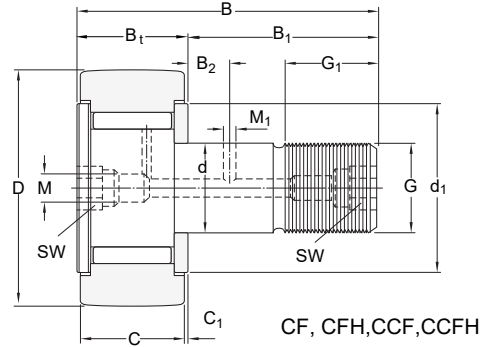
Designation		D		C		d		B <sub>t</sub>	C <sub>1</sub>	G <sub>1</sub>	B	R	e	Be	de	Max. dynamic radial loads	Max. static radial loads
W/O Seals	With Seals	Outside diameter		Outer ring width		Stud diameter		Stud length	Distance outer ring face to washer face	Min thread length	Total length	Crown	Eccentric				
		inch mm		inch mm		inch mm		inch mm	inch mm	inch mm	inch mm	inch mm	Base modifier CFE-XX				
		Nom.	Tol.	Nom.	Tol.	Nom.	Tol.	(Ref)	(Ref)	(Ref)	(Ref)	Radius (Ref)	(Ref)	+0/- .010	±.001	Fr	For
CFH 11/16	CFH 11/16 S	.688 17.46	+0/- .001 +0/- .03	.438 11.11	+0 / - .005 +0 / - .13	.3125 7.94	+ .001/-0 + .03/-0	.75 19.1	.031 .8	.31 7.9	1.22 31.0	Cylindrical	N/A	N/A	N/A	955 4,248	2,480 11,031
CFH 11/16 B	CFH 11/16 SB											8					
CCFH 11/16	CCFH 11/16 S											203					
CCFH 11/16 B	CCFH 11/16 SB																
CF 3/4	CF 3/4 S	.750 19.05	+0/- .001 +0/- .03	.500 12.70	+0 / - .005 +0 / - .13	.375 9.53	+ .001/-0 + .03/-0	.88 22.2	.031 .8	.38 9.5	1.41 35.7	Cylindrical	N/A	N/A	N/A	1,660 7,384	2,065 9,185
CF 3/4 B	CF 3/4 SB											10					
CCF 3/4	CCF 3/4 S											254					
CCF 3/4 B	CCF 3/4 SB																
CFE 3/4	CFE 3/4 S	.750 19.05	+0/- .001 +0/- .03	.500 12.70	+0 / - .005 +0 / - .13	.375 9.53	+ .001/-0 + .03/-0	.88 22.2	.031 .8	.38 9.5	1.41 35.7	Cylindrical	.015 .38	.500 12.70	.500 12.70	1,660 7,384	4,130 18,370
CFE 3/4 B	CFE 3/4 SB											10					
CCFE 3/4	CCFE 3/4 S											254					
CCFE 3/4 B	CCFE 3/4 SB																
CFH 3/4	CFH 3/4 S	.750 19.05	+0/- .001 +0/- .03	.500 12.70	+0 / - .005 +0 / - .13	.4375 11.11	+ .001/-0 + .03/-0	.88 22.2	.031 .8	.38 9.5	1.41 35.7	Cylindrical	N/A	N/A	N/A	1,660 7,384	4,130 18,370
CFH 3/4 B	CFH 3/4 SB											10					
CCFH 3/4	CCFH 3/4 S											254					
CCFH 3/4 B	CCFH 3/4 SB																
CF 7/8	CF 7/8 S	.875 22.23	+0/- .001 +0/- .03	.500 12.70	+0 / - .005 +0 / - .13	.375 9.53	+ .001/-0 + .03/-0	.88 22.2	.031 .8	.38 9.5	1.41 35.7	Cylindrical	N/A	N/A	N/A	1,660 7,384	2,065 9,185
CF 7/8 B	CF 7/8 SB											10					
CCF 7/8	CCF 7/8 S											254					
CCF 7/8 B	CCF 7/8 SB																
CFE 7/8	CFE 7/8 S	.875 22.23	+0/- .001 +0/- .03	.500 12.70	+0 / - .005 +0 / - .13	.375 9.53	+ .001/-0 + .03/-0	.88 22.2	.031 .8	.38 9.5	1.41 35.7	Cylindrical	.015 .38	.500 12.70	.500 12.70	1,660 7,384	4,130 18,370
CFE 7/8 B	CFE 7/8 SB											10					
CCFE 7/8	CCFE 7/8 S											254					
CCFE 7/8 B	CCFE 7/8 SB																
CFH 7/8	CFH 7/8 S	.875 22.23	+0/- .001 +0/- .03	.500 12.70	+0 / - .005 +0 / - .13	.4375 11.11	+ .001/-0 + .03/-0	.88 22.2	.031 .8	.38 9.5	1.41 35.7	Cylindrical	N/A	N/A	N/A	1,660 7,384	4,130 18,370
CFH 7/8 B	CFH 7/8 SB											10					
CCFH 7/8	CCFH 7/8 S											254					
CCFH 7/8 B	CCFH 7/8 SB																
CF 1	CF 1 S	1.000 25.40	+0/- .001 +0/- .03	.625 15.88	+0 / - .005 +0 / - .13	.4375 11.11	+ .001/-0 + .03/-0	1.00 25.4	.031 .8	.50 12.7	1.66 42.1	Cylindrical	N/A	N/A	N/A	2,225 9,897	3,060 13,611
CF 1 B	CF 1 SB											12					
CCF 1	CCF 1 S											305					
CCF 1 B	CCF 1 SB																
CFE 1	CFE 1 S	1.000 25.40	+0/- .001 +0/- .03	.625 15.88	+0 / - .005 +0 / - .13	.4375 11.11	+ .001/-0 + .03/-0	1.00 25.4	.031 .8	.50 12.7	1.66 42.1	Cylindrical	.030 .76	.500 12.70	.625 15.88	2,225 9,897	6,120 27,222
CFE 1 B	CFE 1 SB											12					
CCFE 1	CCFE 1 S											305					
CCFE 1 B	CCFE 1 SB																
CFH 1	CFH 1 S	1.000 25.40	+0/- .001 +0/- .03	.625 15.88	+0 / - .005 +0 / - .13	.625 15.88	+ .001/-0 + .03/-0	1.00 25.4	.031 .8	.50 12.7	1.66 42.1	Cylindrical	N/A	N/A	N/A	2,225 9,897	6,120 27,222
CFH 1 B	CFH 1 SB											12					
CCFH 1	CCFH 1 S											305					
CCFH 1 B	CCFH 1 SB																
CF 1 1/8	CF 1 1/8 S	1.125 28.58	+0/- .001 +0/- .03	.625 15.88	+0 / - .005 +0 / - .13	.4375 11.11	+ .001/-0 + .03/-0	1.00 25.4	.031 .8	.50 12.7	1.66 42.1	Cylindrical	N/A	N/A	N/A	2,225 9,897	3,060 13,611
CF 1 1/8 B	CF 1 1/8 SB											12					
CCF 1 1/8	CCF 1 1/8 S											305					
CCF 1 1/8 B	CCF 1 1/8 SB																
CFE 1 1/8	CFE 1 1/8 S	1.125 28.58	+0/- .001 +0/- .03	.625 15.88	+0 / - .005 +0 / - .13	.4375 11.11	+ .001/-0 + .03/-0	1.00 25.4	.031 .8	.50 12.7	1.66 42.1	Cylindrical	.030 .76	.500 12.70	.625 15.88	2,225 9,897	6,120 27,222
CFE 1 1/8 B	CFE 1 1/8 SB											12					
CCFE 1 1/8	CCFE 1 1/8 S											305					
CCFE 1 1/8 B	CCFE 1 1/8 SB																
CFH 1 1/8	CFH 1 1/8 S	1.125 28.58	+0/- .001 +0/- .03	.625 15.88	+0 / - .005 +0 / - .13	.625 15.88	+ .001/-0 + .03/-0	1.00 25.4	.031 .8	.50 12.7	1.66 42.1	Cylindrical	N/A	N/A	N/A	2,225 9,897	6,120 27,222
CFH 1 1/8 B	CFH 1 1/8 SB											12					
CCFH 1 1/8	CCFH 1 1/8 S											305					
CCFH 1 1/8 B	CCFH 1 1/8 SB																
CF 1 1/4	CF 1 1/4 S	1.250 31.75	+0/- .001 +0/- .03	.750 19.05	+0 / - .005 +0 / - .13	.500 12.70	+ .001/-0 + .03/-0	1.25 31.8	.031 .8	.63 15.9	2.03 51.6	Cylindrical	N/A	N/A	N/A	3,930 17,481	4,250 18,904
CF 1 1/4 B	CF 1 1/4 SB											14					
CCF 1 1/4	CCF 1 1/4 S											356					
CCF 1 1/4 B	CCF 1 1/4 SB																
CFE 1 1/4	CFE 1 1/4 S	1.250 31.75	+0/- .001 +0/- .03	.750 19.05	+0 / - .005 +0 / - .13	.500 12.70	+ .001/-0 + .03/-0	1.25 31.8	.031 .8	.63 15.9	2.03 51.6	Cylindrical	.030 .76	.625 15.88	.687 17.45	3,930 17,481	4,250 18,904
CFE 1 1/4 B	CFE 1 1/4 SB											14					
CCFE 1 1/4	CCFE 1 1/4 S											356					
CCFE 1 1/4 B	CCFE 1 1/4 SB																



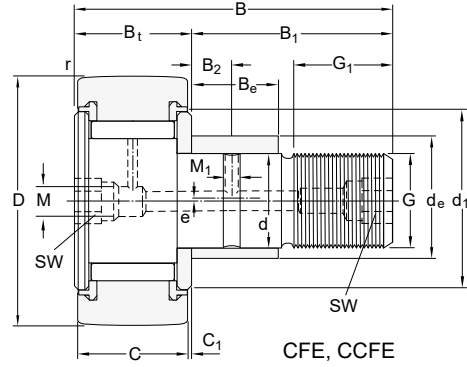
B <sub>2</sub>	M <sub>1</sub>	SW	d <sub>1</sub>	r	HBD		G	M <sub>A</sub>	nDG	Mass	Designation	
Distance lubrication hole to washer face	Diameter of lubrication hole (shank)	Width of flats	Thrust washer outside diameter	Minimum Fillet radius	Housing Bore Diameter		Thread Type	Clamping Torque	Limiting Speed (Grease)	Bearing Weight	W/O Seals	With Seals
inch mm			inch mm		inch mm			in-lb Nm	RPM	lb kg		
(Ref)	(Ref)	(Ref)	(Ref)	(Ref)	Nom.	Tol.						
-	-	.125 3.175	.462 11.73	.016 .40 N/A	.3128 7.945	+0.002/-0.003 +0.005/-0.008	5/16-24	90 10	8,300	.06 .03	CFH 11/16 CFH 11/16 B CCFH 11/16 CCFH 11/16 B	CFH 11/16 S CFH 11/16 SB CCFH 11/16 S CCFH 11/16 SB
.25 6	.0938 2	.1875 5	.609 15.48	.016 .40 N/A	.3753 9.533	+0.002/-0.003 +0.005/-0.008	3/8-24	95 11	6,400	.07 .03	CF 3/4 CF 3/4 B CCF 3/4 CCF 3/4 B	CF 3/4 S CF 3/4 SB CCF 3/4 S CCF 3/4 SB
.25 6	.0938 2	.1875 5	.609 15.48	.016 .40 N/A	.503 12.77	+0.001/-0.001 +0.025/-0.025					CFE 3/4 CFE 3/4 B CCFE 3/4 CCFE 3/4 B	CFE 3/4 S CFE 3/4 SB CCFE 3/4 S CCFE 3/4 SB
.25 6	.0938 2	.1875 5	.609 15.48	.016 .40 N/A	.4378 11.120	+0.002/-0.003 +0.005/-0.008	7/16-20	250 28	6,400	.08 .04	CFH 3/4 CFH 3/4 B CCFH 3/4 CCFH 3/4 B	CFH 3/4 S CFH 3/4 SB CCFH 3/4 S CCFH 3/4 SB
.25 6	.0938 2	.1875 5	.609 15.48	.016 .40 N/A	.3753 9.533	+0.002/-0.003 +0.005/-0.008	3/8-24	95 11	5,400	.09 .04	CF 7/8 CF 7/8 B CCF 7/8 CCF 7/8 B	CF 7/8 S CF 7/8 SB CCF 7/8 S CCF 7/8 SB
.25 6	.0938 2	.1875 5	.609 15.48	.016 .40 N/A	.503 12.77	+0.001/-0.001 +0.025/-0.025					CFE 7/8 CFE 7/8 B CCFE 7/8 CCFE 7/8 B	CFE 7/8 S CFE 7/8 SB CCFE 7/8 S CCFE 7/8 SB
.25 6	.0938 2	.1875 5	.609 15.48	.016 .40 N/A	.4378 11.120	+0.002/-0.003 +0.005/-0.008	7/16-20	250 28	5,400	.11 .05	CFH 7/8 CFH 7/8 B CCFH 7/8 CCFH 7/8 B	CFH 7/8 S CFH 7/8 SB CCFH 7/8 S CCFH 7/8 SB
.25 6	.0938 2	.1875 5	.781 19.84	.031 .79 N/A	.4378 11.120	+0.002/-0.003 +0.005/-0.008	7/16-20	250 28	4,800	.17 .08	CF 1 S CF 1 B CCF 1 CCF 1 B	CF 1 S CF 1 SB CCF 1 S CCF 1 SB
.25 6	.0938 2	.1875 5	.781 19.84	.031 .79 N/A	.628 15.95	+0.001/-0.001 +0.025/-0.025					CFE 1 CFE 1 B CCFE 1 CCFE 1 B	CFE 1 S CFE 1 SB CCFE 1 S CCFE 1 SB
.25 6	.0938 2	.1875 5	.781 19.84	.031 .79 N/A	.6253 15.883	+0.002/-0.003 +0.005/-0.008	5/8-18	650 73	4,800	.20 .09	CFH 1 CFH 1 B CCFH 1 CCFH 1 B	CFH 1 S CFH 1 SB CCFH 1 S CCFH 1 SB
.25 6	.0938 2	.1875 5	.781 19.84	.031 .79 N/A	.4378 11.120	+0.002/-0.003 +0.005/-0.008	7/16-20	250 28	3,400	.19 .09	CF 1 1/8 CF 1 1/8 B CCF 1 1/8 CCF 1 1/8 B	CF 1 1/8 S CF 1 1/8 SB CCF 1 1/8 S CCF 1 1/8 SB
.25 6	.0938 2	.1875 5	.781 19.84	.031 .79 N/A	.628 15.95	+0.001/-0.001 +0.025/-0.025					CFE 1 1/8 CFE 1 1/8 B CCFE 1 1/8 CCFE 1 1/8 B	CFE 1 1/8 S CFE 1 1/8 SB CCFE 1 1/8 S CCFE 1 1/8 SB
.25 6	.0938 2	.1875 5	.781 19.84	.031 .79 N/A	.6253 15.883	+0.002/-0.003 +0.005/-0.008	5/8-18	650 73	3,400	.24 .11	CFH 1 1/8 CFH 1 1/8 B CCFH 1 1/8 CCFH 1 1/8 B	CFH 1 1/8 S CFH 1 1/8 SB CCFH 1 1/8 S CCFH 1 1/8 SB
.3125 8	.0938 2	.1875 5	.984 25.00	.031 .79 N/A	.5003 12.708	+0.002/-0.003 +0.005/-0.008	1/2-20	350 40	3,100	.30 .14	CF 1 1/4 CF 1 1/4 B CCF 1 1/4 CCF 1 1/4 B	CF 1 1/4 S CF 1 1/4 SB CCF 1 1/4 S CCF 1 1/4 SB
.3125 8	.0938 2	.1875 5	.984 25.00	.031 .79 N/A	.690 17.52	+0.001/-0.001 +0.025/-0.025					CFE 1 1/4 CFE 1 1/4 B CCFE 1 1/4 CCFE 1 1/4 B	CFE 1 1/4 S CFE 1 1/4 SB CCFE 1 1/4 S CCFE 1 1/4 SB



# Inch Cam Followers

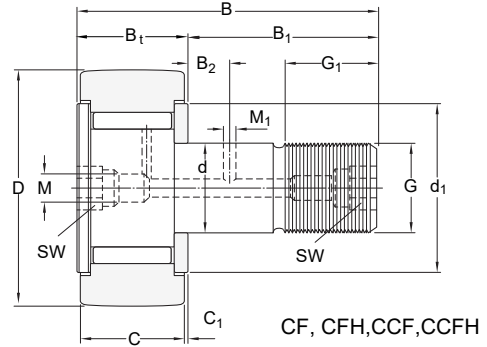


Designation		D		C		d		B <sub>t</sub>	C <sub>1</sub>	G <sub>1</sub>	B	R	e	Be	de	Max. dynamic radial loads	Max. static radial loads
W/O Seals	With Seals	Outside diameter		Outer ring width		Stud diameter		Stud length	Distance outer ring face to washer face	Min thread length	Total length	Crown	Eccentric				
		inch mm		inch mm		inch mm		inch mm	inch mm	inch mm	inch mm	Prefix CCF-XX	Base modifier CFE-XX				
		Nom.	Tol.	Nom.	Tol.	Nom.	Tol.	(Ref)	(Ref)	(Ref)	(Ref)	Radius (Ref)	(Ref)	+0/-010	±.001		
CFH 1 1/4	CFH 1 1/4 S	1.250	+0/-0.001	.750	+0 / -.005	.750	+0.01/-0	1.25	.031	.63	2.03	Cylindrical	N/A	N/A	N/A	3,930	8,500
CFH 1 1/4 B	CFH 1 1/4 SB	31.75	+0/-0.03	19.05	+0 / -.13	19.05	+0.03/-0	31.8	.8	15.9	51.6	14 356	N/A	N/A	N/A	17,481	37,808
CCFH 1 1/4	CCFH 1 1/4 S																
CCFH 1 1/4 B	CCFH 1 1/4 SB																
CF 1 3/8	CF 1 3/8 S	1.375	+0/-0.001	.750	+0 / -.005	.500	+0.01/-0	1.25	.031	.63	2.03	Cylindrical	N/A	N/A	N/A	3,930	4,250
CF 1 3/8 B	CF 1 3/8 SB	34.93	+0/-0.03	19.05	+0 / -.13	12.70	+0.03/-0	31.8	.8	15.9	51.6	14 356	N/A	N/A	N/A	17,481	18,904
CCF 1 3/8	CCF 1 3/8 S																
CCF 1 3/8 B	CCF 1 3/8 SB																
CFE 1 3/8	CFE 1 3/8 S	1.375	+0/-0.001	.750	+0 / -.005	.500	+0.01/-0	1.25	.031	.63	2.03	Cylindrical	.030	.625	.687	3,930	4,250
CFE 1 3/8 B	CFE 1 3/8 SB	34.93	+0/-0.03	19.05	+0 / -.13	12.70	+0.03/-0	31.8	.8	15.9	51.6	14 356	.76	15.88	17.45	17,481	18,904
CCFE 1 3/8	CCFE 1 3/8 S																
CCFE 1 3/8 B	CCFE 1 3/8 SB																
CFH 1 3/8	CFH 1 3/8 S	1.375	+0/-0.001	.750	+0 / -.005	.750	+0.01/-0	1.25	.031	.63	2.03	Cylindrical	N/A	N/A	N/A	3,930	8,500
CFH 1 3/8 B	CFH 1 3/8 SB	34.93	+0/-0.03	19.05	+0 / -.13	19.05	+0.03/-0	31.8	.8	15.9	51.6	14 356	N/A	N/A	N/A	17,481	37,808
CCFH 1 3/8	CCFH 1 3/8 S																
CCFH 1 3/8 B	CCFH 1 3/8 SB																
CF 1 1/2	CF 1 1/2 S	1.500	+0/-0.001	.875	+0 / -.005	.625	+0.01/-0	1.50	.031	.75	2.41	Cylindrical	N/A	N/A	N/A	4,840	5,640
CF 1 1/2 B	CF 1 1/2 SB	38.10	+0/-0.03	22.23	+0 / -.13	15.88	+0.03/-0	38.1	.8	19.1	61.1	20 508	N/A	N/A	N/A	21,528	25,087
CCF 1 1/2	CCF 1 1/2 S																
CCF 1 1/2 B	CCF 1 1/2 SB																
CFE 1 1/2	CFE 1 1/2 S	1.500	+0/-0.001	.875	+0 / -.005	.625	+0.01/-0	1.50	.031	.75	2.41	Cylindrical	.030	.750	.875	4,840	5,640
CFE 1 1/2 B	CFE 1 1/2 SB	38.10	+0/-0.03	22.23	+0 / -.13	15.88	+0.03/-0	38.1	.8	19.1	61.1	20 508	.76	19.05	22.23	21,528	25,087
CCFE 1 1/2	CCFE 1 1/2 S																
CCFE 1 1/2 B	CCFE 1 1/2 SB																
CFH 1 1/2	CFH 1 1/2 S	1.500	+0/-0.001	.875	+0 / -.005	.875	+0.01/-0	1.50	.031	.75	2.41	Cylindrical	N/A	N/A	N/A	4,840	11,280
CFH 1 1/2 B	CFH 1 1/2 SB	38.10	+0/-0.03	22.23	+0 / -.13	22.23	+0.03/-0	38.1	.8	19.1	61.1	20 508	N/A	N/A	N/A	21,528	50,173
CCFH 1 1/2	CCFH 1 1/2 S																
CCFH 1 1/2 B	CCFH 1 1/2 SB																
CF 1 5/8	CF 1 5/8 S	1.625	+0/-0.001	.875	+0 / -.005	.625	+0.01/-0	1.50	.031	.75	2.41	Cylindrical	N/A	N/A	N/A	4,840	5,640
CF 1 5/8 B	CF 1 5/8 SB	41.28	+0/-0.03	22.23	+0 / -.13	15.88	+0.03/-0	38.1	.8	19.1	61.1	20 508	N/A	N/A	N/A	21,528	25,087
CCF 1 5/8	CCF 1 5/8 S																
CCF 1 5/8 B	CCF 1 5/8 SB																
CFE 1 5/8	CFE 1 5/8 S	1.625	+0/-0.001	.875	+0 / -.005	.625	+0.01/-0	1.50	.031	.75	2.41	Cylindrical	.030	.750	.875	4,840	5,640
CFE 1 5/8 B	CFE 1 5/8 SB	41.28	+0/-0.03	22.23	+0 / -.13	15.88	+0.03/-0	38.1	.8	19.1	61.1	20 508	.76	19.05	22.23	21,528	25,087
CCFE 1 5/8	CCFE 1 5/8 S																
CCFE 1 5/8 B	CCFE 1 5/8 SB																
CFH 1 5/8	CFH 1 5/8 S	1.625	+0/-0.001	.875	+0 / -.005	.875	+0.01/-0	1.50	.031	.75	2.41	Cylindrical	N/A	N/A	N/A	4,840	11,280
CFH 1 5/8 B	CFH 1 5/8 SB	41.28	+0/-0.03	22.23	+0 / -.13	22.23	+0.03/-0	38.1	.8	19.1	61.1	20 508	N/A	N/A	N/A	21,528	50,173
CCFH 1 5/8	CCFH 1 5/8 S																
CCFH 1 5/8 B	CCFH 1 5/8 SB																
CF 1 3/4	CF 1 3/4 S	1.750	+0/-0.001	1.000	+0 / -.005	.750	+0.01/-0	1.75	.031	.88	2.78	Cylindrical	N/A	N/A	N/A	6,385	7,920
CF 1 3/4 B	CF 1 3/4 SB	44.45	+0/-0.03	25.40	+0 / -.13	19.05	+0.03/-0	44.5	.8	22.2	70.6	20 508	N/A	N/A	N/A	28,400	35,228
CCF 1 3/4	CCF 1 3/4 S																
CCF 1 3/4 B	CCF 1 3/4 SB																
CFE 1 3/4	CFE 1 3/4 S	1.750	+0/-0.001	1.000	+0 / -.005	.750	+0.01/-0	1.75	.031	.88	2.78	Cylindrical	.030	.875	1.000	6,385	7,920
CFE 1 3/4 B	CFE 1 3/4 SB	44.45	+0/-0.03	25.40	+0 / -.13	19.05	+0.03/-0	44.5	.8	22.2	70.6	20 508	.76	22.23	25.40	28,400	35,228
CCFE 1 3/4	CCFE 1 3/4 S																
CCFE 1 3/4 B	CCFE 1 3/4 SB																
CFH 1 3/4	CFH 1 3/4 S	1.750	+0/-0.001	1.000	+0 / -.005	1.000	+0.01/-0	1.75	.031	.88	2.78	Cylindrical	N/A	N/A	N/A	6,385	15,840
CFH 1 3/4 B	CFH 1 3/4 SB	44.45	+0/-0.03	25.40	+0 / -.13	25.40	+0.03/-0	44.5	.8	22.2	70.6	20 508	N/A	N/A	N/A	28,400	70,456
CCFH 1 3/4	CCFH 1 3/4 S																
CCFH 1 3/4 B	CCFH 1 3/4 SB																
CF 1 7/8	CF 1 7/8 S	1.875	+0/-0.001	1.000	+0 / -.005	.750	+0.01/-0	1.75	.031	.88	2.78	Cylindrical	N/A	N/A	N/A	6,385	7,920
CF 1 7/8 B	CF 1 7/8 SB	47.63	+0/-0.03	25.40	+0 / -.13	19.05	+0.03/-0	44.5	.8	22.2	70.6	20 508	N/A	N/A	N/A	28,400	35,228
CCF 1 7/8	CCF 1 7/8 S																
CCF 1 7/8 B	CCF 1 7/8 SB																
CFE 1 7/8	CFE 1 7/8 S	1.875	+0/-0.001	1.000	+0 / -.005	.750	+0.01/-0	1.75	.031	.88	2.78	Cylindrical	.030	.875	1.000	6,385	7,920
CFE 1 7/8 B	CFE 1 7/8 SB	47.63	+0/-0.03	25.40	+0 / -.13	19.05	+0.03/-0	44.5	.8	22.2	70.6	20 508	.76	22.23	25.40	28,400	35,228
CCFE 1 7/8	CCFE 1 7/8 S																
CCFE 1 7/8 B	CCFE 1 7/8 SB																

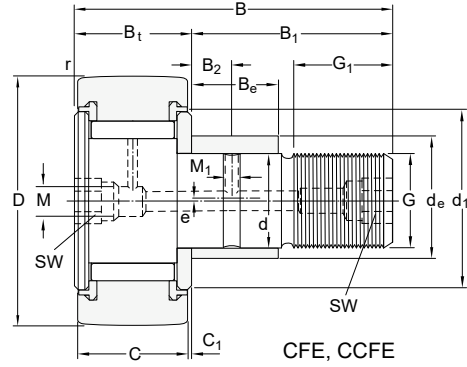


B <sub>2</sub>	M <sub>1</sub>	SW	d <sub>1</sub>	r	HBD		G	M <sub>A</sub>	nDG	Mass	Designation	
Distance lubrication hole to washer face	Diameter of lubrication hole (shank)	Width of flats	Thrust washer outside diameter	Minimum Fillet radius	Housing Bore Diameter		Thread Type	Clamping Torque	Limiting Speed (Grease)	Bearing Weight	W/O Seals	With Seals
inch mm			inch mm	inch mm			in-lb Nm	RPM	lb kg			
(Ref)	(Ref)	(Ref)	(Ref)	(Ref)	Nom.	Tol.						
.3125 8	.0938 2	.1875 5	.984 25.00	.031 .79	.7503 19.058	+0.002/-0.003 +0.005/-0.008	3/4-16	1,250 141	3,100	.38 .17	CFH 1 1/4 CFH 1 1/4 B CCFH 1 1/4 CCFH 1 1/4 B	CFH 1 1/4 S CFH 1 1/4 SB CCFH 1 1/4 S CCFH 1 1/4 SB
				N/A								
.3125 8	.0938 2	.1875 5	.984 25.00	.047 1.19	.5003 12.708	+0.002/-0.003 +0.005/-0.008	1/2-20	350 40	2,800	.35 .16	CF 1 3/8 CF 1 3/8 B CCF 1 3/8 CCF 1 3/8 B	CF 1 3/8 S CF 1 3/8 SB CCF 1 3/8 S CCF 1 3/8 SB
				N/A								
.3125 8	.0938 2	.1875 5	.984 25.00	.047 1.19	.690 17.52	+0.001/-0.001 +0.025/-0.025	1/2-20	350 40	2,800	.35 .16	CFE 1 3/8 CFE 1 3/8 B CCFE 1 3/8 CCFE 1 3/8 B	CFE 1 3/8 S CFE 1 3/8 SB CCFE 1 3/8 S CCFE 1 3/8 SB
				N/A								
.3125 8	.0938 2	.1875 5	.984 25.00	.047 1.19	.7503 19.058	+0.002/-0.003 +0.005/-0.008	3/4-16	1,250 141	2,800	.44 .19	CFH 1 3/8 CFH 1 3/8 B CCFH 1 3/8 CCFH 1 3/8 B	CFH 1 3/8 S CFH 1 3/8 SB CCFH 1 3/8 S CCFH 1 3/8 SB
				N/A								
.375 10	.0938 2	.1875 5	1.094 27.78	.063 1.59	.6253 15.883	+0.002/-0.003 +0.005/-0.008	5/8-18	650 73	2,500	.53 .24	CF 1 1/2 CF 1 1/2 B CCF 1 1/2 CCF 1 1/2 B	CF 1 1/2 S CF 1 1/2 SB CCF 1 1/2 S CCF 1 1/2 SB
				N/A								
.375 10	.0938 2	.1875 5	1.094 27.78	.063 1.59	.878 22.30	+0.001/-0.001 +0.025/-0.025	5/8-18	650 73	2,500	.53 .24	CFE 1 1/2 CFE 1 1/2 B CCFE 1 1/2 CCFE 1 1/2 B	CFE 1 1/2 S CFE 1 1/2 SB CCFE 1 1/2 S CCFE 1 1/2 SB
				N/A								
.375 10	.0938 2	.1875 5	1.094 27.78	.063 1.59	.8753 22.233	+0.002/-0.003 +0.005/-0.008	7/8-14	1,500 170	2,500	.69 .31	CFH 1 1/2 CFH 1 1/2 B CCFH 1 1/2 CCFH 1 1/2 B	CFH 1 1/2 S CFH 1 1/2 SB CCFH 1 1/2 S CCFH 1 1/2 SB
				N/A								
.375 10	.0938 2	.1875 5	1.094 27.78	.063 1.59	.6253 15.883	+0.002/-0.003 +0.005/-0.008	5/8-18	650 73	2,350	.60 .27	CF 1 5/8 CF 1 5/8 B CCF 1 5/8 CCF 1 5/8 B	CF 1 5/8 S CF 1 5/8 SB CCF 1 5/8 S CCF 1 5/8 SB
				N/A								
.375 10	.0938 2	.1875 5	1.094 27.78	.063 1.59	.878 22.30	+0.001/-0.001 +0.025/-0.025	5/8-18	650 73	2,350	.60 .27	CFE 1 5/8 CFE 1 5/8 B CCFE 1 5/8 CCFE 1 5/8 B	CFE 1 5/8 S CFE 1 5/8 SB CCFE 1 5/8 S CCFE 1 5/8 SB
				N/A								
.375 10	.0938 2	.1875 5	1.094 27.78	.063 1.59	.8753 22.233	+0.002/-0.003 +0.005/-0.008	7/8-14	1,500 170	2,350	.75 .34	CFH 1 5/8 CFH 1 5/8 B CCFH 1 5/8 CCFH 1 5/8 B	CFH 1 5/8 S CFH 1 5/8 SB CCFH 1 5/8 S CCFH 1 5/8 SB
				N/A								
.4375 11	.125 3	.1875 5	1.250 31.75	.063 1.59	.7503 19.058	+0.002/-0.003 +0.005/-0.008	3/4-16	1,250 141	2,200	.84 .38	CF 1 3/4 CF 1 3/4 B CCF 1 3/4 CCF 1 3/4 B	CF 1 3/4 S CF 1 3/4 SB CCF 1 3/4 S CCF 1 3/4 SB
				N/A								
.4375 11	.125 3	.1875 5	1.250 31.75	.063 1.59	1.003 25.47	+0.001/-0.001 +0.025/-0.025	3/4-16	1,250 141	2,200	.84 .38	CFE 1 3/4 CFE 1 3/4 B CCFE 1 3/4 CCFE 1 3/4 B	CFE 1 3/4 S CFE 1 3/4 SB CCFE 1 3/4 S CCFE 1 3/4 SB
				N/A								
.4375 11	.125 3	.1875 5	1.250 31.75	.063 1.59	1.0003 25.408	+0.002/-0.003 +0.005/-0.008	1-14	2,250 254	2,200	1.00 .45	CFH 1 3/4 CFH 1 3/4 B CCFH 1 3/4 CCFH 1 3/4 B	CFH 1 3/4 S CFH 1 3/4 SB CCFH 1 3/4 S CCFH 1 3/4 SB
				N/A								
.4375 11	.125 3	.1875 5	1.250 31.75	.063 1.59	.7503 19.058	+0.002/-0.003 +0.005/-0.008	3/4-16	1,250 141	2,000	.95 .43	CF 1 7/8 CF 1 7/8 B CCF 1 7/8 CCF 1 7/8 B	CF 1 7/8 S CF 1 7/8 SB CCF 1 7/8 S CCF 1 7/8 SB
				N/A								
.4375 11	.125 3	.1875 5	1.250 31.75	.063 1.59	1.003 25.47	+0.001/-0.001 +0.025/-0.025	3/4-16	1,250 141	2,000	.95 .43	CFE 1 7/8 CFE 1 7/8 B CCFE 1 7/8 CCFE 1 7/8 B	CFE 1 7/8 S CFE 1 7/8 SB CCFE 1 7/8 S CCFE 1 7/8 SB
				N/A								

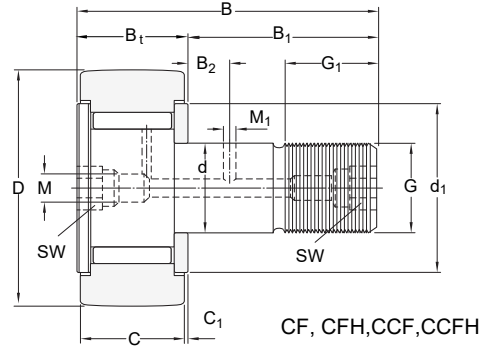
# Inch Cam Followers



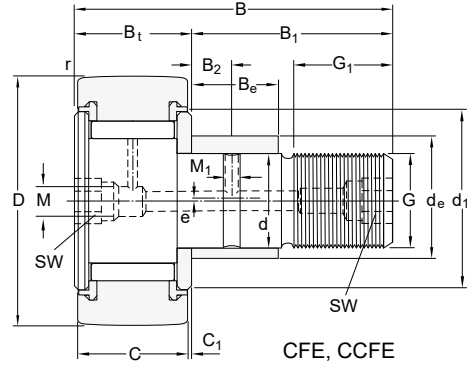
Designation		D		C		d		B <sub>1</sub>	C <sub>1</sub>	G <sub>1</sub>	B	R	e	Be	de	Max. dynamic radial loads	Max. static radial loads
W/O Seals	With Seals	Outside diameter		Outer ring width		Stud diameter		Stud length	Distance outer ring face to washer face	Min thread length	Total length	Crown	Eccentric				
		inch mm		inch mm		inch mm		inch mm	inch mm	inch mm	inch mm	inch mm	Base modifier CFE-XX				
		Nom.	Tol.	Nom.	Tol.	Nom.	Tol.	(Ref)	(Ref)	(Ref)	(Ref)	Radius (Ref)	(Ref)	+0/-010	±001		
CFH 1 7/8 CFH 1 7/8 B CCFH 1 7/8 CCFH 1 7/8 B	CFH 1 7/8 S CFH 1 7/8 SB CCFH 1 7/8 S CCFH 1 7/8 B	1.875 47.63	+0/-0.001 +0/-0.03	1.000 25.40	+0 / -.005 +0 / -.13	1.000 25.40	+0.01/-0 +0.03/-0	1.75 44.5	.031 .8	.88 22.2	2.78 70.6	Cylindrical 20 508	N/A	N/A	N/A	6,385 28,400	15,840 70,456
CF 2 CF 2 B CCF 2 CCF 2 B	CF 2 S CF 2 SB CCF 2 S CCF 2 SB	2.000 50.80	+0/-0.001 +0/-0.03	1.250 31.75	+0 / -.005 +0 / -.13	.875 22.23	+0.01/-0 +0.03/-0	2.00 50.8	.031 .8	1.00 25.4	3.28 83.3	Cylindrical 24 610	N/A	N/A	N/A	8,090 35,984	10,570 47,015
CFE 2 CFE 2 B CCFE 2 CCFE 2 B	CFE 2 S CFE 2 SB CCFE 2 S CCFE 2 SB	2.000 50.80	+0/-0.001 +0/-0.03	1.250 31.75	+0 / -.005 +0 / -.13	.875 22.23	+0.01/-0 +0.03/-0	2.00 50.8	.031 .8	1.00 25.4	3.28 83.3	Cylindrical 24 610	.030 .76	1.000 25.40	1.187 30.15		
CFH 2 CFH 2 B CCFH 2 CCFH 2 B	CFH 2 S CFH 2 SB CCFH 2 S CCFH 2 B	2.000 50.80	+0/-0.001 +0/-0.03	1.250 31.75	+0 / -.005 +0 / -.13	1.125 28.58	+0.01/-0 +0.03/-0	2.00 50.8	.031 .8	1.00 25.4	3.28 83.3	Cylindrical 24 610	N/A	N/A	N/A	8,090 35,984	21,140 94,031
CF 2 1/4 CF 2 1/4 B CCF 2 1/4 CCF 2 1/4 B	CF 2 1/4 S CF 2 1/4 SB CCF 2 1/4 S CCF 2 1/4 B	2.250 57.15	+0/-0.001 +0/-0.03	1.250 31.75	+0 / -.005 +0 / -.13	.875 22.23	+0.01/-0 +0.03/-0	2.00 50.8	.031 .8	1.00 25.4	3.28 83.3	Cylindrical 24 610	N/A	N/A	N/A	8,090 35,984	10,570 47,015
CFE 2 1/4 CFE 2 1/4 B CCFE 2 1/4 CCFE 2 1/4 B	CFE 2 1/4 S CFE 2 1/4 SB CCFE 2 1/4 S CCFE 2 1/4 SB	2.250 57.15	+0/-0.001 +0/-0.03	1.250 31.75	+0 / -.005 +0 / -.13	.875 22.23	+0.01/-0 +0.03/-0	2.00 50.8	.031 .8	1.00 25.4	3.28 83.3	Cylindrical 24 610	.030 .76	1.000 25.40	1.187 30.15		
CFH 2 1/4 CFH 2 1/4 B CCFH 2 1/4 CCFH 2 1/4 B	CFH 2 1/4 S CFH 2 1/4 SB CCFH 2 1/4 S CCFH 2 1/4 B	2.250 57.15	+0/-0.001 +0/-0.03	1.250 31.75	+0 / -.005 +0 / -.13	1.125 28.58	+0.01/-0 +0.03/-0	2.00 50.8	.031 .8	1.00 25.4	3.28 83.3	Cylindrical 24 610	N/A	N/A	N/A	8,090 35,984	21,140 94,031
CF 2 1/2 CF 2 1/2 B CCF 2 1/2 CCF 2 1/2 B	CF 2 1/2 S CF 2 1/2 SB CCF 2 1/2 S CCF 2 1/2 B	2.500 63.50	+0/-0.001 +0/-0.03	1.500 38.10	+0 / -.005 +0 / -.13	1.000 25.40	+0.01/-0 +0.03/-0	2.25 57.2	.031 .8	1.125 28.57	3.78 96.0	Cylindrical 30 762	N/A	N/A	N/A	11,720 52,131	16,450 73,170
CFE 2 1/2 CFE 2 1/2 B CCFE 2 1/2 CCFE 2 1/2 B	CFE 2 1/2 S CFE 2 1/2 SB CCFE 2 1/2 S CCFE 2 1/2 SB	2.500 63.50	+0/-0.001 +0/-0.03	1.500 38.10	+0 / -.005 +0 / -.13	1.000 25.40	+0.01/-0 +0.03/-0	2.25 57.2	.031 .8	1.125 28.57	3.78 96.0	Cylindrical 30 762	.030 .76	1.125 28.58	1.375 34.93		
CFH 2 1/2 CFH 2 1/2 B CCFH 2 1/2 CCFH 2 1/2 B	CFH 2 1/2 S CFH 2 1/2 SB CCFH 2 1/2 S CCFH 2 1/2 B	2.500 63.50	+0/-0.001 +0/-0.03	1.500 38.10	+0 / -.005 +0 / -.13	1.250 31.75	+0.01/-0 +0.03/-0	2.25 57.2	.031 .8	1.125 28.57	3.78 96.0	Cylindrical 30 762	N/A	N/A	N/A	11,720 52,131	32,900 146,339
CF 2 3/4 CF 2 3/4 B CCF 2 3/4 CCF 2 3/4 B	CF 2 3/4 S CF 2 3/4 SB CCF 2 3/4 S CCF 2 3/4 B	2.750 69.85	+0/-0.001 +0/-0.03	1.500 38.10	+0 / -.005 +0 / -.13	1.000 25.40	+0.01/-0 +0.03/-0	2.25 57.2	.031 .8	1.125 28.57	3.78 96.0	Cylindrical 30 762	N/A	N/A	N/A	11,720 52,131	16,450 73,170
CFE 2 3/4 CFE 2 3/4 B CCFE 2 3/4 CCFE 2 3/4 B	CFE 2 3/4 S CFE 2 3/4 SB CCFE 2 3/4 S CCFE 2 3/4 SB	2.750 69.85	+0/-0.001 +0/-0.03	1.500 38.10	+0 / -.005 +0 / -.13	1.000 25.40	+0.01/-0 +0.03/-0	2.25 57.2	.031 .8	1.125 28.57	3.78 96.0	Cylindrical 30 762	.030 .76	1.125 28.58	1.375 34.93		
CFH 2 3/4 CFH 2 3/4 B CCFH 2 3/4 CCFH 2 3/4 B	CFH 2 3/4 S CFH 2 3/4 SB CCFH 2 3/4 S CCFH 2 3/4 B	2.750 69.85	+0/-0.001 +0/-0.03	1.500 38.10	+0 / -.005 +0 / -.13	1.250 31.75	+0.01/-0 +0.03/-0	2.25 57.2	.031 .8	1.125 28.57	3.78 96.0	Cylindrical 30 762	N/A	N/A	N/A	11,720 52,131	32,900 146,339
CF 3 CF 3 B CCF 3 CCF 3 B	CF 3 S CF 3 SB CCF 3 S CCF 3 SB	3.000 76.20	+0/-0.001 +0/-0.03	1.750 44.45	+0 / -.005 +0 / -.13	1.250 31.75	+0.01/-0 +0.03/-0	2.50 63.5	.031 .8	1.25 31.75	4.28 108.7	Cylindrical 30 762	N/A	N/A	N/A	15,720 69,923	24,910 110,800
CFE 3 CFE 3 B CCFE 3 CCFE 3 B	CFE 3 S CFE 3 SB CCFE 3 S CCFE 3 SB	3.000 76.20	+0/-0.001 +0/-0.03	1.750 44.45	+0 / -.005 +0 / -.13	1.250 31.75	+0.01/-0 +0.03/-0	2.50 63.5	.031 .8	1.25 31.75	4.28 108.7	Cylindrical 30 762	.060 .52	1.250 31.75	1.750 44.45		



B <sub>2</sub>	M <sub>1</sub>	SW	d <sub>1</sub>	r	HBD		G	M <sub>A</sub>	nDG	Mass	Designation	
Distance lubrication hole to washer face	Diameter of lubrication hole (shank)	Width of flats	Thrust washer outside diameter	Minimum Fillet radius	Housing Bore Diameter		Thread Type	Clamping Torque	Limiting Speed (Grease)	Bearing Weight	W/O Seals	With Seals
inch mm			inch mm	inch mm			in-lb Nm	RPM	lb kg			
(Ref)	(Ref)	(Ref)	(Ref)	(Ref)	Nom.	Tol.						
.4375 11	.125 3	.1875 5	1.250 31.75	.063 1.59	1.0003 25.408	+0.0002/-0.0003 +0.0005/-0.0008	1-14	2,250 254	2,000	1.15 .52	CFH 1 7/8	CFH 1 7/8 S
				N/A							CFH 1 7/8 B	CFH 1 7/8 SB
.50 13	.125 3	.1875 5	1.406 35.72	.094 2.38	.8753 22.233	+0.0002/-0.0003 +0.0005/-0.0008	7/8-14	1,500 170	1,400	1.36 .62	CF 2	CF 2 S
				N/A							CF 2 B	CF 2 SB
.50 13	.125 3	.1875 5	1.406 35.72	.094 2.38	1.190 30.22	+0.001/-0.001 +0.025/-0.025	1 1/8-12	2,800 316	1,400	1.56 .71	CCF 2 S	CCF 2 S
				N/A							CFE 2	CFE 2 S
.50 13	.125 3	.1875 5	1.406 35.72	.094 2.38	1.1253 28.583	+0.0002/-0.0003 +0.0005/-0.0008	1 1/8-12	2,800 316	1,400	1.56 .71	CCFE 2 S	CCFE 2 S
				N/A							CCFH 2	CCFH 2 S
.50 13	.125 3	.1875 5	1.406 35.72	.094 2.38	.8753 22.233	+0.0002/-0.0003 +0.0005/-0.0008	7/8-14	1,500 170	1,300	1.65 .75	CCFH 2 B	CCFH 2 SB
				N/A							CF 2 1/4	CF 2 1/4 S
.50 13	.125 3	.1875 5	1.406 35.72	.094 2.38	1.190 30.22	+0.001/-0.001 +0.025/-0.025	7/8-14	1,500 170	1,300	1.65 .75	CF 2 1/4 B	CF 2 1/4 SB
				N/A							CCF 2 1/4	CCF 2 1/4 S
.50 13	.125 3	.1875 5	1.406 35.72	.094 2.38	1.1253 28.583	+0.0002/-0.0003 +0.0005/-0.0008	1 1/8-12	2,800 316	1,300	1.88 .85	CCFE 2 1/4	CCFE 2 1/4 S
				N/A							CCFH 2 1/4	CCFH 2 1/4 S
.5625 14	.125 3	.1875 5	1.688 42.86	.094 2.38	1.0003 25.408	+0.0002/-0.0003 +0.0005/-0.0008	1-14	2,250 254	1,100	2.50 1.13	CFH 2 1/4 S	CFH 2 1/4 S
				N/A							CF 2 1/2	CF 2 1/2 S
.5625 14	.125 3	.1875 5	1.688 42.86	.094 2.38	1.378 35.00	+0.001/-0.001 +0.025/-0.025	1-14	2,250 254	1,100	2.50 1.13	CF 2 1/2 B	CF 2 1/2 SB
				N/A							CCF 2 1/2	CCF 2 1/2 S
.5625 14	.125 3	.1875 5	1.688 42.86	.094 2.38	1.2503 31.758	+0.0002/-0.0003 +0.0005/-0.0008	1 1/4-12	3,450 390	1,100	2.75 1.25	CCF 2 1/2 B	CCF 2 1/2 SB
				N/A							CFE 2 1/2	CFE 2 1/2 S
.5625 14	.125 3	.1875 5	1.688 42.86	.094 2.38	1.0003 25.408	+0.0002/-0.0003 +0.0005/-0.0008	1-14	2,250 254	1,050	2.93 1.33	CCFH 2 1/2 B	CCFH 2 1/2 SB
				N/A							CF 2 3/4	CF 2 3/4 S
.5625 14	.125 3	.1875 5	1.688 42.86	.094 2.38	1.378 35.00	+0.001/-0.001 +0.025/-0.025	1-14	2,250 254	1,050	2.93 1.33	CCF 2 3/4 B	CCF 2 3/4 SB
				N/A							CFE 2 3/4	CFE 2 3/4 S
.5625 14	.125 3	.1875 5	1.688 42.86	.094 2.38	1.2503 31.758	+0.0002/-0.0003 +0.0005/-0.0008	1 1/4-12	3,450 390	1,050	3.19 1.47	CCFE 2 3/4	CCFE 2 3/4 S
				N/A							CCFH 2 3/4	CCFH 2 3/4 S
.625 16	.125 3	.25 * 6	2.125 53.98	.125 3.18	1.2503 31.758	+0.0002/-0.0003 +0.0005/-0.0008	1 1/4-12	3,450 390	950	4.20 1.91	CFH 2 3/4 B	CFH 2 3/4 SB
				N/A							CF 3	CF 3 S
.625 16	.125 3	.25 * 6	2.125 53.98	.125 3.18	1.753 44.52	+0.001/-0.001 +0.025/-0.025	1 1/4-12	3,450 390	950	4.20 1.91	CCF 3	CCF 3 S
				N/A							CFE 3	CFE 3 S
.625 16	.125 3	.25 * 6	2.125 53.98	.125 3.18	1.753 44.52	+0.001/-0.001 +0.025/-0.025	1 1/4-12	3,450 390	950	4.20 1.91	CCF 3 B	CCF 3 SB
				N/A							CCFE 3	CCFE 3 S

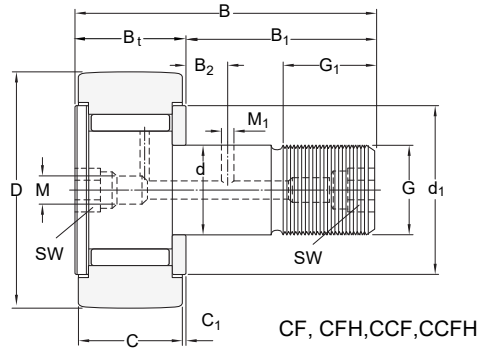


Designation		D		C		d		B <sub>1</sub>	C <sub>1</sub>	G <sub>1</sub>	B	R	e	Be	de	Max. dynamic radial loads	Max. static radial loads
W/O Seals	With Seals	Outside diameter		Outer ring width		Stud diameter		Stud length	Distance outer ring face to washer face	Min thread length	Total length	Crown	Eccentric				
		inch mm		inch mm		inch mm		inch mm	inch mm	inch mm	inch mm	Prefix CCF-XX	Base modifier CFE-XX				
		Nom.	Tol.	Nom.	Tol.	Nom.	Tol.	(Ref)	(Ref)	(Ref)	(Ref)	Radius (Ref)	(Ref)	+0/-010	±.001		
CFH 3	CFH 3 S	3.000	+0/-0.001	1.750	+0 / -.005	1.500	+0.01/-0	2.50	.031	1.25	4.28	Cylindrical	N/A	N/A	N/A	15,720	49,820
CFH 3 B	CFH 3 SB	76.20	+0/-0.03	44.45	+0 / -.13	38.10	+0.03/-0	63.5	.8	31.75	108.7	30 762	N/A	N/A	N/A	69,923	221,599
CCFH 3	CCFH 3 S																
CCFH 3 B	CCFH 3 SB																
CF 3 1/4	CF 3 1/4 S	3.250	+0/-0.001	1.750	+0 / -.005	1.250	+0.01/-0	2.50	.031	1.25	4.28	Cylindrical	N/A	N/A	N/A	15,720	24,910
CF 3 1/4 B	CF 3 1/4 SB	82.55	+0/-0.03	44.45	+0 / -.13	31.75	+0.03/-0	63.5	.8	31.75	108.7	30 762	N/A	N/A	N/A		
CCF 3 1/4	CCF 3 1/4 S																
CCF 3 1/4 B	CCF 3 1/4 SB																
CFE 3 1/4	CFE 3 1/4 S	3.250	+0/-0.001	1.750	+0 / -.005	1.250	+0.01/-0	2.50	.031	1.25	4.28	Cylindrical	.060	1.250	1.750	15,720	24,910
CFE 3 1/4 B	CFE 3 1/4 SB	82.55	+0/-0.03	44.45	+0 / -.13	31.75	+0.03/-0	63.5	.8	31.75	108.7	30 762	.52	31.75	44.45		
CCFE 3 1/4	CCFE 3 1/4 S																
CCFE 3 1/4 B	CCFE 3 1/4 SB																
CFH 3 1/4	CFH 3 1/4 S	3.250	+0/-0.001	1.750	+0 / -.005	1.500	+0.01/-0	2.50	.031	1.25	4.28	Cylindrical	N/A	N/A	N/A	15,720	49,820
CFH 3 1/4 B	CFH 3 1/4 SB	82.55	+0/-0.03	44.45	+0 / -.13	38.10	+0.03/-0	63.5	.8	31.75	108.7	30 762	N/A	N/A	N/A		
CCFH 3 1/4	CCFH 3 1/4 S																
CCFH 3 1/4 B	CCFH 3 1/4 SB																
CF 3 1/2	CF 3 1/2 S	3.500	+0/-0.001	2.000	+0 / -.005	1.375	+0.01/-0	2.75	.031	1.375	4.78	Cylindrical	N/A	N/A	N/A	22,800	31,625
CF 3 1/2 B	CF 3 1/2 SB	88.90	+0/-0.03	50.80	+0 / -.13	34.93	+0.03/-0	69.9	.8	34.93	121.4	30 762	N/A	N/A	N/A		
CCF 3 1/2	CCF 3 1/2 S																
CCF 3 1/2 B	CCF 3 1/2 SB																
CFE 3 1/2	CFE 3 1/2 S	3.500	+0/-0.001	2.000	+0 / -.005	1.375	+0.01/-0	2.75	.031	1.375	4.78	Cylindrical	.060	1.375	1.812	22,800	31,625
CFE 3 1/2 B	CFE 3 1/2 SB	88.90	+0/-0.03	50.80	+0 / -.13	34.93	+0.03/-0	69.9	.8	34.93	121.4	30 762	.52	34.93	46.02		
CCFE 3 1/2	CCFE 3 1/2 S																
CCFE 3 1/2 B	CCFE 3 1/2 SB																
CFH 3 1/2	CFH 3 1/2 S	3.500	+0/-0.001	2.000	+0 / -.005	1.750	+0.01/-0	2.75	.031	1.375	4.78	Cylindrical	N/A	N/A	N/A	22,800	63,250
CFH 3 1/2 B	CFH 3 1/2 SB	88.90	+0/-0.03	50.80	+0 / -.13	44.45	+0.03/-0	69.9	.8	34.93	121.4	30 762	N/A	N/A	N/A		
CCFH 3 1/2	CCFH 3 1/2 S																
CCFH 3 1/2 B	CCFH 3 1/2 SB																
CF 4	CF 4 S	4.000	+0/-0.001	2.250	+0 / -.005	1.500	+0.01/-0	3.50	.031	1.50	5.78	Cylindrical	N/A	N/A	N/A	22,800	44,770
CF 4 B	CF 4 SB	101.60	+0/-0.03	57.15	+0 / -.13	38.10	+0.03/-0	88.9	.8	38.1	146.8	30 762	N/A	N/A	N/A		
CCF 4	CCF 4 S																
CCF 4 B	CCF 4 SB																
CFE 4	CFE 4 S	4.000	+0/-0.001	2.250	+0 / -.005	1.500	+0.01/-0	3.50	.031	1.50	5.78	Cylindrical	.060	2.000	2.000	22,800	44,770
CFE 4 B	CFE 4 SB	101.60	+0/-0.03	57.15	+0 / -.13	38.10	+0.03/-0	88.9	.8	38.1	146.8	30 762	.52	50.80	50.80		
CCFE 4	CCFE 4 S																
CCFE 4 B	CCFE 4 SB																
CFH 4	CFH 4 S	4.000	+0/-0.001	2.250	+0 / -.005	2.000	+0.01/-0	3.50	.031	1.50	5.78	Cylindrical	N/A	N/A	N/A	29,985	89,540
CFH 4 B	CFH 4 SB	101.60	+0/-0.03	57.15	+0 / -.13	50.80	+0.03/-0	88.9	.8	38.1	146.8	30 762	N/A	N/A	N/A		
CCFH 4	CCFH 4 S																
CCFH 4 B	CCFH 4 SB																
-	CF 5 SB	5.000	+0/-0.001	2.750	+0 / -.005	2.000	+0.01/-0	5.06	.062	2.563	7.88	Cylindrical	N/A	N/A	N/A	46,575	67,950
-	CCF 5 SB	127.00	+0/-0.03	69.85	+0 / -.13	50.80	+0.03/-0	128.6	1.57	65.1	200.0	48 1,219	N/A	N/A	N/A		
-	CFH 5 SB	5.000	+0/-0.001	2.750	+0 / -.005	2.500	+0.01/-0	5.06	.062	2.563	7.88	Cylindrical	N/A	N/A	N/A	46,575	135,900
-	CCFH 5 SB	127.00	+0/-0.03	69.85	+0 / -.13	63.50	+0.03/-0	128.6	1.57	65.1	200.0	48 1,219	N/A	N/A	N/A		
-	CF 6 SB	6.000	+0/-0.001	3.250	+0 / -.005	2.500	+0.01/-0	6.00	.062	3.00	9.31	Cylindrical	N/A	N/A	N/A	60,000	80,450
-	CCF 6 SB	152.40	+0/-0.03	82.55	+0 / -.13	63.50	+0.03/-0	152.4	1.57	76.2	236.5	56 1,422	N/A	N/A	N/A		
-	CFH 6 SB	6.000	+0/-0.001	3.250	+0 / -.005	2.500	+0.01/-0	6.00	.062	3.00	9.31	Cylindrical	N/A	N/A	N/A	60,000	160,900
-	CCFH 6 SB	152.40	+0/-0.03	82.55	+0 / -.13	63.50	+0.03/-0	152.4	1.57	76.2	236.5	56 1,422	N/A	N/A	N/A		
-	CF 7 SB	7.000	+0/-0.001	3.750	+0 / -.005	3.000	+0.01/-0	7.69	.062	4.125	11.50	Cylindrical	N/A	N/A	N/A	75,380	106,930
-	CCF 7 SB	177.80	+0/-0.03	95.25	+0 / -.13	76.20	+0.03/-0	195.3	1.57	104.77	292.1	60 1,524	N/A	N/A	N/A		

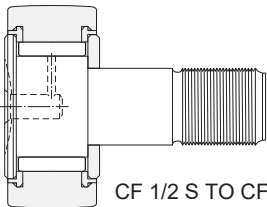


B <sub>2</sub>	M <sub>1</sub>	SW	d <sub>1</sub>	r	HBD		G	M <sub>A</sub>	nDG	Mass	Designation	
Distance lubrication hole to washer face	Diameter of lubrication hole (shank)	Width of flats	Thrust washer outside diameter	Minimum Fillet radius	Housing Bore Diameter		Thread Type	Clamping Torque	Limiting Speed (Grease)	Bearing Weight	W/O Seals	With Seals
inch mm			inch mm		inch mm			in-lb Nm	RPM	lb kg		
(Ref)	(Ref)	(Ref)	(Ref)	(Ref)	Nom.	Tol.						
.625 16	.125 3	.25 * 6	2.125 53.98	.125 3.18	1.5003	+0.0002/-0.0003 +0.0005/-0.0008	1 1/2-12	5,000 565	950	4.56 2.07	CFH 3	CFH 3 S
				N/A	38.108	CCFH 3					CCFH 3 B	
.625 16	.125 3	.25 * 6	2.125 53.98	.125 3.18	1.2503	+0.0002/-0.0003 +0.0005/-0.0008	1 1/4-12	3,450 390	880	4.81 2.18	CF 3 1/4	CF 3 1/4 S
				N/A	31.758	CF 3 1/4 B					CF 3 1/4 SB	
.625 16	.125 3	.25 * 6	2.125 53.98	.125 3.18	1.753	+0.001/-0.001 +0.025/-0.025	1 1/4-12	5,000 565	880	5.19 2.35	CFE 3 1/4	CFE 3 1/4 S
				N/A	44.52	CFE 3 1/4 B					CFE 3 1/4 SB	
.625 16	.125 3	.25 * 6	2.125 53.98	.125 3.18	1.5003	+0.0002/-0.0003 +0.0005/-0.0008	1 1/2-12	5,000 565	880	5.19 2.35	CCFE 3 1/4	CCFE 3 1/4 S
				N/A	38.108	CCFE 3 1/4 B					CCFE 3 1/4 SB	
.6875 17	.125 3	.25 * 6	2.438 61.91	.125 3.18	1.3753	+0.0002/-0.0003 +0.0005/-0.0008	1 3/8-12	4,200 475	820	6.42 2.91	CFH 3 1/2	CFH 3 1/2 S
				N/A	34.933	CF 3 1/2 B					CF 3 1/2 SB	
.6875 17	.125 3	.25 * 6	2.438 61.91	.125 3.18	1.815	+0.001/-0.001 +0.025/-0.025	1 3/8-12	5,000 565	820	7.01 3.18	CCF 3 1/2	CCF 3 1/2 S
				N/A	46.10	CCF 3 1/2 B					CCF 3 1/2 SB	
.6875 17	.125 3	.25 * 6	2.438 61.91	.125 3.18	1.7503	+0.0002/-0.0003 +0.0005/-0.0008	1 3/4-12	5,000 565	820	7.01 3.18	CFE 3 1/2	CFE 3 1/2 S
				N/A	44.458	CFE 3 1/2 B					CFE 3 1/2 SB	
.75 19	.125 3	.25 * 6	2.797 71.04	.125 3.18	1.5003	+0.0002/-0.0003 +0.0005/-0.0008	1 1/2-12	5,000 565	700	9.46 4.29	CFH 3 1/2 B	CFH 3 1/2 SB
				N/A	38.108	CF 4 S					CF 4 SB	
.75 19	.125 3	.25 * 6	2.797 71.04	.125 3.18	2.002	+0.001/-0.001 +0.025/-0.025	1 1/2-12	5,000 565	700	10.83 4.91	CCF 4	CCF 4 S
				N/A	50.85	CCF 4 B					CCF 4 SB	
.75 19	.125 3	.25 * 6	2.797 71.04	.125 3.18	2.0003	+0.0002/-0.0003 +0.0005/-0.0008	2-12	5,000 565	700	10.83 4.91	CFE 4	CFE 4 S
				N/A	50.808	CFE 4 B					CFE 4 SB	
.75 19	.125 3	.25 * 6	2.797 71.04	.125 3.18	2.0003	+0.0002/-0.0003 +0.0005/-0.0008	2-12	5,000 565	700	10.83 4.91	CCFE 4	CCFE 4 S
				N/A	50.808	CCFE 4 B					CCFE 4 SB	
.875 22	.1875 5	1/4" NPT	3.563 90.49	.125 3.18	2.0003	+0.0002/-0.0003 +0.0005/-0.0008	2-12	5,000 565	575	19.60 8.89	CFH 4	CFH 4 S
				N/A	50.808	CFH 4 B					CFH 4 SB	
.875 22	.1875 5	1/4" NPT	3.563 90.49	.125 3.18	2.5030	+0.0002/-0.0003 +0.0005/-0.0008	2 1/2-12	5,000 565	575	22.10 10.02	CCFH 4	CCFH 4 S
				N/A	63.576	CCFH 4 B					CCFH 4 SB	
1.00 25	.1875 5	1/4" NPT	4.469 113.51	.125 3.18	2.5030	+0.0002/-0.0003 +0.0005/-0.0008	2 1/2-12	5,000 565	475	32.73 14.85	CF 5 S	CF 5 S
				N/A	63.576	CF 5 SB					CF 5 SB	
1.00 25	.1875 5	1/4" NPT	4.469 113.51	.125 3.18	3.0003	+0.0002/-0.0003 +0.0005/-0.0008	3-12	5,000 565	475	36.41 16.52	CFH 5 S	CFH 5 S
				N/A	76.208	CFH 5 SB					CFH 5 SB	
1.25 32	.1875 5	1/4" NPT	5.188 131.76	.125 3.18	3.0003	+0.0002/-0.0003 +0.0005/-0.0008	3-12	5,000 565	400	54.73 24.83	CF 6 S	CF 6 S
				N/A	76.208	CF 6 SB					CF 6 SB	

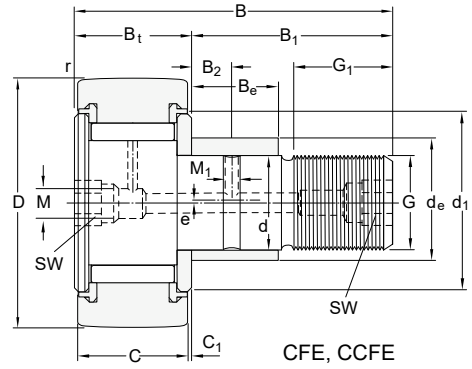
# Inch Cam Followers



Designation		D		C		d		B <sub>1</sub>	C <sub>1</sub>	G <sub>1</sub>	B	R	e	Be	de	Max. dynamic radial loads	Max. static radial loads
W/O Seals	With Seals	Outside diameter		Outer ring width		Stud diameter		Stud length	Distance outer ring face to washer face	Min thread length	Total length	Crown	Eccentric				
		inch mm		inch mm		inch mm		inch mm	inch mm	inch mm	inch mm	inch mm	Base modifier CFE-XX				
		Nom.	Tol.	Nom.	Tol.	Nom.	Tol.	(Ref)	(Ref)	(Ref)	(Ref)	Radius (Ref)	(Ref)	+0/-010	±.001		
-	CFH 7 SB	7.000	+0/-0.001	3.750	+0 / -.005	3.000	+0.001/-0	7.69	.062	4.125	11.50	Cylindrical	N/A	N/A	N/A	75,380	213,860
	CCFH 7 SB	177.80	+0/-0.03	95.25	+0 / -.13	76.20	+0.03/-0	195.3	1.57	104.77	292.1	60 1,524	N/A	N/A	N/A	335,290	951,249
-	CF 8 SB	8.000	*	4.250	*	3.250	+0.001/-0	8.50	.125	4.25	12.81	Cylindrical	N/A	N/A	N/A	92,200	144,100
	CCF 8 SB	203.20	*	107.95	*	82.55	+0.03/-0	215.9	3.175	107.95	325.4	40 1,016	N/A	N/A	N/A	410,106	640,957
-	CF 9 SB	9.000	*	4.750	*	3.750	+0.001/-0	9.50	.125	4.75	14.31	Cylindrical	N/A	N/A	N/A	113,260	183,430
	CCF 9 SB	228.60	*	120.65	*	95.25	+0.03/-0	241.3	3.175	120.65	363.5	40 1,016	N/A	N/A	N/A	503,780	815,897
-	CF 10 SB	10.000	*	5.250	*	4.250	+0.001/-0	10.00	.125	4.75	15.31	Cylindrical	N/A	N/A	N/A	131,545	215,565
	CCF 10 SB	254.00	*	133.35	*	107.95	+0.03/-0	254.0	3.175	120.65	388.9	40 1,016	N/A	N/A	N/A	585,112	958,833



CF 1/2 S TO CF 5/8 S



B <sub>2</sub>	M <sub>1</sub>	SW	d <sub>1</sub>	r	HBD		G	M <sub>A</sub>	nDG	Mass	Designation	
Distance lubrication hole to washer face	Diameter of lubrication hole (shank)	Width of flats	Thrust washer outside diameter	Minimum Fillet radius	Housing Bore Diameter		Thread Type	Clamping Torque	Limiting Speed (Grease)	Bearing Weight	W/O Seals	With Seals
inch mm			inch mm		inch mm			in-lb Nm	RPM	lb kg		
(Ref)	(Ref)	(Ref)	(Ref)	(Ref)	Nom.	Tol.						
1.25 32	.1875 5	1/4" NPT	5.188 131.76	.125 3.18	3.5003 88.908	+0.002/-0.003 +0.0005/-0.0008	3 1/2-4	5,000 565	400	68.03 30.86	-	CFH 7 S CCFH 7 S
-	-	1/4" NPT	4.375 111.13	.219 5.56	3.2503 82.558	+0.002/-0.003 +0.0005/-0.0008	3 1/4-4	5,000 565	350	79.80 36.19	-	CF 8 S CCF 8 S
-	-	1/4" NPT	5.063 128.59	.250 6.35	3.7503 95.258	+0.002/-0.003 +0.0005/-0.0008	3 1/2-4	5,000 565	300	111.60 50.62	-	CF 9 S CCF 9 S
-	-	1/4" NPT	5.469 138.91	.281 7.14	4.2503 107.958	+0.002/-0.003 +0.0005/-0.0008	3 1/2-4	5,000 565	275	148.20 67.22	-	CF 10 S CCF 10 S



## Variaty Inch Cam Follower

Type Features							Mc.GILL	TORR.	RBC	SMITH	NTN	IKO	INA · SKF
Inch	no cage	flat	screw	unsealed	std stud	concentric	CF-..	CR-..	S..	CR-..	CRV..X	CR..V	CF-..
Inch	no cage	flat	screw	sealed	std stud	concentric	CF-..S	CRS-..	S..L	CR-..X	CRV..XLL	CR..VUU	CF-..PP
Inch	no cage	flat	hex	unsealed	std stud	concentric	CF-..B	CRB-..	S..W	CR-..B	CRV..XH	CR..VB	CF..SK
Inch	no cage	flat	hex	sealed	std stud	concentric	CF-..SB	CRSB-..	S..LW	CR-..XB	CRV..XLLH	CR..VBUU	CF..PPSK
Inch	no cage	crown	screw	unsealed	std stud	concentric	CCF-..	CRC-..	CS..	CR-..C	CRV	CR..VR	CF-..Y
Inch	no cage	crown	screw	sealed	std stud	concentric	CCF-..S	CRSC-..	CS..L	CR-..XC	CRV..LL	CR..VUUR	CF-..PPY
Inch	no cage	crown	hex	unsealed	std stud	concentric	CCF-..B	CRBC-..	CS..W	CR-..BC	CRV..H	CR..VBR	CF..YSK
Inch	no cage	crown	hex	sealed	std stud	concentric	CCF-..SB	CRSBC-..	CS..LW	CR-..XBC	CRV..LLH	CR..VBUUR	CF..PPYSK
Inch	no cage	flat	screw	unsealed	heavy stud	concentric	CFH-..	CRH-..	H..	HR-..	-	CRH..V	-
Inch	no cage	flat	screw	sealed	heavy stud	concentric	CFH-..S	CRHS-..	H..L	HR-..X	-	CRH..VUU	-
Inch	no cage	flat	hex	unsealed	heavy stud	concentric	CFH-..B	CRHB-..	H..W	HR-..B	-	CRH..VB	-
Inch	no cage	flat	hex	sealed	heavy stud	concentric	CFH-..SB	CRHSB-..	H..LW	HR-..XB	-	CRH..VBUU	-
Inch	no cage	crown	screw	unsealed	heavy stud	concentric	CCFH-..	CRHC-..	CH..	HR-..C	-	CRH..VR	-
Inch	no cage	crown	screw	sealed	heavy stud	concentric	CCFH-..S	CRHSC-..	CH..L	HR-..XC	-	CRH..VUUR	-
Inch	no cage	crown	hex	unsealed	heavy stud	concentric	CCFH-..B	CRHBC-..	CH..W	HR-..BC	-	CRH..VBR	-
Inch	no cage	crown	hex	sealed	heavy stud	concentric	CCFH-..SB	CRHSBC-..	CH..LW	HR-..XBC	-	CRH..VBUUR	-
Inch	no cage	flat	screw	unsealed	std stud	eccentric	CFE-..	CRE-..	S..X	CR-..E	-	-	CFE
Inch	no cage	flat	screw	sealed	std stud	eccentric	CFE-..S	CRSE-..	S..LX	CR-..XE	-	-	CFE..PP
Inch	no cage	flat	hex	unsealed	std stud	eccentric	CFE-..B	CRBE-..	S..WX	CR-..BE	-	-	CFE..SK
Inch	no cage	flat	hex	sealed	std stud	eccentric	CFE-..SB	CRSBE-..	S..LWX	CR-..XBE	-	-	CFE..PPSK
Inch	no cage	crown	screw	unsealed	std stud	eccentric	CCFE-..	CREC-..	CS..X	CR-..EC	-	-	CFE..Y
Inch	no cage	crown	screw	sealed	std stud	eccentric	CCFE-..S	CRSEC-..	CS..LX	CR-..XEC	-	-	CFE..PPY
Inch	no cage	crown	hex	unsealed	std stud	eccentric	CCFE-..B	CRBEC-..	CS..WX	CR-..BEC	-	-	CFE..YSK
Inch	no cage	crown	hex	sealed	std stud	eccentric	CCFE-..SB	CRSBEC-..	CS..LWX	CR-..XBEC	-	-	CFE..PPYSK
inch	cage	crown	screw	unsealed	std stud	concentric	-	-	-	-	CR	CR..R	CFC..Y
Inch	cage	crown	screw	sealed	std stud	concentric	-	-	-	-	CR..LL	CR..UUR	CFC..PPY
Inch	cage	flat	screw	unsealed	std stud	concentric	-	-	-	-	CR..X	CR	CFC
Inch	cage	flat	screw	sealed	std stud	concentric	-	-	-	-	CR..XLL	CR..UU	CFC..PP
inch	cage	crown	hex	unsealed	std stud	concentric	-	-	-	-	CR..H	CR..BR	CFC..YSK
Inch	cage	crown	hex	sealed	std stud	concentric	-	-	-	-	CR..LLH	CR..BUUR	CFC..PPYSK
Inch	cage	flat	hex	unsealed	std stud	concentric	-	-	-	-	CR..XH	CR..B	CFC..SK
Inch	cage	flat	hex	sealed	std stud	concentric	-	-	-	-	CR..XLLH	CR..BUU	CFC..PPSK

# Interchange of Inch Cam Followers

## WITHOUT SEALS

MCGILL		TORRINGTON		RBC		SMITH (OLD)		SMITH (NEW)		INA		IKO		NTN	
STD. STUD	HEAVY STUD	STD. STUD	HEAVY STUD	STD. STUD	HEAVY STUD	STD. STUD	HEAVY STUD	STD. STUD	HEAVY STUD	STD. STUD	HEAVY STUD	STD. STUD	HEAVY STUD	STD. STUD	HEAVY STUD
CF-1/2-N		CR-8				CTA-1-A		CR-1/2-A			NA	CR 8 V		CRV8X	NA
CF-1/2	CFH-1/2	CR-8-1	CRH-8-1	S-16	H-16	CTA-3	HCS-3	CR-1/2	HR-1/2	CF-8-1	NA	CR 8-1 V	CRH 8-1 V	CRV8-1X	NA
CF-9/16	CFH-9/16			S-18	H-18	CTA-5		CR-9/16			NA		CRH 9 V		NA
CF-5/8-N		CR-10				CTA-9-A		CR-5/8-A			NA	CR 10 V		CRV10X	NA
CF-5/8	CFH-5/8	CR-10-1	CRH-10-1	S-20	H-20	CTA-13	HCS-13	CR-5/8	HR-5/8	CF-10-1	NA	CR 10-1 V	CRH 10-1 V	CRV10-1X	NA
CF-11/16	CFH-11/16			S-22	H-22	CTA-15		CR-11/16			NA		CRH 11 V		NA
CF-3/4	CFH-3/4	CR-12	CRH-12	S-24	H-24	CTA-21	HCS-21	CR-3/4	HR-3/4	CF-12	NA	CR 12 V	CRH 12 V	CRV12X	NA
CF-7/8	CFH-7/8	CR-14	CRH-14	S-28	H-28	CTA-27	HCS-27	CR-7/8	HR-7/8	CF-14	NA	CR 14 V	CRH 14 V	CRV14X	NA
CF-1	CFH-1	CR-16	CRH-16	S-32	H-32	CTA-31	HCS-31	CR-1	HR-1	CF-16	NA	CR 16 V	CRH 16 V	CRV16X	NA
CF-1 1/8	CFH-1 1/8	CR-18	CRH-18	S-36	H-36	CTA-35	HCS-35	CR-1 1/8	HR-1 1/8	CF-18	NA	CR 18 V	CRH 18 V	CRV18X	NA
CF-1 1/4	CFH-1 1/4	CR-20	CRH-20	S-40	H-40	CTA-45	HCS-45	CR-1 1/4	HR-1 1/4	CF-20	NA	CR 20 V	CRH 20 V	CRV20X	NA
CF-1 3/8	CFH-1 3/8	CR-22	CRH-22	S-44	H-44	CTA-47	HCS-47	CR-1 3/8	HR-1 3/8	CF-22	NA	CR 22 V	CRH 22 V	CRV22X	NA
CF-1 1/2	CFH-1 1/2	CR-24	CRH-24	S-48	H-48	CTA-51	HCS-51	CR-1 1/2	HR-1 1/2	CF-24	NA	CR 24 V	CRH 24 V	CRV24X	NA
CF-1 5/8	CFH-1 5/8	CR-26	CRH-26	S-52	H-52	CTA-57	HCS-57	CR-1 5/8	HR-1 5/8	CF-26	NA	CR 26 V	CRH 26 V	CRV26X	NA
CF-1 3/4	CFH-1 3/4	CR-28	CRH-28	S-56	H-56	CTA-65	HCS-65	CR-1 3/4	HR-1 3/4	CF-28	NA	CR 28 V	CRH 28 V	CRV28X	NA
CF-1 7/8	CFH-1 7/8	CR-30	CRH-30	S-60	H-60	CTA-69	HCS-69	CR-1 7/8	HR-1 7/8	CF-30	NA	CR 30 V	CRH 30 V	CRV30X	NA
CF-2	CFH-2	CR-32	CRH-32	S-64	H-64	CTA-75	HCS-75	CR-2	HR-2	CF-32	NA	CR 32 V	CRH 32 V	CRV32X	NA
CF-2 1/4	CFH-2 1/4	CR-36	CRH-36	S-72	H-72	CTA-79	HCS-79	CR-2 1/4	HR-2 1/4	CF-36	NA	CR 36 V	CRH 36 V	CRV36X	NA
CF-2 1/2	CFH-2 1/2	CR-40	CRH-40	S-80	H-80	CTA-85	HCS-85	CR-2 1/2	HR-2 1/2	CF-40	NA		CRH 40 V	CRV40X	NA
CF-2 3/4	CFH-2 3/4	CR-44	CRH-44	S-88	H-88	CTA-93	HCS-93	CR-2 3/4	HR-2 3/4	CF-44	NA		CRH 44 V	CRV44X	NA
CF-3	CFH-3	CR-48	CRH-48	S-96	H-96	CTA-101	HCS-101	CR-3	HR-3	CF-48	NA		CRH 48 V	CRV48X	NA
CF-3 1/4	CFH-3 1/4	CR-52	CRH-52	S-104	H-104	CTA-109	HCS-109	CR-3 1/4	HR-3 1/4	CF-52	NA		CRH 52 V	CRV52X	NA
CF-3 1/2	CFH-3 1/2	CR-56	CRH-56	S-112	H-112	CTA-117	HCS-117	CR-3 1/2	HR-3 1/2	CF-56	NA		CRH 56 V	CRV56X	NA
CF-4	CFH-4	CR-64	CRH-64	S-128	H-128	CTA-125	HCS-125	CR-4	HR-4	CF-64	NA		CRH 64 V	CRV64X	NA

## WITH SEALS

MCGILL		TORRINGTON		RBC		SMITH (OLD)		SMITH (NEW)		INA		IKO		NTN	
STD. STUD	HEAVY STUD	STD. STUD	HEAVY STUD	STD. STUD	HEAVY STUD	STD. STUD	HEAVY STUD	STD. STUD	HEAVY STUD	STD. STUD	HEAVY STUD	STD. STUD	HEAVY STUD	STD. STUD	HEAVY STUD
CF-1/2-N-S		CRS-8				CTA-1-AX		CR-1/2-AX			NA	CR 8 VUU		CRV8XLL	NA
CF-1/2-S	CFH-1/2-S	CRS-8-1	CRHS-8-1	S-16-L	H-16-L	CTA-3X	HCS-3X	CR-1/2X	HR-1/2X	CF-8-1-PP	NA	CR 8-1 VUU	CRH 8-1 VUU	CRV8-1XLL	NA
CF-9/16-S	CFH-9/16-S			S-18-L	H-18-L	CTA-5X		CR-9/16X			NA		CRH 9 VUU		NA
CF-5/8-N-S		CRS-10				CTA-9-AX		CR-5/8-AX			NA	CR 10 VUU		CRV10XLL	NA
CF-5/8-S	CFH-5/8-S	CRS-10-1	CRHS-10-1	S-20-L	H-20-L	CTA-13X	HCS-13X	CR-5/8X	HR-5/8X	CF-10-1-PP	NA	CR 10-1 VUU	CRH 10-1 VUU	CRV10-1XLL	NA
CF-11/16-S				S-22-L	H-22-L	CTA-15X		CR-11/16X			NA		CRH 11 VUU		NA
CF-3/4-S	CFH-3/4-S	CRS-12	CRHS-12	S-24-L	H-24-L	CTA-21X	HCS-21X	CR-3/4X	HR-3/4X	CF-12-PP	NA	CR 12 VUU	CRH 12 VUU	CRV12XLL	NA
CF-7/8-S	CFH-7/8-S	CRS-14	CRHS-14	S-28-L	H-28-L	CTA-27X	HCS-27X	CR-7/8X	HR-7/8X	CF-14-PP	NA	CR 14 VUU	CRH 14 VUU	CRV14XLL	NA
CF-1-S	CFH-1-S	CRS-16	CRHS-16	S-32-L	H-32-L	CTA-31X	HCS-31X	CR-1X	HR-1X	CF-16-PP	NA	CR 16 VUU	CRH 16 VUU	CRV16XLL	NA
CF-1 1/8-S	CFH-1 1/8-S	CRS-18	CRHS-18	S-36-L	H-36-L	CTA-35X	HCS-35X	CR-1 1/8X	HR-1 1/8X	CF-18-PP	NA	CR 18 VUU	CRH 18 VUU	CRV18XLL	NA
CF-1 1/4-S	CFH-1 1/4-S	CRS-20	CRHS-20	S-40-L	H-40-L	CTA-45X	HCS-45X	CR-1 1/4X	HR-1 1/4X	CF-20-PP	NA	CR 20 VUU	CRH 20 VUU	CRV20XLL	NA
CF-1 3/8-S	CFH-1 3/8-S	CRS-22	CRHS-22	S-44-L	H-44-L	CTA-47X	HCS-47X	CR-1 3/8X	HR-1 3/8X	CF-22-PP	NA	CR 22 VUU	CRH 22 VUU	CRV22XLL	NA
CF-1 1/2-S	CFH-1 1/2-S	CRS-24	CRHS-24	S-48-L	H-48-L	CTA-51X	HCS-51X	CR-1 1/2X	HR-1 1/2X	CF-24-PP	NA	CR 24 VUU	CRH 24 VUU	CRV24XLL	NA
CF-1 5/8-S	CFH-1 5/8-S	CRS-26	CRHS-26	S-52-L	H-52-L	CTA-57X	HCS-57X	CR-1 5/8X	HR-1 5/8X	CF-26-PP	NA	CR 26 VUU	CRH 26 VUU	CRV26XLL	NA
CF-1 3/4-S	CFH-1 3/4-S	CRS-28	CRHS-28	S-56-L	H-56-L	CTA-65X	HCS-65X	CR-1 3/4X	HR-1 3/4X	CF-28-PP	NA	CR 28 VUU	CRH 28 VUU	CRV28XLL	NA
CF-1 7/8-S	CFH-1 7/8-S	CRS-30	CRHS-30	S-60-L	H-60-L	CTA-69X	HCS-69X	CR-1 7/8X	HR-1 7/8X	CF-30-PP	NA	CR 30 VUU	CRH 30 VUU	CRV30XLL	NA
CF-2-S	CFH-2-S	CRS-32	CRHS-32	S-64-L	H-64-L	CTA-75X	HCS-75X	CR-2X	HR-2X	CF-32-PP	NA	CR 32 VUU	CRH 32 VUU	CRV32XLL	NA
CF-2 1/4-S	CFH-2 1/4-S	CRS-36	CRHS-36	S-72-L	H-72-L	CTA-79X	HCS-79X	CR-2 1/4X	HR-2 1/4X	CF-36-PP	NA	CR 36 VUU	CRH 36 VUU	CRV36XLL	NA
CF-2 1/2-S	CFH-2 1/2-S	CRS-40	CRHS-40	S-80-L	H-80-L	CTA-85X	HCS-85X	CR-2 1/2X	HR-2 1/2X	CF-40-PP	NA		CRH 40 VUU	CRV40XLL	NA
CF-2 3/4-S	CFH-2 3/4-S	CRS-44	CRHS-44	S-88-L	H-88-L	CTA-93X	HCS-93X	CR-2 3/4X	HR-2 3/4X	CF-44-PP	NA		CRH 44 VUU	CRV44XLL	NA
CF-3-S	CFH-3-S	CRS-48	CRHS-48	S-96-L	H-96-L	CTA-101X	HCS-101X	CR-3X	HR-3X	CF-48-PP	NA	CR 48 VUU	CRH 48 VUU	CRV48XLL	NA
CF-3 1/4-S	CFH-3 1/4-S	CRS-52	CRHS-52	S-104-L	H-104-L	CTA-109X	HCS-109X	CR-3 1/4X	HR-3 1/4X	CF-52-PP	NA		CRH 52 VUU	CRV52XLL	NA
CF-3 1/2-S	CFH-3 1/2-S	CRS-56	CRHS-56	S-112-L	H-112-L	CTA-117X	HCS-117X	CR-3 1/2X	HR-3 1/2X	CF-56-PP	NA		CRH 56 VUU	CRV56XLL	NA
CF-4-S	CFH-4-S	CRS-64	CRHS-64	S-128-L	H-128-L	CTA-125X	HCS-125X	CR-4X	HR-4X	CF-64-PP	NA		CRH 64 VUU	CRV64XLL	NA
CF-5-S	CFH-5-S	CRSB-80	CRHSB-80	S-160-LW	H-160-LW	CTA-137X		CR-5XB			NA			CRV80XLL	NA
CF-6-S	CFH-6-S	CRSB-96	CRHSB-96	S-192-LW	H-192-LW			CR-6XB			NA			CRV96XLL	NA
CF-7-S	CFH-7-S	CRSB-112	CRHSP-112												
CF-8-S															
CF-9-S															
CF-10-S															

Optional feature	McGill	Torrington	RBC	Smith	INA	IKO	NTN
Hex hole	Add Suffix "B"	Add Prefix "B"	Add Suffix "W"	Add Suffix "B"	Add Suffix "SK"	Add Suffix "B"	Add Suffix "H"
Eccentric Stud	Add Prefix "E"	Add Prefix "E"	Add Suffix "X"	Add Suffix "E"	Add Suffix "E"	add prefix "E"	
Crowned OD	Add Prefix "C"	Add Prefix "C"	Add Prefix "C"	Add Suffix "C"	Add Suffix "Y"	Add Prefix "R"	Remove suffix "X"
Seal	Add Suffix "S"	Add Prefix "S"	Add Suffix "L"	Add Suffix "X"	Add Suffix "PP"	add suffix "UU"	add suffix "LL"

# Interchange of Cam Follower - Inch Series

Metric	With Cage	Crowned OD	Hex Socket	With Seals	Concentric	<b>CF</b>
Inch	Full Roller	Cylindrical OD	Slot Socket	W/O Seals	Eccentric	

Mc.GILL	TORR. NSK	RBC	SMITH	INA SKF	IKO	NTN
CF-1/2-N	CR-8	-	CR-1/2-A	-	CR 8 V	CRV8X
CF-1/2	CR-8-1	S-16	CR-1/2	CF-8-1	CR 8-1 V	CRV8-1X
CF-9/16	-	S-18	CR-9/16	-	-	-
CF-5/8-N	CR-10	-	CR-5/8-A	-	CR 10 V	CRV10X
CF-5/8	CR-10-1	S-20	CR-5/8	CF-10-1	CR 10-1 V	CRV10-1X
CF-11/16	-	S-22	CR-11/16	-	-	-
CF-3/4	CR-12	S-24	CR-3/4	CF-12	CR 12 V	CRV12X
CF-7/8	CR-14	S-28	CR-7/8	CF-14	CR 14 V	CRV14X
CF-1	CR-16	S-32	CR-1	CF-16	CR 16 V	CRV16X
CF-1 1/8	CR-18	S-36	CR-1 1/8	CF-18	CR 18 V	CRV18X
CF-1 1/4	CR-20	S-40	CR-1 1/4	CF-20	CR 20 V	CRV20X
CF-1 3/8	CR-22	S-44	CR-1 3/8	CF-22	CR 22 V	CRV22X
CF-1 1/2	CR-24	S-48	CR-1 1/2	CF-24	CR 24 V	CRV24X
CF-1 5/8	CR-26	S-52	CR-1 5/8	CF-26	CR 26 V	CRV26X
CF-1 3/4	CR-28	S-56	CR-1 3/4	CF-28	CR 28 V	CRV28X
CF-1 7/8	CR-30	S-60	CR-1 7/8	CF-30	CR 30 V	CRV30X
CF-2	CR-32	S-64	CR-2	CF-32	CR 32 V	CRV32X
CF-2 1/4	CR-36	S-72	CR-2 1/4	CF-36	CR 36 V	CRV36X
CF-2 1/2	CR-40	S-80	CR-2 1/2	CF-40	-	CRV40X
CF-2 3/4	CR-44	S-88	CR-2 3/4	CF-44	-	CRV44X
CF-3	CR-48	S-96	CR-3	CF-48	-	CRV48X
CF-3 1/4	CR-52	S-104	CR-3 1/4	CF-52	-	CRV52X
CF-3 1/2	CR-56	S-112	CR-3 1/2	CF-56	-	CRV56X
CF-4	CR-64	S-128	CR-4	CF-64	-	CRV64X
-	-	-	-	-	-	-
-	-	-	-	-	-	-
-	-	-	-	-	-	-
-	-	-	-	-	-	-
-	-	-	-	-	-	-
-	-	-	-	-	-	-

Metric	With Cage	Crowned OD	Hex Socket	With Seals	Concentric	<b>CF..S</b>
Inch	Full Roller	Cylindrical OD	Slot Socket	W/O Seals	Eccentric	

Mc.GILL	TORR. NSK	RBC	SMITH	INA SKF	IKO	NTN
CF-1/2-N-S	CRS-8	-	CR-1/2-AX	-	CR 8 VUU	CRV8XLL
CF-1/2-S	CRS-8-1	S-16-L	CR-1/2X	CF-8-1-PP	CR 8-1 VUU	CRV8-1XLL
CF-9/16-S	-	S-18-L	CR-9/16X	-	-	-
CF-5/8-N-S	CRS-10	-	CR-5/8-AX	-	CR 10 VUU	CRV10XLL
CF-5/8-S	CRS-10-1	S-20-L	CR-5/8X	CF-10-1-PP	CR 10-1 VUU	CRV10-1XLL
CF-11/16-S	-	S-22-L	CR-11/16X	-	-	-
CF-3/4-S	CRS-12	S-24-L	CR-3/4X	CF-12-PP	CR 12 VUU	CRV12XLL
CF-7/8-S	CRS-14	S-28-L	CR-7/8X	CF-14-PP	CR 14 VUU	CRV14XLL
CF-1-S	CRS-16	S-32-L	CR-1X	CF-16-PP	CR 16 VUU	CRV16XLL
CF-1 1/8-S	CRS-18	S-36-L	CR-1 1/8X	CF-18-PP	CR 18 VUU	CRV18XLL
CF-1 1/4-S	CRS-20	S-40-L	CR-1 1/4X	CF-20-PP	CR 20 VUU	CRV20XLL
CF-1 3/8-S	CRS-22	S-44-L	CR-1 3/8X	CF-22-PP	CR 22 VUU	CRV22XLL
CF-1 1/2-S	CRS-24	S-48-L	CR-1 1/2X	CF-24-PP	CR 24 VUU	CRV24XLL
CF-1 5/8-S	CRS-26	S-52-L	CR-1 5/8X	CF-26-PP	CR 26 VUU	CRV26XLL
CF-1 3/4-S	CRS-28	S-56-L	CR-1 3/4X	CF-28-PP	CR 28 VUU	CRV28XLL
CF-1 7/8-S	CRS-30	S-60-L	CR-1 7/8X	CF-30-PP	CR 30 VUU	CRV30XLL
CF-2-S	CRS-32	S-64-L	CR-2X	CF-32-PP	CR 32 VUU	CRV32XLL
CF-2 1/4-S	CRS-36	S-72-L	CR-2 1/4X	CF-36-PP	CR 36 VUU	CRV36XLL
CF-2 1/2-S	CRS-40	S-80-L	CR-2 1/2X	CF-40-PP	-	CRV40XLL
CF-2 3/4-S	CRS-44	S-88-L	CR-2 3/4X	CF-44-PP	-	CRV44XLL
CF-3-S	CRS-48	S-96-L	CR-3X	CF-48-PP	-	CRV48XLL
CF-3 1/4-S	CRS-52	S-104-L	CR-3 1/4X	CF-52-PP	-	CRV52XLL
CF-3 1/2-S	CRS-56	S-112-L	CR-3 1/2X	CF-56-PP	-	CRV56XLL
CF-4-S	CRS-64	S-128-L	CR-4X	CF-64-PP	-	CRV64XLL
CF-5-S	CRSB-80	S-160-LW	CR-5XB	-	-	CRV80XLL
CF-6-S	CRSB-96	S-192-LW	CR-6XB	-	-	CRV96XLL
CF-7-S	CRSB-112	-	-	-	-	-
CF-8-S	-	-	-	-	-	-
CF-9-S	-	-	-	-	-	-
CF-10-S	-	-	-	-	-	-

# Interchange of Cam Follower - Inch Series

Metric	With Cage	Crowned OD	Hex Socket	With Seals	Concentric	<b>CF...B</b>
Inch	Full Roller	Cylindrical OD	Slot Socket	W/O Seals	Eccentric	

Mc.GILL	TORR. NSK	RBC	SMITH	INA SKF	IKO	NTN
CF-1/2-N-B	CRB-8	-	CR-1/2-A-B	-	CR 8 VB	CRV 8XH/3AS
CF-1/2-B	CRB-8-1	S-16-W	CR-1/2-B	CF-8-1-SK	CR 8-1 VB	CRV 8-1XH/3AS
CF-9/16-B	-	S-18-W	CR-9/16-B	-	-	-
CF-5/8-N-B	CRB-10	-	CR-5/8-A-B	-	CR 10 VB	CRV10XH/3AS
CF-5/8-B	CRB-10-1	S-20-W	CR-5/8-B	CF-10-1-SK	CR 10-1 VB	CRV10-1XH/3AS
CF-11/16-B	-	S-22-W	CR-11/16-B	-	-	-
CF-3/4-B	CRB-12	S-24-W	CR-3/4-B	CF-12-SK	CR 12 VB	CRV12XH/3AS
CF-7/8-B	CRB-14	S-28-W	CR-7/8-B	CF-14-SK	CR 14 VB	CRV14XH/3AS
CF-1-B	CRB-16	S-32-W	CR-1-B	CF-16-SK	CR 16 VB	CRV16XH/3AS
CF-1 1/8-B	CRB-18	S-36-W	CR-1 1/8-B	CF-18-SK	CR 18 VB	CRV18XH/3AS
CF-1 1/4-B	CRB-20	S-40-W	CR-1 1/4-B	CF-20-SK	CR 20 VB	CRV20XH/3AS
CF-1 3/8-B	CRB-22	S-44-W	CR-1 3/8-B	CF-22-SK	CR 22 VB	CRV22XH/3AS
CF-1 1/2-B	CRB-24	S-48-W	CR-1 1/2-B	CF-24-SK	CR 24 VB	CRV24XH/3AS
CF-1 5/8-B	CRB-26	S-52-W	CR-1 5/8-B	CF-26-SK	CR 26 VB	CRV26XH/3AS
CF-1 3/4-B	CRB-28	S-56-W	CR-1 3/4-B	CF-28-SK	CR 28 VB	CRV28XH/3AS
CF-1 7/8-B	CRB-30	S-60-W	CR-1 7/8-B	CF-30-SK	CR 30 VB	CRV30XH/3AS
CF-2-B	CRB-32	S-64-W	CR-2-B	CF-32-SK	CR 32 VB	CRV32XH/3AS
CF-2 1/4-B	CRB-36	S-72-W	CR-2 1/4-B	CF-36-SK	CR 36 VB	CRV36XH/3AS
CF-2 1/2-B	CRB-40	S-80-W	CR-2 1/2-B	CF-40-SK	-	CRV40XH/3AS
CF-2 3/4-B	CRB-44	S-88-W	CR-2 3/4-B	CF-44-SK	-	CRV44XH/3AS
CF-3-B	CRB-48	S-96-W	CR-3-B	CF-48-SK	-	CRV48XH/3AS
CF-3 1/4-B	CRB-52	S-104-W	CR-3 1/4-B	CF-52-SK	-	CRV52XH/3AS
CF-3 1/2-B	CRB-56	S-112-W	CR-3 1/2-B	CF-56-SK	-	CRV56XH/3AS
CF-4-B	CRB-64	S-128-W	CR-4-B	CF-64-SK	-	CRV64XH/3AS
CF-5-B	CRB-80	S-160-LW	CR-5-B	-	-	CRV80XH/3AS
CF-6-B	CRB-96	S-192-LW	CR-6-B	-	-	CRV96XH/3AS
CF-7-B	-	-	-	-	-	-
CF-8-B	-	-	-	-	-	-
CF-9-B	-	-	-	-	-	-
CF-10-B	-	-	-	-	-	-

Metric	With Cage	Crowned OD	Hex Socket	With Seals	Concentric	<b>CF...SB</b>
Inch	Full Roller	Cylindrical OD	Slot Socket	W/O Seals	Eccentric	

Mc.GILL	TORR. NSK	RBC	SMITH	INA SKF	IKO	NTN
CF-1/2-N-SB	CRSB-8	-	CR-1/2-A-XB	-	CR 8 VBUU	CRV 8XHLL/3AS
CF-1/2-SB	CRSB-8-1	S-16-LW	CR-1/2-XB	CF-8-1-PPSK	CR 8-1 VBUU	CRV 8-1XHLL/3AS
CF-9/16-SB	-	S-18-LW	CR-9/16-XB	-	-	-
CF-5/8-N-SB	CRSB-10	-	CR-5/8-A-XB	-	CR 10 VBUU	CRV10XHLL/3AS
CF-5/8-SB	CRSB-10-1	S-20-LW	CR-5/8-XB	CF-10-1-PPSK	CR 10-1 VBUU	CRV10-1XHLL/3AS
CF-11/16-SB	-	S-22-LW	CR-11/16-XB	-	-	-
CF-3/4-SB	CRSB-12	S-24-LW	CR-3/4-XB	CF-12-PPSK	CR 12 VBUU	CRV12XHLL/3AS
CF-7/8-SB	CRSB-14	S-28-LW	CR-7/8-XB	CF-14-PPSK	CR 14 VBUU	CRV14XHLL/3AS
CF-1-SB	CRSB-16	S-32-LW	CR-1-XB	CF-16-PPSK	CR 16 VBUU	CRV16XHLL/3AS
CF-1 1/8-SB	CRSB-18	S-36-LW	CR-1 1/8-XB	CF-18-PPSK	CR 18 VBUU	CRV18XHLL/3AS
CF-1 1/4-SB	CRSB-20	S-40-LW	CR-1 1/4-XB	CF-20-PPSK	CR 20 VBUU	CRV20XHLL/3AS
CF-1 3/8-SB	CRSB-22	S-44-LW	CR-1 3/8-XB	CF-22-PPSK	CR 22 VBUU	CRV22XHLL/3AS
CF-1 1/2-SB	CRSB-24	S-48-LW	CR-1 1/2-XB	CF-24-PPSK	CR 24 VBUU	CRV24XHLL/3AS
CF-1 5/8-SB	CRSB-26	S-52-LW	CR-1 5/8-XB	CF-26-PPSK	CR 26 VBUU	CRV26XHLL/3AS
CF-1 3/4-SB	CRSB-28	S-56-LW	CR-1 3/4-XB	CF-28-PPSK	CR 28 VBUU	CRV28XHLL/3AS
CF-1 7/8-SB	CRSB-30	S-60-LW	CR-1 7/8-XB	CF-30-PPSK	CR 30 VBUU	CRV30XHLL/3AS
CF-2-SB	CRSB-32	S-64-LW	CR-2-XB	CF-32-PPSK	CR 32 VBUU	CRV32XHLL/3AS
CF-2 1/4-SB	CRSB-36	S-72-LW	CR-2 1/4-XB	CF-36-PPSK	CR 36 VBUU	CRV36XHLL/3AS
CF-2 1/2-SB	CRSB-40	S-80-LW	CR-2 1/2-XB	CF-40-PPSK	-	CRV40XHLL/3AS
CF-2 3/4-SB	CRSB-44	S-88-LW	CR-2 3/4-XB	CF-44-PPSK	-	CRV44XHLL/3AS
CF-3-SB	CRSB-48	S-96-LW	CR-3-XB	CF-48-PPSK	-	CRV48XHLL/3AS
CF-3 1/4-SB	CRSB-52	S-104-LW	CR-3 1/4-XB	CF-52-PPSK	-	CRV52XHLL/3AS
CF-3 1/2-SB	CRSB-56	S-112-LW	CR-3 1/2-XB	CF-56-PPSK	-	CRV56XHLL/3AS
CF-4-SB	CRSB-64	S-128-LW	CR-4-XB	CF-64-PPSK	-	CRV64XHLL/3AS
CF-5-SB	CRSB-80	S-160-LW	CR-5-XB	-	-	CRV80XHLL/3AS
CF-6-SB	CRSB-96	S-192-LW	CR-6-XB	-	-	CRV96XHLL/3AS
CF-7-SB	-	-	-	-	-	-
CF-8-SB	-	-	-	-	-	-
CF-9-SB	-	-	-	-	-	-
CF-10-SB	-	-	-	-	-	-

# Interchange of Cam Follower - Inch Series

Metric	With Cage	Crowned OD	Hex Socket	With Seals	Concentric	<b>CCF</b>
Inch	Full Roller	Cylindrical OD	Slot Socket	W/O Seals	Eccentric	

Mc.GILL	TORR. NSK	RBC	SMITH	INA SKF	IKO	NTN
CCF-1/2-N	CRC- 8	-	CR-1/2-AC	-	CR 8 VR	CRV 8/3AS
CCF-1/2	CRC- 8-1	CS-16	CR-1/2-C	CF- 8-1-Y	CR 8-1 VR	CRV 8-1/3AS
CCF-9/16	-	CS-18	CR-9/16-C	-	-	-
CCF-5/8-N	CRC-10	-	CR-5/8-AC	-	CR 10 VR	CRV10/3AS
CCF-5/8	CRC-10-1	CS-20	CR-5/8-C	CF-10-1-Y	CR 10-1 VR	CRV10-1/3AS
CCF-11/16	-	CS-22	CR-11/16-C	-	-	-
CCF-3/4	CRC-12	CS-24	CR-3/4-C	CF-12-Y	CR 12 VR	CRV12/3AS
CCF-7/8	CRC-14	CS-28	CR-7/8-C	CF-14-Y	CR 14 VR	CRV14/3AS
CCF-1	CRC-16	CS-32	CR-1-C	CF-16-Y	CR 16 VR	CRV16/3AS
CCF-1 1/8	CRC-18	CS-36	CR-1 1/8-C	CF-18-Y	CR 18 VR	CRV18/3AS
CCF-1 1/4	CRC-20	CS-40	CR-1 1/4-C	CF-20-Y	CR 20 VR	CRV20/3AS
CCF-1 3/8	CRC-22	CS-44	CR-1 3/8-C	CF-22-Y	CR 22 VR	CRV22/3AS
CCF-1 1/2	CRC-24	CS-48	CR-1 1/2-C	CF-24-Y	CR 24 VR	CRV24/3AS
CCF-1 5/8	CRC-26	CS-52	CR-1 5/8-C	CF-26-Y	CR 26 VR	CRV26/3AS
CCF-1 3/4	CRC-28	CS-56	CR-1 3/4-C	CF-28-Y	CR 28 VR	CRV28/3AS
CCF-1 7/8	CRC-30	CS-60	CR-1 7/8-C	CF-30-Y	CR 30 VR	CRV30/3AS
CCF-2	CRC-32	CS-64	CR-2-C	CF-32-Y	CR 32 VR	CRV32/3AS
CCF-2 1/4	CRC-36	CS-72	CR-2 1/4-C	CF-36-Y	CR 36 VR	CRV36/3AS
CCF-2 1/2	CRC-40	CS-80	CR-2 1/2-C	CF-40-Y	-	CRV40/3AS
CCF-2 3/4	CRC-44	CS-88	CR-2 3/4-C	CF-44-Y	-	CRV44/3AS
CCF-3	CRC-48	CS-96	CR-3-C	CF-48-Y	-	CRV48/3AS
CCF-3 1/4	CRC-52	CS-104	CR-3 1/4-C	CF-52-Y	-	CRV52/3AS
CCF-3 1/2	CRC-56	CS-112	CR-3 1/2-C	CF-56-Y	-	CRV56/3AS
CCF-4	CRC-64	CS-128	CR-4-C	CF-64-Y	-	CRV64/3AS
-	CRC-80	-	-	-	-	CRV80/3AS
-	CRC-96	-	-	-	-	CRV96/3AS
-	-	-	-	-	-	-
-	-	-	-	-	-	-
-	-	-	-	-	-	-
-	-	-	-	-	-	-

Metric	With Cage	Crowned OD	Hex Socket	With Seals	Concentric	<b>CCF.S</b>
Inch	Full Roller	Cylindrical OD	Slot Socket	W/O Seals	Eccentric	

Mc.GILL	TORR. NSK	RBC	SMITH	INA SKF	IKO	NTN
CCF-1/2-N-S	CRSC-8	-	CR-1/2-AXC	-	CR 8 VUUR	CRV8LL
CCF-1/2-S	CRSC-8-1	CS-16-L	CR-1/2-XC	CF-8-1-PPY	CR 8-1 VUUR	CRV8-1LL
CCF-9/16-S	-	CS-18-L	CR-9/16-XC	-	-	-
CCF-5/8-N-S	CRSC-10	-	CR-5/8-AXC	-	CR 10 VUUR	CRV10LL
CCF-5/8-S	CRSC-10-1	CS-20-L	CR-5/8-XC	CF-10-1-PPY	CR 10-1 VUUR	CRV10-1LL
CCF-11/16-S	-	CS-22-L	CR-11/16-XC	-	-	-
CCF-3/4-S	CRSC-12	CS-24-L	CR-3/4-XC	CF-12-PPY	CR 12 VUUR	CRV12LL
CCF-7/8-S	CRSC-14	CS-28-L	CR-7/8-XC	CF-14-PPY	CR 14 VUUR	CRV14LL
CCF-1-S	CRSC-16	CS-32-L	CR-1-XC	CF-16-PPY	CR 16 VUUR	CRV16LL
CCF-1 1/8-S	CRSC-18	CS-36-L	CR-1 1/8-XC	CF-18-PPY	CR 18 VUUR	CRV18LL
CCF-1 1/4-S	CRSC-20	CS-40-L	CR-1 1/4-XC	CF-20-PPY	CR 20 VUUR	CRV20LL
CCF-1 3/8-S	CRSC-22	CS-44-L	CR-1 3/8-XC	CF-22-PPY	CR 22 VUUR	CRV22LL
CCF-1 1/2-S	CRSC-24	CS-48-L	CR-1 1/2-XC	CF-24-PPY	CR 24 VUUR	CRV24LL
CCF-1 5/8-S	CRSC-26	CS-52-L	CR-1 5/8-XC	CF-26-PPY	CR 26 VUUR	CRV26LL
CCF-1 3/4-S	CRSC-28	CS-56-L	CR-1 3/4-XC	CF-28-PPY	CR 28 VUUR	CRV28LL
CCF-1 7/8-S	CRSC-30	CS-60-L	CR-1 7/8-XC	CF-30-PPY	CR 30 VUUR	CRV30LL
CCF-2-S	CRSC-32	CS-64-L	CR-2-XC	CF-32-PPY	CR 32 VUUR	CRV32LL
CCF-2 1/4-S	CRSC-36	CS-72-L	CR-2 1/4-XC	CF-36-PPY	CR 36 VUUR	CRV36LL
CCF-2 1/2-S	CRSC-40	CS-80-L	CR-2 1/2-XC	CF-40-PPY	-	CRV40LL
CCF-2 3/4-S	CRSC-44	CS-88-L	CR-2 3/4-XC	CF-44-PPY	-	CRV44LL
CCF-3-S	CRSC-48	CS-96-L	CR-3-XC	CF-48-PPY	-	CRV48LL
CCF-3 1/4-S	CRSC-52	CS-104-L	CR-3 1/4-XC	CF-52-PPY	-	CRV52LL
CCF-3 1/2-S	CRSC-56	CS-112-L	CR-3 1/2-XC	CF-56-PPY	-	CRV56LL
CCF-4-S	CRSC-64	CS-128-L	CR-4-XC	CF-64-PPY	-	CRV64LL
CCF-5-S	CRSBC-80	CS-160-LW	CR-5-XBC	-	-	CRV80LL
CCF-6-S	CRSBC-96	CS-192-LW	CR-6-XBC	-	-	CRV96LL
CCF-7-S	CRSBC-112	-	-	-	-	-
CCF-8-S	-	-	-	-	-	-
CCF-9-S	-	-	-	-	-	-
CCF-10-S	-	-	-	-	-	-

# Interchange of Cam Follower - Inch Series

Metric	With Cage	Crowned OD	Hex Socket	With Seals	Concentric	<b>CCF...-B</b>
Inch	Full Roller	Cylindrical OD	Slot Socket	W/O Seals	Eccentric	

Mc.GILL	TORR. NSK	RBC	SMITH	INA SKF	IKO	NTN
CCF-1/2-N-B	CRBC-8	-	CR-1/2-A-BC	-	CR 8 VBR	CRV 8H/3AS
CCF-1/2-B	CRBC-8-1	CS-16-W	CR-1/2-BC	CF-8-1-YSK	CR 8-1 VBR	CRV 8-1H/3AS
CCF-9/16-B	-	CS-18-W	CR-9/16-BC	-	-	-
CCF-5/8-N-B	CRBC-10	-	CR-5/8-A-BC	-	CR 10 VBR	CRV10H/3AS
CCF-5/8-B	CRBC-10-1	CS-20-W	CR-5/8-BC	CF-10-1-YSK	CR 10-1 VBR	CRV10-1H/3AS
CCF-11/16-B	-	CS-22-W	CR-11/16-BC	-	-	-
CCF-3/4-B	CRBC-12	CS-24-W	CR-3/4-BC	CF-12-YSK	CR 12 VBR	CRV12H/3AS
CCF-7/8-B	CRBC-14	CS-28-W	CR-7/8-BC	CF-14-YSK	CR 14 VBR	CRV14H/3AS
CCF-1-B	CRBC-16	CS-32-W	CR-1-BC	CF-16-YSK	CR 16 VBR	CRV16H/3AS
CCF-1 1/8-B	CRBC-18	CS-36-W	CR-1 1/8-BC	CF-18-YSK	CR 18 VBR	CRV18H/3AS
CCF-1 1/4-B	CRBC-20	CS-40-W	CR-1 1/4-BC	CF-20-YSK	CR 20 VBR	CRV20H/3AS
CCF-1 3/8-B	CRBC-22	CS-44-W	CR-1 3/8-BC	CF-22-YSK	CR 22 VBR	CRV22H/3AS
CCF-1 1/2-B	CRBC-24	CS-48-W	CR-1 1/2-BC	CF-24-YSK	CR 24 VBR	CRV24H/3AS
CCF-1 5/8-B	CRBC-26	CS-52-W	CR-1 5/8-BC	CF-26-YSK	CR 26 VBR	CRV26H/3AS
CCF-1 3/4-B	CRBC-28	CS-56-W	CR-1 3/4-BC	CF-28-YSK	CR 28 VBR	CRV28H/3AS
CCF-1 7/8-B	CRBC-30	CS-60-W	CR-1 7/8-BC	CF-30-YSK	CR 30 VBR	CRV30H/3AS
CCF-2-B	CRBC-32	CS-64-W	CR-2-BC	CF-32-YSK	CR 32 VBR	CRV32H/3AS
CCF-2 1/4-B	CRBC-36	CS-72-W	CR-2 1/4-BC	CF-36-YSK	CR 36 VBR	CRV36H/3AS
CCF-2 1/2-B	CRBC-40	CS-80-W	CR-2 1/2-BC	CF-40-YSK	-	CRV40H/3AS
CCF-2 3/4-B	CRBC-44	CS-88-W	CR-2 3/4-BC	CF-44-YSK	-	CRV44H/3AS
CCF-3-B	CRBC-48	CS-96-W	CR-3-BC	CF-48-YSK	-	CRV48H/3AS
CCF-3 1/4-B	CRBC-52	CS-104-W	CR-3 1/4-BC	CF-52-YSK	-	CRV52H/3AS
CCF-3 1/2-B	CRBC-56	CS-112-W	CR-3 1/2-BC	CF-56-YSK	-	CRV56H/3AS
CCF-4-B	CRBC-64	CS-128-W	CR-4-BC	CF-64-YSK	-	CRV64H/3AS
CCF-5-B	CRBC-80	CS-160-LW	CR-5-BC	-	-	CRV80H/3AS
CCF-6-B	CRBC-96	CS-192-LW	CR-6-BC	-	-	CRV96H/3AS
CCF-7-B	-	-	-	-	-	-
CCF-8-B	-	-	-	-	-	-
CCF-9-B	-	-	-	-	-	-
CCF-10-B	-	-	-	-	-	-

Metric	With Cage	Crowned OD	Hex Socket	With Seals	Concentric	<b>CCF...-SB</b>
Inch	Full Roller	Cylindrical OD	Slot Socket	W/O Seals	Eccentric	

Mc.GILL	TORR. NSK	RBC	SMITH	INA SKF	IKO	NTN
CCF-1/2-N-SB	CRSBC-8	-	CR-1/2-A-XBC	-	CR 8 VBUUR	CRV 8HLL/3AS
CCF-1/2-SB	CRSBC-8-1	CS-16-LW	CR-1/2-XBC	CF-8-1-PPYSK	CR 8-1 VBUUR	CRV 8-1HLL/3AS
CCF-9/16-SB	-	CS-18-LW	CR-9/16-XBC	-	-	-
CCF-5/8-N-SB	CRSBC-10	-	CR-5/8-A-XBC	-	CR 10 VBUUR	CRV10HLL/3AS
CCF-5/8-SB	CRSBC-10-1	CS-20-LW	CR-5/8-XBC	CF-10-1-PPYSK	CR 10-1 VBUUR	CRV10-1HLL/3AS
CCF-11/16-SB	-	CS-22-LW	CR-11/16-XBC	-	-	-
CCF-3/4-SB	CRSBC-12	CS-24-LW	CR-3/4-XBC	CF-12-PPYSK	CR 12 VBUUR	CRV12HLL/3AS
CCF-7/8-SB	CRSBC-14	CS-28-LW	CR-7/8-XBC	CF-14-PPYSK	CR 14 VBUUR	CRV14HLL/3AS
CCF-1-SB	CRSBC-16	CS-32-LW	CR-1-XBC	CF-16-PPYSK	CR 16 VBUUR	CRV16HLL/3AS
CCF-1 1/8-SB	CRSBC-18	CS-36-LW	CR-1 1/8-XBC	CF-18-PPYSK	CR 18 VBUUR	CRV18HLL/3AS
CCF-1 1/4-SB	CRSBC-20	CS-40-LW	CR-1 1/4-XBC	CF-20-PPYSK	CR 20 VBUUR	CRV20HLL/3AS
CCF-1 3/8-SB	CRSBC-22	CS-44-LW	CR-1 3/8-XBC	CF-22-PPYSK	CR 22 VBUUR	CRV22HLL/3AS
CCF-1 1/2-SB	CRSBC-24	CS-48-LW	CR-1 1/2-XBC	CF-24-PPYSK	CR 24 VBUUR	CRV24HLL/3AS
CCF-1 5/8-SB	CRSBC-26	CS-52-LW	CR-1 5/8-XBC	CF-26-PPYSK	CR 26 VBUUR	CRV26HLL/3AS
CCF-1 3/4-SB	CRSBC-28	CS-56-LW	CR-1 3/4-XBC	CF-28-PPYSK	CR 28 VBUUR	CRV28HLL/3AS
CCF-1 7/8-SB	CRSBC-30	CS-60-LW	CR-1 7/8-XBC	CF-30-PPYSK	CR 30 VBUUR	CRV30HLL/3AS
CCF-2-SB	CRSBC-32	CS-64-LW	CR-2-XBC	CF-32-PPYSK	CR 32 VBUUR	CRV32HLL/3AS
CCF-2 1/4-SB	CRSBC-36	CS-72-LW	CR-2 1/4-XBC	CF-36-PPYSK	CR 36 VBUUR	CRV36HLL/3AS
CCF-2 1/2-SB	CRSBC-40	CS-80-LW	CR-2 1/2-XBC	CF-40-PPYSK	-	CRV40HLL/3AS
CCF-2 3/4-SB	CRSBC-44	CS-88-LW	CR-2 3/4-XBC	CF-44-PPYSK	-	CRV44HLL/3AS
CCF-3-SB	CRSBC-48	CS-96-LW	CR-3-XBC	CF-48-PPYSK	-	CRV48HLL/3AS
CCF-3 1/4-SB	CRSBC-52	CS-104-LW	CR-3 1/4-XBC	CF-52-PPYSK	-	CRV52HLL/3AS
CCF-3 1/2-SB	CRSBC-56	CS-112-LW	CR-3 1/2-XBC	CF-56-PPYSK	-	CRV56HLL/3AS
CCF-4-SB	CRSBC-64	CS-128-LW	CR-4-XBC	CF-64-PPYSK	-	CRV64HLL/3AS
CCF-5-SB	CRSBC-80	CS-160-LW	CR-5-XBC	-	-	CRV80HLL/3AS
CCF-6-SB	CRSBC-96	CS-192-LW	CR-6-XBC	-	-	CRV96HLL/3AS
CCF-7-SB	-	-	-	-	-	-
CCF-8-SB	-	-	-	-	-	-
CCF-9-SB	-	-	-	-	-	-
CCF-10-SB	-	-	-	-	-	-

## Interchange of Cam Follower - Inch Series

Metric	With Cage	Crowned OD	Hex Socket	With Seals	Concentric	<b>CFH</b>
Inch	Full Roller	Cylindrical OD	Slot Socket	W/O Seals	Eccentric	

Mc.GILL	TORR. NSK	RBC	SMITH	INA SKF	IKO	NTN
CFH-1/2	CRH-8-1	H-16	HR-1/2	-	CRH 8-1 V	-
CFH-9/16	-	H-18	-	-	CRH 9 V	-
CFH-5/8	CRH-10-1	H-20	HR-5/8	-	CRH 10-1 V	-
CFH-11/16	-	H-22	-	-	CRH 11 V	-
CFH-3/4	CRH-12	H-24	HR-3/4	-	CRH 12 V	-
CFH-7/8	CRH-14	H-28	HR-7/8	-	CRH 14 V	-
CFH-1	CRH-16	H-32	HR-1	-	CRH 16 V	-
CFH-1 1/8	CRH-18	H-36	HR-1 1/8	-	CRH 18 V	-
CFH-1 1/4	CRH-20	H-40	HR-1 1/4	-	CRH 20 V	-
CFH-1 3/8	CRH-22	H-44	HR-1 3/8	-	CRH 22 V	-
CFH-1 1/2	CRH-24	H-48	HR-1 1/2	-	CRH 24 V	-
CFH-1 5/8	CRH-26	H-52	HR-1 5/8	-	CRH 26 V	-
CFH-1 3/4	CRH-28	H-56	HR-1 3/4	-	CRH 28 V	-
CFH-1 7/8	CRH-30	H-60	HR-1 7/8	-	CRH 30 V	-
CFH-2	CRH-32	H-64	HR-2	-	CRH 32 V	-
CFH-2 1/4	CRH-36	H-72	HR-2 1/4	-	CRH 36 V	-
CFH-2 1/2	CRH-40	H-80	HR-2 1/2	-	CRH 40 V	-
CFH-2 3/4	CRH-44	H-88	HR-2 3/4	-	CRH 44 V	-
CFH-3	CRH-48	H-96	HR-3	-	CRH 48 V	-
CFH-3 1/4	CRH-52	H-104	HR-3 1/4	-	CRH 52 V	-
CFH-3 1/2	CRH-56	H-112	HR-3 1/2	-	CRH 56 V	-
CFH-4	CRH-64	H-128	HR-4	-	CRH 64 V	-

Metric	With Cage	Crowned OD	Hex Socket	With Seals	Concentric	<b>CFH..S</b>
Inch	Full Roller	Cylindrical OD	Slot Socket	W/O Seals	Eccentric	

Mc.GILL	TORR. NSK	RBC	SMITH	INA SKF	IKO	NTN
CFH-1/2-S	CRHS-8-1	H-16-L	HR-1/2X	-	CRH 8-1 VUU	-
CFH-9/16-S		H-18-L		-	CRH 9 VUU	-
CFH-5/8-S	CRHS-10-1	H-20-L	HR-5/8X	-	CRH 10-1 VUU	-
		H-22-L		-	CRH 11 VUU	-
CFH-3/4-S	CRHS-12	H-24-L	HR-3/4X	-	CRH 12 VUU	-
CFH-7/8-S	CRHS-14	H-28-L	HR-7/8X	-	CRH 14 VUU	-
CFH-1-S	CRHS-16	H-32-L	HR-1X	-	CRH 16 VUU	-
CFH-1 1/8-S	CRHS-18	H-36-L	HR-1 1/8X	-	CRH 18 VUU	-
CFH-1 1/4-S	CRHS-20	H-40-L	HR-1 1/4X	-	CRH 20 VUU	-
CFH-1 3/8-S	CRHS-22	H-44-L	HR-1 3/8X	-	CRH 22 VUU	-
CFH-1 1/2-S	CRHS-24	H-48-L	HR-1 1/2X	-	CRH 24 VUU	-
CFH-1 5/8-S	CRHS-26	H-52-L	HR-1 5/8X	-	CRH 26 VUU	-
CFH-1 3/4-S	CRHS-28	H-56-L	HR-1 3/4X	-	CRH 28 VUU	-
CFH-1 7/8-S	CRHS-30	H-60-L	HR-1 7/8X	-	CRH 30 VUU	-
CFH-2-S	CRHS-32	H-64-L	HR-2X	-	CRH 32 VUU	-
CFH-2 1/4-S	CRHS-36	H-72-L	HR-2 1/4X	-	CRH 36 VUU	-
CFH-2 1/2-S	CRHS-40	H-80-L	HR-2 1/2X	-	CRH 40 VUU	-
CFH-2 3/4-S	CRHS-44	H-88-L	HR-2 3/4X	-	CRH 44 VUU	-
CFH-3-S	CRHS-48	H-96-L	HR-3X	-	CRH 48 VUU	-
CFH-3 1/4-S	CRHS-52	H-104-L	HR-3 1/4X	-	CRH 52 VUU	-
CFH-3 1/2-S	CRHS-56	H-112-L	HR-3 1/2X	-	CRH 56 VUU	-
CFH-4-S	CRHS-64	H-128-L	HR-4X	-	CRH 64 VUU	-
CFH-5-S	CRHSB-80	H-160-LW	-	-	-	-
CFH-6-S	CRHSB-96	H-192-LW	-	-	-	-
CFH-7-S	CRHSB-112	-	-	-	-	-

## Interchange of Cam Follower - Inch Series

Metric	With Cage	Crowned OD	Hex Socket	With Seals	Concentric	<b>CCFH</b>
Inch	Full Roller	Cylindrical OD	Slot Socket	W/O Seals	Eccentric	

Mc.GILL	TORR. NSK	RBC	SMITH	INA SKF	IKO	NTN
CCFH-1/2	CRHC-8-1	CH-16	HR-1/2-C	-	CRH 8-1 VR	-
CCFH-9/16	-	CH-18	-	-	CRH 9 VR	-
CCFH-5/8	CRHC-10-1	CH-20	HR-5/8-C	-	CRH 10-1 VR	-
CCFH-11/16	-	CH-22	-	-	CRH 11 VR	-
CCFH-3/4	CRHC-12	CH-24	HR-3/4-C	-	CRH 12 VR	-
CCFH-7/8	CRHC-14	CH-28	HR-7/8-C	-	CRH 14 VR	-
CCFH-1	CRHC-16	CH-32	HR-1-C	-	CRH 16 VR	-
CCFH-1 1/8	CRHC-18	CH-36	HR-1 1/8-C	-	CRH 18 VR	-
CCFH-1 1/4	CRHC-20	CH-40	HR-1 1/4-C	-	CRH 20 VR	-
CCFH-1 3/8	CRHC-22	CH-44	HR-1 3/8-C	-	CRH 22 VR	-
CCFH-1 1/2	CRHC-24	CH-48	HR-1 1/2-C	-	CRH 24 VR	-
CCFH-1 5/8	CRHC-26	CH-52	HR-1 5/8-C	-	CRH 26 VR	-
CCFH-1 3/4	CRHC-28	CH-56	HR-1 3/4-C	-	CRH 28 VR	-
CCFH-1 7/8	CRHC-30	CH-60	HR-1 7/8-C	-	CRH 30 VR	-
CCFH-2	CRHC-32	CH-64	HR-2-C	-	CRH 32 VR	-
CCFH-2 1/4	CRHC-36	CH-72	HR-2 1/4-C	-	CRH 36 VR	-
CCFH-2 1/2	CRHC-40	CH-80	HR-2 1/2-C	-	CRH 40 VR	-
CCFH-2 3/4	CRHC-44	CH-88	HR-2 3/4-C	-	CRH 44 VR	-
CCFH-3	CRHC-48	CH-96	HR-3-C	-	CRH 48 VR	-
CCFH-3 1/4	CRHC-52	CH-104	HR-3 1/4-C	-	CRH 52 VR	-
CCFH-3 1/2	CRHC-56	CH-112	HR-3 1/2-C	-	CRH 56 VR	-
CCFH-4	CRHC-64	CH-128	HR-4-C	-	CRH 64 VR	-

Metric	With Cage	Crowned OD	Hex Socket	With Seals	Concentric	<b>CCFH..S</b>
Inch	Full Roller	Cylindrical OD	Slot Socket	W/O Seals	Eccentric	

Mc.GILL	TORR. NSK	RBC	SMITH	INA SKF	IKO	NTN
CCFH-1/2-S	CRHSC-8-1	CH-16-L	HR-1/2-XC	-	CRH 8-1 VUU	-
CCFH-9/16-S	-	CH-18-L	-	-	CRH 9 VUU	-
CCFH-5/8-S	CRHSC-10-1	CH-20-L	HR-5/8-XC	-	CRH 10-1 VUU	-
		CH-22-L	-	-	CRH 11 VUU	-
CCFH-3/4-S	CRHSC-12	CH-24-L	HR-3/4-XC	-	CRH 12 VUU	-
CCFH-7/8-S	CRHSC-14	CH-28-L	HR-7/8-XC	-	CRH 14 VUU	-
CCFH-1-S	CRHSC-16	CH-32-L	HR-1-XC	-	CRH 16 VUU	-
CCFH-1 1/8-S	CRHSC-18	CH-36-L	HR-1 1/8-XC	-	CRH 18 VUU	-
CCFH-1 1/4-S	CRHSC-20	CH-40-L	HR-1 1/4-XC	-	CRH 20 VUU	-
CCFH-1 3/8-S	CRHSC-22	CH-44-L	HR-1 3/8-XC	-	CRH 22 VUU	-
CCFH-1 1/2-S	CRHSC-24	CH-48-L	HR-1 1/2-XC	-	CRH 24 VUU	-
CCFH-1 5/8-S	CRHSC-26	CH-52-L	HR-1 5/8-XC	-	CRH 26 VUU	-
CCFH-1 3/4-S	CRHSC-28	CH-56-L	HR-1 3/4-XC	-	CRH 28 VUU	-
CCFH-1 7/8-S	CRHSC-30	CH-60-L	HR-1 7/8-XC	-	CRH 30 VUU	-
CCFH-2-S	CRHSC-32	CH-64-L	HR-2-XC	-	CRH 32 VUU	-
CCFH-2 1/4-S	CRHSC-36	CH-72-L	HR-2 1/4-XC	-	CRH 36 VUU	-
CCFH-2 1/2-S	CRHSC-40	CH-80-L	HR-2 1/2-XC	-	CRH 40 VUU	-
CCFH-2 3/4-S	CRHSC-44	CH-88-L	HR-2 3/4-XC	-	CRH 44 VUU	-
CCFH-3-S	CRHSC-48	CH-96-L	HR-3-XC	-	CRH 48 VUU	-
CCFH-3 1/4-S	CRHSC-52	CH-104-L	HR-3 1/4-XC	-	CRH 52 VUU	-
CCFH-3 1/2-S	CRHSC-56	CH-112-L	HR-3 1/2-XC	-	CRH 56 VUU	-
CCFH-4-S	CRHSC-64	CH-128-L	HR-4-XC	-	CRH 64 VUU	-
CCFH-5-S	CRHSBC-80	CH-160-LW	-	-	-	-
CCFH-6-S	CRHSBC-96	CH-192-LW	-	-	-	-
CCFH-7-S	CRHSBC-112	-	-	-	-	-



# Interchange of Cam Follower - Inch Series

Metric	With Cage	Crowned OD	Hex Socket	With Seals	Concentric	<b>CCFH..B</b>
Inch	Full Roller	Cylindrical OD	Slot Socket	W/O Seals	Eccentric	

Mc.GILL	TORR. NSK	RBC	SMITH	INA SKF	IKO	NTN
CCFH-1/2-B	CRHBC-8-1	CH-16-W	HR-1/2BC	-	CRH 8-1 VBR	-
CCFH-9/16-B		CH-18-W		-	CRH 9 VBR	-
CCFH-5/8-B	CRHBC-10-1	CH-20-W	HR-5/8BC	-	CRH 10-1 VBR	-
		CH-22-W		-	CRH 11 VBR	-
CCFH-3/4-B	CRHBC-12	CH-24-W	HR-3/4BC	-	CRH 12 VBR	-
CCFH-7/8-B	CRHBC-14	CH-28-W	HR-7/8BC	-	CRH 14 VBR	-
CCFH-1-B	CRHBC-16	CH-32-W	HR-1BC	-	CRH 16 VBR	-
CCFH-1 1/8-B	CRHBC-18	CH-36-W	HR-1 1/8BC	-	CRH 18 VBR	-
CCFH-1 1/4-B	CRHBC-20	CH-40-W	HR-1 1/4BC	-	CRH 20 VBR	-
CCFH-1 3/8-B	CRHBC-22	CH-44-W	HR-1 3/8BC	-	CRH 22 VBR	-
CCFH-1 1/2-B	CRHBC-24	CH-48-W	HR-1 1/2BC	-	CRH 24 VBR	-
CCFH-1 5/8-B	CRHBC-26	CH-52-W	HR-1 5/8BC	-	CRH 26 VBR	-
CCFH-1 3/4-B	CRHBC-28	CH-56-W	HR-1 3/4BC	-	CRH 28 VBR	-
CCFH-1 7/8-B	CRHBC-30	CH-60-W	HR-1 7/8BC	-	CRH 30 VBR	-
CCFH-2-B	CRHBC-32	CH-64-W	HR-2BC	-	CRH 32 VBR	-
CCFH-2 1/4-B	CRHBC-36	CH-72-W	HR-2 1/4BC	-	CRH 36 VBR	-
CCFH-2 1/2-B	CRHBC-40	CH-80-W	HR-2 1/2BC	-	CRH 40 VBR	-
CCFH-2 3/4-B	CRHBC-44	CH-88-W	HR-2 3/4BC	-	CRH 44 VBR	-
CCFH-3-B	CRHBC-48	CH-96-W	HR-3BC	-	CRH 48 VBR	-
CCFH-3 1/4-B	CRHBC-52	CH-104-W	HR-3 1/4BC	-	CRH 52 VBR	-
CCFH-3 1/2-B	CRHBC-56	CH-112-W	HR-3 1/2BC	-	CRH 56 VBR	-
CCFH-4-B	CRHBC-64	CH-128-W	HR-4BC	-	CRH 64 VBR	-
CCFH-5-B	CRHBC-80	CH-160-LW	-	-	-	-
CCFH-6-B	CRHBC-96	CH-192-LW	-	-	-	-
CCFH-7-B	CRHBC-112	-	-	-	-	-

Metric	With Cage	Crowned OD	Hex Socket	With Seals	Concentric	<b>CCFH..SB</b>
Inch	Full Roller	Cylindrical OD	Slot Socket	W/O Seals	Eccentric	

Mc.GILL	TORR. NSK	RBC	SMITH	INA SKF	IKO	NTN
CCFH-1/2-SB	CRHSBC-8-1	CH-16-LW	HR-1/2XBC	-	CRH 8-1 VBUUR	-
CCFH-9/16-SB		CH-18-LW		-	CRH 9 VBUUR	-
CCFH-5/8-SB	CRHSBC-10-1	CH-20-LW	HR-5/8XBC	-	CRH 10-1 VBUUR	-
		CH-22-LW		-	CRH 11 VBUUR	-
CCFH-3/4-SB	CRHSBC-12	CH-24-LW	HR-3/4XBC	-	CRH 12 VBUUR	-
CCFH-7/8-SB	CRHSBC-14	CH-28-LW	HR-7/8XBC	-	CRH 14 VBUUR	-
CCFH-1-SB	CRHSBC-16	CH-32-LW	HR-1XBC	-	CRH 16 VBUUR	-
CCFH-1 1/8-SB	CRHSBC-18	CH-36-LW	HR-1 1/8XBC	-	CRH 18 VBUUR	-
CCFH-1 1/4-SB	CRHSBC-20	CH-40-LW	HR-1 1/4XBC	-	CRH 20 VBUUR	-
CCFH-1 3/8-SB	CRHSBC-22	CH-44-LW	HR-1 3/8XBC	-	CRH 22 VBUUR	-
CCFH-1 1/2-SB	CRHSBC-24	CH-48-LW	HR-1 1/2XBC	-	CRH 24 VBUUR	-
CCFH-1 5/8-SB	CRHSBC-26	CH-52-LW	HR-1 5/8XBC	-	CRH 26 VBUUR	-
CCFH-1 3/4-SB	CRHSBC-28	CH-56-LW	HR-1 3/4XBC	-	CRH 28 VBUUR	-
CCFH-1 7/8-SB	CRHSBC-30	CH-60-LW	HR-1 7/8XBC	-	CRH 30 VBUUR	-
CCFH-2-SB	CRHSBC-32	CH-64-LW	HR-2XBC	-	CRH 32 VBUUR	-
CCFH-2 1/4-SB	CRHSBC-36	CH-72-LW	HR-2 1/4XBC	-	CRH 36 VBUUR	-
CCFH-2 1/2-SB	CRHSBC-40	CH-80-LW	HR-2 1/2XBC	-	CRH 40 VBUUR	-
CCFH-2 3/4-SB	CRHSBC-44	CH-88-LW	HR-2 3/4XBC	-	CRH 44 VBUUR	-
CCFH-3-SB	CRHSBC-48	CH-96-LW	HR-3XBC	-	CRH 48 VBUUR	-
CCFH-3 1/4-SB	CRHSBC-52	CH-104-LW	HR-3 1/4XBC	-	CRH 52 VBUUR	-
CCFH-3 1/2-SB	CRHSBC-56	CH-112-LW	HR-3 1/2XBC	-	CRH 56 VBUUR	-
CCFH-4-SB	CRHSBC-64	CH-128-LW	HR-4XBC	-	CRH 64 VBUUR	-
CCFH-5-SB	CRHSBC-80	CH-160-LW	-	-	-	-
CCFH-6-SB	CRHSBC-96	CH-192-LW	-	-	-	-
CCFH-7-SB	CRHSBC-112	-	-	-	-	-

# Interchange of Cam Follower - Inch Series

Metric	With Cage	Crowned OD	Hex Socket	With Seals	Concentric	<b>CFE...S</b>
Inch	Full Roller	Cylindrical OD	Slot Socket	W/O Seals	Eccentric	

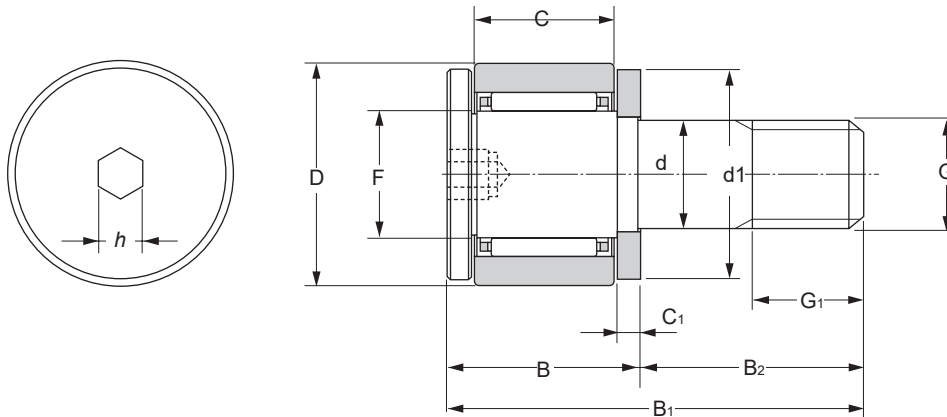
Mc.GILL	TORR. NSK	RBC	SMITH	INA SKF	IKO	NTN
CFE-1/2-N-S	CRSE-8	-	CR-1/2-AXE	-	-	-
CFE-1/2-S	CRSE-8-1	S-16-LX	CR-1/2XE	CFE-8-1-PP	-	-
CFE-9/16-S	-	S-18-LX	CR-9/16XE	-	-	-
CFE-5/8-N-S	CRSE-10	-	CR-5/8-AXE	-	-	-
CFE-5/8-S	CRSE-10-1	S-20-LX	CR-5/8XE	CFE-10-1-PP	-	-
CFE-11/16-S	-	S-22-LX	CR-11/16XE	-	-	-
CFE-3/4-S	CRSE-12	S-24-LX	CR-3/4XE	CFE-12-PP	-	-
CFE-7/8-S	CRSE-14	S-28-LX	CR-7/8XE	CFE-14-PP	-	-
CFE-1-S	CRSE-16	S-32-LX	CR-1XE	CFE-16-PP	-	-
CFE-1 1/8-S	CRSE-18	S-36-LX	CR-1 1/8XE	CFE-18-PP	-	-
CFE-1 1/4-S	CRSE-20	S-40-LX	CR-1 1/4XE	CFE-20-PP	-	-
CFE-1 3/8-S	CRSE-22	S-44-LX	CR-1 3/8XE	CFE-22-PP	-	-
CFE-1 1/2-S	CRSE-24	S-48-LX	CR-1 1/2XE	CFE-24-PP	-	-
CFE-1 5/8-S	CRSE-26	S-52-LX	CR-1 5/8XE	CFE-26-PP	-	-
CFE-1 3/4-S	CRSE-28	S-56-LX	CR-1 3/4XE	CFE-28-PP	-	-
CFE-1 7/8-S	CRSE-30	S-60-LX	CR-1 7/8XE	CFE-30-PP	-	-
CFE-2-S	CRSE-32	S-64-LX	CR-2XE	CFE-32-PP	-	-
CFE-2 1/4-S	CRSE-36	S-72-LX	CR-2 1/4XE	CFE-36-PP	-	-
CFE-2 1/2-S	CRSE-40	S-80-LX	CR-2 1/2XE	CFE-40-PP	-	-
CFE-2 3/4-S	CRSE-44	S-88-LX	CR-2 3/4XE	CFE-44-PP	-	-
CFE-3-S	CRSE-48	S-96-LX	CR-3XE	CFE-48-PP	-	-
CFE-3 1/4-S	CRSE-52	S-104-LX	CR-3 1/4XE	CFE-52-PP	-	-
CFE-3 1/2-S	CRSE-56	S-112-LX	CR-3 1/2XE	CFE-56-PP	-	-
CFE-4-S	CRSE-64	S-128-LX	CR-4XE	CFE-64-PP	-	-

Metric	With Cage	Crowned OD	Hex Socket	With Seals	Concentric	<b>CCFE...S</b>
Inch	Full Roller	Cylindrical OD	Slot Socket	W/O Seals	Eccentric	

Mc.GILL	TORR. NSK	RBC	SMITH	INA SKF	IKO	NTN
CCFE-1/2-N-S	CRSEC-8	-	CR-1/2-A-XEC	-	-	-
CCFE-1/2-S	CRSEC-8-1	CS-16-LX	CR-1/2-XEC	CFE-8-1-YPP	-	-
CCFE-9/16-S	-	CS-18-LX	CR-9/16-XEC	-	-	-
CCFE-5/8-N-S	CRSEC-10	-	CR-5/8-A-XEC	-	-	-
CCFE-5/8-S	CRSEC-10-1	CS-20-LX	CR-5/8-XEC	CFE-10-1-YPP	-	-
CCFE-11/16-S	-	CS-22-LX	CR-11/16-XEC	-	-	-
CCFE-3/4-S	CRSEC-12	CS-24-LX	CR-3/4-XEC	CFE-12-YPP	-	-
CCFE-7/8-S	CRSEC-14	CS-28-LX	CR-7/8-XEC	CFE-14-YPP	-	-
CCFE-1-S	CRSEC-16	CS-32-LX	CR-1-XEC	CFE-16-YPP	-	-
CCFE-1 1/8-S	CRSEC-18	CS-36-LX	CR-1 1/8-XEC	CFE-18-YPP	-	-
CCFE-1 1/4-S	CRSEC-20	CS-40-LX	CR-1 1/4-XEC	CFE-20-YPP	-	-
CCFE-1 3/8-S	CRSEC-22	CS-44-LX	CR-1 3/8-XEC	CFE-22-YPP	-	-
CCFE-1 1/2-S	CRSEC-24	CS-48-LX	CR-1 1/2-XEC	CFE-24-YPP	-	-
CCFE-1 5/8-S	CRSEC-26	CS-52-LX	CR-1 5/8-XEC	CFE-26-YPP	-	-
CCFE-1 3/4-S	CRSEC-28	CS-56-LX	CR-1 3/4-XEC	CFE-28-YPP	-	-
CCFE-1 7/8-S	CRSEC-30	CS-60-LX	CR-1 7/8-XEC	CFE-30-YPP	-	-
CCFE-2-S	CRSEC-32	CS-64-LX	CR-2-XEC	CFE-32-YPP	-	-
CCFE-2 1/4-S	CRSEC-36	CS-72-LX	CR-2 1/4-XEC	CFE-36-YPP	-	-
CCFE-2 1/2-S	CRSEC-40	CS-80-LX	CR-2 1/2-XEC	CFE-40-YPP	-	-
CCFE-2 3/4-S	CRSEC-44	CS-88-LX	CR-2 3/4-XEC	CFE-44-YPP	-	-
CCFE-3-S	CRSEC-48	CS-96-LX	CR-3-XEC	CFE-48-YPP	-	-
CCFE-3 1/4-S	CRSEC-52	CS-104-LX	CR-3 1/4-XEC	CFE-52-YPP	-	-
CCFE-3 1/2-S	CRSEC-56	CS-112-LX	CR-3 1/2-XEC	CFE-56-YPP	-	-
CCFE-4-S	CRSEC-64	CS-128-LX	CR-4-XEC	CFE-64-YPP	-	-

# Miniature Cam Followers

- CFS...A & CFS...VA
- HEX SOCKET



Cylindrical OD	Dimensions(mm)										Basic load rating		Largest permissible Load(N)	Max tightening torque N.m	N.W. ≈g
	d	D	C	G	G1	B1	B2	C1	H	f min	dynamic Cr(N)	static Cor(N)			
CFS 2.5A	2.5	5	3	M2.5x0.45	2.5	9.5	5	0.7	0.9	4.8	410	355	260	0.2	1
CFS2.5VA											1000	1080			
CFS 3A	3	6	4	M3x0.5	3	11.5	6	0.7	1.5	5.8	630	610	360	0.3	2
CFS 3VA											1370	1770			
CFS 4A	4	8	5	M4x0.7	4	15	8	1	2	7.7	1080	1080	780	0.6	4
CFS 4VA											2350	3040			
CFS 5A	5	10	6	M5x0.7	5	18	10	1	2.5	9.6	1570	1860	1420	1.3	7
CFS 5VA											3140	4710			
CFS 6A	6	12	7	M6x1	6	21.5	12	1.2	3	11.6	2060	2160	2110	2.3	13
CFS 6VA											4610	6270			

## Interchange

C&H		IKO		NTN	
cage	full roller	cage	full roller	cage	full roller
CFS 2.5A	CFS 2.5VA	CFS 2.5	CFS 2.5V	KRM5XT2H/3A	KRMV5XT2H/3A
CFS 3A	CFS 3VA	CFS 3	CFS 3V	KRM6XT2H/3A	KRMV6XT2H/3A
CFS 4A	CFS 4VA	CFS 4	CFS 4V	KRM8XT2H/3A	KRMV8XT2H/3A
CFS 5A	CFS 5VA	CFS 5	CFS 5V	KRM10XT2H/3A	KRMV10XT2H/3A
CFS 6A	CFS 6VA	CFS 6	CFS 6V	KRM12XT2H/3A	KRMV12XT2H/3A

# Stainless Steel Miniature Cam Followers



- SCFS...A & SCFS...VA
- HEX SOCKET



Cylindrical OD	Dimensions(mm)										Basic load rating		Largest permissible Load(N)	Max tightening torque N.m	N.W. ≈g
	d	D	C	G	G1	B1	B2	C1	H	f min	dynamic Cr(N)	static Cor(N)			
SCFS 2.5A	2.5	5	3	M2.5x0.45	2.5	9.5	5	0.7	0.9	4.8	370	300	260	0.2	1
SCFS2.5VA											920	990			
SCFS 3A	3	6	4	M3x0.5	3	12	6	0.7	1.5	5.8	570	560	360	0.3	2
SCFS 3VA											1260	1620			
SCFS 4A	4	8	5	M4x0.7	4	15	8	1	2	7.7	990	990	780	0.6	4
SCFS 4VA											2160	2790			
SCFS 5A	5	10	6	M5x0.7	5	18	10	1	2.5	9.6	1440	1710	1420	1.3	7
SCFS 5VA											2880	4330			
SCFS 6A	6	12	7	M6x1	6	22	12	1.2	3	11.6	1890	1980	2110	2.3	13
SCFS 6VA											4240	5760			

## Interchange

C&H		IKO		NTN	
cage	full roller	cage	full roller	cage	full roller
SCFS 2.5A	SCFS 2.5VA	CFS 2.5F	CFS 2.5FV	2F-KRM5XT2H/3A	2F-KRMV5XT2H/3A
SCFS 3A	SCFS 3VA	CFS 3F	CFS 3FV	2F-KRM6XT2H/3A	2F-KRMV6XT2H/3A
SCFS 4A	SCFS 4VA	CFS 4F	CFS 4FV	2F-KRM8XT2H/3A	2F-KRMV8XT2H/3A
SCFS 5A	SCFS 5VA	CFS 5F	CFS 5FV	2F-KRM10XT2H/3A	2F-KRMV10XT2H/3A
SCFS 6A	SCFS 6VA	CFS 6F	CFS 6FV	2F-KRM12XT2H/3A	2F-KRMV12XT2H/3A

## Accuracy

Table 1 - Tolerances

unit:  $\mu\text{m}$

Item	Series	Miniature Type Cam Followers CFS	Standard Type Cam Followers (*)		Inch Series Cam Followers	
			Crowned outer ring	Cylindrical outer ring	Crowned outer ring	Cylindrical outer ring
Outside dia. of outer ring D		See Table 2.1	0 -50	See Table 2.2	0 -50	See Table 2.3
Stud diameter $d_1$		h6	h7		+ 25 0	
Width of outer ring C		0 -120	0 -120		0 -130	

Note (\*) Applicable for Cam Followers other than Miniature Type Cam Followers and Inch Series Cam Followers.

Table 2.1 - Tolerance and allowance of outer ring (Miniature Type Cam Followers CFS )

unit:  $\mu\text{m}$

$\Delta D_{mp}$ Deviation of mean outside diameter in a single plane								$K_{ea}$ Radial runout of outer ring of assembled bearing (Maximum)			
Class 0		Class 6		Class 5		Class 4		Class 0	Class 6	Class 5	Class 4
High	Low	High	Low	High	Low	High	Low				
0	-8	0	-7	0	-5	0	-4	15	8	5	4

Table 2.2 - Tolerance and allowance of outer ring (Standard Type Cam Followers, Cylindrical outer ring)

unit:  $\mu\text{m}$

D Nominal outside diameter of outer ring mm		$\Delta D_{mp}$ Deviation of mean outside diameter in a single plane		$V_{Dsp}$ Variation of outside diameter in a single plane (Maximum)	$V_{Dmp}$ Variation of mean outside diameter (Maximum)	$K_{ea}$ Radial runout of outer ring of assembled bearing (Maximum)
Over	Incl.	High	Low			
6	18	0	- 8	10	6	15
18	30	0	- 9	12	7	15
30	50	0	-11	14	8	20
50	80	0	-13	16	10	25
80	120	0	-15	19	11	35

Table 2.3 - Tolerance and allowance of outer ring (Inch series Cam Followers, Cylindrical outer ring)

unit:  $\mu\text{m}$

D Nominal outside diameter of outer ring mm		$\Delta D_{mp}$ Deviation of mean outside diameter in a single plane		$V_{Dsp}$ Variation of outside diameter in a single plane (Maximum)	$V_{Dmp}$ Variation of mean outside diameter (Maximum)	$K_{ea}$ Radial runout of outer ring of assembled bearing (Maximum)
Over	Incl.	High	Low			
6	18	0	-25	10	6	15
18	30			12	7	15
30	50			14	8	20
50	80			16	10	25
80	120			19	11	35

## Radial Internal Clearance

Table 3 Radial internal clearance

unit:  $\mu\text{m}$

Identification number				Radial internal clearance			
Miniature Type Cam Followers CFS	Standard Type Cam Followers (1)		Cylindrical Roller Cam Followers	Inch Series Cam Followers	Min.	Max.	
CFS1.4 to CFS5	KR	10 to KR	13	–	CF1/2N, 1/2, 9/16; CFH1/2, 9/16	3	17
CFS6	KR	16		–	CF5/8N, 5/8, 11/16; CFH5/8, 11/16	5	20
–	KR	19 to KR	32	–	CF3/4 to 1-3/8; CFH3/4 to 1-3/8	5	25
–	KR	35 to KR	52	–	CF1/2 to 2-1/4; CFH1/2 to 2-1/4	10	30
–	KR	62 to KR	90	–	CF3; CFH2-1/2 to 3-1/2	10	40
–	–	–	–	–	CFH4	15	50
–	–	–	–	NUKR35 to NUKR62	PWKR35 to PWKR62	20	45
–	–	–	–	NUKR72 to NUKR90	PWKR72 to PWKR90	25	50

Note (1) Applicable for all Cam Followers other than Miniature Type Cam Followers, Cylindrical Roller Cam Followers and Inch Series Cam Followers.

## Fit

Recommended fit of the Cam Followers stud and mounting hole is shown in Table 4 and dimensional tolerances of mounting hole are shown in Table 7, respectively. Since the Cam Follower is supported in a cantilever position, the mounting hole diameter should be prepared without play between the stud and the hole especially when heavy shock loads are applied.

Table 4 Recommended fit

Model of bearing	Tolerance class of mounting hole for stud
Miniature Type Cam Followers CFS	H6
Standard Type Cam Followers (1)	H7
Inch Series Cam Followers	F7

Note (1) Applicable for Cam Followers other than Miniature Type Cam Followers and Inch Series Cam Followers.

Table 5 Dimensional tolerances of mounting hole

unit:  $\mu\text{m}$

Classification of diameter mm		F7		H6		H7	
Over	Incl.	High	Low	High	Low	High	Low
–	3	+16	+ 6	+ 6	0	+10	0
3	6	+22	+10	+ 8	0	+12	0
6	10	+28	+13	+ 9	0	+15	0
10	18	+34	+16	+11	0	+18	0
18	30	+41	+20	+13	0	+21	0
30	40	+50	+25	+16	0	+25	0
40	50						