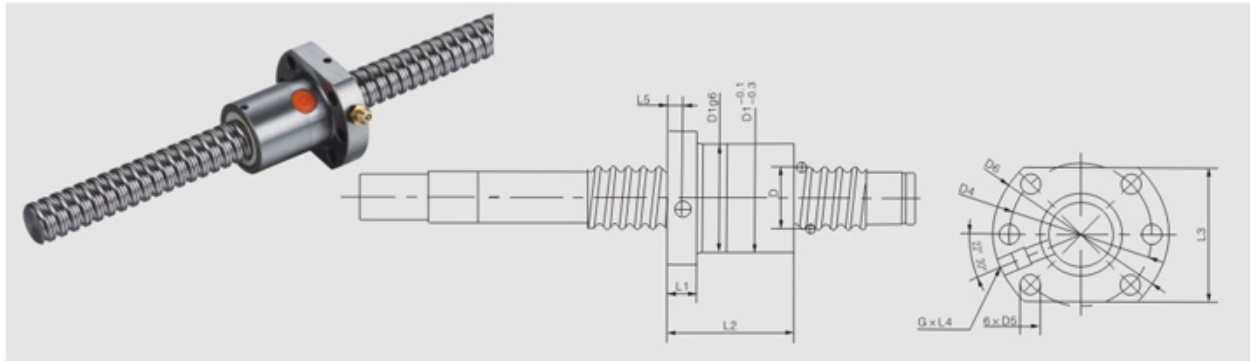




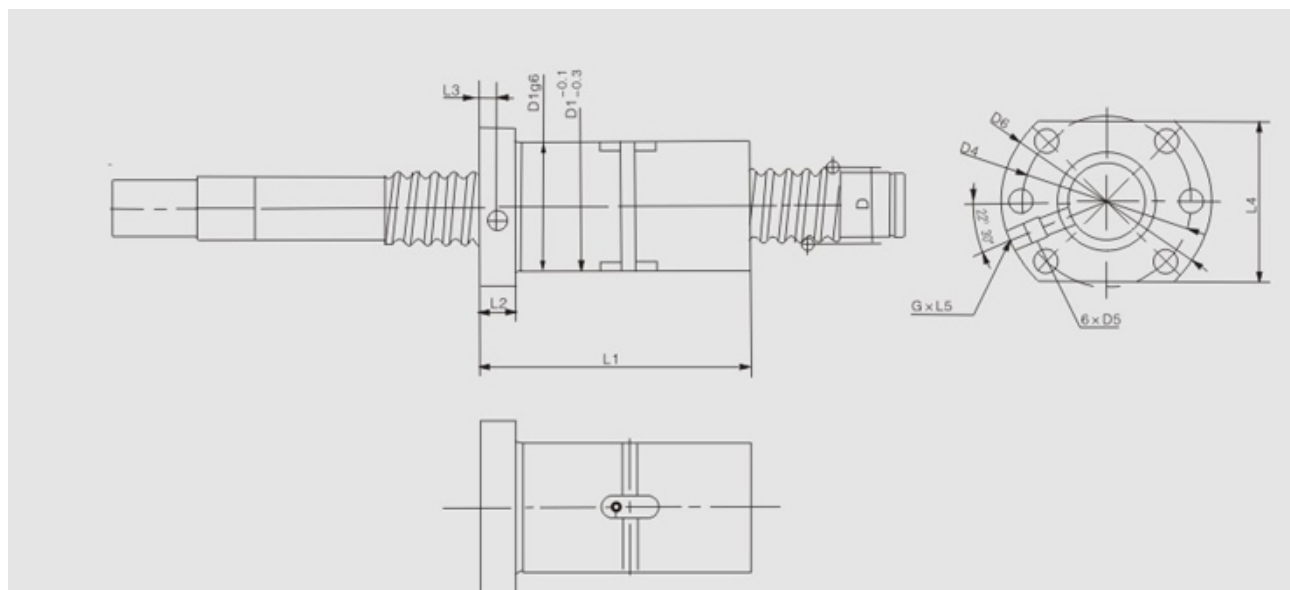
# Ball screws flange nuts



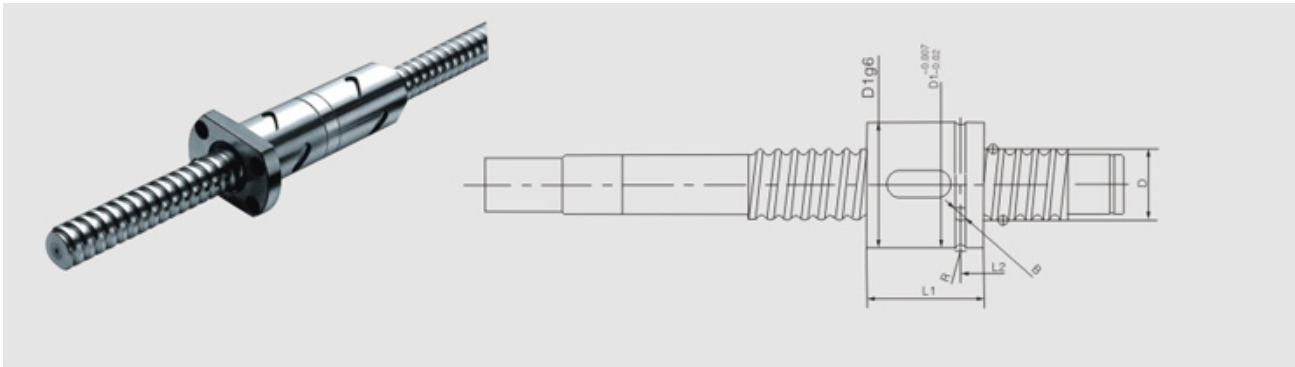
MODEL NO.	Nominal diameter D	lead	D1	D4	D5	D6	L1	L2	L3	L4	L5	Oil hole G	Ball diameter (mm)	Opposing number	Rating load(kgf)	
															Dynamic loadCa	Static loadCo
SF1605-3	16	5	28	38	5.5	48	10	42	40	10	5	M6	φ3.175	3	930	1310
SF1605-4	16	5	28	38	5.5	48	10	50	40	10	5	M6	φ3.175	4	780	1790
SF2005-3	20	5	36	47	6.6	58	10	42	44	10	5	M6	φ3.175	3	1050	1660
SF2005-4	20	5	36	47	6.6	58	10	51	44	10	5	M6	φ3.175	4	1130	2380
SF2505-3	25	5	40	51	6.6	62	10	42	48	10	5	M6	φ3.175	3	1230	2250
SF2505-4	25	5	40	51	6.6	62	10	51	48	10	5	M6	φ3.175	4	1280	3110
SF3205-3	32	5	50	65	9	80	12	42	62	10	6	M8x1	φ3.175	3	1390	3950
SF3205-4	32	5	50	65	9	80	12	52	62	10	6	M6	φ3.175	4	1450	4150
SF3210-4	32	10	50	65	9	80	12	90	62	10	6	M8x1	φ6.35	4	3390	7170

Ball screw precision is C7, Variation per 300mm is less than 0.05, axial play clearance is 0~0.05.

# Long type of ball screws flange nuts

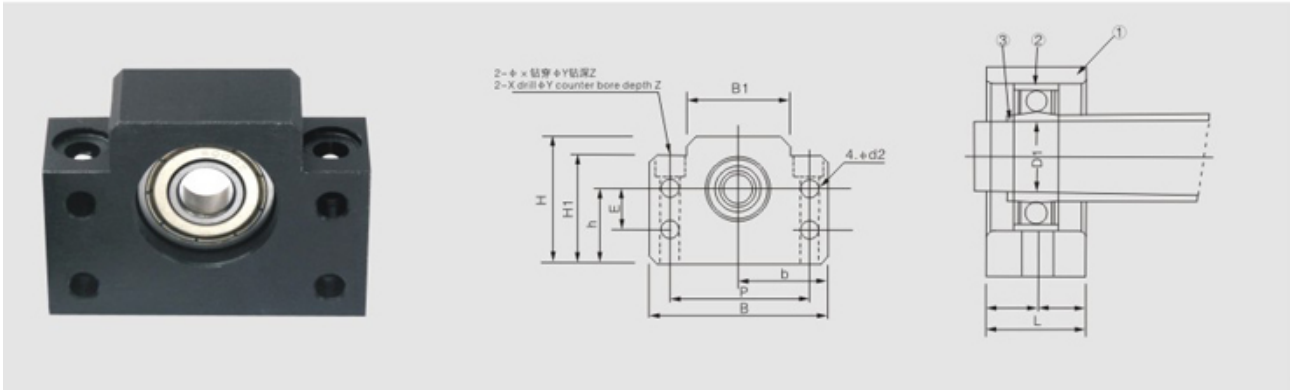


MODEL NO.	Nominal diameter D	lead	D1	D4	D5	D6	L1	L2	L3	L4	L5	Oil hole G	Ball diameter (mm)	Circulation Cycle number
SFM1605-3	16	5	28	38	5.5	48	82	10	5	40	10	M6	φ3.175	3
SFM2005-3	20	5	36	47	6.6	58	82	10	5	44	10	M6	φ3.175	3
SFM2505-3	25	5	40	51	6.6	62	82	10	5	48	10	M6	φ3.175	3
SFM1605-4	16	5	28	38	5.5	48	100	10	5	40	10	M6	φ3.175	4
SFM2005-4	20	5	36	47	6.6	58	101	10	5	44	10	M6	φ3.175	4
SFM2505-4	25	5	40	51	6.6	62	101	10	5	48	10	M6	φ3.175	4

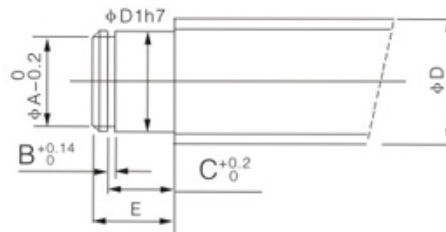


MODEL NO.	Nominal diameter D	Lead	D1	L1	L2	R	B	Ball diameter (mm)	Number of cycles
SM1605-3	16	5	28	34	7	1.5	2.5	Φ3.175	3
SM2005-3	20	5	36	34	7	1.5	2.5	Φ3.175	3
SM2505-3	25	5	40	34	7	1.5	2.5	Φ3.175	3
SM1605-4	16	5	28	42	7	1.5	2.5	Φ3.175	4
SM2005-4	20	5	36	42	7	1.5	2.5	Φ3.175	4
SM2505-4	25	5	40	42	7	1.5	2.5	Φ3.175	4
SM3205-3	32	5	50	34	7	1.5	2.5	Φ3.175	3
SM4005-3	40	5	63	34	7	1.5	2.5	Φ3.175	3
SM3205-4	32	5	50	45	7	1.5	2.5	Φ3.175	4
SM4005-4	40	5	63	45	7	1.5	2.5	Φ3.175	4

Park No.	Park name	Qty
1	Housing	1
2	Bearing	1
3	Holding lid	1



MODEL NO.	SHAFT DIAMETER d1	L	B	H	b	h	B1	H1	E	P	d2	X	Y	Z	BEARING	SNAPRING
					±0.02	±0.02										
BF-12	10	20	60	43	30	25	35	32.5	18	46	5.5	6.6	11	1.5	6000ZZ	S10
BF-15	15	20	70	48	35	28	40	38	18	54	5.5	6.6	11	6.5	6002ZZ	S15
BF-17	17	23	86	64	43	39	50	55	28	68	6.6	9	14	8.5	6203Z	S17
BF-20	20	26	88	60	44	34	52	50	22	70	6.6	9	14	8.5	6004ZZ	S20



MODEL NUMBER BF型	BALL SCREW OUTSIDE DIAMETER D	D1	E	LOCATING SNAP RING			MODEL NUMBER BF型
				A	B	C	
BF-12	Φ14, Φ15, Φ16,	10	11	9.6	1.15	9.15	BF-12
BF-15	Φ18, Φ20	15	13	14.3	1.15	10.15	BF-15
BF-17	Φ20, Φ25	17	16	16.2	1.15	13.15	BF-17
BF-20	Φ25, Φ28	20	16	19.0	1.35	13.35	BF-20



