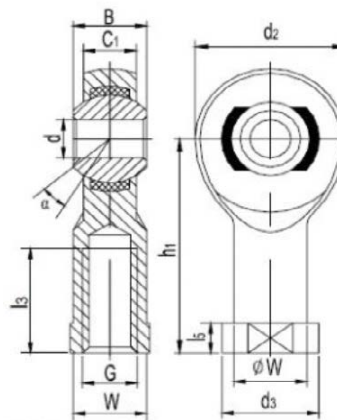


# Metric Loader Slot Rod Ends MXFR and MXMR

3-piece, maintenance-free, metric dimension

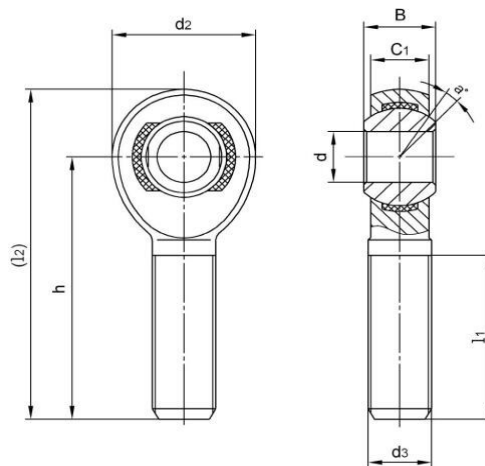


**Ball:**  
GCr15 steel  
heat treated  
hard chrome plated  
ground and polished

**Body:**  
steel alloy  
heat treated  
protective coated for corrosion  
resistance

**Race:**  
nylon or equivalent

| Left Hand | Right Hnad | d<br>+0.065<br>-0.012 | B<br>+0.00<br>-0.13 | C1<br>±0.12 | d2<br>±0.38 | d3<br>Thread<br>6H | h1<br>±0.40 | L3<br>+1.50<br>-0.75 | (L4) | d4<br>±0.25 | W<br>±0.25 | Ball Dia.<br>Ref. | Misalign<br>Angle<br>a° | Load<br>Ratings<br>(N) | Weight<br>≈ kg |
|-----------|------------|-----------------------|---------------------|-------------|-------------|--------------------|-------------|----------------------|------|-------------|------------|-------------------|-------------------------|------------------------|----------------|
| MXFL5     | MXFR5      | 5                     | 8                   | 6           | 18          | M5X0.8             | 27          | 10                   |      | 8.5         | 9          | 11.1              | 10                      | 22311                  | 0.016          |
| MXFL6     | MXFR6      | 6                     | 9                   | 6.75        | 20          | M6X1.0             | 30          | 12                   |      | 10          | 11         | 12.7              | 10                      | 34399                  | 0.022          |
| MXFL8     | MXFR8      | 8                     | 12                  | 9           | 24          | M8X1.25            | 36          | 16                   |      | 12.5        | 14         | 15.88             | 9                       | 41710                  | 0.047          |
| MXFL10    | MXFR10     | 10                    | 14                  | 10.5        | 28          | M10X1.5            | 43          | 20                   |      | 15          | 17         | 19.05             | 9                       | 63442                  | 0.077          |
| MXFL12    | MXFR12     | 12                    | 16                  | 12          | 32          | M12X1.75           | 50          | 22                   |      | 17.5        | 19         | 22.23             | 11                      | 68147                  | 0.100          |
| MXFL14    | MXFR14     | 14                    | 19                  | 13.5        | 36          | M14X2.0            | 57          | 25                   |      | 20          | 22         | 25.4              | 11                      | 90386                  | 0.160          |
| MXFL16    | MXFR16     | 16                    | 21                  | 15          | 42          | M16X2.0            | 64          | 27                   |      | 22          | 22         | 28.58             | 9                       | 97714                  | 0.223          |



**Ball:**  
GCr15 steel  
heat treated  
hard chrome plated  
ground and polished

**Body:**  
steel alloy  
heat treated  
protective coated for corrosion  
resistance

**Race:**  
nylon or equivalent

| Left Hand | Right Hnad | d<br>+0.065<br>-0.012 | B<br>+0.00<br>-0.13 | C1<br>±0.12 | d2<br>±0.38 | d3<br>Thread<br>6H | h<br>±0.40 | L1<br>+1.50<br>-0.75 | (L2) | SW<br>±0.25 | Ball Dia.<br>Ref. | Misalign<br>Angle<br>a° | Load<br>Ratings<br>(N) | Weight<br>≈ kg |
|-----------|------------|-----------------------|---------------------|-------------|-------------|--------------------|------------|----------------------|------|-------------|-------------------|-------------------------|------------------------|----------------|
| MXML5     | MXMR5      | 5                     | 8                   | 6           | 18          | M5X0.8             | 33         | 19                   | 42   | 9           | 11.1              | 13                      | 12848                  | 0.013          |
| MXML6     | MXMR6      | 6                     | 9                   | 6.75        | 20          | M6X1.0             | 36         | 21                   | 46   | 11          | 12.7              | 13                      | 18186                  | 0.019          |
| MXML8     | MXMR8      | 8                     | 12                  | 9           | 24          | M8X1.25            | 42         | 25                   | 54   | 14          | 15.88             | 14                      | 33114                  | 0.038          |
| MXML10    | MXMR10     | 10                    | 14                  | 10.5        | 28          | M10X1.5            | 48         | 28                   | 62   | 17          | 19.05             | 13                      | 52476                  | 0.057          |
| MXML12    | MXMR12     | 12                    | 16                  | 12          | 32          | M12X1.75           | 54         | 32                   | 70   | 19          | 22.23             | 13                      | 68147                  | 0.085          |
| MXML14    | MXMR14     | 14                    | 19                  | 13.5        | 36          | M14X2.0            | 60         | 36                   | 78   | 22          | 25.4              | 16                      | 90386                  | 0.140          |
| MXML16    | MXMR16     | 16                    | 21                  | 15          | 42          | M16X2.0            | 66         | 37                   | 87   | 22          | 28.58             | 15                      | 97714                  | 0.210          |