

Unit No.	Shaft Dia		Dimensions(mm)												Bolt Size (mm)	Weight (kg)
	d		L	J	H	Ho	H1	N	N1	A	A1	B	Z	A3		
	(in)	(mm)														
WP-SSBP204		20	128	96	33.3	67	17	12	22	30	18.9	25	37.2	49.7	M10	0.26
WP-SSBP204-12	0.75		128	96	33.3	67	17	12	22	30	18.9	25	37.2	49.7	M10	0.26
WP-SSBP205		25	140	106	36.5	75	17	12	22	34.5	18.8	27	38.3	51.5	M10	0.33
WP-SSBP205-14	7/8		140	106	36.5	75	17	12	22	34.5	18.8	27	38.3	51.5	M10	0.33
WP-SSBP205-15	15/16		140	106	36.5	75	17	12	22	34.5	18.8	27	38.3	51.5	M10	0.33
WP-SSBP205-16	1		140	106	36.5	75	17	12	22	34.5	18.8	27	38.3	51.5	M10	0.33
WP-SSBP206		30	163	121	42.9	88	22	14	24	36	19.7	30	40.7	55	M12	0.49
WP-SSBP206-17	1-1/16		163	121	42.9	88	22	14	24	36	19.7	30	40.7	55	M12	0.49
WP-SSBP206-18	1-1/8		163	121	42.9	88	22	14	24	36	19.7	30	40.7	55	M12	0.49
WP-SSBP206-19	1-3/16		163	121	42.9	88	22	14	24	36	19.7	30	40.7	55	M12	0.49
WP-SSBP206-20	1-1/4		163	121	42.9	88	22	14	24	36	19.7	30	40.7	55	M12	0.49
WP-SSBP207		35	167	126	47.6	98	20	14	24	38.6	21.3	32	44.6	61	M12	0.64
WP-SSBP207-20	1-1/4		167	126	47.6	98	20	14	24	38.6	21.3	32	44.6	61	M12	0.64
WP-SSBP207-21	1-5/16		167	126	47.6	98	20	14	24	38.6	21.3	32	44.6	61	M12	0.64
WP-SSBP207-22	1-3/8		167	126	47.6	98	20	14	24	38.6	21.3	32	44.6	61	M12	0.64
WP-SSBP207-23	1-7/16		167	126	47.6	98	20	14	24	38.6	21.3	32	44.6	61	M12	0.64
WP-SSBP208		40	185	136	50	102	20	14	24	38.6	25	34	50.3	66.5	M12	0.86
WP-SSBP208-24	1-1/2		185	136	50	102	20	14	24	38.6	25	34	50.3	66.5	M12	0.86
WP-SSBP208-25	37/160		185	136	50	102	20	14	24	38.6	25	34	50.3	66.5	M12	0.86

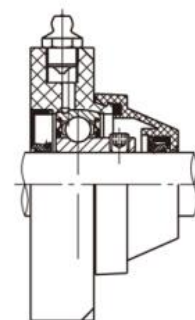
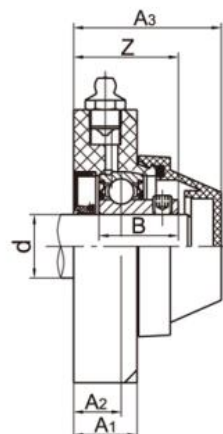
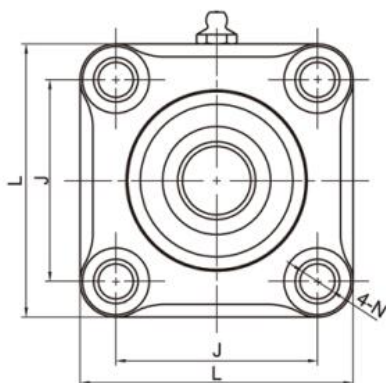
Notes 1: Anti_Bacteria Protection Series ia available by adding prefix "AB" as designation. Ordering example: ABWP-SSBP204.

Notes 2: Solid base housing is available WHITE,BLACK,GREEN or other specified color.

MODE OF LOAD	BREAKING POINT OF HOUSINGS(N)				
	204	205	206	207	208
	6473	6290	5775	5817	6913
	6671	6681	6761	6811	6911
	2569	2621	2650	2790	3291



Water-Proof thermoplastic housed units,4-bolt flange



Unit No.	Shaft Dia		Dimensions(mm)								Bolt Size (mm)	Weight (kg)
	d		H	J	A2	A1	N	B	Z	A3		
	(in)	(mm)										
WP-SSBFL204		20	86	63.5	15	22.5	11	25	36.3	49.5	M10	0.36
WP-SSBFL204-12	0.75		86	63.5	15	22.5	11	25	36.3	49.5	M10	0.36
WP-SSBFL205		25	98	70	16.8	22.5	11	27	36.3	49.5	M10	0.38
WP-SSBFL205-14	7/8		98	70	16.8	22.5	11	27	36.3	49.5	M10	0.38
WP-SSBFL205-15	15/16		98	70	16.8	22.5	11	27	36.3	49.5	M10	0.38
WP-SSBFL205-16	1		98	70	16.8	22.5	11	27	36.3	49.5	M10	0.38
WP-SSBFL206		30	110	83	20	26	11	30	41	55	M10	0.56
WP-SSBFL206-17	1-1/16		110	83	20	26	11	30	41	55	M10	0.56
WP-SSBFL206-18	1-1/8		110	83	20	26	11	30	41	55	M10	0.56
WP-SSBFL206-19	1-3/16		110	83	20	26	11	30	41	55	M10	0.56
WP-SSBFL206-20	1-1/4		110	83	20	26	11	30	41	55	M10	0.56
WP-SSBFL207		35	120	92	19.5	26	11	32	45	59	M10	0.77
WP-SSBFL207-20	1-1/4		120	92	19.5	26	11	32	45	59	M10	0.77
WP-SSBFL207-21	1-5/16		120	92	19.5	26	11	32	45	59	M10	0.77
WP-SSBFL207-22	1-3/8		120	92	19.5	26	11	32	45	59	M10	0.77
WP-SSBFL207-23	1-7/16		120	92	19.5	26	11	32	45	59	M10	0.77
WP-SSBFL208		40	131	102	22	30	11	34	47.5	65.5	M10	0.99
WP-SSBFL208-24	1-1/2		131	102	22	30	11	34	47.5	65.5	M10	0.99
WP-SSBFL208-25	37/150		131	102	22	30	11	34	47.5	65.5	M10	0.99

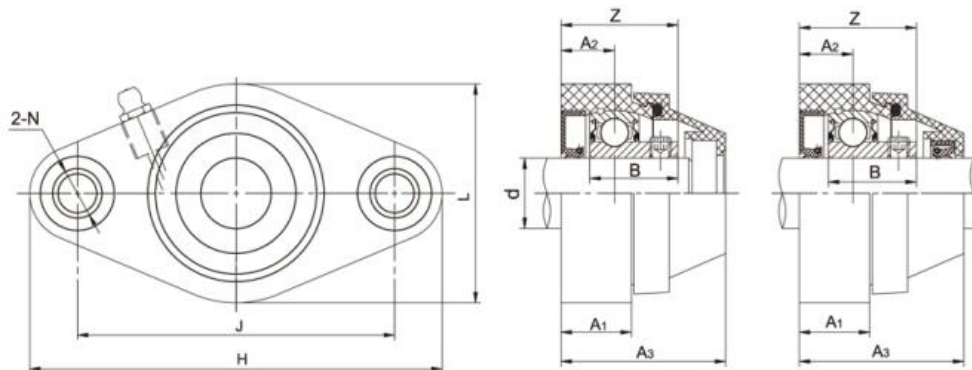
Notes 1: Anti_Bacteria Protection Series ia available by adding prefix "AB" as designation. Ordering example: ABWP-SSBFL204.

Notes 2: Solid base housing is available WHITE,BLACK,GREEN or other specified color.

MODE OF LOAD	BREAKING POINT OF HOUSINGS(N)				
	204	205	206	207	208
	17091	20142	20932	21690	22707
	8820	10350	16020	16560	16740
	2533	3329	3922	4100	4230



Water-Proof thermoplastic housed units,2-bolt flange



Unit No.	Shaft Dia		Dimensions(mm)									Bolt Size (mm)	Weight (kg)
	d		H	J	A2	A1	N	L	B	Z	A3		
	(in)	(mm)											
WP-SSBFL204		20	117	90	15.2	20	11	62	25	33.5	46	M10	0.09
WP-SSBFL204-12	0.75		117	90	15.2	20	11	62	25	33.5	46	M10	0.09
WP-SSBFL205		25	131	99	16.8	22.5	11	71	27	36.3	49.5	M10	0.14
WP-SSBFL205-14	7/8		131	99	16.8	22.5	11	71	27	36.3	49.5	M10	0.14
WP-SSBFL205-15	15/16		131	99	16.8	22.5	11	71	27	36.3	49.5	M10	0.14
WP-SSBFL205-16	1		131	99	16.8	22.5	11	71	27	36.3	49.5	M10	0.14
WP-SSBFL206		30	149	118	20	26	11	85	30	42	55	M10	0.21
WP-SSBFL206-17	1-1/16		149	118	20	26	11	85	30	42	55	M10	0.21
WP-SSBFL206-18	1-1/8		149	118	20	26	11	85	30	42	55	M10	0.21
WP-SSBFL206-19	1-3/16		149	118	20	26	11	85	30	42	55	M10	0.21
WP-SSBFL206-20	1-1/4		149	118	20	26	11	85	30	42	55	M10	0.21
WP-SSBFL207		35	163	130	19.5	26	11	93	32	43	59	M10	0.21
WP-SSBFL207-20	1-1/4		163	130	19.5	26	11	93	32	43	59	M10	0.21
WP-SSBFL207-21	1-5/16		163	130	19.5	26	11	93	32	43	59	M10	0.21
WP-SSBFL207-22	1-3/8		163	130	19.5	26	11	93	32	43	59	M10	0.21
WP-SSBFL207-23	1-7/16		163	130	19.5	26	11	93	32	43	59	M10	0.21
WP-SSBFL208		40	177	144	23	30	11	102	34	48	65.5	M10	0.24
WP-SSBFL208-24	1-1/2		177	144	23	30	11	102	34	48	65.5	M10	0.24
WP-SSBFL208-25	37150		177	144	23	30	11	102	34	48	65.5	M10	0.24

Notes 1: Anti_Bacteria Protection Series ia available by adding prefix "AB" as designation. Ordering example: ABWP-SSFL204.

Notes 2: Solid base housing is available WHITE,BLACK,GREEN or other specified color.

MODE OF LOAD	BREAKING POINT OF HOUSINGS(N)				
	204	205	206	207	208
	8756	8943	10132	10234	14000
	8733	15811	15823	16211	16233
	2384	3876	4001	4501	5079



- a, Setscrew, Eccentric locking collar and concentric locking collar shaft locking.
- b, Housing solid base design: ideal for sanification
- c. Material:
 - C1. Housing in reinforced plastic polymer (PBT/PA/PP) with anti-bacteria protection additive which is effective against most of common bacterial that may grow in foodstuff like E-coli, Salmonella etc.
 - C2. Protection caps is reinforced PP polymer with anti-bacteria protection additive which is effective against most of common bacterial that may grow in foodstuff like E-coli, Salmonella etc.
 - C3. Seal and O-ring in NBR rubber. On request supplied in Viton rubber. Viton material offers high resistance to chemical agents.
 - C4. Grease nipple in stainless steel AISI 304.
 - C5. Seamless bushing on mounting holes in stainless steel AISI 304.
 - C6. Ordering example:
 - Anti-bacteria protection plastic housing with stainless steel insert bearings: ABTP-SUCP205
 - Anti-bacteria protection plastic housing with chrome steel insert bearings: ABWP-SBP205

Standard Thermoplastic Mounted Units with Anti-Bacteria Protection

Housing No.	Unit No.			
	W/SS insert set screw type		W/SS insert eccentric locking type	
ABTP-P204-212	ABTP-SUCP204-212	ABTP-SSBP204-212	ABTP-SSAP204-212	ABTP-SNAP204-212
ABTP-FL204-212	ABTP-SUCFL204-212	ABTP-SSBFL204-212	ABTP-SSAFL204-212	ABTP-SNAFL204-212
ABTP-F204-212	ABTP-SUCF204-212	ABTP-SSBF204-212	ABTP-SSAF204-212	ABTP-SNAF204-212
ABTP-PA204-210	ABTP-SUCPA204-210	ABTP-SSBPA204-210	ABTP-SSAPA204-210	ABTP-SNAPA204-210
ABTP-T204-210	ABTP-SUCT204-210	ABTP-SSBT204-210	ABTP-SSAT204-210	ABTP-SNAT204-210
ABTP-FB204-210	ABTP-SUCFB204-210	ABTP-SSBFB204-210	ABTP-SSAFB204-210	ABTP-SNAFB204-210

Stainless steel insert bearings with concentric locking collar (SUE) are also available upon request. Example: ABTP-SUEP204.

Water-Proof Mounted Units with Anti-Bacteria Protection:

Housing No.	Unit No.
ABWP-P204-212	ABWP-SSBP204-212
ABWP-FL204-212	ABWP-SSBFL204-212
ABWP-F204-212	ABWP-SSBF204-212



Water-Proof Thermoplastic Housed Units

Accessories: End-Covers, Back seal



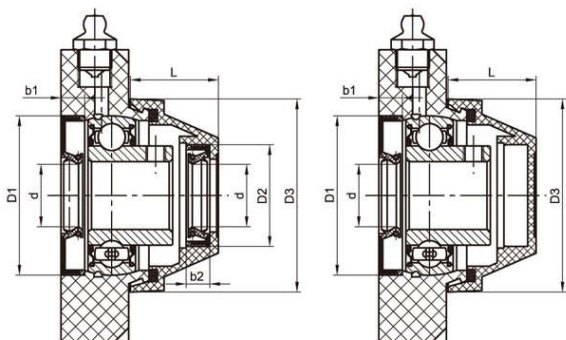
WP-BS



WP-CC

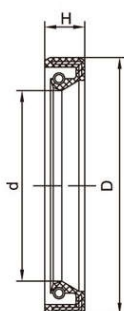


WP-OC



Water-Proof Plastic Covers: Open/Close Type (OC / CC)

Shaft diameter		Dimensions(mm)					
D		D ₁	b ₁	D ₂	b ₂	D ₃	L
mm	inch						
20	3/4	47	7	30	7	56.7	26
25	13/16 14/16 15/16 1	52	7	35	7	67.7	28
30	1-1/16 1-1/8 1-3/16 1-1/4	62	7	40	7	78.7	29
35	1-1/4 1-5/16 1-3/8 1-7/16	72	7	45	7	88.7	33
40	1-1/2 1-9/16	80	7	50	7	96.7	35



BACK SEAL

SIZE	DIM	Dimensions(mm)		
	D	d	H	
WP-P204	20	47	7	
WP-P205	25	52	7	
WP-P206	30	62	7	
WP-P207	35	72	7	
WP-P208	40	80	7	

Notes: Anti-Bacteria Protection Series is available by adding prefix "AB" as designation. Ordering example: ABWP-OC205