

C&H Thermoplastic housings are specially designed to meet particular engineering demand for food ,beverage photo, and the chemical industries. The maintenance and the corrosion resistance characteristics as well as a low weight element has proven to stand the hard working conditions for all needed application.

C&H Thermoplastic housings can be delivered with black oxidized chrome steel insert bearings inserts or stainless steel inserts for maximum corrosion resistance.

C&H Thermoplastic housings are designed to meet important engineering demand for:

- Frequent washdowns
- Corrosion resistance
- Exposure to harsh chemicals
- Exposure to high humidity
- Regreasable fittings
- Operating temperature -35°C to 102°C



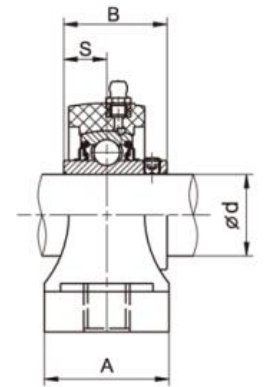
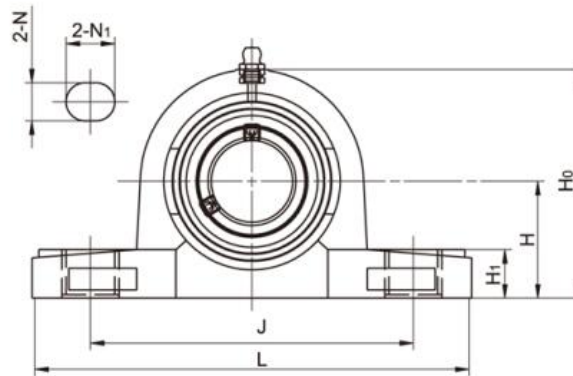
C&H thermoplastic housings can be delivered with food approved grease to any specification. Please contact your local distributor for your grease specification requirement.

Because of their corrosion-resistant and non-magnetic properties. C&H thermoplastic housings are used in a wide variety of industries:

- Food processing
- Canning
- Bottling
- Pharmacy industry
- Chemical processing
- Photo industry



Solid base housing, Stainless steel inserts, With food grade grease and Silicon rubber seal

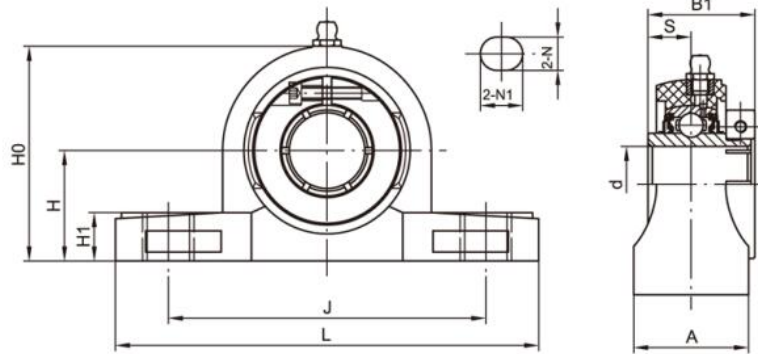


Unit No.	Shaft Dia		Dimensions(mm)										Bolt Size (mm)	Weight (kg)
	d		H	L	J	A	N	N1	H1	Ho	B1	S		
	(in)	(mm)												
TP-SUCP201		12	33.3	127	95	38	11	14	15	65.5	31	12.7	M10	0.29
TP-SUCP201-8	1/2		33.3	127	95	38	11	14	15	65.5	31	12.7	M10	0.29
TP-SUCP202		15	33.3	127	95	38	11	14	15	65.5	31	12.7	M10	0.29
TP-SUCP202-9	9/16		33.3	127	95	38	11	14	15	65.5	31	12.7	M10	0.29
TP-SUCP202-10	5/8		33.3	127	95	38	11	14	15	65.5	31	12.7	M10	0.29
TP-SUCP203		17	33.3	127	95	38	11	14	15	65.5	31	12.7	M10	0.29
TP-SUCP203-11	11/16		33.3	127	95	38	11	14	15	65.5	31	12.7	M10	0.29
TP-SUEP204		20	33.3	127	95	38	11	14	15	65.5	31	12.7	M10	0.29
TP-SUEP204-12	3/4		33.3	127	95	38	11	14	15	65.5	31	12.7	M10	0.29
TP-SUEP205		25	36.5	140	105	38	11	14	16	71	34.1	14.3	M10	0.32
TP-SUEP205-14	7/8		36.5	140	105	38	11	14	16	71	34.1	14.3	M10	0.32
TP-SUEP205-15	15/16		36.5	140	105	38	11	14	16	71	34.1	14.3	M10	0.32
TP-SUEP205-16	1		36.5	140	105	38	11	14	16	71	34.1	14.3	M10	0.32
TP-SUEP206		30	42.9	163	119	46	14	18	18	84	38.1	15.9	M12	0.58
TP-SUEP206-17	1-1/16		42.9	163	119	46	14	18	18	84	38.1	15.9	M12	0.58
TP-SUEP206-18	1-1/8		42.9	163	119	46	14	18	18	84	38.1	15.9	M12	0.58
TP-SUEP206-19	1-3/16		42.9	163	119	46	14	18	18	84	38.1	15.9	M12	0.58
TP-SUEP206-20	1-1/4		42.9	163	119	46	14	18	18	84	38.1	15.9	M12	0.58
TP-SUEP207		35	47.6	168	127	48	14	18	18	94.5	42.9	17.5	M12	0.76
TP-SUEP207-20	1-1/4		47.6	168	127	48	14	18	18	94.5	42.9	17.5	M12	0.76
TP-SUEP207-21	1-5/16		47.6	168	127	48	14	18	18	94.5	42.9	17.5	M12	0.76
TP-SUEP207-22	1-3/8		47.6	168	127	48	14	18	18	94.5	42.9	17.5	M12	0.76
TP-SUEP207-23	1-7/16		47.6	168	127	48	14	18	18	94.5	42.9	17.5	M12	0.76
TP-SUEP208		40	49.2	184	137	54	14	18	19.5	99	49.2	19	M12	0.97
TP-SUEP208-24	1-1/2		49.2	184	137	54	14	18	19.5	99	49.2	19	M12	0.97
TP-SUEP208-25	37150		49.2	184	137	54	14	18	19.5	99	49.2	19	M12	0.97
TP-SUEP209		45	54	192	146	54	17	20	23	106	49.2	19	M16	1.08
TP-SUEP209-26	1-5/8		54	192	146	54	17	20	23	106	49.2	19	M16	1.08
TP-SUEP209-27	1-11/16		54	192	146	54	17	20	23	106	49.2	19	M16	1.08
TP-SUEP209-28	1-3/4		54	192	146	54	17	20	23	106	49.2	19	M16	1.08
TP-SUEP210		50	57.2	206	159	60	17	20	24	114	51.6	19	M16	1.24
TP-SUEP210-30	1-7/8		57.2	206	159	60	17	20	24	114	51.6	19	M16	1.24
TP-SUEP210-31	1-15/16		57.2	206	159	60	17	20	24	114	51.6	19	M16	1.24
TP-SUEP210-32	2		57.2	206	159	60	17	20	24	114	51.6	19	M16	1.24
TP-SUEP211		55	63.5	217	172	60	17	20	22	124	55.6	22.2	M16	1.6
TP-SUEP211-32	2		63.5	217	172	60	17	20	22	124	55.6	22.2	M16	1.6
TP-SUEP211-34	2-1/8		63.5	217	172	60	17	20	22	124	55.6	22.2	M16	1.6
TP-SUEP211-35	2-3/16		63.5	217	172	60	17	20	22	124	55.6	22.2	M16	1.6
TP-SUEP212		60	69.9	238	186	66	18	24	24	137	65.1	25.4	M16	2.4
TP-SUEP212-36	2-1/4		69.9	238	186	66	18	24	24	137	65.1	25.4	M16	2.4
TP-SUEP212-38	2-3/8		69.9	238	186	66	18	24	24	137	65.1	25.4	M16	2.4
TP-SUEP212-39	2-7/16		69.9	238	186	66	18	24	24	137	65.1	25.4	M16	2.4

Anti-Bacterial Protection Series is available by adding suffix "AB" as designation. Ordering example ABTP-SUCP204

Solid base housing is available WHITE,BLACK,GREEN or other specified color.

Solid base housing, Stainless steel inserts, With food grade grease and silicon rubber seal



Unit No.	Shaft Dia		Dimensions(mm)										Bolt Size (mm)	Weight (kg)
	d		H	L	J	A	N	N1	H1	Ho	B1	S		
	(in)	(mm)												
TP-SUEP204		20	33.3	127	95	38	11	14	15	65.5	33	12.7	M10	0.13
TP-SUEP204-12	0.75		33.3	127	95	38	11	14	15	65.5	33	12.7	M10	0.13
TP-SUEP205		25	36.5	140	105	38	11	14	16	71		14.3	M10	0.14
TP-SUEP205-14	7/8		36.5	140	105	38	11	14	16	71		14.3	M10	0.14
TP-SUEP205-15	15/16		36.5	140	105	38	11	14	16	71		14.3	M10	0.14
TP-SUEP205-16	1		36.5	140	105	38	11	14	16	71		14.3	M10	0.14
TP-SUEP206		30	42.9	163	119	46	14	18	18	84	39.8	15.9	M12	0.25
TP-SUEP206-17	1-1/16		42.9	163	119	46	14	18	18	84	39.8	15.9	M12	0.25
TP-SUEP206-18	1-1/8		42.9	163	119	46	14	18	18	84	39.8	15.9	M12	0.25
TP-SUEP206-19	1-3/16		42.9	163	119	46	14	18	18	84	39.8	15.9	M12	0.25
TP-SUEP206-20	1-1/4		42.9	163	119	46	14	18	18	84	39.8	15.9	M12	0.25
TP-SUEP207		35	47.6	168	127	48	14	18	18	94.5	43.9	17.5	M12	0.29
TP-SUEP207-20	1-1/4		47.6	168	127	48	14	18	18	94.5	43.9	17.5	M12	0.29
TP-SUEP207-21	1-5/16		47.6	168	127	48	14	18	18	94.5	43.9	17.5	M12	0.29
TP-SUEP207-22	1-3/8		47.6	168	127	48	14	18	18	94.5	43.9	17.5	M12	0.29
TP-SUEP207-23	1-7/16		47.6	168	127	48	14	18	18	94.5	43.9	17.5	M12	0.29
TP-SUEP208		40	49.2	184	137	54	14	18	19.5	99	50.2	19	M12	0.34
TP-SUEP208-24	1-1/2		49.2	184	137	54	14	18	19.5	99	50.2	19	M12	0.34
TP-SUEP208-25	37/150		49.2	184	137	54	14	18	19.5	99	50.2	19	M12	0.34
TP-SUEP209		45	54	192	146	54	17	20	23	106	50.2	19	M16	0.38
TP-SUEP209-26	1-5/8		54	192	146	54	17	20	23	106	50.2	19	M16	0.38
TP-SUEP209-27	1-11/16		54	192	146	54	17	20	23	106	50.2	19	M16	0.38
TP-SUEP209-28	1-3/4		54	192	146	54	17	20	23	106	50.2	19	M16	0.38
TP-SUEP210		50	57.2	206	159	60	17	20	24	114		19	M16	0.46
TP-SUEP210-30	1-7/8		57.2	206	159	60	17	20	24	114		19	M16	0.46
TP-SUEP210-31	1-15/16		57.2	206	159	60	17	20	24	114		19	M16	0.46
TP-SUEP210-32	2		57.2	206	159	60	17	20	24	114		19	M16	0.46
TP-SUEP211		55	63.5	217	172	60	17	20	22	124	56.6	22.2	M16	0.53
TP-SUEP211-32	2		63.5	217	172	60	17	20	22	124	56.6	22.2	M16	0.53
TP-SUEP211-34	2-1/8		63.5	217	172	60	17	20	22	124	56.6	22.2	M16	0.53
TP-SUEP211-35	2-3/16		63.5	217	172	60	17	20	22	124	56.6	22.2	M16	0.53
TP-SUEP212		60	69.9	238	186	66	18	24	24	137	66.6	25.4	M16	0.72
TP-SUEP212-36	2-1/4		69.9	238	186	66	18	24	24	137	66.6	25.4	M16	0.72
TP-SUEP212-38	2-3/8		69.9	238	186	66	18	24	24	137	66.6	25.4	M16	0.72
TP-SUEP212-39	2-7/16		69.9	238	186	66	18	24	24	137	66.6	25.4	M16	0.72

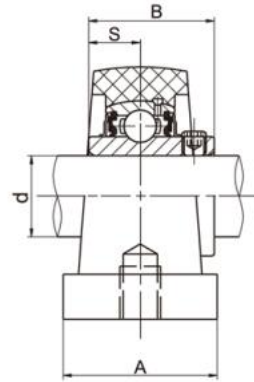
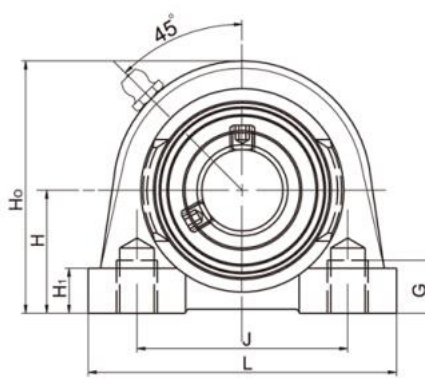
MODE OF LOAD	BREAKING POINT OF HOUSINGS(N)									
	204	205	206	207	208	209	210	211	212	
	8800	13700	12650	12750	13100	13360	13850	14450	20130	
	7700	10000	10600	12750	11100	11400	11750	12450	13110	
	5000	5100	5750	7500	8500	8950	9550	10150	10700	

Anti-Bacterial Protection Series is available by adding suffix "AB" as designation. Ordering example ABTP-SUEP204
 Solid base housing is available WHITE,BLACK,GREEN or other specified color.

Tapped Base Thermoplastic Pillow Blocks - Setscrew Locking



Stainless steel inserts, With food grade grease and Silicon rubber seal



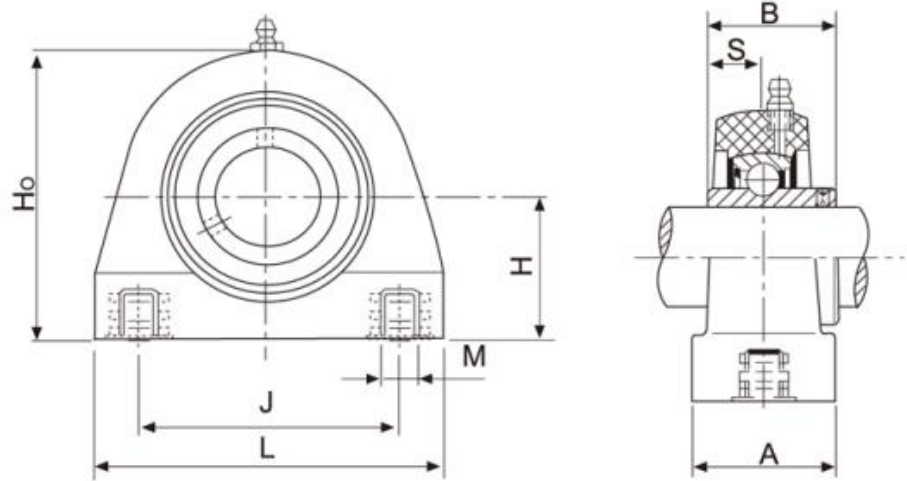
Unit No.	Shaft Dia		Dimensions(mm)									Bolt Size (mm)	Weight (kg)
	d		H	L	J	A	Ho	G	H1	B	S		
	(in)	(mm)											
TP-SUCPA201		12	33.3	76	52	38	64	10	13	31	12.7	M8	0.26
TP-SUCPA201-8	1/2		33.3	76	52	38	64	10	13	31	12.7	M8	0.26
TP-SUCPA202		15	33.3	76	52	38	64	10	13	31	12.7	M8	0.26
TP-SUCPA202-9	9/16		33.3	76	52	38	64	10	13	31	12.7	M8	0.26
TP-SUCPA202-10	5/8		33.3	76	52	38	64	10	13	31	12.7	M8	0.26
TP-SUCPA203		17	33.3	76	52	38	64	10	13	31	12.7	M8	0.26
TP-SUCPA203-11	11/16		33.3	76	52	38	64	10	13	31	12.7	M8	0.26
TP-SUCPA204		20	33.3	76	52	38	64	10	13	31	12.7	M8	0.26
TP-SUCPA204-12	3/4		33.3	76	52	38	64	10	13	31	12.7	M8	0.26
TP-SUCPA205		25	36.5	84	56	38	72	12	14	34.1	14.3	M10	0.32
TP-SUCPA205-14	7/8		36.5	84	56	38	72	12	14	34.1	14.3	M10	0.32
TP-SUCPA205-15	15/16		36.5	84	56	38	72	12	14	34.1	14.3	M10	0.32
TP-SUCPA205-16	1		36.5	84	56	38	72	12	14	34.1	14.3	M10	0.32
TP-SUCPA206		30	42.9	95	66	48	84	12	16	38.1	15.9	M10	0.53
TP-SUCPA206-17	1-1/16		42.9	95	66	48	84	12	16	38.1	15.9	M10	0.53
TP-SUCPA206-18	1-1/8		42.9	95	66	48	84	12	16	38.1	15.9	M10	0.53
TP-SUCPA206-19	1-3/16		42.9	95	66	48	84	12	16	38.1	15.9	M10	0.53
TP-SUCPA206-20	1-1/4		42.9	95	66	48	84	12	16	38.1	15.9	M10	0.53
TP-SUCPA207		35	47.6	110	80	48	95	12	18	42.9	17.5	M10	0.73
TP-SUCPA207-20	1-1/4		47.6	110	80	48	95	12	18	42.9	17.5	M10	0.73
TP-SUCPA207-21	1-5/16		47.6	110	80	48	95	12	18	42.9	17.5	M10	0.73
TP-SUCPA207-22	1-3/8		47.6	110	80	48	95	12	18	42.9	17.5	M10	0.73
TP-SUCPA207-23	1-7/16		47.6	110	80	48	95	12	18	42.9	17.5	M10	0.73
TP-SUCPA208		40	49.2	116	84	54	100	15	18	49.2	19	M12	0.93
TP-SUCPA208-24	1-1/2		49.2	116	84	54	100	15	18	49.2	19	M12	0.93
TP-SUCPA208-25	37/150		49.2	116	84	54	100	15	18	49.2	19	M12	0.93
TP-SUCPA209		45	54.2	120	90	54	108	15	20	49.2	19	M12	1.06
TP-SUCPA209-26	1-5/8		54.2	120	90	54	108	15	20	49.2	19	M12	1.06
TP-SUCPA209-27	1-11/16		54.2	120	90	54	108	15	20	49.2	19	M12	1.06
TP-SUCPA209-28	1-3/4		54.2	120	90	54	108	15	20	49.2	19	M12	1.06
TP-SUCPA210		50	57.2	130	94	60	116	18	21	51.6	19	M16	1.25
TP-SUCPA210-30	1-7/8		57.2	130	94	60	116	18	21	51.6	19	M16	1.25
TP-SUCPA210-31	1-15/16		57.2	130	94	60	116	18	21	51.6	19	M16	1.25
TP-SUCPA210-32	2		57.2	130	94	60	116	18	21	51.6	19	M16	1.25

MODE OF LOAD	BREAKING POINT OF HOUSINGS(N)						
	204	205	206	207	208	209	210
	8210	8540	10370	12150	12230	12900	13850
	6900	7010	6580	8080	9100	10400	11050
	2980	2850	4950	8160	9800	10710	11360

Anti-Bacterial Protection Series is available by adding suffix "AB" as designation. Ordering example ABTP-SUCPA204

Solid base housing is available WHITE, BLACK, GREEN or other specified color.

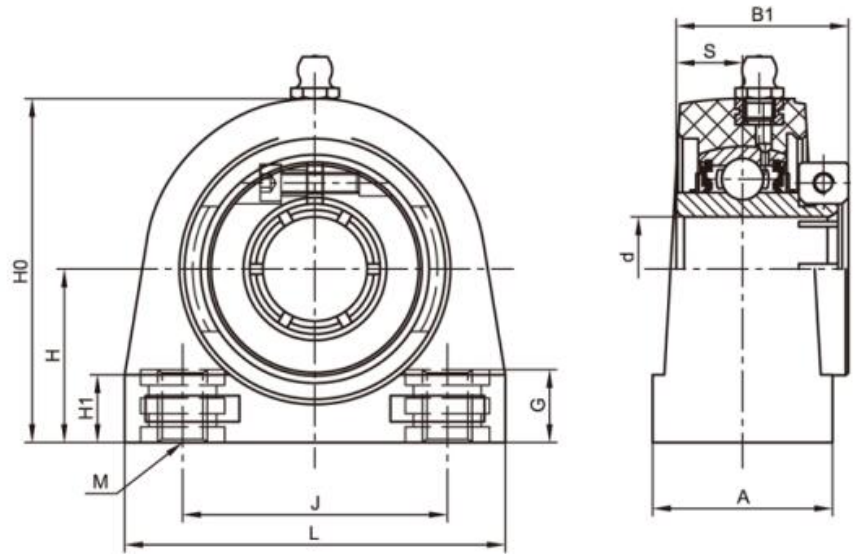
TP-SUCTB-Stainless steel inserts, With food grade grease and Silicon rubber seal



Unit No.	Shaft Dia		Dimensions(mm)								Weight (kg)
	d		H	A	Ho	J	L	M	B	S	
	(in)	(mm)									
TP-SUCTB201		12	33.3	34.5	66	50.8	73	3/8-16	31	12.7	0.26
TP-SUCTB201-8	1/2		33.3	34.5	66	50.8	73	3/8-16	31	12.7	0.26
TP-SUCTB202-9		15	33.3	34.5	66	50.8	73	3/8-16	31	12.7	0.26
TP-SUCTB202	9/16		33.3	34.5	66	50.8	73	3/8-16	31	12.7	0.26
TP-SUCTB202-10	5/8		33.3	34.5	66	50.8	73	3/8-16	31	12.7	0.26
TP-SUCTB203		17	33.3	34.5	66	50.8	73	3/8-16	31	12.7	0.26
TP-SUCTB203-11	11/16		33.3	34.5	66	50.8	73	3/8-16	31	12.7	0.26
TP-SUCTB204-12		20	33.3	34.5	66	50.8	73	3/8-16	31	12.7	0.26
TP-SUCTB204	3/4		33.3	34.5	66	50.8	73	3/8-16	31	12.7	0.26
TP-SUCTB205-14		25	36.5	39.7	73.4	50.8	76.2	3/8-16	34.1	14.3	0.32
TP-SUCTB205-15	7/8		36.5	39.7	73.4	50.8	76.2	3/8-16	34.1	14.3	0.32
TP-SUCTB205	15/16		36.5	39.7	73.4	50.8	76.2	3/8-16	34.1	14.3	0.32
TP-SUCTB205-16	1		36.5	39.7	73.4	50.8	76.2	3/8-16	34.1	14.3	0.32
TP-SUCTB206-17		30	42.9	42.5	84	76.2	101.6	7/16-14	38.1	15.9	0.53
TP-SUCTB206-18	1-1/16		42.9	42.5	84	76.2	101.6	7/16-14	38.1	15.9	0.53
TP-SUCTB206	1-1/8		42.9	42.5	84	76.2	101.6	7/16-14	38.1	15.9	0.53
TP-SUCTB206-19	1-3/16		42.9	42.5	84	76.2	101.6	7/16-14	38.1	15.9	0.53
TP-SUCTB206-20	1-1/4		42.9	42.5	84	76.2	101.6	7/16-14	38.1	15.9	0.53
TP-SUCTB207-20		35	47.6	47.6	95	82.6	111	1/2-13	42.9	17.5	0.73
TP-SUCTB207-21	1-1/4		47.6	47.6	95	82.6	111	1/2-13	42.9	17.5	0.73
TP-SUCTB207-22	1-5/16		47.6	47.6	95	82.6	111	1/2-13	42.9	17.5	0.73
TP-SUCTB207	1-3/8		47.6	47.6	95	82.6	111	1/2-13	42.9	17.5	0.73
TP-SUCTB207-23	1-7/16		47.6	47.6	95	82.6	111	1/2-13	42.9	17.5	0.73
TP-SUCTB208-24		40	49.2	47.6	100.4	88.9	120	1/2-13	49.2	19	0.93
TP-SUCTB208-25	1-1/2		49.2	47.6	100.4	88.9	120	1/2-13	49.2	19	0.93
TP-SUCTB208	37150		49.2	47.6	100.4	88.9	120	1/2-13	49.2	19	0.93
TP-SUCTB209-26		45	54.2	50	108.5	95.3	124	1/2-13	49.2	19	1.06
TP-SUCTB209-27	1-5/8		54.2	50	108.5	95.3	124	1/2-13	49.2	19	1.06
TP-SUCTB209-28	1-11/16		54.2	50	108.5	95.3	124	1/2-13	49.2	19	1.06
TP-SUCTB209	1-3/4		54.2	50	108.5	95.3	124	1/2-13	49.2	19	1.06
TP-SUCTB210-30		50	57.2	54	115	101.6	135	5/8-11	51.6	19	1.25
TP-SUCTB210-31	1-7/8		57.2	54	115	101.6	135	5/8-11	51.6	19	1.25
TP-SUCTB210	1-15/16		57.2	54	115	101.6	135	5/8-11	51.6	19	1.25
TP-SUCTB210-32	2		57.2	54	115	101.6	135	5/8-11	51.6	19	1.25

Anti-Bacterial Protection Series is available by adding suffix "AB" as designation. Ordering example ABTP-SUCTB204
 Solid base housing is available WHITE,BLACK,GREEN or other specified color.

TP-SUETB-Stainless steel inserts, With food grade grease and Silicon rubber seal

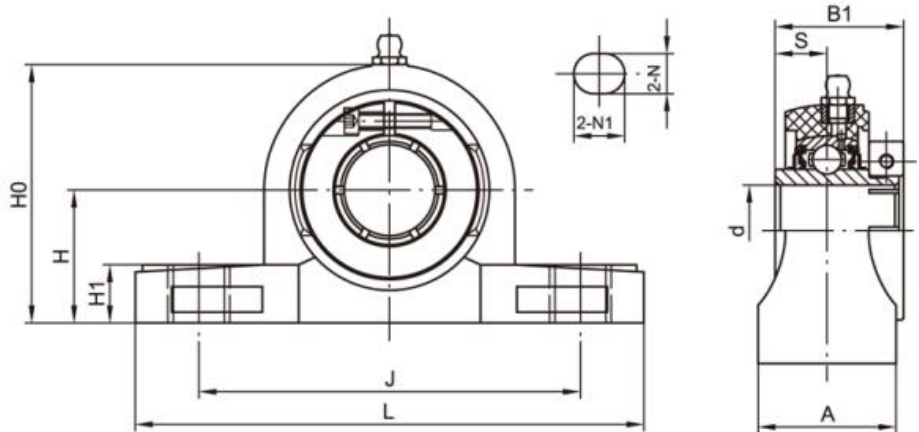


Unit No.	Shaft Dia		Dimensions(mm)										Weight (kg)
	d		H	A	Ho	J	L	M	G	H1	B1	S	
	(in)	(mm)											
TP-SUETB204-12		20	33.3	34.5	66	50.8	73	3/8-16	14	13	33	12.7	0.28
TP-SUETB204	3/4		33.3	34.5	66	50.8	73	3/8-16	14	13	33	12.7	0.28
TP-SUETB205-14		25	36.5	39.7	73.4	50.8	76.2	3/8-16	14	13	35.4	14.3	0.34
TP-SUETB205-15	7/8		36.5	39.7	73.4	50.8	76.2	3/8-16	14	13	35.4	14.3	0.34
TP-SUETB205	15/16		36.5	39.7	73.4	50.8	76.2	3/8-16	14	13	35.4	14.3	0.34
TP-SUETB205-16	1		36.5	39.7	73.4	50.8	76.2	3/8-16	14	13	35.4	14.3	0.34
TP-SUETB206-17		30	42.9	42.5	84	76.2	101.6	7/16-14	14	16	39.8	15.9	0.52
TP-SUETB206-18	1-1/16		42.9	42.5	84	76.2	101.6	7/16-14	14	16	39.8	15.9	0.52
TP-SUETB206	1-1/8		42.9	42.5	84	76.2	101.6	7/16-14	14	16	39.8	15.9	0.52
TP-SUETB206-19	1-3/16		42.9	42.5	84	76.2	101.6	7/16-14	14	16	39.8	15.9	0.52
TP-SUETB206-20	1-1/4		42.9	42.5	84	76.2	101.6	7/16-14	14	16	39.8	15.9	0.52
TP-SUETB207-20		35	47.6	47.6	95	82.6	111	1/2-13	15	16	43.9	17.5	0.75
TP-SUETB207-21	1-1/4		47.6	47.6	95	82.6	111	1/2-13	15	16	43.9	17.5	0.75
TP-SUETB207-22	1-5/16		47.6	47.6	95	82.6	111	1/2-13	15	16	43.9	17.5	0.75
TP-SUETB207	1-3/8		47.6	47.6	95	82.6	111	1/2-13	15	16	43.9	17.5	0.75
TP-SUETB207-23	1-7/16		47.6	47.6	95	82.6	111	1/2-13	15	16	43.9	17.5	0.75
TP-SUETB208-24		40	49.2	47.6	100.4	88.9	120	1/2-13	15	16	50.2	19	0.94
TP-SUETB208-25	1-1/2		49.2	47.6	100.4	88.9	120	1/2-13	15	16	50.2	19	0.94
TP-SUETB208	37150		49.2	47.6	100.4	88.9	120	1/2-13	15	16	50.2	19	0.94
TP-SUETB209-26		45	54.2	50	108.5	95.3	124	1/2-13	15	19	50.2	19	1.11
TP-SUETB209-27	1-5/8		54.2	50	108.5	95.3	124	1/2-13	15	19	50.2	19	1.11
TP-SUETB209-28	1-11/16		54.2	50	108.5	95.3	124	1/2-13	15	19	50.2	19	1.11
TP-SUETB209	1-3/4		54.2	50	108.5	95.3	124	1/2-13	15	19	50.2	19	1.11
TP-SUETB210-30		50	57.2	54	115	101.6	135	5/8-11	18	22	52.6	19	1.26
TP-SUETB210-31	1-7/8		57.2	54	115	101.6	135	5/8-11	18	22	52.6	19	1.26
TP-SUETB210	1-15/16		57.2	54	115	101.6	135	5/8-11	18	22	52.6	19	1.26
TP-SUETB210-32	2		57.2	54	115	101.6	135	5/8-11	18	22	52.6	19	1.26

Anti-Bacterial Protection Series is available by adding suffix "AB" as designation. Ordering example ABTP-SUETB204

Solid base housing is available WHITE, BLACK, GREEN or other specified color.

Stainless steel inserts, With food grade grease and Silicon rubber seal

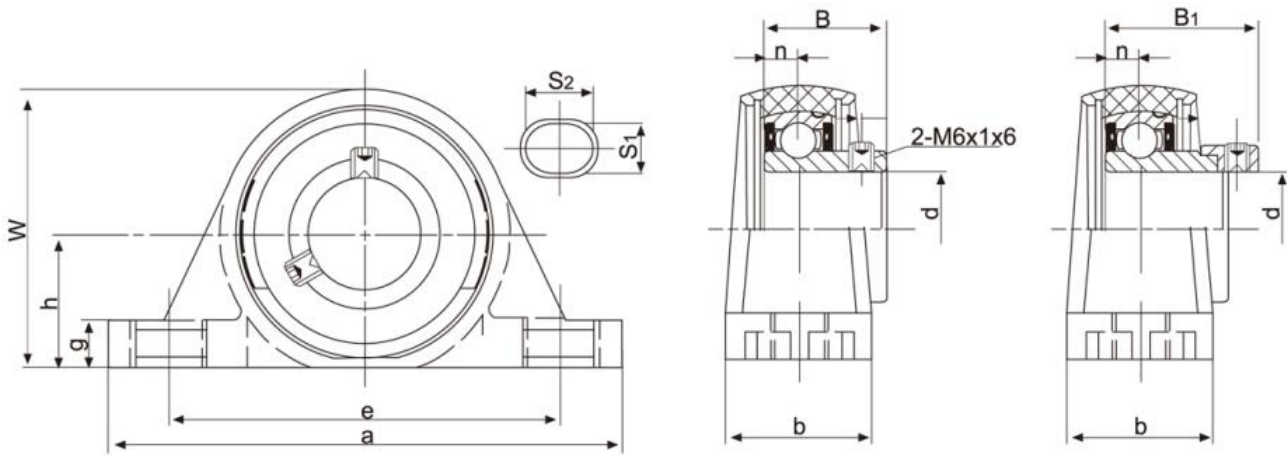


Unit No.	Shaft Dia		Dimensions(mm)									Bolt Size (mm)	Weight (kg)
	d		H	L	J	A	Ho	G	H1	B	S		
	(in)	(mm)											
TP-SUEPA204		20	33.3	76	52	38	64	10	13	33	12.7	M8	0.29
TP-SUEPA204-12	3/4		33.3	76	52	38	64	10	13	33	12.7	M8	0.29
TP-SUEPA205		25	36.5	84	56	38	72	12	14	35.4	14.3	M10	0.33
TP-SUEPA205-14	7/8		36.5	84	56	38	72	12	14	35.4	14.3	M10	0.33
TP-SUEPA205-15	15/16		36.5	84	56	38	72	12	14	35.4	14.3	M10	0.33
TP-SUEPA205-16	1		36.5	84	56	38	72	12	14	35.4	14.3	M10	0.33
TP-SUEPA206		30	42.9	95	66	48	84	12	16	39.8	15.9	M10	0.52
TP-SUEPA206-17	1-1/16		42.9	95	66	48	84	12	16	39.8	15.9	M10	0.52
TP-SUEPA206-18	1-1/8		42.9	95	66	48	84	12	16	39.8	15.9	M10	0.52
TP-SUEPA206-19	1-3/16		42.9	95	66	48	84	12	16	39.8	15.9	M10	0.52
TP-SUEPA206-20	1-1/4		42.9	95	66	48	84	12	16	39.8	15.9	M10	0.52
TP-SUEPA207		35	47.6	110	80	48	95	12	18	43.9	17.5	M10	0.73
TP-SUEPA207-20	1-1/4		47.6	110	80	48	95	12	18	43.9	17.5	M10	0.73
TP-SUEPA207-21	1-5/16		47.6	110	80	48	95	12	18	43.9	17.5	M10	0.73
TP-SUEPA207-22	1-3/8		47.6	110	80	48	95	12	18	43.9	17.5	M10	0.73
TP-SUEPA207-23	1-7/16		47.6	110	80	48	95	12	18	43.9	17.5	M10	0.73
TP-SUEPA208		40	49.2	116	84	54	100	15	18	50.2	19	M12	0.93
TP-SUEPA208-24	1-1/2		49.2	116	84	54	100	15	18	50.2	19	M12	0.93
TP-SUEPA208-25	37150		49.2	116	84	54	100	15	18	50.2	19	M12	0.93
TP-SUEPA209		45	54.2	120	90	54	108	15	20	50.2	19	M12	1.11
TP-SUEPA209-26	1-5/8		54.2	120	90	54	108	15	20	50.2	19	M12	1.11
TP-SUEPA209-27	1-11/16		54.2	120	90	54	108	15	20	50.2	19	M12	1.11
TP-SUEPA209-28	1-3/4		54.2	120	90	54	108	15	20	50.2	19	M12	1.11
TP-SUEPA210		50	57.2	130	94	60	116	18	21	52.6	19	M16	1.28
TP-SUEPA210-30	1-7/8		57.2	130	94	60	116	18	21	52.6	19	M16	1.28
TP-SUEPA210-31	1-15/16		57.2	130	94	60	116	18	21	52.6	19	M16	1.28
TP-SUEPA210-32	2		57.2	130	94	60	116	18	21	52.6	19	M16	1.28

MODE OF LOAD	BREAKING POINT OF HOUSINGS(N)						
	204	205	206	207	208	209	210
	8210	8540	10370	12150	12230	12900	13850
	6900	7010	6580	8080	9100	10400	11050
	2980	2850	4950	8160	9800	10710	11360

Anti-Bacterial Protection Series is available by adding suffix "AB" as designation. Ordering example ABTP-SUEPA204
 Solid base housing is available WHITE, BLACK, GREEN or other specified color.

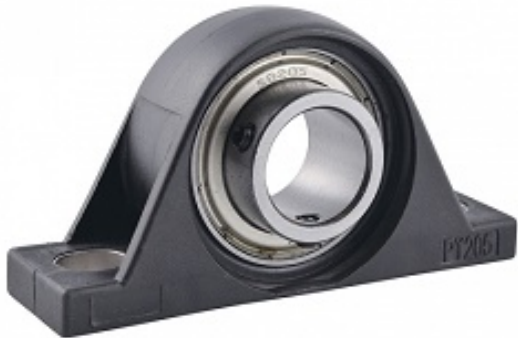
Chrome steel inserts,Narrow inner ring,Setscrew locking



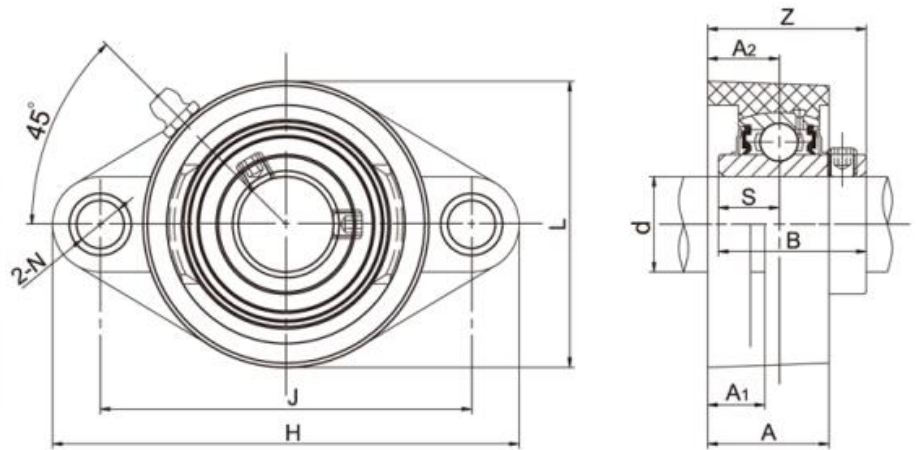
Unit No	Shaft d	Dimensions(mm)									Bolt Size	Housing No.	Bearing No.	Housing Weight (kg)		
		h	a	e	b	S1	S2	g	w	B1					B	n
TP-SBPY205-16	1"	29	114	87	32	11	15	10	61	-	27	7.5	3/8	PY205	SB205-16	0.065
TP-SSBPY205-16	1"	29	114	87	32	11	15	10	61	-	27	7.5	3/8	PY205	SSB205-16	0.065
TP-SAPY205-16	1"	29	114	87	32	11	15	10	61	31.5	-	7.5	3/8	PY205	SA205-16	0.065
TP-SSAPY205-16	1"	29	114	87	32	11	15	10	61	31.5	-	7.5	3/8	PY205	SSA205-16	0.065

Anti-Bacterial Protection Series is available by adding suffix "AB" as designation. Ordering example ABTP-SUCP204

Solid base housing is available WHITE,BLACK,GREEN or other specified color.



Solid base housing, Stainless steel inserts, With food grade grease and Silicon rubber seal

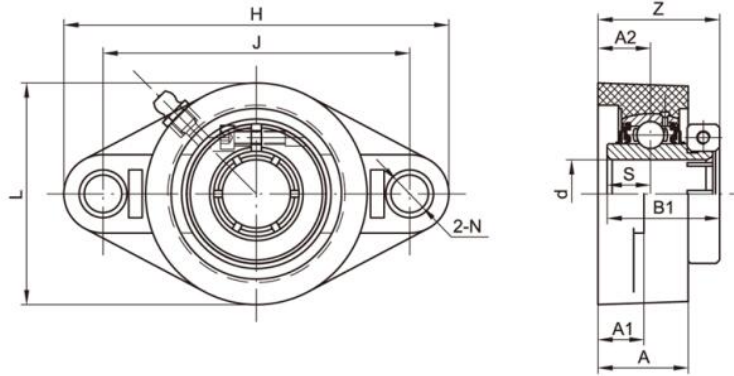


Unit No.	Shaft Dia		Dimensions(mm)										Bolt Size (mm)	Weight (kg)
	d		H	J	A2	A1	A	N	L	B	S	Z		
	(in)	(mm)												
TP-SUCFL201		12	113	90	15.4	14	26.5	11	65	31	12.7	33.7	M10	0.25
TP-SUCFL201-8	1/2		113	90	15.4	14	26.5	11	65	31	12.7	33.7	M10	0.25
TP-SUCFL202		15	113	90	15.4	14	26.5	11	65	31	12.7	33.7	M10	0.25
TP-SUCFL202-9	9/16		113	90	15.4	14	26.5	11	65	31	12.7	33.7	M10	0.25
TP-SUCFL202-10	5/8		113	90	15.4	14	26.5	11	65	31	12.7	33.7	M10	0.25
TP-SUCFL203		17	113	90	15.4	14	26.5	11	65	31	12.7	33.7	M10	0.25
TP-SUCFL203-11	11/16		113	90	15.4	14	26.5	11	65	31	12.7	33.7	M10	0.25
TP-SUCFL204		20	113	90	15.4	14	26.5	11	65	31	12.7	33.7	M10	0.25
TP-SUCFL204-12	3/4		113	90	15.4	14	26.5	11	65	31	12.7	33.7	M10	0.25
TP-SUCFL205		25	131	99	17	14	29	11	69	34.1	14.3	36.7	M10	0.32
TP-SUCFL205-14	7/8		131	99	17	14	29	11	69	34.1	14.3	36.7	M10	0.32
TP-SUCFL205-15	15/16		131	99	17	14	29	11	69	34.1	14.3	36.7	M10	0.32
TP-SUCFL205-16	1		131	99	17	14	29	11	69	34.1	14.3	36.7	M10	0.32
TP-SUCFL206		30	148	117	19	14	31	11	80	38.1	15.9	41.2	M10	0.5
TP-SUCFL206-17	1-1/16		148	117	19	14	31	11	80	38.1	15.9	41.2	M10	0.5
TP-SUCFL206-18	1-1/8		148	117	19	14	31	11	80	38.1	15.9	41.2	M10	0.5
TP-SUCFL206-19	1-3/16		148	117	19	14	31	11	80	38.1	15.9	41.2	M10	0.5
TP-SUCFL206-20	1-1/4		148	117	19	14	31	11	80	38.1	15.9	41.2	M10	0.5
TP-SUCFL207		35	166	130	18	16	32	13	92	42.9	17.5	43.4	M12	0.7
TP-SUCFL207-20	1-1/4		166	130	18	16	32	13	92	42.9	17.5	43.4	M12	0.7
TP-SUCFL207-21	1-5/16		166	130	18	16	32	13	92	42.9	17.5	43.4	M12	0.7
TP-SUCFL207-22	1-3/8		166	130	18	16	32	13	92	42.9	17.5	43.4	M12	0.7
TP-SUCFL207-23	1-7/16		166	130	18	16	32	13	92	42.9	17.5	43.4	M12	0.7
TP-SUCFL208		40	176	144	21.5	20	37.5	14	101	49.2	19	51.7	M12	0.89
TP-SUCFL208-24	1-1/2		176	144	21.5	20	37.5	14	101	49.2	19	51.7	M12	0.89
TP-SUCFL208-25	37150		176	144	21.5	20	37.5	14	101	49.2	19	51.7	M12	0.89
TP-SUCFL209		45	189	148.5	24	21	41	17	108	49.2	19	54.2	M16	1.01
TP-SUCFL209-26	1-5/8		189	148.5	24	21	41	17	108	49.2	19	54.2	M16	1.01
TP-SUCFL209-27	1-11/16		189	148.5	24	21	41	17	108	49.2	19	54.2	M16	1.01
TP-SUCFL209-28	1-3/4		189	148.5	24	21	41	17	108	49.2	19	54.2	M16	1.01
TP-SUCFL210		50	197	157	25	21	43	17	116	51.6	19	57.6	M16	1.13
TP-SUCFL210-30	1-7/8		197	157	25	21	43	17	116	51.6	19	57.6	M16	1.13
TP-SUCFL210-31	1-15/16		197	157	25	21	43	17	116	51.6	19	57.6	M16	1.13
TP-SUCFL210-32	2		197	157	25	21	43	17	116	51.6	19	57.6	M16	1.13
TP-SUCFL211		55	224	184	25	20	43	17	130	55.6	22.2	58.1	M16	1.5
TP-SUCFL211-32	2		224	184	25	20	43	17	130	55.6	22.2	58.1	M16	1.5
TP-SUCFL211-34	2-1/8		224	184	25	20	43	17	130	55.6	22.2	58.1	M16	1.5
TP-SUCFL211-35	2-3/16		224	184	25	20	43	17	130	55.6	22.2	58.1	M16	1.5
TP-SUCFL212		60	250	202	29	20	48	18	140	65.1	25.4	68.7	M16	2.1
TP-SUCFL212-36	2-1/4		250	202	29	20	48	18	140	65.1	25.4	68.7	M16	2.1
TP-SUCFL212-38	2-3/8		250	202	29	20	48	18	140	65.1	25.4	68.7	M16	2.1
TP-SUCFL212-39	2-7/16		250	202	29	20	48	18	140	65.1	25.4	68.7	M16	2.1

Anti-Bacterial Protection Series is available by adding suffix "AB" as designation. Ordering example ABTP-SUCFL204

Solid base housing is available WHITE,BLACK,GREEN or other specified color.

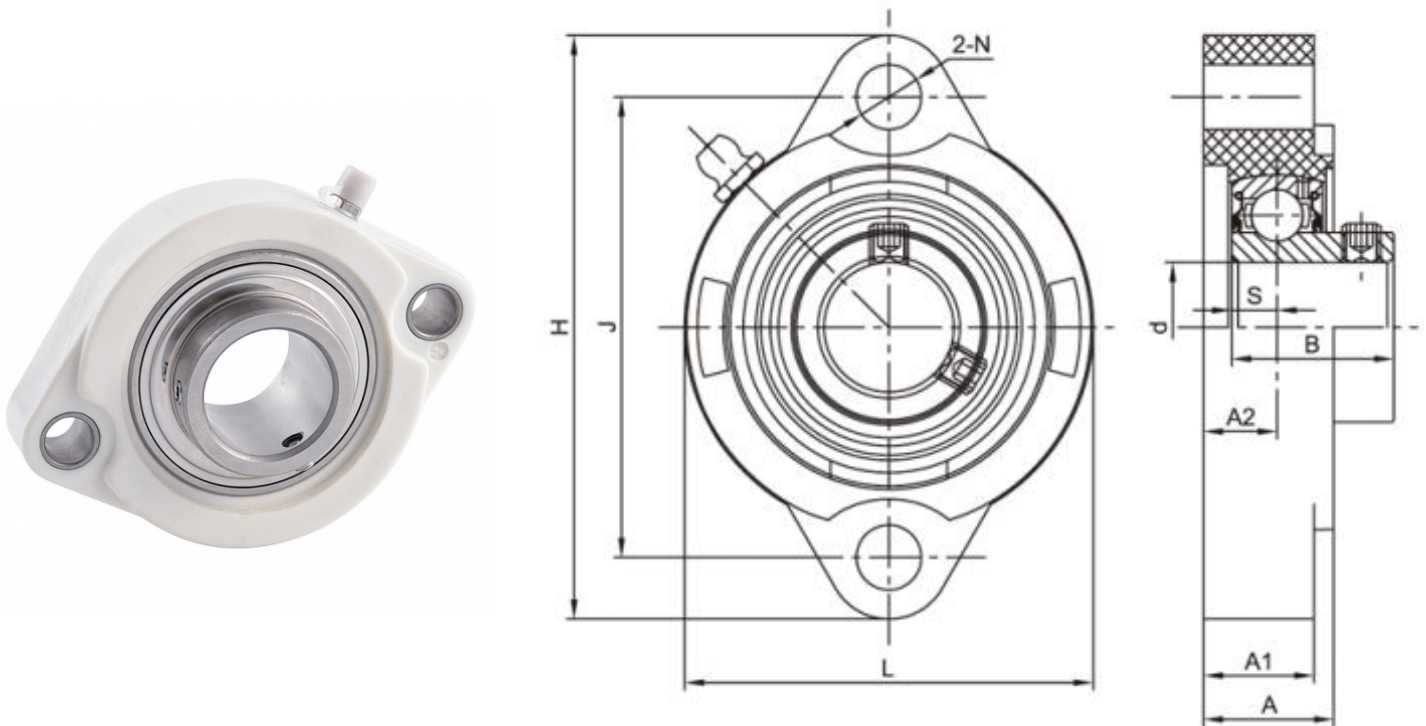
Solid base housing, Stainless steel inserts, With food grade grease and Silicon rubber seal



Unit No.	Shaft Dia		Dimensions(mm)										Bolt Size (mm)	Weight (kg)
	d		H	J	A2	A1	A	N	L	B	S	Z		
	(in)	(mm)												
TP-SUEFL204		20	113	90	15.4	14	26.5	11	65	33	12.7	35.7	M10	0.26
TP-SUEFL204-12	3/4		113	90	15.4	14	26.5	11	65	33	12.7	35.7	M10	0.26
TP-SUEFL205		25	131	99	17	14	29	11	69	35.4	14.3	38	M10	0.32
TP-SUEFL205-14	7/8		131	99	17	14	29	11	69	35.4	14.3	38	M10	0.32
TP-SUEFL205-15	15/16		131	99	17	14	29	11	69	35.4	14.3	38	M10	0.32
TP-SUEFL205-16	1		131	99	17	14	29	11	69	35.4	14.3	38	M10	0.32
TP-SUEFL206		30	148	117	19	14	31	11	80	39.8	15.9	42.9	M10	0.47
TP-SUEFL206-17	1-1/16		148	117	19	14	31	11	80	39.8	15.9	42.9	M10	0.47
TP-SUEFL206-18	1-1/8		148	117	19	14	31	11	80	39.8	15.9	42.9	M10	0.47
TP-SUEFL206-19	1-3/16		148	117	19	14	31	11	80	39.8	15.9	42.9	M10	0.47
TP-SUEFL206-20	1-1/4		148	117	19	14	31	11	80	39.8	15.9	42.9	M10	0.47
TP-SUEFL207		35	166	130	18	16	32	13	92	43.9	17.5	44.4	M12	0.73
TP-SUEFL207-20	1-1/4		166	130	18	16	32	13	92	43.9	17.5	44.4	M12	0.73
TP-SUEFL207-21	1-5/16		166	130	18	16	32	13	92	43.9	17.5	44.4	M12	0.73
TP-SUEFL207-22	1-3/8		166	130	18	16	32	13	92	43.9	17.5	44.4	M12	0.73
TP-SUEFL207-23	1-7/16		166	130	18	16	32	13	92	43.9	17.5	44.4	M12	0.73
TP-SUEFL208		40	176	144	21.5	20	37.5	14	101	50.2	19	52.7	M12	0.94
TP-SUEFL208-24	1-1/2		176	144	21.5	20	37.5	14	101	50.2	19	52.7	M12	0.94
TP-SUEFL208-25	37/150		176	144	21.5	20	37.5	14	101	50.2	19	52.7	M12	0.94
TP-SUEFL209		45	189	148.5	24	21	41	17	108	50.2	19	55.2	M16	1.11
TP-SUEFL209-26	1-5/8		189	148.5	24	21	41	17	108	50.2	19	55.2	M16	1.11
TP-SUEFL209-27	1-11/16		189	148.5	24	21	41	17	108	50.2	19	55.2	M16	1.11
TP-SUEFL209-28	1-3/4		189	148.5	24	21	41	17	108	50.2	19	55.2	M16	1.11
TP-SUEFL210		50	197	157	25	21	43	17	116	52.6	19	58.6	M16	1.22
TP-SUEFL210-30	1-7/8		197	157	25	21	43	17	116	52.6	19	58.6	M16	1.22
TP-SUEFL210-31	1-15/16		197	157	25	21	43	17	116	52.6	19	58.6	M16	1.22
TP-SUEFL210-32	2		197	157	25	21	43	17	116	52.6	19	58.6	M16	1.22
TP-SUEFL211		55	224	184	25	20	43	17	130	56.6	22.2	59.4	M16	1.61
TP-SUEFL211-32	2		224	184	25	20	43	17	130	56.6	22.2	59.4	M16	1.61
TP-SUEFL211-34	2-1/8		224	184	25	20	43	17	130	56.6	22.2	59.4	M16	1.61
TP-SUEFL211-35	2-3/16		224	184	25	20	43	17	130	56.6	22.2	59.4	M16	1.61
TP-SUEFL212		60	250	202	29	20	48	18	140	66.6	25.4	70.2	M16	2.28
TP-SUEFL212-36	2-1/4		250	202	29	20	48	18	140	66.6	25.4	70.2	M16	2.28
TP-SUEFL212-38	2-3/8		250	202	29	20	48	18	140	66.6	25.4	70.2	M16	2.28
TP-SUEFL212-39	2-7/16		250	202	29	20	48	18	140	66.6	25.4	70.2	M16	2.2

MODE OF LOAD	BREAKING POINT OF HOUSINGS(N)								
	204	205	206	207	208	209	210	211	212
	10872	12554	18224	16900	17213	17600	17950	18300	18700
	10590	15093	16826	14900	15150	15350	15650	15900	16250
	5150	5310	5630	6000	6510	6940	7590	8250	8950

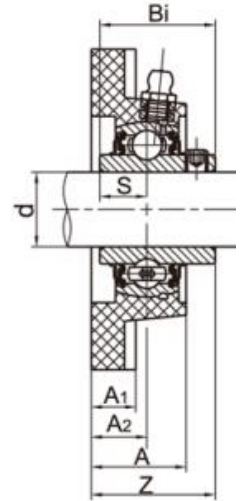
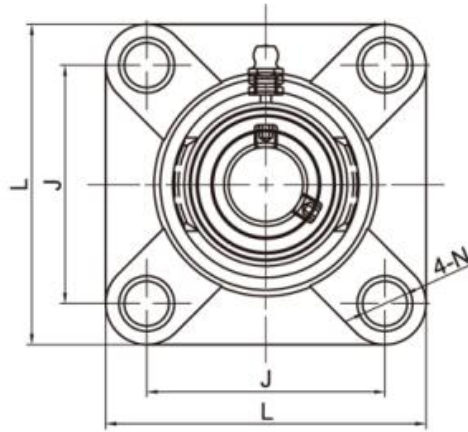
Anti-Bacterial Protection Series is available by adding suffix "AB" as designation. Ordering example ABTP-SUEFL204
 Solid base housing is available WHITE,BLACK,GREEN or other specified color.



Unit No.	Shaft Dia		Dimensions(mm)									Weight (kg)
	d		H	J	L	A1	A	N	A2	B	S	
	(in)	(mm)										
TP-SSBLF203		17	17	81	63.5	56	16	18	9	9.5	22	6
TP-SSBLF203-11	11/16		17	81	63.5	56	16	18	9	9.5	22	6
TP-SSBLF204		20	20	90.5	71.4	66.5	18.4	20	9	9.5	25	7
TP-SSBLF204-12	3/4		20	90.5	71.4	66.5	18.4	20	9	9.5	25	7
TP-SSBLF205		25	25	97	76.2	71	18.4	21.2	9	10	27	7.5
TP-SSBLF205-13	7/8		25	97	76.2	71	18.4	21.2	9	10	27	7.5
TP-SSBLF205-14	15/16		25	97	76.2	71	18.4	21.2	9	10	27	7.5
TP-SSBLF205-15	1		25	97	76.2	71	18.4	21.2	9	10	27	7.5
TP-SSBLF205-16		30	25	97	76.2	71	18.4	21.2	9	10	27	7.5
TP-SSBLF206	1-1/16		30	112.5	90.5	84	20.5	23.3	11	11.5	30	8
TP-SSBLF206-17	1-1/8		30	112.5	90.5	84	20.5	23.3	11	11.5	30	8
TP-SSBLF206-18	1-3/16		30	112.5	90.5	84	20.5	23.3	11	11.5	30	8
TP-SSBLF206-19	1-1/4		30	112.5	90.5	84	20.5	23.3	11	11.5	30	8
TP-SSBLF206-20		35	30	112.5	90.5	84	20.5	23.3	11	11.5	30	8
TP-SSBLF207	1-1/4		35	126	100	94	22.5	25.3	11	12.5	32	8.5
TP-SSBLF207-20	1-5/16		35	126	100	94	22.5	25.3	11	12.5	32	8.5
TP-SSBLF207-21	1-3/8		35	126	100	94	22.5	25.3	11	12.5	32	8.5
TP-SSBLF207-22	1-7/16		35	126	100	94	22.5	25.3	11	12.5	32	8.5
TP-SSBLF207-23		40	35	126	100	94	22.5	25.3	11	12.5	32	8.5
TP-SSBLF208	1-1/2		40	150	119	100	24	26.8	14	13.5	34	9
TP-SUEP208-25	37/150		40	150	119	100	24	26.8	14	13.5	34	9

Anti-Bacterial Protection Series is available by adding suffix "AB" as designation. Ordering example ABTP-SSBLF204
 Solid base housing is available WHITE, BLACK, GREEN or other specified color.

Stainless steel inserts, With food grade grease and Silicon rubber seal



Unit No.	Shaft Dia		Dimensions(mm)									Bolt Size (mm)	Weight (kg)
	d		L	J	A2	A1	A	N	B1	S	z		
	(in)	(mm)											
TP-SUCF201		12	86	63.5	18	13.4	27.8	11	31	12.7	36.3	M10	0.29
TP-SUCF201-8	1/2		86	63.5	18	13.4	27.8	11	31	12.7	36.3	M10	0.29
TP-SUCF202		15	86	63.5	18	13.4	27.8	11	31	12.7	36.3	M10	0.29
TP-SUCF202-9	9/16		86	63.5	18	13.4	27.8	11	31	12.7	36.3	M10	0.29
TP-SUCF202-10	5/8		86	63.5	18	13.4	27.8	11	31	12.7	36.3	M10	0.29
TP-SUCF203		17	86	63.5	18	13.4	27.8	11	31	12.7	36.3	M10	0.29
TP-SUCF203-11	11/16		86	63.5	18	13.4	27.8	11	31	12.7	36.3	M10	0.29
TP-SUCF204		20	86	63.5	18	13.4	27.8	11	31	12.7	36.3	M10	0.29
TP-SUCF204-12	0.75		86	63.5	18	13.4	27.8	11	31	12.7	36.3	M10	0.29
TP-SUCF205		25	95	70	17	14	28	11	34.1	14.3	36.7	M10	0.32
TP-SUCF205-14	7/8		95	70	17	14	28	11	34.1	14.3	36.7	M10	0.32
TP-SUCF205-15	15/16		95	70	17	14	28	11	34.1	14.3	36.7	M10	0.32
TP-SUCF205-16	1		95	70	17	14	28	11	34.1	14.3	36.7	M10	0.32
TP-SUCF206		30	108	83	19.2	14.3	31.5	11	38.1	15.9	41.4	M10	0.54
TP-SUCF206-17	1-1/16		108	83	19.2	14.3	31.5	11	38.1	15.9	41.4	M10	0.54
TP-SUCF206-18	1-1/8		108	83	19.2	14.3	31.5	11	38.1	15.9	41.4	M10	0.54
TP-SUCF206-19	1-3/16		108	83	19.2	14.3	31.5	11	38.1	15.9	41.4	M10	0.54
TP-SUCF206-20	1-1/4		108	83	19.2	14.3	31.5	11	38.1	15.9	41.4	M10	0.54
TP-SUCF207		35	118	92	21.5	15.5	34.8	13	42.9	17.5	46.9	M12	0.75
TP-SUCF207-20	1-1/4		118	92	21.5	15.5	34.8	13	42.9	17.5	46.9	M12	0.75
TP-SUCF207-21	1-5/16		118	92	21.5	15.5	34.8	13	42.9	17.5	46.9	M12	0.75
TP-SUCF207-22	1-3/8		118	92	21.5	15.5	34.8	13	42.9	17.5	46.9	M12	0.75
TP-SUCF207-23	1-7/16		118	92	21.5	15.5	34.8	13	42.9	17.5	46.9	M12	0.75
TP-SUCF208		40	130	102	23	18	37.5	14	49.2	19	53.2	M12	0.99
TP-SUCF208-24	1-1/2		130	102	23	18	37.5	14	49.2	19	53.2	M12	0.99
TP-SUCF208-25	37/150		130	102	23	18	37.5	14	49.2	19	53.2	M12	0.99
TP-SUCF209		45	137	105	24	19	41	17	49.2	19	54.2	M16	1.12
TP-SUCF209-26	1-5/8		137	105	24	19	41	17	49.2	19	54.2	M16	1.12
TP-SUCF209-27	1-11/16		137	105	24	19	41	17	49.2	19	54.2	M16	1.12
TP-SUCF209-28	1-3/4		137	105	24	19	41	17	49.2	19	54.2	M16	1.12
TP-SUCF210		50	143	111	25	21	43	17	51.6	19	57.6	M16	1.24
TP-SUCF210-30	1-7/8		143	111	25	21	43	17	51.6	19	57.6	M16	1.24
TP-SUCF210-31	1-15/16		143	111	25	21	43	17	51.6	19	57.6	M16	1.24
TP-SUCF210-32	2		143	111	25	21	43	17	51.6	19	57.6	M16	1.24
TP-SUCF211		55	162	130	25	20	43	17	55.6	22.2	58.4	M16	1.58
TP-SUCF211-32	2		162	130	25	20	43	17	55.6	22.2	58.4	M16	1.58
TP-SUCF211-34	2-1/8		162	130	25	20	43	17	55.6	22.2	58.4	M16	1.58
TP-SUCF211-35	2-3/16		162	130	25	20	43	17	55.6	22.2	58.4	M16	1.58
TP-SUCF212		60	175	143	29	19	48	17	65.1	25.4	68.7	M16	2.1
TP-SUCF212-36	2-1/4		175	143	29	19	48	17	65.1	25.4	68.7	M16	2.1
TP-SUCF212-38	2-3/8		175	143	29	19	48	17	65.1	25.4	68.7	M16	2.1
TP-SUCF212-39	2-7/16		175	143	29	19	48	17	65.1	25.4	68.7	M16	2.1

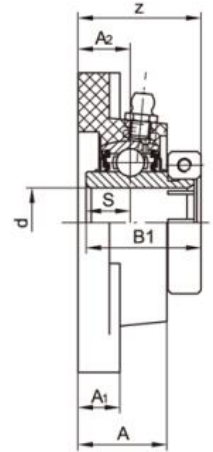
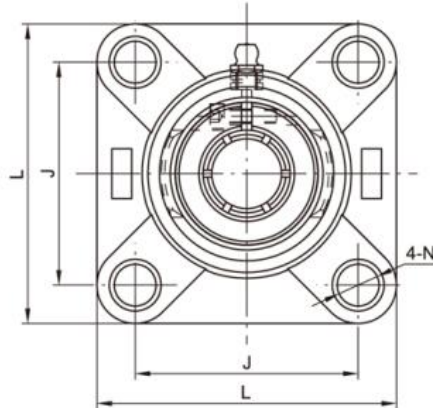
Anti-Bacterial Protection Series is available by adding suffix "AB" as designation. Ordering example ABTP-SUCF204

Solid base housing is available WHITE, BLACK, GREEN or other specified color.

Thermoplastic 4-Bolts Flange Housing Units - Concentric Locking



Stainless steel inserts, With food grade grease and Silicon rubber seal



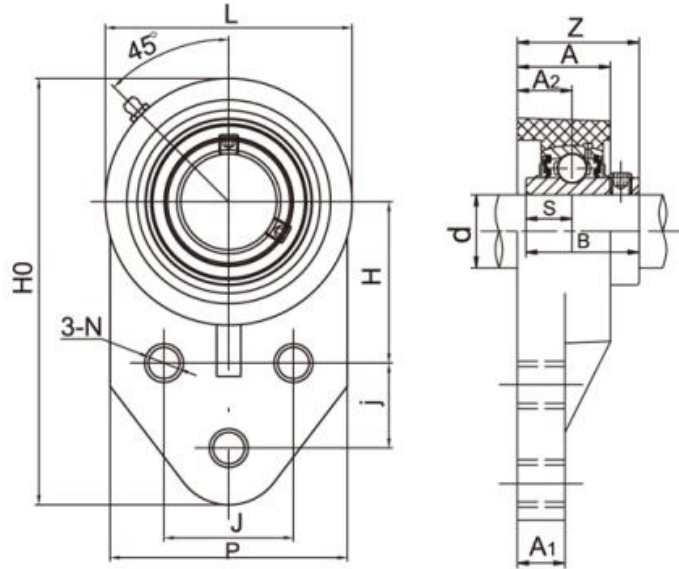
Unit No.	Shaft Dia		Dimensions(mm)									Bolt Size (mm)	Weight (kg)
	d		L	J	A2	A1	A	N	B1	S	z		
	(in)	(mm)											
TP-SUEF204		20	86	63.5	18	13.4	27.8	11	33	12.7	32.3	M10	0.3
TP-SUEF204-12	0.75		86	63.5	18	13.4	27.8	11	33	12.7	32.3	M10	0.3
TP-SUEF205		25	95	70	17	14	28	11	35.4	14.3	38	M10	0.35
TP-SUEF205-14	7/8		95	70	17	14	28	11	35.4	14.3	38	M10	0.35
TP-SUEF205-15	15/16		95	70	17	14	28	11	35.4	14.3	38	M10	0.35
TP-SUEF205-16	1		95	70	17	14	28	11	35.4	14.3	38	M10	0.35
TP-SUEF206		30	108	83	19.2	14.3	31.5	11	39.8	15.9	43.1	M10	0.53
TP-SUEF206-17	1-1/16		108	83	19.2	14.3	31.5	11	39.8	15.9	43.1	M10	0.53
TP-SUEF206-18	1-1/8		108	83	19.2	14.3	31.5	11	39.8	15.9	43.1	M10	0.53
TP-SUEF206-19	1-3/16		108	83	19.2	14.3	31.5	11	39.8	15.9	43.1	M10	0.53
TP-SUEF206-20	1-1/4		108	83	19.2	14.3	31.5	11	39.8	15.9	43.1	M10	0.53
TP-SUEF207		35	118	92	21.5	15.5	34.8	13	43.9	17.5	47.9	M12	0.76
TP-SUEF207-20	1-1/4		118	92	21.5	15.5	34.8	13	43.9	17.5	47.9	M12	0.76
TP-SUEF207-21	1-5/16		118	92	21.5	15.5	34.8	13	43.9	17.5	47.9	M12	0.76
TP-SUEF207-22	1-3/8		118	92	21.5	15.5	34.8	13	43.9	17.5	47.9	M12	0.76
TP-SUEF207-23	1-7/16		118	92	21.5	15.5	34.8	13	43.9	17.5	47.9	M12	0.76
TP-SUEF208		40	130	102	23	18	37.5	14	50.2	19	54.2	M12	1.02
TP-SUEF208-24	1-1/2		130	102	23	18	37.5	14	50.2	19	54.2	M12	1.02
TP-SUEF208-25	37/150		130	102	23	18	37.5	14	50.2	19	54.2	M12	1.02
TP-SUEF209		45	137	105	24	19	41	17	50.2	19	55.2	M16	1.18
TP-SUEF209-26	1-5/8		137	105	24	19	41	17	50.2	19	55.2	M16	1.18
TP-SUEF209-27	1-11/16		137	105	24	19	41	17	50.2	19	55.2	M16	1.18
TP-SUEF209-28	1-3/4		137	105	24	19	41	17	50.2	19	55.2	M16	1.18
TP-SUEF210		50	143	111	25	21	43	17	52.6	19	58.6	M16	1.3
TP-SUEF210-30	1-7/8		143	111	25	21	43	17	52.6	19	58.6	M16	1.3
TP-SUEF210-31	1-15/16		143	111	25	21	43	17	52.6	19	58.6	M16	1.3
TP-SUEF210-32	2		143	111	25	21	43	17	52.6	19	58.6	M16	1.3
TP-SUEF211		55	162	130	25	20	43	17	56.6	22.2	59.4	M16	1.77
TP-SUEF211-32	2		162	130	25	20	43	17	56.6	22.2	59.4	M16	1.77
TP-SUEF211-34	2-1/8		162	130	25	20	43	17	56.6	22.2	59.4	M16	1.77
TP-SUEF211-35	2-3/16		162	130	25	20	43	17	56.6	22.2	59.4	M16	1.77
TP-SUEF212		60	175	143	29	19	48	17	66.6	25.4	70.2	M16	2.32
TP-SUEF212-36	2-1/4		175	143	29	19	48	17	66.6	25.4	70.2	M16	2.32
TP-SUEF212-38	2-3/8		175	143	29	19	48	17	66.6	25.4	70.2	M16	2.32
TP-SUEF212-39	2-7/16		175	143	29	19	48	17	66.6	25.4	70.2	M16	2.32

MODE OF LOAD	BREAKING POINT OF HOUSINGS(N)								
	204	205	206	207	208	209	210	210	210
	15950	16000	18000	18500	19100	19350	19650	21550	22600
	10250	12150	17700	18500	19250	19350	19650	21500	21900
	4670	6590	7250	7910	8520	9010	9600	9700	9800

Anti-Bacterial Protection Series is available by adding suffix "AB" as designation. Ordering example ABTP-SUEF204

Solid base housing is available WHITE, BLACK, GREEN or other specified color.

Stainless steel inserts, With food grade grease and Silicon rubber seal



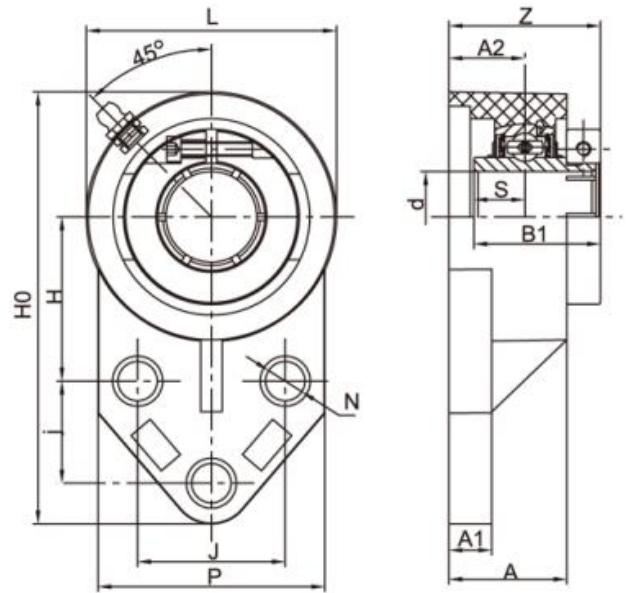
Unit No.	Shaft Dia		Dimensions(mm)													Bolt Size (mm)	Weight (kg)
	d		Ho	H	J	j	A2	A1	A	N	L	P	B	S	Z		
	(in)	(mm)															
TP-SUCFB201		12	108	42.9	38.1	22.2	19.7	11.4	31.2	11	63	62	31	12.7	38	M10	0.28
TP-SUCFB201-8	1/2		108	42.9	38.1	22.2	19.7	11.4	31.2	11	63	62	31	12.7	38	M10	0.28
TP-SUCFB202		15	108	42.9	38.1	22.2	19.7	11.4	31.2	11	63	62	31	12.7	38	M10	0.26
TP-SUCFB202-9	9/16		108	42.9	38.1	22.2	19.7	11.4	31.2	11	63	62	31	12.7	38	M10	0.26
TP-SUCFB202-10	5/8		108	42.9	38.1	22.2	19.7	11.4	31.2	11	63	62	31	12.7	38	M10	0.26
TP-SUCFB203		17	108	42.9	38.1	22.2	19.7	11.4	31.2	11	63	62	31	12.7	38	M10	0.25
TP-SUCFB203-11	11/16		108	42.9	38.1	22.2	19.7	11.4	31.2	11	63	62	31	12.7	38	M10	0.25
TP-SUCFB204		20	108	42.9	38.1	22.2	19.7	11.4	31.2	11	63	62	31	12.7	38	M10	0.25
TP-SUCFB204-12	3/4		108	42.9	38.1	22.2	19.7	11.4	31.2	11	63	62	31	12.7	38	M10	0.25
TP-SUCFB205		25	121	46	41.3	28.6	21.3	12.3	33	11	70	63	34.1	14.3	41.1	M10	0.3
TP-SUCFB205-14	7/8		121	46	41.3	28.6	21.3	12.3	33	11	70	63	34.1	14.3	41.1	M10	0.3
TP-SUCFB205-15	15/16		121	46	41.3	28.6	21.3	12.3	33	11	70	63	34.1	14.3	41.1	M10	0.3
TP-SUCFB205-16	1		121	46	41.3	28.6	21.3	12.3	33	11	70	63	34.1	14.3	41.1	M10	0.3
TP-SUCFB206		30	139	52.4	47.6	31.8	22.9	14.5	35.4	11	83	76	38.1	15.9	47.6	M10	0.46
TP-SUCFB206-17	1-1/16		139	52.4	47.6	31.8	22.9	14.5	35.4	11	83	76	38.1	15.9	47.6	M10	0.46
TP-SUCFB206-18	1-1/8		139	52.4	47.6	31.8	22.9	14.5	35.4	11	83	76	38.1	15.9	47.6	M10	0.46
TP-SUCFB206-19	1-3/16		139	52.4	47.6	31.8	22.9	14.5	35.4	11	83	76	38.1	15.9	47.6	M10	0.46
TP-SUCFB206-20	1-1/4		139	52.4	47.6	31.8	22.9	14.5	35.4	11	83	76	38.1	15.9	47.6	M10	0.46
TP-SUCFB207		35	158	60.3	50.8	31.8	24.5	17	37.5	13	94	89	42.9	17.5	50.8	M12	0.66
TP-SUCFB207-20	1-1/4		158	60.3	50.8	31.8	24.5	17	37.5	13	94	89	42.9	17.5	50.8	M12	0.66
TP-SUCFB207-21	1-5/16		158	60.3	50.8	31.8	24.5	17	37.5	13	94	89	42.9	17.5	50.8	M12	0.66
TP-SUCFB207-22	1-3/8		158	60.3	50.8	31.8	24.5	17	37.5	13	94	89	42.9	17.5	50.8	M12	0.66
TP-SUCFB207-23	1-7/16		158	60.3	50.8	31.8	24.5	17	37.5	13	94	89	42.9	17.5	50.8	M12	0.66
TP-SUCFB208		40	178	67.3	54	35.5	26	18.5	39.5	13	103	99	49.2	19	54	M12	0.9
TP-SUCFB208-24	1-1/2		178	67.3	54	35.5	26	18.5	39.5	13	103	99	49.2	19	54	M12	0.9
TP-SUCFB208-25	37/150		178	67.3	54	35.5	26	18.5	39.5	13	103	99	49.2	19	54	M12	0.9

MODE OF LOAD					
	204	205	206	207	208
	7200	9100	12200	12900	13600
	9200	11100	11800	11900	12100
	2600	2800	2900	3100	3300

Anti-Bacterial Protection Series is available by adding suffix "AB" as designation. Ordering example ABTP-SUCP204

Solid base housing is available WHITE,BLACK,GREEN or other specified color.

Stainless steel inserts, With food grade grease and Silicon rubber seal

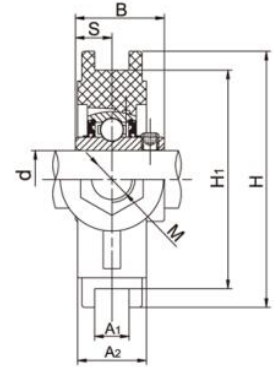
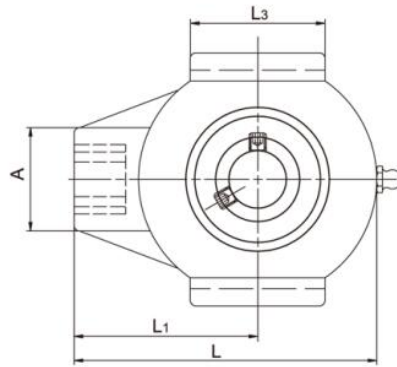


Unit No.	Shaft Dia		Dimensions(mm)													Bolt Size (mm)	Weight (kg)
	d		Ho	H	J	j	A2	A1	A	N	L	P	B	S	Z		
	(in)	(mm)															
TP-SUEFB204		20	108	42.9	38.1	22.2	19.7	11.4	31.2	11	63	62	33	12.7	40	M10	0.28
TP-SUEFB204-12	3/4		108	42.9	38.1	22.2	19.7	11.4	31.2	11	63	62	33	12.7	40	M10	0.28
TP-SUEFB205		25	121	46	41.3	28.6	21.3	12.3	33	11	70	63	35.4	14.3	42.4	M10	0.33
TP-SUEFB205-14	7/8		121	46	41.3	28.6	21.3	12.3	33	11	70	63	35.4	14.3	42.4	M10	0.33
TP-SUEFB205-15	15/16		121	46	41.3	28.6	21.3	12.3	33	11	70	63	35.4	14.3	42.4	M10	0.33
TP-SUEFB205-16	1		121	46	41.3	28.6	21.3	12.3	33	11	70	63	35.4	14.3	42.4	M10	0.33
TP-SUEFB206		30	139	52.4	47.6	31.8	22.9	14.5	35.4	11	83	76	39.8	15.9	46.8	M10	0.51
TP-SUEFB206-17	1-1/16		139	52.4	47.6	31.8	22.9	14.5	35.4	11	83	76	39.8	15.9	46.8	M10	0.51
TP-SUEFB206-18	1-1/8		139	52.4	47.6	31.8	22.9	14.5	35.4	11	83	76	39.8	15.9	46.8	M10	0.51
TP-SUEFB206-19	1-3/16		139	52.4	47.6	31.8	22.9	14.5	35.4	11	83	76	39.8	15.9	46.8	M10	0.51
TP-SUEFB206-20	1-1/4		139	52.4	47.6	31.8	22.9	14.5	35.4	11	83	76	39.8	15.9	46.8	M10	0.51
TP-SUEFB207		35	158	60.3	50.8	31.8	24.5	17	37.5	13	94	89	43.9	17.5	50.9	M12	0.77
TP-SUEFB207-20	1-1/4		158	60.3	50.8	31.8	24.5	17	37.5	13	94	89	43.9	17.5	50.9	M12	0.77
TP-SUEFB207-21	1-5/16		158	60.3	50.8	31.8	24.5	17	37.5	13	94	89	43.9	17.5	50.9	M12	0.77
TP-SUEFB207-22	1-3/8		158	60.3	50.8	31.8	24.5	17	37.5	13	94	89	43.9	17.5	50.9	M12	0.77
TP-SUEFB207-23	1-7/16		158	60.3	50.8	31.8	24.5	17	37.5	13	94	89	43.9	17.5	50.9	M12	0.77
TP-SUEFB208		40	178	67.3	54	35.5	26	18.5	39.5	13	103	99	50.2	19	57.2	M12	1.02
TP-SUEFB208-24	1-1/2		178	67.3	54	35.5	26	18.5	39.5	13	103	99	50.2	19	57.2	M12	1.02
TP-SUEFB208-25	37150		178	67.3	54	35.5	26	18.5	39.5	13	103	99	50.2	19	57.2	M12	1.02

MODE OF LOAD					
	204	205	206	207	208
	7200	9100	12200	12900	13600
	9200	11100	11800	11900	12100
	2600	2800	2900	3100	3300

Anti-Bacterial Protection Series is available by adding suffix "AB" as designation. Ordering example ABTP-SUEFB204
 Solid base housing is available WHITE,BLACK,GREEN or other specified color.

Stainless steel inserts, With food grade grease and Silicon rubber seal



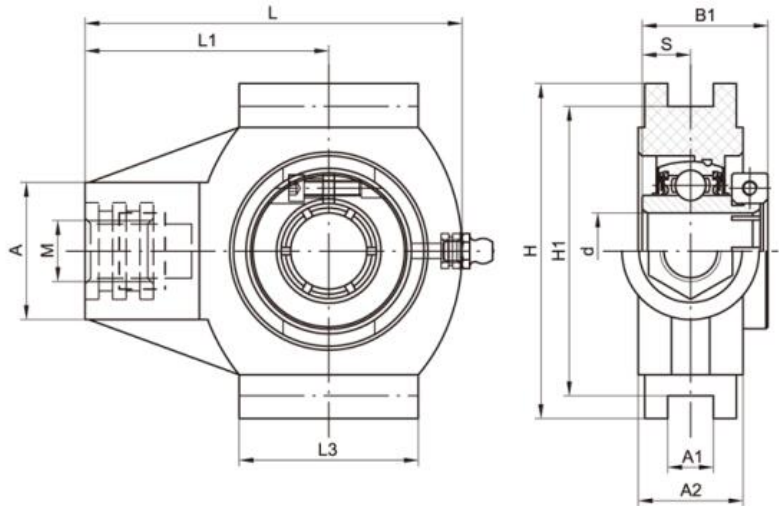
Unit No.	Shaft Dia		Dimensions(mm)											Weight (kg)
	d		L	A2	A1	L1	H	H1	M	A	L3	B	S	
	(in)	(mm)												
TP-SUCT201		12	99	27.5	12	64	88	76	M16	36	47	31	12.7	0.33
TP-SUCT201-8	1/2		99	27.5	12	64	88	76	M16	36	47	31	12.7	0.33
TP-SUCT202		15	99	27.5	12	64	88	76	M16	36	47	31	12.7	0.33
TP-SUCT202-9	9/16		99	27.5	12	64	88	76	M16	36	47	31	12.7	0.33
TP-SUCT202-10	5/8		99	27.5	12	64	88	76	M16	36	47	31	12.7	0.33
TP-SUCT203		17	99	27.5	12	64	88	76	M16	36	47	31	12.7	0.33
TP-SUCT203-11	11/16		99	27.5	12	64	88	76	M16	36	47	31	12.7	0.33
TP-SUCT204		20	99	27.5	12	64	88	76	M16	36	47	31	12.7	0.33
TP-SUCT204-12	3/4		99	27.5	12	64	88	76	M16	36	47	31	12.7	0.33
TP-SUCT205		25	99	27.5	12	64	88	76	M16	36	47	34.1	14.3	0.34
TP-SUCT205-14	7/8		99	27.5	12	64	88	76	M16	36	47	34.1	14.3	0.34
TP-SUCT205-15	15/16		99	27.5	12	64	88	76	M16	36	47	34.1	14.3	0.34
TP-SUCT205-16	1		99	27.5	12	64	88	76	M16	36	47	34.1	14.3	0.34
TP-SUCT206		30	125	34.5	12	76	102	89	M16	40	63	38.1	15.9	0.62
TP-SUCT206-17	1-1/16		125	34.5	12	76	102	89	M16	40	63	38.1	15.9	0.62
TP-SUCT206-18	1-1/8		125	34.5	12	76	102	89	M16	40	63	38.1	15.9	0.62
TP-SUCT206-19	1-3/16		125	34.5	12	76	102	89	M16	40	63	38.1	15.9	0.62
TP-SUCT206-20	1-1/4		125	34.5	12	76	102	89	M16	40	63	38.1	15.9	0.62
TP-SUCT207		35	125	34.5	12	76	102	89	M16	40	63	42.9	17.5	0.73
TP-SUCT207-20	1-1/4		125	34.5	12	76	102	89	M16	40	63	42.9	17.5	0.73
TP-SUCT207-21	1-5/16		125	34.5	12	76	102	89	M16	40	63	42.9	17.5	0.73
TP-SUCT207-22	1-3/8		125	34.5	12	76	102	89	M16	40	63	42.9	17.5	0.73
TP-SUCT207-23	1-7/16		125	34.5	12	76	102	89	M16	40	63	42.9	17.5	0.73
TP-SUCT208		40	140	34.5	16	85	114	102	M16	40	80	49.2	19	0.96
TP-SUCT208-24	1-1/2		140	34.5	16	85	114	102	M16	40	80	49.2	19	0.96
TP-SUCT208-25	37150		140	34.5	16	85	114	102	M16	40	80	49.2	19	0.96
TP-SUCT209		45	149	40	16	90	116	102	M20	50	85	49.2	19	1.14
TP-SUCT209-26	1-5/8		149	40	16	90	116	102	M20	50	85	49.2	19	1.14
TP-SUCT209-27	1-11/16		149	40	16	90	116	102	M20	50	85	49.2	19	1.14
TP-SUCT209-28	1-3/4		149	40	16	90	116	102	M20	50	85	49.2	19	1.14
TP-SUCT210		50	149	40	16	90	116	102	M20	50	85	51.6	19	1.17
TP-SUCT210-30	1-7/8		149	40	16	90	116	102	M20	50	85	51.6	19	1.17
TP-SUCT210-31	1-15/16		149	40	16	90	116	102	M20	50	85	51.6	19	1.17
TP-SUCT210-32	2		149	40	16	90	116	102	M20	50	85	51.6	19	1.17

MODE OF LOAD	BREAKING POINT OF HOUSINGS(N)						
	204	205	206	207	208	209	210
	14800	15500	15800	16500	17300	18210	18860
	3930	4530	5100	6500	7800	8710	9750
	8500	10350	10900	11300	12150	12900	13550
	40770	45300	46100	44100	42800	44230	44880




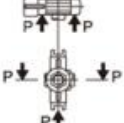
Anti-Bacterial Protection Series is available by adding suffix "AB" as designation. Ordering example ABTP-SUCT204

Solid base housing is available WHITE, BLACK, GREEN or other specified color.

Stainless steel inserts, With food grade grease and Silicon rubber seal



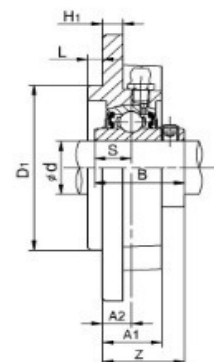
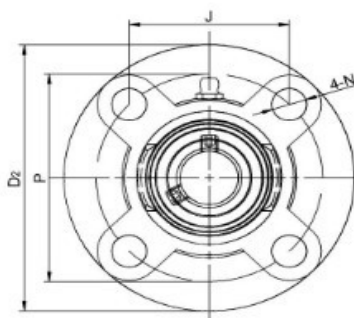
Unit No.	Shaft Dia		Dimensions(mm)											Weight (kg)
	d		L	A2	A1	L1	H	H1	M	A	L3	B	S	
	(in)	(mm)												
TP-SUET204		20	99	27.5	12	64	88	76	M16	36	47	33	12.7	0.34
TP-SUET204-12	3/4		99	27.5	12	64	88	76	M16	36	47	33	12.7	0.34
TP-SUET205		25	99	27.5	12	64	88	76	M16	36	47	35.4	14.3	0.35
TP-SUET205-14	7/8		99	27.5	12	64	88	76	M16	36	47	35.4	14.3	0.35
TP-SUET205-15	15/16		99	27.5	12	64	88	76	M16	36	47	35.4	14.3	0.35
TP-SUET205-16	1		99	27.5	12	64	88	76	M16	36	47	35.4	14.3	0.35
TP-SUET206		30	125	34.5	12	76	102	89	M16	40	63	39.8	15.9	0.59
TP-SUET206-17	1-1/16		125	34.5	12	76	102	89	M16	40	63	39.8	15.9	0.59
TP-SUET206-18	1-1/8		125	34.5	12	76	102	89	M16	40	63	39.8	15.9	0.59
TP-SUET206-19	1-3/16		125	34.5	12	76	102	89	M16	40	63	39.8	15.9	0.59
TP-SUET206-20	1-1/4		125	34.5	12	76	102	89	M16	40	63	39.8	15.9	0.59
TP-SUET207		35	125	34.5	12	76	102	89	M16	40	63	43.9	17.5	0.75
TP-SUET207-20	1-1/4		125	34.5	12	76	102	89	M16	40	63	43.9	17.5	0.75
TP-SUET207-21	1-5/16		125	34.5	12	76	102	89	M16	40	63	43.9	17.5	0.75
TP-SUET207-22	1-3/8		125	34.5	12	76	102	89	M16	40	63	43.9	17.5	0.75
TP-SUET207-23	1-7/16		125	34.5	12	76	102	89	M16	40	63	43.9	17.5	0.75
TP-SUET208		40	140	34.5	16	85	114	102	M16	40	80	50.2	19	0.99
TP-SUET208-24	1-1/2		140	34.5	16	85	114	102	M16	40	80	50.2	19	0.99
TP-SUET208-25	37150		140	34.5	16	85	114	102	M16	40	80	50.2	19	0.99
TP-SUET209		45	149	40	16	90	116	102	M20	50	85	50.2	19	1.19
TP-SUET209-26	1-5/8		149	40	16	90	116	102	M20	50	85	50.2	19	1.19
TP-SUET209-27	1-11/16		149	40	16	90	116	102	M20	50	85	50.2	19	1.19
TP-SUET209-28	1-3/4		149	40	16	90	116	102	M20	50	85	50.2	19	1.19
TP-SUET210		50	149	40	16	90	116	102	M20	50	85	52.6	19	1.22
TP-SUET210-30	1-7/8		149	40	16	90	116	102	M20	50	85	52.6	19	1.22
TP-SUET210-31	1-15/16		149	40	16	90	116	102	M20	50	85	52.6	19	1.22
TP-SUET210-32	2		149	40	16	90	116	102	M20	50	85	52.6	19	1.22

MODE OF LOAD	BREAKING POINT OF HOUSINGS(N)						
	204	205	206	207	208	209	210
	14800	15500	15800	16500	17300	18210	18860
	3930	4530	5100	6500	7800	8710	9750
	8500	10350	10900	11300	12150	12900	13550
	40770	45300	46100	44100	42800	44230	44880

Anti-Bacterial Protection Series is available by adding suffix "AB" as designation. Ordering example ABTP-SUET204

Solid base housing is available WHITE,BLACK,GREEN or other specified color.

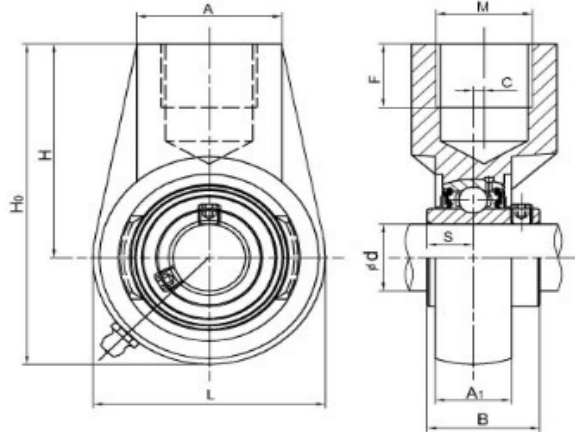
TP-SUCFC200



Unit No.	Dimensions(mm)													Bolt Size	Bearing	Housing	Weight (kg)
	d	D2	P	J	A2	N	L	H1	A1	D1	B	S	Z				
TP-SUCFC204	20	100	78	55.1	10	12	5	7	20.5	62	31	12.7	28.3	M10 3/8	SUC204	TP-FC204	0.59
TP-SUCFC204-12	19.05														SUC204-12		
TP-SUCFC205	25														SUC205		
TP-SUCFC205-14	22.225	115	90	63.6	10	12	6	7	21	70	34.1	14.3	29.8	M10 3/8	SUC205-14	TP-FC205	0.71
TP-SUCFC205-15	23.812														SUC205-15		
TP-SUCFC205-16	25.4														SUC205-16		
TP-SUCFC206	30														SUC206		
2TP-SUCFC06-17	26.988	125	100	70.7	10	12	8	8	23	80	38.1	15.9	32.2	M10 3/8	SUC206-17	TP-FC206	0.94
2TP-SUCFC06-18	28.575														SUC206-18		
2TP-SUCFC06-19	30.163														SUC206-19		
2TP-SUCFC06-20	31.75														SUC206-20		
TP-SUCFC207	35														SUC207		
TP-SUCFC207-20	31.75	135	110	77.8	11	14	8	9	26	90	42.9	17.5	36.4	M12 7/16	SUC207-20	TP-FC207	1.17
TP-SUCFC207-21	33.338														SUC207-21		
TP-SUCFC207-22	34.925														SUC207-22		
TP-SUCFC207-23	36.513														SUC207-23		
TP-SUCFC208	40														SUC208		
TP-SUCFC208-24	38.1	145	120	84.8	11	14	10	9	26	100	49.2	19	41.2	M12 7/16	SUC208-24	TP-FC208	1.42
TP-SUCFC208-25	39.688														SUC208-25		
TP-SUCFC209	45														SUC209		
TP-SUCFC209-26	41.275	160	132	93.3	10	16	12	14	26	105	49.2	19	40.2	M14 1/2	SUC209-26	TP-FC209	1.55
TP-SUCFC209-27	42.863														SUC209-27		
TP-SUCFC209-28	44.45														SUC209-28		
TP-SUCFC210	50														SUC210		
TP-SUCFC210-30	47.625	165	138	97.6	10	16	12	14	28	110	51.6	19	42.6	M14 1/2	SUC210-30	TP-FC210	1.76
TP-SUCFC210-31	49.213														SUC210-31		
TP-SUCFC210-32	50.8														SUC210-32		
TP-SUCFC211	55														SUC211		
TP-SUCFC211-32	50.8	185	150	106.1	13	19	12	15	30	125	55.6	22.2	46.4	M16 5/8	SUC211-32	TP-FC211	2.15
TP-SUCFC211-34	53.975														SUC211-34		
TP-SUCFC211-35	55.563														SUC211-35		
TP-SUCFC212	60														SUC212		
TP-SUCFC212-36	57.15	195	160	113.1	17	19	12	15	35	135	65.1	25.4	56.7	M16 5/8	SUC212-36	TP-FC212	2.64
TP-SUCFC212-38	60.325														SUC212-38		
TP-SUCFC212-39	61.913														SUC212-39		

TP-SUCHA200

- ◆ Thermoplastic Housing
- ◆ Stainless steel insert bearing
- ◆ Housing Color - White suffix " W ", Black suffix " B ", Green suffix " G "
- ◆ Available black oxidized chrome steel bearing

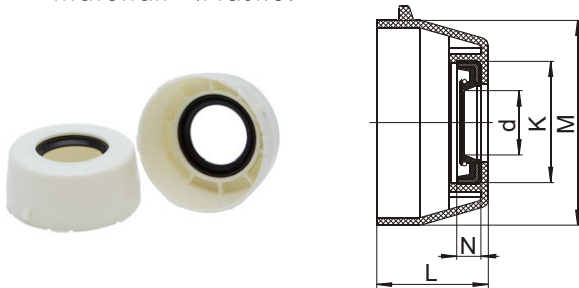


Unit No.	Dimensions(mm)											Bearing	Housing	Weight (kg)
	d	L	Ho	H	A	M	F	C	A1	B	S			
TP-SUCHA204	20	64	96	64	40	G3/4	19	0	21	31	12.7	SUC204	TP-HA204	0.48
TP-SUCHA204-12	19.05											SUC204-12		
TP-SUCHA205	25	78	103	64	40	G3/4	19	0	24	34.1	14.3	SUC205	TP-HA205	0.57
TP-SUCHA205-14	22.225											SUC205-14		
TP-SUCHA205-15	23.813											SUC205-15		
TP-SUCHA205-16	25.4											SUC205-16		
TP-SUCHA206	30	78	103	64	40	G3/4	19	0	28	38.1	15.9	SUC206	TP-HA206	0.8
TP-SUCHA206-18	28.575											SUC206-18		
TP-SUCHA206-19	30.163											SUC206-19		
TP-SUCHA206-20	31.75											SUC206-20		
TP-SUCHA207	35	92	116	70	40	G3/4	19	0	30	42.9	17.5	SUC207	TP-HA207	1.1
TP-SUCHA207-20	31.75											SUC207-20		
TP-SUCHA207-21	33.338											SUC207-21		
TP-SUCHA207-22	34.925											SUC207-22		
TP-SUCHA207-23	36.513											SUC207-23		
TP-SUCHA208	40	100	123	73	40	G3/4	19	2	33	49.2	19	SUC208	TP-HA208	1.35
TP-SUCHA208-24	38.1											SUC208-24		
TP-SUCHA208-25	39.688											SUC208-25		
TP-SUCHA209	45	108	136	82	48	G1	21	5	35	49.2	19	SUC209	TP-HA209	1.46
TP-SUCHA209-26	41.275											SUC209-26		
TP-SUCHA209-27	42.863											SUC209-27		
TP-SUCHA209-28	44.45											SUC209-28		
TP-SUCHA210	50	119	142	83	48	G1	21	5	37	51.6	19	SUC210	TP-HA210	1.67
TP-SUCHA210-30	47.625											SUC210-30		
TP-SUCHA210-31	49.213											SUC210-31		
TP-SUCHA210-32	50.8											SUC210-32		
TP-SUCHA211	55	126	150	87	60	G5/4	25	7	38	55.6	22.2	SUC211	TP-HA211	2.07
TP-SUCHA211-32	50.8											SUC211-32		
TP-SUCHA211-34	53.975											SUC211-34		
TP-SUCHA211-35	53.975											SUC211-35		
TP-SUCHA212	60	142	173	102	60	G5/4	28	9	42	65.1	25.4	SUC212	TP-HA212	2.63
TP-SUCHA212-36	57.15											SUC212-36		
TP-SUCHA212-38	60.325											SUC212-38		
TP-SUCHA212-39	61.913											SUC212-39		

Covers

OPEN

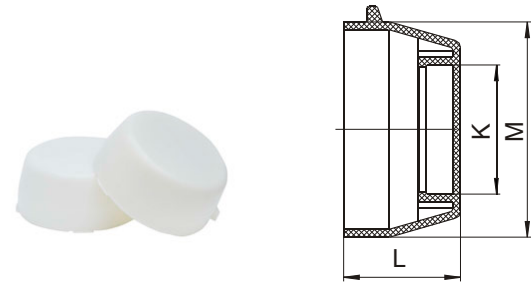
Open Cover with Stainless Steel
Spring-Loaded Oil Seal
Material: (Plastic)



Size	Dimensions(mm)				
	K	N	L	M	d
OC 204	32	7	23	50	20
OC 205	37	7	25	55	25
OC 206	42	7	30	64	30
OC 207	47	7	32	74.5	35
OC 208	52	7	37	84	40

CLOSED

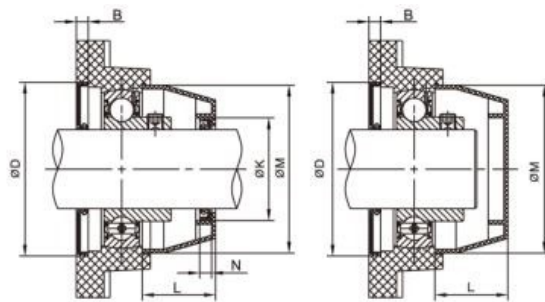
Material: (Plastic)



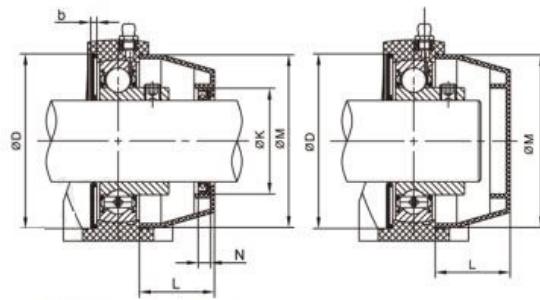
Size	Dimensions(mm)		
	K	L	M
CC 204	32	23	50
CC 205	37	25	55
CC 206	42	30	64
CC 207	47	32	74.5
CC 208	52	37	84

Plastic Covers: Open/Close Type (OC / CC)

Shaft diameter		Dimensions(mm)						
mm	inch	K	N	L	M	D	B	b
12	1/2	32	7	23	50	52	6	3
15	9/16 5/8	32	7	23	50	52	6	3
17	11/16	32	7	23	50	52	6	3
20	3/4	32	7	23	50	52	6	3
25	13/16 1 1/16 1 1/8	37	7	25	55	62	6	3
30	1 1/16 1 1/8 1 3/8 1 1/4	42	7	30	64	72	6	3
35	1 1/4 1 5/8 1 3/4 1 7/8	47	7	32	74.5	82	6	3
40	1 1/2 1 9/16	52	7	37	84	88	6	3
45	1 5/8 1 11/16 1 3/4	57	7	41	89	93	6	3
50	1 3/4 1 7/8 1 15/16 2	62	7	47	94	98	6	3
55	2 2 1/8 2 1/4	67	7	49	102	108	6	3
60	2 1/4 2 3/8 2 1/2	72	7	48	116	116	6	3

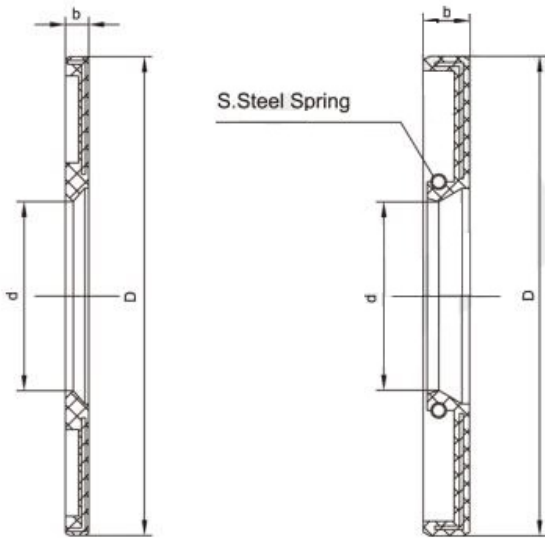


• Flange Units



• Pillow Block Units

Back Seals



BACK SEALS

DIM SIZE	FOR P T PA HOUSING			FOR F FL FB HOUSING		
	d	b	D	d	b	D
BS204	20	3	52	20	6	52
BS205	25	3	56	25	6	62
BS206	30	3	66	30	6	72
BS207	35	3	76	35	6	82
BS208	40	3	86	40	6	88
BS209	45	3	90	45	6	93
BS210	50	3	96	50	6	98
BS211	55	3	107	55	6	108
BS212	60	3	116	60	6	116