

## Product List

**Metric**

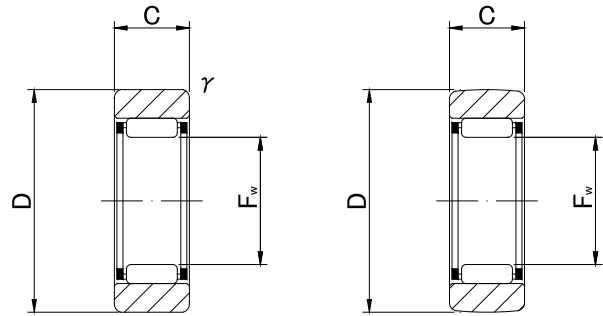
Series	Features
RSTO	separable,outer ring without rib,without inner ring
STO	separable,outer ring without rib,with inner ring
RNA22-2RS	separable, outer ring without rib, without inner ring, double lip seals
NA22 -2RS	separable, outer ring without rib, with inner ring, double lip seals
NAST-ZZR	separable,crowned outer ring,double shields
NAST-ZZ	separable,cylindrical outer ring,double shields
NAST-ZZUUR	separable,crowned outer ring,double shields and lip seals
NAST-ZZUU	separable,cylindrical outer ring,double shields and lip seals
NATR	with inner ring, axial plain washers on both sides
NATR-PP	with inner ring, axial plain washers and lip seals on both sides
NATV	full complement needle roller set, with inner ring, axial plain washers on both sides
NATV-PP	full complement needle roller set,with inner ring, axial plain washers and lip seals on both sides
NUTR	full complement cylindrical roller set, with inner ring, labyrinth seals on both sides
PWTR-2RS	full complement cylindrical roller set, with inner ring, lip seals on both sides
NNTR..-2ZL	Full complement cylindrical roller set, with inner ring, central rib sealing shields with lamellar ring on both sides

**Inch**

CYR	full complement needle roller set, with inner ring, axial plain washers on both sides
YCRSR	full complement needle roller set,flanged outer ring,double seals

RSTO

Separable, outer ring without rib, without inner ring

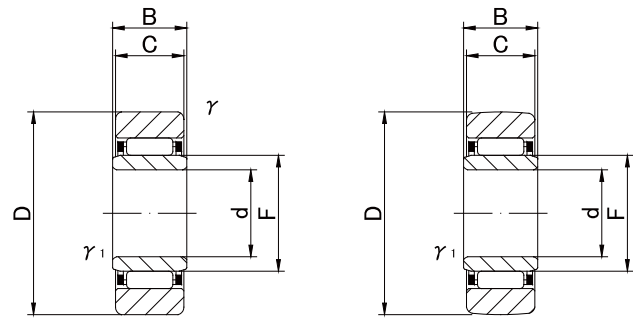


Crowned outer ring	Cylindrical outer ring	Dimensions(mm)				Basic load rating (N)		Track load capacity(N)		Limiting speed	Weight
						dynamic	static	Crowned outer ring	Cylindrical outer ring		
RSTO	RSTO-X	Fw	D	C	rs min	Cr	Cor	Crowned outer ring	Cylindrical outer ring	rpm	g
RSTO5	RSTO5X	7	16	7.8	0.3	2740	2390	1080	2350	30000	8.9
RSTO6	RSTO6X	10	19	9.8	0.3	4120	4550	1370	3520	20000	13.9
RSTO8	RSTO8X	12	24	9.8	0.6	5680	5890	1860	4020	17000	23.5
RSTO10	RSTO10X	14	30	11.8	1	9700	9670	2450	5590	15000	42.5
RSTO12	RSTO12X	16	32	11.8	1	10400	10900	2740	5980	13000	49.5
RSTO15	RSTO15X	20	35	11.8	1	12300	14300	3140	6570	10000	50
RSTO17	RSTO17X	22	40	15.8	1	17400	20900	3720	10900	9500	90
RSTO20	RSTO20X	25	47	15.8	1	19200	24500	4610	12700	8500	135
RSTO25	RSTO25X	30	52	15.8	1	20700	28400	5290	14100	7000	152
RSTO30	RSTO30X	38	62	19.8	1	30300	45400	6660	22100	5500	255
RSTO35	RSTO35X	42	72	19.8	1	32200	50600	8130	25700	5000	375
RSTO40	RSTO40X	50	80	19.8	1.5	35700	61100	9310	26900	4000	420
RSTO45	RSTO45X	55	85	19.8	1.5	37100	66400	10100	28500	4000	460
RSTO50	RSTO50X	60	90	19.8	1.5	38700	71800	11000	30200	3500	500

C&H		Interchange							
		INA		IKO		KOYO		NTN	
Cylindrical outer ring	Crowned outer ring	Cylindrical outer ring	Crowned outer ring	Cylindrical outer ring	Crowned outer ring	Cylindrical outer ring	Crowned outer ring	Cylindrical outer ring	Crowned outer ring
RSTO-X	RSTO	RSTO-X	RSTO	RNAST	RNAST-R	RSTO-DZ	RSTO	RNAB-X	RNAB
RSTO6X	RSTO6	RSTO6TNX	RSTO6TN	RNAST6	RNAST6R	RSTO6DZ	RSTO6	RNAB2/6XT2	RNAB2/6T2
RSTO8X	RSTO8	RSTO8TNX	RSTO8TN	RNAST8	RNAST8R	RSTO8DZ	RSTO8	RNAB2/8X	RNAB2/8
RSTO10X	RSTO10	RSTO10X	RSTO10	RNAST10	RNAST10R	RSTO10DZ	RSTO10	RNAB200X	RNAB200
RSTO12X	RSTO12	RSTO12X	RSTO12	RNAST12	RNAST12R	RSTO12DZ	RSTO12	RNAB201X	RNAB201
RSTO15X	RSTO15	RSTO15X	RSTO15	RNAST15	RNAST15R	RSTO15DZ	RSTO15	RNAB202X	RNAB202
RSTO17X	RSTO17	RSTO17X	RSTO17	RNAST17	RNAST17R	RSTO17DZ	RSTO17	RNAB203X	RNAB203
RSTO20X	RSTO20	RSTO20X	RSTO20	RNAST20	RNAST20R	RSTO20DZ	RSTO20	RNAB204X	RNAB204
RSTO25X	RSTO25	RSTO25X	RSTO25	RNAST25	RNAST25R	RSTO25DZ	RSTO25	RNAB205X	RNAB205
RSTO30X	RSTO30	RSTO30X	RSTO30	RNAST30	RNAST30R	RSTO30DZ	RSTO30	RNAB206X	RNAB206
RSTO35X	RSTO35	RSTO35X	RSTO35	RNAST35	RNAST35R	RSTO35DZ	RSTO35	RNAB207X	RNAB207
RSTO40X	RSTO40	RSTO40X	RSTO40	RNAST40	RNAST40R	RSTO40DZ	RSTO40	RNAB208X	RNAB208
RSTO45X	RSTO45	RSTO45X	RSTO45	RNAST45	RNAST45R	RSTO45DZ	RSTO45	RNAB209X	RNAB209
RSTO50X	RSTO50	RSTO50X	RSTO50	RNAST50	RNAST50R	RSTO50DZ	RSTO50	RNAB210X	RNAB210

STO

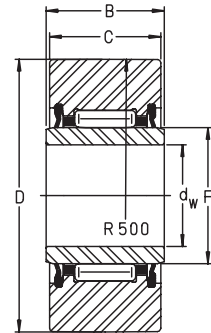
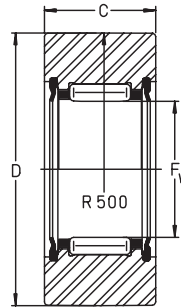
Separable, outer ring without rib, with inner ring



Crowned outer ring	Cylindrical outer ring	Dimensions(mm)							Basic load rating (N)			Track load capacity(N)		Limiting speed rpm	Weight g	
		d	F	D	B	C	rs min	r1s min	F	dynamic Cr	static Cor	Crowned outer ring	Cylindrical outer ring			
STO	STO-X															
STO6	STO6X	6	10	19	10	9.8	0.3	0.3	10	4120	4550	1370	3530	20000	17.8	
STO8	STO8X	8	12	24	10	9.8	0.6	0.3	12	5680	5890	1860	4020	17000	28	
STO10	STO10X	10	14	30	12	11.8	1	0.3	14	9700	9670	2450	5590	15000	50	
STO12	STO12X	12	16	32	12	11.8	1	0.3	16	10400	10900	2740	5980	13000	58	
STO15	STO15X	15	20	35	12	11.8	1	0.3	20	12300	14300	3140	6570	10000	62	
STO17	STO17X	17	22	40	16	15.8	1	0.3	22	17400	20900	3720	10900	9500	110	
STO20	STO20X	20	25	47	16	15.8	1	0.3	25	19200	24500	4610	12700	8500	155	
STO25	STO25X	25	30	52	16	15.8	1	0.3	30	20700	28400	5290	14100	7000	180	
STO30	STO30X	30	38	62	20	19.8	1	0.6	38	30300	45400	6660	22100	5500	320	
STO35	STO35X	35	42	72	20	19.8	1	0.6	42	32200	50600	8130	25700	5000	440	
STO40	STO40X	40	50	80	20	19.8	1.5	1	50	35700	61100	9310	26900	4000	530	
STO45	STO45X	45	55	85	20	19.8	1.5	1	55	37100	66400	10100	28500	4000	580	
STO50	STO50X	50	60	90	20	19.8	1.5	1	60	38700	78100	11000	30200	3500	635	

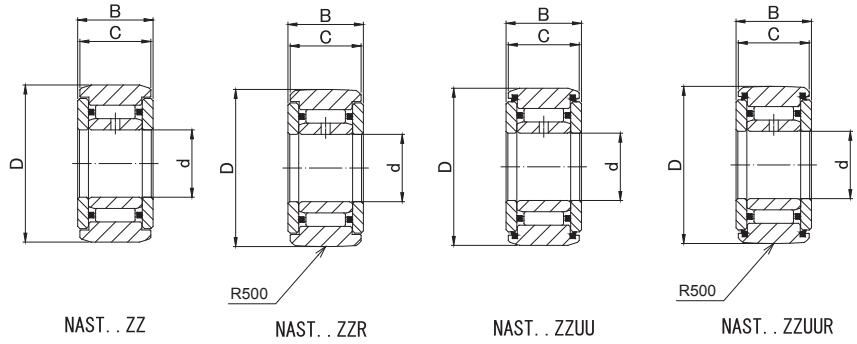
C&H		Interchange							
		INA		IKO		Torrington(KOYO)		NTN	
Cylindrical outer ring	Crowned outer ring	Cylindrical outer ring	Crowned outer ring	Cylindrical outer ring	Crowned outer ring	Cylindrical outer ring	Crowned outer ring	Cylindrical outer ring	Crowned outer ring
STO-X	STO	STO-X	STO	NAST	NAST-R	STO-DZ	STO	NAB-X	NAB
STO6X	STO6	STO6TNX	STO6TN	NAST6	NAST6R	STO6DZ	STO6	NAB2/6XT2	NAB2/6T2
STO8X	STO8	STO8TNX	STO8TN	NAST8	NAST8R	STO8DZ	STO8	NAB2/8X	NAB2/8
STO10X	STO10	STO10X	STO10	NAST10	NAST10R	STO10DZ	STO10	NAB200X	NAB200
STO12X	STO12	STO12X	STO12	NAST12	NAST12R	STO12DZ	STO12	NAB201X	NAB201
STO15X	STO15	STO15X	STO15	NAST15	NAST15R	STO15DZ	STO15	NAB202X	NAB202
STO17X	STO17	STO17X	STO17	NAST17	NAST17R	STO17DZ	STO17	NAB203X	NAB203
STO20X	STO20	STO20X	STO20	NAST20	NAST20R	STO20DZ	STO20	NAB204X	NAB204
STO25X	STO25	STO25X	STO25	NAST25	NAST25R	STO25DZ	STO25	NAB205X	NAB205
STO30X	STO30	STO30X	STO30	NAST30	NAST30R	STO30DZ	STO30	NAB206X	NAB206
STO35X	STO35	STO35X	STO35	NAST35	NAST35R	STO35DZ	STO35	NAB207X	NAB207
STO40X	STO40	STO40X	STO40	NAST40	NAST40R	STO40DZ	STO40	NAB208X	NAB208
STO45X	STO45	STO45X	STO45	NAST45	NAST45R	STO45DZ	STO45	NAB209X	NAB209
STO50X	STO50	STO50X	STO50	NAST50	NAST50R	STO50DZ	STO50	NAB210X	NAB210

NA22...2RS / NA...2RSX / RNA... 2RS / RNA...2RSX



C&H	C&H	Dim. (mm)					N.W(≈kg)		Interchange	
		d	F	D	B	C	NA	RNA	INA	INA
NA22/6-2RS	RNA22/6-2RS	6	10	19	12	11.8	0.022	0.018	NA 22/6.2RS	RNA 22/6.2RS
NA22/8-2RS	RNA22/8-2RS	8	12	24	12	11.8	0.034	0.029	NA 22/8.2RS	RNA 22/8.2RS
NA2200-2RS	RNA2200-2RS	10	14	30	14	13.8	0.059	0.052	NA 2200.2RS	RNA 2200.2RS
NA2201-2RS	RNA2201-2RS	12	16	32	14	13.8	0.067	0.057	NA 2201.2RS	RNA 2201.2RS
NA2202-2RS	RNA2202-2RS	15	20	35	14	13.8	0.075	0.060	NA 2202.2RS	RNA 2202.2RS
NA2203-2RS	RNA2203-2RS	17	22	40	16	15.8	0.112	0.094	NA 2203.2RS	RNA 2203.2RS
NA2204-2RS	RNA2204-2RS	20	25	47	18	17.8	0.176	0.152	NA 2204.2RS	RNA 2204.2RS
NA2205-2RS	RNA2205-2RS	25	30	52	18	17.8	0.209	0.179	NA 2205.2RS	RNA 2205.2RS
NA2206-2RS	RNA2206-2RS	30	35	62	20	19.8	0.324	0.283	NA 2206.2RS	RNA 2206.2RS
NA2207-2RS	RNA2207-2RS	35	42	72	23	22.8	0.505	0.432	NA 2207.2RS	RNA 2207.2RS
NA2208-2RS	RNA2208-2RS	40	48	80	23	22.8	0.628	0.530	NA 2208.2RS	RNA 2208.2RS
NA2209-2RS	RNA2209-2RS	45	52	85	23	22.8	0.655	0.545	NA 2209.2RS	RNA 2209.2RS
NA2210-2RS	RNA2210-2RS	50	58	90	23	22.8	0.690	0.585	NA 2210.2RS	RNA 2210.2RS

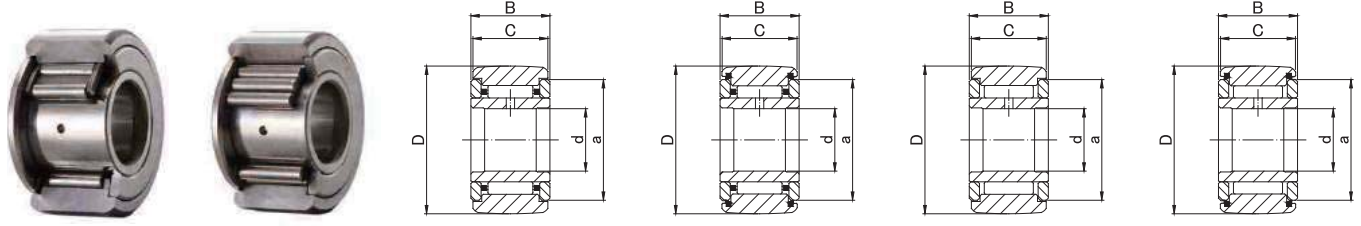
NAST.-ZZ, NAST-ZZR



Crowned outer ring		Cylindrical outer ring		Dimensions(mm)										Basic load rating (N)		Track load capacity(N)		Limiting speed rpm	Weight g
without seals	with seals	without seals	with seals	d	F	D	B	C	a	e	f	rs min	Cr	Cor	Spherical outer ring	Cylindrical outer ring			
NAST-ZZR	NAST-ZZUUR	NAST-ZZ	NAST-ZZUU	6	10	19	14	13.8	14	2.5	0.8	0.3	4120	4550	3530	1370	20000	25	
NAST6ZZR	NAST6ZZUR	NAST6ZZ	NAST6ZZUU	8	12	24	14	13.8	17.5	2.5	0.8	0.6	5680	5890	4020	1860	17000	39	
NAST8ZZR	NAST8ZZUR	NAST8ZZ	NAST8ZZUU	10	14	30	12	11.8	23.5	2.5	0.8	1	9700	9670	5590	2450	15000	65	
NAST10ZZR	NAST10ZZUR	NAST10ZZ	NAST10ZZUU	12	16	32	12	11.8	25.5	2.5	0.8	1	10400	10900	5980	2740	13000	75	
NAST15ZZR	NAST15ZZUR	NAST15ZZ	NAST15ZZUU	15	20	35	12	11.8	29	2.5	0.8	1	12300	14300	6570	3140	10000	83	
NAST17ZZR	NAST17ZZUR	NAST17ZZ	NAST17ZZUU	17	22	40	16	15.8	32.5	3	1	1	17400	20900	10900	3720	9500	135	
NAST20ZZR	NAST20ZZUR	NAST20ZZ	NAST20ZZUU	20	25	47	16	15.8	38	3	1	1	19200	24500	12700	4610	8500	195	
NAST25ZZR	NAST25ZZUR	NAST25ZZ	NAST25ZZUU	25	30	52	16	15.8	43	3	1	1	20700	28400	14100	5290	7000	225	
NAST30ZZR	NAST30ZZUR	NAST30ZZ	NAST30ZZUU	30	38	62	20	19.8	50.5	4	1.2	1	30300	45400	22100	6660	5500	400	
NAST35ZZR	NAST35ZZUR	NAST35ZZ	NAST35ZZUU	35	42	72	20	19.8	53.5	4	1.2	1	32200	50600	25700	8130	5000	550	
NAST40ZZR	NAST40ZZUR	NAST40ZZ	NAST40ZZUU	40	50	80	20	19.8	61.5	4	1.2	1.5	35700	61100	26900	9310	4000	710	
NAST45ZZR	NAST45ZZUR	NAST45ZZ	NAST45ZZUU	45	55	85	20	19.8	66.5	4	1.2	1.5	37100	66400	28500	10100	4000	760	
NAST50ZZR	NAST50ZZUR	NAST50ZZ	NAST50ZZUU	50	60	90	20	19.8	76	4	1.2	1.5	38700	78100	30200	11000	3500	830	

C&H				IKO				TORRINGTON(KOYO)	
Crowned outer ring		Cylindrical outer ring		Crowned outer ring		Cylindrical outer ring		Cylindrical outer ring	Crowned O.D.
without seals	with seals	without seal	with seals	without seals	with seals	without seals	with seals	without seals	without seals
NAST-ZZR	NAST-ZZUUR	NAST-ZZ	NAST-ZZUU	NAST-ZZR	NAST-ZZUUR	NAST-ZZ	NAST-ZZUU	STO-ZZ.DZ	STO-ZZ
NAST6ZZR	NAST6ZZUR	NAST6ZZ	NAST6ZZUU	NAST6ZZR	NAST6ZZUR	NAST6ZZ	NAST6ZZUU	STO6ZZ.DZ	STO6ZZ
NAST8ZZR	NAST8ZZUR	NAST8ZZ	NAST8ZZUU	NAST8ZZR	NAST8ZZUR	NAST8ZZ	NAST8ZZUU	STO8ZZ.DZ	STO8ZZ
NAST10ZZR	NAST10ZZUR	NAST10ZZ	NAST10ZZUU	NAST10ZZR	NAST10ZZUR	NAST10ZZ	NAST10ZZUU	STO10ZZ.DZ	STO10ZZ
NAST12ZZR	NAST12ZZUR	NAST12ZZ	NAST12ZZUU	NAST12ZZR	NAST12ZZUR	NAST12ZZ	NAST12ZZUU	STO12ZZ.DZ	STO12ZZ
NAST15ZZR	NAST15ZZUR	NAST15ZZ	NAST15ZZUU	NAST15ZZR	NAST15ZZUR	NAST15ZZ	NAST15ZZUU	STO15ZZ.DZ	STO15ZZ
NAST17ZZR	NAST17ZZUR	NAST17ZZ	NAST17ZZUU	NAST17ZZR	NAST17ZZUR	NAST17ZZ	NAST17ZZUU	STO17ZZ.DZ	STO17ZZ
NAST20ZZR	NAST20ZZUR	NAST20ZZ	NAST20ZZUU	NAST20ZZR	NAST20ZZUR	NAST20ZZ	NAST20ZZUU	STO20ZZ.DZ	STO20ZZ
NAST25ZZR	NAST25ZZUR	NAST25ZZ	NAST25ZZUU	NAST25ZZR	NAST25ZZUR	NAST25ZZ	NAST25ZZUU	STO25ZZ.DZ	STO25ZZ
NAST30ZZR	NAST30ZZUR	NAST30ZZ	NAST30ZZUU	NAST30ZZR	NAST30ZZUR	NAST30ZZ	NAST30ZZUU	STO30ZZ.DZ	STO30ZZ
NAST35ZZR	NAST35ZZUR	NAST35ZZ	NAST35ZZUU	NAST35ZZR	NAST35ZZUR	NAST35ZZ	NAST35ZZUU	STO35ZZ.DZ	STO35ZZ
NAST40ZZR	NAST40ZZUR	NAST40ZZ	NAST40ZZUU	NAST40ZZR	NAST40ZZUR	NAST40ZZ	NAST40ZZUU	STO40ZZ.DZ	STO40ZZ
NAST45ZZR	NAST45ZZUR	NAST45ZZ	NAST45ZZUU	NAST45ZZR	NAST45ZZUR	NAST45ZZ	NAST45ZZUU	STO45ZZ.DZ	STO45ZZ
NAST50ZZR	NAST50ZZUR	NAST50ZZ	NAST50ZZUU	NAST50ZZR	NAST50ZZUR	NAST50ZZ	NAST50ZZUU	STO50ZZ.DZ	STO50ZZ

Non separable with inner ring



R500 - NATR5 ~ NATR17  
R1000 - NATR20 ~ NATR50

"" NATR  
NATR-X

NATR-PP  
NATR-PPX

NATV  
NATV-X

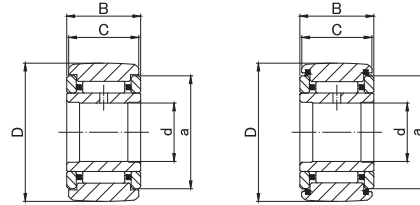
NATV-PP  
NATV-PPX

Crowned outer ring		Cylindrical outer ring		Dimensions(mm)						Basic load rating (N)		Track load capacity(N)		Limiting speed rpm	Weight g
without seal	with seal	without seal	with seal	d	D	B	C	a	rs min	dynamic	static	Crowned outer ring	Cylindrical outer ring		
NATR	NATR-PP	NATR-X	NATR-PPX							Cr	Cor				
NATR5	NATR5	NATR5X	NATR5PPX	5	16	12	11	12	0.3	3620	3720	1080	3430	25000	14.5
NATV5	NATV5	NATV5X	NATV5PPX							6760	8340			8500	15.1
NATR6	NATR6PP	NATR6X	NATR6PPX	6	19	12	11	14	0.6	4200	4700	1370	4020	20000	20.5
NATV6	NATV6PP	NATV6X	NATV6PPX							7640	10300			7000	21.5
NATR8	NATR8PP	NATR8X	NATR8PPX	8	24	15	14	17.5	0.3	6600	7300	1860	5950	17000	41.5
NATV8	NATV8PP	NATV8X	NATV8PPX							11800	15600			5500	42.5
NATR10	NATR10PP	NATR10X	NATR10PPX	10	30	15	14	23.5	0.6	8600	8300	2450	7060	15000	64.5
NATV10	NATV10PP	NATV10X	NATV10PPX							15600	18100			5000	66.5
NATR12	NATR12PP	NATR12X	NATR12PPX	12	32	15	14	25.5	0.6	9100	9200	2740	7450	13000	71
NATV12	NATV12PP	NATV12X	NATV12PPX							16800	20500			4500	73
NATR15	NATR15PP	NATR15X	NATR15PPX	15	35	19	18	29	0.6	14400	17600	3140	11200	10000	102
NATV15	NATV15PP	NATV15X	NATV15PPX							25100	36400			3500	106
NATR17	NATR17PP	NATR17X	NATR17PPX	17	40	21	20	32.5	1	18600	22500	3720	14400	9500	149
NATV17	NATV17PP	NATV17X	NATV17PPX							32000	46200			3000	155
NATR20	NATR20PP	NATR20X	NATR20PPX	20	47	25	24	38	1	24100	32700	7150	21000	8000	250
NATV20	NATV20PP	NATV20X	NATV20PPX							41700	67300			2500	255
NATR25	NATR25PP	NATR25X	NATR25PPX	25	52	25	24	43	1	25800	37500	8230	23200	7000	285
NATV25	NATV25PP	NATV25X	NATV25PPX							45500	79000			2500	295
NATR30	NATR30PP	NATR30X	NATR30PPX	30	62	29	28	50.5	1	36200	56900	10500	33000	5500	470
NATV30	NATV30PP	NATV30X	NATV30PPX							59800	110400			1800	485
NATR35	NATR35PP	NATR35X	NATR35PPX	35	72	29	28	53.5	1	38200	62800	12900	38000	5000	640
NATV35	NATV35PP	NATV35X	NATV35PPX							63000	121500			1700	655
NATR40	NATR40PP	NATR40X	NATR40PPX	40	80	32	30	61.5	1	46200	84700	14900	44400	4000	845
NATV40	NATV40PP	NATV40X	NATV40PPX							76200	164200			1400	865
NATR45	NATR45PP	NATR45X	NATR45PPX	45	85	32	30	66.5	1	49300	95200	16100	47000	4000	915
NATV45	NATV45PP	NATV45X	NATV45PPX							80200	181000			1300	935
NATR50	NATR50PP	NATR50X	NATR50PPX	50	90	32	30	76	1	51100	102300	17300	50000	3500	980
NATV50	NATV50PP	NATV50X	NATV50PPX							84100	198000			1200	1010

Support Roller



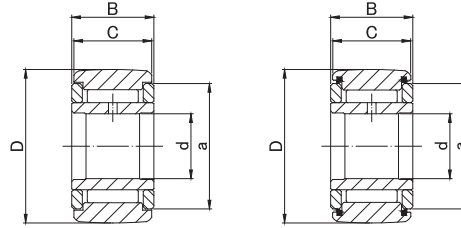
Non separable with inner ring - caged - interchange



C&H Crowned outer ring		INA Crowned outer ring		NTN Crowned outer ring		IKO Crowned outer ring		McGill Crowned outer ring	
without seal	with seal	without seal	with seal	without seal	with seal	without seal	with seal	without seal	with seal
NATR	NATR-PP	NATR	NATR-PP	NATR	NATR-LL	NART-R	NART-UUR	MCYRR	MCYRR-S
NATR5	NATR5PP	NATR5	NATR5PP	NATR5	NATR5LL	NART5R	NART5UUR	MCYRR5	MCYRR5S
NATR6	NATR6PP	NATR6	NATR6PP	NATR6	NATR6LL	NART6R	NART6UUR	MCYRR6	MCYRR6S
NATR8	NATR8PP	NATR8	NATR8PP	NATR8	NATR8LL	NART8R	NART8UUR	MCYRR8	MCYRR8S
NATR10	NATR10PP	NATR10	NATR10PP	NATR10	NATR10LL	NART10R	NART10UUR	MCYRR10	MCYRR10S
NATR12	NATR12PP	NATR12	NATR12PP	NATR12	NATR12LL	NART12R	NART12UUR	MCYRR12	MCYRR12S
NATR15	NATR15PP	NATR15	NATR15PP	NATR15	NATR15LL	NART15R	NART15UUR	MCYRR15	MCYRR15S
NATR17	NATR17PP	NATR17	NATR17PP	NATR17	NATR17LL	NART17R	NART17UUR	MCYRR17	MCYRR17S
NATR20	NATR20PP	NATR20	NATR20PP	NATR20	NATR20LL	NART20R	NART20UUR	MCYRR20	MCYRR20S
NATR25	NATR25PP	NATR25	NATR25PP	NATR25	NATR25LL	NART25R	NART25UUR	MCYRR25	MCYRR25S
NATR30	NATR30PP	NATR30	NATR30PP	NATR30	NATR30LL	NART30R	NART30UUR	MCYRR30	MCYRR30S
NATR35	NATR35PP	NATR35	NATR35PP	NATR35	NATR35LL	NART35R	NART35UUR	MCYRR35	MCYRR35S
NATR40	NATR40PP	NATR40	NATR40PP	NATR40	NATR40LL	NART40R	NART40UUR	MCYRR40	MCYRR40S
NATR45	NATR45PP	NATR45	NATR45PP	NATR45	NATR45LL	NART45R	NART45UUR	MCYRR45	MCYRR45S
NATR50	NATR50PP	NATR50	NATR50PP	NATR50	NATR50LL	NART50R	NART50UUR	MCYRR50	MCYRR50S

C&H Cylindrical outer ring		INA Cylindrical outer ring		NTN Cylindrical outer ring		McGill Cylindrical outer ring	
without seal	with seal	without seal	with seal	without seal	with seal	without seal	with seal
NATR-X	NATR-PPX	NATR-X	NATR-PPX	NATR-X	NATR-XLL	MCYRR-X	MCYRR-SX
NATR5X	NATR5PPX	NATR5X	NATR5PPX	NATR5X	NATR5XLL	MCYRR5X	MCYRR5SX
NATR6X	NATR6PPX	NATR6X	NATR6PPX	NATR6X	NATR6XLL	MCYRR6X	MCYRR6SX
NATR8X	NATR8PPX	NATR8X	NATR8PPX	NATR8X	NATR8XLL	MCYRR8X	MCYRR8SX
NATR10X	NATR10PPX	NATR10X	NATR10PPX	NATR10X	NATR10XLL	MCYRR10X	MCYRR10SX
NATR12X	NATR12PPX	NATR12X	NATR12PPX	NATR12X	NATR12XLL	MCYRR12X	MCYRR12SX
NATR15X	NATR15PPX	NATR15X	NATR15PPX	NATR15X	NATR15XLL	MCYRR15X	MCYRR15SX
NATR17X	NATR17PPX	NATR17X	NATR17PPX	NATR17X	NATR17XLL	MCYRR17X	MCYRR17SX
NATR20X	NATR20PPX	NATR20X	NATR20PPX	NATR20X	NATR20XLL	MCYRR20X	MCYRR20SX
NATR25X	NATR25PPX	NATR25X	NATR25PPX	NATR25X	NATR25XLL	MCYRR25X	MCYRR25SX
NATR30X	NATR30PPX	NATR30X	NATR30PPX	NATR30X	NATR30XLL	MCYRR30X	MCYRR30SX
NATR35X	NATR35PPX	NATR35X	NATR35PPX	NATR35X	NATR35XLL	MCYRR35X	MCYRR35SX
NATR40X	NATR40PPX	NATR40X	NATR40PPX	NATR40X	NATR40XLL	MCYRR40X	MCYRR40SX
NATR45X	NATR45PPX	NATR45X	NATR45PPX	NATR45X	NATR45XLL	MCYRR45X	MCYRR45SX
NATR50X	NATR50PPX	NATR50X	NATR50PPX	NATR50X	NATR50XLL	MCYRR50X	MCYRR50SX

Non separable with inner ring - full needle roller - interchange



C&H		INA		NTN		IKO		McGill	
Crowned outer ring		Crowned outer ring		Crowned outer ring		Crowned OD	Crowned OD	Crowned outer ring	
without seal	with seal	without seal	with seal	without seal	with seal	without seal	with seal	without seal	with seal
NATV	NATV-PP	NATV	NATV-PP	NATV	NATV-LL	NART-VR	NART-VUUR	MCYR	MCYR-S
NATV5	NATV5PP	NATV5	NATV5PP	NATV5	NATV5LL	NART5VR	NART5VUUR	MCYR5	MCYR5S
NATV6	NATV6PP	NATV6	NATV6PP	NATV6	NATV6LL	NART6VR	NART6VUUR	MCYR6	MCYR6S
NATV8	NATV8PP	NATV8	NATV8PP	NATV8	NATV8LL	NART8VR	NART8VUUR	MCYR8	MCYR8S
NATV10	NATV10PP	NATV10	NATV10PP	NATV10	NATV10LL	NART10VR	NART10VUUR	MCYR10	MCYR10S
NATV12	NATV12PP	NATV12	NATV12PP	NATV12	NATV12LL	NART12VR	NART12VUUR	MCYR12	MCYR12S
NATV15	NATV15PP	NATV15	NATV15PP	NATV15	NATV15LL	NART15VR	NART15VUUR	MCYR15	MCYR15S
NATV17	NATV17PP	NATV17	NATV17PP	NATV17	NATV17LL	NART17VR	NART17VUUR	MCYR17	MCYR17S
NATV20	NATV20PP	NATV20	NATV20PP	NATV20	NATV20LL	NART20VR	NART20VUUR	MCYR20	MCYR20S
NATV25	NATV25PP	NATV25	NATV25PP	NATV25	NATV25LL	NART25VR	NART25VUUR	MCYR25	MCYR25S
NATV30	NATV30PP	NATV30	NATV30PP	NATV30	NATV30LL	NART30VR	NART30VUUR	MCYR30	MCYR30S
NATV35	NATV35PP	NATV35	NATV35PP	NATV35	NATV35LL	NART35VR	NART35VUUR	MCYR35	MCYR35S
NATV40	NATV40PP	NATV40	NATV40PP	NATV40	NATV40LL	NART40VR	NART40VUUR	MCYR40	MCYR40S
NATV45	NATV45PP	NATV45	NATV45PP	NATV45	NATV45LL	NART45VR	NART45VUUR	MCYR45	MCYR45S
NATV50	NATV50PP	NATV50	NATV50PP	NATV50	NATV50LL	NART50VR	NART50VUUR	MCYR50	MCYR50S

C&H		INA		NTN		McGill	
Cylindrical outer ring		Cylindrical outer ring		Cylindrical outer ring		Cylindrical outer ring	
without seal	with seal	without seal	with seal	without seal	with seal	without seal	with seal
NATV-X	NATV-PPX	NATV-X	NATV-PPX	NATV-X	NATV-XLL	MCYR-X	MCYR-SX
NATV5X	NATV5PPX	NATV5X	NATV5PPX	NATV5X	NATV5XLL	MCYR5X	MCYR5SX
NATV6X	NATV6PPX	NATV6X	NATV6PPX	NATV6X	NATV6XLL	MCYR6X	MCYR6SX
NATV8X	NATV8PPX	NATV8X	NATV8PPX	NATV8X	NATV8XLL	MCYR8X	MCYR8SX
NATV10X	NATV10PPX	NATV10X	NATV10PPX	NATV10X	NATV10XLL	MCYR10X	MCYR10SX
NATV12X	NATV12PPX	NATV12X	NATV12PPX	NATV12X	NATV12XLL	MCYR12X	MCYR12SX
NATV15X	NATV15PPX	NATV15X	NATV15PPX	NATV15X	NATV15XLL	MCYR15X	MCYR15SX
NATV17X	NATV17PPX	NATV17X	NATV17PPX	NATV17X	NATV17XLL	MCYR17X	MCYR17SX
NATV20X	NATV20PPX	NATV20X	NATV20PPX	NATV20X	NATV20XLL	MCYR20X	MCYR20SX
NATV25X	NATV25PPX	NATV25X	NATV25PPX	NATV25X	NATV25XLL	MCYR25X	MCYR25SX
NATV30X	NATV30PPX	NATV30X	NATV30PPX	NATV30X	NATV30XLL	MCYR30X	MCYR30SX
NATV35X	NATV35PPX	NATV35X	NATV35PPX	NATV35X	NATV35XLL	MCYR35X	MCYR35SX
NATV40X	NATV40PPX	NATV40X	NATV40PPX	NATV40X	NATV40XLL	MCYR40X	MCYR40SX
NATV45X	NATV45PPX	NATV45X	NATV45PPX	NATV45X	NATV45XLL	MCYR45X	MCYR45SX
NATV50X	NATV50PPX	NATV50X	NATV50PPX	NATV50X	NATV50XLL	MCYR50X	MCYR50SX

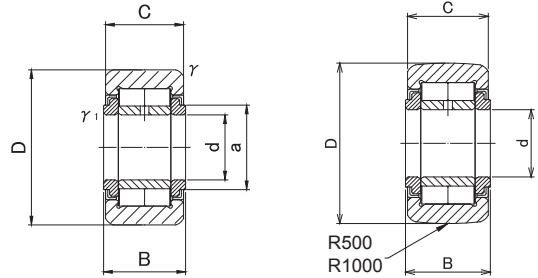


# Support Roller

## Heavy Duty- NUTR & NUTR-X



- ◇ Full and double row cylindrical roller design
- ◇ Accepts thrust through flange
- ◇ With labyrinth seals for higher temperatures
- ◇ R500 for NUTR15~NUTR1747  
R1000 for over NUTR20

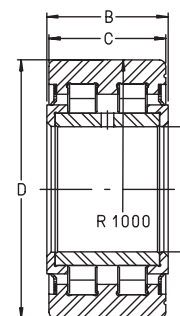


Crowned outer ring NUTR	Cylindrical outer ring NUTR-X	Dimensions(mm)							Basic load rating		Track load capacity(N)		Limiting speed rpm	Weight g
		d	D	B	C	a	rs min	r1s min	dynamic Cr(N)	static Cor(N)	Crowned outer ring	Cylindrical outer ring		
NUTR15	NUTR15X	15	35	19	18	20	0.6	0.3	23400	27200	3140	11200	5200	100
NUTR1542	NUTR1542X	15	42	19	18	20	0.6	0.3	23400	27200	3930	13900	5200	160
NUTR17	NUTR17X	17	40	21	20	22	1	0.5	25200	30900	3720	14400	4700	147
NUTR1747	NUTR1747X	17	47	21	20	22	1	0.5	25200	30900	4550	17300	4700	222
NUTR20	NUTR20X	20	47	25	24	27	1	0.5	38900	48900	7150	21000	3800	245
NUTR2052	NUTR2052X	20	52	25	24	27	1	0.5	38900	48900	8230	23200	3800	321
NUTR25	NUTR25X	25	52	25	24	31	1	0.5	43000	51000	8230	23200	3300	281
NUTR2562	NUTR2562X	25	62	25	24	31	1	0.5	43000	51000	10500	27400	3300	450
NUTR30	NUTR30X	30	62	29	28	38	1	0.5	57500	74300	10500	32000	2800	466
NUTR3072	NUTR3072X	30	72	29	28	38	1	0.5	57500	74300	12900	37200	2800	697
NUTR35	NUTR35X	35	72	29	28	44	1.1	0.6	63300	87500	12900	37200	2300	630
NUTR3580	NUTR3580X	35	80	29	28	44	1.1	0.6	63300	87500	14900	41300	2300	840
NUTR40	NUTR40X	40	80	32	30	51	1.1	0.6	86900	124600	14900	44300	1900	817
NUTR4090	NUTR4090X	40	90	32	30	51	1.1	0.6	86900	124600	17300	49800	1900	1130
NUTR45	NUTR45X	45	85	32	30	55	1.1	0.6	91700	137100	16100	47100	1700	883
NUTR45100	NUTR45100X	45	100	32	30	55	1.1	0.6	91700	137100	19840	55400	1700	1400
NUTR50	NUTR50X	50	90	32	30	60	1.1	0.6	96300	149700	17300	49800	1500	950
NUTR50110	NUTR50110X	50	110	32	30	60	1.1	0.6	96300	149700	22530	60900	1500	1690

C&H		INA		IKO		McGill		NTN	
Crowned outer ring NUTR	Cylindrical outer ring NUTR-X	Crowned outer ring NUTR	Cylindrical outer ring NUTR-X	Crowned outer ring NURT-R	Cylindrical outer ring NURT	Crowned outer ring MCRYD	Cylindrical outer ring MCRYD-X	Crowned outer ring NUTR	Cylindrical outer ring NUTR-X
NUTR15	NUTR15X	NUTR15	NUTR15X	NURT15R	NURT15	MCRYD15	MCRYD15X	NUTR202	NUTR202X
NUTR1542	NUTR1542X	NUTR1542	NUTR1542X	NURT15-1R	NURT15-1			NUTR303	NUTR303X
NUTR17	NUTR17X	NUTR17	NUTR17X	NURT17R	NURT17	MCRYD17	MCRYD17X	NUTR203	NUTR203X
NUTR1747	NUTR1747X	NUTR1747	NUTR1747X	NURT17-1R	NURT17-1			NUTR303	NUTR303X
NUTR20	NUTR20X	NUTR20	NUTR20X	NURT20R	NURT20	MCRYD20	MCRYD20X	NUTR204	NUTR204X
NUTR2052	NUTR2052X	NUTR2052	NUTR2052X	NURT20-1R	NURT20-1			NUTR304	NUTR304X
NUTR25	NUTR25X	NUTR25	NUTR25X	NURT25R	NURT25	MCRYD25	MCRYD25X	NUTR205	NUTR205X
NUTR2562	NUTR2562X	NUTR2562	NUTR2562X	NURT25-1R	NURT25-1			NUTR305	NUTR305X
NUTR30	NUTR30X	NUTR30	NUTR30X	NURT30R	NURT30	MCRYD30	MCRYD30X	NUTR206	NUTR206X
NUTR3072	NUTR3072X	NUTR3072	NUTR3072X	NURT30-1R	NURT30-1			NUTR306	NUTR306X
NUTR35	NUTR35X	NUTR35	NUTR35X	NURT35R	NURT35	MCRYD35	MCRYD35X	NUTR207	NUTR207X
NUTR3580	NUTR3580X	NUTR3580	NUTR3580X	NURT35-1R	NURT35-1			NUTR307	NUTR307X
NUTR40	NUTR40X	NUTR40	NUTR40X	NURT40R	NURT40	MCRYD40	MCRYD40X	NUTR208	NUTR208X
NUTR4090	NUTR4090X	NUTR4090	NUTR4090X	NURT40-1R	NURT40-1			NUTR308	NUTR308X
NUTR45	NUTR45X	NUTR45	NUTR45X	NURT45R	NURT45	MCRYD45	MCRYD45X	NUTR209	NUTR209X
NUTR45100	NUTR45100X	NUTR45100	NUTR45100X	NURT45-1R	NURT45-1			NUTR309	NUTR309X
NUTR50	NUTR50X	NUTR50	NUTR50X	NURT50R	NURT50	MCRYD50	MCRYD50X	NUTR210	NUTR210X
NUTR50110	NUTR50110X	NUTR50110	NUTR50110X	NURT50-1R	NURT50-1			NUTR310	NUTR310X

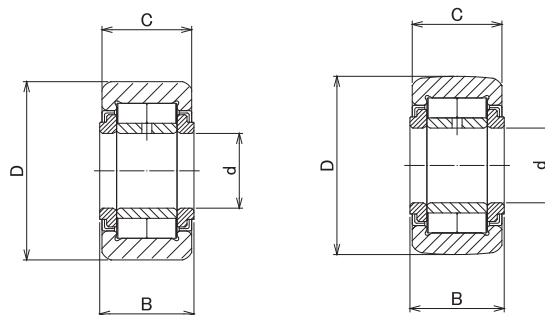
## Heavy duty - PWTR

- ◇ Full and double row cylindrical roller design
- ◇ Accepts thrust through flange
- ◇ Available with cylindrical O.D.-suffix " X "
- ◇ Sealed



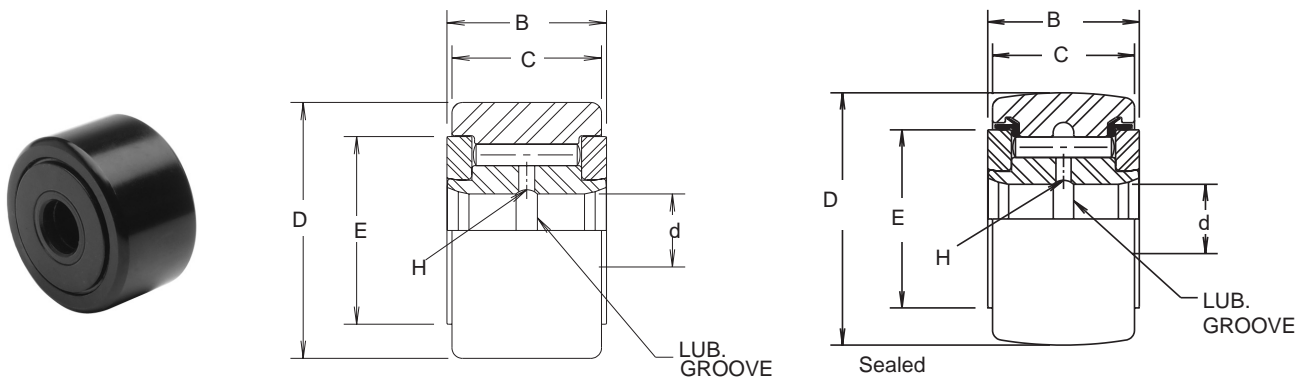
C&H	d	D	B	C	Cr	Cor	Max speed	Mass	Interchange
	mm	mm	mm	mm	N	N	rpm min-1	kg	INA,SKF,CR
PWTR15.2RS	15	35	19	18	11900	14600	6000	0.099	PWTR15.2RS
PWTR1542.2RS	15	42	19	18	13900	15200	6000	0.158	PWTR1542.2RS
PWTR17.2RS	17	40	21	20	13600	17200	5000	0.147	PWTR17.2RS
PWTR1747.2RS	17	47	21	20	15100	17200	5000	0.22	PWTR1747.2RS
PWTR20.2RS	20	47	25	24	23800	30500	3800	0.245	PWTR20.2RS
PWTR2052.2RS	20	52	25	24	26000	34000	3800	0.321	PWTR2052.2RS
PWTR25.2RS	25	52	25	24	24600	33000	3800	0.281	PWTR25.2RS
PWTR2562.2RS	25	62	25	24	29000	40500	3800	0.45	PWTR2562.2RS
PWTR30.2RS	30	62	29	28	34000	45500	2200	0.465	PWTR30.2RS
PWTR3072.2RS	30	72	29	28	40000	54000	2200	0.697	PWTR3072.2RS
PWTR35.2RS	35	72	29	28	38000	54000	1800	0.63	PWTR35.2RS
PWTR3580.2RS	35	80	29	28	42500	64000	1800	0.836	PWTR3580.2RS
PWTR40.2RS	40	80	32	30	43500	61000	1500	0.816	PWTR40.2RS
PWTR4090.2RS	40	90	32	30	51000	75000	1500	1.129	PWTR4090.2RS
PWTR45.2RS	45	85	32	30	44500	63000	1300	0.883	PWTR45.2RS
PWTR45100.2RS	45	100	32	30	55000	85000	1300	1.396	PWTR45100.2RS
PWTR50.2RS	50	90	32	30	44500	66000	1100	0.95	PWTR50.2RS
PWTR50110.2RS	50	110	32	30	58000	94000	1100	1.69	PWTR50110.2RS

- ◇ Full and double row cylindrical roller design
- ◇ Accepts thrust through flange
- ◇ With low cap shields for oil mist -Suffix " ZZ "
- ◇ With contact seals for grease lubrication -suffix " 2ZL "
- ◇ Available with cylindrical O.D.-suffix " X "



C&H two low cap shields	C&H two contact seals	Dimensions (mm)					N.W. ≈kg	Interchange	
		d	D	B	C	R		INA	CR
NNTR50X130X65-ZZ	NNTR50X130X65-2ZL	50	130	65	63	10000	5.2	NNTR50X130X65-2ZL	RSU 50-130
NNTR55X140X70-ZZ	NNTR55X140X70-2ZL	55	140	70	68	10000	6.4	NNTR55X140X70-2ZL	RSU 55-140
NNTR60X150X75-ZZ	NNTR60X150X75-2ZL	60	150	75	73	10000	7.8	NNTR60X150X75-2ZL	RSU 60-150
NNTR65X160X75-ZZ	NNTR65X160X75-2ZL	65	160	75	73	10000	8.8	NNTR65X160X75-2ZL	RSU 65-160
NNTR70X180X85-ZZ	NNTR70X180X85-2ZL	70	180	85	83	10000	13	NNTR70X180X85-2ZL	RSU 70-180
NNTR80X200X90-ZZ	NNTR80X200X90-2ZL	80	200	90	88	10000	16.8	NNTR80X200X90-2ZL	RSU 80-200
NNTR90X220X100-ZZ	NNTR90X220X100-2ZL	90	220	100	98	10000	22.5	NNTR90X220X100-2ZL	RSU 90-220
NNTR100X240X105-ZZ	NNTR100X240X105-2ZL	100	240	105	103	10000	28	NNTR100X240X105-2ZL	RSU 100-240
NNTR110X260X115-ZZ	NNTR110X260X115-2ZL	110	260	115	113	10000	35.6	NNTR110X260X115-2ZL	RSU 110-260
NNTR120X290X135-ZZ	NNTR120X290X135-2ZL	120	290	135	133	15000	52.8	NNTR120X290X135-2ZL	RSU 120-290
NNTR130X310X146-ZZ	NNTR130X310X146-2ZL	130	310	146	144	15000	65.2	NNTR130X310X146-2ZL	RSU 130-310
NNTR140X340X162-ZZ	NNTR140X340X162-2ZL	140	340	162	160	15000	87.2	NNTR140X340X162-2ZL	RSU 140-340
NNTR150X360X173-ZZ	NNTR150X360X173-2ZL	150	360	173	171	15000	104	NNTR150X360X173-2ZL	RSU 150-360

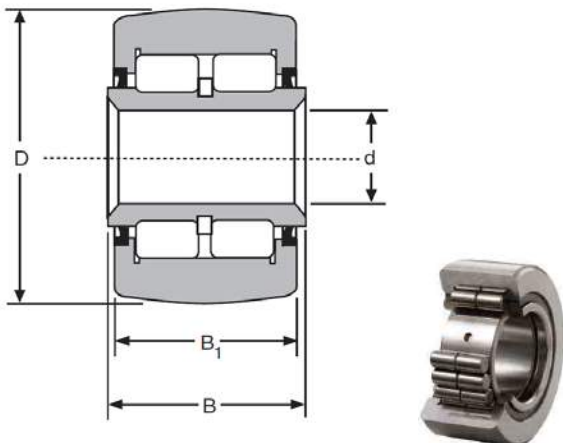
INCH- CYR, CYR-S & CCYR-S series



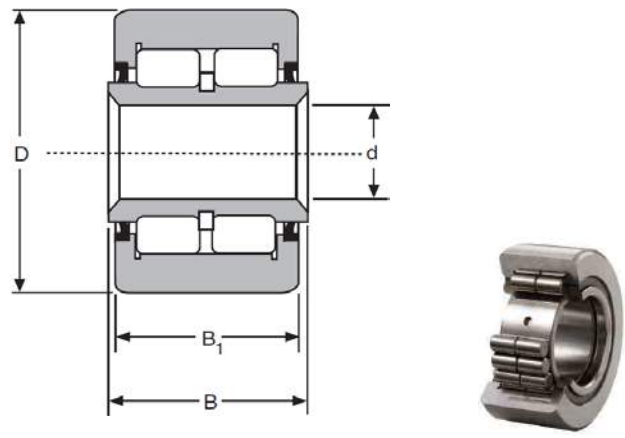
C&H	Dimensions(mm)				N.W. ≈kg	Interchange				
	d	D	B	B1		INA	McGill	RBC	Smith	Torrington
CYR- 3/4	6.35	19.05	14.2875	12.7	0.027	RF-12	CYR- 3/4	Y24	YR- 3/4	YCRS-12
CYR- 7/8	6.35	22.225	14.2875	12.7	0.036	RF-14	CYR- 7/8	Y28	YR- 7/8	YCRS-14
CYR-1	7.9375	25.4	17.4625	15.875	0.0675	RF-16	CYR-1	Y32	YR-1	YCRS-16
CYR-1 1/8	7.9375	28.575	17.4625	15.875	0.0765	RF-18	CYR-1 1/8	Y36	YR-1 1/8	YCRS-18
CYR-1 1/4	9.525	31.75	20.6375	19.05	0.108	RF-20	CYR-1 1/4	Y40	YR-1 1/4	YCRS-20
CYR-1 3/8	9.525	34.925	20.6375	19.05	0.135	RF-22	CYR-1 3/8	Y44	YR-1 3/8	YCRS-22
CYR-1 1/2	11.1125	38.1	23.8125	22.225	0.1845	RF-24	CYR-1 1/2	Y48	YR-1 1/2	YCRS-24
CYR-1 5/8	11.1125	41.275	23.8125	22.225	0.225	RF-26	CYR-1 5/8	Y52	YR-1 5/8	YCRS-26
CYR-1 3/4	12.7	44.45	26.9875	25.4	0.288	RF-28	CYR-1 3/4	Y56	YR-1 3/4	YCRS-28
CYR-1 7/8	12.7	47.625	26.9875	25.4	0.36	RF-30	CYR-1 7/8	Y60	YR-1 7/8	YCRS-30
CYR-2	15.875	50.8	33.3375	31.75	0.4725	RF-32	CYR-2	Y64	YR-2	YCRS-32
CYR-2 1/4	15.875	57.15	33.3375	31.75	0.594	RF-36	CYR-2 1/4	Y72	YR-2 1/4	YCRS-36
CYR-2 1/2	19.05	63.5	39.6875	38.1	0.81	RF-40	CYR-2 1/2	Y80	YR-2 1/2	YCRS-40
CYR-2 3/4	19.05	69.85	39.6875	38.1	1.0125	RF-44	CYR-2 3/4	Y88	YR-2 3/4	YCRS-44
CYR-3	25.4	76.2	46.0375	44.45	1.395	RF-48	CYR-3	Y96	YR-3	YCRS-48
CYR-3 1/4	25.4	82.55	46.0375	44.45	1.629	RF-52	CYR-3 1/4	Y104	YR-3 1/4	YCRS-52
CYR-3 1/2	28.575	88.9	52.3875	50.8	2.2275	RF-56	CYR-3 1/2	Y112	YR-3 1/2	YCRS-56
CYR-4	31.75	101.6	58.7375	57.15	3.1725	RF-64	CYR-4	Y128	YR-4	YCRS-64
CYR-5	44.45	127	73.025	69.85	5.94		CYR-5	Y160	YR-5	YCRS-80
CYR-6	57.15	152.4	85.725	82.55	9.855		CYR-6	Y192	YR-6	YCRS-96
CYR-7	69.85	177.8	98.425	95.25	15.255		CYR-7	Y224		

Interchange							
Type	C&H	Carter	INA	McGill	RBC	Smith	Torrington
Cylindrical OD,without seal	CYR-3/4		RF-12	CYR-3/4	Y24	YR-3/4	YCR-12
Cylindrical OD,with seal	CYR-3/4-S		R12PP	CYR-3/4-S	Y24L	YR-3/4-X	YCRS-12
Crowned OD, without seal	CCYR-3/4		RF12Y	CCYR-3/4		YR-3/4-C	CYCR-12
Crowned OD, with seal	CCYR-3/4-S		PR12PPY	CCYR-3/4-S	CY...L	YR-3/4-XC	CYCRS-12
Stainless steel,Cylindrical,with seal	CYR-3/4-SCR	SY-24-S		CYR-3/4-SCR		YR-3/4-X-SS	
Cylindrical, bushing instead of roller	BCYR-3/4	NYR-24-A		BCYR-3/4		BYR-3/4	
Cylindrical, bushing instead of roller,sealed	BCYR-3/4-S	NYR-24-AS		BCYR-3/4-S		BYR-3/4-X	

INCH -HEAVY DUTY - YCRSR... / YCRSCR



YCRSR  
CROWNED O.D.



YCRSCR  
CYLINDRICAL O.D.

C&H	Dimensions(mm)				N.W. ≈kg	RBC
	d	D	B1	B		
YCRSR-16	7.923	25.4	15.875	17.577	0.052	RBV 1
YCRSR-18	7.923	28.575	15.875	17.577	0.068	RBV 1 1/8
YCRSR-20	9.525	31.75	19.05	20.625	0.105	RBV 1 1/4
YCRSR-22	9.525	34.925	19.05	20.625	0.127	RBV 1 3/8
YCRSR-24	11.01	38.1	22.225	23.8	0.169	RBV 1 1/2
YCRSR-26	11.01	41.275	22.225	23.8	0.2	RBV 1 5/8
YCRSR-28	12.7	44.45	25.4	26.975	0.26	RBV 1 3/4
YCRSR-30	12.7	47.625	25.4	26.975	0.31	RBV 1 7/8
YCRSR-32	15.875	50.8	31.75	33.325	0.42	RBV 2
YCRSR-36	15.875	57.15	31.75	33.325	0.55	RBV 2 1/4
YCRSR-40	19.05	63.5	38.1	39.675	0.79	RBV 2 1/2
YCRSR-44	19.05	69.85	38.1	39.675	0.98	RBV 2 3/4
YCRSR-48	25.4	76.2	44.45	46.025	1.31	RBV 3
YCRSR-52	25.4	82.55	44.45	46.025	1.56	RBV 3 1/4
YCRSR-56	28.575	88.9	50.8	52.375	2.05	RBV 3 1/2
YCRSR-64	31.75	101.6	57.15	58.725	3.02	RBV 4
YCRSR-80	44.45	127	69.85	73.025	5.59	RBV 5
YCRSR-96	57.15	152.4	82.55	85.725	9.37	RBV 6
YCRSR-112	57.785	177.8	95.25	98.425	14.46	RBV 7
YCRSR-128	82.55	203.2	107.95	114.3	21.15	RBV 8
YCRSR-144	95.25	228.6	120.65	127	29.57	RBV 9
YCRSR-160	107.95	254	133.35	139.7	40.04	RBV 10

C&H	Dimensions(mm)				N.W. ≈kg	RBC
	d	D	B1	B		
YCRSCR-16	7.923	25.4	15.875	17.577	0.052	CRBY 1
YCRSCR-18	7.923	28.575	15.875	17.577	0.068	CRBY 1 1/8
YCRSCR-20	9.525	31.75	19.05	20.625	0.105	CRBY 1 1/4
YCRSCR-22	9.525	34.925	19.05	20.625	0.127	CRBY 1 3/8
YCRSCR-24	11.01	38.1	22.225	23.8	0.169	CRBY 1 1/2
YCRSCR-26	11.01	41.275	22.225	23.8	0.2	CRBY 1 5/8
YCRSCR-28	12.7	44.45	25.4	26.975	0.26	CRBY 1 3/4
YCRSCR-30	12.7	47.625	25.4	26.975	0.31	CRBY 1 7/8
YCRSCR-32	15.875	50.8	31.75	33.325	0.42	CRBY 2
YCRSCR-36	15.875	57.15	31.75	33.325	0.55	CRBY 2 1/4
YCRSCR-40	19.05	63.5	38.1	39.675	0.79	CRBY 2 1/2
YCRSCR-44	19.05	69.85	38.1	39.675	0.98	CRBY 2 3/4
YCRSCR-48	25.4	76.2	44.45	46.025	1.31	CRBY 3
YCRSCR-52	25.4	82.55	44.45	46.025	1.56	CRBY 3 1/4
YCRSCR-56	28.575	88.9	50.8	52.375	2.05	CRBY 3 1/2
YCRSCR-64	31.75	101.6	57.15	58.725	3.02	CRBY 4
YCRSCR-80	44.45	127	69.85	73.025	5.59	CRBY 5
YCRSCR-96	57.15	152.4	82.55	85.725	9.37	CRBY 6
YCRSCR-112	57.785	177.8	95.25	98.425	14.46	CRBY 7
YCRSCR-128	82.55	203.2	107.95	114.3	21.15	CRBY 8
YCRSCR-144	95.25	228.6	120.65	127	29.57	CRBY 9
YCRSCR-160	107.95	254	133.35	139.7	40.04	CRBY 10