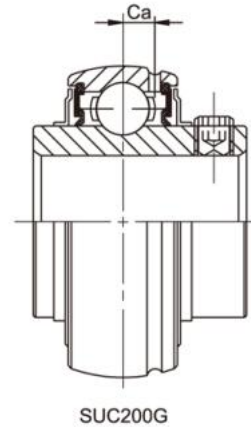
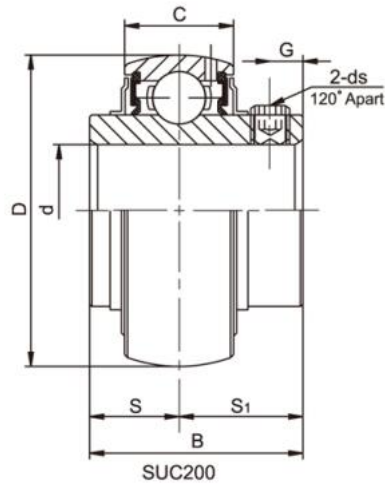


Stainless Steel Bearing Inserts With Setscrew Locking SUC2 SUC2...L3



Standard duty, Stainless steel, Wider inner ring, Setscrew locking



SL TYPE SEAL



TJ TYPE SEAL



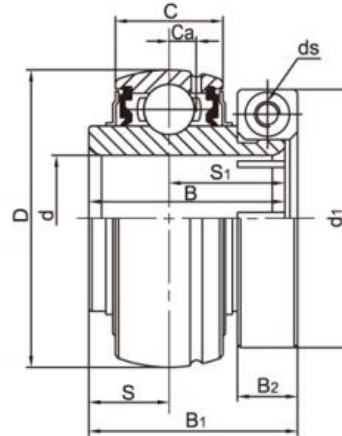
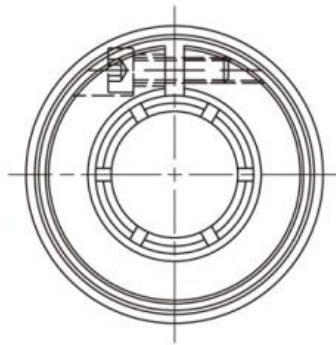
L3 TYPE SEAL

Bearing No..	Shaft Dia		Dimensions (mm)								Load rating (KN)		Weight (kg)	
	d		D	B	C	S	S1	G	ds		Ca	Dynamic		Static
	(in)	(mm)							(mm)	(in.UNF)		Cr		Cor
SUC201		12	47	31	17	12.7	18.3	5	M6x1		4.3	9.55	4.78	0.21
SUC201-8	1/2		47	31	17	12.7	18.3	5		1/4-28	4.3	9.55	4.78	0.21
SUC202		15	47	31	17	12.7	18.3	5	M6x1		4.3	9.55	4.78	0.19
SUC202-9	9/16		47	31	17	12.7	18.3	5		1/4-28	4.3	9.55	4.78	0.19
SUC202-10	5/8		47	31	17	12.7	18.3	5		1/4-28	4.3	9.55	4.78	0.19
SUC203		17	47	31	17	12.7	18.3	5	M6x1		4.3	9.55	4.78	0.18
SUC203-11	11/16		47	31	17	12.7	18.3	5		1/4-28	4.3	9.55	4.78	0.18
SUC204		20	47	31	17	12.7	18.3	5	M6x1		4.3	12.82	6.65	0.16
SUC204-12	3/4		47	31	17	12.7	18.3	5		1/4-28	4.3	12.82	6.65	0.16
SUC205		25	52	34.1	17	14.3	19.8	5.4	M6x1		4.2	14.03	8.05	0.18
SUC205-13	13/16		52	34.1	17	14.3	19.8	5.4		1/4-28	4.2	14.03	8.05	0.18
SUC205-14	7/8		52	34.1	17	14.3	19.8	5.4		1/4-28	4.2	14.03	8.05	0.18
SUC205-15	15/16		52	34.1	17	14.3	19.8	5.4		1/4-28	4.2	14.03	8.05	0.18
SUC205-16	1		52	34.1	17	14.3	19.8	5.4		1/4-28	4.2	14.03	8.05	0.18
SUC206		30	62	38.1	19	15.9	22.2	5.5	M6x1		5.3	19.47	11.43	0.33
SUC206-17	1-1/16		62	38.1	19	15.9	22.2	5.5		1/4-28	5.3	19.47	11.43	0.33
SUC206-18	1-1/8		62	38.1	19	15.9	22.2	5.5		1/4-28	5.3	19.47	11.43	0.33
SUC206-19	1-3/16		62	38.1	19	15.9	22.2	5.5		1/4-28	5.3	19.47	11.43	0.33
SUC206-20	1-1/4		62	38.1	19	15.9	22.2	5.5		1/4-28	5.3	19.47	11.43	0.33
SUC207		35	72	42.9	20	17.5	25.4	6.9	M8x1		5.8	25.69	15.55	0.49
SUC207-20	1-1/4		72	42.9	20	17.5	25.4	6.9		5/16-24	5.8	25.69	15.55	0.49
SUC207-21	1-5/16		72	42.9	20	17.5	25.4	6.9		5/16-24	5.8	25.69	15.55	0.49
SUC207-22	1-3/8		72	42.9	20	17.5	25.4	6.9		5/16-24	5.8	25.69	15.55	0.49
SUC207-23	1-7/16		72	42.9	20	17.5	25.4	6.9		5/16-24	5.8	25.69	15.55	0.49
SUC208		40	80	49.2	21	19	30.2	8	M8x1		6.2	29.51	18.14	0.65
SUC208-24	1-1/2		80	49.2	21	19	30.2	8		5/16-24	6.2	29.51	18.14	0.65
SUC208-25	1-9/16		80	49.2	21	19	30.2	8		5/16-24	6.2	29.51	18.14	0.65
SUC209		45	85	49.2	22	19	30.2	8	M8x1		6.5	31.85	20.8	0.71
SUC209-26	1-5/8		85	49.2	22	19	30.2	8		5/16-24	6.5	31.85	20.8	0.71
SUC209-27	1-11/16		85	49.2	22	19	30.2	8		5/16-24	6.5	31.85	20.8	0.71
SUC209-28	1-3/4		85	49.2	22	19	30.2	8		5/16-24	6.5	31.85	20.8	0.71
SUC210		50	90	51.6	24	19	32.6	10	M10x1.25		7	34.99	23.7	0.8
SUC210-30	1-7/8		90	51.6	24	19	32.6	10		3/8-24	7	34.99	23.7	0.8
SUC210-31	1-15/16		90	51.6	24	19	32.6	10		3/8-24	7	34.99	23.7	0.8
SUC210-32	2		90	51.6	24	19	32.6	10		3/8-24	7	34.99	23.7	0.8
SUC211		55	100	55.6	25	22.2	33.4	10	M10x1.25		7.4	43.34	29.39	1.08
SUC211-32	2		100	55.6	25	22.2	33.4	10		3/8-24	7.4	43.34	29.39	1.08
SUC211-33	2-1/16		100	55.6	25	22.2	33.4	10		3/8-24	7.4	43.34	29.39	1.08
SUC211-34	2-1/8		100	55.6	25	22.2	33.4	10		3/8-24	7.4	43.34	29.39	1.08
SUC211-35	2-3/16		100	55.6	25	22.2	33.4	10		3/8-24	7.4	43.34	29.39	1.08
SUC212		60	110	65.1	27	25.4	39.7	10	M10x1.25		7.6	47.68	33.430	1.51
SUC212-36	2-1/4		110	65.1	27	25.4	39.7	10		3/8-24	7.6	47.68	33.430	1.51
SUC212-37	2-5/16		110	65.1	27	25.4	39.7	10		3/8-24	7.6	47.68	33.430	1.51
SUC212-38	2-3/8		110	65.1	27	25.4	39.7	10		3/8-24	7.6	47.68	33.430	1.51
SUC212-39	2-7/16		110	65.1	27	25.4	39.7	10		3/8-24	7.6	47.68	33.430	1.51

Stainless Steel Bearing Inserts With Concentric Locking SUE2



Standard duty, Stainless steel, Wider inner ring, Concentric locking



SL TYPE SEAL



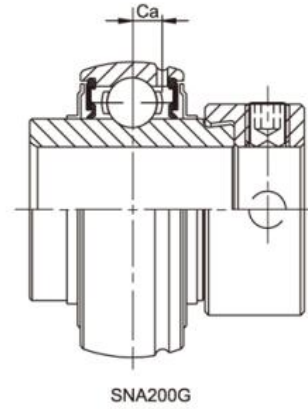
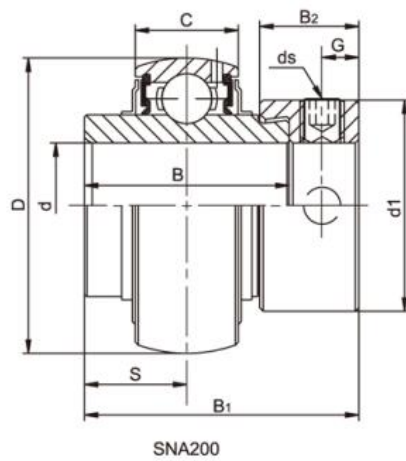
TJ TYPE SEAL

Bearing No.	Shaft Dia		Dimensions (mm)										Load rating (KN)		Weight (kg)
	d		D	B	C	S	S1	B1	B2	d1	ds	Ca	Dynamic	Static	
	(in)	(mm)											Cr	Cor	
SUE204		20	47	31	17	12.7	18.3	33	9.5	40.8	M4X0.7	4.3	12.82	6.65	0.18
SUE204-12	3/4		47	31	17	12.7	18.3	33	9.5	40.8	M4X0.7	4.3	12.82	6.65	0.18
SUE205		25	52	34.1	17	14.3	19.8	35.4	9.5	49	M4x0.7	4	14.03	8.05	0.21
SUE205-13	13/16		52	34.1	17	14.3	19.8	35.4	9.5	49	M4x0.7	4	14.03	8.05	0.21
SUE205-14	7/8		52	34.1	17	14.3	19.8	35.4	9.5	49	M4x0.7	4	14.03	8.05	0.21
SUE205-15	15/16		52	34.1	17	14.3	19.8	35.4	9.5	49	M4x0.7	4	14.03	8.05	0.21
SUE205-16	1		52	34.1	17	14.3	19.8	35.4	9.5	49	M4x0.7	4	14.03	8.05	0.21
SUE206		30	62	38.1	19	15.9	22.2	39.8	9.5	55.5	M4x0.7	5.3	19.47	11.43	0.33
SUE206-17	1-1/16		62	38.1	19	15.9	22.2	39.8	9.5	55.5	M4x0.7	5.3	19.47	11.43	0.33
SUE206-18	1-1/8		62	38.1	19	15.9	22.2	39.8	9.5	55.5	M4x0.7	5.3	19.47	11.43	0.33
SUE206-19	1-3/16		62	38.1	19	15.9	22.2	39.8	9.5	55.5	M4x0.7	5.3	19.47	11.43	0.33
SUE206-20	1-1/4		62	38.1	19	15.9	22.2	39.8	9.5	55.5	M4x0.7	5.3	19.47	11.43	0.33
SUE207		35	72	42.9	20	17.5	25.4	43.9	11	64	M5X0.8	5.8	25.69	15.55	0.51
SUE207-20	1-1/4		72	42.9	20	17.5	25.4	43.9	11	64	M5X0.8	5.8	25.69	15.55	0.51
SUE207-21	1-5/16		72	42.9	20	17.5	25.4	43.9	11	64	M5X0.8	5.8	25.69	15.55	0.51
SUE207-22	1-3/8		72	42.9	20	17.5	25.4	43.9	11	64	M5X0.8	5.8	25.69	15.55	0.51
SUE207-23	1-7/16		72	42.9	20	17.5	25.4	43.9	11	64	M5X0.8	5.8	25.69	15.55	0.51
SUE208		40	80	49.2	21	19	30.2	50.2	11	68	M5X0.8	6.2	29.51	18.14	0.68
SUE208-24	1-1/2		80	49.2	21	19	30.2	50.2	11	68	M5X0.8	6.2	29.51	18.14	0.68
SUE208-25	1-9/16		80	49.2	21	19	30.2	50.2	11	68	M5X0.8	6.2	29.51	18.14	0.68
SUE209		45	85	49.2	22	19	30.2	50.2	11	74	M5X0.8	6.5	31.85	20.8	0.78
SUE209-26	1-5/8		85	49.2	22	19	30.2	50.2	11	74	M5X0.8	6.5	31.85	20.8	0.78
SUE209-27	1-11/16		85	49.2	22	19	30.2	50.2	11	74	M5X0.8	6.5	31.85	20.8	0.78
SUE209-28	1-3/4		85	49.2	22	19	30.2	50.2	11	74	M5X0.8	6.5	31.85	20.8	0.78
SUE210		50	90	51.6	24	19	32.6	52.6	14.5	81	M6x1	7	34.99	23.7	0.85
SUE210-30	1-7/8		90	51.6	24	19	32.6	52.6	14.5	81	M6x1	7	34.99	23.7	0.85
SUE210-31	1-15/16		90	51.6	24	19	32.6	52.6	14.5	81	M6x1	7	34.99	23.7	0.85
SUE210-32	2		90	51.6	24	19	32.6	52.6	14.5	81	M6x1	7	34.99	23.7	0.85
SUE211		55	100	55.6	25	22.2	33.4	56.6	14.5	92	M6x1	7.4	43.34	29.39	1.16
SUE211-32	2		100	55.6	25	22.2	33.4	56.6	14.5	92	M6x1	7.4	43.34	29.39	1.16
SUE211-33	1-1/16		100	55.6	25	22.2	33.4	56.6	14.5	92	M6x1	7.4	43.34	29.39	1.16
SUE211-34	2-1/8		100	55.6	25	22.2	33.4	56.6	14.5	92	M6x1	7.4	43.34	29.39	1.16
SUE211-35	2-3/16		100	55.6	25	22.2	33.4	56.6	14.5	92	M6x1	7.4	43.34	29.39	1.16
SUE212		60	110	65.1	27	25.4	39.7	66.6	17.5	103	M8X1.25	7.6	47.68	33.43	1.59
SUE212-36	2-1/4		110	65.1	27	25.4	39.7	66.6	17.5	103	M8X1.25	7.6	47.68	33.43	1.59
SUE212-37	2-5/16		110	65.1	27	25.4	39.7	66.6	17.5	103	M8X1.25	7.6	47.68	33.43	1.59
SUE212-38	2-3/8		110	65.1	27	25.4	39.7	66.6	17.5	103	M8X1.25	7.6	47.68	33.43	1.59
SUE212-39	2-7/16		110	65.1	27	25.4	39.7	66.6	17.5	103	M8X1.25	7.6	47.68	33.43	1.59

Stainless Steel Bearing Inserts With Eccentric Locking SNA2 SNA2...L3



Standard duty, Stainless steel, Wider inner ring, Eccentric locking

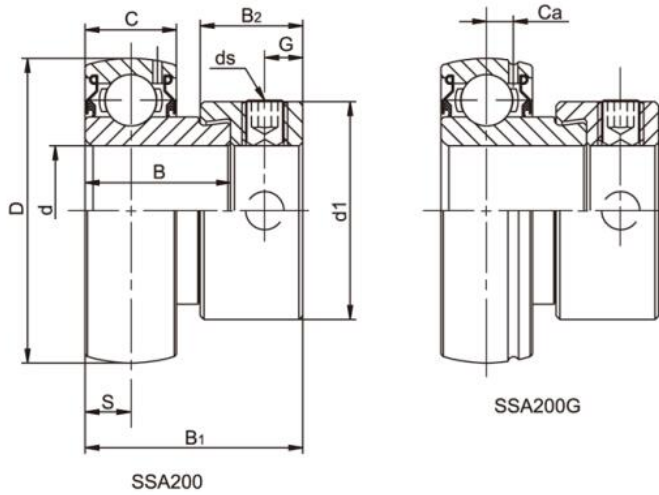


Bearing No.	Shaft Dia		Dimensions (mm)											Load rating (KN)		Weight (kg)
	d		D	B	C	S	S1	a	r	G	ds		Ca	Dynamic Cr	Static Cor	
	(in)	(mm)									(mm)	(UNF)				
SNA204		20	47	34.2	17	17.1	43.7	13.5	33.3	5	M6x1		4.3	12.82	6.65	0.21
SNA204-12	3/4		47	34.2	17	17.1	43.7	13.5	33.3	5		1/4-28	4.3	12.82	6.65	0.21
SNA205		25	52	34.9	17	17.5	44.4	13.5	38.1	5	M6x1		4.2	14.03	8.05	0.25
SNA205-13	13/16		52	34.9	17	17.5	44.4	13.5	38.1	5		1/4-28	4.2	14.03	8.05	0.25
SNA205-14	7/8		52	34.9	17	17.5	44.4	13.5	38.1	5		1/4-28	4.2	14.03	8.05	0.25
SNA205-15	15/16		52	34.9	17	17.5	44.4	13.5	38.1	5		1/4-28	4.2	14.03	8.05	0.25
SNA205-16	1		52	34.9	17	17.5	44.4	13.5	38.1	5		1/4-28	4.2	14.03	8.05	0.25
SNA206		30	62	36.5	19	18.3	48.4	15.9	44.5	6	M6x1		5.3	19.47	11.43	0.39
SNA206-17	1-1/16		62	36.5	19	18.3	48.4	15.9	44.5	6		1/4-28	5.3	19.47	11.43	0.39
SNA206-18	1-1/8		62	36.5	19	18.3	48.4	15.9	44.5	6		1/4-28	5.3	19.47	11.43	0.39
SNA206-19	1-3/16		62	36.5	19	18.3	48.4	15.9	44.5	6		1/4-28	5.3	19.47	11.43	0.39
SNA206-20	1-1/4		62	36.5	19	18.3	48.4	15.9	44.5	6		1/4-28	5.3	19.47	11.43	0.39
SNA207		35	72	37.6	20	18.8	51.1	17.5	55.6	6.5	M8x1		5.8	25.69	15.55	0.6
SNA207-20	1-1/4		72	37.6	20	18.8	51.1	17.5	55.6	6.5		5/16-24	5.8	25.69	15.55	0.6
SNA207-21	1-5/16		72	37.6	20	18.8	51.1	17.5	55.6	6.5		5/16-24	5.8	25.69	15.55	0.6
SNA207-22	1-3/8		72	37.6	20	18.8	51.1	17.5	55.6	6.5		5/16-24	5.8	25.69	15.55	0.6
SNA207-23	1-7/16		72	37.6	20	18.8	51.1	17.5	55.6	6.5		5/16-24	5.8	25.69	15.55	0.6
SNA208		40	80	42.8	21	21.4	56.3	18.3	60.3	6.5	M8x1		6.2	29.51	18.14	0.77
SNA208-24	1-1/2		80	42.8	21	21.4	56.3	18.3	60.3	6.5		5/16-24	6.2	29.51	18.14	0.77
SNA208-25	1-9/16		80	42.8	21	21.4	56.3	18.3	60.3	6.5		5/16-24	6.2	29.51	18.14	0.77
SNA209		45	85	42.8	22	21.4	56.3	18.3	63.5	6.5	M8x1		6.5	31.85	20.8	0.84
SNA209-26	1-5/8		85	42.8	22	21.4	56.3	18.3	63.5	6.5		5/16-24	6.5	31.85	20.8	0.84
SNA209-27	1-11/16		85	42.8	22	21.4	56.3	18.3	63.5	6.5		5/16-24	6.5	31.85	20.8	0.84
SNA209-28	1-3/4		85	42.8	22	21.4	56.3	18.3	63.5	6.5		5/16-24	6.5	31.85	20.8	0.84
SNA210		50	90	49.2	24	24.6	62.7	18.3	69.9	6.5	M10x1.25		7	34.99	23.7	1.02
SNA210-30	1-7/8		90	49.2	24	24.6	62.7	18.3	69.9	6.5		3/8-24	7	34.99	23.7	1.02
SNA210-31	1-15/16		90	49.2	24	24.6	62.7	18.3	69.9	6.5		3/8-24	7	34.99	23.7	1.02
SNA210-32	2		90	49.2	24	24.6	62.7	18.3	69.9	6.5		3/8-24	7	34.99	23.7	1.02
SNA211		55	100	55.5	25	27.8	71.4	20.7	76.2	8	M10x1.25		7.4	43.34	29.39	1.37
SNA211-32	2		100	55.5	25	27.8	71.4	20.7	76.2	8		3/8-24	7.4	43.34	29.39	1.37
SNA211-33	2-1/16		100	55.5	25	27.8	71.4	20.7	76.2	8		3/8-24	7.4	43.34	29.39	1.37
SNA211-34	2-1/8		100	55.5	25	27.8	71.4	20.7	76.2	8		3/8-24	7.4	43.34	29.39	1.37
SNA211-35	2-3/16		100	55.5	25	27.8	71.4	20.7	76.2	8		3/8-24	7.4	43.34	29.39	1.37
SNA212		60	110	61.9	27	31	77.8	22.3	84.2	8	M10x1.25		7.6	47.68	33.43	1.85
SNA212-36	2-1/4		110	61.9	27	31	77.8	22.3	84.2	8		3/8-24	7.6	47.68	33.43	1.85
SNA212-37	2-5/16		110	61.9	27	31	77.8	22.3	84.2	8		3/8-24	7.6	47.68	33.43	1.85
SNA212-38	2-3/8		110	61.9	27	31	77.8	22.3	84.2	8		3/8-24	7.6	47.68	33.43	1.85
SNA212-39	2-7/16		110	61.9	27	31	77.8	22.3	84.2	8		3/8-24	7.6	47.68	33.43	1.85

Stainless Steel Bearing Inserts With Eccentric Locking SSA



Standard duty, Stainless steel, Narrow inner ring, Eccentric locking



SSA200G

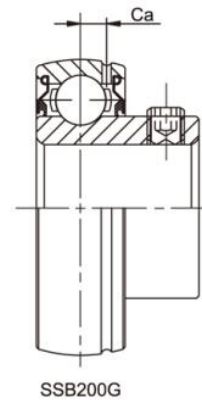
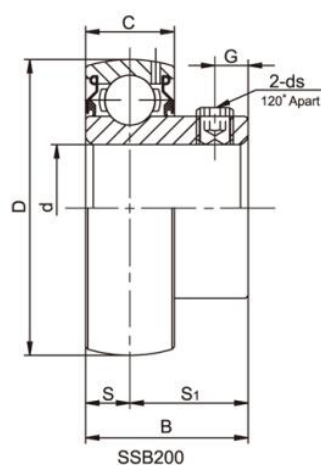
SSA200

Bearing No.	Shaft Dia		Dimensions (mm)											Load rating (KN)		Weight (kg)
	d		D	B	C	S	B1	B2	d1	G	ds		Ca	Dynamic Cr	Static Cor	
	(in)	(mm)									(mm)	(UNF)				
SSA204		20	47	21.5	14	7	31	13.5	33.3	5	M6x1		4	12.82	6.65	0.21
SSA204-12	3/4		47	21.5	14	7	31	13.5	33.3	5		1/4-28	4	12.82	6.65	0.21
SSA205		25	52	22	15	7.5	31.5	13.5	38.1	5	M6x1		4	14.03	8.05	0.25
SSA205-14	7/8		52	22	15	7.5	31.5	13.5	38.1	5		1/4-28	4	14.03	8.05	0.25
SSA205-15	15/16		52	22	15	7.5	31.5	13.5	38.1	5		1/4-28	4	14.03	8.05	0.25
SSA205-16	1		52	22	15	7.5	31.5	13.5	38.1	5		1/4-28	4	14.03	8.05	0.25
SSA206		30	62	23.8	16	8	35.7	15.9	44.5	6	M6x1		4.9	19.47	11.43	0.39
SSA206-17	1-1/16		62	23.8	16	8	35.7	15.9	44.5	6		1/4-28	4.9	19.47	11.43	0.39
SSA206-18	1-1/8		62	23.8	16	8	35.7	15.9	44.5	6		1/4-28	4.9	19.47	11.43	0.39
SSA206-19	1-3/16		62	23.8	16	8	35.7	15.9	44.5	6		1/4-28	4.9	19.47	11.43	0.39
SSA206-20	1-1/4		62	23.8	16	8	35.7	15.9	44.5	6		1/4-28	4.9	19.47	11.43	0.39
SSA207		35	72	25.4	17	8.5	38.9	17.5	55.6	6.5	M8x1		5.4	25.69	15.55	0.6
SSA207-20	1-1/4		72	25.4	17	8.5	38.9	17.5	55.6	6.5		5/16-24	5.4	25.69	15.55	0.6
SSA207-21	1-5/16		72	25.4	17	8.5	38.9	17.5	55.6	6.5		5/16-24	5.4	25.69	15.55	0.6
SSA207-22	1-3/8		72	25.4	17	8.5	38.9	17.5	55.6	6.5		5/16-24	5.4	25.69	15.55	0.6
SSA207-23	1-7/16		72	25.4	17	8.5	38.9	17.5	55.6	6.5		5/16-24	5.4	25.69	15.55	0.6
SSA208		40	80	30.2	18	9	43.7	18.3	60.3	6.5	M8x1		5.8	29.51	18.14	0.77
SSA208-24	1-1/2		80	30.2	18	9	43.7	18.3	60.3	6.5		5/16-24	5.8	29.51	18.14	0.77
SSA208-25	1-9/16		80	30.2	18	9	43.7	18.3	60.3	6.5		5/16-24	5.8	29.51	18.14	0.77
SSA209		45	85	30.2	19	9.5	43.7	18.3	63.5	6.5	M8x1		6.1	31.85	20.8	0.84
SSA209-26	1-5/8		85	30.2	19	9.5	43.7	18.3	63.5	6.5		5/16-24	6.1	31.85	20.8	0.84
SSA209-27	1-11/16		85	30.2	19	9.5	43.7	18.3	63.5	6.5		5/16-24	6.1	31.85	20.8	0.84
SSA209-28	1-3/4		85	30.2	19	9.5	43.7	18.3	63.5	6.5		5/16-24	6.1	31.85	20.8	0.84
SSA210		50	90	30.2	20	10	43.7	18.3	69.9	6.5	M10x1.25		6.5	34.99	23.7	1.02
SSA210-30	1-7/8		90	30.2	20	10	43.7	18.3	69.9	6.5		3/8-24	6.5	34.99	23.7	1.02
SSA210-31	1-15/16		90	30.2	20	10	43.7	18.3	69.9	6.5		3/8-24	6.5	34.99	23.7	1.02
SSA210-32	2		90	30.2	20	10	43.7	18.3	69.9	6.5		3/8-24	6.5	34.99	23.7	1.02
SSA211		55	100	32.5	21	10.5	48.4	20.7	76.2	8	M10x1.25		7	43.34	29.39	1.37
SSA211-32	2		100	32.5	21	10.5	48.4	20.7	76.2	8		3/8-24	7	43.34	29.39	1.37
SSA211-33	2-1/16		100	32.5	21	10.5	48.4	20.7	76.2	8		3/8-24	7	43.34	29.39	1.37
SSA211-34	2-1/8		100	32.5	21	10.5	48.4	20.7	76.2	8		3/8-24	7	43.34	29.39	1.37
SSA211-35	2-3/16		100	32.5	21	10.5	48.4	20.7	76.2	8		3/8-24	7	43.34	29.39	1.37
SSA212		60	110	37.2	22	11	53.1	22.3	84.2	8	M10x1.25		7.3	47.68	33.43	1.85
SSA212-36	2-1/4		110	37.2	22	11	53.1	22.3	84.2	8		3/8-24	7.3	47.68	33.43	1.85
SSA212-37	2-5/16		110	37.2	22	11	53.1	22.3	84.2	8		3/8-24	7.3	47.68	33.43	1.85
SSA212-38	2-3/8		110	37.2	22	11	53.1	22.3	84.2	8		3/8-24	7.3	47.68	33.43	1.85
SSA212-39	2-7/16		110	37.2	22	11	53.1	22.3	84.2	8		3/8-24	7.3	47.68	33.43	1.85

Stainless Steel Bearing Inserts With Setscrew Locking SSB2



Standard duty, Stainless steel, Narrow inner ring, Setscrew locking

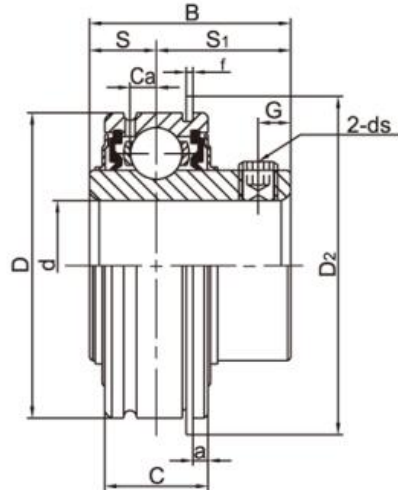


Bearing No.	Shaft Dia		Dimensions (mm)								Load rating (KN)		Weight (kg)	
	d		D	B	C	S	S1	G	ds		Ca	Dynamic		Static
	(in)	(mm)							(mm)	(in.UNF)		Cr		Cor
SSB204		20	47	25	14	7	18	5	M6x1		4	12.82	6.65	0.12
SSB204-12	3/4		47	25	14	7	18	5		1/4-28	4	12.82	6.65	0.12
SSB205		25	52	27	15	7.5	19.5	5.5	M6x1		4	14.03	8.05	0.18
SSB205-13	13/16		52	27	15	7.5	19.5	5.5		1/4-28	4	14.03	8.05	0.18
SSB205-14	7/8		52	27	15	7.5	19.5	5.5		1/4-28	4	14.03	8.05	0.18
SSB205-15	15/16		52	27	15	7.5	19.5	5.5		1/4-28	4	14.03	8.05	0.18
SSB205-16	1		52	27	15	7.5	19.5	5.5		1/4-28	4	14.03	8.05	0.18
SSB206		30	62	30	16	8	22	5.9	M6x1		4.9	19.47	11.43	0.26
SSB206-17	1-1/16		62	30	16	8	22	5.9		1/4-28	4.9	19.47	11.43	0.26
SSB206-18	1-1/8		62	30	16	8	22	5.9		1/4-28	4.9	19.47	11.43	0.26
SSB206-19	1-3/16		62	30	16	8	22	5.9		1/4-28	4.9	19.47	11.43	0.26
SSB206-20	1-1/4		62	30	16	8	22	5.9		1/4-28	4.9	19.47	11.43	0.26
SSB207		35	72	32	17	8.5	23.5	8	M8x1		5.4	25.69	15.55	0.43
SSB207-20	1-1/4		72	32	17	8.5	23.5	8		5/16-24	5.4	25.69	15.55	0.43
SSB207-21	1-5/16		72	32	17	8.5	23.5	8		5/16-24	5.4	25.69	15.55	0.43
SSB207-22	1-3/8		72	32	17	8.5	23.5	8		5/16-24	5.4	25.69	15.55	0.43
SSB207-23	1-7/16		72	32	17	8.5	23.5	8		5/16-24	5.4	25.69	15.55	0.43
SSB208		40	80	34	18	9	25	8	M8x1		5.8	29.51	18.14	0.6
SSB208-24	1-1/2		80	34	18	9	25	8		5/16-24	5.8	29.51	18.14	0.6
SSB208-25	1-9/16		80	34	18	9	25	8		5/16-24	5.8	29.51	18.14	0.6
SSB209		45	85	36	19	9.5	26.5	8	M8x1		6.1	31.85	20.8	0.8
SSB209-26	1-5/8		85	36	19	9.5	26.5	8		5/16-24	6.1	31.85	20.8	0.8
SSB209-27	1-11/16		85	36	19	9.5	26.5	8		5/16-24	6.1	31.85	20.8	0.8
SSB209-28	1-3/4		85	36	19	9.5	26.5	8		5/16-24	6.1	31.85	20.8	0.8
SSB210		50	90	38	20	10	28	10	M10x1.25		6.5	34.99	23.7	0.83
SSB210-30	1-7/8		90	38	20	10	28	10		3/8-24	6.5	34.99	23.7	0.83
SSB210-31	1-15/16		90	38	20	10	28	10		3/8-24	6.5	34.99	23.7	0.83
SSB210-32	2		90	38	20	10	28	10		3/8-24	6.5	34.99	23.7	0.83
SSB211		55	100	40	21	10.5	29.5	10	M10x1.25		7	43.34	29.39	1.12
SSB211-32	2		100	40	21	10.5	29.5	10		3/8-24	7	43.34	29.39	1.12
SSB211-33	2-1/16		100	40	21	10.5	29.5	10		3/8-24	7	43.34	29.39	1.12
SSB211-34	2-1/8		100	40	21	10.5	29.5	10		3/8-24	7	43.34	29.39	1.12
SSB211-35	2-3/16		100	40	21	10.5	29.5	10		3/8-24	7	43.34	29.39	1.12
SSB212		60	110	42	22	11	31	10	M10x1.25		7.3	47.68	33.43	1.55
SSB212-36	2-1/4		110	42	22	11	31	10		3/8-24	7.3	47.68	33.43	1.55
SSB212-37	2-5/16		110	42	22	11	31	10		3/8-24	7.3	47.68	33.43	1.55
SSB212-38	2-3/8		110	42	22	11	31	10		3/8-24	7.3	47.68	33.43	1.55
SSB212-39	2-7/16		110	42	22	11	31	10		3/8-24	7.3	47.68	33.43	1.55

Stainless Steel Bearing Inserts With Setscrew Locking SSER



Standard duty, Stainless steel, With cylindrical outer ring and snap ring, Setscrew locking

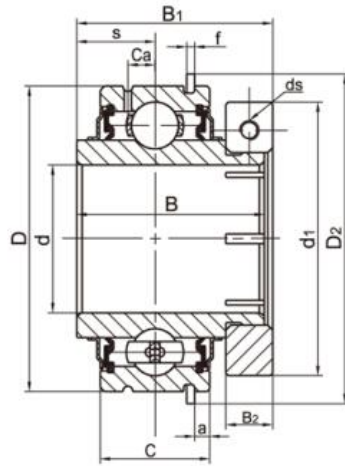
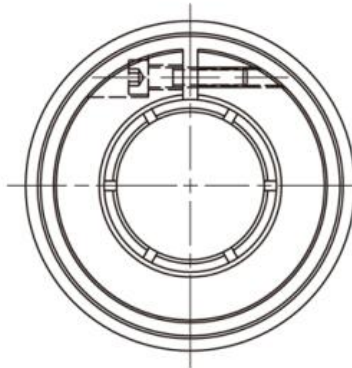


Bearing No.	Shaft Dia		Dimensions (mm)											Load rating (KN)		Weight (kg)	
	d		D	B	C	S	S1	a	r	D2 (Max.)	G	ds		Ca	Dynamic		Static
	(in)	(mm)										(mm)	(UNF)		Cr		Cor
SSER201		12	47	31	15.9	11.5	19.5	2.46	1.07	52.7	5	M6X0.75		3.95	12.8	6.6	0.27
SSER201-8	1/2		47	31	15.9	11.5	19.5	2.46	1.07	52.7	5		1/4-28	3.95	12.8	6.6	0.27
SSER202		15	47	31	15.9	11.5	19.5	2.46	1.07	52.7	5	M6X0.75		3.95	12.8	6.6	0.25
SSER202-9	9/16		47	31	15.9	11.5	19.5	2.46	1.07	52.7	5		1/4-28	3.95	12.8	6.6	0.25
SSER202-10	5/8		47	31	15.9	11.5	19.5	2.46	1.07	52.7	5		1/4-28	3.95	12.8	6.6	0.25
SSER203		17	47	31	15.9	11.5	19.5	2.46	1.07	52.7	5	M6X0.75		3.95	12.8	6.6	0.23
SSER203-11	11/16		47	31	15.9	11.5	19.5	2.46	1.07	52.7	5		1/4-28	3.95	12.8	6.6	0.23
SSER204		20	47	31	15.9	11.5	19.5	2.46	1.07	52.7	5	M6X0.75		3.95	12.8	6.6	0.22
SSER204-12	3/4		47	31	15.9	11.5	19.5	2.46	1.07	52.7	5		1/4-28	3.95	12.8	6.6	0.22
SSER205		25	52	34.9	19.1	13.1	21.8	2.46	1.07	57.9	5	M6X0.75		4.35	14	7.8	0.28
SSER205-13	13/16		52	34.9	19.1	13.1	21.8	2.46	1.07	57.9	5		1/4-28	4.35	14	7.8	0.28
SSER205-14	7/8		52	34.9	19.1	13.1	21.8	2.46	1.07	57.9	5		1/4-28	4.35	14	7.8	0.28
SSER205-15	15/16		52	34.9	19.1	13.1	21.8	2.46	1.07	57.9	5		1/4-28	4.35	14	7.8	0.28
SSER205-16	1		52	34.9	19.1	13.1	21.8	2.46	1.07	57.9	5		1/4-28	4.35	14	7.8	0.28
SSER206		30	62	38.1	22.2	15.9	22.2	3.18	1.65	67.7	5	M6X0.75		4.35	19.5	11.2	0.38
SSER206-17	1-1/16		62	38.1	22.2	15.9	22.2	3.18	1.65	67.7	5		1/4-28	4.35	19.5	11.2	0.38
SSER206-18	1-1/8		62	38.1	22.2	15.9	22.2	3.18	1.65	67.7	5		1/4-28	4.35	19.5	11.2	0.38
SSER206-19	1-3/16		62	38.1	22.2	15.9	22.2	3.18	1.65	67.7	5		1/4-28	4.35	19.5	11.2	0.38
SSER206-20	1-1/4		62	38.1	22.2	15.9	22.2	3.18	1.65	67.7	5		1/4-28	4.35	19.5	11.2	0.38
SSER207		35	72	42.9	23.8	17.5	25.4	3.18	1.65	78.6	6.5	M8x1		6.3	25.7	15.2	0.56
SSER207-20	1-1/4		72	42.9	23.8	17.5	25.4	3.18	1.65	78.6	6.5		5/16-24	6.3	25.7	15.2	0.56
SSER207-21	1-5/16		72	42.9	23.8	17.5	25.4	3.18	1.65	78.6	6.5		5/16-24	6.3	25.7	15.2	0.56
SSER207-22	1-3/8		72	42.9	23.8	17.5	25.4	3.18	1.65	78.6	6.5		5/16-24	6.3	25.7	15.2	0.56
SSER207-23	1-7/16		72	42.9	23.8	17.5	25.4	3.18	1.65	78.6	6.5		5/16-24	6.3	25.7	15.2	0.56
SSER208		40	80	49.2	27.8	19	30.2	3.18	1.65	86.6	8	M8x1		7.5	29.6	18.2	0.87
SSER208-24	1-1/2		80	49.2	27.8	19	30.2	3.18	1.65	86.6	8		5/16-24	7.5	29.6	18.2	0.87
SSER208-25	1-9/16		80	49.2	27.8	19	30.2	3.18	1.65	86.6	8		5/16-24	7.5	29.6	18.2	0.87
SSER209		45	85	49.2	27.8	19	30.2	3.18	1.65	91.6	8	M8x1		7.5	31.8	20.8	0.95
SSER209-26	1-5/8		85	49.2	27.8	19	30.2	3.18	1.65	91.6	8		5/16-24	7.5	31.8	20.8	0.95
SSER209-27	1-11/16		85	49.2	27.8	19	30.2	3.18	1.65	91.6	8		5/16-24	7.5	31.8	20.8	0.95
SSER209-28	1-3/4		85	49.2	27.8	19	30.2	3.18	1.65	91.6	8		5/16-24	7.5	31.8	20.8	0.95
SSER210		50	90	51.6	28.6	19	32.6	3.18	2.41	96.5	10	M10x1.25		6.8	35.1	23.2	1.03
SSER210-30	1-7/8		90	51.6	28.6	19	32.6	3.18	2.41	96.5	10		3/8-24	6.8	35.1	23.2	1.03
SSER210-31	1-15/16		90	51.6	28.6	19	32.6	3.18	2.41	96.5	10		3/8-24	6.8	35.1	23.2	1.03
SSER210-32	2		90	51.6	28.6	19	32.6	3.18	2.41	96.5	10		3/8-24	6.8	35.1	23.2	1.03
SSER211		55	100	55.6	30.2	22.2	33.4	3.18	2.41	106.5	10	M10x1.25		7.6	43.5	29.2	1.21
SSER211-32	2		100	55.6	30.2	22.2	33.4	3.18	2.41	106.5	10		3/8-24	7.6	43.5	29.2	1.21
SSER211-33	2-1/16		100	55.6	30.2	22.2	33.4	3.18	2.41	106.5	10		3/8-24	7.6	43.5	29.2	1.21
SSER211-34	2-1/8		100	55.6	30.2	22.2	33.4	3.18	2.41	106.5	10		3/8-24	7.6	43.5	29.2	1.21
SSER211-35	2-3/16		100	55.6	30.2	22.2	33.4	3.18	2.41	106.5	10		3/8-24	7.6	43.5	29.2	1.21
SSER212		60	110	65.1	31.8	25.4	39.7	3.18	2.41	116.6	10	M10x1.25		8.4	52.5	32.8	1.68
SSER212-36	2-1/4		110	65.1	31.8	25.4	39.7	3.18	2.41	116.6	10		3/8-24	8.4	52.5	32.8	1.68
SSER212-37	2-5/16		110	65.1	31.8	25.4	39.7	3.18	2.41	116.6	10		3/8-24	8.4	52.5	32.8	1.68
SSER212-38	2-3/8		110	65.1	31.8	25.4	39.7	3.18	2.41	116.6	10		3/8-24	8.4	52.5	32.8	1.68
SSER212-39	2-7/16		110	65.1	31.8	25.4	39.7	3.18	2.41	116.6	10		3/8-24	8.4	52.5	32.8	1.68

Stainless Steel Bearing Inserts With Concentric Locking SUER2



Standard duty, Stainless steel, With cylindrical outer ring and snap ring, Concentric locking



SL TYPE SEAL

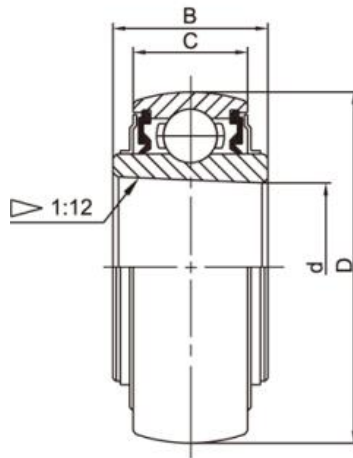


TJ TYPE SEAL

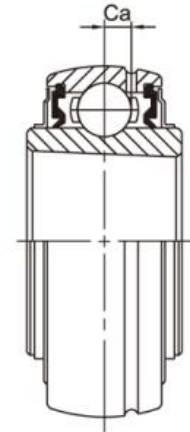
Unit No.	Shaft Dia		Dimensions (mm)												Load rating (KN)		Weight (kg)
	d (in)	d (mm)	D	B	C	S	B1	B2	a	f	D2 (max)	d1	ds	Ca	Dynamic Cr	Static Cor	
SUER204		20	47	31	15.9	10.3	33	9.5	2.38	1.07	52.7	40.8	M4	4.05	12.82	6.65	0.22
SUER204-12	3/4		47	31	15.9	10.3	33	9.5	2.38	1.07	52.7	40.8	M4	4.05	12.82	6.65	0.22
SUER205		25	52	34.9	19	13.1	35.4	9.5	2.38	1.07	57.9	49	M4	5.5	14.03	8.05	0.28
SUER205-13	13/16		52	34.9	19	13.1	35.4	9.5	2.38	1.07	57.9	49	M4	5.5	14.03	8.05	0.28
SUER205-14	7/8		52	34.9	19	13.1	35.4	9.5	2.38	1.07	57.9	49	M4	5.5	14.03	8.05	0.28
SUER205-15	15/16		52	34.9	19	13.1	35.4	9.5	2.38	1.07	57.9	49	M4	5.5	14.03	8.05	0.28
SUER205-16	1		52	34.9	19	13.1	35.4	9.5	2.38	1.07	57.9	49	M4	5.5	14.03	8.05	0.28
SUER206		30	62	38.1	22.2	15.9	39.8	9.5	3.18	1.65	67.7	55.5	M4	5.5	19.47	11.43	0.38
SUER206-17	1-1/16		62	38.1	22.2	15.9	39.8	9.5	3.18	1.65	67.7	55.5	M4	5.5	19.47	11.43	0.38
SUER206-18	1-1/8		62	38.1	22.2	15.9	39.8	9.5	3.18	1.65	67.7	55.5	M4	5.5	19.47	11.43	0.38
SUER206-19	1-3/16		62	38.1	22.2	15.9	39.8	9.5	3.18	1.65	67.7	55.5	M4	5.5	19.47	11.43	0.38
SUER206-20	1-1/4		62	38.1	22.2	15.9	39.8	9.5	3.18	1.65	67.7	55.5	M4	5.5	19.47	11.43	0.38
SUER207		35	72	42.9	23.8	17.5	43.9	11	3.18	1.65	78.6	64	M5	6.3	25.69	15.55	0.56
SUER207-20	1-1/4		72	42.9	23.8	17.5	43.9	11	3.18	1.65	78.6	64	M5	6.3	25.69	15.55	0.56
SUER207-21	1-5/16		72	42.9	23.8	17.5	43.9	11	3.18	1.65	78.6	64	M5	6.3	25.69	15.55	0.56
SUER207-22	1-3/8		72	42.9	23.8	17.5	43.9	11	3.18	1.65	78.6	64	M5	6.3	25.69	15.55	0.56
SUER207-23	1-7/16		72	42.9	23.8	17.5	43.9	11	3.18	1.65	78.6	64	M5	6.3	25.69	15.55	0.56
SUER208		40	80	49.2	27.8	19	50.2	11	3.18	1.65	86.6	68	M5	7.5	29.51	18.14	0.87
SUER208-24	1-1/2		80	49.2	27.8	19	50.2	11	3.18	1.65	86.6	68	M5	7.5	29.51	18.14	0.87
SUER208-25	1-9/16		80	49.2	27.8	19	50.2	11	3.18	1.65	86.6	68	M5	7.5	29.51	18.14	0.87
SUER209		45	85	49.2	27.8	19	50.2	11	3.18	1.65	91.6	74	M5	7.5	31.85	20.8	0.95
SUER209-26	1-5/8		85	49.2	27.8	19	50.2	11	3.18	1.65	91.6	74	M5	7.5	31.85	20.8	0.95
SUER209-27	1-11/16		85	49.2	27.8	19	50.2	11	3.18	1.65	91.6	74	M5	7.5	31.85	20.8	0.95
SUER209-28	1-3/4		85	49.2	27.8	19	50.2	11	3.18	1.65	91.6	74	M5	7.5	31.85	20.8	0.95
SUER210		50	90	51.6	28.6	19	52.6	14.5	3.18	2.41	96.5	81	M6	6.8	34.99	23.7	1.03
SUER210-30	1-7/8		90	51.6	28.6	19	52.6	14.5	3.18	2.41	96.5	81	M6	6.8	34.99	23.7	1.03
SUER210-31	1-15/16		90	51.6	28.6	19	52.6	14.5	3.18	2.41	96.5	81	M6	6.8	34.99	23.7	1.03
SUER210-32	2		90	51.6	28.6	19	52.6	14.5	3.18	2.41	96.5	81	M6	6.8	34.99	23.7	1.03
SUER211		55	100	55.6	30.2	22.2	55.6	14.5	3.18	2.41	106.5	92	M6	7.6	43.34	29.39	1.21
SUER211-32	2		100	55.6	30.2	22.2	55.6	14.5	3.18	2.41	106.5	92	M6	7.6	43.34	29.39	1.21
SUER211-33	1-1/16		100	55.6	30.2	22.2	55.6	14.5	3.18	2.41	106.5	92	M6	7.6	43.34	29.39	1.21
SUER211-34	2-1/8		100	55.6	30.2	22.2	55.6	14.5	3.18	2.41	106.5	92	M6	7.6	43.34	29.39	1.21
SUER211-35	2-3/16		100	55.6	30.2	22.2	55.6	14.5	3.18	2.41	106.5	92	M6	7.6	43.34	29.39	1.21
SUER212		60	110	65.1	31.8	25.4	66.6	17.4	3.18	2.41	116.6	103	M8	8.4	47.68	33.43	1.68
SUER212-36	2-1/4		110	65.1	31.8	25.4	66.6	17.4	3.18	2.41	116.6	103	M8	8.4	47.68	33.43	1.68
SUER212-37	2-5/16		110	65.1	31.8	25.4	66.6	17.4	3.18	2.41	116.6	103	M8	8.4	47.68	33.43	1.68
SUER212-38	2-3/8		110	65.1	31.8	25.4	66.6	17.4	3.18	2.41	116.6	103	M8	8.4	47.68	33.43	1.68
SUER212-39	2-7/16		110	65.1	31.8	25.4	66.6	17.4	3.18	2.41	116.6	103	M8	8.4	47.68	33.43	1.68

Stainless Steel Bearing Inserts With Adapter Sleeve Locking SUK2

Standard duty, Stainless steel, Taperd bore, Adapter sleeve locking



SUK200



SUK200G
Relubricatable type



SL TYPE SEAL



TJ TYPE SEAL

Bearing No.	Dimensions(mm)						Basic Load Rating (KN)		Weight (kg)
	d1	d	D	B	C	Ca	Dvnamic Cr	Static Cor	
SUK205	20	25	52	23	17	4.5	14	7.8	0.21
SUK206	25	30	62	26	19	5.1	19.5	11.2	0.31
SUK207	30	35	72	27	20	5.8	25.7	15.2	0.46
SUK208	35	40	80	29	21	6.2	29.6	18.2	0.63
SUK209	40	45	85	30	22	6.5	31.8	20.8	0.68
SUK210	45	50	90	31	24	7	35.1	23.2	0.78
SUK211	50	55	100	36	26	7.3	43.5	29.2	1.07
SUK212	55	60	110	38	27	7.7	52.5	32.8	1.51