

SG... ZZ / 2RS

◆ Feature:

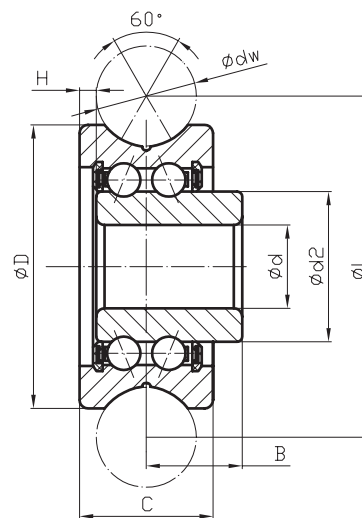
The function of series SG rollers are same as the series LFR rollers. But they are mainly used in the flat track and in the condition required compact structure. After rollers are installed to the slider, the shaft will be not or seldom over the roller's side planes.

◆ Material of Rings and Balls:

High carbon steel-AISI 52100
Stainless Steel - AISI 440 C

◆ Shields and Seals (suffix):

ZZ - double metal shields
2RS - doubleNBR seals



| Part No | Dimensions(mm) | | | | | | | | Load Ratings(KN) | | Liming Speed (r/min) | Weight (g) |
|---------------|----------------|----|----|----|------|-------|------|-----|------------------|------|----------------------|------------|
| | dw | d | D | C | B | L | d2 | H | Cr | Cor | | |
| SG15-2RS | 6 | 5 | 17 | 8 | 5.75 | 20.46 | 8.6 | 1 | 1.78 | 0.94 | 15000 | 8 |
| SG15-10-2RS | 10 | 5 | 17 | 8 | 5.75 | 25.5 | 8.6 | 1 | 1.78 | 0.94 | 15000 | 9 |
| SG20-2RS | 8 | 6 | 24 | 11 | 7.25 | 28.62 | 11.1 | 1.2 | 3.44 | 1.73 | 12000 | 25 |
| SG25-2RS | 10 | 8 | 30 | 14 | 8.5 | 35.77 | 13 | 1.5 | 5.09 | 2.6 | 11000 | 49 |
| SG35-2RS | 12 | 12 | 42 | 19 | 12.5 | 48.93 | 18 | 1.5 | 10.5 | 5.8 | 7000 | 136 |
| SG15N-2RS | 6 | 5 | 17 | 8 | 5.75 | 20.46 | 8.6 | 0.5 | 1.78 | 0.94 | 15000 | 8 |
| SG20N-2RS | 8 | 6 | 24 | 11 | 7.25 | 28.62 | 11.1 | 0.7 | 3.44 | 1.73 | 12000 | 25 |
| SG25N-2RS | 10 | 8 | 30 | 14 | 8.5 | 35.77 | 13 | 1 | 5.09 | 2.6 | 11000 | 49 |
| SG35N-2RS | 12 | 12 | 42 | 19 | 12.5 | 48.93 | 18 | 1 | 10.5 | 5.8 | 7000 | 136 |
| LFR50/5-4N-2Z | 4 | 5 | 16 | 7 | 5 | 18 | 6.9 | 0 | 2.22 | 0.93 | 27000 | 8 |
| LFR50/5-5-2Z | 5 | 5 | 17 | 7 | 5 | 20 | 6.9 | 0 | 2.02 | 0.93 | 27000 | 8 |
| LFR50/5-6N-2Z | 6 | 5 | 17 | 7 | 5 | 21 | 6.9 | 0 | 2.02 | 0.93 | 27000 | 8 |
| LFR50/8-6N-2Z | 6 | 8 | 24 | 11 | 7 | 28 | 12.3 | 0 | 5.09 | 2.6 | 20000 | 25 |
| LFR50/8-8N-2Z | 8 | 8 | 24 | 11 | 7 | 29 | 12.3 | 0 | 5.09 | 2.6 | 20000 | 25 |