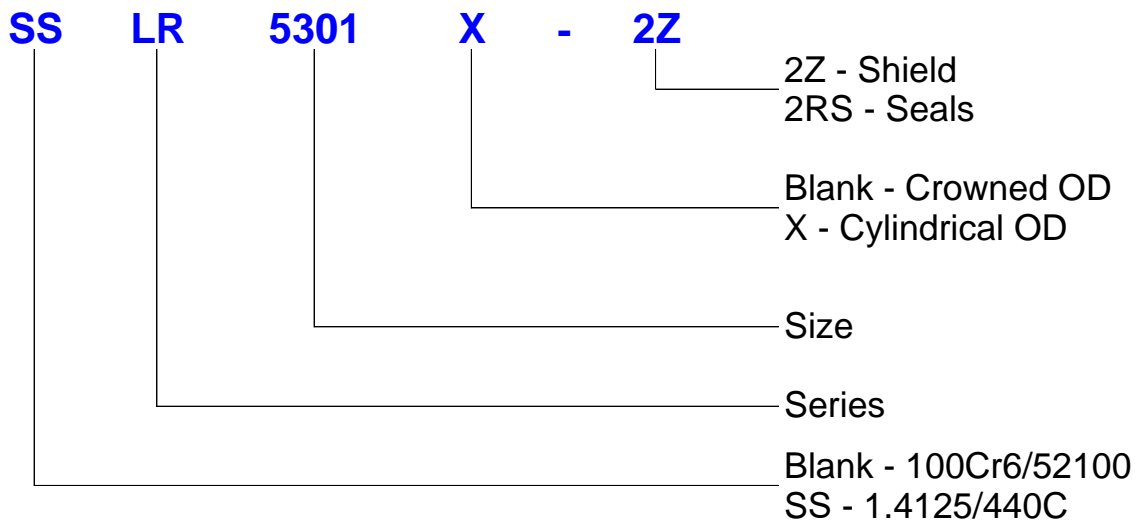


Designations



LR... ZZ/2RS

▼ LR..Cam Rollers with Cylindrical or Crowned Profile outer ring

◇ Series LR rollers are also called Cam rollers, can be used in the heavy loads track or used as an idler wheel. They are widely used in the particular application that the friction should be reduced.

◇ The outer diameter surface of rollers is shaped to the crowned runner surfaces with R500 (prefix " LFR "), so make the stresses well when rollers working.

◇ Rollers take the internal structure design of deep groove ball bearings or double row angular contact ball bearings and have a particular thick-walled outer ring, so the rollers can accommodate higher loads.

◇ Rollers are made of the high-quality bearing steel processed by heat treatment and precision grind, and are filled with a long service life, high-grade and multi-purposes grease. Rollers take the metal shields (suffix ZZ or KDD) or rubber seals (suffix 2RS or NPP) to prevent the dust. Some types of the rollers can be made from the corrosion resistance stainless steel.

▼ Characteristic of guide system that LR Cam Rollers are applied

◇ Low resistance, long service life, widely-use

Being cam rollers with crowned runner surfaces R500, make its stresses in well-distributed between rollers and track when working, thus the stresses centralization are avoided, the friction resistance are reduced and the service life of rollers have been improved a lot. Most of the double row cam rollers can be relubricated through the filling hole on the inner ring to adapt the adverse working conditions.

◇ Easy installation

After rollers assembled the concentric or eccentric pivot, installation can be made conveniently. To adjust the eccentric one's eccentricity, the rollers can get the fitting preload.

◇ Smooth running, minimum error

Besides we produce the series LR cam rollers according to the standard of rolling bearings, we also make the strict control on the rotary accuracy of outer ring to meet special working mode that inner ring is fixed while outer ring running.

LR6.. and LR2..

◆ LR..X - Cylindrical O.D

LR - Spherical O.D.

◆ Material:

High quality bearing steel -100Cr6

Stainless Steel - 440C (prefix SS)

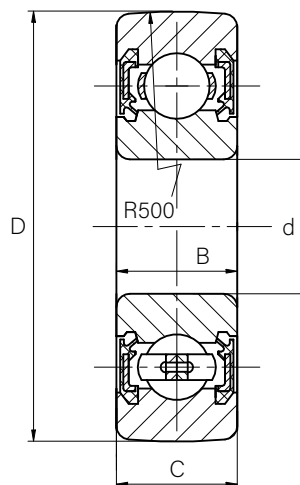
◆ Shields and Seals (suffix):

ZZ (or KDD) - double metal shields

2RS (or NPP) - double NBR seals

◆ Tolerance Class:

P0, P6, P5



Designation				Dimensions				Load Ratings					Limiting Speed	Weight
Crowned	Crowned	Cylindrical OD	Cylindrical OD	d	D	B	r _{min}	C	C ₀	P _u	F _r	F _{0r}	nD G	≈m
Sealed	Shielded	Sealed	Shielded	mm				kN					r/min	kg
LR604-2RS	-	-	-	4	13	4	0.2	0.92	0.36	0.0186	0.7	0.7	24000	0.0048
LR605-2RS	-	-	-	5	16	5	0.2	1.29	0.51	0.0265	0.97	0.97	23000	0.0052
LR606-2RS	-	-	-	6	19	6	0.3	1.94	0.81	0.0405	1.4	1.4	22000	0.008
LR607-2RS	-	-	-	7	22	6	0.3	2.25	0.89	0.0435	1.7	1.7	20000	0.01
LR608-2RS	-	-	-	8	24	7	0.3	2.95	1.28	0.064	2.45	2.45	19000	0.016
LR6000-2RS	-	-	-	10	28	8	0.3	5	2.55	0.13	2.5	3.3	16000	0.024
LR6001-2RS	-	-	-	12	30	8	0.3	5.3	2.8	0.148	4	4	15000	0.023
LR6002-2RS	-	-	-	15	35	9	0.3	4.6	2.5	0.14	4.5	4.5	11000	0.05
LR6003-2RS	-	-	-	17	40	10	0.3	6.8	3.56	0.18	5.9	5.9	9000	0.07
LR200-2RS	-	LR200-X-2RS	-	10	32	9	0.6	4.68	2.04	0.085	3.45	5	13000	0.036
LR201-2RS	-	LR201-X-2RS	-	12	35	10	0.6	6.24	2.6	0.11	3.35	4.75	12000	0.047
LR202-2RS	-	LR202-X-2RS	-	15	40	11	0.6	7.02	3.2	0.137	5.1	7.35	11000	0.068
LR203-2RS	LR203-2Z	LR203-X-2RS	LR203-X-2Z	17	47	12	0.6	8.84	4.25	0.18	8.15	11.6	9000	0.108
LR204-2RS	LR204-2Z	LR204-X-2RS	LR204-X-2Z	20	52	14	1	11.4	5.5	0.232	7.5	10.6	8000	0.143
LR205-2RS	LR205-2Z	LR205-X-2RS	LR205-X-2Z	25	62	15	1	13	6.8	0.29	12.9	18.6	7000	0.23
LR206-2RS	LR206-2Z	LR206-X-2RS	LR206-X-2Z	30	72	16	1	17.4	9.5	0.4	14.6	20.8	5500	0.33
LR207-2RS	LR207-2Z	LR207-X-2RS	LR207-X-2Z	35	80	17	1.1	22.1	11.8	0.5	12.9	18.3	4500	0.4
LR208-2RS	LR208-2Z	LR208-X-2RS	LR208-X-2Z	40	85	18	1.1	23.7	14.1	0.56	13.2	22.7	4000	0.45
LR209-2RS	-	LR209-X-2RS	-	45	90	19	1.1	25.7	16.1	0.76	15.2	24.7	3600	0.48

C - Basic dynamic load rating

C₀ - Basic static load rating

P_u - Fatigue load limit

F_r - Maximum dynamic radial load (permissible dynamic radial load as track roller)

F_{0r} - Maximum static radial load (permissible static radial load as track roller)

Shanghai chenghui (C&H) Bearing Co.,Ltd

2-1709, No 289, Zheqian Road, Pudong, Shanghai, China

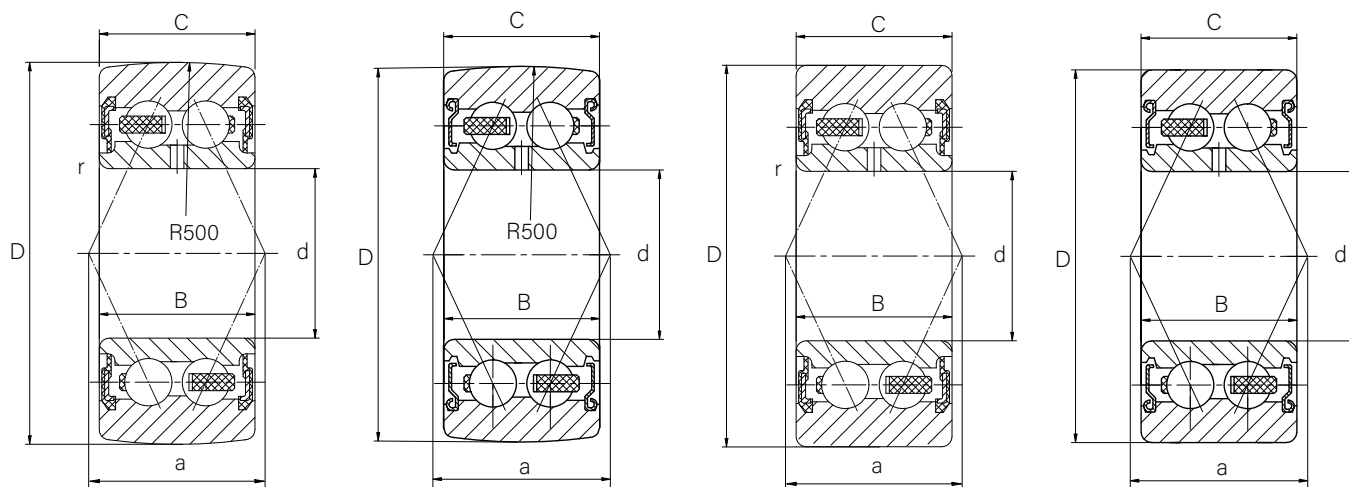
Tel: +86 (0) 21 58356710 Fax: +86 (0) 21 58356720

E-mail: jason@chenghuibearing.com / chenghui-china.com

Yoke Track Roller / Cam Roller



LR50../LR52..



Designation				Dimensions				Load Ratings					Limiting Speed	Weight
Crowned	Crowned	Cylindrical OD	Cylindrical OD	d	D	B	r _{min}	C	C ₀	P _u	F _r	F _{0r}	nD G	≈m
Sealed	Shielded	Sealed	Shielded	mm				kN					r/min	kg
LR50/5-2RS	-	-	-	5	17	7	0.2	1.69	0.95	0.05	0.95	1.35	12000	0.009
LR50/6-2RS	-	-	-	6	19	9	0.3	2.7	1.41	0.068	1.41	2.01	11000	0.013
LR50/7-2RS	-	-	-	7	22	10	0.3	3.3	1.7	0.083	1.7	2.42	10000	0.015
LR50/8-2RS	-	-	-	8	24	11	0.3	4.3	2.46	0.122	2.46	3.51	10000	0.03
LR5000-2RS	-	-	-	10	28	12	0.3	4.75	2.95	0.149	2.95	4.21	9000	0.03
LR5001-2RS	-	-	-	12	30	12	0.3	5.1	3.2	0.166	3.2	4.57	8500	0.03
LR5002-2RS	-	-	-	15	35	13	0.3	6.5	4.4	0.229	4.4	6.28	7000	0.063
LR5003-2RS	-	-	-	17	40	14	0.3	7.8	5.4	0.275	5.4	7.71	6000	0.07
LR5004-2RS	-	-	-	20	47	16	0.6	11.7	7.9	0.415	7.9	11.28	5500	0.12
LR5005-2RS	-	-	-	25	52	16	0.6	11.8	8.4	0.45	8.4	12	4700	0.162
LR5006-2RS	-	-	-	30	62	19	1	16.1	12.2	0.65	12.2	17.43	4000	0.25
LR5007-2RS	-	-	-	35	68	20	1	17.8	13.7	0.74	13.7	19.57	4000	0.3
LR5200-2RS	LR5200-2Z	LR5200-X-2RS	LR5200-X-2Z	10	32	14	0.6	6.76	3.6	0.15	4.4	6.3	8000	0.07
LR5201-2RS	LR5201-2Z	LR5201-X-2RS	LR5201-X-2Z	12	35	15.9	0.6	8.7	4.55	0.19	3.8	5.4	7500	0.08
LR5202-2RS	LR5202-2Z	LR5202-X-2RS	LR5202-X-2Z	15	40	15.9	0.6	10	5.5	0.26	5.85	8.5	7000	0.11
LR5203-2RS	LR5203-2Z	LR5203-X-2RS	LR5203-X-2Z	17	47	17.5	0.6	12.8	7.35	0.315	9.3	13.4	5500	0.17
LR5204-2RS	LR5204-2Z	LR5204-X-2RS	LR5204-X-2Z	20	52	20.6	1	16.1	9.5	0.4	8.3	12	5000	0.23
LR5205-2RS	LR5205-2Z	LR5205-X-2RS	LR5205-X-2Z	25	62	20.6	1	18.6	11.8	0.5	15.3	21.6	4500	0.34
LR5206-2RS	LR5206-2Z	LR5206-X-2RS	LR5206-X-2Z	30	72	23.8	1	25	16.3	0.69	17	24	3500	0.51
LR5207-2RS	LR5207-2Z	LR5207-X-2RS	LR5207-X-2Z	35	80	27	1.1	31	20.4	0.86	15.6	22.4	2800	0.66
LR5208-2RS	LR5208-2Z	LR5208-X-2Z	LR5208-X-2Z	40	85	30.2	1.1	35	26	1.36	16.8	28.6	2500	0.75

C - Basic dynamic load rating

C₀ - Basic static load rating

P_u - Fatigue load limit

F_r - Maximum dynamic radial load (permissible dynamic radial load as track roller)

F_{0r} - Maximum static radial load (permissible static radial load as track roller)

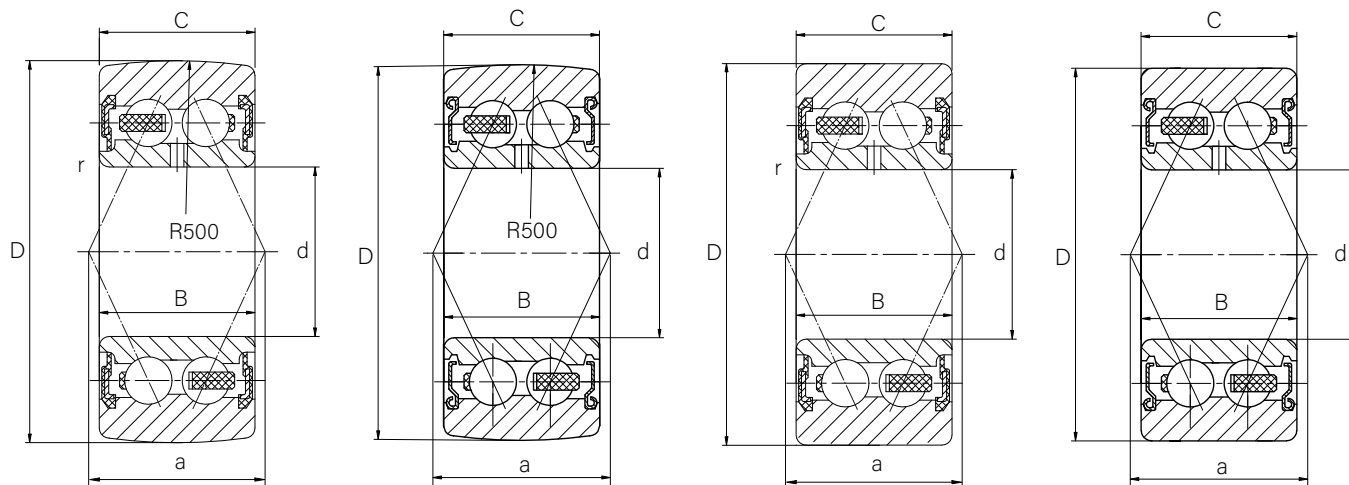
Shanghai chenghui (C&H) Bearing Co.,Ltd

2-1709, No 289, Zheqian Road, Pudong, Shanghai, China

Tel: +86 (0) 21 58356710 Fax: +86 (0) 21 58356720

E-mail: jason@chenghuibearing.com / chenghui-china.com

LRÍ HĚ



Designation				Dimensions				Load Ratings				Limiting Speed	Weight	
Crowned	Crowned	Cylindrical OD	Cylindrical OD	d	D	B	r _{min}	C	C ₀	P _u	F _r	F _{0r}	nD G	≈m
Sealed	Shielded	Sealed	Shielded	mm				kN					r/min	kg
LR5302-2RS	LR5302-2Z	-	-	15	47	19	1	14.6	9.2	0.38	11.4	16.28	6500	0.15
LR5303-2RS	LR5303-2Z	-	-	17	52	22.2	1	19.1	13.7	0.69	15.5	22.14	5700	0.21
LR5304-2RS	LR5304-2Z	-	-	20	62	22.2	1.1	22.2	17.2	0.86	17.2	24.57	4850	0.34
LR5305-2RS	LR5305-2Z	-	-	25	72	25.4	1.1	28	22.5	1.14	22.5	32.14	4100	0.5
LR5306-2RS	LR5306-2Z	-	-	30	80	30.2	1.1	36	29.5	1.52	27	38.57	3450	0.67
LR5307-2RS	LR5307-2Z	-	-	35	90	34.9	1.5	45.5	37	1.87	27	38.57	3100	0.97
LR5308-2RS	LR5308-2Z	-	-	40	100	36.5	1.5	53	46	2.38	35.5	50.71	2300	1.39

C - Basic dynamic load rating

C₀ - Basic static load rating

P_u - Fatigue load limit

F_r - Maximum dynamic radial load (permissible dynamic radial load as track roller)

F_{0r} - Maximum static radial load (permissible static radial load as track roller)

Shanghai chenghui (C&H) Bearing Co.,Ltd

2-1709, No 289, Zheqian Road, Pudong, Shanghai, China

Tel: +86 (0) 21 58356710 Fax: +86 (0) 21 58356720

E-mail: jason@chenghuibearing.com / chenghui-china.com

Interchange

C&H	INA (XL)	INA (New)	INA (Old)	FAG	SKF	NSK
LR604-2RS		LR604-2RSR	LR604 NPPU			
LR605-2RS		LR605-2RSR	LR605 NPPU			
LR606-2RS		LR606-2RSR	LR606 NPPU			
LR607-2RS		LR607-2RSR	LR607 NPPU			
LR608-2RS		LR608-2RSR	LR608 NPPU			
LR6000-2RS		LR6000-2RSR	LR6000 NPPU			
LR6001-2RS		LR6001-2RSR	LR6001 NPPU			
LR6002-2RS		LR6002-2RSR	LR6002 NPPU			
LR6003-2RS		LR6003-2RSR	LR6003 NPPU			
LR200-2RS		LR200-2RSR	LR200 NPPU	567400	361200R	
LR201-2RS		LR201-2RSR	LR201 NPPU	567401	361201R	
LR202-2RS		LR202-2RSR	LR202 NPPU	567402	361202R	
LR203-2RS		LR203-2RSR	LR203 NPPU	567403	361203R	LB6203-2RSR
LR204-2RS		LR204-2RSR	LR204 NPPU	567404	361204R	LB6204-2RSR
LR205-2RS		LR205-2RSR	LR205 NPPU	567405	361205R	LB6205-2RSR
LR206-2RS		LR206-2RS	LR206 NPPU	567406	361206R	LB6206-2RSR
LR207-2RS		LR207-2RS	LR207 NPPU	567407	361207R	LB6207-2RSR
LR208-2RS		LR208-2RS	LR208 NPPU		361208R	LB6208-2RSR
LR209-2RS		LR209-2RS	LR209 NPPU			
LR203-2Z						LB6203-2ZR
LR204-2Z						LB6204-2ZR
LR205-2Z						LB6205-2ZR
LR206-2Z						LB6206-2ZR
LR207-2Z						LB6207-2ZR
LR208-2Z						LB6208-2ZR
LR200-X-2RS		LR 200-X-2RSR	LR200 NPP			
LR201-X-2RS		LR 201-X-2RSR	LR201 NPP			
LR202-X-2RS		LR 202-X-2RSR	LR202 NPP			
LR203-X-2RS		LR-203-X-2RSR	LR203 NPP			LZ6203-2RSR
LR204-X-2RS		LR 204-X-2RSR	LR204 NPP			LZ6204-2RSR
LR205-X-2RS		LR 205-X-2RSR	LR205 NPP			LZ6205-2RSR
LR206-X-2RS		LR 206-X-2RS	LR206 NPP			LZ6206-2RSR
LR207-X-2RS		LR 207-X-2RS	LR207 NPP			LZ6207-2RSR
LR208-X-2RS		LR 208-X-2RS	LR208 NPP			LZ6208-2RSR
LR209-X-2RS		LR 209-X-2RS	LR209 NPP			
LR203-X-2Z						LZ6203-2ZR
LR204-X-2Z						LZ6204-2ZR

Shanghai chenghui (C&H) Bearing Co.,Ltd

2-1709, No 289, Zheqian Road, Pudong, Shanghai, China

Tel: +86 (0) 21 58356710 Fax: +86 (0) 21 58356720

E-mail: jason@chenghuibearing.com / chenghui-china.com

Interchange

C&H	INA (XL)	INA (New)	INA (Old)	FAG	SKF	NSK
LR205-X-2Z						LZ6205-2ZR
LR206-X-2Z						LZ6206-2ZR
LR207-X-2Z						LZ6207-2ZR
LR208-X-2Z						LZ6208-2ZR
LR50/5-2RS		LR50/5-2RSR	LR50/5 NPPU			
LR50/6-2RS		LR50/6-2RSR	LR50/6 NPPU			
LR50/7-2RS		LR50/7-2RSR	LR50/7 NPPU			
LR50/8-2RS		LR50/8-2RSR	LR50/8 NPPU			
LR5000-2RS		LR5000-2RS	LR5000 NPPU			
LR5001-2RS		LR5001-2RS	LR5001 NPPU			
LR5002-2RS		LR5002-2RS	LR5002 NPPU			
LR5003-2RS		LR5003-2RS	LR5003 NPPU			
LR5004-2RS		LR5004-2RS	LR5004 NPPU			
LR5005-2RS		LR5005-2RS	LR5005 NPPU			
LR5006-2RS		LR5006-2RS	LR5006 NPPU			
LR5007-2RS		LR5007-2RS	LR5007 NPPU			
LR5200-2RS	LR5200-2HRS-TVH-XL	LR5200-2RS	LR5200 NPPU		305800C-2RS1	LB3200B2RSRSTNG
LR5201-2RS	LR5201-2HRS-TVH-XL	LR5201-2RS	LR5201 NPPU		305801C-2RS1	LB3201B2RSRSTNG
LR5202-2RS	LR5202-2HRS-TVH-XL	LR5202-2RS	LR5202 NPPU		305802C-2RS1	LB3202B2RSRSTNG
LR5203-2RS	LR5203-2HRS-TVH-XL	LR5203-2RS	LR5203 NPPU		305803C-2RS1	LB3203B2RSRSTNG
LR5204-2RS	LR5204-2HRS-TVH-XL	LR5204-2RS	LR5204 NPPU		305804C-2RS1	LB3204B2RSRSTNG
LR5205-2RS	LR5205-2HRS-TVH-XL	LR5205-2RS	LR5205 NPPU		305805C-2RS1	LB3205B2RSRSTNG
LR5206-2RS	LR5206-2HRS-TVH-XL	LR5206-2RS	LR5206 NPPU		305806C-2RS1	LB3206B2RSRSTNG
LR5207-2RS	LR5207-2HRS-TVH-XL	LR5207-2RS	LR5207 NPPU		305807C-2RS1	LB3207B2RSRSTNG
LR5208-2RS	LR5208-2HRS-TVH-XL	LR5208-2RS	LR5208 NPPU			
LR5200-2Z	LR5200-2Z-TVH-XL	LR5200-2Z	LR5200 KDDU	542800	305800C-2Z	LB3200B2ZRSTNG
LR5201-2Z	LR5201-2Z-TVH-XL	LR5201-2Z	LR5201 KDDU	542801	305801C-2Z	LB3201B2ZRSTNG
LR5202-2Z	LR5202-2Z-TVH-XL	LR5202-2Z	LR5202 KDDU	542802	305802C-2Z	LB3202B2ZRSTNG
LR5203-2Z	LR5203-2Z-TVH-XL	LR5203-2Z	LR5203 KDDU	542803	305803C-2Z	LB3203B2ZRSTNG
LR5204-2Z	LR5204-2Z-TVH-XL	LR5204-2Z	LR5204 KDDU	542804	305804C-2Z	LB3204B2ZRSTNG
LR5205-2Z	LR5205-2Z-TVH-XL	LR5205-2Z	LR5205 KDDU	542805	305805C-2Z	LB3205B2ZRSTNG
LR5206-2Z	LR5206-2Z-TVH-XL	LR5206-2Z	LR5206 KDDU	542806	305806C-2Z	LB3206B2ZRSTNG
LR5207-2Z	LR5207-2Z-TVH-XL	LR5207-2Z	LR5207 KDDU	542807	305807C-2Z	LB3207B2ZRSTNG
LR5208-2Z	LR5208-2Z-TVH-XL	LR5208-2Z	LR5208 KDDU			
LR5200-X-2RS	LR5200-X-2HRS-TVH-XL	LR5200-X-2RS	LR5200 NPP		305700C-2RS1	LZ3200B2RSRSTNG
LR5201-X-2RS	LR5201-X-2HRS-TVH-XL	LR5201-X-2RS	LR5201 NPP		305701C-2RS1	LZ3201B2RSRSTNG
LR5202-X-2RS	LR5202-X-2HRS-TVH-XL	LR5202-X-2RS	LR5202 NPP		305702C-2RS1	LZ3202B2RSRSTNG
LR5203-X-2RS	LR5203-X-2HRS-TVH-XL	LR5203-X-2RS	LR5203 NPP		305703C-2RS1	LZ3203B2RSRSTNG

Shanghai chenghui (C&H) Bearing Co.,Ltd

2-1709, No 289, Zheqian Road, Pudong, Shanghai, China

Tel: +86 (0) 21 58356710 Fax: +86 (0) 21 58356720

E-mail: jason@chenghuibearing.com / chenghui-china.com

Interchange

C&H	INA (XL)	INA (New)	INA (Old)	FAG	SKF	NSK
LR5204-X-2RS	LR5204-X-2HRS-TVH-XL	LR5204-X-2RS	LR5204 NPP		305704C-2RS1	LZ3204B2RSRSTNG
LR5205-X-2RS	LR5205-X-2HRS-TVH-XL	LR5205-X-2RS	LR5205 NPP		305705C-2RS1	LZ3205B2RSRSTNG
LR5206-X-2RS	LR5206-X-2HRS-TVH-XL	LR5206-X-2RS	LR5206 NPP		305706C-2RS1	LZ3206B2RSRSTNG
LR5207-X-2RS	LR5207-X-2HRS-TVH-XL	LR5207-X-2RS	LR5207 NPP		305707C-2RS1	LZ3207B2RSRSTNG
LR5200-X-2Z	LR5200-X-2Z-TVH-XL	LR5200-X-2Z	LR5200 KDD		305700C-2Z	LZ3200B2ZRSTNG
LR5201-X-2Z	LR5201-X-2Z-TVH-XL	LR5201-X-2Z	LR5201 KDD	542701	305701C-2Z	LZ3201B2ZRSTNG
LR5202-X-2Z	LR5202-X-2Z-TVH-XL	LR5202-X-2Z	LR5202 KDD	542702	305702C-2Z	LZ3202B2ZRSTNG
LR5203-X-2Z	LR5203-X-2Z-TVH-XL	LR5203-X-2Z	LR5203 KDD	542703	305703C-2Z	LZ3203B2ZRSTNG
LR5204-X-2Z	LR5204-X-2Z-TVH-XL	LR5204-X-2Z	LR5204 KDD	542704	305704C-2Z	LZ3204B2ZRSTNG
LR5205-X-2Z	LR5205-X-2Z-TVH-XL	LR5205-X-2Z	LR5205 KDD	542705	305705C-2Z	LZ3205B2ZRSTNG
LR5206-X-2Z	LR5206-X-2Z-TVH-XL	LR5206-X-2Z	LR5206 KDD		305706C-2Z	LZ3206B2ZRSTNG
LR5207-X-2Z	LR5207-X-2Z-TVH-XL	LR5207-X-2Z	LR5207 KDD		305707C-2Z	LZ3207B2ZRSTNG
LR5208-X-2Z	LR5208-X-2Z-TVH-XL	LR5208-X-2Z	LR5208 KDD			
LR5302-2RS						
LR5303-2RS	LR5303-2Z-TVH-XL	LR5303-2Z	LR5303 KDDU			
LR5304-2RS	LR5304-2Z-TVH-XL	LR5304-2Z	LR5304 KDDU			
LR5305-2RS	LR5305-2Z-TVH-XL	LR5305-2Z	LR5305 KDDU			
LR5306-2RS	LR5306-2Z-TVH-XL	LR5306-2Z	LR5306 KDDU			
LR5307-2RS	LR5307-2Z-TVH-XL	LR5307-2Z	LR5307 KDDU			
LR5308-2RS	LR5308-2Z-TVH-XL	LR5308-2Z	LR5308 KDDU			
LR5302-2Z						
LR5303-2Z	LR5303-2HRS-TVH-XL	LR5303-2RS	LR5303 NPPU			
LR5304-2Z	LR5304-2HRS-TVH-XL	LR5304-2RS	LR5304 NPPU			
LR5305-2Z	LR5305-2HRS-TVH-XL	LR5305-2RS	LR5305 NPPU			
LR5306-2Z	LR5306-2HRS-TVH-XL	LR5306-2RS	LR5306 NPPU			
LR5307-2Z	LR5307-2HRS-TVH-XL	LR5307-2RS	LR5307 NPPU			
LR5308-2Z	LR5308-2HRS-TVH-XL	LR5308-2RS	LR5308 NPPU			

Note:

Interchange code is for reference only. C&H does not guarantee that it will be error free. Any doubts, please contact our engineers before placing an order.

Shanghai chenghui (C&H) Bearing Co.,Ltd

2-1709, No 289, Zheqian Road, Pudong, Shanghai, China

Tel: +86 (0) 21 58356710 Fax: +86 (0) 21 58356720

E-mail: jason@chenghuibearing.com / chenghui-china.com