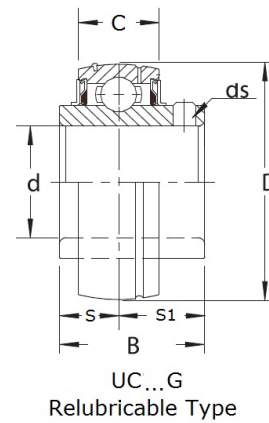
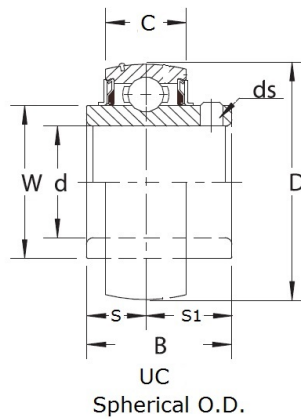


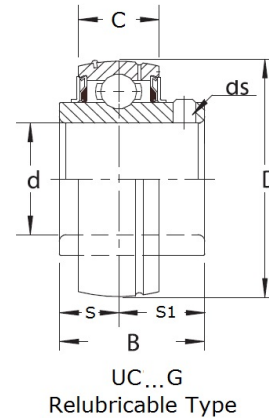
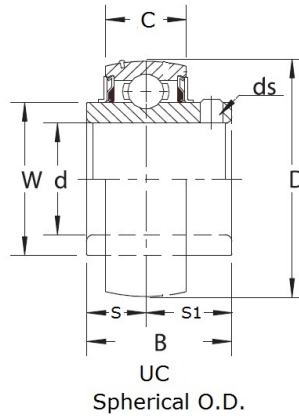
UC200 ( Normal-Duty )

- ◆ Set crew locking
- ◆ Wider inner ring
- ◆ Available relubricable type - suffix " G "
- ◆ Available cylindrical OD -prefix " C "
- ◆ Available stainless steel -prefix " S "
- ◆ SL seal - no suffix
- ◆ Available tri-lip seal - suffix " L3 "



Bearing No.	Shaft Dia		Dimensions( mm)							ds	Ca	Basic Load ratings		Mass
	d		D	B	C	S	S1	G	Cr			Cor		
	mm	in	mm									mm	KN	
UCW201	12		40	27.4	14	11.5	15.9	4.2	M5x0.8	4.1	7.36	4.48	0.12	
UCW201-8	12.7	1/2"	40	27.4	14	11.5	15.9	4.2	10-32UNF	4.1	7.36	4.48	0.12	
UCW202	15		40	27.4	14	11.5	15.9	4.2	M5x0.8	4.1	7.36	4.48	0.11	
UCW202-9	14.288	9/16"	40	27.4	14	11.5	15.9	4.2	10-32UNF	4.1	7.36	4.48	0.11	
UCW202-10	15.875	5/8"	40	27.4	14	11.5	15.9	4.2	10-32UNF	4.1	7.36	4.48	0.11	
UCW203	17		40	27.4	14	11.5	15.9	4.2	M5x0.8	4.1	7.36	4.48	0.1	
UCW203-11	17.463	11/16"	40	27.4	14	11.5	15.9	4.2	10-32UNF	4.1	7.36	4.48	0.1	
UC201	12		47	31	17	12.7	18.3	5	M6x1	4.3	9.88	6.2	0.21	
UC201-8	12.7	1/2"	47	31	17	12.7	18.3	5	1/4-28UNF	4.3	9.88	6.2	0.21	
UC202	15		47	31	17	12.7	18.3	5	M6x1	4.3	9.88	6.2	0.19	
UC202-9	14.288	9/16"	47	31	17	12.7	18.3	5	1/4-28UNF	4.3	9.88	6.2	0.19	
UC202-10	15.875	5/8"	47	31	17	12.7	18.3	5	1/4-28UNF	4.3	9.88	6.2	0.19	
UC203	17		47	31	17	12.7	18.3	5	M6x1	4.3	9.88	6.2	0.18	
UC203-11	17.463	11/16	47	31	17	12.7	18.3	5	1/4-28UNF	4.3	9.88	6.2	0.19	
UC204	20		47	31	17	12.7	18.3	5	M6x1	4.3	9.88	6.2	0.17	
UC204-12	19.05	3/4	47	31	17	12.7	18.3	5	1/4-28UNF	4.3	9.88	6.2	0.18	
UC205	25		52	34.1	17	14.3	19.8	5.4	M6x1	4	10.78	6.98	0.19	
UC205-13	20.637	13/16	52	34.1	17	14.3	19.8	5.4	1/4-28UNF	4	10.78	6.98	0.22	
UC205-14	22.225	7/8	52	34.1	17	14.3	19.8	5.4	1/4-28UNF	4	10.78	6.98	0.21	
UC205-15	23.813	15/16	52	34.1	17	14.3	19.8	5.4	1/4-28UNF	4	10.78	6.98	0.2	
UC205-16	25.4	1	52	34.1	17	14.3	19.8	5.4	1/4-28UNF	4	10.78	6.98	0.19	
UC206	30		62	38.1	19	15.9	22.2	5.5	M6x1	5.3	14.97	10.04	0.31	
UC206-17	26.988	1-1/16	62	38.1	19	15.9	22.2	5.5	1/4-28UNF	5.3	14.97	10.04	0.34	
UC206-18	28.575	1-1/8	62	38.1	19	15.9	22.2	5.5	1/4-28UNF	5.3	14.97	10.04	0.33	
UC206-19	30.163	1-3/16	62	38.1	19	15.9	22.2	5.5	1/4-28UNF	5.3	14.97	10.04	0.32	
UC206-20	31.75	1-1/4	62	38.1	19	15.9	22.2	5.5	1/4-28UNF	5.3	14.97	10.04	0.3	
UC207	35		72	42.9	20	17.5	25.4	6.9	M8x1	5.8	19.75	13.67	0.46	
UC207-20	31.75	1-1/4	72	42.9	20	17.5	25.4	6.9	5/16UNF	5.8	19.75	13.67	0.52	
UC207-21	33.338	1-5/16	72	42.9	20	17.5	25.4	6.9	5/16UNF	5.8	19.75	13.67	0.51	
UC207-22	34.925	1-3/8	72	42.9	20	17.5	25.4	6.9	5/16UNF	5.8	19.75	13.67	0.48	
UC207-23	36.513	1-7/16	72	42.9	20	17.5	25.4	6.9	5/16UNF	5.8	19.75	13.67	0.46	
UC208	40		80	49.2	21	19	30.2	8	M8x1	6.2	22.71	15.94	0.63	
UC208-24	38.1	1-1/2	80	49.2	21	19	30.2	8	5/16UNF	6.2	22.71	15.94	0.68	
UC208-25	39.688	1-9/16	80	49.2	21	19	30.2	8	5/16UNF	6.2	22.71	15.94	0.64	

UC200 ( Normal-Duty )



Bearing No.	Shaft Dia		Dimensions( mm)							ds	Basic Load ratings			Mass kg
	d		D	B	C	S	S1	G	Ca		Cr	Cor		
	mm	in	mm								mm	KN		
UC209	45		85	49.2	22	19	30.2	8	M8x1	6.5	24.36	17.71	0.68	
UC209-26	41.275	1-5/8	85	49.2	22	19	30.2	8	5/16UNF	6.5	24.36	17.71	0.78	
UC209-27	40.922	1-11/16	85	49.2	22	19	30.2	8	5/16UNF	6.5	24.36	17.71	0.74	
UC209-28	44.45	1-3/4	85	49.2	22	19	30.2	8	5/16UNF	6.5	24.36	17.71	0.7	
UC210	50		90	51.6	24	19	32.6	10	M10x1.25	7	26.98	19.84	0.78	
UC210-30	47.625	1-7/8	90	51.6	24	19	32.6	10	3/8-24UNF	7	26.98	19.84	0.85	
UC210-31	49.213	1-15/16	90	51.6	24	19	32.6	10	3/8-24UNF	7	26.98	19.84	0.8	
UC210-32	50.8	2	90	51.6	24	19	32.6	10	3/8-24UNF	7	26.98	19.84	0.78	
UC211	55		100	55.6	25	22.2	33.4	10	M10x1.25	7.4	33.37	25.11	1.07	
UC211-32	50.8	2	100	55.6	25	22.2	33.4	10	3/8-24UNF	7.4	33.37	25.11	1.22	
UC211-33	52.388	2-1/16	100	55.6	25	22.2	33.4	10	3/8-24UNF	7.4	33.37	25.11	1.16	
UC211-34	53.975	2-1/8	100	55.6	25	22.2	33.4	10	3/8-24UNF	7.4	33.37	25.11	1.1	
UC211-35	55.563	2-3/16	100	55.6	25	22.2	33.4	10	3/8-24UNF	7.4	33.37	25.11	1.05	
UC212	60		110	65.1	27	25.4	39.7	10	M10x1.25	7.6	36.74	27.97	1.51	
UC212-36	57.15	2-1/4	110	65.1	27	25.4	39.7	10	3/8-24UNF	7.6	36.74	27.97	1.65	
UC212-37	58.738	2-5/16	110	65.1	27	25.4	39.7	10	3/8-24UNF	7.6	36.74	27.97	1.59	
UC212-38	60.325	2-3/8	110	65.1	27	25.4	39.7	10	3/8-24UNF	7.6	36.74	27.97	1.52	
UC212-39	61.913	2-7/16	110	65.1	27	25.4	39.7	10	3/8-24UNF	7.6	36.74	27.97	1.42	
UC213	65		120	65.1	28	25.4	39.7	10	M10x1.25	8.5	44.01	34.18	1.86	
UC213-39	61.913	2-7/16	120	65.1	28	25.4	39.7	10	3/8-24UNF	8.5	44.01	34.18	1.96	
UC213-40	63.5	2-1/2	120	65.1	28	25.4	39.7	10	3/8-24UNF	8.5	44.01	34.18	1.94	
UC214	70		125	74.6	29	30.2	44.4	12	M12x1.25	8.9	46.79	37.59	2.18	
UC214-43	68.263	2-11/16	125	74.6	29	30.2	44.4	12	7/16-20UNF	8.9	46.79	37.59	2.28	
UC214-44	69.853	2-3/4	125	74.6	29	30.2	44.4	12	7/16-20UNF	8.9	46.79	37.59	2.06	
UC215	75		130	77.8	30	33.3	44.5	12	M12X1.25	9.2	50.85	41.26	2.21	
UC215-47	74.613	2-15/16	130	77.8	30	33.3	44.5	12	7/16-20UNF	9.2	50.85	41.26	2.3	
UC215-48	76.2	3	130	77.8	30	33.3	44.5	12	7/16-20UNF	9.2	50.85	41.26	2.13	
UC216	80		140	82.6	33	33.3	49.3	12	M12X1.25	9.5	55.04	45.09	2.79	
UC217	85		150	85.7	35	34.1	51.6	12	M12X1.25	11.1	64.01	53.28	3.38	
UC217-52	82.55	3-1/4	150	85.7	35	34.1	51.6	12	7/16-20UNF	11.1	64.01	53.28	3.59	
UC218	90		160	96	37	39.7	56.3	12	M12X1.25	11.8	73.83	60.76	4.46	
UC218-56	88.9	3-1/2	160	96	37	39.7	56.3	12	7/16-20UNF	11.8	73.83	60.76	4.56	



UC2 (Normal-Duty) - Interchange

C&H	ASAHI FYH KOYO AMI NACHI PEER SNR	NTN NSK	FAFNIR INA	SKF MRC
UC201	UC201	UC201		
UC201-8	UC201-8	UC201-008		
UC202	UC202	UC202		
UC202-9	UC202-9	UC202-009		
UC202-10	UC202-10	UC202-010		
UC203	UC203	UC203		
UC203-11	UC203-11	UC203-011		
UC204	UC204	UC204	GYE20KRRB	YAR204-2F
UC204-12	UC204-12	UC204-012	GY1012KRRB	YAR204-012-2F
UC205	UC205	UC205	GYE25KRRB	YAR205-2F
UC205-13	UC205-13	UC205-013	GY1013KRRB	
UC205-14	UC205-14	UC205-014	GY1014KRRB	
UC205-15	UC205-15	UC205-015	GY1015KRRB	
UC205-16	UC205-16	UC205-100	GY1100KRRB	YAR205-100-2F
UC206	UC206	UC206	GYE30KRRB	YAR206-2F
UC206-17	UC206-17	UC206-101	GY1101KRRB	
UC206-18	UC206-18	UC206-102	GY1102KRRB	
UC206-19	UC206-19	UC206-103	GY1103KRRB	
UC206-20	UC206-20	UC206-104	GY1103KRRB3	YAR206-104-2F
UC207	UC207	UC207	GYE35KRRB	YAR207-2F
UC207-20	UC207-20	UC207-104	GY1104KRRB	
UC207-21	UC207-21	UC207-105	GY1105KRRB	
UC207-22	UC207-22	UC207-106	GY1106KRRB	
UC207-23	UC207-23	UC207-107	GY1107KRRB	
UC208	UC208	UC208	GYE40KRRB	YAR208-2F
UC208-24	UC208-24	UC208-108	GY1108KRRB	YAR208-108-2F
UC208-25	UC208-25	UC208-109	GY1109KRRB	
UC209	UC209	UC209	GYE45KRRB	YAR209-2F
UC209-26	UC209-26	UC209-110	GY1110KRRB	
UC209-27	UC209-27	UC209-111	GY1111KRRB	
UC209-28	UC209-28	UC209-112	GY1112KRRB	YAR209-112-2F
UC210	UC210	UC210	GYE50KRRB	YAR210-2F
UC210-29	UC210-29	UC210-113	GY1113KRRB	
UC210-30	UC210-30	UC210-114	GY1114KRRB	
UC210-31	UC210-31	UC210-115	GY1115KRRB	
UC210-32	UC210-32	UC210-200	GY1115KRRB2	

C&H	ASAHI FYH KOYO AMI NACHI PEER SNR	NTN NSK	FAFNIR INA	SKF MRC
UC211	UC211	UC211	GYE55KRRB	YAR211-2F
UC211-32	UC211-32	UC211-200	GY1200KRRB	
UC211-33	UC211-33	UC211-201	GY1201KRRB	
UC211-34	UC211-34	UC211-202	GY1202KRRB	
UC211-35	UC211-35	UC211-203	GY1203KRRB	
UC212	UC212	UC212D	GYE60KRRB	YAR212-2F
UC212-36	UC212-36	UC212-204	GY1204KRRB	
UC212-37	UC212-37	UC212-205	GY1205KRRB	
UC212-38	UC212-38	UC212-206	GY1206KRRB	
UC212-39	UC212-39	UC212-207	GY1207KRRB	
UC213	UC213	UC213		YAR213-2F
UC213-39	UC213-39	UC213-207		
UC213-40	UC213-40	UC213-208		YAR213-208-2F
UC213-41	UC213-41	UC213-209		
UC214	UC214	UC214	GYE70KRRB	YAR214-2F
UC214-42	UC214-42	UC214-210	GY1210KRRB	
UC214-43	UC214-43	UC214-211	GY1211KRRB	
UC214-44	UC214-44	UC214-212		
UC215	UC215	UC215	GYE75KRRB	YAR215-2F
UC215-44	UC215-44		GY1212KRRB	
UC215-45	UC215-45	UC215-213		
UC215-46	UC215-46	UC215-214	GY1214KRRB	
UC215-47	UC215-47	UC215-215	GY1215KRRB	
UC215-48	UC215-48	UC215-300		
UC216	UC216	UC216		YAR216-2F
UC216-49	UC216-49	UC216-301		
UC216-50	UC216-50	UC216-302		
UC216-51	UC216-51	UC216-303		
UC217	UC217	UC217		YAR217-2F
UC217-52	UC217-52	UC217-304		
UC217-53	UC217-53	UC217-305		
UC217-54	UC217-54	UC217-306		
UC217-55	UC217-55	UC217-307		
UC218	UC218	UC218		YAR218-2F
UC218-56	UC218-56	UC218-308		
UC220				YAR220-2F

C&H	NACHI .FYH. KOYO. PEER .SNR .	ASAHI IPTCI	Fafnir INA	SKF MRC
UCS201	UCS201	UCW201		YAR203/12-2F
UCS201-8	UCS201-8	UCW201-8	GY1008KRRB	
UCS202-9	UCS202-9	UCW202-9	GY1009KRRB	
UCS202	UCS202	UCW202	GYE15KRRB	YAR203/15-2F

C&H	NACHI .FYH. KOYO. PEER .SNR .	ASAHI IPTCI	Fafnir INA	SKF MRC
UCS202-10	UCS202-10	UCW202-10	GY1010KRRB	
UCS203	UCS203	UCW203	GYE17KRRB	YAR203-2F
UCS203-11	UCS203-11	UCW203-11	GY1011KRRB	

\* The interchange is only for customer reference. C&H is no responsibility for any mistake.



CUC2 (Normal-Duty) - Interchange

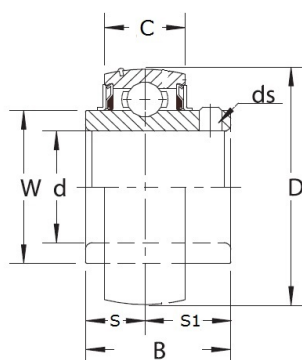
C&H	NACHI ASAHI	NTN NSK	FYH KOYO	Fafnir INA
CUCS201				
CUCS201-8				GY1008KRR
CUCS202-9				GY1009KRR
CUCS202				GYE15KRR
CUCS202-10				GY1010KRR
CUCS203				GYE17KRR
CUCS203-11				GY1011KRR
CUC201	UR201	UCS201	RB201	
CUC201-8	UR201-8	UCS201-008	RB201-8	
CUC202	UR202	UCS202	RB202	
CUC202-9	UR202-9	UCS202-009	RB202-9	
CUC202-10	UR202-10	UCS202-010	RB202-10	
CUC203	UR203	UCS203	RB203	
CUC203-11	UR203-11	UCS203-011	RB203-11	
CUC204	UR204	UCS204	RB204	GYE20KRR
CUC204-12	UR204-12	UCS204-012	RB204-12	GY1012KRR
CUC205	UR205	UCS205	RB205	GYE25KRR
CUC205-13	UR205-13	UCS205-013	RB205-13	GY1013KRR
CUC205-14	UR205-14	UCS205-014D	RB205-14	GY1014KRR
CUC205-15	UR205-15	UCS205-015D	RB205-15	GY1015KRR
CUC205-16	UR205-16	UCS205-100	RB205-16	GY1100KRR
CUC206	UR206	UCS206	RB206	GYE30KRR
CUC206-17	UR206-17	UCS206-101	RB206-17	GY1101KRR
CUC206-18	UR206-18	UCS206-102	RB206-18	GY1102KRR
CUC206-19	UR206-19	UCS206-103	RB206-19	GY1103KRR
CUC206-20	UR206-20	UCS206-104	RB206-20	GY1103KRR3
CUC207	UR207	UCS207	RB207	GYE35KRR
CUC207-20	UR207-20	UCS207-104	RB207-20	GY1104KRR
CUC207-21	UR207-21	UCS207-105	RB207-21	GY1105KRR
CUC207-22	UR207-22	UCS207-106	RB207-22	GY1106KRR
CUC207-23	UR207-23	UCS207-107	RB207-23	GY1107KRR
CUC208	UR208	UCS208	RB208	GYE40KRR
CUC208-24	UR208-24	UCS208-108	RB208-24	GY1108KRR
CUC208-25	UR208-25	UCS208-109	RB208-25	GY1109KRR
CUC209	UR209	UCS209		GYE45KRR
CUC209-26	UR209-26	UCS209-110		GY1110KRR
CUC209-27	UR209-27	UCS209-111		GY1111KRR
CUC209-28	UR209-28	UCS209-112		GY1112KRR
CUC210	UR210	UCS210		GYE50KRR
CUC210-29	UR210-29	UCS210-113		GY1113KRR

C&H	NACHI ASAHI	NTN NSK	Fafnir INA
CUC210-30	UR210-30	UCS210-114	GY1114KRR
CUC210-31	UR210-31	UCS210-115	GY1115KRR
CUC210-32	UR210-32	UCS210-200	GY1115KRR2
CUC211	UR211	UCS211	GYE55KRR
CUC211-32	UR211-32	UCS211-200	GY1200KRR
CUC211-33	UR211-33	UCS211-201	GY1201KRR
CUC211-34	UR211-34	UCS211-202	GY1202KRR
CUC211-35	UR211-35	UCS211-203	GY1203KRR
CUC212	UR212	UCS212D	GYE60KRR
CUC212-36	UR212-36	UCS212-204	GY1204KRR
CUC212-37	UR212-37	UCS212-205	GY1205KRR
CUC212-38	UR212-38	UCS212-206	GY1206KRR
CUC212-39	UR212-39	UCS212-207	GY1207KRR
CUC213	UR213	UCS213	
CUC213-39	UR213-39	UCS213-207	
CUC213-40	UR213-40	UCS213-208	
CUC213-41	UR213-41	UCS213-209	
CUC214	UR214	UCS214	GYE70KRR
CUC214-42	UR214-42	UCS214-210	GY1210KRR
CUC214-43	UR214-43	UCS214-211	GY1211KRR
CUC214-44	UR214-44	UCS214-212	
CUC215	UR215	UCS215	GYE75KRR
CUC215-44	UR215-44		GY1212KRR
CUC215-45	UR215-45	UCS215-213	
CUC215-46	UR215-46	UCS215-214	GY1214KRR
CUC215-47	UR215-47	UCS215-215	GY1215KRR
CUC215-48	UR215-48	UCS215-300	GY1300KRR
CUC216	UR216	UCS216	
CUC216-49	UR216-49	UCS216-301	
CUC216-50	UR216-50	UCS216-302	
CUC216-51	UR216-51	UCS216-303	
CUC217	UR217	UCS217	
CUC217-52	UR217-52	UCS217-304	
CUC217-53	UR217-53	UCS217-305	
CUC217-54	UR217-54	UCS217-306	
CUC217-55	UR217-55	UCS217-307	
CUC218	UR218	UCS218	
CUC218-56	UR218-56	UCS218-308	
CUC220	UR220		

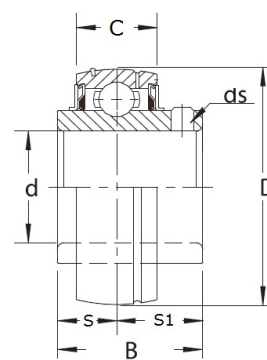
\* The interchange is only for customer reference. C&H is no responsibility for any mistake.

UCX ( Medium-Duty )

- ◆ Set crew locking
- ◆ Wider inner ring
- ◆ Available relubricable type - suffix " G "
- ◆ Available cylindrical OD -prefix " C "
- ◆ Available stainless steel -prefix " S "
- ◆ SL seal - no suffix
- ◆ Available tri-lip seal - suffix " L3 "



UC  
Spherical O.D.



UC...G  
Relubricable Type



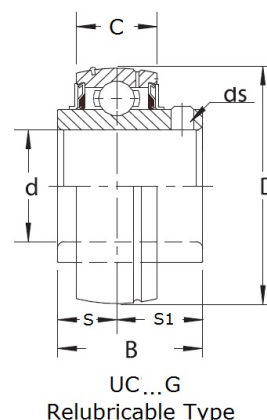
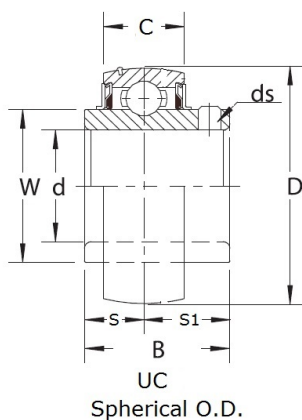
B-type Seal



L3-type Seal

Bearing No.	Shaft Dia		Dimensions( mm)							ds	Basic Load ratings			Mass
	d		D	B	C	S	S1	G	Ca		Cr	Cor		
	mm	in											mm	
UCX05		25	62	38.1	19	15.9	22.2	5.5	M6X1	5.3	14.97	10.04	0.39	
UCX05-13	13/16	20.637	62	38.1	19	15.9	22.2	5.5	1/4-28UNF	5.3	14.97	10.04	0.39	
UCX05-14	7/8	22.225	62	38.1	19	15.9	22.2	5.5	1/4-28UNF	5.3	14.97	10.04	0.39	
UCX05-15	15/16	23.813	62	38.1	19	15.9	22.2	5.5	1/4-28UNF	5.3	14.97	10.04	0.39	
UCX05-16	1	25.4	62	38.1	19	15.9	22.2	5.5	1/4-28UNF	5.3	14.97	10.04	0.39	
UCX06		30	72	42.9	20	17.5	25.4	6.9	M8X1	5.8	19.75	13.67	0.68	
UCX06-17	1-1/16	26.988	72	42.9	20	17.5	25.4	6.9	5/16-24UNF	5.8	19.75	13.67	0.68	
UCX06-18	1-1/8	28.575	72	42.9	20	17.5	25.4	6.9	5/16-24UNF	5.8	19.75	13.67	0.68	
UCX06-19	1-3/16	30.163	72	42.9	20	17.5	25.4	6.9	5/16-24UNF	5.8	19.75	13.67	0.68	
UCX06-20	1-1/4	31.75	72	42.9	20	17.5	25.4	6.9	5/16-24UNF	5.8	19.75	13.67	0.68	
UCX07		35	80	49.2	21	19	30.2	8	M8X1	6.2	22.71	15.94	0.82	
UCX07-21	1-5/16	33.338	80	49.2	21	19	30.2	8	5/16-24UNF	6.2	22.71	15.94	0.82	
UCX07-22	1-3/8	34.925	80	49.2	21	19	30.2	8	5/16-24UNF	6.2	22.71	15.94	0.82	
UCX07-23	1-7/16	36.513	80	49.2	21	19	30.2	8	5/16-24UNF	6.2	22.71	15.94	0.82	
UCX08		40	85	49.2	22	19	30.2	8	M8X1	6.5	24.36	17.71	0.93	
UCX08-24	1-1/2	38.1	85	49.2	22	19	30.2	8	5/16-24UNF	6.5	24.36	17.71	0.93	
UCX08-25	1-9/16	39.688	85	49.2	22	19	30.2	8	5/16-24UNF	6.5	24.36	17.71	0.93	
UCX09		45	90	51.6	24	19	32.6	10	M10X1.25	7	26.98	19.84	1	
UCX09-26	1-5/8	41.275	90	51.6	24	19	32.6	10	3/8-24UNF	7	26.98	19.84	1	
UCX09-27	1-11/16	42.863	90	51.6	24	19	32.6	10	3/8-24UNF	7	26.98	19.84	1	
UCX09-28	1-3/4	44.45	90	51.6	24	19	32.6	10	3/8-24UNF	7	26.98	19.84	1	
UCX10		50	100	55.6	25	22.2	33.4	10	M10X1.25	7.4	33.37	25.11	1.35	
UCX10-30	1-7/8	47.625	100	55.6	25	22.2	33.4	10	3/8-24UNF	7.4	33.37	25.11	1.35	
UCX10-31	1-15/16	49.213	100	55.6	25	22.2	33.4	10	3/8-24UNF	7.4	33.37	25.11	1.35	
UCX11		55	110	65.1	27	25.4	39.7	10	M10X1.25	7.6	36.74	27.97	1.9	
UCX11-33	2-1/16	52.388	110	65.1	27	25.4	39.7	10	3/8-24UNF	7.6	36.74	27.97	1.9	
UCX11-34	2-1/8	53.975	110	65.1	27	25.4	39.7	10	3/8-24UNF	7.6	36.74	27.97	1.9	
UCX11-35	2-3/16	55.563	110	65.1	27	25.4	39.7	10	3/8-24UNF	7.6	36.74	27.97	1.9	
UCX11-36	2-1/2	57.15	110	65.1	27	25.4	39.7	10	3/8-24UNF	7.6	36.74	27.97	1.9	

UCX ( Medium-Duty )



Bearing No.	Shaft Dia		Dimensions( mm)							Basic Load ratings			Mass
	d		D	B	C	S	S1	G	ds	Ca	Cr	Cor	
	mm	in											
UCX12		60	120	65.1	28	25.4	39.7	10	M10X1.25	8.5	44.01	34.18	2.27
UCX12-38	2-3/8	60.325	120	65.1	28	25.4	39.7	10	3/8-24UNF	8.5	44.01	34.18	2.27
UCX12-39	2-7/16	61.913	120	65.1	28	25.4	39.7	10	3/8-24UNF	8.5	44.01	34.18	2.27
UCX13		65	125	74.6	29	30.2	44.4	12	M12X1.25	8.9	46.79	37.59	2.45
UCX13-40	2-1/2	63.5	125	74.6	29	30.2	44.4	12	7/16-20UNF	8.9	46.79	37.59	2.45
UCX13-41	2-9/16	65.088	125	74.6	29	30.2	44.4	12	7/16-20UNF	8.9	46.79	37.59	2.45
UCX14		70	130	77.8	30	33.3	44.5	12	M12X1.25	9.2	50.85	41.26	2.47
UCX14-42	2-3/8	66.675	130	77.8	30	33.3	44.5	12	7/16-20UNF	9.2	50.85	41.26	2.47
UCX14-43	2-11/16	68.263	130	77.8	30	33.3	44.5	12	7/16-20UNF	9.2	50.85	41.26	2.47
UCX14-44	2-3/4	69.853	130	77.8	30	33.3	44.5	12	7/16-20UNF	9.2	50.85	41.26	2.47
UCX15		75	140	82.6	33	33.3	49.3	12	M12X1.25	9.5	55.04	45.09	3.11
UCX15-45	2-13/16	71.438	140	82.6	33	33.3	49.3	12	7/16-20UNF	9.5	55.04	45.09	3.11
UCX15-46	2-7/8	73.025	140	82.6	33	33.3	49.3	12	7/16-20UNF	9.5	55.04	45.09	3.11
UCX15-47	2-15/16	74.613	140	82.6	33	33.3	49.3	12	7/16-20UNF	9.5	55.04	45.09	3.11
UCX15-48	3	76.2	140	82.6	33	33.3	49.3	12	7/16-20UNF	9.5	55.04	45.09	3.11
UCX16		80	150	85.7	35	34.1	51.6	12	M12X1.25	11.1	64.01	53.28	3.79
UCX16-49	3-1/16	77.788	150	85.7	35	34.1	51.6	12	7/16-20UNF	11.1	64.01	53.28	3.79
UCX16-50	3-1/8	79.375	150	85.7	35	34.1	51.6	12	7/16-20UNF	11.1	64.01	53.28	3.79
UCX16-51	3-3/16	80.963	150	85.7	35	34.1	51.6	12	7/16-20UNF	11.1	64.01	53.28	3.79
UCX17		85	160	96	37	39.7	56.3	12	M12X1.25	11.8	73.83	60.76	4.82
UCX17-53	3-5/16	84.138	160	96	37	39.7	56.3	12	1/2-20UNF	11.8	73.83	60.76	4.82
UCX17-55	3-7/16	97.313	160	96	37	39.7	56.3	12	1/2-20UNF	11.8	73.83	60.76	4.82



UCX ( Medium-Duty ) -Interchange

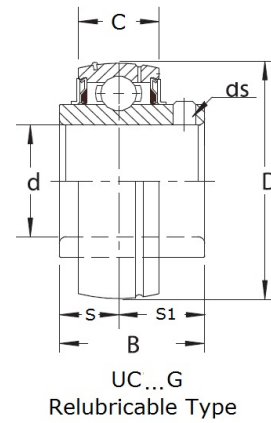
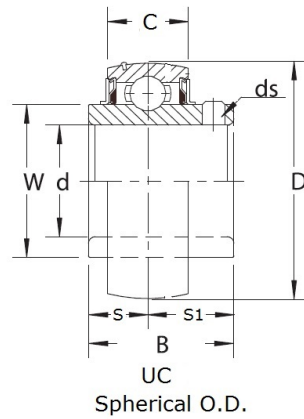
C&H	ASAHI FYH KOYO NACHI AMI PEER	NTN NSK	FAFNIR
UCX05	UCX05	UCX05	
UCX05-13	UCX05-13	UCX05-013	
UCX05-14	UCX05-14	UCX05-014	
UCX05-15	UCX05-15	UCX05-015	
UCX05-16	UCX05-16	UCX05-100	GYM1100KRRB
UCX06	UCX06	UCX06	
UCX06-17	UCX06-17	UCX06-101	
UCX06-18	UCX06-18	UCX06-102	
UCX06-19	UCX06-19	UCX06-103	GYM1103KRRB
UCX06-20	UCX06-20		
UCX07	UCX07	UCX07	
UCX07-21	UCX07-21	UCX07-105	
UCX07-22	UCX07-22	UCX07-106	
UCX07-23	UCX07-23	UCX07-107	GYM1107KRRB
UCX08	UCX08	UCX08	
UCX08-24	UCX08-24	UCX08-108	GYM1108KRRB
UCX08-25	UCX08-25	UCX08-109	
UCX09	UCX09	UCX09	
UCX09-26	UCX09-26	UCX09-110	
UCX09-27	UCX09-27	UCX09-111	GYM1111KRRB
UCX09-28	UCX09-28	UCX09-112	GYM1112KRRB
UCX10	UCX10	UCX10	
UCX10-30	UCX10-30	UCX10-113	
UCX10-31	UCX10-31	UCX10-114	
UCX10-32	UCX10-32		GYM1200KRRB
UCX11	UCX11	UCX11	
UCX11-33	UCX11-33	UCX11-201	
UCX11-34	UCX11-34	UCX11-202	
UCX11-35	UCX11-35	UCX11-203	GYM1203KRRB
UCX11-36	UCX11-36		GYM1204KRRB

C&H	ASAHI FYH KOYO NACHI AMI PEER	NTN NSK	FAFNIR
UCX12	UCX12	UCX12	
UCX12-38	UCX12-38	UCX12-206	
UCX12-39	UCX12-39	UCX12-207	GYM1207KRRB
UCX13	UCX13	UCX13	
UCX13-40	UCX13-40	UCX13-208	GYM1208KRRB
UCX13-41	UCX13-41	UCX13-209	
UCX14	UCX14	UCX14	
UCX14-42	UCX14-42	UCX14-210	
UCX14-43	UCX14-43	UCX14-211	GYM1211KRRB
UCX14-44	UCX14-44	UCX14-212	
UCX15	UCX15	UCX15	
UCX15-45	UCX15-45	UCX15-213	
UCX15-46	UCX15-46	UCX15-214	
UCX15-47	UCX15-47	UCX15-215	GYM1215KRRB
UCX15-48	UCX15-48	UCX15-300	GYM1300KRRB
UCX16	UCX16	UCX16	
UCX16-49	UCX16-49	UCX16-301	
UCX16-50	UCX16-50	UCX16-302	
UCX16-51	UCX16-51	UCX16-303	
UCX17	UCX17	UCX17	
UCX17-53	UCX17-53	UCX17-305	
UCX17-55	UCX17-55	UCX17-307	
UCX18	UCX18	UCX18	
UCX18-55	UCX18-55	UCX18-307	
UCX18-56	UCX18-56	UCX18-308	
UCX20	UCX20	UCX20	
UCX20-61	UCX20-61	UCX20-313	
UCX20-62	UCX20-62	UCX20-314	
UCX20-63	UCX20-63	UCX20-315	
UCX20-64	UCX20-64	UCX20-400	

\* The interchange is only for customer reference. C&H is no responsibility for any mistake.

UC300 ( Heavy-Duty )

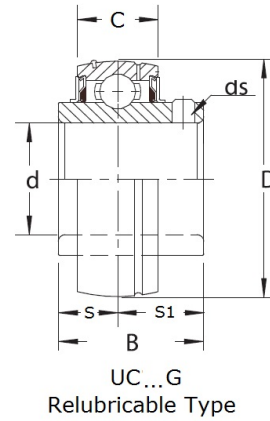
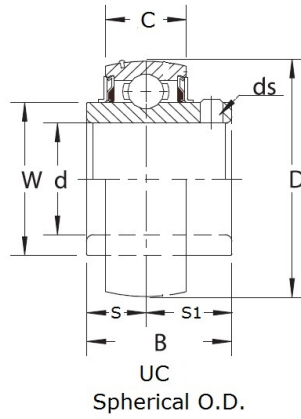
- ◆ Set crew locking
- ◆ Wider inner ring
- ◆ Available relubricable type - suffix " G "
- ◆ Available cylindrical OD -prefix " C "
- ◆ Available stainless steel -prefix " S "
- ◆ SL seal - no suffix
- ◆ Available tri-lip seal - suffix " L3 "



Bearing No.	Shaft Dia		Dimensions( mm)							Basic Load ratings			Mass kg
	d		D	B	C	S	S1	G	ds	Ca	Cr	Cor	
	mm	in											
UC305		25	62	38	21	15	23	6	M6X1	6.4	17.22	11.39	0.44
UC305-14	7/8	22.225	62	38	21	15	23	6	1/4-28UNF	6.4	17.22	11.39	0.44
UC305-15	15/16	23.813	62	38	21	15	23	6	1/4-28UNF	6.4	17.22	11.39	0.44
UC305-16	1	25.4	62	38	21	15	23	6	1/4-28UNF	6.4	17.22	11.39	0.44
UC306		30	72	43	23	17	26	6	M6X1	7.1	20.77	14.17	0.56
UC306-18	1-1/8	28.575	72	43	23	17	26	6	1/4-28UNF	7.1	20.77	14.17	0.56
UC306-19	1-3/16	30.163	72	43	23	17	26	6	1/4-28UNF	7.1	20.77	14.17	0.56
UC307		35	80	48	25	19	29	8	M8X1	8	25.66	17.92	0.71
UC307-20	1-1/4	31.75	80	48	25	19	29	8	5/16-24UNF	8	25.66	17.92	0.71
UC307-21	1-5/16	33.338	80	48	25	19	29	8	5/16-24UNF	8	25.66	17.92	0.71
UC307-22	1-3/8	34.925	80	48	25	19	29	8	5/16-24UNF	8	25.66	17.92	0.71
UC308		40	90	52	27	19	33	10	M10X1.25	9	31.35	22.38	1
UC308-24	1-1/2	38.1	90	52	27	19	33	10	3/8-24UNF	9	31.35	22.38	1
UC308-25	1-9/16	39.688	90	52	27	19	33	10	3/8-24UNF	9	31.35	22.38	1
UC309		45	100	57	30	22	35	10	M10X1.25	9.5	40.66	30	1.28
UC309-26	1-5/8	41.275	100	57	30	22	35	10	3/8-24UNF	9.5	40.66	30	1.28
UC309-27	1-11/16	42.863	100	57	30	22	35	10	3/8-24UNF	9.5	40.66	30	1.28
UC309-28	1-3/4	44.45	100	57	30	22	35	10	3/8-24UNF	9.5	40.66	30	1.28
UC310		50	110	61	32	22	39	12	M12X1.25	10.5	47.58	35.71	1.65
UC310-30	1-7/8	47.625	110	61	32	22	39	12	7/16-20UNF	10.5	47.58	35.71	1.65
UC310-31	1-15/16	49.213	110	61	32	22	39	12	7/16-20UNF	10.5	47.58	35.71	1.65
UC311		55	120	66	34	25	41	12	M12X1.25	11	55.05	41.91	2.07
UC311-32	2	50.8	120	66	34	25	41	12	7/16-20UNF	11	55.05	41.91	2.07
UC311-34	2-1/8	53.975	120	66	34	25	41	12	7/16-20UNF	11	55.05	41.91	2.07
UC311-35	2-3/16	55.563	120	66	34	25	41	12	7/16-20UNF	11	55.05	41.91	2.07
UC312		60	130	71	36	26	45	12	M12X1.25	11.5	62.88	48.6	2.59
UC312-36	2-1/4	57.15	130	71	36	26	45	12	7/16-20UNF	11.5	62.88	48.6	2.59
UC312-38	2-3/8	60.325	130	71	36	26	45	12	7/16-20UNF	11.5	62.88	48.6	2.59
UC312-39	2-7/16	61.913	130	71	36	26	45	12	7/16-20UNF	11.5	62.88	48.6	2.59



UC300 ( Heavy-Duty )



Bearing No.	Shaft Dia		Dimensions( mm)								Basic Load ratings		Mass kg
	d		D	B	C	S	S1	G	ds	Ca	Cr	Cor	
	mm	in											
UC313		65	140	75	38	30	45	12	M12X1.25	12.5	72.21	56.68	3.15
UC313-40	2-1/2	63.5	140	75	38	30	45	12	7/16-20UNF	12.5	72.21	56.68	3.15
UC314		70	150	78	40	33	45	12	M12X1.25	13.2	80.1	63.48	3.83
UC314-44	2-3/4	69.853	150	78	40	33	45	12	7/16-20UNF	13.2	80.1	63.48	3.83
UC315		75	160	82	42	32	50	12	M14X1.5	14	87.25	71.67	4.59
UC315-48	3	76.2	160	82	42	32	50	12	1/2-20UNF	14	87.25	71.67	4.59
UC316		80	170	86	44	34	52	14	M14X1.5	14.9	94.57	80.35	5.4
UC317		85	180	96	46	40	56	16	M16X1.5	16	102.05	89.52	6.58
UC317-52	3-1/4	82.55	180	96	46	40	56	16	5/8-18UNF	16	102.05	89.52	6.58
UC318		90	190	96	48	40	56	16	M16X1.5	17.3	110.81	100.76	7.34
UC318-56	3-1/2	88.9	190	96	48	40	56	16	5/8-18UNF	17.3	110.81	100.76	7.34
UC319		95	200	103	50	41	62	16	M16X1.5	18.3	120.51	113.75	8.7
UC319-60	3-3/4	95.25	200	103	50	41	62	16	5/8-18UNF	18.3	120.51	113.75	8.7
UC320		100	215	108	54	42	66	18	M18X1.5	20	133.06	131.18	10.8
UC320-64	4	101.6	215	108	54	42	66	18	5/8-18UNF	20	133.06	131.18	10.8
UC321		105	225	112	56	44	68	18	M18X1.5	20.8	141.3	142.84	12.2
UC322		110	240	117	60	46	71	18	M18X1.5	20.9	157.66	167.64	14.3
UC324		120	260	126	64	51	75	18	M18X1.5	22.9	175.07	194.42	18.5
UC326		130	280	135	68	54	81	20	M20X1.5	24.9	194.93	226.71	23
UC328		140	300	145	72	59	86	20	M20X1.5	26.9	211.38	253.93	28.5



UC3 and CUC3 ( Heavy-Duty ) - Interchange

Crowned Outer Rings

C&H ASAHI FYH KOYO NACHI AMI PEER SNR	NTN NSK
UC305	UC305
UC305-13	UC305-013
UC305-14	UC305-014
UC305-15	UC305-015
UC305-16	UC305-100
UC306	UC306
UC306-17	UC306-101
UC306-18	UC306-102
UC306-19	UC306-103
UC307	UC307
UC307-20	UC307-104
UC307-21	UC307-105
UC307-22	UC307-106
UC307-23	UC307-107
UC308	UC308
UC308-24	UC308-108
UC308-25	UC308-109
UC309	UC309
UC309-26	UC309-110
UC309-27	UC309-111
UC309-28	UC309-112
UC310	UC310
UC310-29	UC310-113
UC310-30	UC310-114
UC310-31	UC310-115
UC311	UC311
UC311-32	UC311-200
UC311-33	UC311-201
UC311-34	UC311-202
UC311-35	UC311-203
UC312	UC312
UC312-36	UC312-204
UC312-37	UC312-205
UC312-38	UC312-206
UC312-39	UC312-207
UC313	UC313

Crowned Outer Rings

C&H ASAHI FYH KOYO NACHI AMI PEER SNR	NTN NSK
UC313-40	UC313-208
UC313-41	UC313-209
UC314	UC314
UC314-42	UC314-210
UC314-43	UC314-211
UC314-44	UC314-212
UC315	UC315
UC315-45	UC315-213
UC315-46	UC315-214
UC315-47	UC315-215
UC315-48	UC315-300
UC316	UC316
UC316-49	UC316-301
UC316-50	UC316-302
UC316-51	UC316-303
UC317	UC317
UC317-52	UC317-304
UC317-53	UC317-305
UC317-55	UC317-307
UC318	UC318
UC318-55	UC318-307
UC318-56	UC318-308
UC319	UC319
UC319-58	UC319-310
UC319-59	UC319-311
UC319-60	UC319-312
UC320	UC320
UC320-61	UC320-313
UC320-62	UC320-314
UC320-63	UC320-315
UC320-64	UC320-400
UC321	UC321
UC322	UC322
UC324	UC324
UC326	UC326
UC328	UC328

Cylindrical Outer Rings

C&H ASAHI FYH KOYO NACHI PEER SNR	NTN NSK
CUC305	UCS305
CUC305-13	UCS305-013
CUC305-14	UCS305-014
CUC305-15	UCS305-015
CUC305-16	UCS305-100
CUC306	UCS306
CUC306-17	UCS306-101
CUC306-18	UCS306-102
CUC306-19	UCS306-103
CUC307	UCS307
CUC307-20	UCS307-104
CUC307-21	UCS307-105
CUC307-22	UCS307-106
CUC307-23	UCS307-107
CUC308	UCS308
CUC308-24	UCS308-108
CUC308-25	UCS308-109
CUC309	UCS309
CUC309-26	UCS309-110
CUC309-27	UCS309-111
CUC309-28	UCS309-112
CUC310	UCS310
CUC310-29	UCS310-113
CUC310-30	UCS310-114
CUC310-31	UCS310-115
CUC311	UCS311
CUC311-32	UCS311-200
CUC311-33	UCS311-201
CUC311-34	UCS311-202
CUC311-35	UCS311-203
CUC312	UCS312
CUC312-36	UCS312-204
CUC312-37	UCS312-205
CUC312-38	UCS312-206
CUC312-39	UCS312-207
CUC313	UCS313

Cylindrical Outer Rings

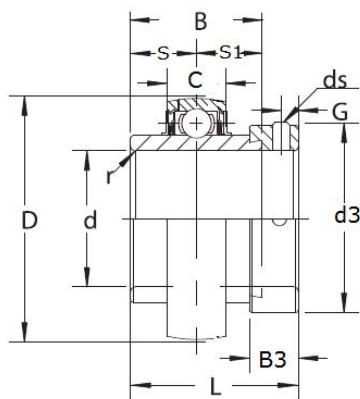
C&H ASAHI FYH KOYO NACHI PEER SNR	NTN NSK
CUC313-40	UCS313-208
CUC313-41	UCS313-209
CUC314	UCS314
CUC314-42	UCS314-210
CUC314-43	UCS314-211
CUC314-44	UCS314-212
CUC315	UCS315
CUC315-45	UCS315-213
CUC315-46	UCS315-214
CUC315-47	UCS315-215
CUC315-48	UCS315-300
CUC316	UCS316
CUC316-49	UCS316-301
CUC316-50	UCS316-302
CUC316-51	UCS316-303
CUC317	UCS317
CUC317-52	UCS317-304
CUC317-53	UCS317-305
CUC317-55	UCS317-307
CUC318	UCS318
CUC318-55	UCS318-307
CUC318-56	UCS318-308
CUC319	
CUC319-58	
CUC319-59	
CUC319-60	
CUC320	
CUC320-61	
CUC320-62	
CUC320-63	
CUC320-64	
CUC321	
CUC322	
CUC324	
CUC326	
CUC328	

\* The interchange is only for customer reference. C&H is no responsibility for any mistake.

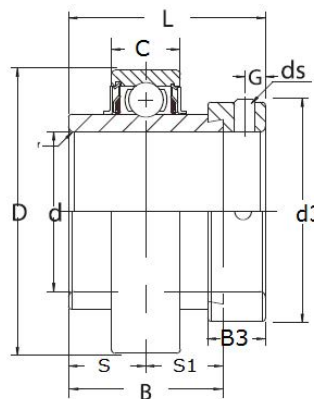


NA2- ( Normal-Duty )

- ◆ Eccentric locking collar
- ◆ Wider inner ring
- ◆ Available relubricable type - suffix " G "
- ◆ Available cylindrical OD -prefix " C "
- ◆ Available stainless steel -prefix " S "
- ◆ SL seal - no suffix
- ◆ Available Tri-lip Seal - suffix " L3 "



NA2...(HC2...)  
Spherical O.D.



CNA...(HCR2...)  
Cylindrical O.D.



Crowned outer ring NA	Cylindrical outer ring CAN	Dimensinons					Weight KG
		d mm	D mm	B mm	C mm	L mm	
NAS201		12					0.23
NAS201-8		12.7					0.23
NAS202S		15					0.22
NAS202-9		14.288	40	27.8	14	37.3	0.21
NAS202-10		15.875					0.21
NAS203S		17					0.20
NAS203-11		17.463					0.10
NA201	CNA201	12					0.28
NA201-8	CNA201-8	12.7					0.27
NA202-9	CNA202-9	14.288					0.27
NA202	CNA202	15					0.26
NA202-10	CNA202-10	15.875	47	34.2	16	43.7	0.25
NA203	CNA203	17					0.24
NA203-11	CNA203-11	17.463					0.24
NA204-12	CNA204-12	19.05					0.23
NA204	CNA204	20					0.22
NA205-13	CNA205-13	20.638					0.31
NA205-14	CNA205-14	22.225					0.29
NA205-15	CNA205-15	23.813	52	34.9	17	44.4	0.27
NA205	CNA205	25					0.25
NA205-16	CNA205-16	25.4					0.24
NA206-17	CNA206-17	26.988					0.45
NA206-18	CNA206-18	28.575					0.43
NA206	CNA206	30	62	36.5	19	48.4	0.41
NA206-19	CNA206-19	30.163					0.40
NA206-20	CNA206-20	31.75					0.38
NA207-20	CNA207-20	31.75					0.68
NA207-21	CNA207-21	33.338					0.65
NA207-22	CNA207-22	34.925	72	37.6	20	51.1	0.61
NA207	CNA207	35					0.60
NA207-23	CNA207-23	36.513					0.58
NA208-24	CNA208-24	38.1					0.83
NA208-25	CNA208-25	39.688	80	42.8	21	56.3	0.79
NA208	CNA208	40					0.78
NA209-26	CNA209-26	41.275					0.96
NA209-27	CNA209-27	42.863					0.91
NA209-28	CNA209-28	44.45	85	42.8	22	56.3	0.87
NA209	CNA209	45					0.85

Crowned outer ring NA	Cylindrical outer ring CAN	Dimensinons					Weight KG
		d mm	D mm	B mm	C mm	L mm	
NA210-29	CNA210-29	46.038					1.11
NA210-30	CNA210-30	47.625					1.10
NA210-31	CNA210-31	49.213	90	49.2	23	62.7	1.04
NA210	CNA210	50					1.01
NA210-32	CNA210-32	50.8					0.95
NA211-32	CNA211-32	50.8					1.58
NA211-33	CNA211-33	52.388					1.50
NA211-34	CNA211-34	53.975	100	55.5	25	71.3	1.44
NA211	CNA211	55					1.39
NA211-35	CNA211-35	55.563					1.36
NA212-36	CNA212-36	57.15					2.03
NA212-37	CNA212-37	58.738					1.95
NA212	CNA212	60	110	61.8	27	77.7	1.87
NA212-38	CNA212-38	60.325					1.85
NA212-39	CNA212-39	61.913					1.76
NA213-40	CNA213-40	63.5					2.51
NA213	CNA213	65	120	68.2	28	85.7	2.41
NA213-41	CNA213-41	65.088					2.39
NA214-42	CNA214-42	66.675					2.69
NA214-43	CNA214-43	68.263	125	68.2	30	85.7	2.65
NA214-44	CNA214-44	69.85					2.58
NA214	CNA214	70					2.57
NA215-45	CNA215-45	71.438					2.99
NA215-46	CNA215-46	73.025					2.96
NA215-47	CNA215-47	74.613	130	74.6	30	92.1	2.95
NA215	CNA215	75					2.84
NA215-48	CNA215-48	76.2					2.74
NA216-49	CNA216-49	77.788					3.22
NA216-50	CNA216-50	79.375	140	74.6	33	95.2	3.18
NA216	CNA216	80					3.12
NA216-51	CNA216-51	80.963					3.12
NA217-52	CNA217-52	82.55					3.79
NA217-53	CNA217-53	84.138	150	76	35	100	3.68
NA217	CNA217	85					3.59
NA217-55	CNA217-55	87.313					3.49
NA218-56	CNA218-56	88.9	160	79	37	106.3	4.45
NA218	CNA218	90					4.55



NA2- Interchane

C&H FYH KOYO	PEER	NACHI ASAHI AMI	SNR	NTN NSK	FAFNIR INA	SKF MRC	C&H FYH KOYO	PEER	NACHI ASAHI AMI	NTN NSK	FAFNIR INA	SKF MRC
relubricable type add suffix "G"				relubricable type add suffix "D1"	relubricable type add prefix "G"		relubricabl e type add suffix "G"			relubricable type add suffix "D1"	relubricable type add prefix "G"	
NAS201	HCS201	UGW201	EX201			YEL203/12-2F	NA210	HC210	UG210	UEL210	E50KRRB	YEL210-2F
NAS201-8	HCS201-8	UGW201-8	EX201-8		1008KRRB		NA210-29	HC210-29	UG210-29	UEL210-113	1113KRRB	
NAS202	HCS202	UGW202	EX202		E15KRRB	YEL203/15-2F	NA210-30	HC210-30	UG210-30	UEL210-114	1114KRRB	
NAS202-9	HCS202-9	UGW202-9	EX202-9		1009KRRB		NA210-31	HC210-31	UG210-31	UEL210-115	1115KRRB	
NAS202-10	HCS202-10	UGW202-10	EX202-10		1010KRRB		NA210-32	HC210-32	UG210-32	UEL210-200		
NAS203	HCS203	UGW203	EX203		E17KRRB	YEL203-2F	NA211	HC211	UG211	UEL211	E55KRRB	YEL211-2F
NAS203-11	HCS203-11	UGW203-11	EX203-11		1011KRRB		NA211-32	HC211-32	UG211-32	UEL211-200	1200KRRB	
NA201	HC201	UG201					NA211-33	HC211-33	UG211-33	UEL211-201	1201KRRB	
NA201-8	HC201-8	UG201-8					NA211-34	HC211-34	UG211-34	UEL211-202	1202KRRB	
NA202	HC202	UG202					NA211-35	HC211-35	UG211-35	UEL211-203	1203KRRB	
NA202-9	HC202-9	UG202-9					NA212	HC212	UG212	UEL212	E60KRRB	YEL212-2F
NA202-10	HC202-10	UG202-10					NA212-36	HC212-36	UG212-36	UEL212-204	1204KRRB	
NA203	HC203	UG203					NA212-37	HC212-37	UG212-37	UEL212-205	1205KRRB	
NA203-11	HC203-11	UG203-11					NA212-38	HC212-38	UG212-38	UEL212-206	1206KRRB	
NA204	HC204	UG204		UEL204	E20KRRB	YEL204-2F	NA212-39	HC212-39	UG212-39	UEL212-207	1207KRRB	
NA204-12	HC204-12	UG204-12		UEL204-012	1012KRRB	YEL204-012-2F	NA213	HC213	UG213	UEL213	E65KRRB	YEL213-2F
NA205	HC205	UG205	EX205	UEL205	E25KRRB	YEL205-2F	NA213-39	HC213-39	UG213-39	UEL213-207		
NA205-13	HC205-13	UG205-13	EX205-13	UEL205-013	1013KRRB		NA213-40	HC213-40	UG213-40	UEL213-208	1208KRRB	YEL213-208-2F
NA205-14	HC205-14	UG205-14	EX205-14	UEL205-014	1014KRRB		NA213-41	HC213-41	UG213-41	UEL213-209	1209KRRB	
NA205-15	HC205-15	UG205-15	EX205-15	UEL205-015	1015KRRB		NA214	HC214	UG214	UEL214	E70KRRB	YEL214-2F
NA205-16	HC205-16	UG205-16	EX205-16	UEL205-100	1100KRRB	YEL205-100-2F	NA214-42	HC214-42	UG214-42	UEL214-210	1210KRRB	
NA206	HC206	UG206	EX206	UEL206	E30KRRB	YEL206-2F	NA214-43	HC214-43	UG214-43	UEL214-211	1211KRRB	
NA206-17	HC206-17	UG206-17	EX206-17	UEL206-101	1101KRRB		NA214-44	HC214-44	UG214-44	UEL214-212	1212KRRB	
NA206-18	HC206-18	UG206-18	EX206-18	UEL206-102	1102KRRB		NA215	HC215	UG215	UEL215	E75KRRB	YEL215-2F
NA206-19	HC206-19	UG206-19	EX206-19	UEL206-103	1103KRRB		NA215-45	HC215-45	UG215-45	UEL215-213	1213KRRB	
NA206-20	HC206-20	UG206-20	EX206-20	UEL206-104	1103KRRB3	YEL206-104-2F	NA215-46	HC215-46	UG215-46	UEL215-214	1214KRRB	
NA207	HC207	UG207	EX207	UEL207	E35KRRB	YEL207-2F	NA215-47	HC215-47	UG215-47	UEL215-215	1215KRRB	
NA207-20	HC207-20	UG207-20	EX207-20	UEL207-104	1104KRRB		NA215-48	HC215-48	UG215-48	UEL215-300	1300KRRB	
NA207-21	HC207-21	UG207-21	EX207-21	UEL207-105	1105KRRB		NA216		UG216			YEL216-2F
NA207-22	HC207-22	UG207-22	EX207-22	UEL207-106	1106KRRB		NA216-49		UG216-49			
NA207-23	HC207-23	UG207-23	EX207-23	UEL207-107	1107KRRB		NA216-50		UG216-50			
NA208	HC208	UG208	EX208	UEL208	E40KRRB	YEL208-2F	NA216-51		UG216-51			
NA208-24	HC208-24	UG208-24	EX208-24	UEL208-108	1108KRRB	YEL208-108-2F	NA217		UG217			YEL217-2F
NA208-25	HC208-25	UG208-25	EX208-25	UEL208-109	1109KRRB		NA217-52		UG217-52			
NA209	HC209	UG209	EX209	UEL209	E45KRRB	YEL209-2F	NA217-53		UG217-53			
NA209-26	HC209-26	UG209-26	EX209-26	UEL209-110	1110KRRB		NA217-55		UG217-55			
NA209-27	HC209-27	UG209-27	EX209-27	UEL209-111	1111KRRB		NA218		UG218			
NA209-28	HC209-28	UG209-28	EX209-28	UEL209-112	1112KRRB	YEL209-112-2F	NA218-56		UG218-56			YEL218-2F

\* The interchange is only for customer reference. C&H is no responsibility for any mistake.



CNA2- Interchane

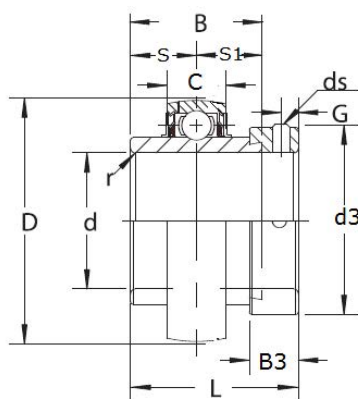
C&H	FYH KOYO IPTCI	PEER	NTN NSK	FAFNIR INA	C&H FYH KOYO IPTCI	PEER	NTN NSK	FAFNIR INA
relubricable type add suffix "G"			relubricable type add suffix "D1"	relubricable type add prefix "G"	relubricable type add suffix "G"		relubricable type add suffix "D1"	relubricable type add prefix "G"
CNAS201	CNAW201	HCRS201			CNA210	HCR210	UELS210	E50KRR
CNAS201-8	CNAW201-8	HCRS201-8		1008KRR	CNA210-29	HCR210-29	UELS210-113	1113KRR
CNAS202	CNAW202	HCRS202		E15KRR	CNA210-30	HCR210-30	UELS210-114	1114KRR
CNAS202-9	CNAW202-9	HCRS202-9		1009KRR	CNA210-31	HCR210-31	UELS210-115	1115KRR
CNAS202-10	CNAW202-10	HCRS202-10		1010KRR	CNA210-32	HCR210-32	UELS210-200	
CNAS203	CNAW203	HCRS203		E17KRR	CNA211	HCR211	UELS211	E55KRR
CNAS203-11	CNAW203-11	HCRS203-11		1011KRR	CNA211-32	HCR211-32	UELS211-200	1200KRR
CNA201	CNA201	HCR201			CNA211-33	HCR211-33	UELS211-201	1201KRR
CNA201-8	CNA201-8	HCR201-8			CNA211-34	HCR211-34	UELS211-202	1202KRR
CNA202	CNA202	HCR202			CNA211-35	HCR211-35	UELS211-203	1203KRR
CNA202-9	CNA202-9	HCR202-9			CNA212	HCR212	UELS212	E60KRR
CNA202-10	CNA202-10	HCR202-10			CNA212-36	HCR212-36	UELS212-204	1204KRR
CNA203	CNA203	HCR203			CNA212-37	HCR212-37	UELS212-205	1205KRR
CNA203-11	CNA203-11	HCR203-11			CNA212-38	HCR212-38	UELS212-206	1206KRR
CNA204	CNA204	HCR204	UELS204	E20KRR	CNA212-39	HCR212-39	UELS212-207	1207KRR
CNA204-12	CNA204-12	HCR204-12	UELS204-012	1012KRR	CNA213	HCR213	UELS213	E65KRR
CNA205	CNA205	HCR205	UELS205	E25KRR	CNA213-39	HCR213-39	UELS213-207	
CNA205-13	CNA205-13	HCR205-13	UELS205-013	1013KRR	CNA213-40	HCR213-40	UELS213-208	1208KRR
CNA205-14	CNA205-14	HCR205-14	UELS205-014	1014KRR	CNA213-41	HCR213-41	UELS213-209	1209KRR
CNA205-15	CNA205-15	HCR205-15	UELS205-015	1015KRR	CNA214	HCR214	UELS214	E70KRR
CNA205-16	CNA205-16	HCR205-16	UELS205-100	1100KRR	CNA214-42	HCR214-42	UELS214-210	1210KRR
CNA206	CNA206	HCR206	UELS206	E30KRR	CNA214-43	HCR214-43	UELS214-211	1211KRR
CNA206-17	CNA206-17	HCR206-17	UELS206-101	1101KRR	CNA214-44	HCR214-44	UELS214-212	1212KRR
CNA206-18	CNA206-18	HCR206-18	UELS206-102	1102KRR	CNA215	HCR215	UELS215	E75KRR
CNA206-19	CNA206-19	HCR206-19	UELS206-103	1103KRR	CNA215-45	HCR215-45	UELS215-213	1213KRR
CNA206-20	CNA206-20	HCR206-20	UELS206-104	1103KRR3	CNA215-46	HCR215-46	UELS215-214	1214KRR
CNA207	CNA207	HCR207	UELS207	E35KRR	CNA215-47	HCR215-47	UELS215-215	1215KRR
CNA207-20	CNA207-20	HCR207-20	UELS207-104	1104KRR	CNA215-48	HCR215-48	UELS215-300	1300KRR
CNA207-21	CNA207-21	HCR207-21	UELS207-105	1105KRR	CNA216			
CNA207-22	CNA207-22	HCR207-22	UELS207-106	1106KRR	CNA216-49			
CNA207-23	CNA207-23	HCR207-23	UELS207-107	1107KRR	CNA216-50			
CNA208	CNA208	HCR208	UELS208	E40KRR	CNA216-51			
CNA208-24	CNA208-24	HCR208-24	UELS208-108	1108KRR	CNA217			
CNA208-25	CNA208-25	HCR208-25	UELS208-109	1109KRR	CNA217-52			
CNA209	CNA209	HCR209	UELS209	E45KRR	CNA217-53			
CNA209-26	CNA209-26	HCR209-26	UELS209-110	1110KRR	CNA217-55			
CNA209-27	CNA209-27	HCR209-27	UELS209-111	1111KRR	CNA218			
CNA209-28	CNA209-28	HCR209-28	UELS209-112	1112KRR	CNA218-56			

\* The interchange is only for customer reference. C&H is no responsibility for any mistake.

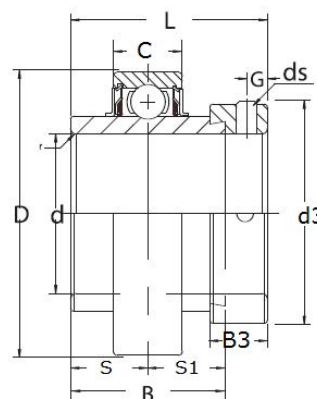


NA3 (Heavy-Duty)

- ◆ Eccentric locking collar
- ◆ Wider inner ring
- ◆ Available relubricable type - suffix " G "
- ◆ Available cylindrical OD -prefix " C "
- ◆ Available stainless steel -prefix " S "
- ◆ SL seal - no suffix
- ◆ Available Tri-lip Seal - suffix " L3 "



NA2...(HC2...)  
Spherical O.D.



CNA...(HCR2...)  
Cylindrical O.D.



Crowned outer ring NA	Cylindrical outer ring CNA	Dimensinons					Weight KG
		d mm	D mm	C mm	B mm	L mm	
NA305-13	CNA305-13	20.638					0.49
NA305-14	CNA305-14	22.225					0.48
NA305-15	CNA305-15	23.813	62	20	34.9	46.8	0.46
NA305	CNA305	25					0.44
NA305-16	CNA305-16	25.4					0.43
NA306-17	CNA306-17	26.988					0.71
NA306-18	CNA306-18	28.575					0.69
NA306	CNA306	30	72	23	36.5	50	0.68
NA306-19	CNA306-19	30.163					0.66
NA306-20	CNA306-20	31.75					0.38
NA307-20	CNA307-20	31.75					0.86
NA307-21	CNA307-21	33.338					0.83
NA307-22	CNA307-22	34.925	80	25	38.1	51.6	0.80
NA307	CNA307	35					0.80
NA307-23	CNA307-23	36.513					0.78
NA308-24	CNA308-24	38.1					1.13
NA308-25	CNA308-25	39.688	90	28	41.3	57.1	1.13
NA308	CNA308	40					1.08
NA309-26	CNA309-26	41.275					1.57
NA309-27	CNA309-27	42.863					1.52
NA309-28	CNA309-28	44.45	100	30	42.9	58.7	1.47
NA309	CNA309	45					1.45
NA310-29	CNA310-29	46.038					2.00
NA310-30	CNA310-30	47.625	110	32	49.2	66.6	1.93
NA310-31	CNA310-31	49.213					1.88
NA310	CNA310	50					1.86
NA311-32	CNA311-32	50.8					2.49
NA311-33	CNA311-33	52.388					2.36
NA311-34	CNA311-34	53.975	120	34	55.6	73	2.30
NA311	CNA311	55					2.24
NA311-35	CNA311-35	55.563					2.23
NA312-36	CNA312-36	57.15					2.95
NA312-37	CNA312-37	58.738					2.90
NA312	CNA312	60	130	36	61.9	79.4	2.89
NA312-38	CNA312-38	60.325					2.89
NA312-39	CNA312-39	61.913					2.86

Crowned outer ring NA	Cylindrical outer ring CNA	Dimensinons					Weight KG
		d mm	D mm	C mm	B mm	L mm	
NA313-40	CNA313-40	63.5					3.73
NA313	CNA313	65	140	38	65.1	85.7	3.72
NA313-41	CNA313-41	65.088					3.60
NA314-42	CNA314-42	66.675					4.69
NA314-43	CNA314-43	68.263	150	40	68.3	92.1	4.60
NA314-44	CNA314-44	69.85					4.49
NA314	CNA314	70					4.37
NA315-45	CNA315-45	71.438					5.95
NA315-46	CNA315-46	73.025					5.81
NA315-47	CNA315-47	74.613	160	42	74.6	100	5.72
NA315	CNA315	75					5.63
NA315-48	CNA315-48	76.2					5.30
NA316-49	CNA316-49	77.778					6.72
NA316-50	CNA316-50	79.375	170	44	81	106.4	6.67
NA316	CNA316	80					6.66
NA316-51	CNA316-51	80.963					6.58
NA317-52	CNA317-52	82.553					8.12
NA317-53	CNA317-53	84.138	180	46	84.1	109.5	7.98
NA317	CNA317	85					7.95
NA317-55	CNA317-55	87.313					7.66
NA318-55	CNA318-55	87.313					9.34
NA318-56	CNA318-56	88.903	190	48	87.3	115.9	9.11
NA318	CNA318	90					9.05
NA319-58	CNA319-58	92.075					10.56
NA319-59	CNA319-59	93.663	200	50	93.7	122.3	10.38
NA319	CNA319	95					10.34
NA319-60	CNA319-60	95.254					10.19
NA320-61	CNA320-61	96.838					12.83
NA320-62	CNA320-62	98.425					12.59
NA320	CNA320	100	215	54	100	128.6	12.49
NA320-63	CNA320-63	100.01					12.49
NA320-64	CNA320-64	101.6					12.18
NA321	CNA321	105	225	57	104.8	139.7	14.6
NA322	CNA322	110	240	59	106.4	141.3	17.2



NA3 ( Heavy-Duty) - Interchange

C&H	ASAHI KOYO NACHI FYH	PEER	NTN NSK	Fafnir INA
relubricable type add suffix "G"		relubricable type add suffix "GO"	relubricable type add suffix "D1"	non- relubricable type without
NA305	NA305	HC305	UEL305	
NA305-13	NA305-13	HC305-13	UEL305-013	
NA305-14	NA305-14	HC305-14	UEL305-014	
NA305-15	NA305-15	HC305-15	UEL305-015	
NA305-16	NA305-16	HC305-16	UEL305-100	
NA306	NA306	HC306	UEL306	GNE30KRRB
NA306-17	NA306-17	HC306-17	UEL306-101	
NA306-18	NA306-18	HC306-18	UEL306-102	
NA306-19	NA306-19	HC306-19	UEL306-103	GN103KRRB
NA306-20	NA306-20	HC306-20		
NA307	NA307	HC307	UEL307	GNE35KRRB
NA307-20	NA307-20	HC307-20	UEL307-104	GN104KRRB
NA307-21	NA307-21	HC307-21	UEL307-105	GN105KRRB
NA307-22	NA307-22	HC307-22	UEL307-106	GN106KRRB
NA307-23	NA307-23	HC307-23	UEL307-107	GN107KRRB
NA308	NA308	HC308	UEL308	GNE40KRRB
NA308-24	NA308-24	HC308-24	UEL308-108	GN108KRRB
NA308-25	NA308-25	HC308-25	UEL308-109	
NA309	NA309	HC309	UEL309	
NA309-26	NA309-26	HC309-26	UEL309-110	GN110KRRB
NA309-27	NA309-27	HC309-27	UEL309-111	GN111KRRB
NA309-28	NA309-28	HC309-28	UEL309-112	GN112KRRB
NA310	NA310	HC310	UEL310	GNE50KRRB
NA310-29	NA310-29	HC310-29	UEL310-113	
NA310-30	NA310-30	HC310-30	UEL310-114	GN114KRRB
NA310-31	NA310-31	HC310-31	UEL310-115	GN115KRRB
NA311	NA311	HC311	UEL311	
NA311-32	NA311-32	HC311-32	UEL311-200	GN200KRRB
NA311-33	NA311-33	HC311-33	UEL311-201	
NA311-34	NA311-34	HC311-34	UEL311-202	
NA311-35	NA311-35	HC311-35	UEL311-203	GN203KRRB
NA312	NA312	HC312	UEL312	GNE60KRRB
NA312-36	NA312-36	HC312-36	UEL312-204	
NA312-37	NA312-37	HC312-37	UEL312-205	
NA312-38	NA312-38	HC312-38	UEL312-206	
NA312-39	NA312-39	HC312-39	UEL312-207	GN207KRRB
NA313	NA313	HC313	UEL313	

C&H	ASAHI KOYO NACHI FYH	PEER	NTN NSK	Fafnir INA
relubricable type add suffix "G"		relubricable type add suffix "GO"	relubricable type add suffix "D1"	non- relubricable type without
NA313-40	NA313-40	HC313-40	UEL313-208	
NA313-41	NA313-41	HC313-41	UEL313-209	
NA314	NA314	HC314	UEL314	GNE70KRRB
NA314-42	NA314-42	HC314-42	UEL314-210	
NA314-43	NA314-43	HC314-43	UEL314-211	GN211KRRB
NA314-44	NA314-44	HC314-44	UEL314-212	
NA315	NA315	HC315	UEL315	
NA315-45	NA315-45	HC315-45	UEL315-213	
NA315-46	NA315-46	HC315-46	UEL315-214	
NA315-47	NA315-47	HC315-47	UEL315-215	GN215KRRB
NA315-48	NA315-48	HC315-48	UEL315-300	
NA316	NA316	HC316	UEL316	GNE80KRRB
NA316-49	NA316-49	HC316-49	UEL316-301	
NA316-50	NA316-50	HC316-50	UEL316-302	
NA316-51	NA316-51	HC316-51	UEL316-303	GN303KRRB
NA317	NA317	HC317	UEL317	
NA317-52	NA317-52	HC317-52	UEL317-304	
NA317-53	NA317-53	HC317-53	UEL317-305	
NA317-55	NA317-55	HC317-55	UEL317-307	GN307KRRB
NA318	NA318	HC318	UEL318	GNE90KRRB
NA318-55	NA318-55	HC318-55	UEL318-307	
NA318-56	NA318-56	HC318-56	UEL318-308	
NA319	NA319	HC319	UEL319	
NA319-58	NA319-58	HC319-58	UEL319-310	
NA319-59	NA319-59	HC319-59	UEL319-311	
NA319-60	NA319-60	HC319-60	UEL319-312	
NA320	NA320	HC320	UEL320	GNE100KRRB
NA320-61	NA320-61	HC320-61	UEL320-313	
NA320-62	NA320-62	HC320-62	UEL320-314	
NA320-63	NA320-63	HC320-63	UEL320-315	GN315KRRB
NA320-64	NA320-64	HC320-64	UEL320-400	
NA321	NA321	HC321	UEL321	
NA322	NA322	HC322	UEL322	
NA324	NA324	HC324	UEL324	
NA326	NA326	HC326	UEL326	
NA328	NA328	HC328	UEL328	

\* The interchange is only for customer reference. C&H is no responsibility for any mistake.



CNA3 ( Heavy-Duty) - Interchange

C&H	ASAHI KOYO NACHI FYH	PEER	NTN NSK	Fafnir INA
relubricable type add suffix "G"		relubricable type add suffix "GO"	relubricable type add suffix "D1"	non- relubricable type without
CNA305	CNA305	HCR305	UELS305	
CNA305-13	CNA305-13	HCR305-13	UELS305-013	
CNA305-14	CNA305-14	HCR305-14	UELS305-014	
CNA305-15	CNA305-15	HCR305-15	UELS305-015	
CNA305-16	CNA305-16	HCR305-16	UELS305-100	
CNA306	CNA306	HCR306	UELS306	GNE30KRR
CNA306-17	CNA306-17	HCR306-17	UELS306-101	
CNA306-18	CNA306-18	HCR306-18	UELS306-102	
CNA306-19	CNA306-19	HCR306-19	UELS306-103	GN103KRR
CNA306-20	CNA306-20	HCR306-20		
CNA307	CNA307	HCR307	UELS307	GNE35KRR
CNA307-20	CNA307-20	HCR307-20	UELS307-104	GN104KRR
CNA307-21	CNA307-21	HCR307-21	UELS307-105	GN105KRR
CNA307-22	CNA307-22	HCR307-22	UELS307-106	GN106KRR
CNA307-23	CNA307-23	HCR307-23	UELS307-107	GN107KRR
CNA308	CNA308	HCR308	UELS308	GNE40KRR
CNA308-24	CNA308-24	HCR308-24	UELS308-108	GN108KRR
CNA308-25	CNA308-25	HCR308-25	UELS308-109	
CNA309	CNA309	HCR309	UELS309	
CNA309-26	CNA309-26	HCR309-26	UELS309-110	GN110KRR
CNA309-27	CNA309-27	HCR309-27	UELS309-111	GN111KRR
CNA309-28	CNA309-28	HCR309-28	UELS309-112	GN112KRR
CNA310	CNA310	HCR310	UELS310	GNE50KRR
CNA310-29	CNA310-29	HCR310-29	UELS310-113	
CNA310-30	CNA310-30	HCR310-30	UELS310-114	GN114KRR
CNA310-31	CNA310-31	HCR310-31	UELS310-115	GN115KRR
CNA311	CNA311	HCR311	UELS311	
CNA311-32	CNA311-32	HCR311-32	UELS311-200	GN200KRR
CNA311-33	CNA311-33	HCR311-33	UELS311-201	
CNA311-34	CNA311-34	HCR311-34	UELS311-202	
CNA311-35	CNA311-35	HCR311-35	UELS311-203	GN203KRR
CNA312	CNA312	HCR312	UELS312	GNE60KRR
CNA312-36	CNA312-36	HCR312-36	UELS312-204	
CNA312-37	CNA312-37	HCR312-37	UELS312-205	
CNA312-38	CNA312-38	HCR312-38	UELS312-206	
CNA312-39	CNA312-39	HCR312-39	UELS312-207	GN207KRR
CNA313	CNA313	HCR313	UELS313	

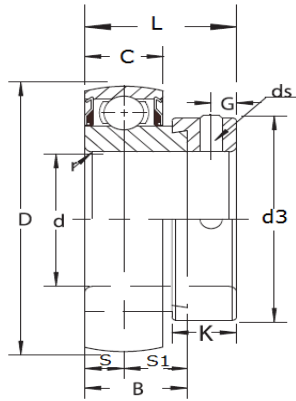
C&H	ASAHI KOYO NACHI FYH	PEER	NTN NSK	Fafnir INA
relubricable type add suffix "G"		relubricable type add suffix "GO"	relubricable type add suffix "D1"	non- relubricable type without
CNA313-40	CNA313-40	HCR313-40	UELS313-208	
CNA313-41	CNA313-41	HCR313-41	UELS313-209	
CNA314	CNA314	HCR314	UELS314	GNE70KRR
CNA314-42	CNA314-42	HCR314-42	UELS314-210	
CNA314-43	CNA314-43	HCR314-43	UELS314-211	GN211KRR
CNA314-44	CNA314-44	HCR314-44	UELS314-212	
CNA315	CNA315	HCR315	UELS315	
CNA315-45	CNA315-45	HCR315-45	UELS315-213	
CNA315-46	CNA315-46	HCR315-46	UELS315-214	
CNA315-47	CNA315-47	HCR315-47	UELS315-215	GN215KRR
CNA315-48	CNA315-48	HCR315-48	UELS315-300	
CNA316	CNA316	HCR316	UELS316	GNE80KRR
CNA316-49	CNA316-49	HCR316-49	UELS316-301	
CNA316-50	CNA316-50	HCR316-50	UELS316-302	
CNA316-51	CNA316-51	HCR316-51	UELS316-303	GN303KRR
CNA317	CNA317	HCR317	UELS317	
CNA317-52	CNA317-52	HCR317-52	UELS317-304	
CNA317-53	CNA317-53	HCR317-53	UELS317-305	
CNA317-55	CNA317-55	HCR317-55	UELS317-307	GN307KRR
CNA318	CNA318	HCR318	UELS318	GNE90KRR
CNA318-55	CNA318-55	HCR318-55	UELS318-307	
CNA318-56	CNA318-56	HCR318-56	UELS318-308	
CNA319	CNA319	HCR319	UELS319	
CNA319-58	CNA319-58	HCR319-58	UELS319-310	
CNA319-59	CNA319-59	HCR319-59	UELS319-311	
CNA319-60	CNA319-60	HCR319-60	UELS319-312	
CNA320	CNA320	HCR320	UELS320	GNE100KRR
CNA320-61	CNA320-61	HCR320-61	UELS320-313	
CNA320-62	CNA320-62	HCR320-62	UELS320-314	
CNA320-63	CNA320-63	HCR320-63	UELS320-315	GN315KRR
CNA320-64	CNA320-64	HCR320-64	UELS320-400	
CNA321	CNA321	HCR321	UELS321	
CNA322	CNA322	HCR322	UELS322	
CNA324	CNA324	HCR324	UELS324	
CNA326	CNA326	HCR326	UELS326	
CNA328	CNA328	HCR328	UELS328	

\* The interchange is only for customer reference. C&H is no responsibility for any mistake.



SA2 ( Light-Duty )

- ◆ Eccentric locking collar
- ◆ Narrow inner ring
- ◆ Available relubricable type - suffix " G "
- ◆ Available cylindrical OD -prefix " C "
- ◆ Available stainless steel -prefix " S "
- ◆ SL seal - no suffix
- ◆ Available Tri-lip Seal - suffix " L3 "



SA	Crowned outer ring	Cylindrical outer ring CSA	Dimensions(mm)									Weight kg	
			d	D	B	C	L	rmin	S	G	ds		d3
SA201	SA201	CSA201	12										0.12
SA201-8	SA201-8	CSA201-8	12.7										0.12
SA202-9	SA202-9	CSA202-9	14.288										0.10
SA202	SA202	CSA202	15	40	19.1	12	28.6	0.6	6.5	4.8	M6x1 1/4-28UNF	28.6	0.10
SA202-10	SA202-10	CSA202-10	15.875										0.10
SA203	SA203	CSA203	17										0.09
SA203-11	SA203-11	CSA203-11	17.463										0.09
SA204-12	SA204-12	CSA204-12	19.05	47	21.5	14	31	1	7.5	4.8	M6x1 1/4-28UNF	33.3	0.16
SA204	SA204	CSA204	20										0.16
SA205-13	SA205-13	CSA205-13	20.638										0.22
SA205-14	SA205-14	CSA205-14	22.225										0.21
SA205-15	SA205-15	CSA205-15	23.813	52	21.5	15	31	1	7.5	4.8	M6x1 1/4-28UNF	38.1	0.21
SA205	SA205	CSA205	25										0.20
SA205-16	SA205-16	CSA205-16	25.4										0.20
SA206-17	SA206-17	CSA206-17	26.988										0.32
SA206-18	SA206-18	CSA206-18	28.575										0.31
SA206	SA206	CSA206	30	62	23.8	16	35.7	1	9	6	M8x1 5/16-24UNF	44.5	0.30
SA206-19	SA206-19	CSA206-19	30.163										0.30
SA206-20	SA206-20	CSA206-20	31.75										0.29
SA207-20	SA207-20	CSA207-20	31.75										0.46
SA207-21	SA207-21	CSA207-21	33.338										0.43
SA207-22	SA207-22	CSA207-22	34.925	72	25.4	17	38.9	1.5	9.5	6.8	M8x1 5/16-24UNF	55.6	0.42
SA207	SA207	CSA207	35										0.42
SA207-23	SA207-23	CSA207-23	36.513										0.41
SA208-24	SA208-24	CSA208-24	38.1										0.60
SA208-25	SA208-25	CSA208-25	39.688	80	30.2	18	43.7	1.5	11	6.8	M8x1 5/16-24UNF	60.3	0.60
SA208	SA208	CSA208	40										0.58
SA209-26	SA209-26	CSA209-26	41.275										
SA209-27	SA209-27	CSA209-27	42.863										
SA209-28	SA209-28	CSA209-28	44.45	85	30.2	19	43.7	1.5	11	6.8	M8x1 5/16-24UNF	63.5	0.67
SA209	SA209	CSA209	45										
SA210-29	SA210-29	CSA210-29	46.038										
SA210-30	SA210-30	CSA210-30	47.625										
SA210-31	SA210-31	CSA210-31	49.213	90	30.2	20	43.7	1.5	11	6.8	M8x1 5/16-24UNF	69.9	0.75
SA210	SA210	CSA210	50										
SA210-32	SA210-32	CSA210-32	50.8										
SA211-32	SA211-32	CSA211-32	50.8										
SA211-33	SA211-33	CSA211-33	52.388										
SA211-34	SA211-34	CSA211-34	53.975	100	32.5	21	48.4	2	12	8	M8x1 5/16-24UNF	76.2	1.00
SA211	SA211	CSA211	55										
SA211-35	SA211-35	CSA211-35	55.563										
SA212-36	SA212-36	CSA212-36	57.15										
SA212-37	SA212-37	CSA212-37	58.738										
SA212	SA212	CSA212	60	110	37.2	22	53.1	2	13.5	8	M10x1 3/8-24UNF	84.2	1.35
SA212-38	SA212-38	CSA212-38	60.325										
SA212-39	SA212-39	CSA212-39	61.913										



SA2 ( Light-Duty ) - Interchange

C&H FYH KOYO IPTCI	NTN NSK	ASAHI NACHI AMI	PEER	SNR	FAFNIR	INA	SKF MRC	CHINA
relubricable type add suffix "G"	relubricable type add suffix "D1"		relubricable type add suffix "GO"		relubricable type add prefix "G"	relubricable type add prefix "G"		
SA201	AEL201	KH201	FH201-12mm	ES201		RAE12NPPB		UE201
SA201-8	AEL201-008	KH201-8	FH201-8	ES201-8	RA008RRB	RA008NPPB		UE201-8
SA202	AEL202	KH202	FH202-15mm	ES202		RAE15NPPB		UE202
SA202-9	AEL202-009	KH202-9	FH202-9	ES202-9	RA009RRB			UE202-9
SA202-10	AEL202-010	KH202-10	FH202-10	ES202-10	RA010RRB	RA010NPPB		UE202-10
SA203	AEL203	KH203	FH203-17mm	ES203	RAE17RRB	RAE17NPPB	YET203	UE203
SA203-11	AEL203-011	KH203-11	FH203-11	ES203-11				UE203-11
SA204	AEL204	KH204	FH204-20mm	ES204	RAE20RRB	RAE20NPPB	YET204	UE204
SA204-12	AEL204-012	KH204-12	FH204-12	ES204-12	RA012RRB	RA012NPPB	YET204-012	UE204-12
SA205	AEL205	KH205	FH205-25mm	ES205	RAE25RRB	RAE25NPPB	YET205	UE205
SA205-13	AEL205-013	KH205-13	FH205-13	ES205-13	RA013RRB			UE205-13
SA205-14	AEL205-014	KH205-14	FH205-14	ES205-14	RA014RRB	RA014NPPB		UE205-14
SA205-15	AEL205-015	KH205-15	FH205-15	ES205-15	RA015RRB			UE205-15
SA205-16	AEL205-100	KH205-16	FH205-16	ES205-16	RA100RRB	RA100NPPB	YET205-100	UE205-16
SA206	AEL206	KH206	FH206-30mm	ES206	RAE30RRB	RAE30NPPB	YET206	UE206
SA206-17	AEL206-101	KH206-17	FH206-17	ES206-17	RA101RRB			UE206-17
SA206-18	AEL206-102	KH206-18	FH206-18	ES206-18	RA102RRB	RA102NPPB		UE206-18
SA206-19	AEL206-103	KH206-19	FH206-19	ES206-19	RA103RRB	RA103NPPB		UE206-19
SA206-20	AEL206-104	KH206-20	FH206-20	ES206-20	RA103RRB2	RA103NPPB2	YET207-104	UE206-20
SA207	AEL207	KH207	FH207-35mm	ES207	RAE35RRB	RAE35NPPB	YET207	UE207
SA207-20	AEL207-104	KH207-20	FH207-20	ES207-20	RA104RRB	RA104NPPB		UE207-20
SA207-21	AEL207-105	KH207-21	FH207-21	ES207-21	RA105RRB			UE207-21
SA207-22	AEL207-106	KH207-22	FH207-22	ES207-22	RA106RRB	RA106NPPB		UE207-22
SA207-23	AEL207-107	KH207-23	FH207-23	ES207-23	RA107RRB	RA107NPPB		UE207-23
SA208	AEL208	KH208	FH208-40mm	ES208	RAE40RRB	RAE40NPPB	YET208	UE208
SA208-24	AEL208-108	KH208-24	FH208-24	ES208-24	RA108RRB	RA108NPPB	YET208-108	UE208-24
SA208-25	AEL208-109	KH208-25	FH208-25	ES208-25	RA109RRB			UE208-25
SA209	AEL209	KH209	FH209-45mm	ES209	RAE45RRB	RAE45NPPB	YET209	UE209
SA209-26	AEL209-110	KH209-26	FH209-26	ES209-26	RA110RRB	RA110NPPB		UE209-26
SA209-27	AEL209-111	KH209-27	FH209-27	ES209-27	RA111RRB			UE209-27
SA209-28	AEL209-112	KH209-28	FH209-28	ES209-28	RA112RRB	RA112NPPB		UE209-28
SA210	AEL210	KH210	FH210-50mm	ES210	RAE50RRB	RAE50NPPB	YET210	UE210
SA210-29	AEL210-113	KH210-29	FH210-29	ES210-29	RA113RRB			UE210-29
SA210-30	AEL210-114	KH210-30	FH210-30	ES210-30	RA114RRB			UE210-30
SA210-31	AEL210-115	KH210-31	FH210-31	ES210-31	RA115RRB	RA115NPPB		UE210-31
SA210-32	AEL210-200	KH210-32	FH210-32	ES210-32	RA115RRB2			UE210-32
SA211	AEL211	KH211	FH211-55mm	ES211	RAE55RRB	RAE55NPPB	YET211	UE211
SA211-32	AEL211-200	KH211-32	FH211-32	ES211-32	RA200RRB	RA200NPPB		UE211-32
SA211-33	AEL211-201	KH211-33	FH211-33	ES211-33	RA201RRB			UE211-33
SA211-34	AEL211-202	KH211-34	FH211-34	ES211-34	RA202RRB			UE211-34
SA211-35	AEL211-203	KH211-35	FH211-35	ES211-35	RA203RRB	RA203NPPB		UE211-35
SA212	AEL212	KH212		ES212		RAE60NPPB	YET212	UE212
SA212-36	AEL212-204	KH212-36	FH212-36	ES212-36				UE212-36
SA212-37	AEL212-205	KH212-37		ES212-37				UE212-37
SA212-38	AEL212-206	KH212-38		ES212-38				UE212-38
SA212-39	AEL212-207	KH212-39	FH212-39	ES212-39				UE212-39

\* The interchange is only for customer reference. C&H is no responsibility for any mistake.



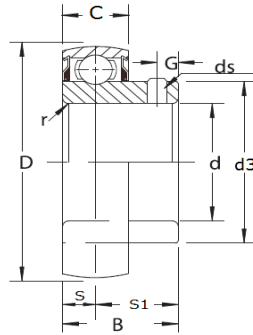
CSA2 ( Light-Duty ) - Interchange

C&H	NTN NSK	ASAHI NACHI AMI	PEER	FYH KOYO IPTCI	FAFNIR	INA
relubricable type add suffix "G"	relubricable type add suffix "D1"		relubricable type add suffix "GO"		relubricable type add prefix " G"	relubricable type add prefix " G"
CSA201	AELS201	KHR201	FHR201-12mm	SAA201		RAE12NPP
CSA201-8	AELS201-008	KHR201-8	FHR201-8	SAA201-8	RA008RR	RA008NPP
CSA202	AELS202	KHR202	FHR202-15mm	SAA202		RAE15NPP
CSA202-9	AELS202-009	KHR202-9	FHR202-9	SAA202-9	RA009RR	
CSA202-10	AELS202-010	KHR202-10	FHR202-10	SAA202-10	RA010RR	RA010NPP
CSA203	AELS203	KHR203	FHR203-17mm	SAA203	RAE17RR	RAE17NPP
CSA203-11	AELS203-011	KHR203-11	FHR203-11	SAA203-11		
CSA204	AELS204	KHR204	FHR204-20mm	SAA204	RAE20RR	RAE20NPP
CSA204-12	AELS204-012	KHR204-12	FHR204-12	SAA204-12	RA012RR	RA012NPP
CSA205	AELS205	KHR205	FHR205-25mm	SAA205	RAE25RR	RAE25NPP
CSA205-13	AELS205-013	KHR205-13	FHR205-13	SAA205-13	RA013RR	
CSA205-14	AELS205-014	KHR205-14	FHR205-14	SAA205-14	RA014RR	RA014NPP
CSA205-15	AELS205-015	KHR205-15	FHR205-15	SAA205-15	RA015RR	
CSA205-16	AELS205-100	KHR205-16	FHR205-16	SAA205-16	RA100RR	RA100NPP
CSA206	AELS206	KHR206	FHR206-30mm	SAA206	RAE30RR	RAE30NPP
CSA206-17	AELS206-101	KHR206-17	FHR206-17	SAA206-17	RA101RR	
CSA206-18	AELS206-102	KHR206-18	FHR206-18	SAA206-18	RA102RR	RA102NPP
CSA206-19	AELS206-103	KHR206-19	FHR206-19	SAA206-19	RA103RR	RA103NPP
CSA206-20	AELS206-104	KHR206-20	FHR206-20	SAA206-20	RA103RR2	RA103NPP2
CSA207	AELS207	KHR207	FHR207-35mm	SAA207	RAE35RR	RAE35NPP
CSA207-20	AELS207-104	KHR207-20	FHR207-20	SAA207-20	RA104RR	RA104NPP
CSA207-21	AELS207-105	KHR207-21	FHR207-21	SAA207-21	RA105RR	
CSA207-22	AELS207-106	KHR207-22	FHR207-22	SAA207-22	RA106RR	RA106NPP
CSA207-23	AELS207-107	KHR207-23	FHR207-23	SAA207-23	RA107RR	RA107NPP
CSA208	AELS208	KHR208	FHR208-40mm	SAA208	RAE40RR	RAE40NPP
CSA208-24	AELS208-108	KHR208-24	FHR208-24	SAA208-24	RA108RR	RA108NPP
CSA208-25	AELS208-109	KHR208-25	FHR208-25	SAA208-25	RA109RR	
CSA209	AELS209	KHR209	FHR209-45mm		RAE45RR	RAE45NPP
CSA209-26	AELS209-110	KHR209-26	FHR209-26		RA110RR	RA110NPP
CSA209-27	AELS209-111	KHR209-27	FHR209-27		RA111RR	
CSA209-28	AELS209-112	KHR209-28	FHR209-28		RA112RR	RA112NPP
CSA210	AELS210	KHR210	FHR210-50mm		RAE50RR	RAE50NPP
CSA210-29	AELS210-113	KHR210-29	FHR210-29		RA113RR	
CSA210-30	AELS210-114	KHR210-30	FHR210-30		RA114RR	
CSA210-31	AELS210-115	KHR210-31	FHR210-31		RA115RR	RA115NPP
CSA210-32	AELS210-200	KHR210-32	FHR210-32		RA115RR2	
CSA211	AELS211	KHR211	FHR211-55mm		RAE55RR	RAE55NPP
CSA211-32	AELS211-200	KHR211-32	FHR211-32		RA200RR	RA200NPP
CSA211-33	AELS211-201	KHR211-33	FHR211-33		RA201RR	
CSA211-34	AELS211-202	KHR211-34	FHR211-34		RA202RR	
CSA211-35	AELS211-203	KHR211-35	FHR211-35		RA203RR	RA203NPP
CSA212	AELS212	KHR212				RAE60NPP
CSA212-36	AELS212-204	KHR212-36	FHR212-36			
CSA212-37	AELS212-205	KHR212-37				
CSA212-38	AELS212-206	KHR212-38				
CSA212-39	AELS212-207	KHR212-39	FHR212-39			

\* The interchange is only for customer reference. C&H is no responsibility for any mistake.

SB2 ( Light-Duty )

- ◆ Set screw locking
- ◆ Narrow inner ring
- ◆ Available relubricable type - suffix " G "
- ◆ Available cylindrical OD -prefix " C "
- ◆ Available stainless steel -prefix " S "
- ◆ SL seal - no suffix
- ◆ Available Tri-lip Seal - suffix " L3 "



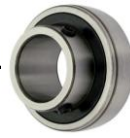
Crowned outer ring SB	Clindrical outer ring CSB	Dimensions(mm)										Weight kg	
		d	D	B	C	rs	S	S1	G	ds	d3		
SB201	CSB201	12											0.10
SB201-8	CSB201-8	12.7											0.10
SB202-9	CSB202-9	14.288											0.10
SB202	CSB202	15	40	22	12	0.6	6	16	4.5	M5x0.8 10-32UNF	24.3		0.10
SB202-10	CSB202-10	15.875											0.10
SB203	CSB203	17											0.09
SB203-11	CSB203-11	17.463											0.09
SB204-12	CSB204-12	19.05											0.14
SB204	CSB204	20	47	25	14	1	7	18	4.5	M6x1 1/4-28UNF	29.6		0.13
SB205-13	CSB205-13	20.638											0.19
SB205-14	CSB205-14	22.225											0.18
SB205-15	CSB205-15	23.813	52	27	15	1	7.5	19.5	5.5	M6x1 1/4-28UNF	33.9		0.17
SB205	CSB205	25											0.16
SB205-16	CSB205-16	25.4											0.16
SB206-17	CSB206-17	26.988											0.28
SB206-18	CSB206-18	28.575											0.26
SB206	CSB206	30	62	29	16	1	8	21	6	M6x1 1/4-28UNF	40.8		0.25
SB206-19	CSB206-19	30.163											0.25
SB206-20	CSB206-20	31.75											0.24
SB207-20	CSB207-20	31.75											0.47
SB207-21	CSB207-21	33.338											0.42
SB207-22	CSB207-22	34.925	72	32	17	1.5	8.5	23.5	6.5	M8x1 5/16-24UNF	46.8		0.38
SB207	CSB207	35											0.38
SB207-23	CSB207-23	36.513											0.37
SB208-24	CSB208-24	38.1											0.52
SB208-25	CSB208-25	39.688	80	34	18	1.5	9	25	7	M8x1 5/16-24UNF	53		0.51
SB208	CSB208	40											0.51
SB209-26	CSB209-26	41.275											0.62
SB209-27	CSB209-27	42.863	85	41.2	19	1.5	10.2	31	8.2	M8x1 5/16-24UNF	57.5		0.59
SB209-28	CSB209-28	44.45											0.55
SB209	CSB209	45											0.55
SB210-29	CSB210-29	46.038											0.74
SB210-30	CSB210-30	47.625											0.70
SB210-31	CSB210-31	49.213	90	43.5	20	1.5	10.9	32.6	9.2	M10x1 3/8-24UNF	62.4		0.67
SB210	CSB210	50											0.65
SB210-32	CSB210-32	50.8											0.62
SB211-32	CSB211-32	50.8											
SB211-33	CSB211-33	52.388											
SB211-34	CSB211-34	53.975	100	45.3	21	1.5	11.8	33.5	9.8	M10x1 3/8-24UNF			1.10
SB211	CSB211	55											
SB211-35	CSB211-35	55.563											
SB212-36	CSB212-36	57.15											
SB212-37	CSB212-37	58.738											
SB212	CSB212	60	110	53.7	22	1.5	14.8	38.8	9.8	M10x1 3/8-24UNF			1.30
SB212-38	CSB212-38	60.325											
SB212-39	CSB212-39	61.913											



## SB2 ( Light-Duty ) - Interchange

C&H	FYH KOYO IPTCI	NTN NSK	ASAHI NACHI AMI	PEER	SNR	FAFNIR	INA	SKF MRC	CHINA
relubricable type add suffix "G"		relubricable type add suffix "D1"		relubricable type add suffix "GO"		relubricable type add prefix "G"	relubricable type add prefix "G"		
SB201	SB201	AS201	B1	FHS201	US201		AYE12NPPB		UB201
SB201-8	SB201-8	AS201-008	B1-8	FHS201-8	US201-8	YA008RRB	AY008NPPB		UB201-8
SB202	SB202	AS202	B2	FHS202	US202		AYE15NPPB		UB202
SB202-9	SB202-9	AS202-009	B2-9	FHS202-9	US202-9	YA009RRB			UB202-9
SB202-10	SB202-10	AS202-010	B2-10	FHS202-10	US202-10	YA010RRB	AY010NPPB		UB202-10
SB203	SB203	AS203	B3	FHS203	US203	YAE17RRB	AYE17NPPB	YAT203	UB203
SB203-11	SB203-11	AS203-011	B3-11	FHS203-11	US203-11				UB203-11
SB204	SB204	AS204	B4	FHS204	US204	YAE20RRB	AYE20NPPB	YAT204	UB204
SB204-12	SB204-12	AS204-012	B4-12	FHS204-12	US204-12	YA012RRB	AY012NPPB	YAT204-012	UB204-12
SB205	SB205	AS205	B5	FHS205	US205	YAE25RRB	AYE25NPPB	YAT205	UB205
SB205-13	SB205-13	AS205-013	B5-13	FHS205-13	US205-13	YA013RRB			UB205-13
SB205-14	SB205-14	AS205-014	B5-14	FHS205-14	US205-14	YA014RRB	AY014NPPB		UB205-14
SB205-15	SB205-15	AS205-015	B5-15	FHS205-15	US205-15	YA015RRB			UB205-15
SB205-16	SB205-16	AS205-100	B5-16	FHS205-16	US205-16	YA100RRB	AY100NPPB	YAT205-100	UB205-16
SB206	SB206	AS206	B6	FHS206	US206	YAE30RRB	AYE30NPPB	YAT206	UB206
SB206-17	SB206-17	AS206-101	B6-17	FHS206-17	US206-17	YA101RRB			UB206-17
SB206-18	SB206-18	AS206-102	B6-18	FHS206-18	US206-18	YA102RRB	AY102NPPB		UB206-18
SB206-19	SB206-19	AS206-103	B6-19	FHS206-19	US206-19	YA103RRB	AY103NPPB		UB206-19
SB206-20	SB206-20	AS206-104	B6-20	FHS206-20	US206-20	YA103RRB2	AY103NPPB2	YAT207-1042F	UB206-20
SB207	SB207	AS207	B7	FHS207	US207	YAE35RRB	AYE35NPPB	YAT207	UB207
SB207-20	SB207-20	AS207-104	B7-20	FHS207-20	US207-20	YA104RRB	AY104NPPB		UB207-20
SB207-21	SB207-21	AS207-105	B7-21	FHS207-21	US207-21	YA105RRB			UB207-21
SB207-22	SB207-22	AS207-106	B7-22	FHS207-22	US207-22	YA106RRB	AY106NPPB		UB207-22
SB207-23	SB207-23	AS207-107	B7-23	FHS207-23	US207-23	YA107RRB	AY107NPPB		UB207-23
SB208	SB208	AS208	B8	FHS208	US208	YAE40RRB	AYE40NPPB	YAT208	UB208
SB208-24	SB208-24	AS208-108	B8-24	FHS208-24	US208-24	YA108RRB	AY108NPPB	YAT208-108	UB208-24
SB208-25	SB208-25	AS208-109	B8-25	FHS208-25	US208-25	YA109RRB			UB208-25
SB209		AS209		FHS209	US209	YAE45RRB	AYE45NPPB	YAT209	UB209
SB209-26		AS209-110		FHS209-26	US209-26	YA110RRB	AY110NPPB		UB209-26
SB209-27		AS209-111		FHS209-27	US209-27	YA111RRB			UB209-27
SB209-28		AS209-112		FHS209-28	US209-28	YA112RRB	AY112NPPB		UB209-28
SB210		AS210		FHS210	US210	YAE50RRB	AYE50NPPB	YAT210	UB210
SB210-29		AS210-113		FHS210-29	US210-29	YA113RRB			UB210-29
SB210-30		AS210-114		FHS210-30	US210-30	YA114RRB			UB210-30
SB210-31		AS210-115		FHS210-31	US210-31	YA115RRB	AY115NPPB		UB210-31
SB210-32		AS210-200		FHS210-32	US210-32	YA115RRB2			UB210-32
SB211				FHS211	US211	YAE55RRB	AYE55NPPB	YAT211	UB211
SB211-32				FHS211-32	US211-32	YA200RRB	AY200NPPB		UB211-32
SB211-33				FHS211-33	US211-33	YA201RRB			UB211-33
SB211-34				FHS211-34	US211-34	YA202RRB			UB211-34
SB211-35				FHS211-35	US211-35	YA203RRB	AY203NPPB		UB211-35
SB212					US212		AYE60NPPB	YAT212	UB212
SB212-36					US212-36				UB212-36
SB212-37					US212-37				UB212-37
SB212-38					US212-38				UB212-38
SB212-39					US212-39				UB212-39

\* The interchange is only for customer reference. C&H is no responsibility for any mistake.

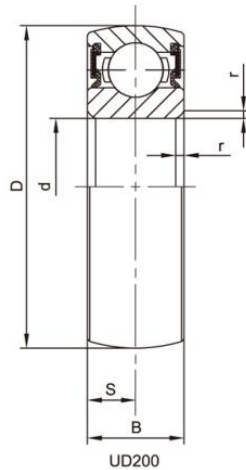


CSB2 ( Light-Duty ) - Interchange

C&H	FYH KOYO IPTCI	NTN	NSK	ASAHI NACHI AMI	PEER	FAFNIR	INA
relubricable type add suffix "G"		relubricable type add suffix "D1"			relubricable type add suffix "GO"	relubricable type add prefix "G"	relubricable type add prefix "G"
CSB201	SBB201	ASS201		BR1	FHSR201		AYE12NPP
CSB201-8	SBB201-8	ASS201-008		BR1-8	FHSR201-8	YA008RR	AY008NPP
CSB202	SBB202	ASS202		BR2	FHSR202		AYE15NPP
CSB202-9	SBB202-9	ASS202-009		BR2-9	FHSR202-9	YA009RR	
CSB202-10	SBB202-10	ASS202-010		BR2-10	FHSR202-10	YA010RR	AY010NPP
CSB203	SBB203	ASS203		BR3	FHSR203	YAE17RR	AYE17NPP
CSB203-11	SBB203-11	ASS203-011		BR3-11	FHSR203-11		
CSB204	SBB204	ASS204		BR4	FHSR204	YAE20RR	AYE20NPP
CSB204-12	SBB204-12	ASS204-012		BR4-12	FHSR204-12	YA012RR	AY012NPP
CSB205	SBB205	ASS205		BR5	FHSR205	YAE25RR	AYE25NPP
CSB205-13	SBB205-13	ASS205-013		BR5-13	FHSR205-13	YA013RR	
CSB205-14	SBB205-14	ASS205-014		BR5-14	FHSR205-14	YA014RR	AY014NPP
CSB205-15	SBB205-15	ASS205-015		BR5-15	FHSR205-15	YA015RR	
CSB205-16	SBB205-16	ASS205-100		BR5-16	FHSR205-16	YA100RR	AY100NPP
CSB206	SBB206	ASS206		BR6	FHSR206	YAE30RR	AYE30NPP
CSB206-17	SBB206-17	ASS206-101		BR6-17	FHSR206-17	YA101RR	
CSB206-18	SBB206-18	ASS206-102		BR6-18	FHSR206-18	YA102RR	AY102NPP
CSB206-19	SBB206-19	ASS206-103		BR6-19	FHSR206-19	YA103RR	AY103NPP
CSB206-20	SBB206-20	ASS206-104		BR6-20	FHSR206-20	YA103RR2	AY103NPP2
CSB207	SBB207	ASS207		BR7	FHSR207	YAE35RR	AYE35NPP
CSB207-20	SBB207-20	ASS207-104		BR7-20	FHSR207-20	YA104RR	AY104NPP
CSB207-21	SBB207-21	ASS207-105		BR7-21	FHSR207-21	YA105RR	
CSB207-22	SBB207-22	ASS207-106		BR7-22	FHSR207-22	YA106RR	AY106NPP
CSB207-23	SBB207-23	ASS207-107		BR7-23	FHSR207-23	YA107RR	AY107NPP
CSB208	SBB208	ASS208		BR8	FHSR208	YAE40RR	AYE40NPP
CSB208-24	SBB208-24	ASS208-108		BR8-24	FHSR208-24	YA108RR	AY108NPP
CSB208-25	SBB208-25	ASS208-109		BR8-25	FHSR208-25	YA109RR	
CSB209		ASS209			FHSR209	YAE45RR	AYE45NPP
CSB209-26		ASS209-110			FHSR209-26	YA110RR	AY110NPP
CSB209-27		ASS209-111			FHSR209-27	YA111RR	
CSB209-28		ASS209-112			FHSR209-28	YA112RR	AY112NPP
CSB210		ASS210			FHSR210	YAE50RR	AYE50NPP
CSB210-29		ASS210-113			FHSR210-29	YA113RR	
CSB210-30		ASS210-114			FHSR210-30	YA114RR	
CSB210-31		ASS210-115			FHSR210-31	YA115RR	AY115NPP
CSB210-32		ASS210-200			FHSR210-32	YA115RR2	
CSB211					FHSR211	YAE55RR	AYE55NPP
CSB211-32					FHSR211-32	YA200RR	AY200NPP
CSB211-33					FHSR211-33	YA201RR	
CSB211-34					FHSR211-34	YA202RR	
CSB211-35					FHSR211-35	YA203RR	AY203NPP
CSB212							AYE60NPP
CSB212-36							
CSB212-37							
CSB212-38							
CSB212-39							

\* The interchange is only for customer reference. C&H is no responsibility for any mistake.

Crowned outer ring, Same design with 6200 and 6300 series



Crowned outer ring	Dimensinons			Mass
	d	D	B	
	mm	mm	mm	KG
SC200	10	30	9	0.031
SC201	12	32	10	0.033
SC202	15	35	11	0.043
SC203	17	40	12	0.061
SC204	20	47	14	0.098
SC205	25	52	15	0.122
SC206	30	62	16	0.195
SC207	35	72	17	0.28
SC208	40	80	18	0.358
SC209	45	85	19	0.405
SC210	50	90	20	0.449
SC211	55	100	21	0.589
SC212	60	110	22	0.774

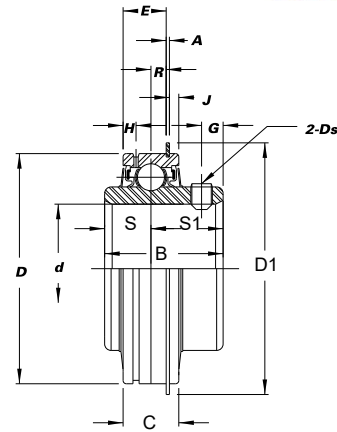
Crowned outer ring	Dimensinons			Mass
	d	D	B	
	mm	mm	mm	KG
SC302	15	42	13	0.076
SC303	17	47	14	0.105
SC304	20	52	15	0.137
SC305	25	62	17	0.211
SC306	30	72	19	0.338
SC307	35	80	21	0.439
SC308	40	90	23	0.618
SC309	45	100	25	0.81
SC310	50	110	27	1.048
SC311	55	120	29	1.326
SC312	60	130	31	1.659

Interchange

C&H	China	TR	FYH	NTN NSK	ASAHI NACHI	KOYO	BCA	Fafnir	INA	SKF MRC
SC205	UD205	ORAE205	SC205	CS205LLU	CS205ZZ	CB200	S205FF	205NPPB	726205B.2RSR	176205-2RS1
SC305	UD305		SC305	CS305LLU	CS305ZZ	CB305	S305FF	305NPPB	726305B.2RSR	176305-2RS1

SER2 ( Normal-Duty )

- ◆ Set crew locking
- ◆ Wider inner ring & Cylindrical outer ring
- ◆ Relubrication groove with oil hole
- ◆ Snap groove and snap ring
- ◆ SL seal - no suffix
- ◆ Available tri-lip seal - suffix " L3 "



Bearing No.	Diminsions						Load Rating		Weight KG	
	d mm	D mm	B mm	C mm	S mm	D1 mm	ds mm	Dynamic N		Static N
SER201	12									
SER201-8	12.7									
SER202-9	14.288									
SER202	15									
SER202-10	15.875	47	31	15.9	10.3	52.7	M6X1 1/4-28UNF	12800	6650	0.22
SER203	17									
SER203-11	17.463									
SER204-12	19.05									
SER204	20									
SER205-13	20.638									
SER205-14	22.225									
SER205-15	23.813	52	34.9	19	13.1	57.9	M6X1 1/4-28UNF	14000	7800	0.27
SER205	25									
SER205-16	25.4									
SER206-17	26.988									
SER206-18	28.575									
SER206	30	62	38.1	22.2	15.9	67.7	M6X1 1/4-28UNF	19500	11200	0.39
SER206-19	30.163									
SER206-20	31.75									
SER207-20	31.75									
SER207-21	33.338									
SER207-22	34.925	72	42.9	23.8	17.5	78.6	M8X1 5/16-24UNF	25700	15200	0.61
SER207	35									
SER207-23	36.513									
SER208-24	38.1									
SER208-25	39.688	80	49.2	27.8	19	86.6	M8X1 5/16-24UNF	29600	18200	0.81
SER208	40									
SER209-26	41.275									
SER209-27	42.863	85	49.2	27.8	19	91.6	M8X1 5/16-24UNF	31850	20800	0.90
SER209-28	44.45									
SER209	45									
SER210-29	46.038									
SER210-30	47.625									
SER210-31	49.213	90	51.6	28.6	19	96.5	M10X1.25 3/8-24UNF	35100	23200	0.96
SER210	50									
SER210-32	50.8									
SER211-32	50.8									
SER211-33	52.388									
SER211-34	53.975	100	55.6	30.2	22.2	106.5	M10X1.25 3/8-24UNF	43350	29200	1.41
SER211	55									
SER211-35	55.563									
SER212-36	57.15									
SER212-37	58.738									
SER212	60	110	65.1	31.8	25.4	116.6	M10X1.25 3/8-24UNF	47800	32800	1.95
SER212-38	60.325									
SER212-39	61.913									





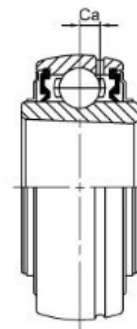
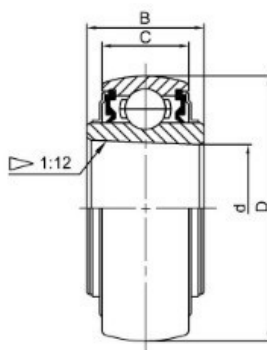
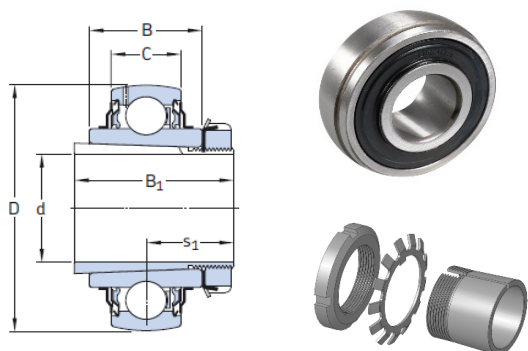
SER ( Normal-Duty ) - Interchange

C&H ASAHI	FYH KOYO IPTCI	PEER	NTN NSK	FAFNIR	INA
SER201	ER201		UCS201LD1NR		
SER201-8	ER201-8	SER-8	UCS201-008LD1NR	ER08	GC1008KRRG-2
SER202	ER202		UCS202LD1NR		
SER202-9	ER202-9	SER-9	UCS202-009LD1NR		
SER202-10	ER202-10	SER-10	UCS202-010LD1NR	ER10	GC1010KRRG-2
SER203	ER203		UCS203LD1NR		
SER203-11	ER203-11	SER-11	UCS203-011LD1NR		
SER204	ER204	SER-20mm	UCS204LD1NR		GCE20KRRG-2
SER204-12	ER204-12	SER-12	UCS204-012LD1NR	ER12	GC1012KRRG-2
SER205	ER205	SER-25mm	UCS205LD1NR		GCE25KRRG-2
SER205-13	ER205-13		UCS205-013LD1NR	ER13	GC1013KRRG-2
SER205-14	ER205-14	SER-14	UCS205-014LD1NR	ER14	GC1014KRRG-2
SER205-15	ER205-15	SER-15	UCS205-015LD1NR	ER15	GC1015KRRG-2
SER205-16	ER205-16	SER-16	UCS205-100LD1NR	ER16	GC1100KRRG-2
SER206	ER206	SER-30mm	UCS206LD1NR		GCE30KRRG-2
SER206-17	ER206-17	SER-17	UCS206-101LD1NR	ER17	GC1101KRRG-2
SER206-18	ER206-18	SER-18	UCS206-102LD1NR	ER18	GC1102KRRG-2
SER206-19	ER206-19	SER-19	UCS206-103LD1NR	ER19	GC1103KRRG-2
SER206-20	ER206-20	SER-20S	UCS206-104LD1NR		
SER207	ER207	SER-35mm	UCS207LD1NR		GCE35KRRG-2
SER207-20	ER207-20	SER-20	UCS207-104LD1NR	ER20	GC1104KRRG-2
SER207-21	ER207-21	SER-21	UCS207-105LD1NR	ER21	GC1105KRRG-2
SER207-22	ER207-22	SER-22	UCS207-106LD1NR	ER22	GC1106KRRG-2
SER207-23	ER207-23	SER-23	UCS207-107LD1NR	ER23	GC1107KRRG-2
SER208	ER208	SER-40mm	UCS208LD1NR		GCE40KRRG-2
SER208-24	ER208-24	SER-24	UCS208-108LD1NR	ER24	GC1108KRRG-2
SER208-25	ER208-25	SER-25	UCS208-109LD1NR	ER25	GC1109KRRG-2
SER209	ER209	SER-45mm	UCS209LD1NR		GCE45KRRG-2
SER209-26	ER209-26	SER-26	UCS209-110LD1NR	ER26	GC1110KRRG-2
SER209-27	ER209-27	SER-27	UCS209-111LD1NR	ER27	GC1111KRRG-2
SER209-28	ER209-28	SER-28	UCS209-112LD1NR	ER28	GC1112KRRG-2
SER210	ER210	SER-50mm	UCS210LD1NR		GCE50KRRG-2
SER210-29	ER210-29	SER-29	UCS210-113LD1NR	ER29	GC1113KRRG-2
SER210-30	ER210-30	SER-30	UCS210-114LD1NR	ER30	GC1114KRRG-2
SER210-31	ER210-31	SER-31	UCS210-115LD1NR	ER31	GC1115KRRG-2
SER210-32	ER210-32	SER-32S	UCS210-200LD1NR		
SER211	ER211	SER-55mm	UCS211LD1NR		GCE55KRRG-2
SER211-32	ER211-32	SER-32	UCS211-200LD1NR	ER32	GC1200KRRG-2
SER211-33	ER211-33	SER-33	UCS211-201LD1NR	ER33	GC1201KRRG-2
SER211-34	ER211-34	SER-34	UCS211-202LD1NR	ER34	GC1202KRRG-2
SER211-35	ER211-35	SER-35	UCS211-203LD1NR	ER35	GC1203KRRG-2
SER212	ER212	SER-60mm	UCS212LD1NR		GCE60KRRG-2
SER212-36	ER212-36	SER-36	UCS212-204LD1NR	ER36	GC1204KRRG-2
SER212-37	ER212-37		UCS212-205LD1NR	ER37	GC1205KRRG-2
SER212-38	ER212-38	SER-38	UCS212-206LD1NR	ER38	GC1206KRRG-2
SER212-39	ER212-39	SER-39	UCS212-207LD1NR	ER39	GC1207KRRG-2

C&H ASAHI	NTN NSK	FAFNIR	INA
SER213	UCS213LD1NR		GCE65KRRG-2
SER213-39	UCS213-207LD1NR		
SER213-40	UCS213-208LD1NR	ER40	GC1208KRRG-2
SER213-41	UCS213-209LD1NR	ER41	GC1209KRRG-2
SER214	UCS214LD1NR		GCE70KRRG-2
SER214-42	UCS214-210LD1NR	ER42	GC1210KRRG-2
SER214-43	UCS214-211LD1NR	ER43	GC1211KRRG-2
SER214-44	UCS214-212LD1NR	ER44	GC1212KRRG-2
SER215	UCS215LD1NR		GCE75KRRG-2
SER215-45	UCS215-213LD1NR	ER45	GC1213KRRG-2
SER215-46	UCS215-214LD1NR	ER46	GC1214KRRG-2
SER215-47	UCS215-215LD1NR	ER47	GC1215KRRG-2
SER215-48	UCS215-300LD1NR	ER48	GC1300KRRG-2
SER216	UCS216LD1NR		
SER217	UCS217LD1NR		
SER218	UCS218LD1NR		

\* The interchange is only for customer reference. C&H is no responsibility for any mistake.

UK2 (Normal-Duty)

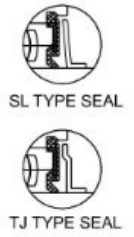
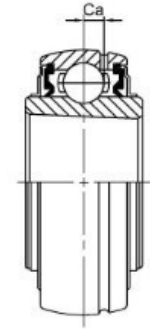
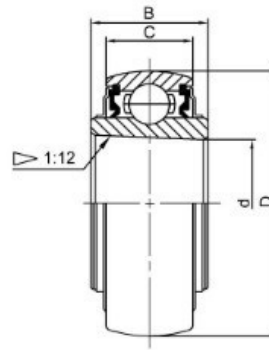
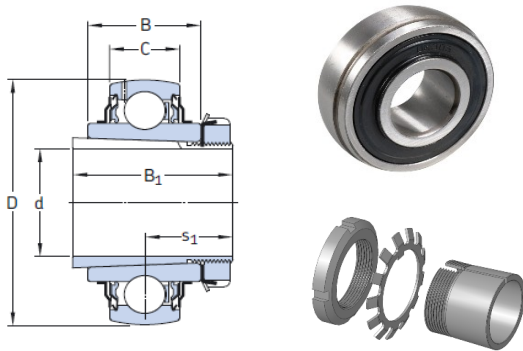


Relubricatable type

Bearing Adapter Sleeve	Dimensions					Weight KG
	d	D	B	C	B1	
	mm	mm	mm	mm	mm	
UK205 + H2305	20					0.24
UK205 + HE2305	19.05	52	23	17	35	0.25
UK205 + HA2305	20.638					0.24
UK206 + H2306	25					0.40
UK206 + HS2306	22.225	62	26	19	38	0.42
UK206 + HA2306	23.813					0.41
UK206 + HE2306	25.4					0.37
UK207 + H2307	30					0.55
UK207 + HE2307	28.575	72	27	20	43	0.57
UK207 + HA2307	30.163					0.55
UK208 + H2308	35					0.72
UK208 + HE2308	31.75	80	29	21	46	0.78
UK208 + HA2308	33.338					0.75
UK208 + HS2308	34.925					0.72
UK209 + H2309	40					0.80
UK209 + HA2309	36.513	85	30	22	50	0.89
UK209 + HE2309	38.1					0.84
UK209 + HS2309	41.275					0.77
UK210 + H2310	45					0.97
UK210 + HS2310	41.275	90	31	23	55	0.99
UK210 + HA2310	42.863					0.98
UK210 + HE2310	44.45					0.95

Bearing Adapter Sleeve	Dimensions					Weight KG
	d	D	B	C	B1	
	mm	mm	mm	mm	mm	
UK211 + H2311	50					1.19
UK211 + HS2311	47.625	100	33	24	59	1.28
UK211 + HA2311	49.213					1.22
UK211 + HE2311	50.8					1.17
UK212 + H2312	55					1.52
UK212 + HA2312	52.388	110	36	26	62	1.62
UK212 + HS2312	53.975					1.56
UK213 + H2313	60					1.91
UK213 + HA2313	55.563	120	38	27	65	2.10
UK213 + HE2313	57.15					2.04
UK213 + HS2313	60.325					1.89
UK215 + H2315	65					2.56
UK215 + HA2315	61.913	130	41	30	73	2.65
UK215 + HE2315	63.5					2.59
UK216 + H2316	70					3.23
UK216 + HA2316	68.263	140	44	32	78	3.23
UK216 + HE2316	69.85					3.23
UK217 + H2317	75					3.93
UK217 + HA2317	74.613	150	46	34	82	3.85
UK217 + HE2317	76.2					3.89
UC218 + H2318	80					4.75
UC218 + HS2318	79.375	160	49	36	86	4.80
UC218 + HA2318	80.963					4.75

UKX (Medium-Duty)

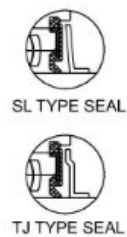
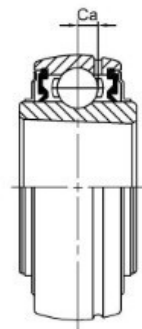
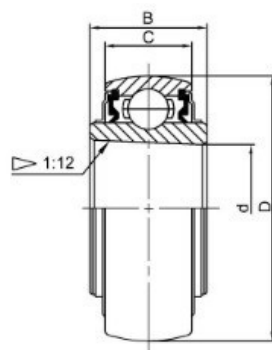
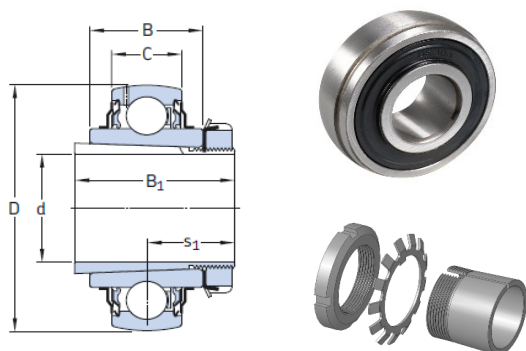


Relubricatable type

Bearing Adapter Sleeve	Dimensinons					Weight KG
	d	D	B	C	B1	
	mm	mm	mm	mm	mm	
UKX05 + H2305	20					
UKX05 + HE2305	19.05	62	26	19	35	0.37
UKX05 + HA2305	20.638					
UKX06 + H2306	25	72	29	20	38	0.59
UKX06 + HS2306	22.225					
UKX06 + HA2306	23.813					
UKX06 + HE2306	25.4					
UKX07 + H2307	30					
UKX07 + HS2307	28.575	80	31	21	43	0.75
UKX07 + HA2307	30.163					
UKX08 + H2308	35					
UKX08 + HE2308	31.75	85	31	22	46	0.86
UKX08 + HA2308	33.338					
UKX08 + HS2308	34.925					
UKX09 + H2309	40					
UKX09 + HA2309	36.513	90	32	24	50	0.96
UKX09 + HE2309	38.1					
UKX09 + HS2309	41.275					
UKX10 + H2310	45					
UKX10 + HS2310	41.275	100	35	25	55	1.34
UKX10 + HA2310	42.863					
UKX10 + HE2310	44.45					

Bearing Adapter Sleeve	Dimensinons					Weight KG
	d	D	B	C	B1	
	mm	mm	mm	mm	mm	
UKX11 + H2311	50					
UKX11 + HS2311	47.625	110	38	27	59	1.67
UKX11 + HA2311	49.213					
UKX11 + HE2311	50.8					
UKX12 + H2312	55					
UKX12 + HA2312	52.388	120	40	28	62	1.83
UKX12 + HS2312	53.975					
UKX13 + H2313	60					
UKX13 + HA2313	55.563	125	40	29	65	2.15
UKX13 + HE2313	57.15					
UKX13 + HS2313	60.325					
UKX15 + H2315	65					
UKX15 + HA2315	61.913	140	45	32	73	3.05
UKX15 + HE2315	63.5					
UKX16 + H2316	70					
UKX16 + HA2316	68.263	150	46	34	78	3.95
UKX16 + HE2316	69.85					
UKX17 + H2317	75					
UKX17 + HA2317	74.613	160	47	36	82	4.83
UKX17 + HE2317	76.2					
UKX18 + H2318	80					
UKX18 + HA2318	80.963	170	50	38	86	5.45
UKX20 + H2320	90	170	50	42	86	7.51
UKX20 + HA2320	89.693					

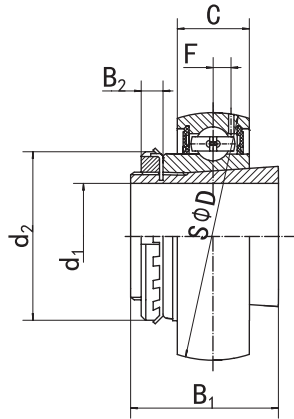
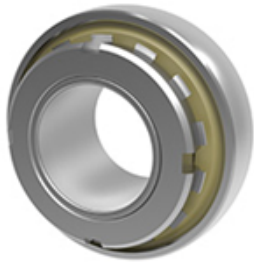
UK3 (Heavy-Duty)



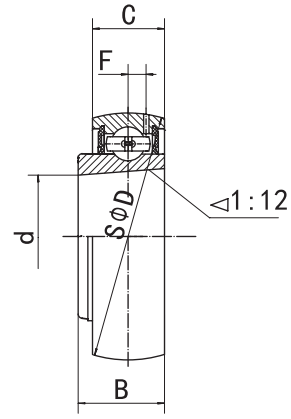
Relubricatable type

Bearing Adapter Sleeve	Dimensions					Weight KG
	d	D	B	C	B1	
	mm	mm	mm	mm	mm	
UK305 + H2305	20	62	26	21	35	0.39
UK305 + HE2305	19.05					
UK306 + H2306	25	72	29	23	38	0.59
UK306 + HS2306	22.225					
UK306 + HA2306	23.813					
UK306 + HE2306	25.4					
UK307 + H2307	30	80	31	25	43	0.75
UK307 + HE2307	28.575					
UK307 + HS2307	30.163					
UK308 + H2308	35	90	34	27	46	0.99
UK308 + HE2308	31.75					
UK308 + HS2308	34.925					
UK309 + H2309	40	100	37	30	50	1.35
UK309 + HA2309	36.513					
UK309 + HE2309	38.1					
UK309 + HS2309	41.275					
UK310 + H2310	45	110	41	32	55	1.77
UK310 + HS2310	41.275					
UK310 + HA2310	42.863					
UK310 + HE2310	44.45					
UK311 + H2311	50	120	44	34	59	2.21
UK311 + HS2311	47.625					
UK311 + HA2311	49.213					
UK311 + HE2311	50.8					
UK312 + H2312	55	130	47	36	62	2.55
UK312 + HS2312	53.975					

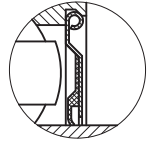
Bearing Adapter Sleeve	Dimensions					Weight KG
	d	D	B	C	B1	
	mm	mm	mm	mm	mm	
UK313 + H2313	60	140	49	38	65	3.27
UK313 + HA2313	55.563					
UK313 + HE2313	57.15					
UK313 + HS2313	60.325					
UK315 + H2315	65	160	55	42	73	4.85
UK315 + HA2315	61.913					
UK315 + HE2315	63.5					
UK316 + H2316	70	170	55	44	78	5.67
UK316 + HA2316	68.263					
UK316 + HE2316	69.85					
UK317 + H2317	75	180	60	46	82	6.75
UK317 + HA2317	74.613					
UK317 + HE2317	76.2					
UC318 + H2318	80	190	63	48	86	7.99
UC318 + HA2318	80.963					
UC319 + H2319	85	200	66	50	90	9.23
UC319 + HA2319	84.138					
UC320 + H2320	90	215	68	54	97	10.85
UC320 + HA2320	87.313					
UC322 + H2322	100	240	78	60	105	14.93
UC322 + HA2322	100.013					
UC324 + H2324	110	260	87	64	112	19.29
UC324 + HA2324	106.362					
UC326 + H2326	115	280	92	68	121	23.39
UC326 + HA2326	112.713					
UC328 + H2328	125	300	97	72	131	29.45
UC328 + HA2328	125.413					



16802+H



16802



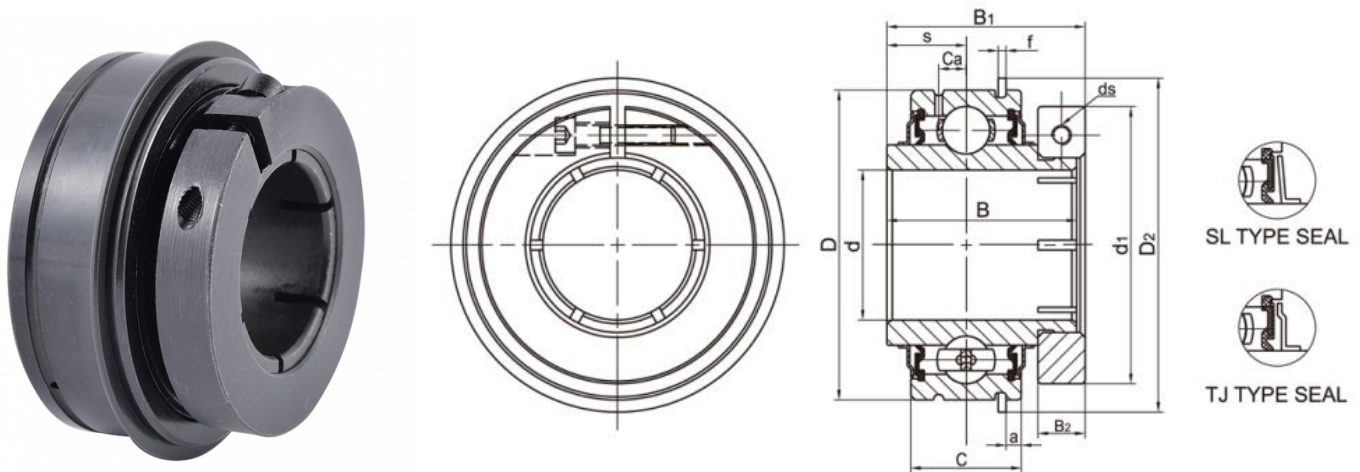
H type seal (Standard)

Bearing NO.	Dimensions ( mm / in. )									Dynamic load ratings (N)	Static load ratings (N)	Weight (kg)
	d <sub>1</sub>	d	D	B	C	B <sub>1</sub>	B <sub>2</sub>	d <sub>2</sub>	F			
1680204;H305	20	25	52	18	16	29	8	38	3.7	14000	7900	0.20
1680204;HE305	3/4	0.9843	2.0472	0.7087	0.6299	1.1417	0.315	1.496	0.146			
1680204;HA305	11/16											
1680205;H306	25	30	62	20	18	31	8	45	5.0	19400	11200	0.315
1680205;HE306	1											
1680205;HA306	15/16	1.1811	2.4409	0.7874	0.7087	1.2205	0.315	1.772	0.197			
1680205;HS306	7/8											
1680206;H307	30	35	72	22	20	35	9	52	5.7	25700	15200	0.47
1680206;HA307	1-3/16	1.3780	2.8346	0.8661	0.7874	1.3779	0.354	2.047	0.224			
1680206;HS307	1-1/8											
1680207;H308	35	40	80	23	21	36	10	58	5.9	29500	18100	0.59
1680207;HE308	1-1/4											
1680207;HA308	1-5/16	1.5748	3.1496	0.9055	0.8268	1.417	0.394	2.283	0.2323			
1680207;HS308	1-3/8											
1680208;H309	40	45	85	23	21	39	11	65	6.4	32700	20900	0.66
1680208;HE309	1-1/2	1.7717	3.3465	0.9055	0.8268	1.5354	0.433	2.559	0.252			
1680208;HA309	1-7/16											

# Chrome Steel Bearing Insert With Concentric Locking UER2



With cylindrical outer ring and snap ring, Concentric locking, Outstanding locking performance.

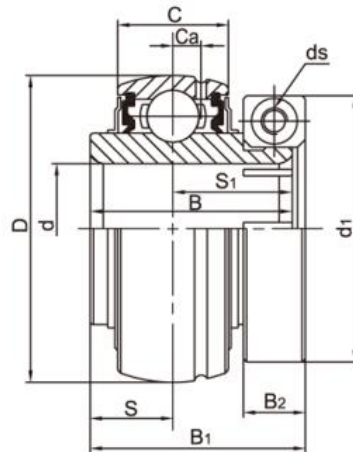
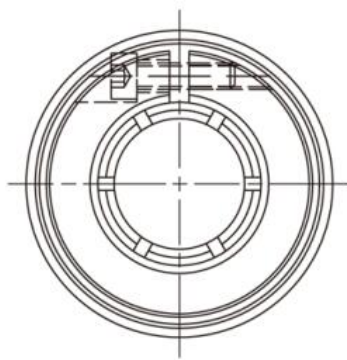


Unit No.	Shaft Dia		Dimensions (mm)												Load rating ( KN )		Weight (kg)
	d (in)	(mm)	D	B	C	S	B1	B2	a	f	D2 (max)	d1	ds	Ca	Dynamic Cr	Static Cor	
UER204		20	47	31	15.9	10.3	33	9.5	2.38	1.07	52.7	40.8	M4	4.05	12.82	6.65	0.22
UER204-12	3/4		47	31	15.9	10.3	33	9.5	2.38	1.07	52.7	40.8	M4	4.05	12.82	6.65	0.22
UER205		25	52	34.9	19	13.1	35.4	9.5	2.38	1.07	57.9	49	M4	5.5	14.03	8.05	0.28
UER205-13	13/16		52	34.9	19	13.1	35.4	9.5	2.38	1.07	57.9	49	M4	5.5	14.03	8.05	0.28
UER205-14	7/8		52	34.9	19	13.1	35.4	9.5	2.38	1.07	57.9	49	M4	5.5	14.03	8.05	0.28
UER205-15	15/16		52	34.9	19	13.1	35.4	9.5	2.38	1.07	57.9	49	M4	5.5	14.03	8.05	0.28
UER205-16	1		52	34.9	19	13.1	35.4	9.5	2.38	1.07	57.9	49	M4	5.5	14.03	8.05	0.28
UER206		30	62	38.1	22.2	15.9	39.8	9.5	3.18	1.65	67.7	55.5	M4	5.5	19.47	11.43	0.38
UER206-17	1-1/16		62	38.1	22.2	15.9	39.8	9.5	3.18	1.65	67.7	55.5	M4	5.5	19.47	11.43	0.38
UER206-18	1-1/8		62	38.1	22.2	15.9	39.8	9.5	3.18	1.65	67.7	55.5	M4	5.5	19.47	11.43	0.38
UER206-19	1-3/16		62	38.1	22.2	15.9	39.8	9.5	3.18	1.65	67.7	55.5	M4	5.5	19.47	11.43	0.38
UER206-20	1-1/4		62	38.1	22.2	15.9	39.8	9.5	3.18	1.65	67.7	55.5	M4	5.5	19.47	11.43	0.38
UER207		35	72	42.9	23.8	17.5	43.9	11	3.18	1.65	78.6	64	M5	6.3	25.69	15.55	0.56
UER207-20	1-1/4		72	42.9	23.8	17.5	43.9	11	3.18	1.65	78.6	64	M5	6.3	25.69	15.55	0.56
UER207-21	1-5/16		72	42.9	23.8	17.5	43.9	11	3.18	1.65	78.6	64	M5	6.3	25.69	15.55	0.56
UER207-22	1-3/8		72	42.9	23.8	17.5	43.9	11	3.18	1.65	78.6	64	M5	6.3	25.69	15.55	0.56
UER207-23	1-7/16		72	42.9	23.8	17.5	43.9	11	3.18	1.65	78.6	64	M5	6.3	25.69	15.55	0.56
UER208		40	80	49.2	27.8	19	50.2	11	3.18	1.65	86.6	68	M5	7.5	29.51	18.14	0.87
UER208-24	1-1/2		80	49.2	27.8	19	50.2	11	3.18	1.65	86.6	68	M5	7.5	29.51	18.14	0.87
UER208-25	1-9/16		80	49.2	27.8	19	50.2	11	3.18	1.65	86.6	68	M5	7.5	29.51	18.14	0.87
UER209		45	85	49.2	27.8	19	50.2	11	3.18	1.65	91.6	74	M5	7.5	31.85	20.8	0.95
UER209-26	1-5/8		85	49.2	27.8	19	50.2	11	3.18	1.65	91.6	74	M5	7.5	31.85	20.8	0.95
UER209-27	1-11/16		85	49.2	27.8	19	50.2	11	3.18	1.65	91.6	74	M5	7.5	31.85	20.8	0.95
UER209-28	1-3/4		85	49.2	27.8	19	50.2	11	3.18	1.65	91.6	74	M5	7.5	31.85	20.8	0.95
UER210		50	90	51.6	28.6	19	52.6	14.5	3.18	2.41	96.5	81	M6	6.8	34.99	23.7	1.03
UER210-30	1-7/8		90	51.6	28.6	19	52.6	14.5	3.18	2.41	96.5	81	M6	6.8	34.99	23.7	1.03
UER210-31	1-15/16		90	51.6	28.6	19	52.6	14.5	3.18	2.41	96.5	81	M6	6.8	34.99	23.7	1.03
UER210-32	2		90	51.6	28.6	19	52.6	14.5	3.18	2.41	96.5	81	M6	6.8	34.99	23.7	1.03
UER211		55	100	55.6	30.2	22.2	55.6	14.5	3.18	2.41	106.5	92	M6	7.6	43.34	29.39	1.21
UER211-32	2		100	55.6	30.2	22.2	55.6	14.5	3.18	2.41	106.5	92	M6	7.6	43.34	29.39	1.21
UER211-33	1-1/16		100	55.6	30.2	22.2	55.6	14.5	3.18	2.41	106.5	92	M6	7.6	43.34	29.39	1.21
UER211-34	2-1/8		100	55.6	30.2	22.2	55.6	14.5	3.18	2.41	106.5	92	M6	7.6	43.34	29.39	1.21
UER211-35	2-3/16		100	55.6	30.2	22.2	55.6	14.5	3.18	2.41	106.5	92	M6	7.6	43.34	29.39	1.21
UER212		60	110	65.1	31.8	25.4	66.6	17.4	3.18	2.41	116.6	103	M8	8.4	47.68	33.43	1.68
UER212-36	2-1/4		110	65.1	31.8	25.4	66.6	17.4	3.18	2.41	116.6	103	M8	8.4	47.68	33.43	1.68
UER212-37	2-5/16		110	65.1	31.8	25.4	66.6	17.4	3.18	2.41	116.6	103	M8	8.4	47.68	33.43	1.68
UER212-38	2-3/8		110	65.1	31.8	25.4	66.6	17.4	3.18	2.41	116.6	103	M8	8.4	47.68	33.43	1.68
UER212-39	2-7/16		110	65.1	31.8	25.4	66.6	17.4	3.18	2.41	116.6	103	M8	8.4	47.68	33.43	1.68

# Chrome Steel Bearing Insert With Concentric Locking UE2



Wider inner ring, Concentric locking Easy method of assembling/dismantling. Outstanding locking performance.



SL TYPE SEAL



TJ TYPE SEAL

Unit No.	Shaft Dia		Dimensions (mm)										Load rating ( KN )		Weight (kg)
	d (in)	d (mm)	D	B	C	S	S1	B1	B2	d1	ds	Ca	Dynamic Cr	Static Cor	
UE204		20	47	31	17	12.7	18.3	33	9.5	40.8	M4X0.7	4.3	12.82	6.65	0.18
UE204-12	3/4		47	31	17	12.7	18.3	33	9.5	40.8	M4X0.7	4.3	12.82	6.65	0.18
UE205		25	52	34.1	17	14.3	19.8	35.4	9.5	49	M4x0.7	4	14.03	8.05	0.21
UE205-13	13/16		52	34.1	17	14.3	19.8	35.4	9.5	49	M4x0.7	4	14.03	8.05	0.21
UE205-14	7/8		52	34.1	17	14.3	19.8	35.4	9.5	49	M4x0.7	4	14.03	8.05	0.21
UE205-15	15/16		52	34.1	17	14.3	19.8	35.4	9.5	49	M4x0.7	4	14.03	8.05	0.21
UE205-16	1		52	34.1	17	14.3	19.8	35.4	9.5	49	M4x0.7	4	14.03	8.05	0.21
UE206		30	62	38.1	19	15.9	22.2	39.8	9.5	55.5	M4x0.7	5.3	19.47	11.43	0.33
UE206-17	1-1/16		62	38.1	19	15.9	22.2	39.8	9.5	55.5	M4x0.7	5.3	19.47	11.43	0.33
UE206-18	1-1/8		62	38.1	19	15.9	22.2	39.8	9.5	55.5	M4x0.7	5.3	19.47	11.43	0.33
UE206-19	1-3/16		62	38.1	19	15.9	22.2	39.8	9.5	55.5	M4x0.7	5.3	19.47	11.43	0.33
UE206-20	1-1/4		62	38.1	19	15.9	22.2	39.8	9.5	55.5	M4x0.7	5.3	19.47	11.43	0.33
UE207		35	72	42.9	20	17.5	25.4	43.9	11	64	M5X0.8	5.8	25.69	15.55	0.51
UE207-20	1-1/4		72	42.9	20	17.5	25.4	43.9	11	64	M5X0.8	5.8	25.69	15.55	0.51
UE207-21	1-5/16		72	42.9	20	17.5	25.4	43.9	11	64	M5X0.8	5.8	25.69	15.55	0.51
UE207-22	1-3/8		72	42.9	20	17.5	25.4	43.9	11	64	M5X0.8	5.8	25.69	15.55	0.51
UE207-23	1-7/16		72	42.9	20	17.5	25.4	43.9	11	64	M5X0.8	5.8	25.69	15.55	0.51
UE208		40	80	49.2	21	19	30.2	50.2	11	68	M5X0.8	6.2	29.51	18.14	0.68
UE208-24	1-1/2		80	49.2	21	19	30.2	50.2	11	68	M5X0.8	6.2	29.51	18.14	0.68
UE208-25	1-9/16		80	49.2	21	19	30.2	50.2	11	68	M5X0.8	6.2	29.51	18.14	0.68
UE209		45	85	49.2	22	19	30.2	50.2	11	74	M5X0.8	6.5	31.85	20.8	0.78
UE209-26	1-5/8		85	49.2	22	19	30.2	50.2	11	74	M5X0.8	6.5	31.85	20.8	0.78
UE209-27	1-11/16		85	49.2	22	19	30.2	50.2	11	74	M5X0.8	6.5	31.85	20.8	0.78
UE209-28	1-3/4		85	49.2	22	19	30.2	50.2	11	74	M5X0.8	6.5	31.85	20.8	0.78
UE210		50	90	51.6	24	19	32.6	52.6	14.5	81	M6x1	7	34.99	23.7	0.85
UE210-30	1-7/8		90	51.6	24	19	32.6	52.6	14.5	81	M6x1	7	34.99	23.7	0.85
UE210-31	1-15/16		90	51.6	24	19	32.6	52.6	14.5	81	M6x1	7	34.99	23.7	0.85
UE210-32	2		90	51.6	24	19	32.6	52.6	14.5	81	M6x1	7	34.99	23.7	0.85
UE211		55	100	55.6	25	22.2	33.4	56.6	14.5	92	M6x1	7.4	43.34	29.39	1.16
UE211-32	2		100	55.6	25	22.2	33.4	56.6	14.5	92	M6x1	7.4	43.34	29.39	1.16
UE211-33	1-1/16		100	55.6	25	22.2	33.4	56.6	14.5	92	M6x1	7.4	43.34	29.39	1.16
UE211-34	2-1/8		100	55.6	25	22.2	33.4	56.6	14.5	92	M6x1	7.4	43.34	29.39	1.16
UE211-35	2-3/16		100	55.6	25	22.2	33.4	56.6	14.5	92	M6x1	7.4	43.34	29.39	1.16
UE212		60	110	65.1	27	25.4	39.7	66.6	17.5	103	M8X1.25	7.6	47.68	33.43	1.59
UE212-36	2-1/4		110	65.1	27	25.4	39.7	66.6	17.5	103	M8X1.25	7.6	47.68	33.43	1.59
UE212-37	2-5/16		110	65.1	27	25.4	39.7	66.6	17.5	103	M8X1.25	7.6	47.68	33.43	1.59
UE212-38	2-3/8		110	65.1	27	25.4	39.7	66.6	17.5	103	M8X1.25	7.6	47.68	33.43	1.59
UE212-39	2-7/16		110	65.1	27	25.4	39.7	66.6	17.5	103	M8X1.25	7.6	47.68	33.43	1.59

Interchange

\* The interchange is only for customer reference. C&H is no responsibility for any mistake.

C&H	AMI Asahi Nachi	Browning	Dodge	FYH KOYO IPTCI	Fafnir	Peer	Sealmaster
UC205-16	UC205-16	VS-216	INS-SC-100	UC205-16	GY1100KRRB	UC205-16	2-1
CUC205-16	UR205-16			RB205-16	GY1100KRR		
NA205-16	UG205-16	VE-216	INS-SXR-100	NA205-16	G1100KRRB	HC205-16	R-016E
CNA205-16				CNA205-16	G1100KRR	HCR205-16	
UCX05-16	UCX05-16	VS-316	NS-SCM-100	UCX05-16	GYM100KRRB	UCX05-16	3-1
SER205-16	SER205-16	VER-216		ER205-16	ER-16	SER-16	ER-16
SB205-16	B5-16	VS-116	INS-VSC-100	SB205-16	GYA100RRB	FHS205-16	V-16
CSB205-16	BR5-16	SLS-116	INS-CC-100	SBB205-16	GYA100RR	FHSR205-16	SL-16
SA205-16	KH205-16	VE-116	INS-SXV-100	SA205-16	GRA100RRB	FH205-16	V-16E
CSA205-16	KHR205-16	SLE-116		SAA205-16	GRA100RR	FHR205-16	SL-16E

C&H	INA	SNR	SKF	NTN NSK	Hub City	Rexnord Link-Belt	MB McGill
UC205-16	GY1100KRRB	UC205-16	YAR205-100-2F	UC205-100	YW250-1	UG216NL	MB-25-1
CUC205-16	GY1100KRR			UCS205-100		UBG216NL	
NA205-16	G1100KRRB	EX205-16	YEL205-100-2F	UEL205-100	YW220-1	YG216NL	
CNA205-16	G1100KRR			UELS205-100		YBG216NL	
UCX05-16				UCX05-100	B350-1		MB-35-1
SER205-16	GC1100KRRG-2			UCS205-100LD1NR			ER-16
SB205-16	GAY100NPPB	US205-16	YAT205-100	AS205-100	B250-1	SG216EL	
CSB205-16	GAY100NPP			ASS205-100			
SA205-16	GRA100NPPB	ES205-16	YRT205-100	ALE205-100	B220-1	WG216UL	
CSA205-16	GRA100NPP			ALES205-100		WB216UL	