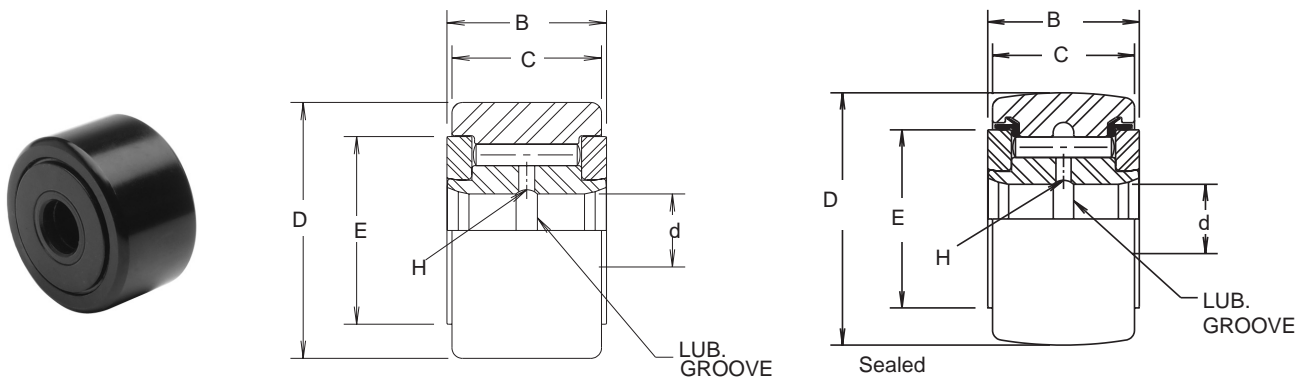


INCH- CYR, CYR-S & CCYR-S series



C&H	Dimensions(mm)				N.W. ≈kg	Interchange				
	d	D	B	B1		INA	McGill	RBC	Smith	Torrington
CYR- 3/4	6.35	19.05	14.2875	12.7	0.027	RF-12	CYR- 3/4	Y24	YR- 3/4	YCRS-12
CYR- 7/8	6.35	22.225	14.2875	12.7	0.036	RF-14	CYR- 7/8	Y28	YR- 7/8	YCRS-14
CYR-1	7.9375	25.4	17.4625	15.875	0.0675	RF-16	CYR-1	Y32	YR-1	YCRS-16
CYR-1 1/8	7.9375	28.575	17.4625	15.875	0.0765	RF-18	CYR-1 1/8	Y36	YR-1 1/8	YCRS-18
CYR-1 1/4	9.525	31.75	20.6375	19.05	0.108	RF-20	CYR-1 1/4	Y40	YR-1 1/4	YCRS-20
CYR-1 3/8	9.525	34.925	20.6375	19.05	0.135	RF-22	CYR-1 3/8	Y44	YR-1 3/8	YCRS-22
CYR-1 1/2	11.1125	38.1	23.8125	22.225	0.1845	RF-24	CYR-1 1/2	Y48	YR-1 1/2	YCRS-24
CYR-1 5/8	11.1125	41.275	23.8125	22.225	0.225	RF-26	CYR-1 5/8	Y52	YR-1 5/8	YCRS-26
CYR-1 3/4	12.7	44.45	26.9875	25.4	0.288	RF-28	CYR-1 3/4	Y56	YR-1 3/4	YCRS-28
CYR-1 7/8	12.7	47.625	26.9875	25.4	0.36	RF-30	CYR-1 7/8	Y60	YR-1 7/8	YCRS-30
CYR-2	15.875	50.8	33.3375	31.75	0.4725	RF-32	CYR-2	Y64	YR-2	YCRS-32
CYR-2 1/4	15.875	57.15	33.3375	31.75	0.594	RF-36	CYR-2 1/4	Y72	YR-2 1/4	YCRS-36
CYR-2 1/2	19.05	63.5	39.6875	38.1	0.81	RF-40	CYR-2 1/2	Y80	YR-2 1/2	YCRS-40
CYR-2 3/4	19.05	69.85	39.6875	38.1	1.0125	RF-44	CYR-2 3/4	Y88	YR-2 3/4	YCRS-44
CYR-3	25.4	76.2	46.0375	44.45	1.395	RF-48	CYR-3	Y96	YR-3	YCRS-48
CYR-3 1/4	25.4	82.55	46.0375	44.45	1.629	RF-52	CYR-3 1/4	Y104	YR-3 1/4	YCRS-52
CYR-3 1/2	28.575	88.9	52.3875	50.8	2.2275	RF-56	CYR-3 1/2	Y112	YR-3 1/2	YCRS-56
CYR-4	31.75	101.6	58.7375	57.15	3.1725	RF-64	CYR-4	Y128	YR-4	YCRS-64
CYR-5	44.45	127	73.025	69.85	5.94		CYR-5	Y160	YR-5	YCRS-80
CYR-6	57.15	152.4	85.725	82.55	9.855		CYR-6	Y192	YR-6	YCRS-96
CYR-7	69.85	177.8	98.425	95.25	15.255		CYR-7	Y224		

Interchange							
Type	C&H	Carter	INA	McGill	RBC	Smith	Torrington
Cylindrical OD,without seal	CYR-3/4		RF-12	CYR-3/4	Y24	YR-3/4	YCR-12
Cylindrical OD,with seal	CYR-3/4-S		R12PP	CYR-3/4-S	Y24L	YR-3/4-X	YCRS-12
Crowned OD, without seal	CCYR-3/4		RF12Y	CCYR-3/4		YR-3/4-C	CYCR-12
Crowned OD, with seal	CCYR-3/4-S		PR12PPY	CCYR-3/4-S	CY...L	YR-3/4-XC	CYCRS-12
Stainless steel,Cylindrical,with seal	CYR-3/4-SCR	SY-24-S		CYR-3/4-SCR		YR-3/4-X-SS	
Cylindrical, bushing instead of roller	BCYR-3/4	NYR-24-A		BCYR-3/4		BYR-3/4	
Cylindrical, bushing instead of roller,sealed	BCYR-3/4-S	NYR-24-AS		BCYR-3/4-S		BYR-3/4-X	