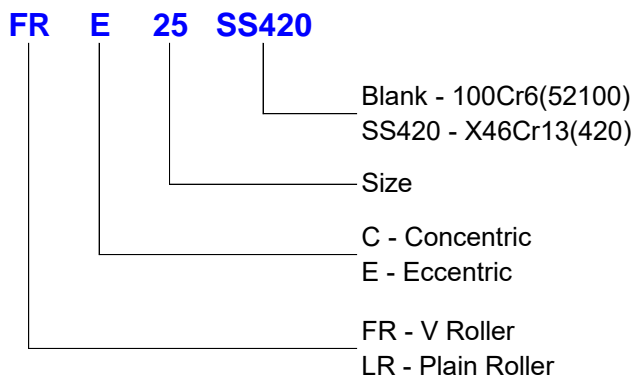


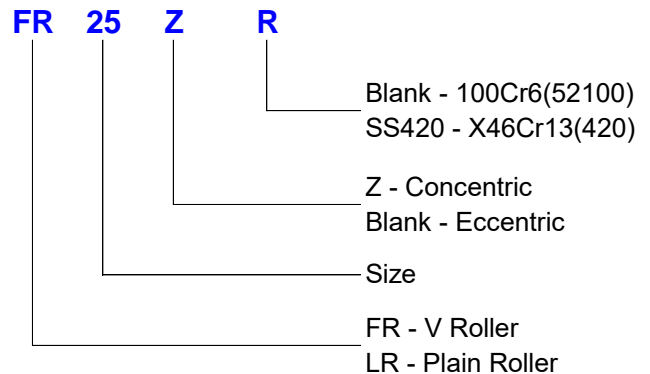
LR.../FR..



C&H Designation



Gudel Designation



◆ Features

The backlash setting and the pre-tensioning of the rollers takes place via the eccentric hub of the rollers of the series FRE or LRE. The FRC and LRC series are the concentric models. In the eccentric rollers, the inner bolts are provided with two holes. These allow for the adjustment of the backlash. If a roller is located in its zero position, the teeth backlash will be the standard value of 0.05 mm flank clearance.

The service life of the system will be reduced by excessive tensioning. With too little tension the rollers will not run, or will wear due to the poor meshing.

◆ Low Friction

The roller guides have a very low coefficient of friction. This value is slightly increased by the fitting of wipers to the rails.

◆ Corrosion resistance

Elements of the series with the suffix ..SS420 are available in stainless steel.(X46Cr13, DIN1.4034, AISI420)

Shanghai chenghui (C&H) Bearing Co.,Ltd

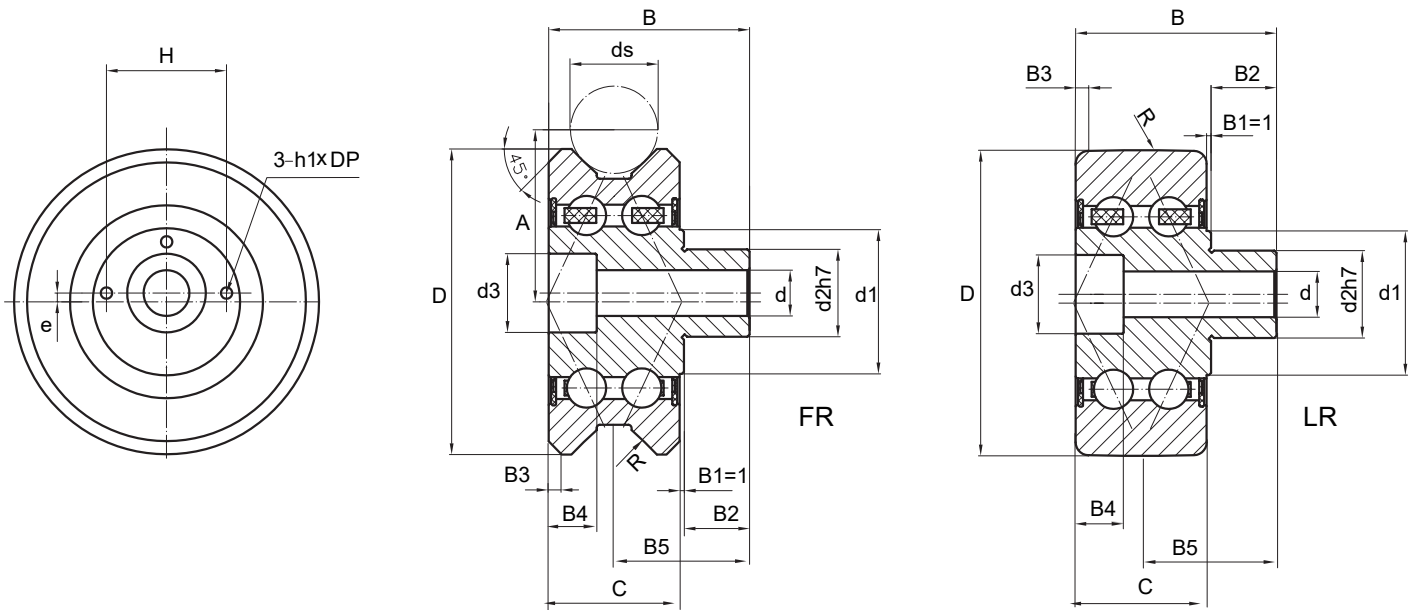
2-1709, No 289, Zheqian Road, Pudong, Shanghai, China

Tel: +86 (0) 21 58356710 Fax: +86 (0) 21 58356720

E-mail: jason@chenghuibearing.com / chenghui-china.com

Roller for Vee Bars & Plain Roller

LR.../FR..



Part Number	Dimensions																	Load Ratings				Limiting speed	Mass	Internal axial clearance	Bolt DIN912 8.8	Torque	Gudel	Gudel Part No.	KH	YYC					
	D	e	B	B1	B2	B3	B4	B5	H	d	d2h7	d1	d3	h1	DP	ds	A	R	C _{0w}	C _{w-6}	C _{w-7}										C _{w-8}	n _{max}	m	Ga	Nm
	mm																		KN													r/min	kg	um	
FR10	42	1	30	1	10	2	6.8	10.5	15.4	6.4	15	20.8	10.5	2.6	3	9	22.62	200	5.3	4.9		1.06	12000	0.15	+6/+23	M6x30	9.9	FR10	900710						
FR10A	42	1	30	1	10	2	6.8	10.5	15.4	6.4	15	20.8	10.5	2.6	3	9	22.62	200	4.8	4.4		0.95	12000	0.15	-3/-5	M6x30	9.9	FR10A	900711						
FR10Z	42	0	30	1	10	2	6.8	10.5	15.4	6.4	15	20.8	10.5	2.6	3	9	22.62	200	5.3	4.9		1.06	12000	0.15	+6/+23	M6x30	9.9	FR10Z	900712						
FR10ZA	42	0	30	1	10	2	6.8	10.5	15.4	6.4	15	20.8	10.5	2.6	3	9	22.62	200	4.8	4.4		0.95	12000	0.15	-3/-5	M6x30	9.9	FR10ZA	900714						
FR10SS420	42	1	30	1	10	2	6.8	10.5	15.4	6.4	15	20.8	10.5	2.6	3	9	22.62	200	3.9	3.7		0.8	12000	0.15	+6/+23	M6x30	9.9	FR10R	900713						
LR10	47	1	30	1	10	2	6.8	10.5	15.4	6.4	15	20.8	10.5	2.6	3	-	-	500	5.3	4.9		1.06	12000	0.18	+6/+23	M6x30	9.9	LR10	900810						
LR10A	47	1	30	1	10	2	6.8	10.5	15.4	6.4	15	20.8	10.5	2.6	3	-	-	500	4.8	4.4		0.95	12000	0.18	-3/-5	M6x30	9.9	LR10A	900811						
LR10Z	47	0	30	1	10	2	6.8	10.5	15.4	6.4	15	20.8	10.5	2.6	3	-	-	500	5.3	4.9		1.06	12000	0.18	+6/+23	M6x30	9.9	LR10Z	900812						
LR10SS420	47	1	30	1	10	2	6.8	10.5	15.4	6.4	15	20.8	10.5	2.6	3	-	-	500	3.9	3.7		0.8	12000	0.18	+6/+23	M6x30	9.9	LR10R	900813						
FR15	53	1	35	1	12	2	9	12	18.5	8.4	15	23.8	13.5	2.4	3	14	29.65	250	6.8	7.2	3.34	1.56	9000	0.25	+6/+23	M8x35	24	FR15	900715	VR15A	UV15Y				
FR15A	53	1	35	1	12	2	9	12	18.5	8.4	15	23.8	13.5	2.4	3	14	29.65	250	6.1	6.5		1.4	9000	0.25	-3/-5	M8x35	24	FR15A	900716						
FR15Z	53	0	35	1	12	2	9	12	18.5	8.4	15	23.8	13.5	2.4	3	14	29.65	250	6.8	7.2	3.34	1.56	9000	0.25	+6/+23	M8x35	24	FR15Z	900717	VR15B	UV15N				
FR15ZA	53	0	35	1	12	2	9	12	18.5	8.4	15	23.8	13.5	2.4	3	14	29.65	250	6.1	6.5		1.17	9000	0.25	-3/-5	M8x35	24	FR15ZA	900719						
FR15SS420	53	1	35	1	12	2	9	12	18.5	8.4	15	23.8	13.5	2.4	3	14	29.65	250	5.1	5.4	2.49	1.56	9000	0.25	+6/+23	M8x35	24	FR15R	900718						
LR15	47	1	35	1	12	2	9	12	18.5	8.4	15	23.8	13.5	2.6	3	-	-	500	6.8	7.2	3.28	1.56	9000	0.18	+6/+23	M8x35	24	LR15	900815	FR15A	UR15Y				
LR15A	47	1	35	1	12	2	9	12	18.5	8.4	15	23.8	13.5	2.6	3	-	-	500	6.1	6.5		1.4	9000	0.18	-3/-5	M8x35	24	LR15A	900816						
LR15Z	47	0	35	1	12	2	9	12	18.5	8.4	15	23.8	13.5	2.6	3	-	-	500	6.8	7.2	3.28	1.56	9000	0.18	+6/+23	M8x35	24	LR15Z	900817	FR15B	UR15N				
LR15SS420	47	1	35	1	12	2	9	12	18.5	8.4	15	23.8	13.5	2.6	3	-	-	500	5.1	5.4	2.45	1.56	9000	0.18	+6/+23	M8x35	24	LR15R	900818						
FR20	63	1	46	1	15	3	11	16	22.5	10.5	20	27.7	16.5	2.6	3	20	36.2	300	9.5	10.2	4.73	2.2	7000	0.5	+7/+25	M10x50	48	FR20	900720	VR20A	UV20Y				
FR20A	63	1	46	1	15	3	11	16	22.5	10.5	20	27.7	16.5	2.6	3	20	36.2	300	8.6	9		2	7000	0.5	-3/-5	M10x50	48	FR20A	900721						
FR20Z	63	0	46	1	15	3	11	16	22.5	10.5	20	27.7	16.5	2.6	3	20	36.2	300	9.5	10.2	4.73	2.2	7000	0.5	+7/+25	M10x50	48	FR20Z	900722	VR20B	UV20N				
FR20ZA	63	0	46	1	15	3	11	16	22.5	10.5	20	27.7	16.5	2.6	3	20	36.2	300	8.6	9		2	7000	0.5	-3/-5	M10x50	48	FR20ZA	900724						
FR20SS420	63	1	46	1	15	3	11	16	22.5	10.5	20	27.7	16.5	2.6	3	20	36.2	300	7.1	7.5	3.55	1.65	7000	0.5	+7/+25	M10x50	48	FR20R	900723						

Cow : static load rating; Cw-6 : dynamic load rating normal service life 10⁶m distance; Cw-7 : dynamic load rating normal service life 10⁷m distance; Cw-8 : dynamic load rating normal service life 10⁸m distance.
Pre-load internal axial clearance: -3/+5.

Shanghai chenghui (C&H) Bearing Co.,Ltd

2-1709, No 289, Zheqian Road, Pudong, Shanghai, China

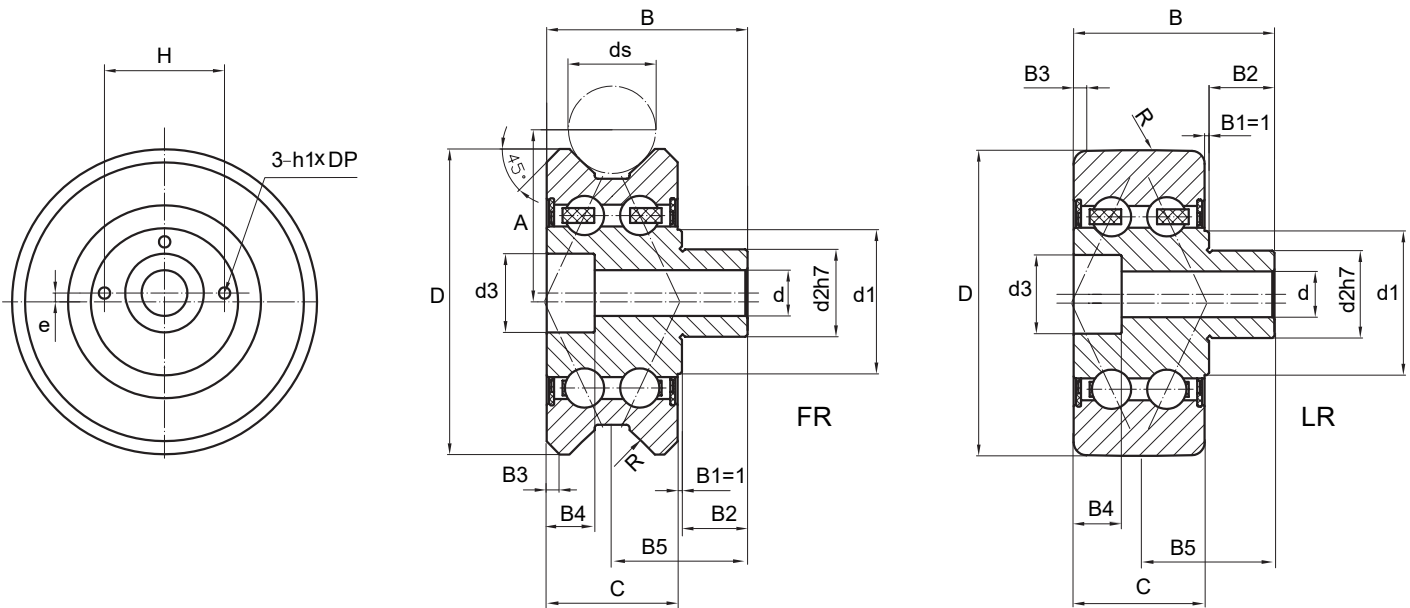
Tel: +86 (0) 21 58356710 Fax: +86 (0) 21 58356720

E-mail: jason@chenghuibearing.com / chenghui-china.com

Roller for Vee Bars & Plain Roller



LR.../ FR..



Part Number	Dimensions																Load Ratings				Limiting speed n_{max}	Mass m	Internal axial clearance Ga	Bolt DIN912 8.8	Torque	Gudel	Gudel Part No.	KH	YYC						
	D	e	B	B1	B2	B3	B4	B5	H	d	d2h7	d1	d3	h1	DP	ds	A	R	C_{0w}	C_{w-6}										C_{w-7}	C_{w-8}	r/min	kg	μm	Nm
	mm																KN													r/min	kg	μm	Nm		
LR20	72	1	46	1	15	3	11	16	22.5	10.5	20	27.7	16.5	2.6	3	-	-	500	9.5	10.2	5.09	2.2	7000	0.5	+7/+25	M10x50	48	LR20	900820	FR20A	UR20Y				
LR20A	72	1	46	1	15	3	11	16	22.5	10.5	20	27.7	16.5	2.6	3	-	-	500	8.6	9		2	7000	0.5	-3/-5	M10x50	48	LR20A	900821						
LR20Z	72	0	46	1	15	3	11	16	22.5	10.5	20	27.7	16.5	2.6	3	-	-	500	9.5	10.2	5.09	2.2	7000	0.5	+7/+25	M10x50	48	LR20Z	900822	FR20B	UR20N				
LR20SS420	72	1	46	1	15	3	11	16	22.5	10.5	20	27.7	16.5	2.6	3	-	-	500	7.1	7.5	3.55	1.65	7000	0.5	+7/+25	M10x50	48	LR20R	900823						
FR22	70	2	46	1	15	3	11	16	27.5	10.5	20	33	18	2.6	3	20	39.4	300	8.6	9		2	7000	0.6	-3/-5	M10x50	48								
FR22Z	70	0	46	1	15	3	11	16	27.5	10.5	20	33	18	2.6	3	20	39.4	300	8.6	9		2	7000	0.6	-3/-5	M10x50	48								
FR25	77	1	60	1	20	3.5	13	20.5	27.5	13	25	35.6	20.5	4.1	4.5	24	43.42	360	15	16.3	7.56	3.53	5600	1.1	+8/+27	M12x60	83	FR25	900725	VR25A	UV25Y				
FR25A	77	1	60	1	20	3.5	13	20.5	27.5	13	25	35.6	20.5	4.1	4.5	24	43.42	360	13.5	14.7		3.2	5600	1.1	-3/-5	M12x60	83	FR25A	900726						
FR25Z	77	0	60	1	20	3.5	13	20.5	27.5	13	25	35.6	20.5	4.1	4.5	24	43.42	360	15	16.3	7.56	3.53	5600	1.1	+8/+27	M12x60	83	FR25Z	900727	VR25B	UV25N				
FR25ZA	77	0	60	1	20	3.5	13	20.5	27.5	13	25	35.6	20.5	4.1	4.5	24	43.42	360	13.5	14.7		3.2	5600	1.1	-3/-5	M12x60	83	FR25ZA	900729						
FR25SS420	77	1	60	1	20	3.5	13	20.5	27.5	13	25	35.6	20.5	4.1	4.5	24	43.42	360	11	12.45	5.68	2.65	5600	1.1	+8/+27	M12x60	83	FR25R	900728						
LR25	85	1	60	1	20	3.5	13	20.5	27.5	13	25	35.6	20.5	4.1	4.5	-	-	500	15	16.3	8.07	3.53	5600	1.1	+8/+27	M12x60	83	LR25	900825	FR25A	UR25Y				
LR25A	85	1	60	1	20	3.5	13	20.5	27.5	13	25	35.6	20.5	4.1	4.5	-	-	500	13.5	14.7		3.2	5600	1.1	-3/-5	M12x60	83	LR25A	900826						
LR25Z	85	0	60	1	20	3.5	13	20.5	27.5	13	25	35.6	20.5	4.1	4.5	-	-	500	15	16.3	8.07	3.53	5600	1.1	+8/+27	M12x60	83	LR25Z	900827	FR25B	UR25N				
LR25SS420	85	1	60	1	20	3.5	13	20.5	27.5	13	25	35.6	20.5	4.1	4.5	-	-	500	11	12.45	6.06	2.65	5600	1.1	+8/+27	M12x60	83	LR25R	900828						
FR35	107	1	84	1	25	7.5	17.5	30	42	17	40	56.9	28.5	4.1	4.5	35	61.25	500	32	28.4	13.94	6.15	3600	2.8	+11/+33	M16x80	200	FR35	900735	VR35A	UV35Y				
FR35A	107	1	84	1	25	7.5	17.5	30	42	17	40	56.9	28.5	4.1	4.5	35	61.25	500	28.8	25.6		5.5	3600	2.8	-3/-5	M16x80	200	FR35A	900736						
FR35Z	107	0	84	1	25	7.5	17.5	30	42	17	40	56.9	28.5	4.1	4.5	35	61.25	500	32	28.4	13.94	6.15	3600	2.8	+11/+33	M16x80	200	FR35Z	900737	VR35B	UV35N				
FR35ZA	107	0	84	1	25	7.5	17.5	30	42	17	40	56.9	28.5	4.1	4.5	35	61.25	500	28.8	25.6		5.5	3600	2.8	-3/-5	M16x80	200	FR35ZA	900739						
FR35SS420	107	1	84	1	25	7.5	17.5	30	42	17	40	56.9	28.5	4.1	4.5	35	61.25	500	24	21.3	10.43	4.6	3600	2.8	+11/+33	M16x80	200	FR35R	900738						
LR35	100	1	84	1	25	7.5	17.5	30	42	17	40	56.9	28.5	4.1	4.5	-	-	500	32	28.4	14.04	6.15	3600	3	+11/+33	M16x80	200	LR35	900835	FR35A	UR35Y				
LR35A	100	1	84	1	25	7.5	17.5	30	42	17	40	56.9	28.5	4.1	4.5	-	-	500	28.8	25.6		5.5	3600	3	-3/-5	M16x80	200	LR35A	900836						
LR35Z	100	0	84	1	25	7.5	17.5	30	42	17	40	56.9	28.5	4.1	4.5	-	-	500	32	28.4	14.04	6.15	3600	3	+11/+33	M16x80	200	LR35Z	900837	FR35B	UR35N				
LR35SS420	100	1	84	1	25	7.5	17.5	30	42	17	40	56.9	28.5	4.1	4.5	-	-	500	24	21.3	10.5	4.6	3600	3	+11/+33	M16x80	200	LR35R	900838						

Cow : static load rating; Cw-6 : dynamic load rating normal service life 10⁶m distance; Cw-7 : dynamic load rating normal service life 10⁷m distance; Cw-8 : dynamic load rating normal service life 10⁸m distance.
Pre-load internal axial clearance: -3/+5.

Shanghai chenghui (C&H) Bearing Co.,Ltd

2-1709, No 289, Zheqian Road, Pudong, Shanghai, China

Tel: +86 (0) 21 58356710 Fax: +86 (0) 21 58356720

E-mail: jason@chenghuibearing.com / chenghui-china.com

FR-03