

Full series linear bearings is an economical solution and widely used in all kind of machine tools, grinding machine, electrical instruments, measure instruments. With high quality and competitive price, help custome to save money and time.

Catalog Index

Technical description

Slide bush-LM (SM)

Europe Metric-LME (KB)

Slide bush-Inch LMB (SW)

Long type-LM...L (SM...W)

Long type Europe Metric -LME...L (KB...W)

Flange type-LMF...LMK...LMH (SMF...SMK...SMH)

Flange type Europe Metric -LMEF...LMEK...LMEH (KBF...KBK...KBH)

Flange long type -LMF...L, LMK...L, LMH...L (SMF...L,SMK...L,SMH...L)

Flange long type Europe Metric -LMEF...L, LMEK...L (KBF...L,KBK...L)

Middle flange long type -LMFM...LMKM...LMHM (SMFC...SMKC...SMHC)

Linear motion bearings (Compact range)-

Miniature KH

Stroke bush-ST...ST-B

Super smart slide bush-SSLME

Super slide bush-LMES-UU-OP

Super slide bush-LMBS-UU-OP

Slide case unit-SC...SC-L (SMA...SMA-W)

Slide case unit Europe Metric-SCE...SCE-L

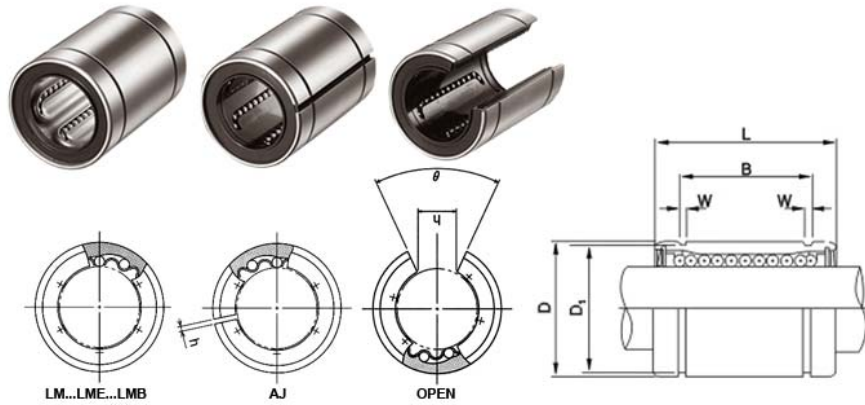
Slide case unit Inch type -SWA...UU



Technical description

Main Material:	
Bearing body:	GCr15/100Cr6/SUJ2, POM
Bearing Retainer:	POM
Ball:	GCr15/100Cr6/SUJ2 ,440C ,Ceramic
Bearing steel liner:	GCr15/100Cr6/SUJ2
Bearing Rubber Seal:	NBR
Case units:	Aluminum-Anodizing/sandblast
1 N=0.102 kgf	Asia metric: g6 Europe Metric: h6

Slide bush-LM (SM)



Bearing No.				Main Dimension														eccentricity		Load rating			Mass		
Resin	Standard	Adjust	Open	dr	Tolerance(um)	D	Tolerance	L	Tolerance	B	Tolerance	W	D1	h	h1	θ	(um)		(kgf)			(g)			
Retainer	Ball rows	Ball rows	Ball rows	mm	Precision	mm	(um)	mm	(um)	mm	(um)	mm	mm	mm	mm	°	Precision	High	C	Co					
SM6GA	LM6UU	3	-	6	0-6	12	0-10	19	0-200	13.5	0-200	1.1	11.5	-	-	-	8	12	11	19	8				
SM8SGA	LM8SUU	4	-	8	0-6	15	0-10	17	0-200	11.5	0-200	1.1	14.3	-	-	-	8	12	10	16	11				
SM8GA	LM8UU	4	-	8	0-6	15	0-10	24	0-200	17.5	0-200	1.1	14.3	-	-	-	8	12	12	23	16				
SM10GA	LM10UU	4	-	10	0-6	19	0-10	29	0-200	22	0-200	1.3	18	-	-	-	8	12	26	43	30				
SM12GA	LM12UU	5	LM12UU AJ	5	LM12UU OP	4	12	0-6	0-9	21	0-12	30	0-200	23	0-200	1.3	20	1.5	7.5	80°	8	12	27	50	31.5
SM13GA	LM13UU	6	LM13UU AJ	6	LM13UU OP	4	13	0-6	0-9	23	0-12	32	0-200	23	0-200	1.3	22	1.5	9	80°	8	12	30	52	43
SM16GA	LM16UU	6	LM16UU AJ	6	LM16UU OP	4	16	0-6	0-9	28	0-12	37	0-200	26.5	0-200	1.6	27	1.5	11	80°	8	12	49	78	69
SM20GA	LM20UU	6	LM20UU AJ	6	LM20UU OP	5	20	0-7	0-10	32	0-14	42	0-300	30.5	0-300	1.6	30.5	1.5	11	60°	10	15	60	105	87
SM25GA	LM25UU	6	LM25UU AJ	6	LM25UU OP	6	25	0-7	0-9	40	0-14	59	0-300	41	0-300	1.85	38	2	13	50°	10	15	105	185	220
SM30GA	LM30UU	6	LM30UU AJ	6	LM30UU OP	6	30	0-7	0-10	45	0-14	64	0-300	44.5	0-300	1.85	43	2.5	15	50°	10	15	140	255	250
SM35GA	LM35UU	6	LM35UU AJ	6	LM35UU OP	6	35	0-8	0-12	52	0-17	70	0-300	49.5	0-300	2.1	49	3	17	50°	12	20	160	315	390
SM38GA	LM38UU	6	LM38UU AJ	6	LM38UU OP	6	38	0-8	0-12	57	0-17	76	0-300	58.5	0-300	2.1	54.5	3	18	50°	12	20	205	365	495
SM40GA	LM40UU	6	LM40UU AJ	6	LM40UU OP	6	40	0-8	0-12	60	0-17	80	0-300	60.5	0-300	2.1	57	3	20	50°	12	20	235	450	585
SM50GA	LM50UU	6	LM50UU AJ	6	LM50UU OP	6	50	0-8	0-12	80	0-17	100	0-300	74	0-300	2.6	76.5	3	25	50°	12	20	450	730	1580
SM60GA	LM60UU	6	LM60UU AJ	6	LM60UU OP	6	60	0-9	0-15	90	0-20	110	0-400	85	0-400	3.15	86.5	3	30	50°	17	25	490	830	2000
SM80GA	LM80UU	6	LM80UU AJ	6	LM80UU OP	6	80	0-9	0-15	120	0-20	140	0-400	105.5	0-400	4.15	116	3	40	50°	17	25	835	1310	4520
SM100GA	LM100UU	6	LM100UU AJ	6	LM100UU OP	6	100	0-10	0-20	150	0-25	175	0-400	125.5	0-400	4.15	145	3	50	50°	20	30	1260	2010	8600

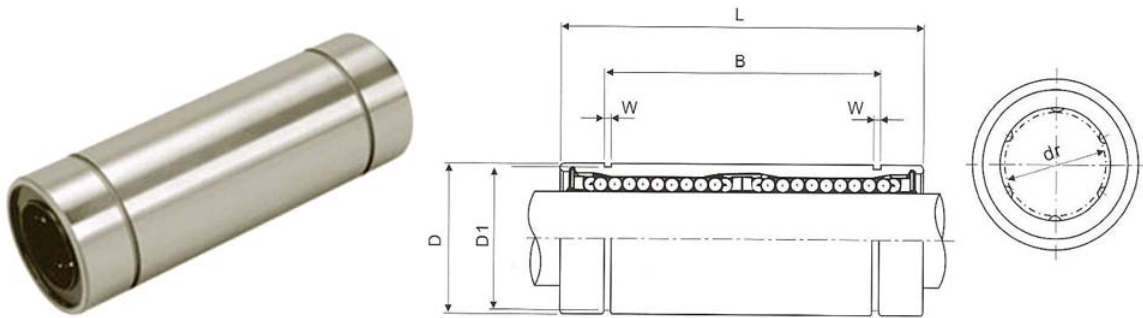
Europe Metric-LME (KB)

Bearing No.				Main Dimension														eccentricity		Load rating			Mass	
Resin	Standard	Adjust	Open	dr	Tolerance	D	Tolerance	L	Tolerance	B	Tolerance	W	D1	h	h1	θ	(um)		(kgf)			(g)		
retainer	Ball rows	Ball rows	Ball rows	mm	(um)	mm	(um)	mm	(um)	mm	(um)	mm	mm	mm	mm	°	Precision	High	C	Co				
KB5GA	LME5UU	3	-	5	+8-0	12	0-8	22	0-200	14.5	0-200	1.1	11.5	-	-	-	12	12	12	22	11			
KB8GA	LME8UU	4	-	8	+8-0	16	0-8	25	0-200	16.5	0-200	1.1	15.2	-	-	-	12	14	26	20				
KB12GA	LME12UU	4	LME12UU AJ	4	LME12UU OP	3	12	+8-0	22	0-9	32	0-200	22.9	0-200	1.3	21	1.5	7.5	78°	12	60	51	41	
KB16GA	LME16UU	4	LME16UU AJ	4	LME16UU OP	3	16	+9-0	26	0-9	36	0-200	24.9	0-200	1.3	24.9	1.5	10	78°	12	49	78	57	
KB20GA	LME20UU	5	LME20UU AJ	5	LME20UU OP	4	20	+9-0	32	0-11	45	0-200	31.5	0-200	1.6	30.3	2	10	60°	15	66	225	91	
KB25GA	LME25UU	6	LME25UU AJ	6	LME25UU OP	5	25	+11-1	40	0-11	58	0-300	44.1	0-300	1.85	37.5	2	12.5	50°	15	105	185	215	
KB30GA	LME30UU	6	LME30UU AJ	6	LME30UU OP	5	30	+11-2	47	0-11	68	0-300	52.1	0-300	1.85	44.5	2	12.5	50°	15	150	280	325	
KB40GA	LME40UU	6	LME40UU AJ	6	LME40UU OP	5	40	+13-2	62	0-13	80	0-300	60.6	0-300	2.15	59	2	16.8	50°	17	235	450	705	
KB50GA	LME50UU	6	LME50UU AJ	6	LME50UU OP	5	50	+13-3	75	0-13	100	0-300	77.6	0-300	2.65	72	2	21	50°	17	380	650	1130	
KB60GA	LME60UU	6	LME60UU AJ	6	LME60UU OP	5	60	+13-4	90	0-13	125	0-400	101.7	0-400	3.15	86.5	3	27.2	50°	20	635	1200	2220	
KB80GA	LME80UU	6	LME80UU AJ	6	LME80UU OP	5	80	+16-4	120	0-15	165	0-400	133.7	0-400	4.15	116	3	36.3	50°	20	1040	1800	5140	

Slide bush-Inch LMB (SW)

Bearing No.				Main Dimension														eccentricity		Load rating			Mass		
Resin	Standard	Adjust	Open	dr	Tolerance	D	Tolerance	L	Tolerance	B	Tolerance	W	D1	h	h1	θ	(um)		(kgf)			(g)			
Retainer	Ball rows	Ball rows	Ball rows	inch	(um)	inch	(um)	inch	(um)	inch	(um)	inch	inch	inch	inch	°	Precision	High	C	Co					
SW4GUU	LMB4UU	4	LMB4UU AJ	4	-	0.25	0-6	0-9	0.5	0-11	0.75	0-200	0.511	0-200	0.039	0.4687	0.004	-	8	12	21	27	10		
SW6GUU	LMB6UU	4	LMB6UU AJ	4	-	0.375	0-6	0-9	0.652	0-13	0.875	0-200	0.6358	0-200	0.039	0.588	0.004	-	8	12	23	2	15		
SW8GUU	LMB8UU	4	LMB8UU AJ	4	LMB8UU OP	3	0.5	0-6	0-9	0.875	0-13	1.25	0-200	0.9625	0-200	0.0459	0.8209	0.006	0.34	80°	8	12	52	80	42
SW10GUU	LMB10UU	4	LMB10UU AJ	4	LMB10UU OP	3	0.625	0-6	0-9	1.125	0-13	1.5	0-200	1.1039	0-200	0.0559	1.059	0.006	0.375	80°	8	12	79	120	69
SW12GUU	LMB12UU	5	LMB12UU AJ	5	LMB12UU OP	4	0.75	0-7	0-10	1.25	0-16	1.625	0-200	1.1657	0-200	0.0559	1.176	0.006	0.4375	60°	10	15	88	140	104
SW16GUU	LMB16UU	6	LMB16UU AJ	6	LMB16UU OP	5	1	0-7	0-10	1.5625	0-16	2.25	0-300	1.7547	0-300	0.0679	1.4687	0.006	0.5625	50°	10	15	100	160	220
SW20GUU	LMB20UU	6	LMB20UU AJ	6	LMB20UU OP	5	1.25	0-8	0-12	2	0-19	2.625	0-300	2.0047	0-300	0.0679	1.8859	0.01	0.625	50°	12	20	160	279	465
SW24GUU	LMB24UU	6	LMB24UU AJ	6	LMB24UU OP	5	1.5	0-8	0-12	2.375	0-19	3	0-300	2.4118	0-300	0.0859	2.2389	0.012	0.75	50°	12	20	222	410	720
SW32GUU	LMB32UU	6	LMB32UU AJ	6	LMB32UU OP	5	2	0-8	0-12	3	0-22	4	0-300	3.1917	0-300	0.1029	2.8379	0.012	1	50°	17	25	390	810	1310
SW40GUU	LMB40UU	6	LMB40UU AJ	6	LMB40UU OP	5	2.5	0-9	0-13	3.75	0-22	5	0-300	3.976	0-300	0.12	3.5519	0.017						2600	
SW48GUU	LMB48UU	6	LMB48UU AJ	6	LMB48UU OP	5	3	0-9	0-13	4.5	0-22	6	0-400	4.726	0-400	0.12	4.31	0.17						4380	
SW64GUU	LMB64UU	6	LMB64UU AJ	6	LMB64UU OP	5	4	0-10	0-20	6	0-25	8	0-400	6.258	0-400	0.1389	5.745	0.02						10200	

Long type-LM...L (SM...W)

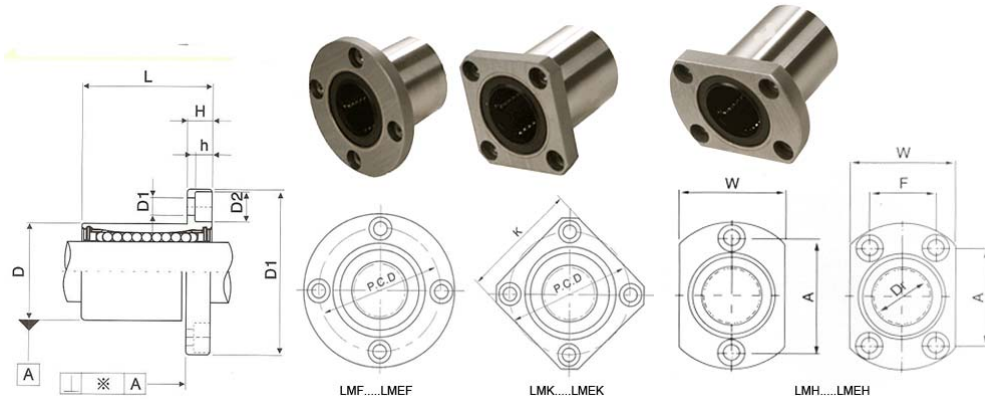


Bearing No.		Ball rows	Main Dimension (mm)								Load rating		Mass	
Resin retainer	Steel retainer		dr	tolerance	D	tolerance	L	B	W	D1	(kgf)			
			mm	(μm)	mm	(μm)	mm	mm	mm	mm	C	Co	(g)	
SM6GWUU	LM6LUU	LM6LUU-A	4	6	0-10	12	0-13	35	27	1.1	11.5	33	53	16
SM8GWUU	LM8LUU	LM8LUU-A	4	8	0-10	15	0-13	45	35	1.1	14.3	44	80	31
SM10GWUU	LM10LUU	LM10LUU-A	4	10	0-10	19	0-16	55	44	1.3	18	59	112	62
SM12GWUU	LM12LUU	LM12LUU-A	4	12	0-10	21	0-16	57	46	1.3	20	66	122	80
SM13GWUU	LM13LUU	LM13LUU-A	4	13	0-10	23	0-16	61	46	1.3	22	83	160	90
SM16GWUU	LM16LUU	LM16LUU-A	5	16	0-10	28	0-16	70	53	1.6	27	125	240	145
SM20GWUU	LM20LUU	LM20LUU-A	5	20	0-12	32	0-19	80	61	1.6	30.5	143	281	180
SM25GWUU	LM25LUU	LM25LUU-A	6	25	0-12	40	0-19	112	82	1.85	38	159	320	440
SM30GWUU	LM30LUU	-	6	30	0-12	45	0-19	123	89	1.85	43	254	560	580
SM35GWUU	LM35LUU	-	6	35	0-15	52	0-22	135	99	2.1	49	270	660	795
SM40GWUU	LM40LUU	-	6	40	0-15	60	0-22	154	121	2.1	57	350	820	1170
SM50GWUU	LM50LUU	-	6	50	0-15	80	0-22	192	148	2.6	76.5	620	1622	3100
SM60GWUU	LM60LUU	-	6	60	0-20	90	0-25	211	170	3.15	86.5	780	2040	3500

Long type Europe Metric –LME...L (KB...W)

Bearing No.		Ball rows	Main Dimension (mm)								Load rating		Mass	
Resin retainer	Steel retainer		dr	tolerance	D	tolerance	L	B	W	D1	(kgf)			
			mm	(μm)	mm	(μm)	mm	mm	mm	mm	C	Co	(g)	
KB8GWUU	LME8LUU	LME8LUU-A	4	8	+9-1	16	0-9	45	33	1.1	15.2	44	80	31
KB12GWUU	LME12LUU	LME12LUU-A	4	12	+9-1	22	0-11	57	45.8	1.3	21	66	122	80
KB16GWUU	LME16LUU	LME16LUU-A	5	16	+11-1	26	0-11	70	49.8	1.3	24.9	125	240	145
KB20GWUU	LME20LUU	LME20LUU-A	5	20	+11-1	32	0-13	80	61	1.6	30.3	143	281	180
KB25GWUU	LME25LUU	LME25LUU-A	6	25	+13-2	40	0-13	112	82	1.85	38	159	320	440
KB30GWUU	LME30LUU	-	6	30	+13-2	47	0-13	123	104.2	1.85	44.5	254	560	580
KB40GWUU	LME40LUU	-	6	40	+16-4	62	0-15	154	121.2	2.15	59	350	820	1170
KB50GWUU	LME50LUU	-	6	50	+16-4	75	0-15	192	155.2	2.65	72	620	1622	3100
KB60GWUU	LME60LUU	-	6	60	+16-4	90	0-20	211	170	3.15	86.5	780	2040	3500

Flange type-LMF...LMK...LMH (SMF...SMK...SMH)

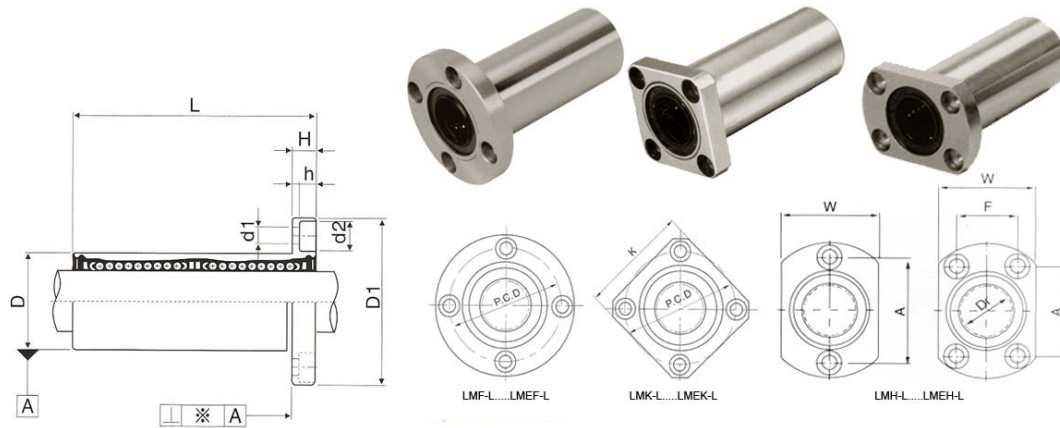


Bearing No.		Main Dimension (mm)								Flange Dimension (mm)								Load rating				
Round flange	Mass	square	Mass	side cut	Mass	dr	Tolerance	D	Tolerance	L	Tolerance	Df	K	t	PCD	X	Y	Z	W	(kgf)		
	(g)		(g)		(g)	mm	(μ m)	mm	(μ m)	mm	(μ m)	mm	mm	mm	mm	mm	mm	mm	mm	C	Co	
SMF6GUU	LMF6UU	24	LMK6UU	18	LMH6UU	21	6	0-9	12	0-13	19	\pm 300	28	22	5	20	3.5	6	3.1	18	21	27
SMF8SGUU	LMF8SUU	32	LMK8SUU	24	LMH8SUU	28	8	0-9	15	0-13	17	\pm 300	32	25	5	24	3.5	6	3.1	21	18	22
SMF8GUU	LMF8UU	37	LMK8UU	29	LMH8UU	33	8	0-9	15	0-13	24	\pm 300	32	25	5	24	3.5	6	3.1	21	28	40
SMF10GUU	LMF10UU	72	LMK10UU	52	LMH10UU	64	10	0-9	19	0-16	29	\pm 300	40	30	6	29	4.5	7.5	4.1	25	38	56
SMF12GUU	LMF12UU	76	LMK12UU	57	LMH12UU	68	12	0-9	21	0-16	30	\pm 300	42	32	6	32	4.5	7.5	4.1	27	52	80
SMF13GUU	LMF13UU	88	LMK13UU	72	LMH13UU	81	13	0-9	23	0-16	32	\pm 300	43	34	6	33	4.5	7.5	4.1	29	52	80
SMF16GUU	LMF16UU	120	LMK16UU	104	LMH16UU	112	16	0-9	28	0-16	37	\pm 300	48	37	6	38	4.5	7.5	4.1	34	79	120
SMF20GUU	LMF20UU	180	LMK20UU	145	LMH20UU	167	20	0-10	32	0-19	42	\pm 300	54	42	8	43	5.5	9	5.1	38	90	140
SMF25GUU	LMF25UU	340	LMK25UU	300	LMH25UU	325	25	0-10	40	0-19	59	\pm 300	62	50	8	51	5.5	9	5.1	46	100	160
SMF30GUU	LMF30UU	470	LMK30UU	375	LMH30UU	388	30	0-10	45	0-19	64	\pm 300	74	58	10	60	6.6	11	6.1	51	160	279
SMF35GUU	LMF35UU	650	LMK35UU	560		35	0-12	52	0-22	70	\pm 300	82	64	10	67	6.6	11	6.1		170	320	
SMF40GUU	LMF40UU	1060	LMK40UU	880		40	0-12	60	0-22	80	\pm 300	96	75	13	78	9	14	8.1		220	410	
SMF50GUU	LMF50UU	2200	LMK50UU	2000		50	0-12	80	0-22	100	\pm 300	116	92	13	98	9	14	8.1		390	810	
SMF60GUU	LMF60UU	3000	LMK60UU	2560		60	0-15	90	0-25	110	\pm 300	134	106	18	112	11	17	11.1		479	1020	
SMF80GUU	LMF80UU	5800	LMK80UU	5300		80	0-15	120	0-25	140	\pm 300	164	136	18	142	11	17	11.1		750	1632	
SMF100GUU	LMF100UU	10600	LMK100UU	9900		100	0-20	150	0-29	175	\pm 300	200	170	20	175	14	20	13.1		1438	3550	

Flange type Europe Metric -LMEF...LMEK...LMEH (KBF...KBK...KBH)

Bearing No.		Main Dimension (mm)								Flange Dimension (mm)								Load rating	
Round flange	Mass	square	Mass	dr	Tolerance	D	Tolerance	L	Tolerance	Df	K	t	PCD	X	Y	Z	(kgf)		
	(g)		(g)	mm	(μ m)	mm	(μ m)	mm	(μ m)	mm	mm	mm	mm	mm	mm	mm	C	Co	
KBF8GUU	LMEF8UU	41	LMEK8UU	33	8	+8-0	16	0-13	25	\pm 300	32	25	5	24	3.5	6	3.1	27	41
KBF12GUU	LMEF12UU	80	LMEK12UU	64	12	+8-0	22	0-16	32	\pm 300	42	32	6	32	4.5	7.5	4.1	52	80
KBF16GUU	LMEF16UU	103	LMEK16UU	90	16	+9-1	26	0-16	36	\pm 300	46	35	6	36	4.5	7.5	4.1	59	91
KBF20GUU	LMEF20UU	182	LMEK20UU	147	20	+9-1	32	0-19	45	\pm 300	54	42	8	43	5.5	9	5.1	88	140
KBF25GUU	LMEF25UU	335	LMEK25UU	295	25	+11-1	40	0-19	58	\pm 300	62	50	8	51	5.5	9	5.1	100	160
KBF30GUU	LMEF30UU	560	LMEK30UU	465	30	+11-1	47	0-19	68	\pm 300	76	60	10	62	6.6	11	6.1	160	279
KBF40GUU	LMEF40UU	1175	LMEK40UU	975	40	+13-2	62	0-22	80	\pm 300	98	75	13	80	9	14	8.1	220	410
KBF50GUU	LMEF50UU	1745	LMEK50UU	1545	50	+13-2	75	0-22	100	\pm 300	112	88	13	94	9	14	8.1	390	810
KBF60GUU	LMEF60UU	3220	LMEK60UU	2780	60	+13-2	90	0-25	125	\pm 300	134	106	18	112	11	17	11.1	479	1000
KBF80GUU	LMEF80UU	6420	LMEK80UU	5920	80	+16-4	120	0-25	165	\pm 300	164	136	18	142	11	17	11.1	750	1632

Flange long type -LMF...L, LMK...L, LMH...L (SMF...L,SMK...L,SMH...L)

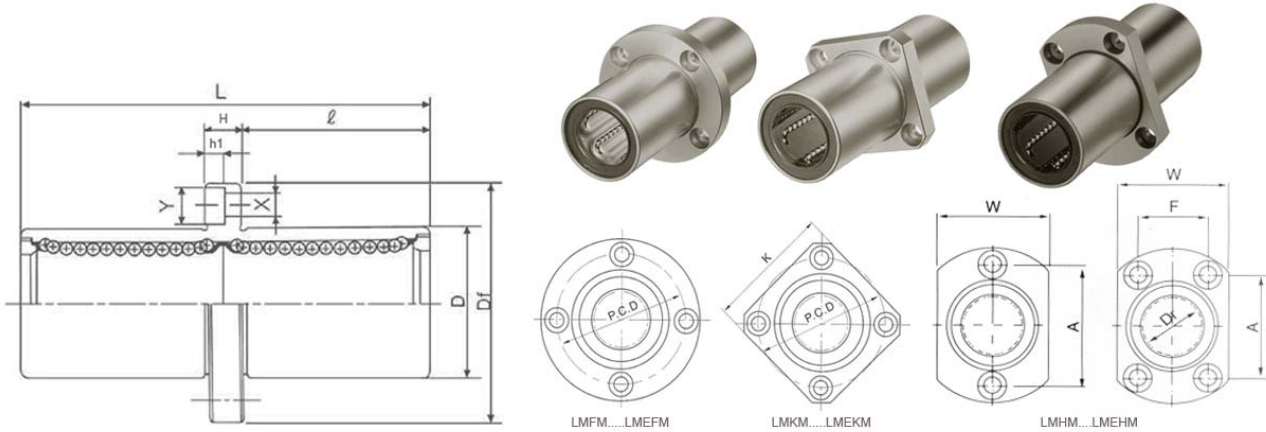


Bearing No.		Main Dimension (mm)										Flange Dimension (mm)							Load rating			
Round Flange	Mass	square	Mass	side cut	Mass	dr	Tolerance	D	Tolerance	L	Tolerance	Df	K	t	PCD	X	Y	Z	W	(kgf)		
	(g)		(g)		(g)	mm	(μm)	mm	(μm)	mm	(μm)	mm	mm	mm	mm	mm	mm	mm	mm	C	Co	
SMF6GLUU	LMF6LUU	31	LMK6LUU	25	LMH6LUU	31	6	0-10	12	0-13	35	± 300	28	22	5	20	3.5	6	3.1	18	33	54
SMF8GLUU	LMF8LUU	51	LMK8LUU	43	LMH8LUU	53	8	0-10	15	0-13	45	± 300	32	25	5	24	3.5	6	3.1	21	44	80
SMF10GLUU	LMF10LUU	98	LMK10LUU	78	LMH10LUU	105	10	0-10	19	0-16	55	± 300	40	30	6	29	4.5	7.5	4.1	25	60	112
SMF12GLUU	LMF12LUU	110	LMK12LUU	90	LMH12LUU	110	12	0-10	21	0-16	57	± 300	42	32	6	32	4.5	7.5	4.1	27	83	160
SMF13GLUU	LMF13LUU	130	LMK13LUU	108	LMH13LUU	130	13	0-10	23	0-16	61	± 300	43	34	6	33	4.5	7.5	4.1	29	83	160
SMF16GLUU	LMF16LUU	190	LMK16LUU	165	LMH16LUU	187	16	0-10	28	0-16	70	± 300	48	37	6	38	4.5	7.5	4.1	34	125	240
SMF20GLUU	LMF20LUU	260	LMK20LUU	225	LMH20LUU	260	20	0-12	32	0-19	80	± 300	54	42	8	43	5.5	9	5.1	38	143	279
SMF25GLUU	LMF25LUU	540	LMK25LUU	500	LMH25LUU	515	25	0-12	40	0-19	112	± 300	62	50	8	51	5.5	9	5.1	46	159	320
SMF30GLUU	LMF30LUU	680	LMK30LUU	590	LMH30LUU	655	30	0-12	45	0-19	123	± 300	74	58	10	60	6.6	11	6.1	51	254	560
SMF35GLUU	LMF35LUU	1020	LMK35LUU	930			35	0-15	52	0-22	135	± 300	82	64	10	67	6.6	11	6.1		270	640
SMF40GLUU	LMF40LUU	1570	LMK40LUU	1380			40	0-15	60	0-22	151	± 300	96	75	13	78	9	14	8.1		350	820
SMF50GLUU	LMF50LUU	3600	LMK50LUU	3400			50	0-15	80	0-22	192	± 300	116	92	13	98	9	14	8.1		620	1622
SMF60GLUU	LMF60LUU	4500	LMK60LUU	4060			60	0-20	90	0-25	209	± 300	134	106	18	112	11	17	11.1		770	2040

Flange long type Europe Metric -LMEF...L, LMEK...L (KBF...L,KBK...L)

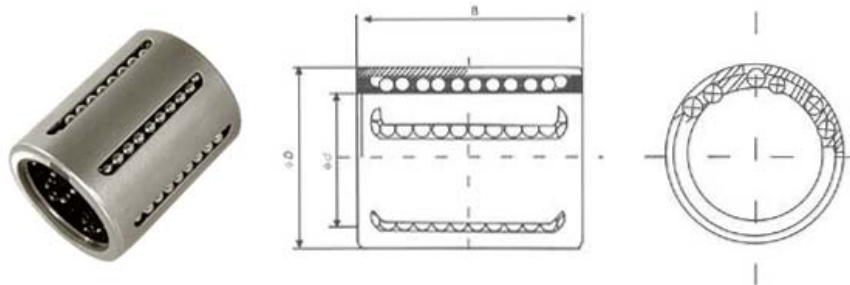
Bearing No.		Main Dimension					Flange Dimension							Load rating		Ball	Mass		
Round flange		dr	Tolerance	D	Tolerance	L	Df	K	t	PCD	X	Y	Z	W	(kgf)		rows		
		mm	(μm)	mm	(μm)	mm									C	Co		(g)	
KBF8GWUU	LMEF8LUU	LMEK8LUU	8	+9-1	16	0-9	45	32	25	5	24	3.4	6.5	3.3	15	44	80	4	53
KBF12GWUU	LMEF12LUU	LMEK12LUU	12	+9-1	22	0-11	57	42	32	6	32	4.5	8	4.4	15	66	122	4	100
KBF16GWUU	LMEF16LUU	LMEK16LUU	16	+11-1	26	0-11	70	46	35	6	36	4.5	8	4.4	15	125	240	5	187
KBF20GWUU	LMEF20LUU	LMEK20LUU	20	+11-1	32	0-13	80	54	42	8	43	5.5	9.5	5.4	17	143	281	5	260
KBF25GWUU	LMEF25LUU	LMEK25LUU	25	+13-2	40	0-13	112	62	50	8	51	5.5	9.5	5.4	17	159	320	6	515
KBF30GWUU	LMEF30LUU	LMEK30LUU	30	+13-2	47	0-13	123	76	60	10	62	6.6	11	6.5	17	254	560	6	655
KBF40GWUU	LMEF40LUU	LMEK40LUU	40	+16-4	62	0-15	154	98	75	13	80	9	14	8.6	20	350	820	6	1560
KBF50GWUU	LMEF50LUU	LMEK50LUU	50	+16-4	75	0-15	192	112	88	13	94	9	14	8.6	20	620	1622	6	3500
KBF60GWUU	LMEF60LUU	LMEK60LUU	60	+16-4	90	0-20	211	134	106	18	112	11	17.5	10.8	25	780	2040	6	4500

Middle flange long type -LMFM...LMKM...LMHM (SMFC...SMKC...SMHC)



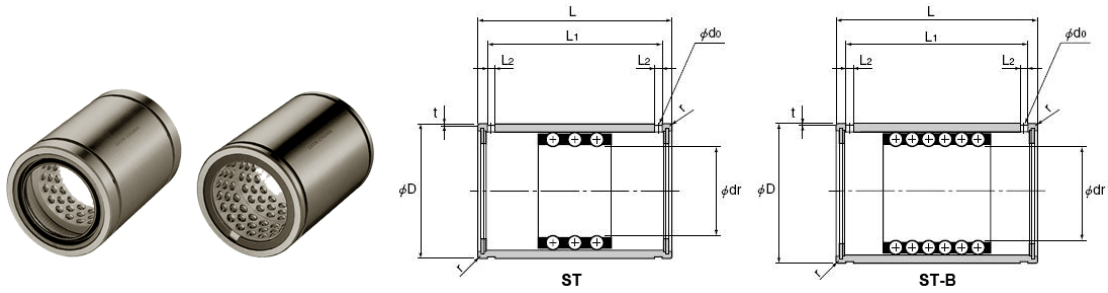
Bearing No.		Main Dimension						Flange Dimension										eccentricity		Load rating					
Round flange	Mass	square	Mass	side cut	Mass	dr	Tolerance	D	Tolerance	L	Tolerance	W	ℓ	Df	K	H	PCD	d1	d2	h1	μm	μm	CN	CoN	
SMFC6G	LMFM6	31	LMKM6	25	LMHM6	28	6	0-10	12	0-13	35	±300	18	15	28	22	5	20	3.5	6	3.1	15	15	33	54
SMFC8G	LMFM8	51	LMKM8	43	LMHM8	47	8	0-10	15	0-13	45	±300	21	20	32	25	5	24	3.5	6	3.1	15	15	44	80
SMFC10G	LMFM10	98	LMKM10	78	LMHM10	90	10	0-10	19	0-16	55	±300	25	24.5	40	30	6	29	4.5	7.5	4.1	15	15	60	112
SMFC12G	LMFM12	110	LMKM12	90	LMHM12	102	12	0-10	21	0-16	57	±300	27	25.5	42	32	6	32	4.5	7.5	4.1	15	15	83	160
SMFC13G	LMFM13	130	LMKM13	108	LMHM13	123	13	0-10	23	0-16	61	±300	29	27.5	43	34	6	33	4.5	7.5	4.1	15	15	83	160
SMFC16G	LMFM16	190	LMKM16	165	LMHM16	182	16	0-10	28	0-16	70	±300	34	32	48	37	6	38	4.5	7.5	4.1	15	15	125	240
SMFC20G	LMFM20	260	LMKM20	225	LMHM20	247	20	0-12	32	0-19	80	±300	38	36	54	42	8	43	5.5	9	5.1	20	20	143	279
SMFC25G	LMFM25	540	LMKM25	500	LMHM25	525	25	0-12	40	0-19	112	±300	46	52	62	50	8	51	5.5	9	5.1	20	20	159	320
SMFC30G	LMFM30	680	LMKM30	590	LMHM30	645	30	0-12	45	0-19	123	±300	51	56.5	74	58	10	60	6.6	11	6.1	20	20	254	560
SMFC35G	LMFM35	1020	LMKM35	930			35	0-15	52	0-22	135	±300		62.5	82	64	10	67	6.6	11	6.1	25	25	270	640
SMFC40G	LMFM40	1570	LMKM40	1380			40	0-15	60	0-22	151	±300		69	96	75	13	78	9	14	8.1	25	25	350	820
SMFC50G	LMFM50	3600	LMKM50	3400			50	0-15	80	0-22	192	±300		89.5	116	92	13	98	9	14	8.1	25	25	620	1622
SMFC60G	LMFM60	4500	LMKM60	4060			60	0-20	90	0-25	209	±300		96.5	134	106	18	112	11	17	11.1	30	30	770	2040

Linear motion bearings (Compact range)- Miniature KH



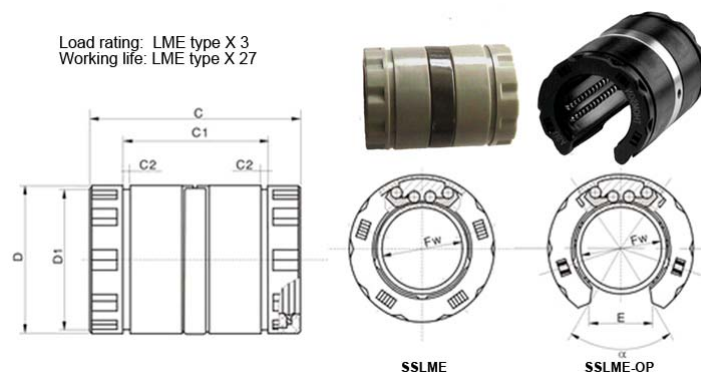
Bearing No.		Ball rows	Dimension (mm)			Load rating (N)		Mass
standard	Seals type		D	L	B	Cr	Cor	(g)
KH0622	KH0622-PP	4	6	12	22	400	239	7
KH0824	KH0824-PP	4	8	15	24	435	280	12
KH1026	KH1026-PP	4	10	17	26	500	370	14.5
KH1228	KH1228-PP	5	12	19	28	620	510	18.5
KH1428	KH1428-PP	5	14	21	28	620	520	20.5
KH1630	KH1630-PP	5	16	24	30	800	620	27.5
KH2030	KH2030-PP	6	20	28	30	950	790	32.5
KH2540	KH2540-PP	6	25	35	40	1990	1670	65
KH3050	KH3050-PP	7	30	40	50	2800	2700	95
KH4060	KH4060-PP	8	40	52	0	4400	4450	182
KH5070	KH5070-PP	9	50	62	70	5500	6300	252

Stroke bush-ST...ST-B



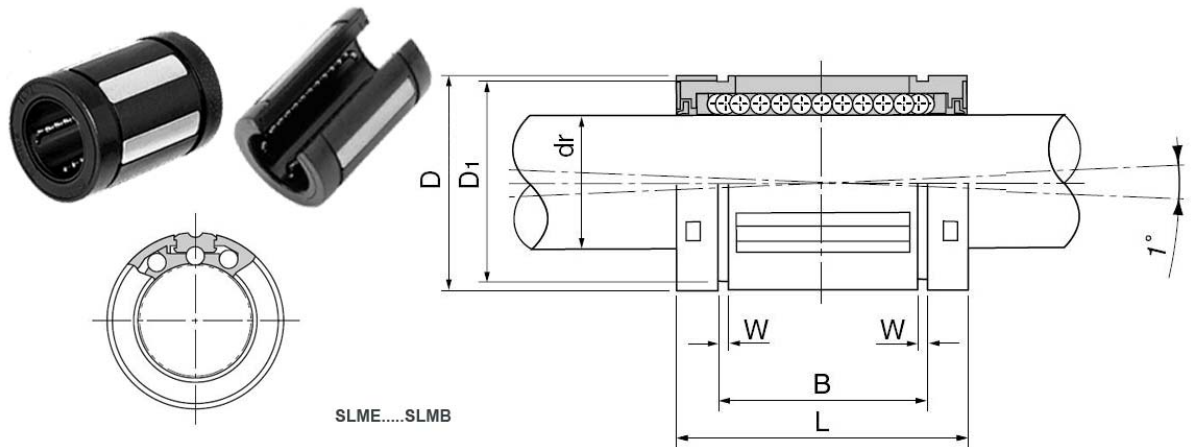
Bearing No.		Max Stroke	Load rating		Bearing No.		Max Stroke	Load rating		Dimension										
Light	Mass		(kgf)		Medium	Mass		(kgf)		dr	Tolerance	D	Tolerance	L	Tolerance	L1	T	t	d0	r
	(g)	mm	C	Co		(g)	mm	C	Co	mm	um	mm	um	mm	um	mm	mm	mm	mm	mm
ST6	8	14	23	100	-	-	-	-	-	6	+18+10	12	0-8	19	0-200	11.3	1.1	0.25	-	0.3
ST8	16.4	24	28	100	ST8B	17.5	8	56	210	8	+22+13	15	0-8	24	0-200	17.1	1.5	0.5	1.5	0.5
ST10	31.5	30	63	240	ST10B	34.5	8	130	470	10	+22+13	19	0-9	30	0-200	22.7	1.5	0.5	1.5	0.5
ST12	47	32	110	410	ST12B	53.5	8	230	830	12	+27+16	23	0-9	32	0-200	24.5	1.5	0.5	1.5	0.5
ST16	77	40	130	410	ST16B	85	16	270	820	16	+27+16	28	0-9	37	0-200	29.1	1.5	0.5	1.5	0.5
ST20	109	54	160	420	ST20B	120	28	330	850	20	+33+20	32	0-11	45	0-200	35.8	2	0.5	2	0.5
ST25	128	54	180	420	ST25B	142	28	370	830	25	+33+20	37	0-11	45	0-300	35.8	2	0.5	2	0.5
ST30	240	82	420	950	ST30B	275	44	830	1910	30	+33+20	45	0-11	65	0-300	53.5	2.5	0.5	2.5	1
ST35	370	92	460	960	ST35B	410	54	920	1910	35	+41+25	52	0-13	70	0-300	58.5	2.5	0.7	2.5	1
ST40	570	108	630	1270	ST40B	635	66	1260	2550	40	+41+25	60	0-13	80	0-300	68.3	2.5	0.7	2.5	1.5
ST45	625	108	690	1290	ST45B	695	66	1380	2570	45	+41+25	65	0-13	80	0-300	68.3	2.5	0.7	2.5	1.5
ST50	910	138	900	1660	ST50B	1020	88	1810	3320	50	+41+25	72	0-13	100	0-300	86.4	3	1	3	1.5
ST55	1270	138	990	1690	ST55B	1380	88	1970	3370	55	+49+30	80	0-15	100	0-300	86.4	3	1	3	1.5
ST60	1360	138	1070	1710	ST60B	1480	88	2140	3430	60	+49+30	85	0-15	100	0-300	86.4	3	1	3	2
ST70	1530	138	1190	1720	ST70B	1670	88	2380	3450	70	+49+30	95	0-15	100	0-400	86.4	3	1	3	2
ST80	2220	132	1560	2170	ST80B	2430	76	3120	4340	80	+49+30	110	0-15	100	0-400	86	3	1.5	3	2
ST90	2440	132	1720	2210	ST90B	2670	76	3440	4420	90	+58+36	120	0-15	100	0-400	86	3	1.5	3	2
ST100	2670	132	1870	2240	ST100B	2910	76	3750	4480	100	+58+36	130	0-18	100	0-400	86	3	1.5	3	2

Super smart slide bush-SSLME



Bearing No.		Dimension													Load rating		Mass			
Standard	Open	dr	Tolerance	D	Tolerance	L	Tolerance	B	Tolerance	W	D1	h	h1	theta	(kgf)		(g)			
Ball rows	Ball rows	mm	(um)	mm	(um)	mm	(um)	mm	(um)	mm	mm	mm	mm	(um)	C	Co				
SSLME12UU	4	SSLME12UU OP	3	12	+8-0	22	0-9	32	0-200	22.9	0-200	1.3	21	1.5	7.5	78°	12	180	153	45
SSLME16UU	4	SSLME16UU OP	3	16	+9-0	26	0-9	36	0-200	24.9	0-200	1.3	24.9	1.5	10	78°	12	147	234	69
SSLME20UU	5	SSLME20UU OP	4	20	+9-0	32	0-11	45	0-200	31.5	0-200	1.6	30.3	2	10	60°	15	198	675	100
SSLME25UU	6	SSLME25UU OP	5	25	+11-1	40	0-11	58	0-300	44.1	0-300	1.85	37.5	2	12.5	50°	15	315	555	200
SSLME30UU	6	SSLME30UU OP	5	30	+11-2	47	0-11	68	0-300	52.1	0-300	1.85	44.5	2	12.5	50°	15	450	840	260
SSLME40UU	6	SSLME40UU OP	5	40	+13-2	62	0-13	80	0-300	60.6	0-300	2.15	59	2	16.8	50°	17	705	1350	800

Super slide bush-LMES-UU-OP

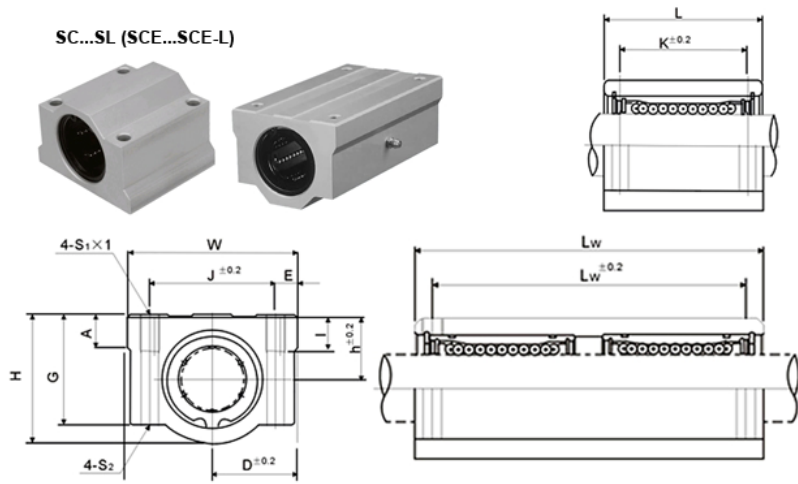


Bearing No.								Main Dimension (mm)						Load rating	
standard	seals	Ball rows	Mass	standard	seals	Ball rows	Mass	dr	Tolerance	D	L	B	W	(kgf)	
			(g)				(g)	mm	μm	± 0.2	± 0.2	mm	mm	C	Co
LMES 10	LMES 10UU	5	17					10	+8+0	19	29	21.7	1.35	77	56
LMES 12	LMES 12UU	5	23	LMES 12OP	LMES 12UUOP	4	18	12	+8+0	22	32	22.7	1.35	125	112
LMES 16	LMES 16UU	5	28	LMES 16OP	LMES 16UUOP	4	22	16	+9+1	26	36	24.7	1.35	158	128
LMES 20	LMES 20UU	6	61	LMES 20OP	LMES 20UUOP	5	51	20	+9+1	32	45	31.3	1.65	263	170
LMES 25	LMES 25UU	6	122	LMES 25OP	LMES 25UUOP	5	102	25	+11+1	40	58	43.8	1.9	388	281
LMES 30	LMES 30UU	6	185	LMES 30OP	LMES 30UUOP	5	155	30	+11+1	47	68	51.8	1.9	480	286
LMES 40	LMES 40UU	6	360	LMES 40OP	LMES 40UUOP	5	300	40	+13+2	62	80	60.4	2.2	663	583
LMES 50	LMES 50UU	6	580	LMES 50OP	LMES 50UUOP	5	480	50	+13+2	75	100	77.4	2.7	1169	810

Super slide bush-LMBS-UU-OP

Bearing No.								Main Dimension (mm)						Load rating	
standard	seals	Ball rows	Mass	standard	seals	Ball rows	Mass	dr	Tolerance	D	L	B	W	(lbf)	
			(g)				(g)	inch	μm					C	Co
LMBS 4	LMBS 4UU	4	0.01					0.25	0-5	0.5	0.750/0.735	0.511/0.501	0.039	57	49
LMBS 6	LMBS 6UU	4	0.02					0.375	0-5	0.625	0.875/0.860	0.699/0.689	0.039	78	66
LMBS 8	LMBS 8UU	4	0.05	LMBS 8OP	LMBS 8UUOP	3	0.03	0.5	0-5	0.875	1.250/1.230	1.032/1.012	0.05	190	190
LMBS 10	LMBS 10UU	5	0.08	LMBS 10OP	LMBS 10UUOP	4	0.06	0.625	0-5	1.125	1.500/1.480	1.105/1.095	0.056	290	340
LMBS 12	LMBS 12UU	6	0.14	LMBS 12OP	LMBS 12UUOP	5	0.11	0.75	0-5	1.25	1.625/1.605	1.270/1.250	0.056	500	430
LMBS 16	LMBS 16UU	6	0.29	LMBS 16OP	LMBS 16UUOP	5	0.21	1	0-5	1.5625	2.250/2.230	1.884/1.864	0.07	820	780
LMBS 20	LMBS 20UU	6	0.4	LMBS 20OP	LMBS 20UUOP	5	0.35	1.25	0-6	2	2.625/2.600	2.004/1.984	0.068	1240	1270
LMBS 24	LMBS 24UU	6	0.8	LMBS 24OP	LMBS 24UUOP	5	0.67	1.5	0-6	2.375	3.000/2.970	2.410/2.390	0.086	1510	1540
LMBS 32	LMBS 32UU	6	1.38	LMBS 32OP	LMBS 32UUOP	5	1.1	2	0-6	3	4.000/3.960	3.193/3.163	0.105	2230	2580

Slide case unit -SC...SC-L (SMA...SMA-W)

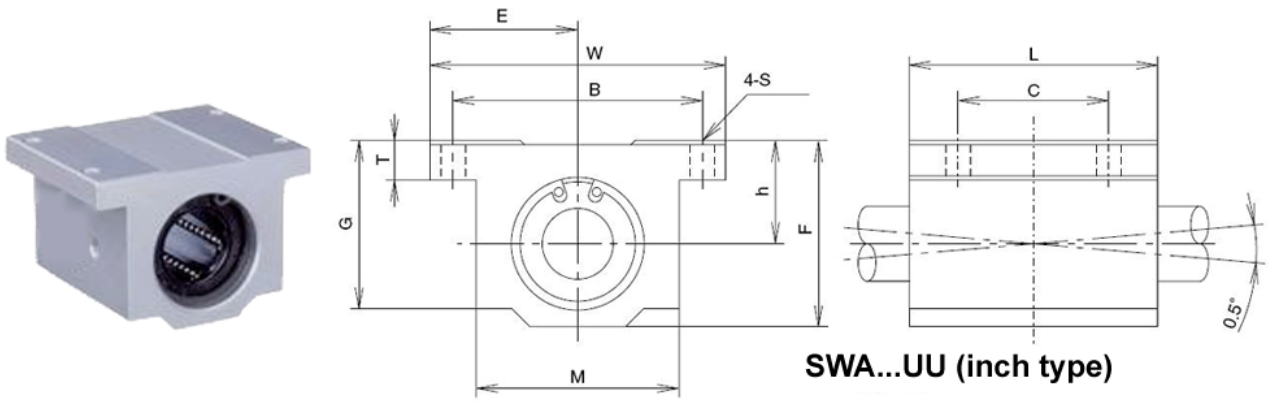


Part No.		Load rating		Mass	Part No.		Load rating		Mass	Main Dimension (mm)																
	NB	Bearing	C(N)	Co (N)	(g)		NB	Bearing	C(N)	Co(N)	(g)	d	h	D	W	H	G	A	J	E	S1xI	S1	K	L	Kw	Lw
SC8 UU	SMA8 GUU	LM8UU	260	400	56	SC8 LUU	SMA8 GWUU	2xLM8UU	410	800	94	Ø 8	11	17	34	22	18	6	24	5	M4x8	Φ3.4	18	30	42	58
SC10 UU	SMA10 GUU	LM10UU	370	540	90	SC10 LUU	SMA10 GWUU	2xLM10UU	590	1080	147	Ø10	13	20	40	26	21	8	28	6	M5x12	Φ4.3	21	35	46	68
SC12 UU	SMA12 GUU	LM12UU	410	590	112	SC12 LUU	SMA12 GWUU	2xLM12UU	650	1180	220	Ø12	15	21	42	28	24	7.4	30.5	5.75	M5x12	Φ4.3	26	36	50	70
SC13 UU	SMA13 GUU	LM13UU	500	770	123	SC13 LUU	SMA13 GWUU	2xLM13UU	800	1540	245	Ø13	15	22	44	30	24.5	8	33	5.5	M5x12	Φ4.3	26	39	50	75
SC16 UU	SMA16 GUU	LM16UU	770	1170	189	SC16 LUU	SMA16 GWUU	2xLM16UU	1230	2340	376	Ø16	19	25	50	38.5	32.5	9	36	7	M5x12	Φ4.3	34	44	60	85
SC20 UU	SMA20 GUU	LM20UU	860	1370	237	SC20 LUU	SMA20 GWUU	2xLM20UU	1370	2740	476	Ø20	21	27	54	41	35	11	40	7	M6x12	Φ5.2	40	50	70	96
SC25 UU	SMA25 GUU	LM25UU	980	1560	555	SC25 LUU	SMA25 GWUU	2xLM25UU	1560	3120	1115	Ø25	26	38	76	51.5	41	12	54	11	M8x18	Φ6.8	50	67	100	130
SC30 UU	SMA30 GUU	LM30UU	1560	2740	685	SC30 LUU	SMA30 GWUU	2xLM30UU	2490	5480	1375	Ø30	30	39	78	59.5	49	15	58	10	M8x18	Φ6.8	58	72	110	140
SC35 UU	SMA35 GUU	LM35UU	1660	3130	1100	SC35 LUU	SMA35 GWUU	2xLM35UU	2650	6260	2200	Ø35	34	45	90	68	54	18	70	10	M8x18	Φ6.8	60	80	420	155
SC40 UU	SMA40 GUU	LM40UU	2150	4010	1600	SC40 LUU	SMA40 GWUU	2xLM40UU	3440	8020	3200	Ø40	40	51	102	78	62	20	80	11	M10x25	Φ8.6	60	90	140	175
SC50 UU	SMA50 GUU	LM50UU	3820	7930	3350	SC50 LUU	SMA50 GWUU	2xLM50UU	6110	15860	6720	Ø50	52	61	122	102	80	24	100	11	M10x25	Φ8.6	80	110	160	215

Slide case unit Europe Metric -SCE...SCE-L

Part No.		Load rating		Mass	Part No.		Load rating		Mass	Main Dimension (mm)														
	Bearing	C(N)	Co (N)	(g)		Bearing	C(N)	Co(N)	(g)	d	h	D	W	H	G	A	J	E	S1xI	S1	K	L	Kw	Lw
SCE8 UU	LME8UU	260	400	60	SCE8 LUU	2xLME8UU	410	800	98	Ø 8	11	17	34	22	18	6	24	5	M4x8	Φ3.4	18	30	42	58
SCE12 UU	LME2UU	410	590	118	SCE12 LUU	2xLME2UU	650	1180	232	Ø12	15	22	44	30	24.5	8	33	5.5	M5x10	Φ4.3	26	39	64	77
SCE16 UU	LME16UU	770	1170	180	SCE16 LUU	2xLME16UU	1230	2340	360	Ø16	19	25	50	38.5	32.5	9	36	7	M5x12	Φ4.3	34	44	79	89
SCE20 UU	LME20UU	860	1370	245	SCE20 LUU	2xLME20UU	1370	2740	490	Ø20	21	27	54	41	35	11	40	7	M6x12	Φ5.2	40	53	90	106
SCE25 UU	LME25UU	980	1560	550	SCE25 LUU	2xLME25UU	1560	3120	1100	Ø25	26	38	76	51.5	41	12	54	11	M8x18	Φ6.8	50	67	119	136
SCE30 UU	LME30UU	1560	2740	760	SCE30 LUU	2xLME30UU	2490	5480	1525	Ø30	30	39	78	59.5	49	15	58	10	M8x18	Φ6.8	58	76	132	154
SCE40 UU	LME40UU	2150	4010	1700	SCE40 LUU	2xLME40UU	3440	8020	3400	Ø40	40	51	102	78	62	20	80	11	M10x25	Φ8.6	60	90	150	180
SCE50 UU	LME50UU	3820	7930	2950	SCE50 LUU	2xLME50UU	6110	15860	5920	Ø50	52	61	122	102	80	24	100	11	M10x25	Φ8.6	80	110	200	230

Slide case unit Inch type –SWA...UU



Part No.	Outer Dimension (inch /mm)									Mounting Dimension (inch /mm)				Load (N)		Mass
	d	Tolerance	h	E	W	L	F	T	G	M	B	C	S	C	Co	g
SWA 4GUU	.2500 /6.350	0-0004 /0-9	.437 /11.100	.8125 /20.638	1.625 /41.28	1.188 /30.16	.813 /20.64	.188 /4.76	.750 /19.05	1.000 /25.40	1.312 /33.33	.750 /19.05	.156 /4.0	206	265	45
SWA 6GUU	.3750 /9.525	0-0004 /0-9	.500 /12.700	.8750 /22.225	1.750 /44.45	1.313 /33.34	.938 /23.82	.188 /4.76	.875 /22.23	1.125 /28.58	1.437 /36.50	.875 /22.23	.156 /4.0	225	314	62
SWA 8GUU	.5000 /12.700	0-0004 /0-9	.687 /17.450	1.000 /25.400	2.000 /50.80	1.688 /42.86	1.250 /31.75	.250 /6.35	1.125 /28.58	1.375 /34.93	1.688 /42.88	1.000 /25.40	.156 /4.0	510	784	130
SWA 10GUU	.6250 /15.875	0-0004 /0-9	.875 /22.225	1.250 /31.750	2.500 /63.50	1.938 /49.21	1.625 /41.28	.281 /7.14	1.437 /36.50	1.750 /44.45	2.125 /53.98	1.125 /28.58	.188 /4.8	774	1180	240
SWA 12GUU	.7500 /19.050	0-0004 /0-10	.937 /23.800	1.375 /34.925	2.750 /69.85	2.063 /52.39	1.750 /44.45	.313 /7.94	1.563 /39.69	1.875 /47.63	2.375 /60.33	1.250 /31.75	.188 /4.8	862	1370	290
SWA 16GUU	1.0000 /25.400	0-0004 /0-10	1.187 /30.15	1.625 /41.275	3.250 /82.55	2.813 /71.44	2.188 /55.56	.375 /9.53	1.938 /49.21	2.375 /60.33	2.875 /73.03	1.750 /44.45	.219 /5.6	980	1570	615
SWA 20GUU	1.2500 /31.750	0-0005 /0-12	1.500 /38.100	2.000 /50.800	4.000 /101.60	3.625 /92.08	2.813 /71.44	.438 /11.11	2.500 /63.50	3.000 /76.20	3.500 /88.90	2.000 /50.80	.219 /5.6	1570	2740	1300
SWA 24GUU	1.5000 /38.100	0-0005 /0-12	1.750 /44.450	2.375 /60.325	4.750 /120.65	4.000 /101.60	3.250 /82.55	.500 /12.70	2.875 /73.03	3.500 /88.90	4.125 /104.78	2.500 /63.50	.281 /7.2	2160	4020	1900
SWA 32GUU	2.0000 /50.800	0-0005 /0-12	2.125 /53.975	3.000 /76.200	6.000 /152.40	5.000 /127.00	4.063 /103.19	.625 /15.88	3.625 /92.08	4.500 /114.3	5.250 /133.35	3.25 /82.55	.406 /10.5	3820	7940	3600

Slide Bush Interchange table													
SLIDE BUSH (METRIC DIMENSION) –LM(SM)							SLIDE BUSH (EURO METRIC DIMENSION) -LME(KB)						
NB	THK	IKO	NSK	ASK	OZAK	TSK	NB	SKF	INA	THOMSON	STAR	THK	IKO
SM3	LM3A						KB5				0600-305-00	LME5A	
SM3G	LM3	LMS3	LB3Y		L3		KB5G	LBAR5				LME5	LBE5
SM4	LM4A						KB5UU				0602-305-10	LME5AUU	
SM4G	LM4	LMS4	LB4Y		L4		KB5GUU	LBAR52LS				LME5UU	LBE5UU
SM5	LM5A						KB8				0600-308-00	LME8A	LME81625
SM5G	LM5	LMS5	LB5Y		L5		KB8G	LBAR8		MAM08		LME8	LBE8
SM5UU	LM5AUU						KB8UU				0602-308-10	LME8AUU	LME81625UU
SM5GUU	LM5UU						KB8GUU	LBAR82LS		MAM08WWW		LME8UU	LBE8UU
SM6	LM6A	LM61219		N-6			KB12				0600-012-00	LME12A	LME122232
SM6G	LM6	LBD6	LB6NY		L6	TB-6	KB12G	LBAR12		MAM12		LME12	LBE12
SM6UU	LM6AUU	LM61219UU		N-6UU			KB12UU				0602-012-10	LME12AUU	LME122232UU
SM6GUU	LM6UU	LBD6UU	LB6NYDD		L6-UU	TB-6UU	KB12GUU	LBAR122LS		MAM12WWW		LME12UU	LBE12UU
SM8s	LM8SA	LM81517					KB16				0600-016-00	LME16A	LME162636
SM8sG	LM8S	LBD8S	LB8ANY		L8A		KB16G	LBAR16	KB1636	MAM16		LME16	LBE16
SM8sUU	LM8SAUU	LM81517UU					KB16UU				0602-016-10	LME16AUU	LME162636UU
SM8sGUU	LM8SUU	LBD8SUU	LB8ANYDD		L8A-UU		KB16GUU	LBAR162LS	KB1636PP	MAM16WWW		LME16UU	LBE16UU
SM8	LM8A	LM81524		N-8			KB20				0600-020-00	LME20A	LME203245
SM8G	LM8	LBD8	LB8NY	N-8V	L8B	TB-8	KB20G	LBAR20	KB2045	MAM20		LME20	LBE20
SM8UU	LM8AUU	LM81524UU		N-8UU			KB20UU				0602-020-10	LME20AUU	LME203245UU
SM8GUU	LM8UU	LBD8UU	LB8NYDD	N-8VUU	L8B-UU	TB-8UU	KB20GUU	LBAR202LS	KB2045PP	MAM20WWW		LME20UU	LBE20UU
SM10	LM10A	LM101929		N-10			KB25				0600-025-00	LME25A	LME254058
SM10G	LM10	LBD10	LB10NY	N-10V	L10	TB-10	KB25G	LBAR25	KB2558	MAM25		LME25	LBE25
SM10UU	LM10AUU	LM101929UU		N-10UU			KB25UU				0602-025-10	LME25AUU	LME254058UU
SM10GUU	LM10UU	LBD10UU	LB10NYDD	N-10VUU	L10-UU	TB-10UU	KB25GUU	LBAR252LS	KB2558PP	MAM25WWW		LME25UU	LBE25UU
SM12	LM12A	LM122130		N-12			KB30				0600-030-00	LME30A	LME304768
SM12G	LM12	LBD12	LB12NY	N-12V	L12	TB-12	KB30G	LBAR30	KB3068	MAM30		LME30	LBE30
SM12UU	LM12AUU	LM122130UU		N-12UU			KB30UU				0602-030-10	LME30AUU	LME304768UU
SM12GUU	LM12UU	LBD12UU	LB12NYDD	N-12VUU	L12-UU	TB-12UU	KB30GUU	LBAR302LS	KB3068PP	MAM30WWW		LME30UU	LBE30UU
SM13	LM13A	LM132332		N-13			KB40				0600-040-00	LME40A	LME406280
SM13G	LM13	LBD13	LB13NY	N-13V	L13	TB-13	KB40G	LBAR40	KB4080	MAM40		LME40	LBE40
SM13UU	LM13AUU	LM132332UU		N-13UU			KB40UU				0602-040-10	LME40AUU	LME406280UU
SM13GUU	LM13UU	LBD13UU	LB13NYDD	N-13VUU	L13-UU	TB-13UU	KB40GUU	LBAR402LS	KB4080PP	MAM40WWW		LME40UU	LBE40UU
SM16	LM16A	LM162837		N-16			KB50				0600-050-00	LME50A	LME5075100
SM16G	LM16	LBD16	LB16NY	N-16V	L16	TB-16	KB50G	LBAR50	KB50100			LME50	LBE50
SM16UU	LM16AUU	LM162837UU		N-16UU			KB50UU				0602-050-10	LME50AUU	LME5075100UU
SM16GUU	LM16UU	LBD16UU	LB16NYDD	N-16VUU	L16-UU	TB-16UU	KB50GUU	LBAR502LS	KB50100PP			LME50UU	LBE50UU
SM20	LM20A	LM203242		N-20			KB60				0600-060-00	LME60A	LME6090125
SM20G	LM20	LBD20	LB20NY	N-20V	L20	TB-20	KB60G	LBAR60				LME60	LME6090125N
SM20UU	LM20AUU	LM203242UU		N-20UU			KB60UU				0602-060-10	LME60AUU	LME6090125UU
SM20GUU	LM20UU	LBD20UU	LB20NYDD	N-20VUU	L20-UU	TB-20UU	KB60GUU	LBAR602LS				LME60UU	LME6090125UU
SM25	LM25A	LM254059		N-25B			KB80				0600-080-00	LME80A	LME80120165
SM25G	LM25	LBD25	LB25NY	N-25BV	L25B	TB-25	KB80UU				0602-080-10	LME80AUU	LME80120165UU
SM25UU	LM25AUU	LM254059UU		N-25BUU									
SM25GUU	LM25UU	LBD25UU	LB25NYDD	N-25BVUU	L25B-UU	TB-25UU							
SLIDE BUSH (INCH DIMENSION) -LMB(SW)													
SM30	LM30A	LM304564		N-30			NB	THOMSON	STAR	NOOK	INA	THK	IKO
SM30G	LM30	LBD30	LB30NY	N-30V	L30A	TB-30	SW4	A-4812	0750-004-15			LMB4A	LMB4812
SM30UU	LM30AUU	LM304564UU		N-30UU			SW4G		0750-004-00	LBB-250	KBZ-04	LMB4	LBB4
SM30GUU	LM30UU	LBD30UU	LB30NYDD	N-30VUU	L30A-UU	TB-30UU	SW4UU		0750-204-15				
SM35	LM35A	LM355270		N-35			SW4GUU		0750-204-00	LBB-250PP	KBZ-04PP		LBB4UU
SM35G	LM35	LBD35	LB35NY	N-35V	L35	TB-35	SW6	A-61014	0750-006-15			LMB6A	LMB61014
SM35UU	LM35AUU	LM355270UU		N-35UU			SW6G		0750-006-00	LBB-375	KBZ-06	LMB6	LBB6

SM35GUU	LM35UU	LBD35UU	LB35NYDD	N-35VUU	L35-UU	TB-35UU	SW6UU		0750-206-15				
SM40	LM40A	LM406080		N-40			SW6GUU		0750-206-00	LBB-375PP	KBZ-06PP		LBB6UU
SM40G	LM40	LBD40	LB40NY	N-40V	L40	TB-40	SW8	A-81420	0750-008-15			LMB8A	LMB81420
SM40UU	LM40AUU	LM406080UU		N-40UU			SW8G		0750-008-00	LBB-500	KBZ-08	LMB8	LBB8
SM40GUU	LM40UU	LBD40UU	LB40NYDD	N-40VUU	L40-UU	TB-40UU	SW8UU	A-81420-DD	0750-208-15				
SM50	LM50A	LM5080100		N-50H			SW8GUU		0750-208-00	LBB-500PP	KBZ-08PP		LBB8UU
SM50G	LM50	LBD50	LB50NY	N-50HV	L50B	TB-50	SW10	A-101824	0750-010-15				LMB101824
SM50UU	LM50AUU	LM5080100UU		N-50HUU			SW10G		0750-010-00	LBB-625	KBZ-10	LMB10	LBB10
SM50GUU	LM50UU	LBD50UU	LB50NYDD	N-50HVUU	L50B-UU	TB-50UU	SW10UU		0750-210-15				
SM60	LM60A	LM6090110	LB60ANV	N-60			SW10GUU		0750-210-00	LBB-625PP	KBZ-10PP		LBB10UU
SM60G	LM60	LBD60		N-60V	L60		SW12	A-122026	0750-012-15			LMB12A	LMB122026
SM60UU	LM60AUU	LM6090110UU	LB60ANVDD	N-60UU			SW12G		0750-012-00	LBB-750	KBZ-12	LMB12	LBB12
SM60GUU	LM60UU	LBD60UU		N-60VUU	L60-UU		SW12UU	A-122026-DD	0750-212-15				
SM80	LM80A	LM80120140	LB80ANV	N-80			SW12GUU		0750-212-00	LBB-750PP	KBZ-12PP		LBB12UU
SM80G	LM80			N-80V	L80		SW16	A-162536	0750-016-15			LMB16A	LMB162536
SM80UU	LM80AUU	LM80120140UU	LB80ANVDD	N-80UU			SW16G		0750-016-00	LBB-1000	KBZ-16	LMB16	LBB16
SM80GUU	LM80UU			N-80VUU	L80-UU		SW16UU	A-162536-DD	0750-216-15				
							SW16GUU		0750-216-00	LBB-1000PP	KBZ-16PP		LBB16UU
SLIDE BUSH (compact range)							SW20	A-203242	0750-020-15			LMB20A	LMB203242
KBS	NTN	STAR	INA	SKF	FAG		SW20G		0750-020-00	LBB-1250	KBZ-20	LMB20	LBB20
KH. .	KH. .	0658-0. . -00	KH. .	LBBR. .	LNA. .		SW20UU		0750-220-15				
			(LBBS. .)		(LNA. .)		SW20GUU		0750-220-00	LBB-1250PP	KBZ-20PP		LBB20UU
KH. . PP	KH. . LL	0658-2. . -40	KH. . PP	LBBR. . 2LS	LNA. . 2RS		SW24	A-243848	0750-024-15			LMB24A	LMB243848
			(LBBR. . 2LS)		(LFA. . 2RS)		SW24G		0750-024-00	LBB-1500	KBZ-24		LBB24
							SW24UU		0750-224-15				
							SW24GUU		0750-224-00	LBB-1500PP	KBZ-24PP		LBB24UU
							SW32	A-324864	0750-032-15			LMB32A	LMB324864
							SW32G		0750-032-00	LBB-2000	KBZ-32		LBB32
							SW32UU		0750-232-15				
							SW32GUU		0750-232-00	LBB-2000PP	KBZ-32PP		LBB32UU
							SW40	A-406080	0750-040-15			LMB40A	LMB406080
							SW48	A-487296	0750-048-15			LMB48A	LMB487296
							SW64	A-6496128	0750-064-15			LMB64A	LMB6496128
Slide case units													
NB	THK	TSK	ASK	OZAK			NB	THK	TSK	ASK	OZAK		
SMA 6GUU	SC 6UU	TBC-6UU					SMA 6GWUU	SL 6UU	TBCW-6UU				
SMA 8GUU	SC 8UU	TBC-8UU					SMA 8GWUU	SL 8UU	TBCW-8UU				
SMA 10GUU	SC 10UU	TBC-10UU		LH10B			SMA 10GWUU	SL 10UU	TBCW-10UU			LHW10B	
SMA 12GUU	SC 12UU	TBC-12UU	LC-12VAUU	LH12B			SMA 12GWUU	SL 12UU	TBCW-12UU	LC-12VLUU		LHW12B	
SMA 13GUU	SC 13UU	TBC-13UU	LC-13VAUU	LH13B			SMA 13GWUU	SL 13UU	TBCW-13UU	LC-13VLUU		LHW13B	
SMA 16GUU	SC 16UU	TBC-16UU	LC-16VAUU	LH16B			SMA 16GWUU	SL 16UU	TBCW-16UU	LC-16VLUU		LHW16B	
SMA 20GUU	SC 20UU	TBC-20UU	LC-20VAUU	LH20B			SMA 20GWUU	SL 20UU	TBCW-20UU	LC-20VLUU		LHW20B	
SMA 25GUU	SC 25UU	TBC-25UU	LC-25VAUU	LH25B			SMA 25GWUU	SL 25UU	TBCW-25UU	LC-25VLUU		LHW25B	
SMA 30GUU	SC 30UU	TBC-30UU	LC-30VAUU	LH30B			SMA 30GWUU	SL 30UU	TBCW-30UU	LC-30VLUU		LHW30B	
SMA 35GUU	SC 35UU	TBC-35UU		LH35B			SMA 35GWUU		TBCW-35UU			LHW35B	
SMA 40GUU	SC 40UU	TBC-40UU		LH40B			SMA 40GWUU		TBCW-40UU			LHW40B	
SMA 50GUU	SC 50UU	TBC-50UU		LH50B			SMA 50GWUU		TBCW-50UU			LHW50B	
SMA 60GUU				LH60B			SMA 60GWUU					LHW60B	