

Rod ends PHS

杆端关节轴承



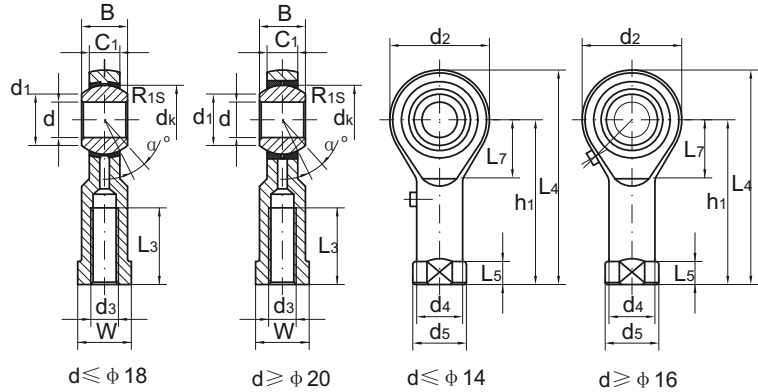
4-piece & 3-piece, maintenance required, metric dimensions

需润滑, 公制尺寸

DIN ISO 12 240-4-series K,form F

Body: carbon steel,zinc plated,chrome plated
Ball: chrome steel, heat treated,precision ground, polished
Race: brass
Sliding contact surface: steel/brass

壳体: 碳钢, 锌铬酸盐处理
 内圈: 轴承钢, 热处理硬度HRC58-62
 衬套: 黄铜
 摩擦副: 钢/黄铜



Part No. 型号	Dimensions 尺寸mm															Load ratings 负荷KN		Weight 重量Kg
	d	d ₃ 6H	B	C ₁	W	L ₃ min	d ₂	L ₄	h ₁	L ₅	d ₄	d ₅	d _k	d ₁	α ≈	dyn. 动 C _d	stat. 静 C _s	
PHS 4	4	M4×0.7	7	5.25	8	8	14	31	24	4	8	9.5	9.525	6.5	13	3.0	5.0	0.009
PHS 5	5	M5×0.8	8	6	9	10	16	35	27	4	8.5	11	11.11	7.70	13	3.25	5.70	0.016
PHS 6	6	M6×1.0	9	6.75	11	12	18	39	30	5	10	13	12.70	8.96	13	4.3	7.20	0.022
PHS 8	8	M8×1.25	12	9	14	16	22	47	36	5	12.5	16	15.875	10.4	14	7.2	11.6	0.047
PHS10	10	M10×1.5	14	10.5	17	20	26	56	43	6.5	15	19	19.05	12.9	13	10	14.5	0.077
PHS 10-1	10	M10×1.25	14	10.5	17	20	26	56	43	6.5	15	19	19.05	12.9	13	10	14.5	0.077
PHS 12	12	M12×1.75	16	12	19	22	30	65	50	6.5	17.5	22	22.225	15.4	13	13.4	17	0.10
PHS 12-1	12	M12×1.25	16	12	19	22	30	65	50	6.5	17.5	22	22.225	15.4	13	13.4	17	0.10
PHS 14	14	M14×2.0	19	13.5	22	25	34	74	57	8	20	25	25.40	16.9	16	17	24	0.16
PHS 14-1	14	M14×1.5	19	13.5	22	25	34	74	57	8	20	25	25.40	16.9	16	17	24	0.16
PHS 16	16	M16×2.0	21	15	22	28	40	84	64	8	22	27	28.575	19.4	15	21.6	28.5	0.22
PHS 16-1	16	M16×1.5	21	15	22	28	40	84	64	8	22	27	28.575	19.4	15	21.6	28.5	0.22
PHS 18	18	M18×1.5	23	16.5	27	32	44	92	71	10	25	31	31.75	21.9	15	26	42.5	0.32
PHS 20	20	M20×1.5	25	18	30	33	50	100	77	10	27.5	34	34.925	24.4	14	31.5	42.5	0.42
PHS 22	22	M22×1.5	28	20	32	37	54	109	84	12	30	38	38.10	25.8	15	38	57	0.54
PHS 25	25	M24×2.0	31	22	36	42	60	124	94	12	33.5	42	42.86	29.6	15	47.5	68	0.73
PHS 28	28	M27×2.0	35	24	41	48	66	136	103	14	37	46	47.63	32.3	15	58	75	0.98
PHS 30	30	M30×2.0	37	25	41	51	70	145	110	15	40	50	50.8	34.8	17	64	88	1.10
PHS 30-1	30	M27×2.0	37	25	41	51	70	145	110	15	40	50	50.8	34.8	17	64	88	1.10

-For left-hand thread, please add suffix"L", e.g. PHSL 8.
 -若是左旋螺纹, 轴承型号需加"L", 例如:PHSL 8.

Rod ends POS

杆端关节轴承



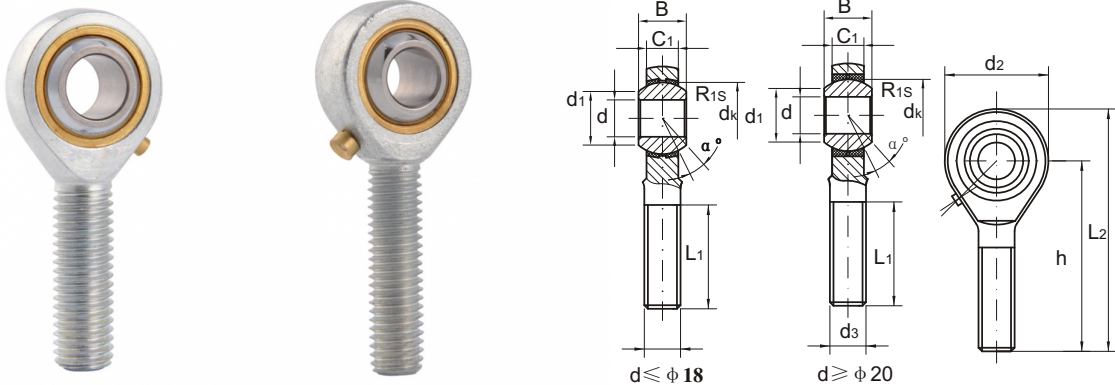
4-piece & 3-piece, maintenance required, metric dimensions

需润滑，公制尺寸

DIN ISO 12 240-4-series K, form M

Body: carbon steel, zinc plated, chrome plated
Ball: chrome steel, heat treated, precision ground, polished
Race: brass
Sliding contact surface: steel/brass

壳体：碳钢，锌铬酸盐处理
 内圈：轴承钢，热处理硬度HRC58-62
 衬套：黄铜
 摩擦副：钢/黄铜



Part No. 型号	Dimensions 尺寸mm											Load ratings 负荷KN		Weight 重量Kg	
	d	d ₃ 6 _g	B	C ₁	L ₁ min	d ₂	h	L ₂	dk	R _{1s}	d ₁	α ≈	dyn. 动 C _d		stat. 静 C _s
POS 5	5	M5×0.8	8	6	20	16	33	41	11.11	0.3	7.70	13	3.25	5.70	0.013
POS 6	6	M6×1.0	9	6.75	22	18	36	45	12.70	0.3	8.96	13	4.30	7.20	0.020
POS 8	8	M8×1.25	12	9	25	22	42	53	15.875	0.3	10.4	14	7.20	11.6	0.030
POS 10	10	M10×1.5	14	10.5	29	26	48	61	19.05	0.3	12.9	13	10	14.5	0.055
POS 12	12	M12×1.75	16	12	33	30	54	69	22.225	0.3	15.4	13	13.4	17	0.085
POS 12-1	12	M12×1.25	16	12	33	30	54	69	22.225	0.3	15.4	13	13.4	17	0.085
POS 14	14	M14×2.0	19	13.5	36	34	60	77	25.40	0.3	16.9	16	17	24	0.14
POS 16	16	M16×2.0	21	15	40	40	66	86	28.575	0.3	19.4	15	21.6	28.5	0.21
POS 16-1	16	M16×1.5	21	15	40	40	66	86	28.575	0.3	19.4	15	21.6	28.5	0.21
POS 18	18	M18×1.5	23	16.5	44	44	72	94	31.75	0.3	21.9	15	26	42.5	0.28
POS 20	20	M20×1.5	25	18	47	50	78	103	34.925	0.3	24.4	14	31.5	52.5	0.38
POS 22	22	M22×1.5	28	20	51	54	84	111	38.10	0.3	25.8	15	38	57	0.48
POS 25	25	M24×2.0	31	22	57	60	94	124	42.86	0.3	29.6	15	47.5	68	0.64
POS 28	28	M27×2.0	35	24	62	66	103	136	47.63	0.3	32.3	15	58	75.5	0.96
POS 30	30	M30×2.0	37	25	66	70	110	145	50.8	0.3	34.8	17	64	88	1.10

-For left-hand thread, please add suffix "L", e.g. POSL 8.

-若是左旋螺纹，轴承型号需加“L”，例如：POSL 8。

Stainless Rod Ends SPHS

杆端关节轴承



4-piece & 3-piece, maintenance required, metric dimensions

不锈钢，需润滑，公制尺寸

Body: 304 stainless steel

壳体：304不锈钢

Ball: 440 stainless steel, heat treated HRC56, precision ground, polished

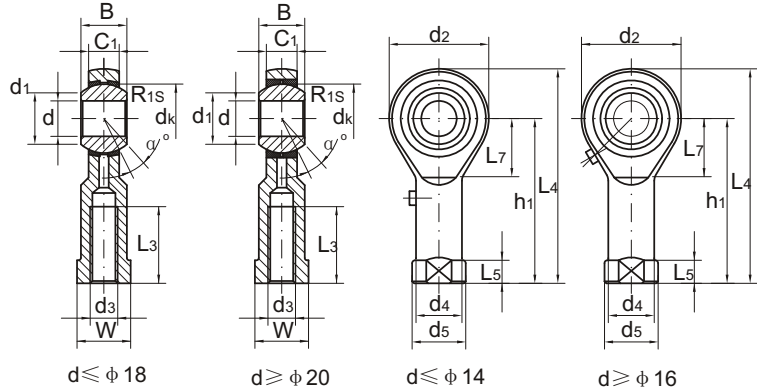
内圈：440不锈钢，热处理硬度HRC56

Race: brass

外圈：黄铜

Sliding contact surface: steel/brass

摩擦副：钢/黄铜



Part No. 型号	Dimensions 尺寸mm															Load ratings 负荷KN		Weight 重量Kg
	d	d ₃ 6H	B	C ₁	W	L ₃ min	d ₂	L ₄	h ₁	L ₅	d ₄	d ₅	d _k	d ₁	α ≈	dyn. 动 C _d	stat. 静 C _s	
SPHS 4	4	M4×0.7	7	5.25	8	8	14	31	24	4	8	9.5	9.525	6.5	13	3.0	5.0	0.009
SPHS 5	5	M5×0.8	8	6	9	10	16	35	27	4	8.5	11	11.11	7.70	13	3.25	5.70	0.016
SPHS 6	6	M6×1.0	9	6.75	11	12	18	39	30	5	10	13	12.70	8.96	13	4.3	7.20	0.022
SPHS 8	8	M8×1.25	12	9	14	16	22	47	36	5	12.5	16	15.875	10.4	14	7.2	11.6	0.047
SPHS10	10	M10×1.5	14	10.5	17	20	26	56	43	6.5	15	19	19.05	12.9	13	10	14.5	0.077
SPHS 10-1	10	M10×1.25	14	10.5	17	20	26	56	43	6.5	15	19	19.05	12.9	13	10	14.5	0.077
SPHS 12	12	M12×1.75	16	12	19	22	30	65	50	6.5	17.5	22	22.225	15.4	13	13.4	17	0.10
SPHS 12-1	12	M12×1.25	16	12	19	22	30	65	50	6.5	17.5	22	22.225	15.4	13	13.4	17	0.10
SPHS 14	14	M14×2.0	19	13.5	22	25	34	74	57	8	20	25	25.40	16.9	16	17	24	0.16
SPHS 14-1	14	M14×1.5	19	13.5	22	25	34	74	57	8	20	25	25.40	16.9	16	17	24	0.16
SPHS 16	16	M16×2.0	21	15	22	28	40	84	64	8	22	27	28.575	19.4	15	21.6	28.5	0.22
SPHS 16-1	16	M16×1.5	21	15	22	28	40	84	64	8	22	27	28.575	19.4	15	21.6	28.5	0.22
SPHS 18	18	M18×1.5	23	16.5	27	32	44	93	71	10	25	31	31.75	21.9	15	26	42.5	0.32
SPHS 20	20	M20×1.5	25	18	30	33	50	102	77	10	27.5	34	34.925	24.4	14	31.5	42.5	0.42
SPHS 22	22	M22×1.5	28	20	32	37	54	111	84	12	30	38	38.10	25.8	15	38	57	0.54
SPHS 25	25	M24×2.0	31	22	36	42	60	124	94	12	33.5	42	42.86	29.6	15	47.5	68	0.73
SPHS 28	28	M27×2.0	35	24	41	48	66	136	103	14	37	46	47.63	32.3	15	58	75	0.98
SPHS 30	30	M30×2.0	37	25	41	51	70	145	110	15	40	50	50.8	34.8	17	64	88	1.10
SPHS 30-1	30	M27×2.0	37	25	41	51	70	145	110	15	40	50	50.8	34.8	17	64	88	1.10

-For left-hand thread, please add suffix"L", e.g. SPHSL 8.

-若是左旋螺纹，轴承型号需加"L，例如：SPHSL 8。

Stainless Rod Ends SPOS

杆端关节轴承



4-piece & 3-piece, maintenance required, metric dimensions

不锈钢，需润滑，公制尺寸

Body: 304 stainless steel

壳体：304不锈钢

Ball: 440 stainless steel, heat treated HRC56, precision ground, polished

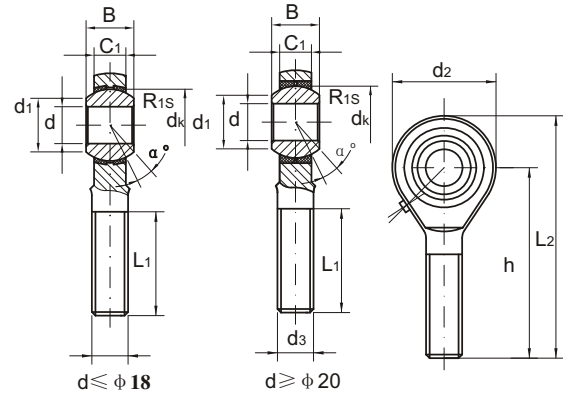
内圈：440不锈钢，热处理硬度HRC56

Race: brass

外圈：黄铜

Sliding contact surface: steel/brass

摩擦副：钢/黄铜



Part No. 型号	Dimensions 尺寸mm											Load ratings 负荷KN		Weight 重量Kg	
	d	d ₃ 6 _G	B	C ₁	L ₁ min	d ₂	h	L ₂	d _k	R _{1S}	d ₁	α ≈	dyn. 动 C _d		stat. 静 C _s
SPOS 5	5	M5×0.8	8	6	20	16	33	41	11.11	0.3	7.70	13	3.25	5.70	0.013
SPOS 6	6	M6×1.0	9	6.75	22	18	36	45	12.70	0.3	8.96	13	4.30	7.20	0.020
SPOS 8	8	M8×1.25	12	9	25	22	42	53	15.875	0.3	10.4	14	7.20	11.6	0.030
SPOS 10	10	M10×1.5	14	10.5	29	26	48	61	19.05	0.3	12.9	13	10	14.5	0.055
SPOS 12	12	M12×1.75	16	12	33	30	54	69	22.225	0.3	15.4	13	13.4	17	0.085
SPOS 12-1	12	M12×1.25	16	12	33	30	54	69	22.225	0.3	15.4	13	13.4	17	0.085
SPOS 14	14	M14×2.0	19	13.5	36	34	60	77	25.40	0.3	16.9	16	17	24	0.14
SPOS 16	16	M16×2.0	21	15	40	40	66	86	28.575	0.3	19.4	15	21.6	28.5	0.21
SPOS 16-1	16	M16×1.5	21	15	40	40	66	86	28.575	0.3	19.4	15	21.6	28.5	0.21
SPOS 18	18	M18×1.5	23	16.5	44	44	72	94	31.75	0.3	21.9	15	26	42.5	0.28
SPOS 20	20	M20×1.5	25	18	47	50	78	103	34.925	0.3	24.4	14	31.5	52.5	0.38
SPOS 22	22	M22×1.5	28	20	51	54	84	111	38.10	0.3	25.8	15	38	57	0.48
SPOS 25	25	M24×2.0	31	22	57	60	94	124	42.86	0.3	29.6	15	47.5	68	0.64
SPOS 28	28	M27×2.0	35	24	62	66	103	136	47.63	0.3	32.3	15	58	75.5	0.96
SPOS 30	30	M30×2.0	37	25	66	70	110	145	50.8	0.3	34.8	17	64	88	1.10

-For left-hand thread, please add suffix "L", e.g. SPOSL 8.

-若是左旋螺纹，轴承型号需加“L”，例如：SPOSL 8。

Rod ends PHS...EC

杆端关节轴承

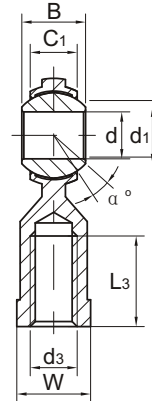
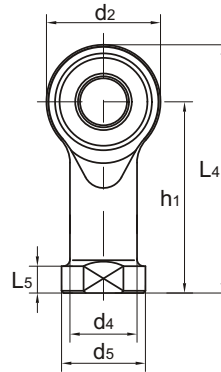


2-piece, maintenance-free, metric dimensions

免维护,公制尺寸

Body: carbon steel,zinc plated,
Ball: GCr15 steel, heat treated HRC 58-62 ,hard chrome plated,precision ground,polished
Liner : PTFE-Strong & flexible bronze mesh spread with fluorine resin
Sliding contact surface : steel/PTFE

壳体: 碳钢, 镀锌, 内衬PTFE
 内圈: 轴承钢, 热处理, 镀铬
 滑动摩擦副: 钢/PTFE



Bearing No.	Dimensions(mm)													Ball dia	a0 mis. angle	Load ratings (KN)		weight ≈Kg
	d	B	C1	d1	d2	d3-6H	h1	L3	(L4)	L5	d4	d5	w			Dyn.	Static	
	H7	$\begin{matrix} 0 \\ -0.1 \end{matrix}$	$\begin{matrix} +0.1 \\ -0.4 \end{matrix}$										$\begin{matrix} 0 \\ -0.2 \end{matrix}$					
PHS5EC	5	8	6	7.7	16	M5	27	11	35	4	9	11	9	11.11	13	3.3	6.2	0.016
PHS6EC	6	9	6.75	8.9	18	M6	30	13	39	5	10	13	11	12.7	13	4.7	7.8	0.025
PHS8EC	8	12	9	10.3	22	M8	36	16	47	5	12.5	16	14	15.87	14	7.7	13.2	0.043
PHS10EC	10	14	10.5	12.9	26	M10	43	20	56	6.5	15	19	17	19.05	13	10.4	17.3	0.072
PHS12EC	12	16	12	15.4	30	M12	50	23	65	6.5	17.5	22	19	22.22	13	13.5	22.7	0.107
PHS14EC	14	19	13.5	16.8	34	M14	57	27	74	8	20	25	22	25.4	16	17.2	28.2	0.16
PHS16EC	16	21	15	19.3	38	M16	64	32	83	8	22	27	22	28.58	15	21	35.1	0.21
PHS18EC	18	23	16.5	21.8	42	M18X1.5	71	35	92	10	25	31	27	31.75	15	25	43.2	0.295
PHS20EC	20	25	18	24.3	46	M20X1.5	77	39	100	10	27.5	34	30	34.92	14	29.8	50.3	0.38
PHS22EC	22	28	20	25.8	50	M22X1.5	84	42	109	12	30	37	32	38.1	15	36.2	63.9	0.49

Can supply rod ends with different pitch or accuracy of thread.

For left-hand thread, suffix "L" is added to bearing numbers. e.g.:PHS20ECL M20×1.5L-6H:

Rod ends POS...EC

杆端关节轴承



2-piece, maintenance-free, metric dimensions

免维护,公制尺寸

Body: carbon steel, zinc plated,

Ball: GCr15 steel, heat treated HRC 58-62, hard chrome plated, precision ground, polished

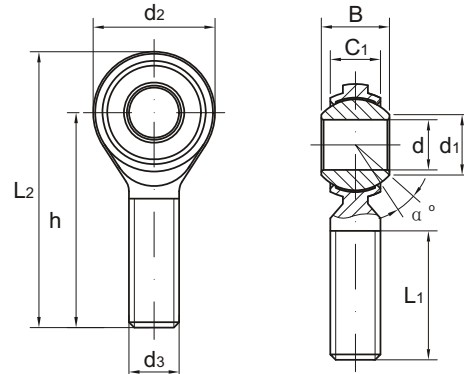
Liner: PTFE-Strong & flexible bronze mesh spread with fluorine resin

Sliding contact surface: steel/PTFE

壳体: 碳钢, 镀锌, 内衬PTFE

内圈: 轴承钢, 热处理, 镀铬

滑动摩擦副: 钢/PTFE



Bearing No.	Dimensions(mm)									Ball dia	a0 mis. angle	Load ratings (KN)		weight ≈Kg
	d	B	C1	d1	d2	d3-6g	h	L1	L2			Dynamic	Static	
	H7	$\begin{matrix} 0 \\ -0.1 \end{matrix}$	$\begin{matrix} +0.1 \\ -0.4 \end{matrix}$											
POS5EC	5	8	6	7.7	16	M5	33	20	41	11.11	13	3.3	4.8	0.012
POS6EC	6	9	6.75	8.9	18	M6	36	22	45	12.7	13	4.7	6.8	0.019
POS8EC	8	12	9	10.3	22	M8	42	25	53	15.87	14	7.7	12.3	0.032
POS10EC	10	14	10.5	12.9	26	M10	48	29	61	19.05	13	10.4	17.3	0.054
POS12EC	12	16	12	15.4	30	M12	54	33	69	22.22	13	13.5	22.7	0.085
POS14EC	14	19	13.5	16.8	34	M14	60	36	77	25.4	16	17.2	28.2	0.126
POS16EC	16	21	15	19.3	38	M16	66	40	85	28.58	15	21	35.1	0.185
POS18EC	18	23	16.5	21.8	42	M18X1.5	72	44	93	31.75	15	25	43.2	0.26
POS20EC	20	25	18	24.3	46	M20x1.5	78	47	101	34.92	14	29.8	50.3	0.34
POS22EC	22	28	20	25.8	50	M22x1.5	84	51	109	38.1	15	36.2	63.9	0.435

Can supply rod ends with different pitch or accuracy of thread.

For left-hand thread, suffix "L" is added to bearing numbers. e.g.:POS20ECL M20×1.5L-6g:

Rod ends SPHS...EC

杆端关节轴承



2-piece, maintenance-free, metric dimensions

不锈钢, 免维护, 公制尺寸

Housing: 304 stainless steel, lined PTFE

Ball: 440 stainless steel, heat treated HRC56, precision ground, polished

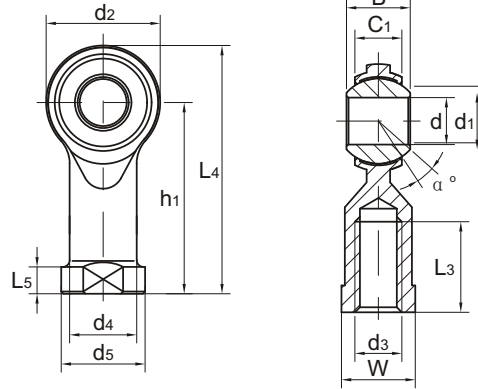
Liner: PTFE-Strong & flexible bronze mesh spread with fluorine resin

Sliding contact surface: steel/PTFE

壳体: 304不锈钢, 内衬PTFE

内圈: 440不锈钢, 热处理硬度HRC56, 精磨, 抛光

摩擦副: 钢/PTFE



Bearing No.	Dimensions(mm)													Ball dia	a0 mis. angle	Load ratings (KN)		weight ≈Kg
	d H7	B	C1	d1	d2	d3-6H	h1	L3	(L4)	L5	d4	d5	sw			Dyn.	Static	
	SPHS5EC	5	8	6	7.7	16	M5	27	11	35	4	9	11			9	11.11	
SPHS6EC	6	9	6.75	8.9	18	M6	30	13	39	5	10	13	11	12.7	13	4.7	7.8	0.025
SPHS8EC	8	12	9	10.3	22	M8	36	16	47	5	12.5	16	14	15.87	14	7.7	13.2	0.043
SPHS10EC	10	14	10.5	12.9	26	M10	43	20	56	6.5	15	19	17	19.05	13	10.4	17.3	0.072
SPHS12EC	12	16	12	15.4	30	M12	50	23	65	6.5	17.5	22	19	22.22	13	13.5	22.7	0.107
SPHS14EC	14	19	13.5	16.8	34	M14	57	27	74	8	20	25	22	25.4	16	17.2	28.2	0.16
SPHS16EC	16	21	15	19.3	38	M16	64	32	83	8	22	27	22	28.58	15	21	35.1	0.21
SPHS18EC	18	23	16.5	21.8	42	M18X1.5	71	35	92	10	25	31	27	31.75	15	25	43.2	0.295
SPHS20EC	20	25	18	24.3	46	M20X1.5	77	39	100	10	27.5	34	30	34.92	14	29.8	50.3	0.38
SPHS22EC	22	28	20	25.8	50	M22X1.5	84	42	109	12	30	37	32	38.1	15	36.2	63.9	0.49

Can supply rod ends with different pitch or accuracy of thread.

For left-hand thread, suffix "L" is added to bearing numbers. e.g.:SPHS20ECL M20×1.5L-6H:

Rod ends SSA...PK(SPOS...EC)

杆端关节轴承



2-piece, maintenance-free, metric dimensions

不锈钢, 免维护, 公制尺寸

Housing: 304 stainless steel, lined PTFE

Ball: 440 stainless steel, heat treated HRC56, precision ground, polished

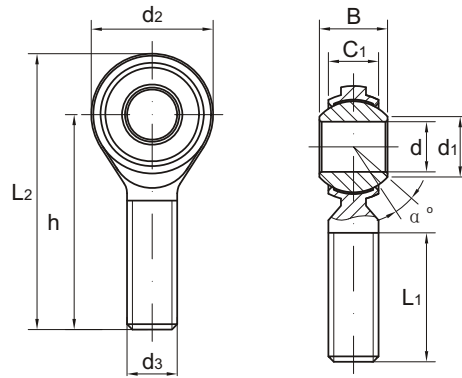
Liner: PTFE-Strong & flexible bronze mesh spread with fluorine resin

Sliding contact surface: steel/PTFE

壳体: 304不锈钢, 内衬PTFE

内圈: 440不锈钢, 热处理硬度HRC56, 精磨, 抛光

摩擦副: 钢/PTFE



Bearing No.	Dimensions(mm)									Ball dia	a0 mis. angle	Load ratings (KN)		weight ≈Kg
	d H7	B	C1	d1	d2	d3-6g	h	L1	L2			Dynamic	Static	
	SPOS5EC	5	8	6	7.7	16	M5	33	20			41	11.11	
SPOS6EC	6	9	6.75	8.9	18	M6	36	22	45	12.7	13	4.7	6.8	0.019
SPOS8EC	8	12	9	10.3	22	M8	42	25	53	15.87	14	7.7	12.3	0.032
SPOS10EC	10	14	10.5	12.9	26	M10	48	29	61	19.05	13	10.4	17.3	0.054
SPOS12EC	12	16	12	15.4	30	M12	54	33	69	22.22	13	13.5	22.7	0.085
SPOS14EC	14	19	13.5	16.8	34	M14	60	36	77	25.4	16	17.2	28.2	0.126
SPOS16EC	16	21	15	19.3	38	M16	66	40	85	28.58	15	21	35.1	0.185
SPOS18EC	18	23	16.5	21.8	42	M18X1.5	72	44	93	31.75	15	25	43.2	0.26
SPOS20EC	20	25	18	24.3	46	M20x1.5	78	47	101	34.92	14	29.8	50.3	0.34
SPOS22EC	22	28	20	25.8	50	M22x1.5	84	51	109	38.1	15	36.2	63.9	0.435

Can supply rod ends with different pitch or accuracy of thread.

For left-hand thread, suffix "L" is added to bearing numbers. e.g.:SPOS20ECL M20×1.5L-6g:

Rod ends SI...E,SI...ES, SI...ES-2RS

杆端关节轴承



3-piece, maintenance required, inch, heavy duty

需要润滑, 公制尺寸, 重载系列

DIN ISO 12 240-4-series E,form F

Body: carbon steel,zinc plated

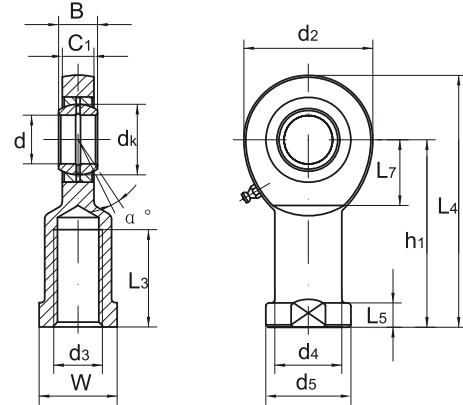
Bearing insert: GE...E,GE...ES or GE...ES-2RS

Sliding contact surface: steel/steel

杆体: 碳钢, 镀锌

轴承: GE...E, ES, ES 2RS

滑动摩擦副: 钢/钢



GIR..DO. GIR..DO-2RS

型号 Part No.	尺寸mm Dimensions														负荷KN Loadratings		重量Kg Weight
	d	d ₃ 6H	B	C ₁	L ₃ min	W	d ₂	h ₁	L ₄	L ₅	d ₄	d ₅	d _k	α ≈	dyn. 动 C _d	stat. 静 C _s	
SI 6 E*	6	M6×1.0	6	4.4	11	11	21	30	40.5	5	10	13	10	13	3.40	8.15	0.021
SI 8 E*	8	M8×1.25	8	6	15	14	24	36	48	5	12.5	16	13	15	5.50	12.9	0.039
SI 10 E*	10	M10×1.5	9	7	20	17	29	43	57.5	6.5	15	19	16	12	8.15	17.6	0.061
SI 12 E*	12	M12×1.75	10	8	23	19	34	50	67	6.5	17.5	22	18	11	10.8	24.5	0.096
SI 15 ES	15	M14×2.0	12	10	30	22	40	61	81	8	21	26	22	8	17.0	36	0.18
SI 17 ES	17	M16×2.0	14	11	34	27	46	67	90	10	24	30	25	10	21.2	45	0.22
SI 20 ES	20	M20×1.5	16	13	40	32	53	77	103.5	10	27.5	35	29	9	30	60	0.35
SI 25 ES	25	M24×2.0	20	17	48	36	64	94	126	12	33.5	42	35.5	7	48	83	0.64
SI 30 ES	30	M30×2.0	22	19	56	41	73	110	146.5	15	40	50	40.7	6	62	110	0.93
SI 35 ES	35	M36×3.0	25	21	60	50	82	125	166	15	47	58	47	6	80	146	1.3
SI 40 ES	40	M39×3.0	28	23	65	55	92	142	188	18	52	65	53	7	100	180	2.0
SI 40-1 ES	40	M42×3.0	28	23	65	55	92	142	188	18	52	65	53	7	100	180	1.96
SI 45 ES	45	M42×3.0	32	27	65	60	102	145	196	20	58	70	60	7	127	240	2.5
SI 45-1 ES	45	M45×3.0	32	27	65	60	102	145	196	20	58	70	60	7	127	240	2.44
SI 50 ES	50	M45×3.0	35	30	68	65	112	160	216	20	62	75	66	6	156	290	3.5
SI 50-1 ES	50	M52×3.0	35	30	68	65	112	160	216	20	62	75	66	6	156	290	3.4
SI 60 ES	60	M52×3.0	44	38	70	75	135	175	242.5	20	70	88	80	6	245	450	5.5
SI 60-1 ES	60	M60×4.0	44	38	70	75	135	175	242.5	20	70	88	80	6	245	450	5.38
SI 70 ES	70	M56×4.0	49	42	80	85	160	200	280	20	80	98	92	6	315	610	8.6
SI 70-1 ES	70	M72×4.0	49	42	80	85	160	200	280	20	80	98	92	6	315	610	8.42
SI 80 ES	80	M64×4.0	55	47	85	100	180	230	320	25	95	110	105	6	400	750	12
SI 80-1 ES	80	M80×4.0	55	47	85	100	180	230	320	25	95	110	105	6	400	750	11.8

-For left-hand thread ,please add suffix"L",e.g.SIL 30 ES.

-For bearings d15,SI..ES 2RS also available,e.g.SI 25 ES 2RS.

-Lubricating hole or grease nipple isn't available for the sizes marked***.

-若是左旋螺纹,轴承型号需加"L",例如: SIL 30 ES.

-轴承孔径d≥15,也可制造2RS结构,例如: SI 25 ES 2RS.

-带*的型号均不配油孔或油杯。

Rod ends SA...E,SA...ES, SA...ES-2RS

杆端关节轴承



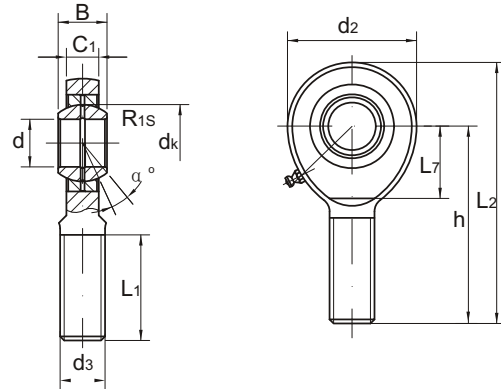
3-piece, maintenance required, metric dimensions, heavy duty

需要润滑，公制尺寸，重载系列

DIN ISO 12 240-4-series E,form M

Body: carbon steel,zinc plated
Bearing insert: GE...E,GE...ES or GE...ES-2RS
Sliding contact surface: steel/steel

杆体：碳钢，镀锌
 轴承：GE...E,ES,ES 2RS
 滑动摩擦副：钢/钢



GAR...DO. GAR..DO-2RS

Part No. 型号	Dimensions 尺寸mm												Load ratings 负荷KN		Weight 重量Kg
	d	d ₃ d _g	B	C ₁	L ₁ min	d ₂	L ₇ min	h	L ₂	d _k	R _{1s}	α ≈	dyn. 动 C _d	stat. 静 C _s	
SA 6 E *	6	M6×1.0	6	4.4	18	21	12	36	46.5	10	0.3	13	3.4	8.15	0.017
SA 8 E*	8	M8×1.25	8	6	22	24	14	42	54	13	0.3	15	5.5	12.9	0.029
SA 10 E*	10	M10×1.5	9	7	26	29	15	48	62.5	16	0.3	12	8.15	17.6	0.051
SA 12 E*	12	M12×1.75	10	8	28	34	18	54	71	18	0.3	11	10.8	24.5	0.086
SA 15 ES	15	M14×2.0	12	10	34	40	20	63	83	22	0.3	8	17	36	0.14
SA 17 ES	17	M16×2.0	14	11	36	46	23	69	92	25	0.3	10	21.2	45	0.19
SA 20 ES	20	M20×1.5	16	13	43	53	27	78	104.5	29	0.6	9	30	60	0.31
SA 25ES	25	M24×2.0	20	17	53	64	32	94	126	35.5	0.6	7	48	83	0.56
SA 30 ES	30	M30×2.0	22	19	65	73	37	110	146.5	40.7	0.6	6	62	110	0.89
SA 35 ES	35	M36×3.0	25	21	82	82	42	140	181	47	0.6	6	80	146	1.4
SA 40 ES	40	M39×3.0	28	23	86	92	48	150	196	53	0.6	7	100	180	1.8
SA 40-1 ES	40	M42×3.0	28	23	86	92	48	150	196	53	0.6	7	100	180	1.85
SA 45 ES	45	M42×3.0	32	27	94	102	52	163	214	60	0.6	7	127	240	2.6
SA 45-1 ES	45	M45×3.0	32	27	94	102	52	163	214	60	0.6	7	127	240	2.66
SA 50 ES	50	M45×3.0	35	30	107	112	60	185	241	66	0.6	6	156	290	3.4
SA 50-1 ES	50	M52×3.0	35	30	107	112	60	185	241	66	0.6	6	156	290	3.5
SA 60 ES	60	M52×3.0	44	38	115	135	75	210	277.5	80	1.0	6	245	450	5.9
SA 60-1 ES	60	M60×4.0	44	38	115	135	75	210	277.5	80	1.0	6	245	450	6.02
SA 70 ES	70	M56×4.0	49	42	125	160	87	235	315	92	1.0	6	315	610	8.2
SA 70-1 ES	70	M72×4.0	49	42	125	160	87	235	315	92	1.0	6	315	610	8.38
SA 80 ES	80	M64×4.0	55	47	140	180	100	270	360	105	1.0	6	400	750	12
SA 80-1 ES	80	M80×4.0	55	47	140	180	100	270	360	105	1.0	6	400	750	12.2

- For left-hand thread ,please add suffix"L", e.g. SAL 30 ES.
- For bearings d≥15, SA..ES 2RS also available, e.g. SA 25 ES 2RS.
- Lubricating hole or grease nipple isn't available for the sizes marked***.
- 若是左旋螺纹，轴承型号需加“L”，例如：SAL 30 ES。
- 轴承孔径d≥15，也可制造2RS结构，例如：SA 25 ES 2RS。
- 带“*”的型号均不配油孔或油杯。

Rod ends SI...PK(PHS...EC)

杆端关节轴承



2-piece, maintenance-free, metric dimensions

免维护,公制尺寸

Housing: carbon steel,zinc plated,pressed inner ring,lined PTFE

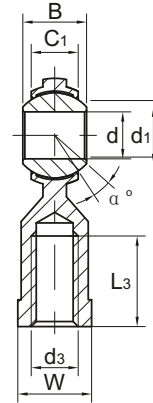
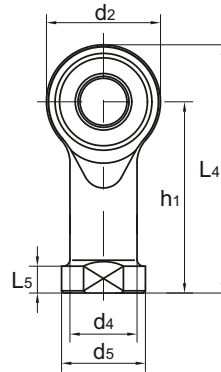
Ball: chrome steel, heat treated,hard chrome plated,precision ground,polished

Sliding contact surface: steel/PTFE

壳体: 碳钢, 镀锌, 内衬PTFE

内圈: 轴承钢, 热处理, 镀铬

摩擦副: 钢/PTFE



Part No. 型号	Dimensions 尺寸mm													Load ratings 负荷KN		Weight 重量Kg
	d	d ₃ 7 _H	B	C ₁	d ₂	h ₁	L ₄	L ₃ min	d ₄	d ₅	W	L ₅	α ≈	dyn. 动 C _d	stat. 静 C _s	
SI 5 PK	5	M5×0.8	8	6	19	27	36.5	10	9	11	9	4	12	5.70	6	0.018
SI 6 PK	6	M6×1.0	9	6.7	21	30	40.5	12	10	13	11	5	11	7.20	7.65	0.026
SI 8 PK	8	M8×1.25	12	9	25	36	48.5	16	12.5	16	14	5	12	11.6	12.9	0.047
SI 10 PK	10	M10×1.5	14	11	29	43	57.5	20	15	19	17	6.5	12	14.5	18	0.077
SI 10-1 PK	10	M10×1.25	14	11	29	43	57.5	20	15	19	17	6.5	12	14.5	18	0.077
SI 12 PK	12	M12×1.75	16	12	33	50	66.5	22	17.5	22	19	6.5	13	17	24	0.10
SI 12-1 PK	12	M12×1.25	16	12	33	50	66.5	22	17.5	22	19	6.5	13	17	24	0.10
SI 14 PK	14	M14×2.0	19	14	37	57	75.5	25	20	25	22	8	14	24	31	0.16
SI 16 PK	16	M16×2.0	21	15	43	64	85.5	28	22	27	22	8	14	28.5	39	0.22
SI 16-1 PK	16	M16×1.5	21	15	43	64	85.5	28	22	27	22	8	14	28.5	39	0.22
SI 18 PK	18	M18×1.5	23	17	47	71	94.5	32	25	31	27	10	14	42.5	47.5	0.32
SI 20 PK	20	M20×1.5	25	18	51	77	102.5	33	27.5	34	30	10	14	42.5	57	0.42
SI 22 PK	22	M22×1.5	28	20	55	84	111.5	37	30	38	32	12	15	57	68	0.54
SI 25 PK	25	M24×2.0	31	22	61	94	124.5	42	33.5	42	36	12	15	68	85	0.72

-For left-hand thread, please add suffix"L", e.g. SIL 18 PK.

-若是左旋螺纹, 轴承型号需加 "L", 例如: SIL 18 PK.

Rod ends SA...PK(POS...EC)

杆端关节轴承

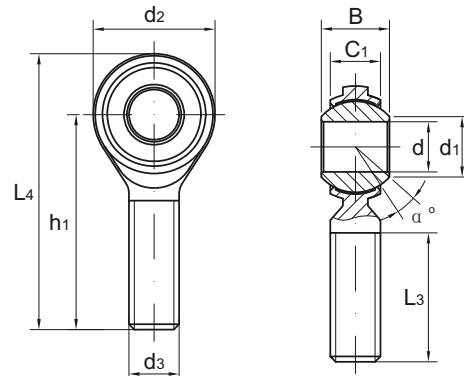


2-piece, maintenance-free, metric dimensions

免维护,公制尺寸

Housing: carbon steel, zinc plated, pressed inner ring, lined PTFE
Ball: chrome steel, heat treated, hard chrome plated, precision ground, polished
Sliding contact surface: steel/PTFE

壳体: 碳钢, 镀锌, 内衬PTFE
 内圈: 轴承钢, 热处理, 镀铬
 摩擦副: 钢/PTFE



Part No. 型号	Dimensions 尺寸mm									Load ratings 负荷KN		Weight 重量Kg
	d	d ₃ 6 _g	B	C ₁	d ₂	h ₁	L ₄	L ₃ min	α ≈	dyn. 动 C _d	stat. 静 C _s	
SA 5 PK	5	M5×0.8	8	6	19	33	42.5	20	12	5.70	6	0.014
SA 6 PK	6	M6×1.0	9	6.7	21	36	46.5	22	11	7.20	7.65	0.020
SA 8 PK	8	M8×1.25	12	9	25	42	54.5	25	12	11.6	12.9	0.038
SA 10 PK	10	M10×1.5	14	11	29	48	62.5	29	12	14.5	18	0.055
SA 12 PK	12	M12×1.75	16	12	33	54	70.5	33	13	17	24	0.085
SA 14 PK	14	M14×2.0	19	14	37	60	78.5	36	14	24	31	0.14
SA 16 PK	16	M16×2.0	21	15	43	66	87.5	40	14	28.5	39	0.21
SA 18 PK	18	M18×1.5	23	17	47	72	95.5	44	14	42.5	47.5	0.28
SA 20 PK	20	M20×1.5	25	18	51	78	103.5	47	14	42.5	57	0.38
SA 22 PK	22	M22×1.5	28	20	55	84	111.5	50	15	57	68	0.48
SA 25 PK	25	M24×2.0	31	22	61	94	124.5	57	15	68	85	0.64

-For left-hand thread, please add suffix"L", e.g. SAL 18 PK.

-若是左旋螺纹, 轴承型号需“L”, 例如: SAL 18 PK。

Rod ends SI...T/K

杆端关节轴承



3-piece, maintenance-free, metric dimensions, G...PW

免维护，公制尺寸

Features: made-up of maintenance-free spherical bearing G...PW and body

Body: carbon steel, zinc plated

Ball: chrome steel, heat treated HRC58-64, precision ground, polished, hard chrome plated

Race: brass

Liner: PTFE-Strong & flexible bronze mesh spread with fluorine resin

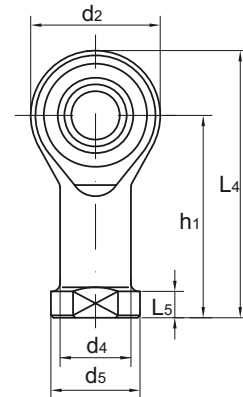
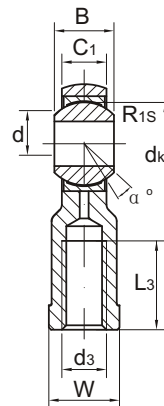
Sliding contact surface: steel/PTFE

壳体：碳钢，锌铬酸盐处理

内圈：轴承钢，精磨，抛光，镀铬

外圈：黄铜

滑动摩擦副：钢/PTFE



Part No. 型号	Dimensions 尺寸mm														Load ratings 负荷KN		Weight 重量Kg
	d	d3 6H	B	C1	W	h1	d2	L4	L5	d4	d5	dk	L3 min	α °	dyn. 动 Cd	stat. 静 Cs	
SI 5 T/K	5	M5×0.8	8	6	9	27	18	36	4	8.5	11	11.11	10	13	5.70	6.00	0.016
SI 6 T/K	6	M6×1.0	9	6.75	11	30	20	40	5	10	13	12.70	12	13	7.20	7.65	0.022
SI 8 T/K	8	M8×1.25	12	9	14	36	24	48	5	12.5	16	15.875	16	14	11.6	12.9	0.047
SI 10 T/K	10	M10×1.5	14	10.5	17	43	28	57	6.5	15	19	19.05	20	13	14.5	18	0.077
SI 10-1 T/K	10	M10×1.25	14	10.5	17	43	28	57	6.5	15	19	19.05	20	13	14.5	18	0.077
SI 12 T/K	12	M12×1.75	16	12	19	50	32	66	6.5	17.5	22	22.225	22	13	17	24	0.10
SI 12-1 T/K	12	M12×1.25	16	12	19	50	32	66	6.5	17.5	22	22.225	22	13	17	24	0.10
SI 14 T/K	14	M14×2.0	19	13.5	22	57	36	75	8	20	25	25.40	25	16	24	31	0.16
SI 14-1 T/K	14	M14×1.5	19	13.5	22	57	36	75	8	20	25	25.40	25	16	24	31	0.16
SI 16 T/K	16	M16×2.0	21	15	22	64	42	85	8	22	27	28.575	28	15	28.5	39	0.22
SI 16-1 T/K	16	M16×1.5	21	15	22	64	42	85	8	22	27	28.575	28	15	28.5	39	0.22
SI 18 T/K	18	M18×1.5	23	16.5	27	71	44	93	10	25	31	31.75	32	15	42.5	47.5	0.32
SI 20 T/K	20	M20×1.5	25	18	30	77	50	102	10	27.5	34	34.925	33	14	42.5	57	0.42
SI 22 T/K	22	M22×1.5	28	20	32	84	54	111	12	30	38	38.10	37	15	57	68	0.54
SI 25 T/K	25	M24×2.0	31	22	36	94	60	124	12	33.5	42	42.86	42	15	68	85	0.72
SI 28 T/K	28	M27×2.0	35	24	41	103	66	136	14	37	46	47.63	51	15	86	107	0.82
SI 30 T/K	30	M30×2.0	37	25	41	110	70	145	15	40	50	50.8	51	17	88	114	1.1
SI 30-1 T/K	30	M27×2.0	37	25	41	110	70	145	15	40	50	50.8	51	17	88	114	1.1
SI 35 T/K	35	M36×2.0	43	28	50	125	81	165.5	17	46	58	57.15	56	16	.	.	1.6
SI 40 T/K	40	M42×2.0	49	33	55	142	91	187.5	19	53	65	66.67	60	16	.	.	2.4
SI 50 T/K	50	M48×2.0	60	45	65	160	117	218.5	23	65	75	82.5	65	12	.	.	5.0

-For left-hand thread, please add suffix "L", e.g. SIL 18T/K.

-若是左旋螺纹，轴承型号需加“L”，例如：SIL 18 T/K。

Rod ends SA...T/K

杆端关节轴承



3-piece, maintenance-free, metric dimensions, G...PW

免维护，公制尺寸

Features:made-up of maitenance-free spherical bearing G...PW and body

Body: carbon steel,zinc plated

Ball: chrome steel, heat treated HRC58-64,precision ground,polished,hard chrome plated

Race: brass

Liner: PTFE-Strong & flexible bronze mesh spread with fluorine resin

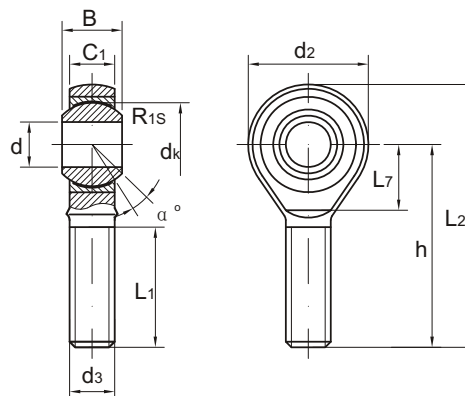
Sliding contact surface: steel/PTFE

壳体：碳钢，锌铬酸盐处理

内圈：轴承钢，精磨，抛光，镀铬

外圈：黄铜

滑动摩擦副：钢/PTFE



Part No. 型号	Dimensions 尺寸mm												Load ratings 负荷KN		Weight 重量Kg
	d	d ₃ 6 _g	B	C ₁	L ₁ min	d ₂	L ₇	h	L ₂	d _k	R _{1s}	α ≈	dyn. 动 C _d	stat. 静 C _s	
SA 5 T/K	5	M5×0.8	8	6	19	18		33	42	11.11	0.3	13	5.7	6.0	0.013
SA 6 T/K	6	M6×1.0	9	6.75	21	20		36	46	12.70	0.3	13	7.2	7.65	0.020
SA 8 T/K	8	M8×1.25	12	9	25	24		42	54	15.875	0.3	14	11.6	12.9	0.038
SA 10 T/K	10	M10×1.5	14	10.5	28	28		48	62	19.05	0.3	13	14.5	18	0.055
SA 12 T/K	12	M12×1.75	16	12	32	32		54	70	22.225	0.3	13	17	24	0.085
SA 12-1 T/K	12	M12×1.25	16	12	32	32		54	70	22.225	0.3	13	17	24	0.085
SA 14 T/K	14	M14×2.0	19	13.5	36	36	18	60	78	25.40	0.3	16	24	31	0.14
SA 16 T/K	16	M16×2.0	21	15	37	42	21	66	87	28.575	0.3	15	28.5	39	0.21
SA 16-1 T/K	16	M16×1.5	21	15	37	42	21	66	87	28.575	0.3	15	28.5	39	0.21
SA 18 T/K	18	M18×1.5	23	16.5	41	44	22	72	94	31.75	0.3	15	42.5	47.5	0.28
SA 20 T/K	20	M20×1.5	25	18	45	50	25	78	103	34.925	0.3	14	42.5	57	0.38
SA 22 T/K	22	M22×1.5	28	20	48	54	27	84	111	38.10	0.3	15	57	68	0.48
SA 25 T/K	25	M24×2.0	31	22	55	60	30	94	124	42.86	0.3	15	68	85	0.64
SA 28 T/K	28	M27×2.0	35	24	62	66	33	103	136	47.63	0.3	15	86	107	0.80
SA 30 T/K	30	M30×2.0	37	25	66	70	35	110	145	50.8	0.3	17	88	114	1.10
SA 35 T/K	35	M36×2.0	43	28	85	81	40	140	180.5	57.15	0.3	16			1.64
SA 40 T/K	40	M42×2.0	49	33	90	91	45	150	195.5	66.67	0.3	17			2.30
SA 50 T/K	50	M48×2.0	60	45	105	117	58	185	243.5	82.5	0.3	12			4.80

-For left-hand thread, please add suffix"L", e.g. SAL18T/K.

-若是左旋螺纹，轴承型号需加“L”，例如：SAL 18T/K。

Stainless steel rod ends SSI...T/K

杆端关节轴承



3-piece, maintenance-free, metric dimensions, SG...PW

不锈钢，免维护，公制尺寸

Body: 304 stainless steel

Ball: 440 stainless steel ,heart treaded,precision ground and polished

Outer ring: 304 stainless steel lined PTFE

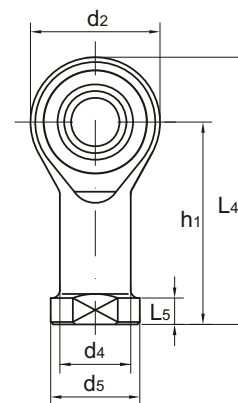
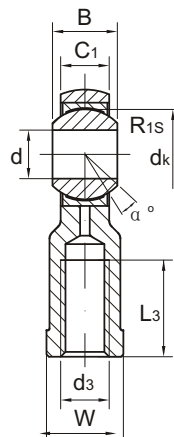
Sliding contact surface: steel/PTFE

壳体: 304 不锈钢

内圈: 440不锈钢,精磨,抛光

外圈: 304不锈钢内衬PTFE

滑动摩擦副: 钢/PTFE



Part No. 型号	Dimensions 尺寸mm														Load ratings 负荷KN		Weight 重量Kg
	d	d ₃ 6H	B	C ₁	W	h ₁	d ₂	L ₄	L ₅	d ₄	d ₅	d _k	L ₃ min	α ≈	dyn. 动 C _d	stat. 静 C _s	
SSI 5 T/K	5	M5×0.8	8	6	9	27	18	36	4	8.5	11	11.11	10	13	5.70	6.00	0.016
SSI 6 T/K	6	M6×1.0	9	6.75	11	30	20	40	5	10	13	12.70	12	13	7.20	7.65	0.022
SSI 8 T/K	8	M8×1.25	12	9	14	36	24	48	5	12.5	16	15.875	16	14	11.6	12.9	0.047
SSI 10 T/K	10	M10×1.5	14	10.5	17	43	28	57	6.5	15	19	19.05	20	13	14.5	18	0.077
SSI 10-1 T/K	10	M10×1.25	14	10.5	17	43	28	57	6.5	15	19	19.05	20	13	14.5	18	0.077
SSI 12 T/K	12	M12×1.75	16	12	19	50	32	66	6.5	17.5	22	22.225	22	13	17	24	0.10
SSI 12-1 T/K	12	M12×1.25	16	12	19	50	32	66	6.5	17.5	22	22.225	22	13	17	24	0.10
SSI 14 T/K	14	M14×2.0	19	13.5	22	57	36	75	8	20	25	25.40	25	16	24	31	0.16
SSI 14-1 T/K	14	M14×1.5	19	13.5	22	57	36	75	8	20	25	25.40	25	16	24	31	0.16
SSI 16 T/K	16	M16×2.0	21	15	22	64	42	85	8	22	27	28.575	28	15	28.5	39	0.22
SSI 16-1 T/K	16	M16×1.5	21	15	22	64	42	85	8	22	27	28.575	28	15	28.5	39	0.22
SSI 18 T/K	18	M18×1.5	23	16.5	27	71	44	93	10	25	31	31.75	32	15	42.5	47.5	0.32
SSI 20 T/K	20	M20×1.5	25	18	30	77	50	102	10	27.5	34	34.925	33	14	42.5	57	0.42
SSI 22 T/K	22	M22×1.5	28	20	32	84	54	111	12	30	38	38.10	37	15	57	68	0.54
SSI 25 T/K	25	M24×2.0	31	22	36	94	60	124	12	33.5	42	42.86	42	15	68	85	0.72
SSI 28 T/K	28	M27×2.0	35	24	41	103	66	136	14	37	46	47.63	51	15	86	107	0.82
SSI 30 T/K	30	M30×2.0	37	25	41	110	70	145	15	40	50	50.8	51	17	88	114	1.10
SSI30-1 T/K	30	M27×2.0	37	25	41	110	70	145	15	40	50	50.8	51	17	88	114	1.10

-For left-hand thread, please add suffix "L", e.g. SSIL18T/K.

-若是左旋螺纹,轴承型号需加“L”,例如: SSIL18T/K.

Stainless steel rod ends SSI...T/K

杆端关节轴承



3-piece, maintenance-free, metric dimensions, SG...PW

不锈钢, 免维护, 公制尺寸

Body: 304 stainless steel

Ball: 440 stainless steel ,heart treaded,precision ground and polished

Outer ring: 304 stainless steel lined PTFE

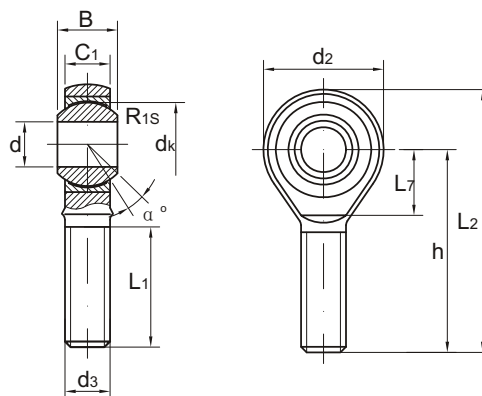
Sliding contact surface: steel/PTFE

壳体: 304 不锈钢

内圈: 440不锈钢,精磨,抛光

外圈: 304不锈钢内衬PTFE

滑动摩擦副: 钢/PTFE



Part No. 型号	Dimensions 尺寸mm												Load ratings 负荷KN		Weight 重量Kg
	d	d ₃ 6 _g	B	C ₁	L ₁ min	d ₂	h	L ₇	L ₂	d _k	R _{1s}	α ≈	dyn. 动 C _d	stat. 静 C _s	
SSA 5 T/K	5	M5×0.8	8	6	19	18	33		42	11.11	0.3	13	5.70	6.00	0.013
SSA 6 T/K	6	M6×1.0	9	6.75	21	20	36		46	12.70	0.3	13	7.20	7.65	0.020
SSA 8T/K	8	M8×1.25	12	9	25	24	42		54	15.875	0.3	14	11.6	12.9	0.038
SSA 10T/K	10	M10×1.5	14	10.5	28	28	48		62	19.05	0.3	13	14.5	18	0.055
SSA 12 T/K	12	M12×1.75	16	12	32	32	54		70	22.225	0.3	13	17.0	24	0.085
SSA 12-1T/K	12	M12×1.25	16	12	32	32	54		70	22.225	0.3	13	17.0	24	0.085
SSA 14 T/K	14	M14×2.0	19	13.5	36	36	60	18	78	25.40	0.3	16	24.0	31	0.14
SSA 16T/K	16	M16×2.0	21	15	37	42	66	21	87	28.575	0.3	15	28.5	39	0.21
SSA 16-1 T/K	16	M16×1.5	21	15	37	42	66	21	87	28.575	0.3	15	28.5	39	0.21
SSA 18T/K	18	M18×1.5	23	16.5	41	44	72	22	94	31.75	0.3	15	42.5	47.5	0.28
SSA 20T/K	20	M20×1.5	25	18	45	50	78	25	103	34.925	0.3	14	42.5	57	0.38
SSA 22 T/K	22	M22×1.5	28	20	48	54	84	27	111	38.10	0.3	15	57	68	0.48
SSA 25 T/K	25	M24×2.0	31	22	55	60	94	30	124	42.86	0.3	15	68	85	0.64
SSA 28 T/K	28	M27×2.0	35	24	62	66	103	33	136	47.63	0.3	15	86	107	0.80
SSA 30 T/K	30	M30×2.0	37	25	66	70	110	35	145	50.80	0.3	17	88	114	1.10

-For left-hand thread, please add suffix"L", e.g. SSAL 18 T/K.

-若是左旋螺纹, 轴承型号需加“L”, 例如: SSAL 18 T/K.

Rod ends GIR...UK,GIR...UK-2RS

杆端关节轴承



3-piece, maintenance -free, inch dimensions, heavy duty

免维护，英制尺寸，重载系列

DIN ISO 12 240-4-series E,form F

Housing: carbon steel,zinc plated,with grease nipple

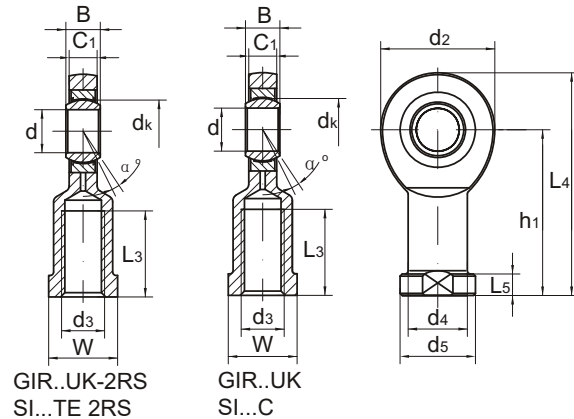
Made up: GE...UK or GE...UK-2RS and rod body

Sliding contact surface: steel/PFFE

杆体：碳钢，镀锌，带油嘴

构成：GE...UK 或GE...UK-2RS加杆体

滑动摩擦副：钢/PTFE



Part No. 型号	Dimensions 尺寸mm													Load ratings 负荷KN		Weight 重量Kg	
	d	d ₃ 6H	B	C ₁	d ₂	L ₃ min	W	d ₄	d ₅	L ₅	h ₁	L ₄	d _k	α ≈	dyn. 动 C _d		stat. 静 C _s
GIR 6 UK	6	M6×1.0	6	4.4	21	11	11	10	13	5	30	40.5	10	13	3.60	8.15	0.021
GIR 8 UK	8	M8×1.25	8	6.0	24	15	14	12.5	16	5	36	48	13	15	5.85	12.9	0.039
GIR 10 UK	10	M10×1.5	9	7.0	29	20	17	15	19	6.5	43	57.5	16	12	8.65	17.6	0.061
GIR 12 UK	12	M12×1.75	10	8.0	34	23	19	17.5	22	6.5	50	67	18	11	11.4	24.5	0.096
GIR 15 UK	15	M14×2.0	12	10	40	30	22	21	26	8	61	81	22	8	17.6	36	0.18
GIR 17 UK(2RS)	17	M16×2.0	14	11	46	34	27	24	30	10	67	90	25	10	22.4	45	0.22
GIR 20 UK(2RS)	20	M20×1.5	16	13	53	40	32	27.5	35	10	77	103.5	29	9	31.5	60	0.35
GIR 25 UK(2RS)	25	M24×2.0	20	17	64	48	36	33.5	42	12	94	126	35.5	7	51.0	83	0.64
GIR 30 UK(2RS)	30	M30×2.0	22	19	73	56	41	40	50	15	110	146.5	40.7	6	66.5	110	0.93
GIR 35 UK 2RS	35	M36×3.0	25	21	82	60	50	47	58	15	125	166	47	6	112	146	1.3
GIR 40 UK 2RS	40	M39×3.0	28	23	92	65	55	52	65	18	142	188	53	7	140	180	2.0
GIR 40-1 UK 2RS	40	M42×3.0	28	23	92	65	55	52	65	18	142	188	53	7	140	180	1.96
GIR 45 UK 2RS	45	M42×3.0	32	27	102	65	60	58	70	20	145	196	60	7	180	240	2.5
GIR 45-1 UK 2RS	45	M45×3.0	32	27	102	65	60	58	70	20	145	196	60	7	180	240	2.44
GIR 50 UK 2RS	50	M45×3.0	35	30	112	68	65	62	75	20	160	216	66	6	220	290	3.5
GIR 50-1 UK 2RS	50	M52×3.0	35	30	112	68	65	62	75	20	160	216	66	6	220	290	3.4
GIR 60 UK 2RS	60	M52×3.0	44	38	135	70	75	70	88	20	175	242.5	80	6	345	450	5.5
GIR 60-1 UK 2RS	60	M60×4.0	44	38	135	70	75	70	88	20	175	242.5	80	6	345	450	5.38
GIR 70 UK RS	70	M56×4.0	49	42	160	80	85	80	98	20	200	280	92	6	440	610	8.6
GIR 70-1 UK 2RS	70	M72×4.0	49	42	160	80	85	80	98	20	200	280	92	6	440	610	8.42
GIR 80 UK 2RS	80	M64×4.0	55	47	180	85	100	95	110	25	230	320	105	6	570	750	12
GIR 80-1 UK 2RS	80	M80×4.0	55	47	180	85	100	95	110	25	230	320	105	6	570	750	11.8

-For left-hand thread, please add suffix"L", e.g. GIL 10 UK.

-若是左旋螺纹，轴承型号需加“L”，例如：GIL 10 UK。

Rod ends GAR...UK,GAR...UK-2RS

杆端关节轴承



3-piece, maintenance -free, inch dimensions, heavy duty

免维护，英制尺寸，重载系列

DIN ISO 12 240-4-series E,form F

Housing: carbon steel,zinc plated,with grease nipple

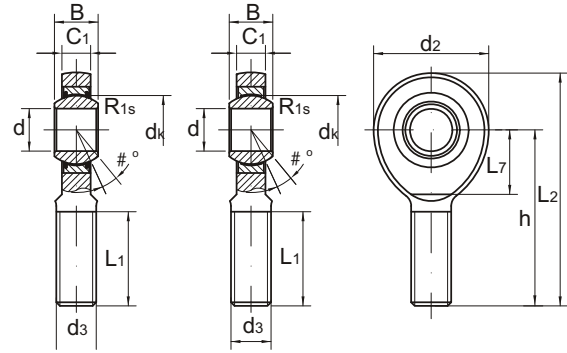
Made up: GE...UK or GE...UK-2RS and rod body

Sliding contact surface: steel/PTFE

杆体：碳钢，镀锌，带油嘴

构成：GE...UK 或GE...UK-2RS加杆体

滑动摩擦副：钢/PTFE



GAR...UK-2RS
SA...TE-2RS

GAR...UK
SA...C

Part No. 型号	Dimensions 尺寸mm												Load ratings 负荷KN		Weight 重量Kg
	d	d ₃ 6 _g	B	C ₁	d ₂	L ₂	h	L ₇	L ₁ min	d _k	R _{1s}	# 气	dyn. 动 C _d	stat. 静 C _s	
GAR 6 UK	6	M6×1.0	6	4.4	21	46.5	36	12	18	10	0.3	13	3.60	8.15	0.017
GAR 8 UK	8	M8×1.25	8	6	24	54	42	14	22	13	0.3	15	5.85	12.9	0.029
GAR 10 UK	10	M10×1.5	9	7	29	62.5	48	15	26	16	0.3	12	8.65	17.6	0.051
GAR 12 UK	12	M12×1.75	10	8	34	71	54	18	28	18	0.3	11	11.4	24.5	0.086
GAR 15 UK	15	M14×2.0	12	10	40	83	63	20	34	22	0.3	8	17.6	36	0.14
GAR 17 UK(2RS)	17	M16×2.0	14	11	46	92	69	23	36	25	0.3	10	22.4	45	0.19
GAR 20 UK(2RS)	20	M20×1.5	16	13	53	104.5	78	27	43	29	0.6	9	31.5	60	0.31
GAR 25 UK(2RS)	25	M24×2.0	20	17	64	126	94	32	53	35.5	0.6	7	51.0	83	0.56
GAR 30 UK(2RS)	30	M30×2.0	22	19	73	146.5	110	37	65	40.7	0.6	6	66.5	110	0.89
GAR 35 UK 2RS	35	M36×3.0	25	21	82	181	140	42	82	47	0.6	6	112	146	1.4
GAR 40 UK 2RS	40	M39×3.0	28	23	92	196	150	48	86	53	0.6	7	140	180	1.8
GAR 40-1 UK 2RS	40	M42×3.0	28	23	92	196	150	48	86	53	0.6	7	140	180	1.85
GAR 45 UK 2RS	45	M42×3.0	32	27	102	214	163	52	94	60	0.6	7	180	240	2.6
GAR 45-1 UK 2RS	45	M45×3.0	32	27	102	214	163	52	94	60	0.6	7	180	240	2.66
GAR 50 UK 2RS	50	M45×3.0	35	30	112	241	185	60	107	66	0.6	6	220	290	3.4
GAR 50-1 UK 2RS	50	M52×3.0	35	30	112	241	185	60	107	66	0.6	6	220	290	3.5
GAR 60 UK 2RS	60	M52×3.0	44	38	135	277.5	210	75	115	80	1.0	6	345	450	5.9
GAR 60-1 UK 2RS	60	M60×4.0	44	38	135	277.5	210	75	115	80	1.0	6	345	450	6.02
GAR 70 UK RS	70	M56×4.0	49	42	160	315	235	87	125	92	1.0	6	440	610	8.2
GAR 70-1 UK 2RS	70	M72×4.0	49	42	160	315	235	87	125	92	1.0	6	440	610	8.38
GAR 80 UK 2RS	80	M64×4.0	55	47	180	360	270	100	140	105	1.0	6	570	750	12
GAR 80-1 UK 2RS	80	M80×4.0	55	47	180	360	270	100	140	105	1.0	6	570	750	12.2

-For left-hand thread, please add suffix "L", e.g. GAL 10 UK.

-若是左旋螺纹，轴承型号需加“L”，例如：GAL 10 UK。

Rod ends CF, CF..S

杆端关节轴承



2-piece, maintenance required, inch dimensions

需润滑，英制尺寸

Housing: carbon steel, zinc plated

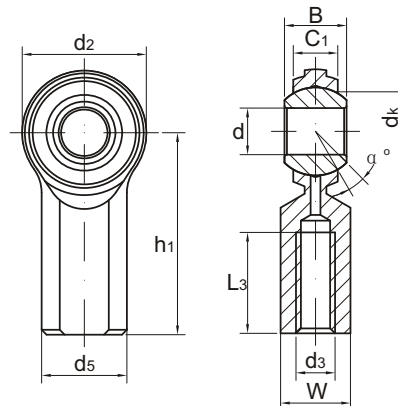
Ball: chrome steel, heat treated, hard chrome plated, precision ground, polished

Sliding contact surface: steel/steel

壳体：碳钢，镀锌

内圈：轴承钢，热处理硬度HRC57-61，镀铬

摩擦副：钢/钢



Part No. 型号	Dimensions 尺寸mm											Load ratings 负荷KN	Weight 重量Kg
	d	B	C ₁	h ₁	d ₂	d ₅	W	d _k	L ₃ min	d ₃ 2B	α ≈		
CF 3*	4.826	7.92	5.94	26.97	15.88	10.31	7.92	11.10	12.70	10-32	10	9.247	0.018
CF 4*	6.350	9.53	6.35	33.32	19.05	11.91	9.53	12.70	17.45	1/4-28	13.5	14.269	0.023
CF 5*	7.938	11.1	7.92	34.93	22.23	12.7	11.1	15.88	17.45	5/16-24	11	17.009	0.036
CF 6	9.525	12.7	9.12	41.28	25.40	17.45	14.27	18.26	20.62	3/8-24	11	22.627	0.059
CF 7	11.113	14.27	10.31	46.02	28.58	19.05	15.88	20.62	23.80	7/16-20	10.5	28.400	0.082
CF 8	12.70	15.88	11.50	53.98	33.32	22.23	19.05	23.80	26.97	1/2-20	10	40.459	0.132
CF 10	15.875	19.05	12.29	63.50	38.10	25.40	22.23	28.58	34.93	5/8-18	13	43.203	0.195
CF 12	19.05	22.23	15.06	73.03	44.45	28.58	25.40	33.32	39.67	3/4-16	12	63.193	0.295

- For left-hand thread, please add suffix "L", e.g. please use the sign CFL 10.
- Lubricating hole or grease nipple isn't available for the sizes marked***. When grease nipple is required for other sizes, please use the sign CF..S.
- Load ratings only to rod ends without grease nipple.
- 若是左旋螺纹，轴承型号需加“L”，例如：CFL 10。
- 带有“*”的型号均不配油孔或油杯，其余若需配油杯，请用CF..S的代号。
- 表中负荷值仅使用不带油杯的情况。

Rod ends CM, CM..S

杆端关节轴承



2-piece, maintenance required, inch dimensions

需润滑，英制尺寸

Housing: carbon steel, zinc plated

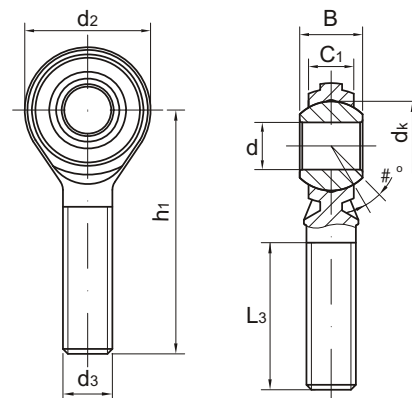
壳体：碳钢，镀锌

Inner ring: chrome steel, heat treated HRC57-61, hard chrome plated

内圈：轴承钢，热处理硬度HRC57-61，镀铬

Sliding contact surface: steel/steel

摩擦副：钢/钢



Part No. 型号	Dimensions 尺寸mm									Load ratings 负荷KN	Weight 重量Kg
	d	B	C ₁	h ₁	d ₂	d _k	L ₃ min	d ₃ 3A	# 孔		
CM 3*	4.826	7.92	5.94	31.75	15.88	11.1	19.05	10-32	10	5.355	0.014
CM 4*	6.350	9.53	6.35	39.67	19.05	12.7	25.40	1/4-28	13.5	9.839	0.018
CM 5*	7.938	11.1	7.92	47.63	22.23	15.88	31.75	5/16-24	11	15.910	0.032
CM 6	9.525	12.7	9.12	49.23	25.40	18.26	31.75	3/8-24	11	22.542	0.050
CM 7	11.113	14.27	10.31	53.98	28.58	20.62	34.93	7/16-20	10.5	28.223	0.068
CM 8	12.70	15.88	11.50	61.93	33.32	23.80	38.10	1/2-20	10	37.087	0.109
CM 10	15.875	19.05	12.29	66.68	38.10	28.58	41.28	5/8-18	13	43.203	0.163
CM 12	19.05	22.23	15.06	73.03	44.45	33.32	44.45	3/4-16	12	63.193	0.259

-For left-hand thread, please add suffix "L", e.g. CML 10.

-Lubricating hole or grease nipple isn't available for the sizes marked "*".

When grease nipple is required for other sizes, please use the sign CM..S.

-Load ratings apply only to rod ends without grease nipple.

-若是左旋螺纹，轴承型号需加"L"，例如：CML 10。

-带有 "*" 的型号均不配油孔或油杯，其余若需配油杯，请用CM..S的代号。

-表中负荷值仅使用不带油杯的情况。

Rod ends CF...T

杆端关节轴承



2-piece, maintenance-free, inch dimensions

免维护，英制尺寸

Housing: carbon steel,zinc plated

Ball: chrome steel, heat treated,hard chromium plated,precision ground,polished

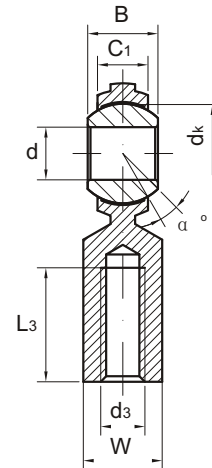
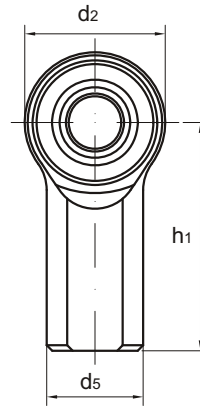
Race:PTFE composite or PTFE fabric

Sliding contact surface: steel/PTFE composite or PTFE fabric

壳体：碳钢，镀锌

内圈：轴承钢，热处理，镀铬

摩擦副：钢/PTFE



Part No. 型号	Dimensions 尺寸mm											Load ratings 负荷KN	Weight 重量Kg
	d	B	C ₁	h ₁	d ₂	d ₅	w	dk	L ₃ min	d ₃ 2B	α ≈		
CF 3 T	4.826	7.92	5.94	26.97	15.875	10.31	7.92	11.1	12.7	10-32	10	8.02	0.018
CF 4 T	6.35	9.53	6.35	33.32	19.05	11.89	9.53	12.7	17.45	1/4-28	13.5	16.082	0.023
CF 5 T	7.938	11.1	7.92	34.93	22.23	12.70	11.10	15.88	17.45	5/16-24	11	28.693	0.036
CF 6 T	9.525	12.7	9.12	41.28	25.40	17.45	14.27	18.26	20.62	3/8-24	11	38.371	0.059
CF 7 T	11.113	14.27	10.31	46.02	28.58	19.05	15.88	20.62	23.80	7/16-20	10.5	41.676	0.082
CF 8 T	12.70	15.88	11.50	53.98	33.32	22.23	19.05	23.80	26.97	1/2-20	10	67.299	0.132
CF 10 T	15.875	19.05	12.29	63.50	38.10	25.40	22.23	28.58	34.93	5/8-18	13	75.271	0.195
CF 12 T	19.05	22.23	15.06	73.03	44.45	28.58	25.40	33.32	39.67	3/4-16	12	113.642	0.295

-For left-hand thread, please add suffix "L", e.g. CFL 10 T.

-若是左旋螺纹，轴承型号需加“L”，例如：CFL 10 T.

PTFE composite:PTFE-Strong & flexible bronze mesh spread with fluorine resin

Rod ends CM...T

杆端关节轴承



2-piece, maintenance-free, inch dimensions

免维护，英制尺寸

Housing: carbon steel, zinc plated

Ball: chrome steel, heat treated, hard chromium plated, precision ground, polished

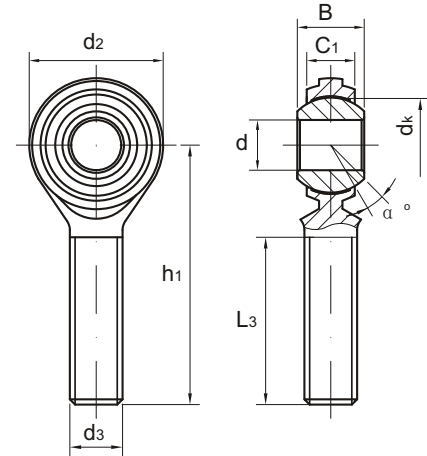
Race: PTFE composite or PTFE fabric

Sliding contact surface: steel/PTFE

壳体：碳钢，镀锌

内圈：轴承钢，热处理，镀铬

摩擦副：钢/PTFE



Part No. 型号	Dimensions 尺寸mm									Load ratings 负荷KN	Weight 重量Kg
	d	B	C ₁	h ₁	d ₂	d _k	L ₃ min	d ₃ 3A	α ≈		
CM 3 T	4.826	7.92	5.94	31.75	15.875	11.1	19.05	10-32	10	8.02	0.014
CM 4 T	6.35	9.53	6.35	39.67	19.05	12.7	25.4	1/4-28	13.5	16.082	0.018
CM 5 T	7.938	11.1	7.92	47.63	22.23	15.88	31.75	5/16-24	11	28.693	0.032
CM 6 T	9.525	12.7	9.12	49.23	25.40	18.26	31.75	3/8-24	11	38.371	0.050
CM 7 T	11.113	14.27	10.31	53.98	28.58	20.62	34.93	7/16-20	10.5	41.676	0.068
CM 8 T	12.70	15.88	11.50	61.93	33.32	23.80	38.10	1/2-20	10	67.299	0.109
CM 10 T	15.875	19.05	12.29	66.68	38.10	28.58	41.28	5/8-18	13	75.271	0.163
CM 12 T	19.05	22.23	15.06	73.03	44.45	33.32	44.45	3/4-16	12	113.642	0.259

-For left-hand thread, please add suffix "L", e.g. CML 5 T.

-若是左旋螺纹，轴承型号需加“L”，例如：CML 5 T。

PTFE composite: PTFE-Strong & flexible bronze mesh spread with fluorine resin

Stainless Steel Rod ends SCF...T

杆端关节轴承

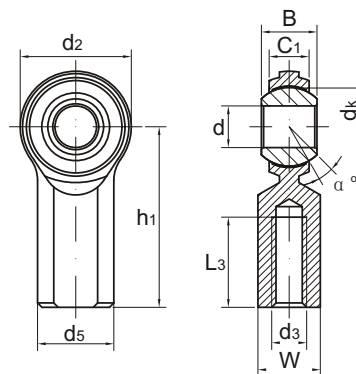


2-piece, maintenance-free, inch dimensions

不锈钢, 免维护, 英制尺寸

Housing: 304 stainless steel
Inner ring: 440 stainless steel
Sliding contact surface: stainless steel/PTFE

壳体: 304不锈钢
 内圈: 440不锈钢
 摩擦副: 不锈钢/PTFE



Part No. 型号	Dimensions 尺寸mm											Load ratings 负荷KN	Weight 重量Kg
	d	B	C1	h1	d2	d5	w	dk	L3 min	d3 2B	α ≈		
SCF 3 T	4.826	7.92	5.94	26.97	15.875	10.31	7.92	11.1	12.7	10-32	10	8.02	0.018
SCF 4 T	6.35	9.53	6.35	33.32	19.05	11.89	9.53	12.7	17.45	1/4-28	13.5	16.082	0.023
SCF 5 T	7.938	11.1	7.92	34.93	22.23	12.70	11.10	15.88	17.45	5/16-24	11	28.693	0.036
SCF 6 T	9.525	12.7	9.12	41.28	25.40	17.45	14.27	18.26	20.62	3/8-24	11	38.371	0.059
SCF 7 T	11.113	14.27	10.31	46.02	28.58	19.05	15.88	20.62	23.80	7/16-20	10.5	41.676	0.082
SCF 8 T	12.70	15.88	11.50	53.98	33.32	22.23	19.05	23.80	26.97	1/2-20	10	67.299	0.132
SCF 10 T	15.875	19.05	12.29	63.50	38.10	25.40	22.23	28.58	34.93	5/8-18	13	75.271	0.195
SCF 12 T	19.05	22.23	15.06	73.03	44.45	28.58	25.40	33.32	39.67	3/4-16	12	113.642	0.295

-For left-hand thread, please add suffix "L", e.g. SCFL 10 T.

-若是左旋螺纹, 轴承型号需加 "L", 例如: GFL 10 T.

Stainless Steel Rod ends with studs SCM...T

杆端关节轴承



2-piece, maintenance-free, inch dimensions

不锈钢，免维护，英制尺寸

Housing: 304 stainless steel

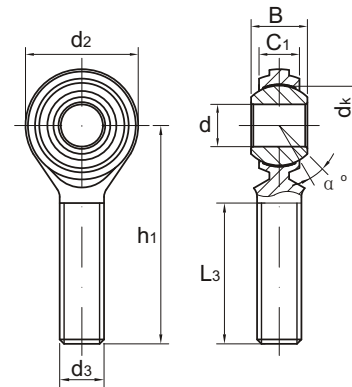
Inner ring: 440 stainless steel

Sliding contact surface: stainless steel/PTFE

壳体：304不锈钢

内圈：440不锈钢

摩擦副：不锈钢/PTFE



Part No. 型号	Dimensions 尺寸mm									Load ratings 负荷KN	Weight 重量Kg
	d	B	C ₁	h ₁	d ₂	d _k	L ₃ min	d ₃ 3A	α ≈		
SCM 3 T	4.826	7.92	5.94	31.75	15.875	11.1	19.05	10-32	10	8.02	0.014
SCM 4 T	6.35	9.53	6.35	39.67	19.05	12.7	25.4	1/4-28	13.5	16.082	0.018
SCM 5 T	7.938	11.1	7.92	47.63	22.23	15.88	31.75	5/16-24	11	28.693	0.032
SCM 6 T	9.525	12.7	9.12	49.23	25.40	18.26	31.75	3/8-24	11	38.371	0.050
SCM 7 T	11.113	14.27	10.31	53.98	28.58	20.62	34.93	7/16-20	10.5	41.676	0.068
SCM 8 T	12.70	15.88	11.50	61.93	33.32	23.80	38.10	1/2-20	10	67.299	0.109
SCM 10 T	15.875	19.05	12.29	66.68	38.10	28.58	41.28	5/8-18	13	75.271	0.163
SCM 12 T	19.05	22.23	15.06	73.03	44.45	33.32	44.45	3/4-16	12	113.642	0.259

-For left-hand thread, please add suffix "L", e.g. GML 5 T.

-若是左旋螺纹，轴承型号需加“L”，例如：GML 5 T。

Rod ends CF..Y, CF..YS

杆端关节轴承

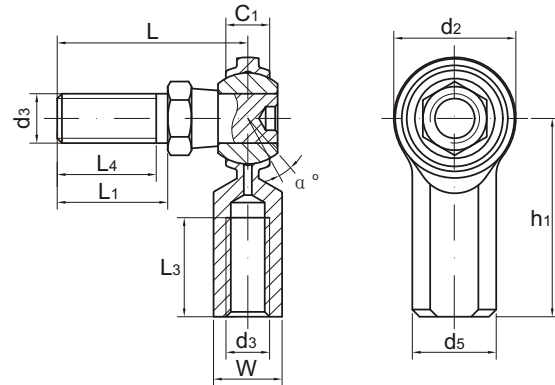


3-piece, maintenance required, inch dimensions

需润滑，英制尺寸

Housing: carbon steel, zinc plated, chromate treated
Ball: chrome steel, heat treated, precision ground, polished, hard chromium plated
Stud: low carbon steel, zinc plated
Sliding contact surface: steel/steel

壳体：碳钢，镀锌
 内圈：轴承钢，热处理，精磨，抛光，镀铬
 伸出杆：低碳钢，镀锌
 摩擦副：钢/钢



Part No. 型号	Dimensions 尺寸mm											Load ratings 负荷KN	Weight 重量Kg
	C ₁	h ₁	d ₂	D ₅	w	L ₃ min	L	L ₁	L ₄	d ₃ 3A/2B	α ≈		
CF 3Y*	5.94	26.97	15.88	10.31	7.92	12.70	25.40	12.70	11.10	10-32	25	9.247	0.023
CF 4Y	6.35	33.32	19.05	11.91	9.53	17.45	26.19	14.27	12.70	1/4-28	25	14.269	0.027
CF 5Y	7.92	34.93	22.23	12.70	11.10	17.45	30.96	17.45	15.06	5/16-24	25	17.009	0.050
CF 6Y	9.12	41.28	25.40	17.45	14.27	20.62	39.67	23.01	20.62	3/8-24	25	22.627	0.077
CF 7Y	10.31	46.02	28.58	19.05	15.88	23.80	44.45	26.97	23.80	7/16-20	25	28.400	0.122
CF 8Y	11.50	53.98	33.32	22.23	19.05	26.97	50.8	28.58	25.40	1/2-20	25	40.459	0.181
CF 10Y	12.29	63.50	38.10	25.40	22.23	34.93	63.5	38.10	34.93	5/8-18	25	43.203	0.308
CF 12Y	15.06	73.03	44.45	28.58	25.40	39.67	76.2	46.02	41.28	3/4-16	25	63.193	0.504

- For left-hand thread please add suffix "L", e.g. CFL 10Y.
- Lubricating hole or grease nipple isn't available for the sizes marked "*".
- When grease nipple is required for other sizes, please use the sign CF..YS.
- Load ratings apply only to rod ends without grease nipple.

- 若是左旋螺纹，型号需加“L”，例如：CFL10Y。
- 带“*”的型号均不配油孔或油杯。其余若需配油杯，请用CF..YS的代号
- 带中负荷值仅使用不带油杯的情况。

Rod ends with studs CM..Y, CM..YS



杆端关节轴承

3-piece, maintenance required, inch dimensions

需润滑, 英制尺寸

Housing: carbon steel, zinc plated, chromate treated

Ball: chrome steel, heat treated, precision ground, polished, hard chromium plated

Stud: low carbon steel, zinc plated

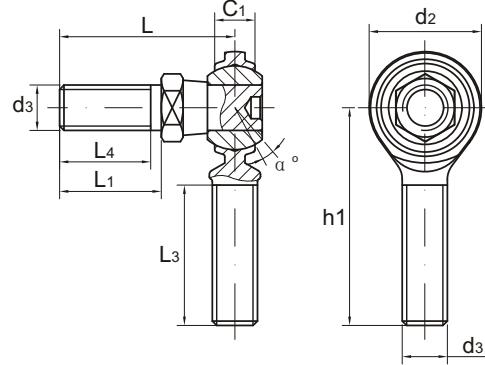
Sliding contact surface: steel/steel

壳体: 碳钢, 镀锌

内圈: 轴承钢, 热处理, 精磨, 抛光, 镀铬

伸出杆: 低碳钢, 镀锌

摩擦副: 钢/钢



Part No. 型号	Dimensions 尺寸mm									Load ratings 负荷KN	Weight 重量Kg
	C ₁	h ₁	d ₂	L ₃ min	L	L ₁	L ₄	d ₃ 3A	α ≈		
CM 3Y*	5.94	31.75	15.88	19.05	25.40	12.70	11.10	10-32	25	5.355	0.018
CM 4Y*	6.35	39.67	19.05	25.40	26.19	14.27	12.70	1/4-28	25	9.839	0.023
CM 5Y*	7.92	47.63	22.23	31.75	30.96	17.45	15.06	5/16-24	25	15.91	0.045
CM 6Y	9.12	49.23	25.40	31.75	39.67	23.01	20.62	3/8-24	25	22.542	0.068
CM 7Y	10.31	53.98	28.58	34.93	44.45	26.97	23.80	7/16-20	25	28.223	0.109
CM 8Y	11.50	61.93	33.32	38.10	50.80	25.58	25.40	1/2-20	25	37.087	0.159
CM 10Y	12.29	66.68	38.10	41.28	63.50	38.10	34.93	5/8-18	25	43.023	0.277
CM 12Y	15.06	73.03	44.45	44.45	76.20	46.02	41.28	3/4-16	25	63.193	0.467

-For left-hand thread, please add suffix "L", e.g. CML10Y.

-Lubricating hole or grease nipple isn't available for the sizes marked "*"

When grease nipple is required for other sizes, please use the sign CM..YS.

-Load ratings apply only to rod ends without grease nipple.

-若是左旋螺纹, 轴承型号需加 "L", 例如: CML 10Y。

-带 "*" 的型号均不配油孔或油杯, 其余若需配油杯, 请用CM..YS的代号。

-带中负荷值仅使用不带油杯的情况。

Rod ends with studs CF..TY, CF..TYS



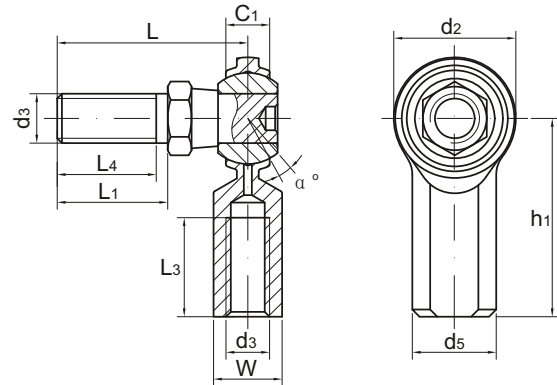
杆端关节轴承

3-piece, maintenance - free, inch dimensions

免维护，英制尺寸

Housing: carbon steel, zinc plated, chromate treated
Ball: chrome steel, heat treated, precision ground, polished, hard chromium plated
Stud: low carbon steel, zinc plated
Sliding contact surface: steel/PTFE

壳体：碳钢，镀锌
 内圈：轴承钢，热处理，精磨，抛光，镀铬
 伸出杆：低碳钢，镀锌
 摩擦副：钢/PTFE



Part No. 型号	Dimensions 尺寸mm											Load ratings 负荷KN	Weight 重量Kg
	C ₁	h ₁	d ₂	D ₅	w	L ₃ min	L	L ₁	L ₄	d ₃ 3A/2B	α ≈		
CF 3TY*	5.94	26.97	15.88	10.31	7.92	12.70	25.40	12.70	11.10	10-32	25	9.247	0.023
CF 4TY	6.35	33.32	19.05	11.91	9.53	17.45	26.19	14.27	12.70	1/4-28	25	14.269	0.027
CF 5TY	7.92	34.93	22.23	12.70	11.10	17.45	30.96	17.45	15.06	5/16-24	25	17.009	0.050
CF 6TY	9.12	41.28	25.40	17.45	14.27	20.62	39.67	23.01	20.62	3/8-24	25	22.627	0.077
CF 7TY	10.31	46.02	28.58	19.05	15.88	23.80	44.45	26.97	23.80	7/16-20	25	28.400	0.122
CF 8TY	11.50	53.98	33.32	22.23	19.05	26.97	50.8	28.58	25.40	1/2-20	25	40.459	0.181
CF 10TY	12.29	63.50	38.10	25.40	22.23	34.93	63.5	38.10	34.93	5/8-18	25	43.203	0.308
CF 12TY	15.06	73.03	44.45	28.58	25.40	39.67	76.2	46.02	41.28	3/4-16	25	63.193	0.504

- For left-hand thread please add suffix "L", e.g. CFL 10TY.
- Lubricating hole or grease nipple isn't available for the sizes marked "*".
- When grease nipple is required for other sizes, please use the sign CF..TYS.
- Load ratings apply only to rod ends without grease nipple.

- 若是左旋螺纹，需加“L”，例如：CFL10Y。
- 带“*”的型号均不配油孔或油杯。其余若需配油杯，请用CF..YS的代号
- 带中负荷值仅使用不带油杯的情况。

Rod ends with studs CM..TY, CM..TYS



杆端关节轴承

3-piece, maintenance - free, inch dimensions

免维护，英制尺寸

Housing: carbon steel, zinc plated, chromate treated

Ball: chrome steel, heat treated, precision ground, polished, hard chromium plated

Stud: low carbon steel, zinc plated

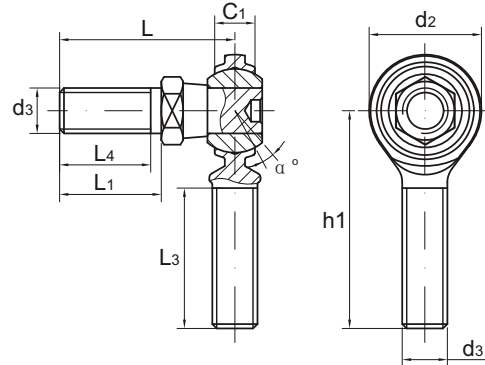
Sliding contact surface: steel/PTFE

壳体：碳钢，镀锌

内圈：轴承钢，热处理，精磨，抛光，镀铬

伸出杆：低碳钢，镀锌

摩擦副：钢/PTFE



Part No. 型号	Dimensions 尺寸mm									Load ratings 负荷KN	Weight 重量Kg
	C ₁	h ₁	d ₂	L ₃ min	L	L ₁	L ₄	d ₃ 3A	α ≈		
CM 3TY*	5.94	31.75	15.88	19.05	25.40	12.70	11.10	10-32	25	5.355	0.018
CM 4TY*	6.35	39.67	19.05	25.40	26.19	14.27	12.70	1/4-28	25	9.839	0.023
CM 5TY*	7.92	47.63	22.23	31.75	30.96	17.45	15.06	5/16-24	25	15.91	0.045
CM 6TY	9.12	49.23	25.40	31.75	39.67	23.01	20.62	3/8-24	25	22.542	0.068
CM 7TY	10.31	53.98	28.58	34.93	44.45	26.97	23.80	7/16-20	25	28.223	0.109
CM 8TY	11.50	61.93	33.32	38.10	50.80	25.58	25.40	1/2-20	25	37.087	0.159
CM 10TY	12.29	66.68	38.10	41.28	63.50	38.10	34.93	5/8-18	25	43.023	0.277
CM 12TY	15.06	73.03	44.45	44.45	76.20	46.02	41.28	3/4-16	25	63.193	0.467

-For left-hand thread, please add suffix "L", e.g. CML10TY.

-Lubricating hole or grease nipple isn't available for the sizes marked "*".

-When grease nipple is required for other sizes, please use the sign CM..TYS.

-Load ratings apply only to rod ends without grease nipple.

-若是左旋螺纹，轴承型号需加“L”，例如：CML10TY

-带“*”的型号均不配油孔或油杯，其余若需配油杯，请用CML10TYS的代号。

-带中负荷值仅使用不带油杯的情况。

Rod ends POS

杆端关节轴承



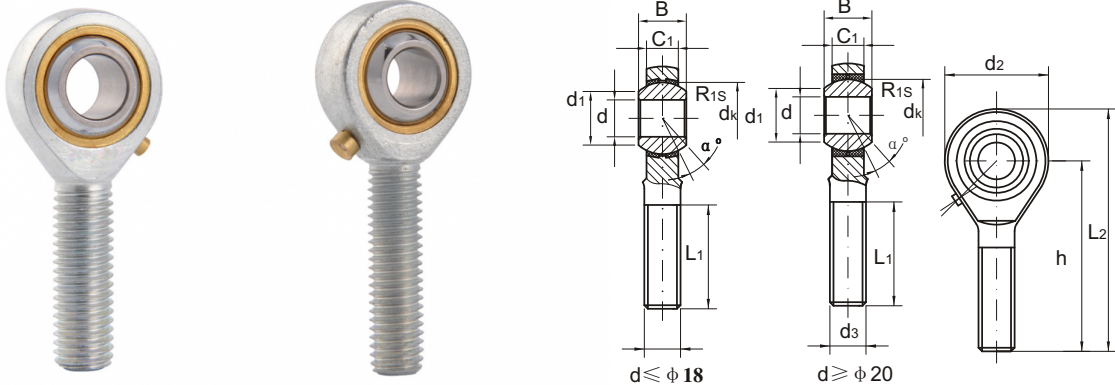
4-piece & 3-piece, maintenance required, metric dimensions

需润滑，公制尺寸

DIN ISO 12 240-4-series K, form M

Body: carbon steel, zinc plated, chrome plated
Ball: chrome steel, heat treated, precision ground, polished
Race: brass
Sliding contact surface: steel/brass

壳体：碳钢，锌铬酸盐处理
 内圈：轴承钢，热处理硬度HRC58-62
 衬套：黄铜
 摩擦副：钢/黄铜



Part No. 型号	Dimensions 尺寸mm											Load ratings 负荷KN		Weight 重量Kg	
	d	d ₃ 6 _g	B	C ₁	L ₁ min	d ₂	h	L ₂	dk	R _{1s}	d ₁	α ≈	dyn. 动 C _d		stat. 静 C _s
POS 5	5	M5×0.8	8	6	20	16	33	41	11.11	0.3	7.70	13	3.25	5.70	0.013
POS 6	6	M6×1.0	9	6.75	22	18	36	45	12.70	0.3	8.96	13	4.30	7.20	0.020
POS 8	8	M8×1.25	12	9	25	22	42	53	15.875	0.3	10.4	14	7.20	11.6	0.030
POS 10	10	M10×1.5	14	10.5	29	26	48	61	19.05	0.3	12.9	13	10	14.5	0.055
POS 12	12	M12×1.75	16	12	33	30	54	69	22.225	0.3	15.4	13	13.4	17	0.085
POS 12-1	12	M12×1.25	16	12	33	30	54	69	22.225	0.3	15.4	13	13.4	17	0.085
POS 14	14	M14×2.0	19	13.5	36	34	60	77	25.40	0.3	16.9	16	17	24	0.14
POS 16	16	M16×2.0	21	15	40	40	66	86	28.575	0.3	19.4	15	21.6	28.5	0.21
POS 16-1	16	M16×1.5	21	15	40	40	66	86	28.575	0.3	19.4	15	21.6	28.5	0.21
POS 18	18	M18×1.5	23	16.5	44	44	72	94	31.75	0.3	21.9	15	26	42.5	0.28
POS 20	20	M20×1.5	25	18	47	50	78	103	34.925	0.3	24.4	14	31.5	52.5	0.38
POS 22	22	M22×1.5	28	20	51	54	84	111	38.10	0.3	25.8	15	38	57	0.48
POS 25	25	M24×2.0	31	22	57	60	94	124	42.86	0.3	29.6	15	47.5	68	0.64
POS 28	28	M27×2.0	35	24	62	66	103	136	47.63	0.3	32.3	15	58	75.5	0.96
POS 30	30	M30×2.0	37	25	66	70	110	145	50.8	0.3	34.8	17	64	88	1.10

-For left-hand thread, please add suffix "L", e.g. POSL 8.

-若是左旋螺纹，轴承型号需加“L”，例如：POSL 8。

Rod ends JF

杆端关节轴承

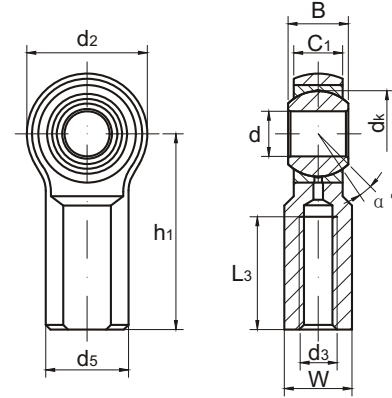


3-piece, maintenance required, inch dimensions

需润滑，英制尺寸

Housing: carbon steel,zinc plated,chromate treated
Inner ring: chrome steel, heat treated HRC58-64,precision ground,polished
Outer ring: carbon steel alloy
Sliding contact surface: steel/steel

壳体：碳钢，镀锌
 内圈：轴承钢，热处理硬度HRC58-64，精磨，抛光
 外圈：碳钢
 摩擦副：钢/钢



Part No. 型号	Dimensions 尺寸mm											Load ratings 负荷KN	Weight 重量Kg
	d	B	C ₁	h ₁	d ₂	d ₅	W	d _k	L ₃ min	d ₃ 2B	α ≈		
JF 2*	3.175	6.35	4.75	20.62	12.70	7.92	6.35	7.92	11.10	6-32	8	5.344	0.009
JF 3*	4.826	7.92	6.35	26.97	15.88	10.31	7.92	11.1	14.27	10-32	6.5	6.805	0.017
JF 4*	6.35	9.53	7.14	33.32	19.05	11.91	9.53	12.7	19.05	1/4-28	8	11.297	0.027
JF 5*	7.938	11.1	8.74	34.93	22.23	12.70	11.1	15.88	19.05	5/16-24	7	13.934	0.042
JF 6	9.525	12.7	10.31	41.28	25.40	17.45	14.27	18.26	23.80	3/8-24	6	17.416	0.069
JF 7	11.113	14.27	11.10	46.02	28.58	19.05	15.88	20.62	26.97	7/16-20	7	18.759	0.090
JF 8	12.70	15.88	12.70	53.98	33.32	22.23	19.05	23.80	30.15	1/2-20	6	29.624	0.149
JF 10	15.875	19.05	14.27	63.50	38.10	25.40	22.23	28.58	38.10	5/8-18	8	32.752	0.216
JF 12	19.05	22.23	17.45	73.03	44.45	28.58	25.40	33.32	44.45	3/4-16	7	51.237	0.328
JF 14	22.225	22.23	19.43	85.73	50.80	33.02	28.58	33.32	47.63	7/8-14	3.5	82.185	0.467
JF 14-1	22.225	22.23	17.45	88.90	50.80	33.32	30.15	33.32	46.02	7/8-14	6	101.601	0.467
JF 16	25.4	34.93	25.4	104.78	69.85	41.28	38.1	47.63	53.98	1 1/4-12	8.5	193.67	0.964
JF 16-1	25.4	34.93	25.4	104.78	69.85	41.28	38.1	47.63	53.98	1-14	8.5	193.67	1.093
JF 16-2	25.4	34.93	25.4	104.78	69.85	41.28	38.1	47.63	53.98	1-12	8.5	193.67	1.093

For grease fittings add "Z" to suffix. Example: JF6Z
 For studs add "Y" to suffix. Example: JF5Y
 For teflon liner add "T" to suffix. Example: JF12T
 Can supply rod ends with different pitch or accuracy of thread.
 For left-hand thread, suffix "L" is added to bearing numbers. e.g.:JFL12T 3/4-16L

油杯：后缀“Z”。例如：JF6Z
 带伸出杆：后缀“Y”。例如：JF6Y
 免维护PTFE：后缀“T”。例如：JF6T
 左旋：后缀“L”。例如：JFL12T 4/3/4-16L

Rod ends JM

杆端关节轴承

3-piece, maintenance required, inch dimensions

需润滑, 英制尺寸

Housing: carbon steel, zinc plated

Inner ring: chrome steel, heat treated HRC58-64, hard chrome plated

outer ring: carbon steel

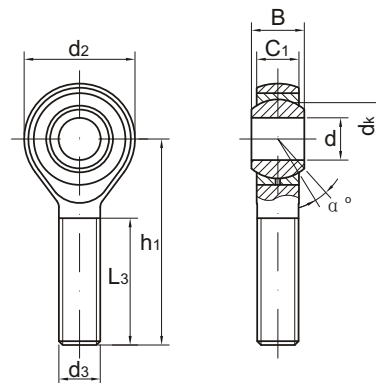
Sliding contact surface: steel/steel

壳体: 碳钢, 镀锌

内圈: 轴承钢, 热处理硬度HRC58-64, 镀铬

外圈: 碳钢, 冲压成形

摩擦副: 钢/钢



Part No. 型号	Dimensions 尺寸mm									Load ratings 负荷KN	Weight 重量Kg
	d	B	C ₁	h ₁	d ₂	d _k	L ₃ min	d ₃ 3A	α ≈		
JM 2*	3.175	6.35	4.75	23.80	12.70	7.92	14.27	6-32	8	2.236	0.006
JM 3*	4.826	7.92	6.35	31.75	15.88	11.1	19.05	10-32	6.5	5.197	0.013
JM 4*	6.350	9.53	7.14	39.67	19.05	12.7	25.40	1/4-28	8	9.60	0.020
JM 5*	7.938	11.1	8.74	47.63	22.23	15.88	31.75	5/16-24	7	12.385	0.033
JM 6	9.525	12.7	10.31	49.23	25.40	18.26	31.75	3/8-24	6	17.416	0.051
JM 7	11.113	14.27	11.10	53.98	28.58	20.62	34.93	7/16-20	7	18.759	0.073
JM 8	12.70	15.88	12.70	61.93	33.32	23.80	38.10	1/2-20	6	29.624	0.113
JM 10	15.875	19.05	14.27	66.68	38.10	28.58	41.28	5/8-18	8	32.752	0.173
JM 12	19.05	22.23	17.45	73.03	44.45	33.32	44.45	3/4-16	7	51.237	0.273
JM 14	22.225	22.23	19.43	85.73	50.80	33.32	50.80	7/8-14	3.5	82.185	0.411
JM 14-1	22.225	22.23	17.45	85.73	50.80	33.32	47.63	7/8-14	6	101.601	0.411
JM 16	25.4	34.93	25.4	104.78	69.85	47.63	53.98	11/4-12	8.5	193.67	1.091
JM 16-1	25.4	34.93	25.4	104.78	69.85	47.63	53.98	1-14	8.5	193.67	0.965
JM 16-2	25.4	34.93	25.4	104.78	69.85	47.63	53.98	1-12	8.5	193.67	0.965

For grease fittings add "Z" to suffix. Example: JM12Z

For studs add "Y" to suffix. Example: JM12Y

For teflon liner add "T" to suffix. Example: JM12T

Can supply rod ends with different pitch or accuracy of thread.

For left-hand thread, suffix "L" is added to bearing numbers. e.g.: JML12T 3/4-16L

油杯: 后缀 "Z". 例如: JM12Z

带伸出杆: 后缀 "Y". 例如: JM12Y

免维护PTFE: 后缀 "T". 例如: JM12T

左旋: 后缀 "L". 例如: JML12T 4/3/4-16L

Rod ends JF...T

杆端关节轴承

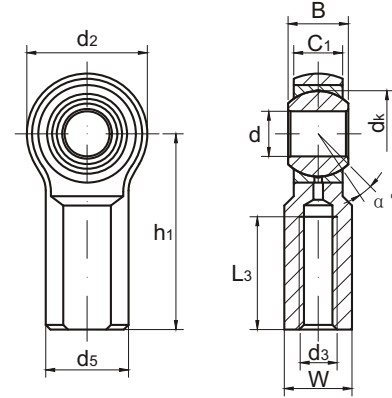


3-piece, maintenance - free, inch dimensions

免维护，英制尺寸

Housing: carbon steel, zinc plated
Inner ring: chrome steel, heat treated HRC58-64, hard chrome plated
Outer ring: carbon steel, lined PTFE
Sliding contact surface: steel/PTFE

壳体：碳钢，镀锌
 内圈：轴承钢，热处理硬度HRC58-64，镀铬
 外圈：碳钢
 摩擦副：钢/PTFE



Part No. 型号	Dimensions 尺寸mm											Load ratings 负荷KN	Weight 重量Kg
	d	B	C ₁	h ₁	d ₂	d ₅	W	d _k	L ₃ min	d ₃ 2B	α ≈		
JF 2T*	3.175	6.35	4.75	20.62	12.70	7.92	6.35	7.92	11.10	6-32	8	5.344	0.009
JF T	4.826	7.92	6.35	26.97	15.88	10.31	7.92	11.1	14.27	10-32	6.5	6.805	0.017
JF 4T*	6.35	9.53	7.14	33.32	19.05	11.91	9.53	12.7	19.05	1/4-28	8	11.297	0.027
JF 5T*	7.938	11.1	8.74	34.93	22.23	12.70	11.1	15.88	19.05	5/16-24	7	13.934	0.042
JF 6T	9.525	12.7	10.31	41.28	25.40	17.45	14.27	18.26	23.80	3/8-24	6	17.416	0.069
JF 7T	11.113	14.27	11.10	46.02	28.58	19.05	15.88	20.62	26.97	7/16-20	7	18.759	0.090
JF 8T	12.70	15.88	12.70	53.98	33.32	22.23	19.05	23.80	30.15	1/2-20	6	29.624	0.149
JF 10T	15.875	19.05	14.27	63.50	38.10	25.40	22.23	28.58	38.10	5/8-18	8	32.752	0.216
JF 12T	19.05	22.23	17.45	73.03	44.45	28.58	25.40	33.32	44.45	3/4-16	7	51.237	0.328
JF 1T4	22.225	22.23	19.43	85.73	50.80	33.02	28.58	33.32	47.63	7/8-14	3.5	82.185	0.467
JF 14-1T	22.225	22.23	17.45	88.90	50.80	33.32	30.15	33.32	46.02	7/8-14	6	101.601	0.467
JF 16T	25.4	34.93	25.4	104.78	69.85	41.28	38.1	47.63	53.98	1 1/4-12	8.5	193.67	0.964
JF 16-1T	25.4	34.93	25.4	104.78	69.85	41.28	38.1	47.63	53.98	1-14	8.5	193.67	1.093
JF 16-2T	25.4	34.93	25.4	104.78	69.85	41.28	38.1	47.63	53.98	1-12	8.5	193.67	1.093

For grease fittings add "Z" to suffix. Example: JF6TZ
 For studs add "Y" to suffix. Example: JF5TY
 For teflon liner add "T" to suffix. Example: JF12T
 Can supply rod ends with different pitch or accuracy of thread.
 For left-hand thread, suffix "L" is added to bearing numbers. e.g.:JFL12T 3/4-16L

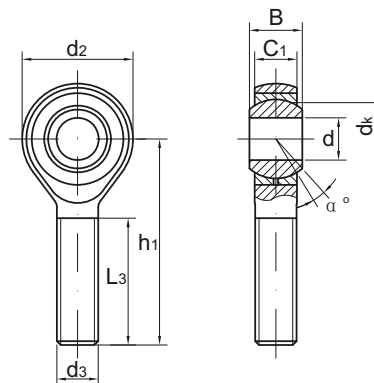
油杯：后缀“Z”。例如：JF6TZ
 带伸出杆：后缀“Y”。例如：JF6TY
 免维护PTFE：后缀“T”。例如：JF6T
 左旋：后缀“L”。例如：JFL12T 4/3/4-16L

3-piece, maintenance - free, inch dimensions

免维护，英制尺寸

Housing: carbon steel, zinc plated
Inner ring: chrome steel, heat treated HRC58-64, hard chrome plated
Outer ring: carbon steel, lined PTFE
Sliding contact surface: steel/PTFE

壳体：碳钢，镀锌
 内圈：轴承钢，热处理硬度HRC58-64，镀铬
 外圈：碳钢
 摩擦副：钢/PTFE



Part No. 型号	Dimensions 尺寸mm									Load ratings 负荷KN	Weight 重量Kg
	d	B	C ₁	h ₁	d ₂	d _k	L ₃ min	d ₃ 3A	α ≈		
JM 2T*	3.175	6.35	4.75	23.80	12.70	7.92	14.27	6-32	8	2.236	0.006
JM 3T*	4.826	7.92	6.35	31.75	15.88	11.1	19.05	10-32	6.5	5.197	0.013
JM 4T*	6.350	9.53	7.14	39.67	19.05	12.7	25.40	1/4-28	8	9.60	0.020
JM 5T*	7.938	11.1	8.74	47.63	22.23	15.88	31.75	5/16-24	7	12.385	0.033
JM 6T	9.525	12.7	10.31	49.23	25.40	18.26	31.75	3/8-24	6	17.416	0.051
JM 7T	11.113	14.27	11.10	53.98	28.58	20.62	34.93	7/16-20	7	18.759	0.073
JM 8T	12.70	15.88	12.70	61.93	33.32	23.80	38.10	1/2-20	6	29.624	0.113
JM 10T	15.875	19.05	14.27	66.68	38.10	28.58	41.28	5/8-18	8	32.752	0.173
JM 12T	19.05	22.23	17.45	73.03	44.45	33.32	44.45	3/4-16	7	51.237	0.273
JM 14T	22.225	22.23	19.43	85.73	50.80	33.32	50.80	7/8-14	3.5	82.185	0.411
JM 14-1T	22.225	22.23	17.45	85.73	50.80	33.32	47.63	7/8-14	6	101.601	0.411
JM 16T	25.4	34.93	25.4	104.78	69.85	47.63	53.98	11/4-12	8.5	193.67	1.091
JM 16-1T	25.4	34.93	25.4	104.78	69.85	47.63	53.98	1-14	8.5	193.67	0.965
JM 16-2T	25.4	34.93	25.4	104.78	69.85	47.63	53.98	1-12	8.5	193.67	0.965

For grease fittings add "Z" to suffix. Example: JM12TZ

For studs add "Y" to suffix. Example: JM12TY

For teflon liner add "T" to suffix. Example: JM12T

Can supply rod ends with different pitch or accuracy of thread.

For left-hand thread, suffix "L" is added to bearing numbers. e.g.: JML12T 3/4-16L

油杯：后缀“Z”，例如：JM12TZ

带伸出杆：后缀“Y”，例如：JM12TY

免维护PTFE：后缀“T”，例如：JM12T

左旋：后缀“L”，例如：JML12T 4/3/4-16L

Rod ends SJF...T

杆端关节轴承

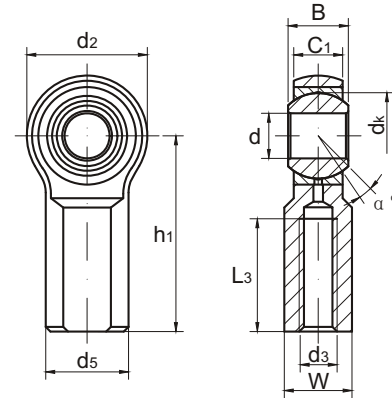


3-piece, stainless steel, high strength, PTFE lined, inch

不锈钢, 免维护, 英制尺寸

Body: 17-4PH(SUS630) stainless steel, heat treated
Ball: 440 stainless steel, heat treated HRC56, precision ground, polished
Race: 17-4PH(SUS630) stainless steel, heat treated
Liner: PTFE composite, PTFE fabric
Sliding contact surface: steel/PTFE

壳体: 17-4PH(SUS630) 不锈钢
 内圈: 440 不锈钢, 热处理硬度HRC56, 精磨, 抛光
 外圈: 17-4PH(SUS630) 不锈钢
 摩擦副: 钢/PTFE



Part No. 型号	Dimensions 尺寸mm											Load ratings 负荷KN	Weight 重量Kg
	d	B	C ₁	h ₁	d ₂	d ₅	W	d _k	L ₃ min	d ₃ 2B	α ≈		
JF 4T*	6.35	9.53	7.14	33.32	19.05	11.91	9.53	12.7	19.05	1/4-28	8	11.297	0.027
JF 5T*	7.938	11.1	8.74	34.93	22.23	12.70	11.1	15.88	19.05	5/16-24	7	13.934	0.042
JF 6T	9.525	12.7	10.31	41.28	25.40	17.45	14.27	18.26	23.80	3/8-24	6	17.416	0.069
JF 7T	11.113	14.27	11.10	46.02	28.58	19.05	15.88	20.62	26.97	7/16-20	7	18.759	0.090
JF 8T	12.70	15.88	12.70	53.98	33.32	22.23	19.05	23.80	30.15	1/2-20	6	29.624	0.149
JF 10T	15.875	19.05	14.27	63.50	38.10	25.40	22.23	28.58	38.10	5/8-18	8	32.752	0.216
JF 12T	19.05	22.23	17.45	73.03	44.45	28.58	25.40	33.32	44.45	3/4-16	7	51.237	0.328

For grease fittings add "Z" to suffix. Example: JF6TZ
 For studs add "Y" to suffix. Example: JF5TY
 For teflon liner add "T" to suffix. Example: JF12T
 Can supply rod ends with different pitch or accuracy of thread.
 For left-hand thread, suffix "L" is added to bearing numbers. e.g.: JFL12T 3/4-16L

油杯: 后缀 "Z". 例如: JF6TZ
 带伸出杆: 后缀 "Y". 例如: JF6TY
 免维护PTFE: 后缀 "T". 例如: JF6T
 左旋: 后缀 "L". 例如: JFL12T 4/3/4-16L

Rod ends SJM...T

杆端关节轴承

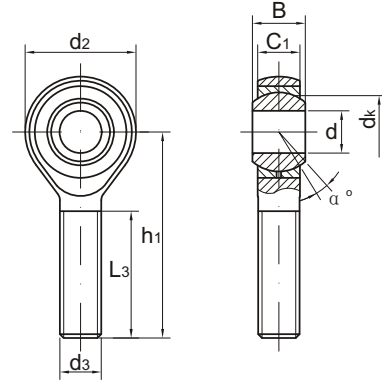


3-piece, maintenance - free, inch dimensions

免维护，英制尺寸

Body: 17-4PH(SUS630) stainless steel, heat treated
Ball: 440 stainless steel, heat treated HRC56, precision ground, polished
Race: 17-4PH(SUS630) stainless steel, heat treated
Liner: PTFE composite, PTFE fabric
Sliding contact surface: steel/PTFE

壳体: 17-4PH (SUS630) 不锈钢
 内圈: 440 不锈钢, 热处理硬度 HRC56, 精磨, 抛光
 外圈: 17-4PH (SUS630) 不锈钢
 摩擦副: 钢/PTFE



Part No. 型号	Dimensions 尺寸mm									Load ratings 负荷KN	Weight 重量Kg
	d	B	C ₁	h ₁	d ₂	d _k	L ₃ min	d ₃ 3A	α ≈		
JM 2T*	3.175	6.35	4.75	23.80	12.70	7.92	14.27	6-32	8	2.236	0.006
JM 3T*	4.826	7.92	6.35	31.75	15.88	11.1	19.05	10-32	6.5	5.197	0.013
JM 4T*	6.350	9.53	7.14	39.67	19.05	12.7	25.40	1/4-28	8	9.60	0.020
JM 5T*	7.938	11.1	8.74	47.63	22.23	15.88	31.75	5/16-24	7	12.385	0.033
JM 6T	9.525	12.7	10.31	49.23	25.40	18.26	31.75	3/8-24	6	17.416	0.051
JM 7T	11.113	14.27	11.10	53.98	28.58	20.62	34.93	7/16-20	7	18.759	0.073
JM 8T	12.70	15.88	12.70	61.93	33.32	23.80	38.10	1/2-20	6	29.624	0.113
JM 10T	15.875	19.05	14.27	66.68	38.10	28.58	41.28	5/8-18	8	32.752	0.173
JM 12T	19.05	22.23	17.45	73.03	44.45	33.32	44.45	3/4-16	7	51.237	0.273
JM 14T	22.225	22.23	19.43	85.73	50.80	33.32	50.80	7/8-14	3.5	82.185	0.411
JM 14-1T	22.225	22.23	17.45	85.73	50.80	33.32	47.63	7/8-14	6	101.601	0.411
JM 16T	25.4	34.93	25.4	104.78	69.85	47.63	53.98	11/4-12	8.5	193.67	1.091
JM 16-1T	25.4	34.93	25.4	104.78	69.85	47.63	53.98	1-14	8.5	193.67	0.965
JM 16-2T	25.4	34.93	25.4	104.78	69.85	47.63	53.98	1-12	8.5	193.67	0.965

For grease fittings add "Z" to suffix. Example: JM12TZ

For studs add "Y" to suffix. Example: JM12TY

For teflon liner add "T" to suffix. Example: JM12T

Can supply rod ends with different pitch or accuracy of thread.

For left-hand thread, suffix "L" is added to bearing numbers. e.g.: JML12T 3/4-16L

油杯: 后缀 "Z". 例如: JM12TZ

带伸出杆: 后缀 "Y". 例如: JM12TY

免维护 PTFE: 后缀 "T". 例如: JM12T

左旋: 后缀 "L". 例如: JML12T 4/3/4-16L

Rod ends JF...F, JF..FS

杆端关节轴承



3-piece, sintered bronze, maintenance required, inch dimensions

需润滑，英制尺寸

Housing: carbon steel, zinc plated

Inner ring: chrome steel, heat treated HRC57-61, hard chrome plated

outer ring: sintered bronze

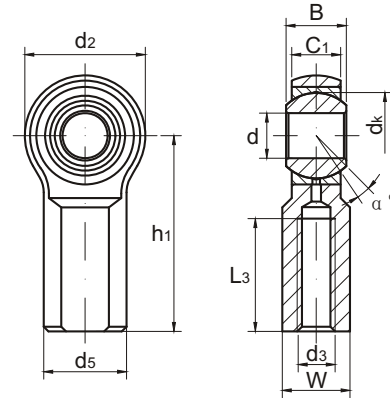
Sliding contact surface: steel/bronze

壳体：碳钢，镀锌

内圈：轴承钢，热处理硬度HRC57-61，镀铬

外圈：青铜

摩擦副：钢/青铜



Part No. 型号	Dimensions 尺寸mm											Load ratings 负荷KN	Weight 重量Kg
	d	B	C ₁	h ₁	d ₂	d ₅	W	d _k	L ₃ min	d ₃ 2B	α ≈		
JF 2F*	3.175	6.35	4.75	20.62	12.70	7.92	6.35	7.92	11.10	6-32	8	5.344	0.009
JF 3F*	4.826	7.92	6.35	26.97	15.88	10.31	7.92	11.1	14.27	10-32	6.5	6.805	0.017
JF 4F*	6.35	9.53	7.14	33.32	19.05	11.91	9.53	12.7	19.05	1/4-28	8	11.297	0.027
JF 5F*	7.938	11.1	8.74	34.93	22.23	12.70	11.1	15.88	19.05	5/16-24	7	13.934	0.042
JF 6F	9.525	12.7	10.31	41.28	25.40	17.45	14.27	18.26	23.80	3/8-24	6	17.416	0.069
JF 7F	11.113	14.27	11.10	46.02	28.58	19.05	15.88	20.62	26.97	7/16-20	7	18.759	0.090
JF 8F	12.70	15.88	12.70	53.98	33.32	22.23	19.05	23.80	30.15	1/2-20	6	29.624	0.149
JF 10F	15.875	19.05	14.27	63.50	38.10	25.40	22.23	28.58	38.10	5/8-18	8	32.752	0.216
JF 12F	19.05	22.23	17.45	73.03	44.45	28.58	25.40	33.32	44.45	3/4-16	7	51.237	0.328
JF 14F	22.225	22.23	19.43	85.73	50.80	33.02	28.58	33.32	47.63	7/8-14	3.5	82.185	0.467
JF 14-1F	22.225	22.23	17.45	88.90	50.80	33.32	30.15	33.32	46.02	7/8-14	6	101.601	0.467
JF 16F	25.4	34.93	25.4	104.78	69.85	41.28	38.1	47.63	53.98	1 1/4-12	8.5	193.67	0.964
JF 16-1F	25.4	34.93	25.4	104.78	69.85	41.28	38.1	47.63	53.98	1-14	8.5	193.67	1.093
JF 16-2F	25.4	34.93	25.4	104.78	69.85	41.28	38.1	47.63	53.98	1-12	8.5	193.67	1.093

-For left-hand thread, please add suffix"L", e.g. JFL10F.

-Lubricating hole or grease nipple isn't available for the sizes marked"*"

When grease nipple is required for other sizes, please use the sign JF..FS.

-Load ratings apply only to rod ends without grease nipple.

-若是左旋螺纹，轴承型号需加“L”，例如：JFL10F。

-带“*”的型号均不配油孔或油杯，其余若需配油杯，请用JF...FS的代号。

-带中负荷值仅使用不带油杯的情况。

Rod ends JM...F, JM..FS

杆端关节轴承

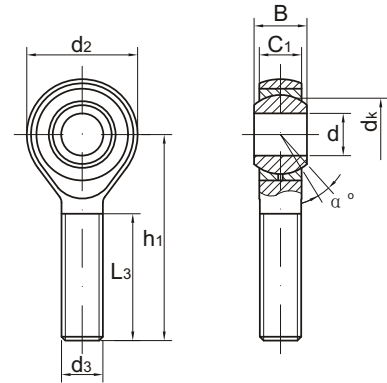


3-piece, sintered bronze, maintenance required, inch dimensions

需润滑, 英制尺寸

Housing: carbon steel, zinc plated
Inner ring: chrome steel, heat treated HRC57-61, hard chrome plated
outer ring: sintered bronze
Sliding contact surface: steel/bronze

壳体: 碳钢, 镀锌
 内圈: 轴承钢, 热处理硬度HRC57-61, 镀铬
 外圈: 青铜
 摩擦副: 钢/青铜



Part No. 型号	Dimensions 尺寸mm									Load ratings 负荷KN	Weight 重量Kg
	d	B	C ₁	h ₁	d ₂	d _k	L ₃ min	d ₃ 3A	α ≈		
JM 2F*	3.175	6.35	4.75	23.80	12.70	7.92	14.27	6-32	8	2.236	0.006
JM 3F*	4.826	7.92	6.35	31.75	15.88	11.1	19.05	10-32	6.5	5.197	0.013
JM 4F*	6.350	9.53	7.14	39.67	19.05	12.7	25.40	1/4-28	8	9.60	0.020
JM 5F*	7.938	11.1	8.74	47.63	22.23	15.88	31.75	5/16-24	7	12.385	0.033
JM 6F	9.525	12.7	10.31	49.23	25.40	18.26	31.75	3/8-24	6	17.416	0.051
JM 7F	11.113	14.27	11.10	53.98	28.58	20.62	34.93	7/16-20	7	18.759	0.073
JM 8F	12.70	15.88	12.70	61.93	33.32	23.80	38.10	1/2-20	6	29.624	0.113
JM 10F	15.875	19.05	14.27	66.68	38.10	28.58	41.28	5/8-18	8	32.752	0.173
JM 12F	19.05	22.23	17.45	73.03	44.45	33.32	44.45	3/4-16	7	51.237	0.273
JM 14F	22.225	22.23	19.43	85.73	50.80	33.32	50.80	7/8-14	3.5	82.185	0.411
JM 14-1F	22.225	22.23	17.45	85.73	50.80	33.32	47.63	7/8-14	6	101.601	0.411
JM 16F	25.4	34.93	25.4	104.78	69.85	47.63	53.98	11/4-12	8.5	193.67	1.091
JM 16-1F	25.4	34.93	25.4	104.78	69.85	47.63	53.98	1-14	8.5	193.67	0.965
JM 16-2F	25.4	34.93	25.4	104.78	69.85	47.63	53.98	1-12	8.5	193.67	0.965

-For left-hand thread, please add suffix "L", e.g. JML 10 F.

-Lubricating hole or grease nipple isn't available for the sizes marked "*"

When grease nipple is required for other sizes, please use the sign JM..FS.

-Load ratings apply only to rod ends without grease nipple.

-若是左旋螺纹, 轴承型号需加 "L", 例如: JM10F。

-带 "*" 的型号均不配油孔或油杯, 其余若需配油杯, 请用 JM..FS 的代号。

-带中负荷值仅使用不带油杯的情况。

Rod ends JF...M

杆端关节轴承

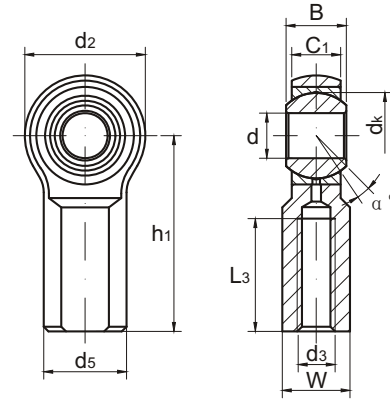


3-piece, brass race, maintenance required, inch dimensions

需润滑，英制尺寸

Housing: carbon steel, zinc plated
Inner ring: chrome steel, heat treated HRC57-61, hard chrome plated
Outer ring: brass
Sliding contact surface: steel/brass

壳体: 碳钢, 镀锌
 内圈: 轴承钢, 热处理硬度HRC57-61, 镀铬
 外圈: 黄铜
 摩擦副: 钢/黄铜



Part No. 型号	Dimensions 尺寸mm											Load ratings 负荷KN	Weight 重量Kg
	d	B	C ₁	h ₁	d ₂	d ₅	W	d _k	L ₃ min	d ₃ 2B	α ≈		
JF 2M*	3.175	6.35	4.75	20.62	12.70	7.92	6.35	7.92	11.10	6-32	8	5.344	0.009
JF 3M*	4.826	7.92	6.35	26.97	15.88	10.31	7.92	11.1	14.27	10-32	6.5	6.805	0.017
JF 4M*	6.35	9.53	7.14	33.32	19.05	11.91	9.53	12.7	19.05	1/4-28	8	11.297	0.027
JF 5M*	7.938	11.1	8.74	34.93	22.23	12.70	11.1	15.88	19.05	5/16-24	7	13.934	0.042
JF 6M	9.525	12.7	10.31	41.28	25.40	17.45	14.27	18.26	23.80	3/8-24	6	17.416	0.069
JF 7M	11.113	14.27	11.10	46.02	28.58	19.05	15.88	20.62	26.97	7/16-20	7	18.759	0.090
JF 8M	12.70	15.88	12.70	53.98	33.32	22.23	19.05	23.80	30.15	1/2-20	6	29.624	0.149
JF 10M	15.875	19.05	14.27	63.50	38.10	25.40	22.23	28.58	38.10	5/8-18	8	32.752	0.216
JF 12M	19.05	22.23	17.45	73.03	44.45	28.58	25.40	33.32	44.45	3/4-16	7	51.237	0.328
JF 14M	22.225	22.23	19.43	85.73	50.80	33.02	28.58	33.32	47.63	7/8-14	3.5	82.185	0.467
JF 14-1M	22.225	22.23	17.45	88.90	50.80	33.32	30.15	33.32	46.02	7/8-14	6	101.601	0.467
JF 16M	25.4	34.93	25.4	104.78	69.85	41.28	38.1	47.63	53.98	1 1/4-12	8.5	193.67	0.964
JF 16-1M	25.4	34.93	25.4	104.78	69.85	41.28	38.1	47.63	53.98	1-14	8.5	193.67	1.093
JF 16-2M	25.4	34.93	25.4	104.78	69.85	41.28	38.1	47.63	53.98	1-12	8.5	193.67	1.093

- For left-hand thread, please add suffix"L", e.g. JFL10M.
- Lubricating hole or grease nipple isn't available for the sizes marked"*"
- When grease nipple is required for other sizes, please use the sign JF..MS.
- Load ratings apply only to rod ends without grease nipple.
- 若是左旋螺纹，轴承型号需加“L”，例如：JFL10M。
- 带“*”的型号均不配油孔或油杯，其余若需配油杯，请用JF...MS的代号。
- 带中负荷值仅使用不带油杯的情况。

Rod ends JM...M, JM..MS

杆端关节轴承

3-piece, bass race, maintenance required, inch dimensions

需润滑，英制尺寸

Housing: carbon steel, zinc plated

Inner ring: chrome steel, heat treated HRC57-61, hard chrome plated

outer ring: brass

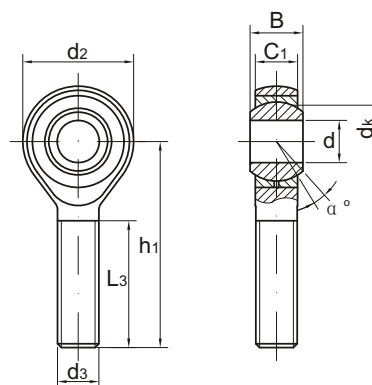
Sliding contact surface: steel/brass

壳体：碳钢，镀锌

内圈：轴承钢，热处理硬度HRC57-61，镀铬

外圈：黄铜

摩擦副：钢/黄铜



Part No. 型号	Dimensions 尺寸mm									Load ratings 负荷KN	Weight 重量Kg
	d	B	C ₁	h ₁	d ₂	d _k	L ₃ min	d ₃ 3A	α ≈		
JM 2M*	3.175	6.35	4.75	23.80	12.70	7.92	14.27	6-32	8	2.236	0.006
JM 3M*	4.826	7.92	6.35	31.75	15.88	11.1	19.05	10-32	6.5	5.197	0.013
JM 4M*	6.350	9.53	7.14	39.67	19.05	12.7	25.40	1/4-28	8	9.60	0.020
JM 5M*	7.938	11.1	8.74	47.63	22.23	15.88	31.75	5/16-24	7	12.385	0.033
JM 6M	9.525	12.7	10.31	49.23	25.40	18.26	31.75	3/8-24	6	17.416	0.051
JM 7M	11.113	14.27	11.10	53.98	28.58	20.62	34.93	7/16-20	7	18.759	0.073
JM 8M	12.70	15.88	12.70	61.93	33.32	23.80	38.10	1/2-20	6	29.624	0.113
JM 10M	15.875	19.05	14.27	66.68	38.10	28.58	41.28	5/8-18	8	32.752	0.173
JM 12M	19.05	22.23	17.45	73.03	44.45	33.32	44.45	3/4-16	7	51.237	0.273
JM 14M	22.225	22.23	19.43	85.73	50.80	33.32	50.80	7/8-14	3.5	82.185	0.411
JM 14-1M	22.225	22.23	17.45	85.73	50.80	33.32	47.63	7/8-14	6	101.601	0.411
JM 16M	25.4	34.93	25.4	104.78	69.85	47.63	53.98	11/4-12	8.5	193.67	1.091
JM 16-1M	25.4	34.93	25.4	104.78	69.85	47.63	53.98	1-14	8.5	193.67	0.965
JM 16-2M	25.4	34.93	25.4	104.78	69.85	47.63	53.98	1-12	8.5	193.67	0.965

-For left-hand thread, please add suffix "L", e.g. JML 10 M.

-Lubricating hole or grease nipple isn't available for the sizes marked "**"

-When grease nipple is required for other sizes, please use the sign JM..MS.

-Load ratings apply only to rod ends without grease nipple.

-若是左旋螺纹，轴承型号需加“L”，例如：JM10M。

-带“*”的型号均不配油孔或油杯，其余若需配油杯，请用JM..MS的代号。

-带中负荷值仅使用不带油杯的情况。

Rod ends JFX

杆端关节轴承



3-piece, precision, high strength alloy/PTFE liner available

需润滑，高强度合金壳体，英制尺寸

Body: steel alloy, heat treated, zinc plated, clear chromate treated

Ball: GCr15 steel, heat treated, precision ground, polished

Race: steel alloy, heat treated, zinc plated, clear chromate treated

Sliding contact surface: steel/steel

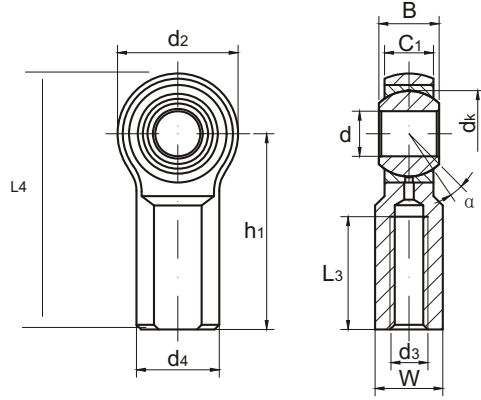
Liner(optional): PTFE composite or fabric

壳体：合金钢，热处理，镀锌，铬酸盐处理

内圈：轴承钢，热处理硬度，精磨，抛光

外圈：合金钢，热处理，镀锌，铬酸盐处理

摩擦副：钢/钢



Bearing No.	Dimensions(mm/inches)										Ball dia	a° mis. angle	Load ratings (KN)	weight ≈ kg
	d+0.038 -0.012	B	C1	d2	d3 UNF-2B	h1	L3	(L4)	d4	sw				
JFX3	4.826	7.92	6.35	15.88	10-32	26.97	11.11	34.91	10.31	7.92	11.11	10	16.6	0.018
JFX3T	0.19	0.312	0.25	0.625	10-32	1.062	0.437	1.375	0.406	0.312	0.437	10	16.6	0.018
JFX4	6.35	9.53	7.14	19.05	1/4-28	33.32	14.28	42.85	11.89	9.52	12.7	13	27.5	0.027
JFX4T	0.25	0.375	0.281	0.75	1/4-28	1.312	0.562	1.687	0.468	0.375	0.5	13	27.5	0.027
JFX5	7.938	11.1	8.74	22.23	5/16-24	34.92	15.88	46.03	12.7	11.1	15.88	10	33.9	0.04
JFX5T	0.3125	0.437	0.344	0.875	5/16-24	1.375	0.625	1.812	0.5	0.437	0.625	10	33.9	0.04
JFX6	9.525	12.7	10.31	25.4	3/8-24	41.28	19.05	53.98	17.45	14.27	18.26	9	42.4	0.068
JFX6T	0.375	0.5	0.406	1	3/8-24	1.625	0.75	2.125	0.687	0.562	0.719	9	42.4	0.068
JFX7	11.112	14.27	11.1	28.58	7/16-20	46.02	22.22	60.3	19.05	15.88	20.62	11	45.7	0.09
JFX7T	0.4375	0.562	0.437	1.125	7/16-20	1.812	0.875	2.375	0.75	0.625	0.812	11	45.7	0.09
JFX8	12.7	15.88	12.7	33.32	1/2-20	53.98	25.4	70.64	22.22	19.05	23.8	9	68.2	0.149
JFX8T	0.5	0.625	0.5	1.312	1/2-20	2.125	1	2.781	0.875	0.75	0.937	9	68.2	0.149
JFX10	15.875	19.05	14.27	38.1	5/8-18	63.5	31.75	82.55	25.4	22.22	28.58	11	79.8	0.217
JFX10T	0.625	0.75	0.562	1.5	5/8-18	2.5	1.25	3.25	1	0.875	1.125	11	79.8	0.217
JFX12	19.05	22.23	17.45	44.45	3/4-16	73.03	38.1	95.25	28.58	25.4	33.33	10	124.9	0.326
JFX12T	0.75	0.875	0.687	1.75	3/4-16	2.875	1.5	3.75	1.125	1	1.312	10	124.9	0.326
JFX16	25.4	34.93	25.4	69.85	1-1/4-12	104.78	53.98	139.7	41.28	38.1	47.62	14	338.9	0.963
JFX16T	1	1.375	1	2.75	1-1/4-12	4.125	2.125	5.5	1.625	1.5	1.875	14	338.9	0.963
JFX16-1	25.4	34.93	25.4	69.85	1-1/4	104.78	53.98	139.7	41.28	38.1	47.62	14	338.9	1.093
JFX16-1T	1	1.375	1	2.75	1-1/4	4.125	2.125	5.5	1.625	1.5	1.875	14	338.9	1.093

For grease fittings add "Z" to suffix. Example: JFX6Z

For studs add "Y" to suffix. Example: JFX5Y

For teflon liner add "T". Example: JFX5T

Can supply rod ends with different pitch or accuracy of thread.

For left-hand thread, suffix "L" is added to bearing numbers. e.g.: JFXL12 3/4-16L

Rod ends JMX

杆端关节轴承

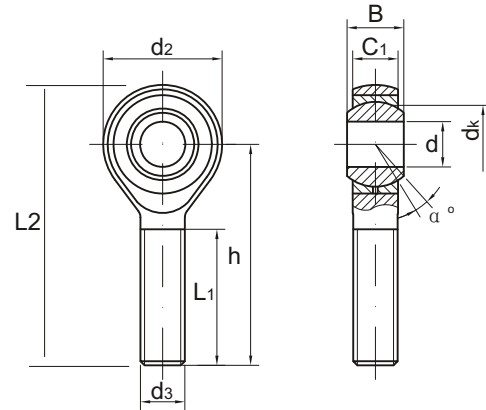


3-piece, precision, high strength alloy/PTFE liner available

需润滑，高强度合金壳体，英制尺寸

Body: steel alloy, heat treated, zinc plated, clear chromate treated
Ball: GCr15 steel, heat treated, precision ground, polished
Race: steel alloy, heat treated, zinc plated, clear chromate treated
Sliding contact surface: steel/steel
Liner(optional): PTFE composite or fabric

壳体：合金钢，热处理，镀锌酸盐处理
 内圈：轴承钢，热处理硬度，精磨，抛光
 外圈：合金钢，热处理，镀锌酸盐处理
 摩擦副：钢/钢



Bearing No.	Dimensions(mm/inches)								Ball dia	a° mis. angle	Load ratings (KN)	weight ≈ kg
	d+0.038 -0.012	B	C1	d2	d3 UNF-2A	h	L1	(L2)				
JMX3	4.826	7.92	6.35	15.88	10-32	31.75	19.05	39.69	11.11	13	12.6	0.013
JMX3T	0.19	0.312	0.25	0.625	10-32	1.25	0.75	1.562	0.437	13	12.6	0.013
JMX4	6.35	9.53	7.14	19.05	1/4-28	39.67	25.4	49.2	12.7	16	23.4	0.018
JMX4T	0.25	0.375	0.281	0.75	1/4-28	1.562	1	1.937	0.5	16	23.4	0.018
JMX5	7.938	11.1	8.74	22.23	5/16-24	47.63	31.75	58.75	15.88	14	33.9	0.031
JMX5T	0.3125	0.437	0.344	0.875	5/16-24	1.875	1.25	2.312	0.625	14	33.9	0.031
JMX6	9.525	12.7	10.31	25.4	3/8-24	49.22	31.75	61.92	18.26	12	42.4	0.049
JMX6T	0.375	0.5	0.406	1	3/8-24	1.938	1.25	2.437	0.719	12	42.4	0.049
JMX7	11.112	14.27	11.1	28.58	7/16-20	53.98	34.93	68.27	20.62	14	45.7	0.072
JMX7T	0.4375	0.562	0.437	1.125	7/16-20	2.125	1.375	2.678	0.812	14	45.7	0.072
JMX8	12.7	15.88	12.7	33.32	1/2-20	61.92	38.1	78.58	23.8	12	72.2	0.113
JMX8T	0.5	0.625	0.5	1.312	1/2-20	2.438	1.5	3.093	0.937	12	72.2	0.113
JMX10	15.875	19.05	14.27	38.1	5/8-18	66.68	41.28	85.73	28.58	16	79.8	0.172
JMX10T	0.625	0.75	0.562	1.5	5/8-18	2.625	1.625	3.375	1.125	16	79.8	0.172
JMX12	19.05	22.23	17.45	44.45	3/4-16	73.02	44.45	95.25	33.33	14	124.9	0.272
JMX12T	0.75	0.875	0.687	1.75	3/4-16	2.875	1.75	3.75	1.312	14	124.9	0.272
JMX14	22.225	22.23	17.45	50.8	7/8-14	85.73	47.63	111.1	33.33	10	247.7	0.408
JMX14T	0.875	0.875	0.687	2	7/8-14	3.375	1.875	4.375	1.312	10	247.7	0.408
JMX16	25.4	34.93	25.4	69.85	1-1/4-12	104.78	53.98	139.7	47.62	14	476.7	1.241
JMX16T	1	1.375	1	2.75	1-1/4-12	4.125	2.125	5.5	1.875	14	476.7	1.241
JMX16-1	25.4	34.93	25.4	69.85	1-1/4	104.78	53.98	139.7	47.62	14	476.7	1.117
JMX16-1T	1	1.375	1	2.75	1-1/4	4.125	2.125	5.5	1.875	14	476.7	1.117

For grease fittings add "Z" to suffix. Example: JMX6Z

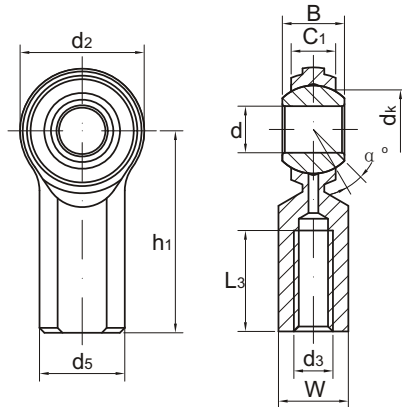
For studs add "Y" to suffix. Example: JMX5Y

For teflon liner add "T" suffix. Example: JMX5T

Can supply rod ends with different pitch or accuracy of thread.

For left-hand thread, suffix "L" is added to bearing numbers. e.g.: JMXL12 3/4-16L

2-piece, maintenance required, inch dimensions



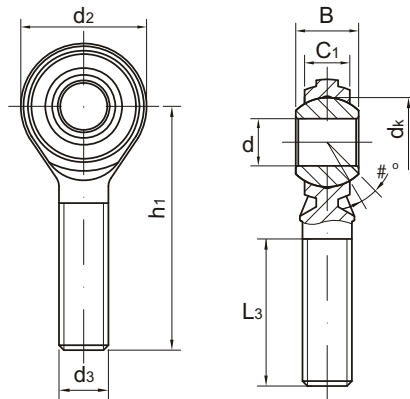
Housing:
Alloy steel
heat treated
black oxide treated

Ball:
GCr15 steel
heat treated HRC58-HRC62
hard chrome plated
precision ground and polished

Liner(optional):
PTFE composite
(PTFE-Strong & flexible bronze
mesh spread with fluorine resin)

Part No. 型号	Dimensions 尺寸mm											Load ratings 负荷KN	Weight 重量Kg
	d	B	C ₁	h ₁	d ₂	d ₅	W	dk	L ₃ min	d ₃ 2B	α ≈		
CFX 3*	4.826	7.92	5.94	26.97	15.88	10.31	7.92	11.10	12.70	10-32	10	9.247	0.018
CFX 4*	6.350	9.53	6.35	33.32	19.05	11.91	9.53	12.70	17.45	1/4-28	13.5	14.269	0.023
CFX 5*	7.938	11.1	7.92	34.93	22.23	12.7	11.1	15.88	17.45	5/16-24	11	17.009	0.036
CFX 6	9.525	12.7	9.12	41.28	25.40	17.45	14.27	18.26	20.62	3/8-24	11	22.627	0.059
CFX 7	11.113	14.27	10.31	46.02	28.58	19.05	15.88	20.62	23.80	7/16-20	10.5	28.400	0.082
CFX 8	12.70	15.88	11.50	53.98	33.32	22.23	19.05	23.80	26.97	1/2-20	10	40.459	0.132
CFX 10	15.875	19.05	12.29	63.50	38.10	25.40	22.23	28.58	34.93	5/8-18	13	43.203	0.195
CFX 12	19.05	22.23	15.06	73.03	44.45	28.58	25.40	33.32	39.67	3/4-16	12	63.193	0.295

Note: For PTFE liner, add "T" to suffix, example: CFX12T. For left-hand thread, add suffix "L", example: CFXL12.



Housing:
Alloy steel
heat treated
black oxide treated

Ball:
GCr15 steel
heat treated HRC58-HRC62
hard chrome plated
precision ground and polished

Liner(optional):
PTFE composite
(PTFE-Strong & flexible bronze
mesh spread with fluorine resin)

Part No. 型号	Dimensions 尺寸mm										Load ratings 负荷KN	Weight 重量Kg
	d	B	C ₁	h ₁	d ₂	dk	L ₃ min	d ₃ 3A	# 氮			
CMX 3*	4.826	7.92	5.94	31.75	15.88	11.1	19.05	10-32	10	5.355	0.014	
CM X4*	6.350	9.53	6.35	39.67	19.05	12.7	25.40	1/4-28	13.5	9.839	0.018	
CM X5*	7.938	11.1	7.92	47.63	22.23	15.88	31.75	5/16-24	11	15.910	0.032	
CM X6	9.525	12.7	9.12	49.23	25.40	18.26	31.75	3/8-24	11	22.542	0.050	
CM X7	11.113	14.27	10.31	53.98	28.58	20.62	34.93	7/16-20	10.5	28.223	0.068	
CM X8	12.70	15.88	11.50	61.93	33.32	23.80	38.10	1/2-20	10	37.087	0.109	
CM X10	15.875	19.05	12.29	66.68	38.10	28.58	41.28	5/8-18	13	43.203	0.163	
CM X12	19.05	22.23	15.06	73.03	44.45	33.32	44.45	3/4-16	12	63.193	0.259	

Note: For PTFE liner, add "T" to suffix, example: CFX12T. For left-hand thread, add suffix "L", example: CFXL12.

Rod ends KF

杆端关节轴承



3-piece, maintenance required, inch dimensions, heavy duty

需要润滑，英制尺寸，重载系列

Body: carbon steel,zinc plated,with grease nipple

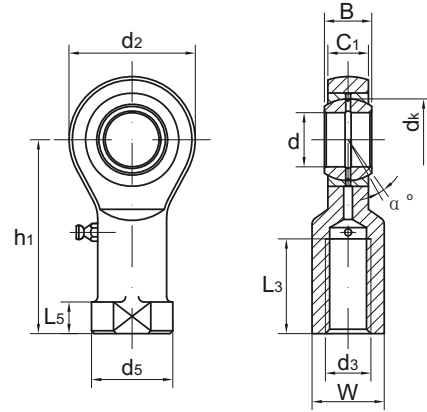
杆体：碳钢，镀锌，带油嘴

Bearing Insert: GEZ...ES or GEZ...ES 2RS

轴承：GEZ...ES

Sliding contact surface: steel/steel

滑动摩擦副：钢/钢



Part No. 型号	Dimensions 尺寸mm												Load ratings 负荷KN	Weight 重量Kg
	d	B	c ₁	h ₁	d ₂	d ₅	W	L ₅	L _k	L ₃ min	d ₃ 2B	α ≈		
KF 20-1	31.75	27.762	23.80	104.8	69.85	41.28	38.10	12.70	45.59	53.98	1 1/4-12	3.5	197.91	0.964
KF 24-1	38.10	33.325	28.575	136.5	88.90	57.15	50.80	22.23	54.74	66.68	1 1/2-12	3.2	288.06	2.95
KF 32-1	50.80	44.450	38.10	203.2	127	79.38	69.85	52.37	73.03	101.6	2-12	3.0	682.82	6.80

-For left-hand thread please add suffix"L", e.g. KFL 24-1.

-若是左旋螺纹，轴承型号需加“L”，例如：KFL 24-1。

Rod ends KM

杆端关节轴承

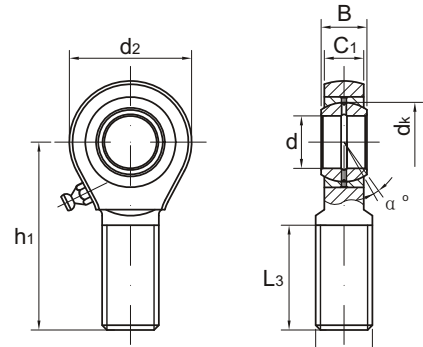


3-piece, maintenance required, inch dimensions, heavy duty

需要润滑，英制尺寸，重载系列

Housing: carbon steel,zinc plated,with grease nipple
Bearing insert: GEZ...ES or GEZ...ES 2RS
Sliding contact surface: steel/steel

杆体：碳钢，镀锌，带油嘴
 轴承：GEZ...ES 或者GEZ...ES 2RS
 滑动摩擦副：钢/钢



Part No. 型号	Dimensions 尺寸mm									Load ratings 负荷KN	Weight 重量Kg
	d	B	c ₁	h ₁	d ₂	D _k	L ₃ min	d ₃ 3A	α ≈		
KM 20-1	31.75	27.762	23.80	104.8	69.85	45.59	53.98	1 1/4-12	3.5	197.91	1.09
KM 24-1	38.10	33.325	28.575	136.5	88.90	54.74	76.20	1 1/2-12	3.2	288.06	2.15
KM 32-1	50.80	44.450	38.10	203.2	127	73.03	114.3	2-12	3.0	682.82	6.46

-For left-hand thread, please add suffix"L", e.g. KML 24-1.

-若是左旋螺纹，轴承型号需加“L”，例如：KML 24-1。

Rod ends with studs SIZP...S

杆端关节轴承

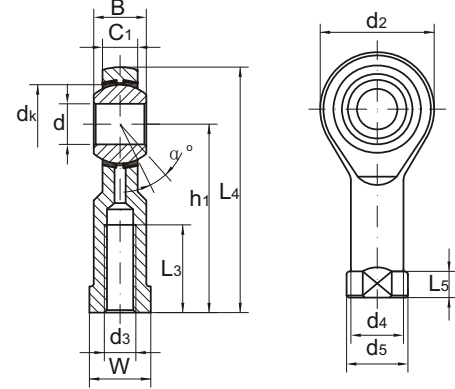


3-piece, maintenance required, inch dimensions

需润滑，英制尺寸

Housing: carbon steel,zinc plated
Inner ring: chrome steel, heat treated HRC58-62
outer ring: brass
Sliding contact surface: steel/brass

壳体：碳钢，镀锌
 内圈：轴承钢，热处理硬度HRC58-62
 外圈：黄铜
 摩擦副：钢/黄铜



Part No. 型号	Dimensions 尺寸mm														Load ratings 负荷KN		Weight 重量Kg
	d	d ₃ 2B	B	C ₁	d _k	d ₂	h ₁	L ₃ min	L ₄	L ₅	d ₄	d ₅	w	α ≈	dyn. 动 C _d	stat. 静 C _s	
SIZP 4S	4.826	10-32	7.92	6.35	11.11	15.88	26.97	14.27	34.91	4.75	7.54	10.31	7.92	10	3.4	4.6	0.015
SIZP 6 S	6.35	1/4-28	9.53	7.14	12.70	19.05	33.32	19.05	42.85	4.75	9.15	11.91	9.53	13	4.5	7.7	0.025
SIZP 7 S	7.938	5/16-24	11.1	8.74	15.875	22.23	34.93	19.05	46.04	4.75	10.72	12.70	11.1	10	6.9	8.4	0.036
SIZP 9 S	9.525	3/8-24	12.7	10.31	19.05	25.40	41.28	23.80	53.98	6.35	13.89	17.45	14.27	9	9.4	10	0.061
SIZP 11 S	11.113	7/16-20	14.27	11.10	19.05	28.58	46.02	26.97	60.61	6.35	15.49	19.05	15.88	11	11	13	0.081
SIZP 12 S	12.70	1/2-20	15.88	12.70	22.225	33.32	53.98	30.15	70.64	6.35	18.67	22.23	19.05	9	15	19	0.133
SIZP 15 S	15.875	5/8-18	19.05	14.27	28.575	38.10	63.50	38.10	82.55	7.92	21.84	25.40	22.23	11	20	21	0.190
SIZP 19 S	19.05	3/4-16	22.23	17.45	31.75	44.45	73.03	44.45	95.25	7.92	25.02	28.58	25.4	10	29	29	0.285
SIZP 25 S	25.40	5/4-12	34.93	25.40	50.80	69.85	104.78	53.98	139.7	11.1	37.72	44.45	38.1	14	60	101	1.00

-For left-hand thread, please add suffix "L", e.g, SILZP 15 S.

-若是左旋螺纹，轴承型号需加“L”，例如：SILZP 15 S。

Rod ends with studs SIZP...S

杆端关节轴承



3-piece, maintenance required, inch dimensions

需润滑，英制尺寸

Housing: carbon steel, zinc plated

Inner ring: chrome steel, heat treated HRC58-62

outer ring: brass

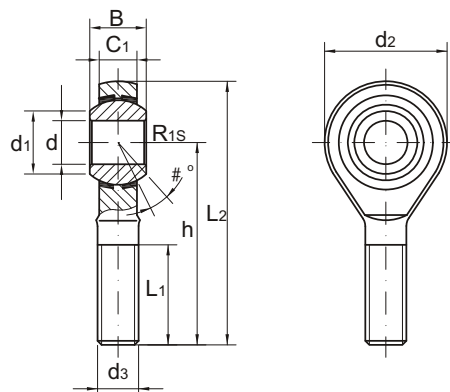
Sliding contact surface: steel/brass

壳体：碳钢，镀锌

内圈：轴承钢，热处理硬度HRC58-62

外圈：黄铜

摩擦副：钢/黄铜



Part No. 型号	Dimensions 尺寸mm											Load ratings 负荷KN		Weight 重量Kg
	d	d ₃ 3 _A	B	C ₁	d ₁	R _{1s}	d ₂	h	L ₁ min	L ₂	# 氮	dyn. 动 C _d	stat. 静 C _s	
SAZP 4 S	4.826	10-32	7.925	6.35	7.79	0.3	15.88	31.75	19.05	39.7	10	3.4	3.8	0.013
SAZP 6 S	6.350	1/4-28	9.525	7.14	8.40	0.3	19.05	39.67	25.40	49.2	13	4.5	6.6	0.022
SAZP 7 S	7.938	5/16-24	11.1	8.74	11.35	0.3	22.23	47.63	31.75	58.72	10	6.9	8.4	0.037
SAZP 9 S	9.525	3/8-24	12.70	10.31	14.20	0.6	25.40	49.23	31.75	61.93	9	9.4	10	0.055
SAZP 11 S	11.113	7/16-20	14.275	11.10	12.62	0.6	28.58	53.98	34.95	68.28	11	11	13	0.078
SAZP 12 S	12.70	1/2-20	15.875	12.70	15.55	0.6	33.32	61.93	38.10	78.59	9	15	19	0.12
SAZP 15 S	15.875	5/8-18	19.05	14.27	21.30	0.6	38.10	66.68	41.28	85.73	11	20	21	0.18
SAZP 19 S	19.05	3/4-16	22.225	17.45	22.67	0.6	44.45	73.03	44.45	95.25	10	29	29	0.29
SAZP 25 S	25.40	5/4-12	34.93	25.40	36.89	0.6	69.85	104.78	53.98	139.7	14	60	101	1.10

-For left-hand thread, please add suffix "L", e.g. SALZP 15 S.

-若是左旋螺纹，轴承型号需加“L”，例如：SALZP 15 S。

Stainless steel rod ends SPHSB...EC

杆端关节轴承

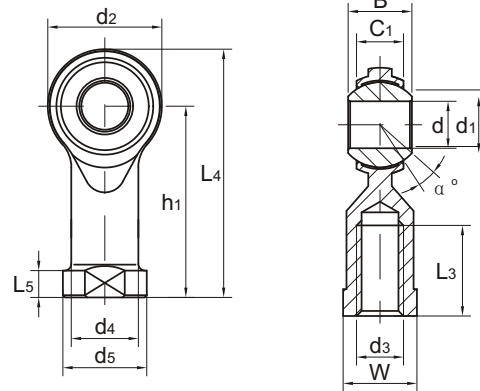


2-piece, maintenance-free, metric dimensions

不锈钢, 免维护, 英制尺寸

Housing: 304 stainless steel, pressed inner ring, lined PTFE
Ball: 440 stainless steel, heat treated, precision ground, polished
Sliding contact surface: steel/PTFE

壳体: 304不锈钢, 内衬PTFE
 内圈: 440不锈钢
 镀铬摩擦副: 不锈钢/PTFE



Bearing	Dimensions(mm)													Ball	a°	Load ratings		weight
	No.	d +0.038 -0.012	B	C1	d1	d2	d3 UNF-2B	h1	L3	(L4)	L5	d4	d5			sw	dia	
SPHSB3EC	4.826	7.92	6.35	7.77	15.88	10-32	26.97	12.7	34.91	4.75	7.92	10.31	7.92	11.11	10	3.3	6.6	0.015
SPHSB4EC	6.35	9.53	7.14	9.02	19.05	1/4-28	33.32	17.45	42.85	4.75	9.52	11.89	9.52	12.7	13	4.8	11	0.025
SPHSB5EC	7.938	11.1	8.74	11.35	22.23	5/16-24	34.92	17.45	46.03	4.75	11.1	12.7	11.1	15.87	10	5.9	12	0.036
SPHSB6EC	9.525	12.7	10.31	13.13	25.4	3/8-24	41.28	20.62	53.98	6.35	14.27	17.45	14.27	18.26	9	8.2	18.2	0.061
SPHSB7EC	11.11	14.27	11.1	14.88	28.58	7/16-20	46.02	23.8	60.3	6.35	15.88	19.05	15.88	20.62	11	10	21.5	0.081
SPHSB8EC	12.7	15.88	12.7	17.73	33.32	1/2-20	53.98	26.97	70.64	6.35	19.05	22.22	19.05	23.8	9	15	30.6	0.133
SPHSB10EC	15.88	19.05	14.27	21.31	38.1	5/8-18	63.5	34.92	82.55	7.92	22.22	25.4	22.22	28.57	11	18	34.1	0.19
SPHSB12EC	19.05	22.23	17.45	24.84	44.45	3/4-16	73.03	39.67	95.25	7.92	25.4	28.58	25.4	33.33	10	27	47.9	0.285

Can supply rod ends with different pitch or accuracy of thread.

For left-hand thread, suffix "L" is added to bearing numbers. e.g.:SPHSB12ECL 3/4-16L

Stainless steel rod ends SPOSB...EC

杆端关节轴承

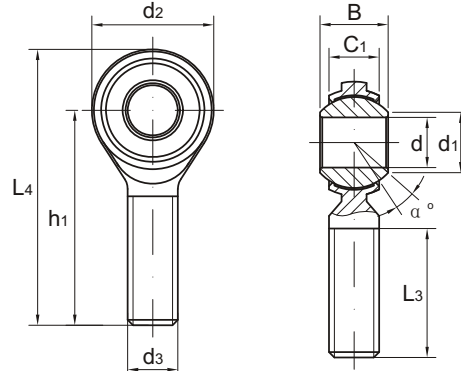


2-piece, maintenance-free, metric dimensions

不锈钢, 免维护, 英制尺寸

Housing: 304 stainless steel, pressed inner ring, lined PTFE
Ball: 440 stainless steel, heat treated, precision ground, polished
Sliding contact surface: steel/PTFE

壳体: 304不锈钢, 内衬PTFE
 内圈: 440不锈钢
 镀铬摩擦副: 不锈钢/PTFE



Bearing No.	Dimensions(mm)									Ball dia	a° mis angle	Load ratings		weight ≈ kg
	d ^{+0.038 -0.012}	B	C1	d1	d2	d3 UNF-2A	h	L1	L2			Dyn. Cr	Static Cor	
SPOSB 3 EC	4.826	7.92	6.35	7.77	15.88	10-32	31.75	19.05	39.69	11.11	10	2.8	4.4	0.013
SPOSB 4 EC	6.35	9.53	7.14	9.02	19.05	1/4-28	39.67	25.4	49.2	12.7	13	4.8	8.2	0.022
SPOSB 5 EC	7.938	11.1	8.74	11.35	22.23	5/16-24	47.63	31.75	58.75	15.87	10	5.9	13.1	0.037
SPOSB 6 EC	9.525	12.7	10.31	13.13	25.4	3/8-24	49.22	31.75	61.92	18.26	9	8.2	18.2	0.055
SPOSB 7 EC	11.11	14.27	11.1	14.88	28.58	7/16-20	53.98	34.93	68.28	20.62	11	10	21.5	0.078
SPOSB 8 EC	12.7	15.88	12.7	17.73	33.32	1/2-20	61.92	38.1	78.59	23.8	9	15	30.6	0.12
SPOSB 10 EC	15.88	19.05	14.27	21.31	38.1	5/8-18	66.68	41.28	85.73	28.57	11	18	34.1	0.18
SPOSB 12 EC	19.05	22.23	17.45	24.84	44.45	3/4-16	73.02	44.45	95.25	33.33	10	27	47.9	0.29

Can supply rod ends with different pitch or accuracy of thread.

For left-hand thread, suffix "L" is added to bearing numbers. e.g.:SPOSB12ECL 3/4-16L

Rod ends NEXF

杆端关节轴承

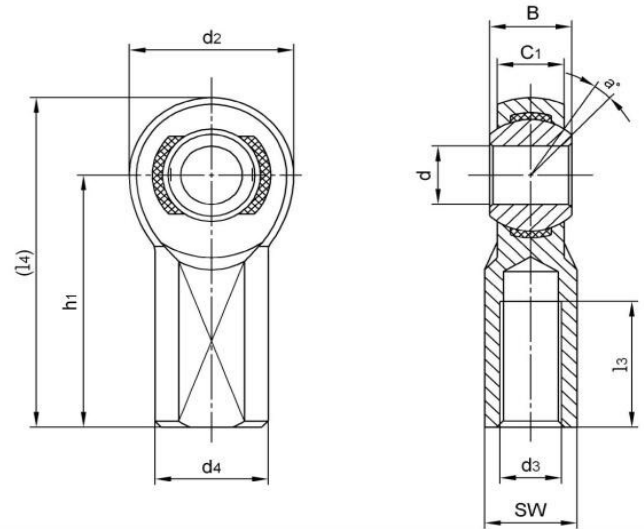
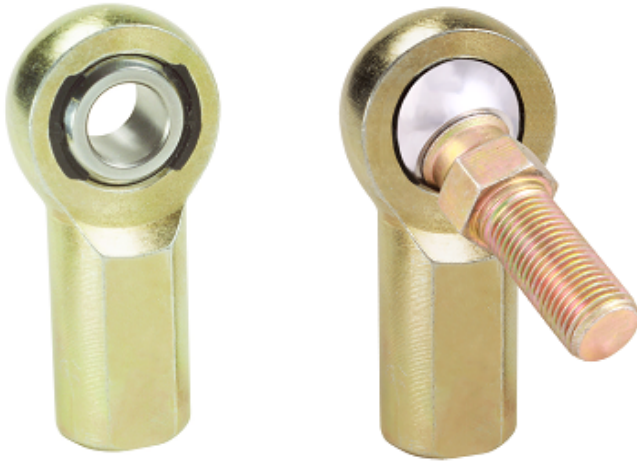


3-piece, maintenance-free, inch dimension

自润滑，英制尺寸

Body: Carbon steel, Zinc plated chromate treated
Ball: GCr15 steel, heat treated HRC58-64, hard chrome plated
Race: nylon or equivalent
Sliding contact surface: steel/nylon

壳体：碳钢
 内圈：轴承钢，热处理硬度HRC58-64，精磨，抛光
 外圈：尼龙
 摩擦副：钢/尼龙



Bearing No.	Dimensions(mm/inches)										Ball dia	a° mis. angle	Load ratings KN lbs	weight ≈ kg lb
	d+0.038 -0.012	B	C1	d2	d3 UNF-2B	h1	L3	(L4)	d4	sw				
NEXF3	4.826	7.92	6.35	15.88	10-32	26.97	11.11	34.91	10.31	7.92	11.11	10	6.8	0.018
	0.19	0.312	0.25	0.625	10-32	1.062	0.437	1.375	0.406	0.312	0.437	10	1528	0.04
NEXF4	6.35	9.53	7.14	19.05	1/4-28	33.32	14.27	42.85	11.89	9.52	12.7	13	11.2	0.027
	0.25	0.375	0.281	0.75	1/4-28	1.312	0.562	1.687	0.468	0.375	0.5	13	2518	0.06
NEXF5	7.938	11.1	8.74	22.23	5/16-24	34.92	15.88	46.03	12.7	11.1	15.88	10	13.9	0.04
	0.3125	0.437	0.344	0.875	5/16-24	1.375	0.625	1.812	0.5	0.437	0.625	10	3125	0.09
NEXF6	9.525	12.7	10.31	25.4	3/8-24	41.28	19.05	53.98	17.45	14.27	18.26	9	17.4	0.63
	0.375	0.5	0.406	1	3/8-24	1.625	0.75	2.125	0.687	0.562	0.719	9	3911	0.14
NEXF7	11.11	14.27	11.1	28.58	7/16-20	46.02	22.22	60.31	19.05	15.88	20.62	11	18.7	0.086
	0.4375	0.562	0.437	1.125	7/16-20	1.812	0.875	2.375	0.75	0.625	0.812	11	4203	0.19
NEXF8	12.7	15.88	12.7	33.32	1/2-20	53.98	25.4	70.64	22.22	19.05	23.8	9	44.5	0.14
	0.5	0.625	0.5	1.312	1/2-20	2.125	1	2.781	0.875	0.75	0.937	9	10001	0.31
NEXF10	15.875	19.05	14.27	38.1	5/8-18	63.5	31.75	82.55	25.4	22.23	28.58	11	49.9	0.204
	0.625	0.75	0.562	1.5	5/8-18	2.5	1.25	3.25	1	0.875	1.125	11	11226	0.45
NEXF12	19.05	22.23	17.45	44.45	3/4-16	73.02	38.1	95.25	28.58	25.4	33.33	10	74.9	0.313
	0.75	0.875	0.687	1.75	3/4-16	2.875	1.5	3.75	1.125	1	1.312	10	16848	0.69

Can supply rod ends with different pitch or accuracy of thread.

For studs, add suffix "Y", example NEXF10Y

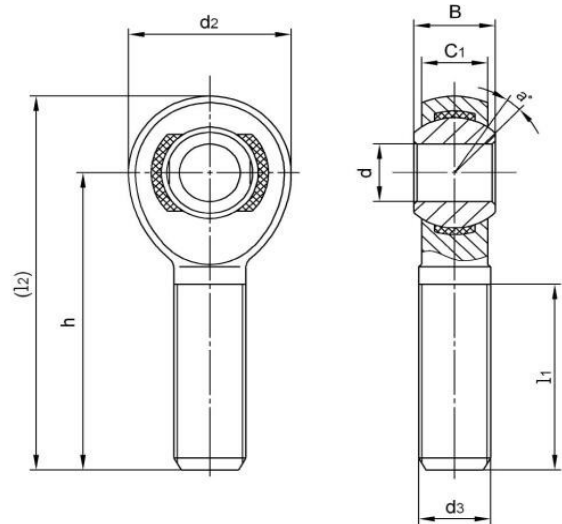
For left-hand thread, suffix "L" is added to bearing numbers. e.g.:NEXFL12 3/4-16L

3-piece, maintenance-free, inch dimension

自润滑, 英制尺寸

Body: Carbon steel, Zinc plated chromate treated
Ball: GCr15 steel, heat treated HRC58-64, hard chrome plated
Race: nylon or equivalent
Sliding contact surface: steel/nylon

壳体: 碳钢
 内圈: 轴承钢, 热处理硬度HRC58-64, 精磨, 抛光
 外圈: 尼龙
 摩擦副: 钢/尼龙



Bearing No.	Dimensions(mm/inches)								Ball dia	a° mis. angle	Load ratings KN lbs	weight ≈ kg lb
	d+0.038 -0.012	B	C1	d2	d3 UNF-2B	h	L1	(L2)				
NEXM3	4.826	7.92	6.35	15.88	10-32	31.75	19.05	39.69	11.11	10	5.2	0.013
	0.19	0.312	0.25	0.625	10-32	1.25	0.75	1.562	0.437	10	1169	0.03
NEXM4	6.35	9.53	7.14	19.05	1/4-28	39.67	25.4	49.2	12.7	13	8.2	0.018
	0.25	0.375	0.281	0.75	1/4-28	1.562	1	1.937	0.5	13	1843	0.04
NEXM5	7.938	11.1	8.74	22.23	5/16-24	47.63	31.75	58.75	15.88	10	12.3	0.031
	0.3125	0.437	0.344	0.875	5/16-24	1.875	1.25	2.312	0.625	10	2765	0.07
NEXM6	9.525	12.7	10.31	25.4	3/8-24	49.22	31.75	61.92	18.26	9	17.4	0.049
	0.375	0.5	0.406	1	3/8-24	1.938	1.25	2.687	0.719	9	3911	0.11
NEXM7	11.11	14.27	11.1	28.58	7/16-20	53.98	34.93	68.27	20.62	11	18.7	0.066
	0.4375	0.562	0.437	1.125	7/16-20	2.125	1.375	2.678	0.812	11	4203	0.15
NEXM8	12.7	15.88	12.7	33.32	1/2-20	61.92	38.1	78.58	23.8	9	44.5	0.108
	0.5	0.625	0.5	1.312	1/2-20	2.438	1.5	3.093	0.937	9	10001	0.24
NEXM10	15.875	19.05	14.27	38.1	5/8-18	66.68	41.28	85.73	28.58	11	49.9	0.163
	0.625	0.75	0.562	1.5	5/8-18	2.625	1.625	3.375	1.125	11	11226	0.36
NEXM12	19.05	22.23	17.45	44.45	3/4-16	73.02	44.45	95.25	33.33	10	73.7	0.258
	0.75	0.875	0.687	1.75	3/4-16	2.875	1.75	3.75	1.312	10	16565	0.57

Can supply rod ends with different pitch or accuracy of thread.

For stud, add suffix "Y". e.g.: NEXM12Y

For left-hand thread, suffix "L" is added to bearing numbers. e.g.: NEXML12 3/4-16L

Rod ends NJF

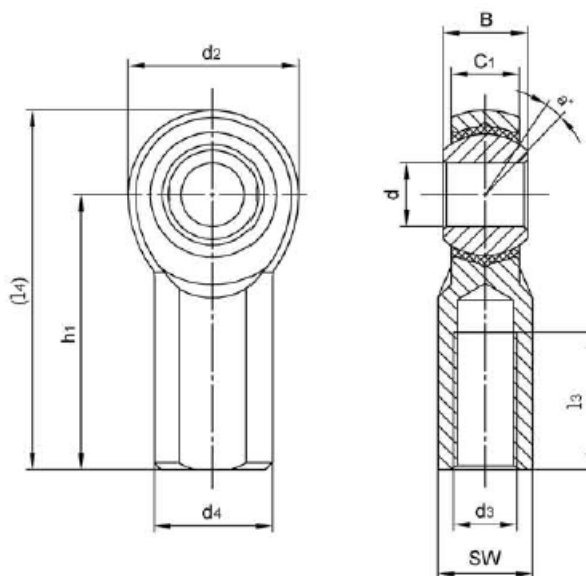
杆端关节轴承

3-piece, maintenance required, inch dimensions

自润滑，英制尺寸

Body: low carbon steel, chromate treated, zinc plated
Ball: chrome steel, heat treated HRC58-64, precision ground, polished
Race: PTFE lubricate, fiber reinforced engineering plastic
Sliding contact surface: steel/nylon

壳体：碳钢，镀锌，铬酸盐处理
 内圈：轴承钢，热处理硬度HRC58-64，精磨，抛光
 外圈：尼龙
 摩擦副：钢/尼龙



Bearing No.	Dimensions(mm/inches)										Ball dia	a° mis. angle	Load ratings KN lbs	weight ≈ kg lb
	d+0.038 -0.012	B	C1	d2	d3 UNF-2B	h1	L3	(L4)	d4	sw				
NJF3	4.826	7.92	6.35	15.88	10-32	26.97	11.11	34.91	10.31	7.92	11.11	10	5.38	0.018
	0.19	0.312	0.25	0.625	10-32	1.062	0.437	1.375	0.406	0.312	0.437	10	1210	0.04
NJF4	6.35	9.53	7.14	19.05	1/4-28	33.32	14.27	42.85	11.89	9.52	12.7	13	10.98	0.027
	0.25	0.375	0.281	0.75	1/4-28	1.312	0.562	1.687	0.468	0.375	0.5	13	2470	0.06
NJF5	7.938	11.1	8.74	22.23	5/16-24	34.92	15.88	46.03	12.7	11.1	15.88	10	12.18	0.04
	0.3125	0.437	0.344	0.875	5/16-24	1.375	0.625	1.812	0.5	0.437	0.625	10	2740	0.08
NJF6	9.525	12.7	10.31	25.4	3/8-24	41.28	19.05	53.98	17.45	14.27	18.26	9	18.23	0.063
	0.375	0.5	0.406	1	3/8-24	1.625	0.75	2.125	0.687	0.562	0.719	9	4100	0.14
NJF7	11.11	14.27	11.1	28.58	7/16-20	46.02	22.22	60.31	19.05	15.88	20.62	11	23.8	0.086
	0.4375	0.562	0.437	1.125	7/16-20	1.812	0.875	2.375	0.75	0.625	0.812	11	5350	0.19
NJF8	12.7	15.88	12.7	33.32	1/2-20	53.98	25.4	70.64	22.22	19.05	23.8	9	28.6	0.14
	0.5	0.625	0.5	1.312	1/2-20	2.125	1	2.781	0.875	0.75	0.937	9	6430	0.31
NJF10	15.875	19.05	14.27	38.1	5/8-18	63.5	31.75	82.55	25.4	22.23	28.58	11	36.9	0.204
	0.625	0.75	0.562	1.5	5/8-18	2.5	1.25	3.25	1	0.875	1.125	11	8300	0.45
NJF12	19.05	22.23	17.45	44.45	3/4-16	73.02	38.1	95.25	28.58	25.4	33.33	10	48.48	0.303
	0.75	0.875	0.687	1.75	3/4-16	2.875	1.5	3.75	1.125	1	1.312	10	10900	0.67

Can supply rod ends with different pitch or accuracy of thread.

For studs, add suffix "Y", example NJF10Y

For left-hand thread, suffix "L" is added to bearing numbers. e.g.:NJFL12 3/4-16L

Rod ends NJM

杆端关节轴承



3-piece, maintenance required, inch dimensions

自润滑，英制尺寸

Body: low carbon steel, chromate treated, zinc plated

Ball: chrome steel, heat treated HRC58-64, precision ground, polished

Race: PTFE lubricate, fiber reinforced engineering plastic

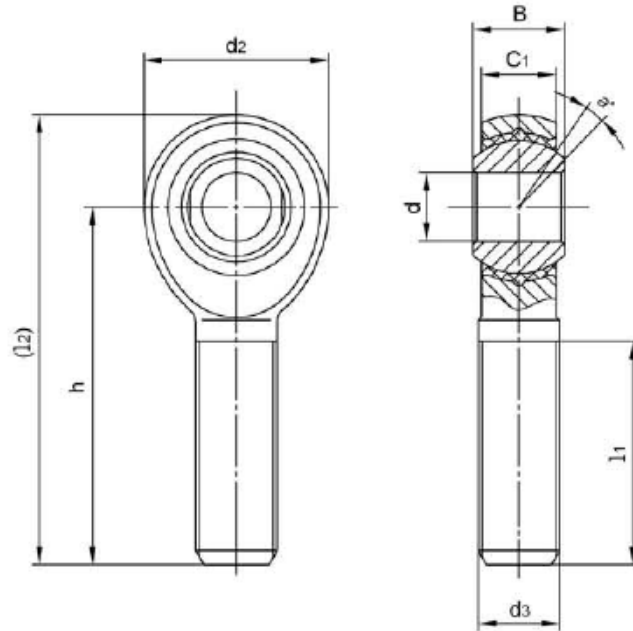
Sliding contact surface: steel/nylon

壳体：碳钢，镀锌，铬酸盐处理

内圈：轴承钢，热处理硬度HRC58-64，精磨，抛光

外圈：尼龙

摩擦副：钢/尼龙



Bearing No.	Dimensions(mm/Inches)								Ball dia	a° mis. angle	Load ratings (KN)	weight ≈ kg
	d+0.038 -0.012	B	C1	d2	d3 UNF-2B	h	L1	(L2)				
NJM3	4.826	7.92	6.35	15.88	10-32	31.75	19.05	39.69	11.11	10	5.38	0.009
	0.19	0.312	0.25	0.625	10-32	1.25	0.75	1.562	0.437	10	1210	0.02
NJM4	6.35	9.53	7.14	19.05	1/4-28	39.67	25.4	49.2	12.7	13	10.98	0.018
	0.25	0.375	0.281	0.75	1/4-28	1.562	1	1.937	0.5	13	2470	0.04
NJM5	7.938	11.1	8.74	22.23	5/16-24	47.63	31.75	58.75	15.88	10	12.18	0.031
	0.3125	0.437	0.344	0.875	5/16-24	1.875	1.25	2.312	0.625	10	2740	0.07
NJM6	9.525	12.7	10.31	25.4	3/8-24	49.22	31.75	61.92	18.26	9	18.23	0.049
	0.375	0.5	0.406	1	3/8-24	1.938	1.25	2.687	0.719	9	4100	0.11
NJM7	11.11	14.27	11.1	28.58	7/16-20	53.98	34.93	68.27	20.62	11	23.8	0.068
	0.4375	0.562	0.437	1.125	7/16-20	2.125	1.375	2.678	0.812	11	5350	0.15
NJM8	12.7	15.88	12.7	33.32	1/2-20	61.92	38.1	78.58	23.8	9	28.6	0.108
	0.5	0.625	0.5	1.312	1/2-20	2.438	1.5	3.093	0.937	9	6430	0.23
NJM10	15.875	19.05	14.27	38.1	5/8-18	66.68	41.28	85.73	28.58	11	36.9	0.163
	0.625	0.75	0.562	1.5	5/8-18	2.625	1.625	3.375	1.125	11	8300	0.36
NJM12	19.05	22.23	17.45	44.45	3/4-16	73.02	44.45	95.25	33.33	10	48.48	0.258
	0.75	0.875	0.687	1.75	3/4-16	2.875	1.75	3.75	1.312	10	10900	0.57

Can supply rod ends with different pitch or accuracy of thread.

For stud, add suffix "Y". e.g.: NJM12Y

For left-hand thread, suffix "L" is added to bearing numbers. e.g.: NJML12 3/4-16L

Rod ends NXF

杆端关节轴承



3-piece, maintenance - free, metric dimensions

自润滑，公制尺寸

Body: steel alloy,chrome plated

Ball: GCr15 steel, heat treated,hard chromeplated, ground and polished

Race: nylon or equivalent

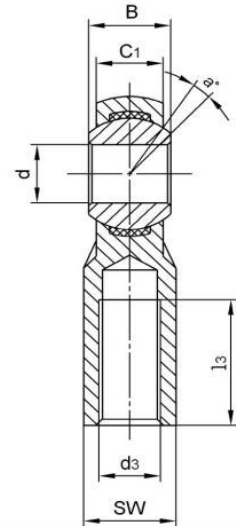
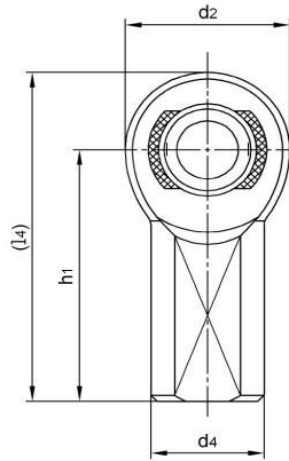
Sliding contact surface: steel/nylon

壳体：合金钢

内圈：轴承钢，热处理硬度HRC58-64，精磨，抛光

外圈：尼龙

摩擦副：钢/尼龙



Bearing No.	Dimensions(mm/inches)										Ball dia	a° mis. angle	Load ratings KN lbs	weight ≈ kg lb
	d+0.038 -0.012	B	C1	d2	d3 UNF-2B	h1	L3	(L4)	d4	sw				
NXF3	4.826	7.92	6.35	15.88	10-32	26.97	11.11	34.91	10.31	7.92	11.11	10	16.6	0.018
	0.19	0.312	0.25	0.625	10-32	1.062	0.437	1.375	0.406	0.312	0.437	10	3733	0.04
NXF4	6.35	9.53	7.14	19.05	1/4-28	33.32	14.27	42.85	11.89	9.52	12.7	13	27.5	0.027
	0.25	0.375	0.281	0.75	1/4-28	1.312	0.562	1.687	0.468	0.375	0.5	13	6190	0.06
NXF5	7.938	11.1	8.74	22.23	5/16-24	34.92	15.88	46.03	12.7	11.1	15.88	10	33.9	0.04
	0.3125	0.437	0.344	0.875	5/16-24	1.375	0.625	1.812	0.5	0.437	0.625	10	7639	0.09
NXF6	9.525	12.7	10.31	25.4	3/8-24	41.28	19.05	53.98	17.45	14.27	18.26	9	42.4	0.063
	0.375	0.5	0.406	1	3/8-24	1.625	0.75	2.125	0.687	0.562	0.719	9	9544	0.14
NXF7	11.11	14.27	11.1	28.58	7/16-20	46.02	22.22	60.31	19.05	15.88	20.62	11	45.7	0.086
	0.4375	0.562	437	1.125	7/16-20	1.812	0.875	2.375	750	625	812	11	10285	0.19
NXF8	12.7	15.88	12.7	33.32	1/2-20	53.98	25.4	70.64	22.22	19.05	23.8	9	72.2	0.14
	0.5	0.625	0.5	1.312	1/2-20	2.125	1	2.781	0.875	0.75	0.937	9	15336	0.31
NXF10	15.875	19.05	14.27	38.1	5/8-18	63.5	31.75	82.55	25.4	22.23	28.58	11	79.8	0.204
	0.625	0.75	0.562	1.5	5/8-18	2.5	1.25	3.25	1	0.875	1.125	11	17955	0.45
NXF12	19.05	22.23	17.45	44.45	3/4-16	73.02	38.1	95.25	28.58	25.4	33.33	10	124.9	0.313
	0.75	0.875	0.687	1.75	3/4-16	2.875	1.5	3.75	1.125	1	1.312	10	28081	0.69

Can supply rod ends with different pitch or accuracy of thread.

For studs, add suffix "Y", example NXF10Y

For left-hand thread, suffix "L" is added to bearing numbers. e.g.:NXFL12 3/4-16L

Rod ends NXM

杆端关节轴承



3-piece, maintenance - free, metric dimensions

自润滑，公制尺寸

Body: steel alloy,chrome plated

Ball: GCr15 steel, heat treated,hard chromeplated, ground and polished

Race: nylon or equivalent

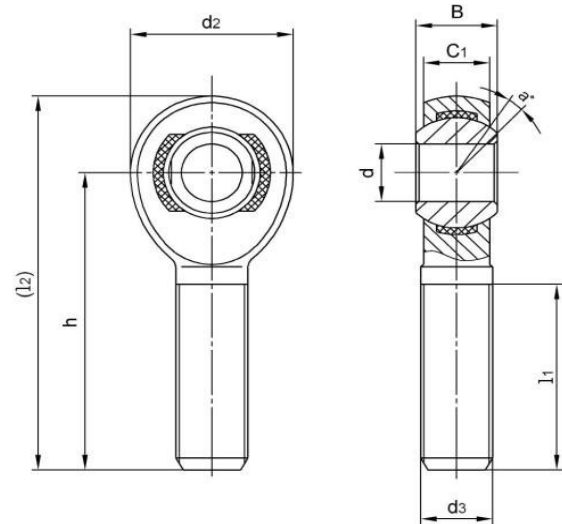
Sliding contact surface: steel/nylon

壳体：合金钢

内圈：轴承钢，热处理硬度HRC58-64，精磨，抛光

外圈：尼龙

摩擦副：钢/尼龙



Bearing No.	Dimensions(mm/inches)								Ball dia	a° mis. angle	Load ratings (KN)	weight ≈ kg
	d+0.038 -0.012	B	C1	d2	d3 UNF-2B	h	L1	(L2)				
NXM3	4.826	7.92	6.35	15.88	10-32	31.75	19.05	39.69	11.11	10	12.6	0.013
	0.19	0.312	0.25	0.625	10-32	1.25	0.75	1.562	0.437	10	2851	0.03
NXM4	6.35	9.53	7.14	19.05	1/4-28	39.67	25.4	49.2	12.7	13	23.3	0.018
	0.25	0.375	0.281	0.75	1/4-28	1.562	1	1.937	0.5	13	5260	0.04
NXM5	7.938	11.1	8.74	22.23	5/16-24	47.63	31.75	58.75	15.88	10	33.9	0.031
	0.3125	0.437	0.344	0.875	5/16-24	1.875	1.25	2.312	0.625	10	7639	0.07
NXM6	9.525	12.7	10.31	25.4	3/8-24	49.22	31.75	61.92	18.26	9	42.4	0.049
	0.375	0.5	0.406	1	3/8-24	1.938	1.25	2.687	0.719	9	9544	0.11
NXM7	11.11	14.27	11.1	28.58	7/16-20	53.98	34.93	68.27	20.62	11	45.7	0.068
	0.4375	0.562	0.437	1.125	7/16-20	2.125	1.375	2.678	0.812	11	10285	0.15
NXM8	12.7	15.88	12.7	33.32	1/2-20	61.92	38.1	78.58	23.8	9	72.2	0.108
	0.5	0.625	0.5	1.312	1/2-20	2.438	1.5	3.093	0.937	9	16238	0.24
NXM10	15.875	19.05	14.27	38.1	5/8-18	66.68	41.28	85.73	28.58	11	79.8	0.163
	0.625	0.75	0.562	1.5	5/8-18	2.625	1.625	3.375	1.125	11	17955	0.36
NXM12	19.05	22.23	17.45	44.45	3/4-16	73.02	44.45	95.25	33.33	10	124.9	0.258
	0.75	0.875	0.687	1.75	3/4-16	2.875	1.75	3.75	1.312	10	28081	0.57

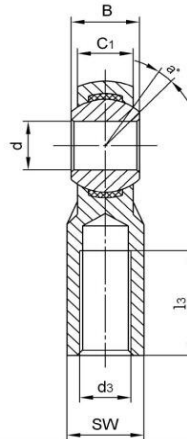
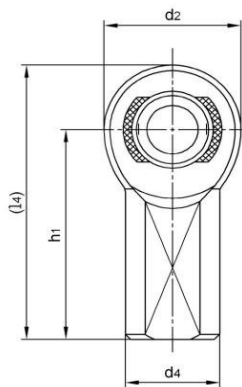
Can supply rod ends with different pitch or accuracy of thread.

For stud, add suffix "Y". e.g.: NXM12Y

For left-hand thread, suffix "L" is added to bearing numbers. e.g.:NXML12 3/4-16L

Metrci Loader Slot Rod Ends MXF and MXM

3-piece, maintenance-free, metric dimneison

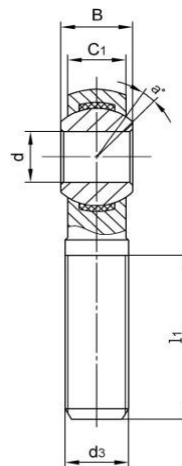
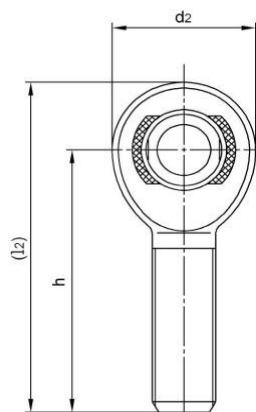


Ball:
GCr15 steel
heat treated
hard chrome plated
ground and polished

Body:
steel alloy
heat treated
protective coated for corrosion
resistance

Race:
nylon or equivalent

Left Hand	Right Hnad	d +0.065 -0.012	B +0.00 -0.13	C1 ±0.12	d2 ±0.38	d3 Thread 6H	h1 ±0.40	L3 +1.50 -0.75	(L4)	d4 ±0.25	SW ±0.25	Ball Dia. Ref.	Misalign Angle a°	Load Ratings (N)	Weight ≈ kg
MXFL5	MXFR5	5	8	6.25	16	M5X0.8	27	14		11	9	11.1	10	22311	0.019
MXFL6	MXFR6	6	9	7	19	M6X1.0	30	14		13	11	12.7	10	34399	0.029
MXFL8	MXFR8	8	12	8.75	22.25	M8X1.25	36	17		16	14	15.88	9	41710	0.051
MXFL10	MXFR10	10	14	10.5	27	M10X1.5	43	21		19	17	19.05	9	63442	0.086
MXFL12	MXFR12	12	16	12	30	M12X1.75	50	24		22	19	22.23	11	68147	0.124
MXFL14	MXFR14	14	19	13.5	34.75	M14X2.0	57	27		25	22	25.4	11	90386	0.184
MXFL16	MXFR16	16	21	14.25	38	M16X2.0	64	33		27	22	28.58	9	97714	0.223



Ball:
GCr15 steel
heat treated
hard chrome plated
ground and polished

Body:
steel alloy
heat treated
protective coated for corrosion
resistance

Race:
nylon or equivalent

Left Hand	Right Hnad	d +0.065 -0.012	B +0.00 -0.13	C1 ±0.12	d2 ±0.38	d3 Thread 6H	h ±0.40	L1 +1.50 -0.75	(L2)	SW ±0.25	Ball Dia. Ref.	Misalign Angle a°	Load Ratings (N)	Weight ≈ kg
MXML5	MXMR5	5	8	6.25	16	M5X0.8	33	20		9	11.1	14	12848	0.012
MXML6	MXMR6	6	9	7	19	M6X1.0	36	22		11	12.7	13	18186	0.019
MXML8	MXMR8	8	12	8.75	22.25	M8X1.25	42	25		14	15.88	18	33114	0.033
MXML10	MXMR10	10	14	10.5	27	M10X1.5	48	29		17	19.05	17	52476	0.057
MXML12	MXMR12	12	16	12	30	M12X1.75	54	33		19	22.23	17	68147	0.082
MXML14	MXMR14	14	19	13.5	34.75	M14X2.0	60	36		22	25.4	21	90386	0.125
MXML16	MXMR16	16	21	14.25	38	M16X2.0	66	40		22	28.58	23	97714	0.168

Rod ends SI...ZK

杆端关节轴承



3-piece, maintenance-free, metric dimensions

免维护，公制尺寸

Body: carbon steel, zinc plated

壳体：碳钢，镀锌

Ball: chrome steel, heat treated HRC58-64, precision ground, polished, hard chrome plated

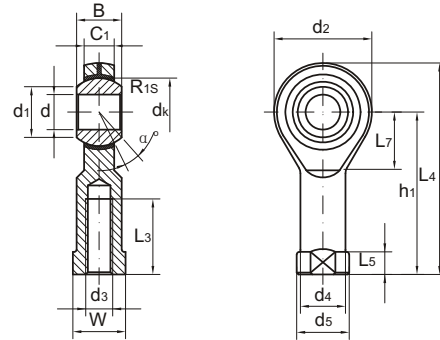
内圈：轴承钢，精磨，抛光，镀铬

Outer ring: with moulded Nylon/Teflon/Fiberglass compound insert.

外圈：外圈用注塑工艺成型

Sliding contact surface: steel/PTFE

滑动摩擦副：钢/PTFE



Part No. 型号	Dimensions 尺寸mm														Load ratings 负荷KN		Weight 重量Kg	
	d	d ₃ 6H	B	C ₁	W	L ₃ min	d ₂	L ₄	h ₁	L ₅	d ₄	d ₅	d _k	d ₁	α ≈	dyn. 动 C _d		stat. 静 C _s
SI 4 ZK	4	M4×0.7	7	5.25	8	8	14	31	24	4	8	9.5	9.525	6.5	13	3.0	5.0	0.009
SI 5 ZK	5	M5×0.8	8	6	9	10	16	35	27	4	8.5	11	11.11	7.70	13	3.25	5.70	0.016
SI 6 ZK	6	M6×1.0	9	6.75	11	12	18	39	30	5	10	13	12.70	8.96	13	4.3	7.20	0.022
SI 8 ZK	8	M8×1.25	12	9	14	16	22	47	36	5	12.5	16	15.875	10.4	14	7.2	11.6	0.047
SI 10 ZK	10	M10×1.5	14	10.5	17	20	26	56	43	6.5	15	19	19.05	12.9	13	10	14.5	0.077
SI 10-1 ZK	10	M10×1.25	14	10.5	17	20	26	56	43	6.5	15	19	19.05	12.9	13	10	14.5	0.077
SI 12 ZK	12	M12×1.75	16	12	19	22	30	65	50	6.5	17.5	22	22.225	15.4	13	13.4	17	0.10
SI 12-1 ZK	12	M12×1.25	16	12	19	22	30	65	50	6.5	17.5	22	22.225	15.4	13	13.4	17	0.10
SI 14 ZK	14	M14×2.0	19	13.5	22	25	34	74	57	8	20	25	22.40	16.9	16	17	24	0.16
SI 14-1 ZK	14	M14×1.5	19	13.5	22	25	34	74	57	8	20	25	25.40	16.9	16	17	24	0.16
SI 16 ZK	16	M16×2.0	21	15	22	28	40	84	64	8	22	27	28.575	19.4	15	21.6	28.5	0.22
SI 16-1 ZK	16	M16×1.5	21	15	22	28	40	84	64	8	22	27	28.575	19.4	15	21.6	28.5	0.22
SI 18 ZK	18	M18×1.5	23	16.5	27	32	44	93	71	10	25	31	31.75	21.9	15	26	42.5	0.32
SI 20 ZK	20	M20×1.5	25	18	30	33	50	102	77	10	27.5	34	34.925	24.4	14	31.5	42.5	0.42
SI 22 ZK	22	M22×1.5	28	20	32	37	54	111	84	12	30	38	38.10	25.8	15	38	57	0.54
SI 25 ZK	25	M24×2.0	31	22	36	42	60	124	94	12	33.5	42	42.86	29.6	15	47.5	68	0.73
SI 28 ZK	28	M27×2.0	35	24	41	48	66	136	103	14	37	46	47.63	32.3	15	58	75	0.98
SI 30 ZK	30	M30×2.0	37	25	41	51	70	145	110	15	40	50	50.8	34.8	17	64	88	1.10
SI 30-1 ZK	30	M27×2.0	37	25	41	51	70	145	110	15	40	50	50.8	34.8	17	64	88	1.10

-For left-hand thread, please add suffix"L", e.g. SIL 8 ZK.

-若是左旋螺纹，轴承型号需加“L”，例如：SIL 8 ZK。

Rod ends SA...ZK

杆端关节轴承



3-piece, maintenance-free, metric dimensions

免维护，公制尺寸

Body: carbon steel, zinc plated

Ball: chrome steel, heat treated HRC58-64, precision ground, polished, hard chrome plated

Outer ring: with moulded Nylon/Teflon/Fiberglass compound insert.

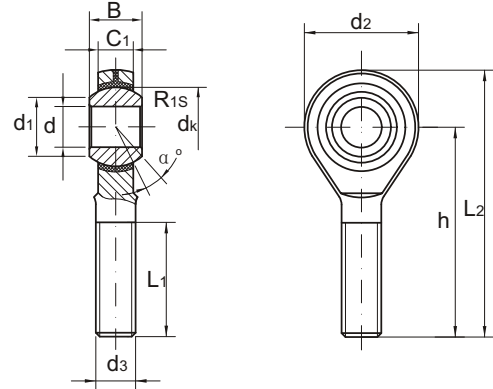
Sliding contact surface: steel/PTFE

壳体：碳钢，镀锌

内圈：轴承钢，精磨，抛光，镀铬

外圈：外圈用注塑工艺成型

滑动摩擦副：钢/PTFE

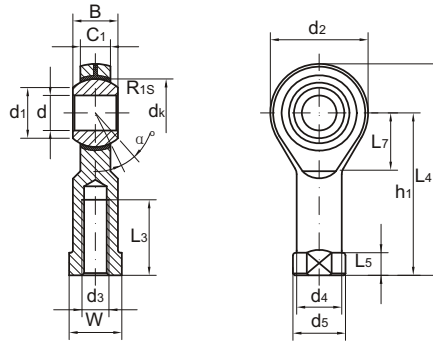


Part No. 型号	Dimensions 尺寸mm												Load ratings 负荷KN		Weight 重量Kg
	d	d ₃ d _g	B	C ₁	L ₁ min	d ₂	h	L ₂	d _k	R _{1s}	d ₁	α ≈	dyn. 动 C _d	stat. 静 C _s	
SA 5 ZK	5	M5×0.8	8	6	20	16	33	41	11.11	0.3	7.70	13	3.25	5.70	0.013
SA 6 ZK	6	M6×1.0	9	6.75	22	18	36	45	12.70	0.3	8.96	13	4.30	7.20	0.020
SA 8 ZK	8	M8×1.25	12	9	25	22	42	53	15.875	0.3	10.4	14	7.20	11.6	0.030
SA 10 ZK	10	M10×1.5	14	10.5	29	26	48	61	19.05	0.3	12.9	13	10	14.5	0.055
SA 12 ZK	12	M12×1.75	16	12	33	30	54	69	22.225	0.3	15.4	13	13.4	17	0.085
SA 12-1 ZK	12	M12×1.25	16	12	33	30	54	69	22.225	0.3	15.4	13	13.4	17	0.085
SA 14 ZK	14	M14×2.0	19	13.5	36	34	60	77	25.40	0.3	16.9	16	17	24	0.14
SA 16 ZK	16	M16×2.0	21	15	40	40	66	86	28.575	0.3	19.4	15	21.6	28.5	0.21
SA 16-1 ZK	16	M16×1.5	21	15	40	40	66	86	28.575	0.3	19.4	15	21.6	28.5	0.21
SA 18 ZK	18	M18×1.5	23	16.5	44	44	72	94	31.75	0.3	21.9	15	26	42.5	0.28
SA 20 ZK	20	M20×1.5	25	18	47	50	78	103	34.925	0.3	24.4	14	31.5	52.5	0.38
SA 22 ZK	22	M22×1.5	28	20	51	54	84	111	38.10	0.3	25.8	15	38	57	0.48
SA 25 ZK	25	M24×2.0	31	22	57	60	94	124	42.86	0.3	29.6	15	47.5	68	0.64
SA 28 ZK	28	M27×2.0	35	24	62	66	103	136	47.63	0.3	32.3	15	58	75.5	0.96
SA 30 ZK	30	M30×2.0	37	25	66	70	110	145	50.8	0.3	34.8	17	64	88	1.10

-For left-hand thread, please add suffix "L", e.g. SAL 8 ZK.

-若是左旋螺纹，轴承型号需加“L”，例如：SAL 8 ZK。

Aluminum Rod End AXF



Ball:
GCr15 steel
heat treated
hard chrome plated
precision ground and polished

Body:
aluminum 7075-T6
or 6061-T6
color anodized red
(blue black or silver)

Race:
with moulded Nylon/Telfon/
Fiberglass compound insert

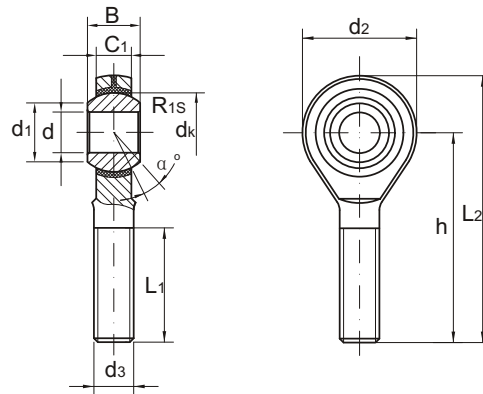
METRIC DIMENSION

Left Hand	Right Hand	d H7	B +0 -0.1	d1 ±0.5 ~1.0	C1 +0 -0.1	d2 ±0.5 ~1.0	h1 ±0.5 ~1.0	L3 +2 -0	d4 ±0.5 ~1.0	d5 ±0.5 ~1.0	L5 ±0.5 ~1.0	W +0 -0.2	d3 H6	mis angle a°	Ball Dia.	Load ratings (kgf)	Weight (g)
AXF 6 L	AXF 6 R	6	9	8.9	6.7	19	30	14	10	13	5	11	M6x1.0	13	12.7	1,320	18
AXF 8 LF	AXF 8 RF	8	12	10.4	9	23.5	36	17	13	16	5	14	M8x1.0	13	15.88	1,630	27
AXF 8 L	AXF 8 R	8	12	10.4	9	23.5	36	17	13	16	5	14	M8x1.25	13	15.88	1,630	27
AXF 10 LF	AXF 10 RF	10	14	12.9	10.5	27	45	21	15	19	7	17	M10x1.25	13	19.05	2,040	50
AXF 10 L	AXF 10 R	10	14	12.9	10.5	27	45	21	15	19	7	17	M10x1.5	13	19.05	2,040	50
AXF 12 LF	AXF 12 RF	12	16	15.4	12	32	50	24	18	22	7	19	M12x1.25	13	22.23	3,180	75
AXF 12 L	AXF 12 R	12	16	15.4	12	32	50	24	18	22	7	19	M12x1.75	13	22.23	3,180	75

INCH DIMENSION

Left Hand	Right Hand	d H7	B +0 -0.004	d1 ±0.02 ~0.04	C1 +0 -0.004	d2 ±0.02 ~0.04	h1 ±0.02 ~0.04	L3 +0.08 -0	d4 ±0.02 ~0.04	d5 ±0.02 ~0.04	L5 ±0.02 ~0.04	W +0 -0.08	d3 UNF	mis angle a°	Ball Dia.	Load ratings (kgf)	Weight (g)
AXF 1/4 L	AXF 1/4 R	0.25	0.354	0.35	0.264	0.748	1.181	0.551	0.394	0.512	0.197	0.433	1/4-28	13	0.5	2,900	0.04
AXF 5/16 L	AXF 5/16 R	0.3125	0.472	0.409	0.354	0.925	1.417	0.669	0.512	0.63	0.197	0.551	5/16-24	13	0.625	3,600	0.06
AXF 3/8 L	AXF 3/8 R	0.375	0.551	0.508	0.433	1.063	1.772	0.827	0.59	0.748	0.256	0.669	3/8-24	13	0.75	4,500	0.11
AXF 1/2 L	AXF 1/2 R	0.5	0.63	0.606	0.472	1.26	1.969	0.945	0.709	0.866	0.256	0.748	1/2-20	13	0.875	7,000	0.17

Aluminum Rod End AXM



Ball:
GCr15 steel
heat treated
hard chrome plated
precision ground and polished

Body:
aluminum 7075-T6
or 6061-T6
color anodized red
(blue black or silver)

Race:
with moulded Nylon/Telfon/
Fiberglass compound insert

METRIC DIMENSION

Left Hand	Right Hand	d H7	B +0 -0.004	d1 ±0.02 ~0.04	C1 +0 -0.004	d2 ±0.02 ~0.04	h1 ±0.02 ~0.04	L3 +0.08 -0	d3 thread	mis angle a°	Ball Dia.	Load ratings (kgf)	Weight (g)
AXM 6 L	AXM 6 R	6	9	8.9	6.7	19	36	24	M6x1.0	13	12.7	1140	14
AXM 8 LF	AXM 8 RF	8	12	10.4	9	23.5	42	26	M8x1.0	13	15.88	1450	23
AXM 8 L	AXM 8 R	8	12	10.4	9	23.5	42	26	M8x1.25	13	15.88	1450	23
AXM 10 LF	AXM 10 RF	10	14	12.9	10.5	26	48	30	M10x1.25	13	19.05	2040	23
AXM 10 L	AXM 10 R	10	14	12.9	10.5	26	48	30	M10x1.5	13	19.05	2040	23
AXM 12 LF	AXM 12 RF	12	16	15.4	12	30	54	35	M12x1.25	13	22.23	3500	55
AXM 12 L	AXM 12 R	12	16	15.4	12	30	54	35	M12x1.75	13	22.23	3500	55
AXM 16 LF	AXM 16 RF	16	21	19.3	15	38	66	40	M16x1.5	15	28.58	3900	82
AXM 16 L	AXM 16 R	16	21	19.3	15	38	66	40	M16x2.0	15	28.58	3900	82
AXM 18 L	AXM 18 R	18	23	21.8	17	44	72	46	M18x1.5	15	31.75	4990	110
AXM 20 L	AXM 20 R	20	25	24.3	18	47	78	48	M20x1.5	15	34.93	6080	132

INCH DIMENSION

Left Hand	Right Hand	d H7	B +0 -0.004	d1 ±0.02 ~0.04	C1 +0 -0.004	d2 ±0.02 ~0.04	h1 ±0.02 ~0.04	L3 +0.08 -0	d3 thread UNF	mis angle a°	Ball Dia.	Load ratings (kgf)	Weight (g)
AXM 1/4 L	AXM 1/4 R	0.25	0.354	0.35	0.264	0.748	1.417	0.945	1/4-28	13	0.5	2500	0.03
AXM 5/16 L	AXM 5/16 R	0.3125	0.472	0.409	0.354	0.925	1.654	1.024	5/16-24	13	0.625	3200	0.05
AXM 3/8 L	AXM 3/8 R	0.375	0.551	0.508	0.413	1.024	1.89	1.181	3/8-24	13	0.75	4500	0.05
AXM 1/2 L	AXM 1/2 R	0.5	0.63	0.606	0.472	1.181	2.126	1.378	1/2-20	13	0.875	7700	0.12
AXM 5/8 L	AXM 5/8 R	0.625	0.827	0.76	0.59	1.496	2.598	1.575	5/8-18	15	1.125	8600	0.18
AXM 3/4 L	AXM 3/4 R	0.75	0.906	0.858	0.669	1.732	2.835	1.811	3/4-16	15	1.25	13400	0.29

Rod ends NAF

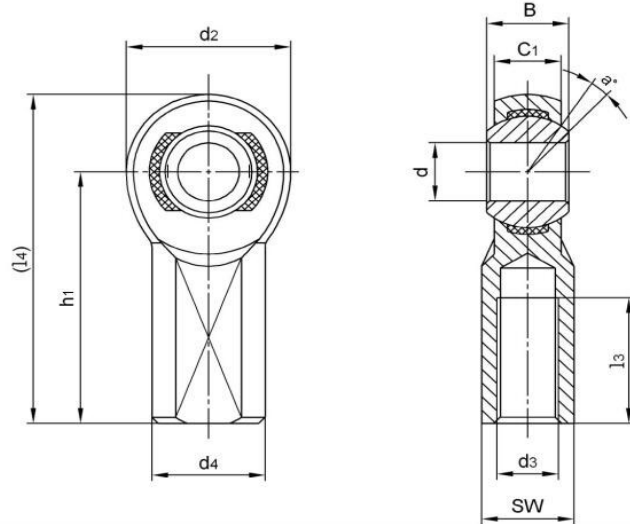
杆端关节轴承



Light weight, high strength aircraft aluminum alloy forging body 自润滑，英制尺寸

Body: aircraft aluminum 7075-T6 or 6061-T6, color anodized red (blue or silver)
Ball: chrome steel, heat treated,hard chrome plated,precision ground
Race: nylon or equivalent
Sliding contact surface: aluminum/nylon

壳体: 铝合金
 内圈: 轴承钢, 热处理硬度HRC58-64, 精磨, 抛光
 外圈: 尼龙
 摩擦副: 铝合金/尼龙



Bearing No.	Dimensions(mm/inches)										Ball dia	a° mis. angle	Load ratings (KN)	weight ≈ kg
	d+0.038 -0.012	B	C1	d2	d3 UNF-2B	h1	L3	(L4)	d4	sw				
NAF3	4.826	7.92	6.35	15.88	10-32	26.97	11.11	34.91	10.31	7.92	11.11	10	6.5	0.013
	0.19	0.312	0.25	0.625	10-32	1.062	0.437	1.375	0.406	0.312	0.437	10	1453	0.03
NAF4	6.35	9.53	7.14	19.05	1/4-28	33.32	14.27	42.85	11.89	9.52	12.7	13	10.5	0.018
	0.25	0.375	0.281	0.75	1/4-28	1.312	0.562	1.687	0.468	0.375	0.5	13	2363	0.04
NAF5	7.938	11.1	8.74	22.23	5/16-24	34.92	15.88	46.03	12.7	11.1	15.88	10	12.3	0.027
	0.3125	0.437	0.344	0.875	5/16-24	1.375	0.625	1.812	0.5	0.437	0.625	10	2780	0.06
NAF6	9.525	12.7	10.31	25.4	3/8-24	41.28	19.05	53.98	17.45	14.27	18.26	9	13.4	0.50
	0.375	0.5	0.406	1	3/8-24	1.625	0.75	2.125	0.687	0.562	0.719	9	3682	0.11
NAF7	11.11	14.27	11.1	28.58	7/16-20	46.02	22.22	60.31	19.05	15.88	20.62	11	18.7	0.086
	0.4375	0.562	437	1.125	7/16-20	1.812	0.875	2.375	750	625	812	11	4203	0.19
NAF8	12.7	15.88	12.7	33.32	1/2-20	53.98	25.4	70.64	22.22	19.05	23.8	9	44.5	0.14
	0.5	0.625	0.5	1.312	1/2-20	2.125	1	2.781	0.875	0.75	0.937	9	10001	0.31
NAF10	15.875	19.05	14.27	38.1	5/8-18	63.5	31.75	82.55	25.4	22.23	28.58	11	49.9	0.204
	0.625	0.75	0.562	1.5	5/8-18	2.5	1.25	3.25	1	0.875	1.125	11	11226	0.45
NAF12	19.05	22.23	17.45	44.45	3/4-16	73.02	38.1	95.25	28.58	25.4	33.33	10	74.9	0.313
	0.75	0.875	0.687	1.75	3/4-16	2.875	1.5	3.75	1.125	1	1.312	10	16848	0.69

Can supply rod ends with different pitch or accuracy of thread.

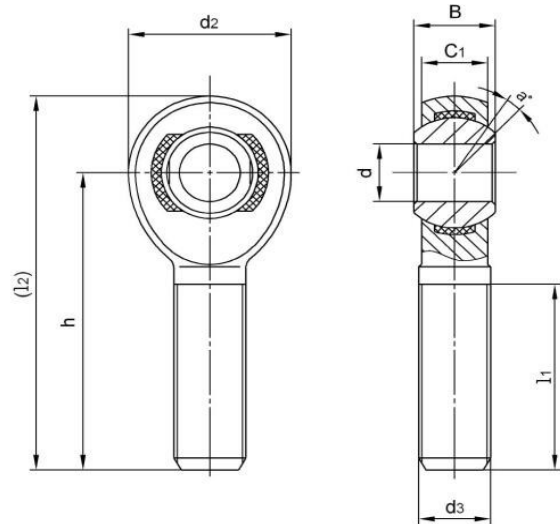
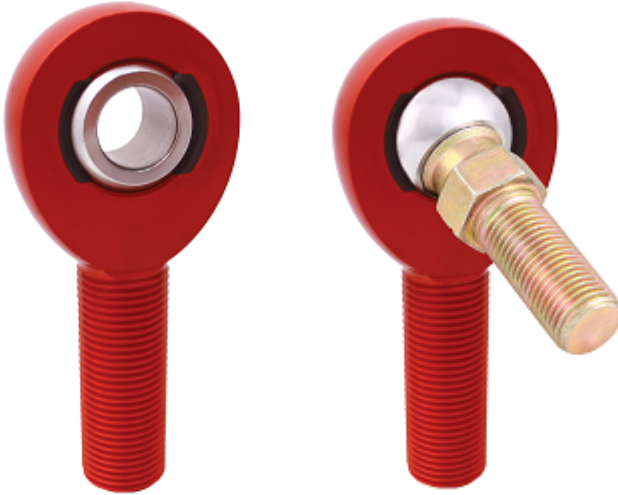
For studs, add suffix "Y", example NAF10Y

For left-hand thread, suffix "L" is added to bearing numbers. e.g.:NAFL12 3/4-16L

Light weight, high strength aircraft aluminum alloy forging body 自润滑，英制尺寸

Body: aircraft aluminum 7075-T6 or 6061-t6, color anodized red (blue or silver)
Ball: chrome steel, heat treated,hard chrome plated,precision ground
Race: nylon or equivalent
Sliding contact surface: aluminum/nylon

壳体：铝合金
 内圈：轴承钢，热处理硬度HRC58-64，精磨，抛光
 外圈：尼龙
 摩擦副：铝合金/尼龙



Bearing No.	Dimensions(mm/inches)								Ball dia	a° mis. angle	Load ratings (KN)	weight ≈ kg
	d+0.038 -0.012	B	C1	d2	d3 UNF-2B	h	L1	(L2)				
NAM3	4.826	7.92	6.35	15.88	10-32	31.75	19.05	39.69	11.11	10	3.5	0.009
	0.19	0.312	0.25	0.625	10-32	1.25	0.75	1.562	0.437	10	788	0.02
NAM4	6.35	9.53	7.14	19.05	1/4-28	39.67	25.4	49.2	12.7	13	6.4	0.013
	0.25	0.375	0.281	0.75	1/4-28	1.562	1	1.937	0.5	13	1433	0.03
NAM5	7.938	11.1	8.74	22.23	5/16-24	47.63	31.75	58.75	15.88	10	10.15	0.022
	0.3125	0.437	0.344	0.875	5/16-24	1.875	1.25	2.312	0.625	10	2284	0.05
NAM6	9.525	12.7	10.31	25.4	3/8-24	49.22	31.75	61.92	18.26	9	15.4	0.022
	0.375	0.5	0.406	1	3/8-24	1.938	1.25	2.687	0.719	9	3457	0.05
NAM7	11.11	14.27	11.1	28.58	7/16-20	53.98	34.93	68.27	20.62	11	21.35	0.041
	0.4375	0.562	0.437	1.125	7/16-20	2.125	1.375	2.678	0.812	11	4800	0.09
NAM8	12.7	15.88	12.7	33.32	1/2-20	61.92	38.1	78.58	23.8	9	34.25	0.054
	0.5	0.625	0.5	1.312	1/2-20	2.438	1.5	3.093	0.937	9	7700	0.12
NAM10	15.875	19.05	14.27	38.1	5/8-18	66.68	41.28	85.73	28.58	11	38.25	0.081
	0.625	0.75	0.562	1.5	5/8-18	2.625	1.625	3.375	1.125	11	8600	0.18
NAM12	19.05	22.23	17.45	44.45	3/4-16	73.02	44.45	95.25	33.33	10	59.6	0.13
	0.75	0.875	0.687	1.75	3/4-16	2.875	1.75	3.75	1.312	10	13400	0.29

Can supply rod ends with different pitch or accuracy of thread.

For stud, add suffix "Y". e.g.: NAM12Y

For left-hand thread, suffix "L" is added to bearing numbers. e.g.:NAML12 3/4-16L