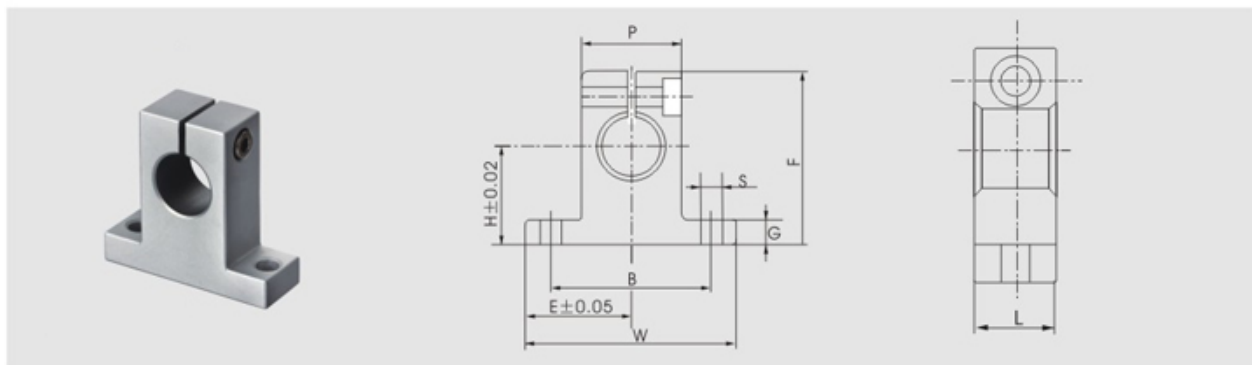
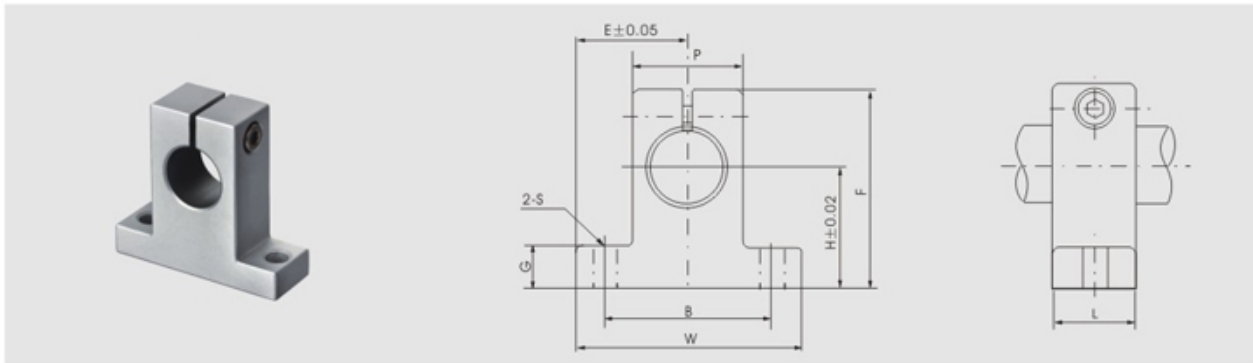


MODEL NO.	SHAFT DIAMETER	MAIN DIMENSIONS										DESIGNATION OF CLAMPING BOLT	DESIGNATION OF MOUNTING BOLT	WEIGHT (Kg)
		H	E	W	L	F	G	P	B	S				
SK3	3	20	21	42	14	32.8	6	18	32	5.5	M4	M5	0.024	
SK4	4	20	21	42	14	32.8	6	18	32	5.5	M4	M5	0.024	
SK5	5	20	21	42	14	32.8	6	18	32	5.5	M4	M5	0.024	
SK6	6	20	21	42	14	32.8	6	18	32	5.5	M4	M5	0.024	
SK8	8	20	21	42	14	32.8	6	18	32	5.5	M4	M5	0.024	
SK10	10	20	21	42	14	32.8	6	18	32	5.5	M4	M5	0.024	
SK12	12	23	21	42	14	37.5	6	20	32	5.5	M4	M5	0.030	
SK13	13	23	21	42	14	37.5	6	20	32	5.5	M4	M5	0.030	
SK16	16	27	24	48	16	44	8	25	38	5.5	M4	M5	0.040	
SK20	20	31	30	60	20	51	10	30	45	6.6	M5	M6	0.070	
SK25	25	35	35	70	24	60	12	38	56	6.6	M6	M6	0.130	
SK30	30	42	42	84	28	70	12	44	64	9	M6	M8	0.180	
SK35	35	50	49	98	32	82	15	50	74	11	M8	M10	0.270	
SK40	40	60	57	114	36	96	15	60	90	11	M8	M10	0.420	
SK50	50	70	63	126	40	120	18	74	100	14	M12	M12	0.750	

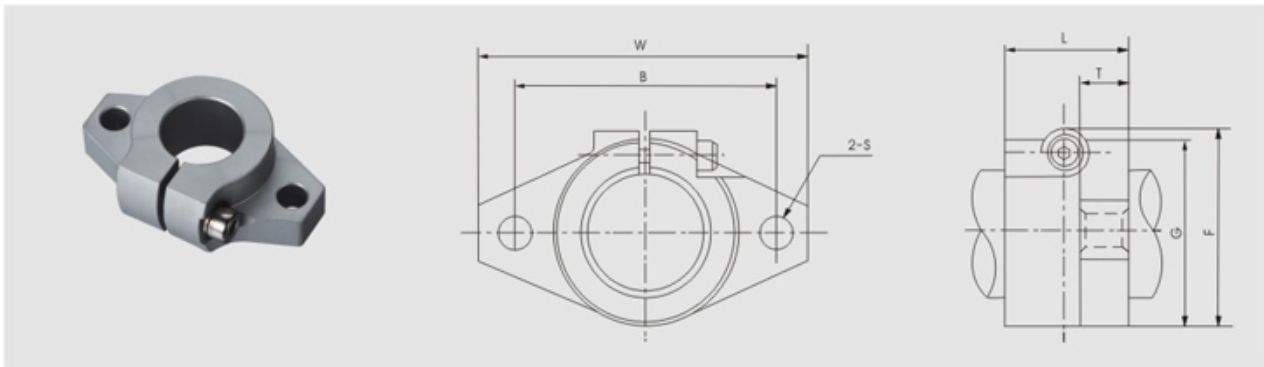


MODEL NO.	SHAFT DIAMETER	MAIN DIMENSIONS									WEIGHT (Kg)
		H	E	W	L	F	G	P	B	S	
PA12	12	20	21	42	12	35	5.5	20	32	4.3	0.021
PA16	16	25	25	50	16	42	6.5	26	40	4.3	0.040
PA20	20	30	30	60	20	50	8	32	45	4.3	0.075
PA25	25	35	37	74	25	58	9	38	60	5.3	0.130
PA30	30	40	42	84	28	68	10	45	68	6.4	0.195



MODEL NO.	SHAFT DIAMETER	MAIN DIMENSIONS									WEIGHT (Kg)
		H	E	W	L	F	G	P	B	S	
SKW04	0.25" 6.35	0.6875" 17.463	0.75" 19.05	1.50" 38.10	0.50" 12.70	1.063" 27	0.25" 6.35	0.50" 12.70	1.125" 28.575	0.156" 4.0	0.015
SKW06	0.375" 9.525	0.75" 19.05	0.8125" 20.637	1.625" 41.28	0.563" 14.3	1.187" 30.16	0.25" 6.35	0.688" 17.46	1.25" 31.75	0.156" 4.0	0.021
SKW08	0.50" 12.70	1.0" 25.40	1.0" 25.40	2.00" 50.80	0.63" 16	1.63" 41.4	0.25" 6.35	0.88" 22.35	1.50" 38.10	0.188" 4.8	0.035
SKW10	0.625" 15.875	1.0" 25.40	1.25" 31.75	2.5" 63.5	0.688" 17.46	1.78" 44.45	0.31" 7.88	1.0" 25.40	1.875" 47.625	0.218" 5.6	0.052
SKW12	0.75" 19.05	1.25" 31.75	1.25" 31.75	2.5" 63.5	0.75" 19.05	2.13" 54.1	0.31" 7.88	1.25" 31.75	2.00" 50.80	0.218" 5.6	0.082
SKW16	1.0" 25.40	1.50" 38.10	1.5315" 38.9	3.063" 77.8	1.0" 25.40	2.56" 65	0.38" 9.65	1.50" 38.10	2.5" 63.5	0.281" 7.2	0.145
SKW20	1.25" 31.75	1.75" 44.45	1.875" 47.625	3.75" 95.25	1.13" 28.7	3" 76.2	0.44" 11.18	2.00" 50.80	3" 76.2	0.346" 8.8	0.254
SKW24	1.50" 38.10	2.00" 50.80	2.1875" 55.563	4.375" 111.125	1.25" 31.75	3.5" 88.9	0.50" 12.70	2.25" 57.15	3.5" 88.9	0.346" 8.8	0.362
SKW32	2.00" 50.80	2.5" 63.5	2.75" 69.85	5.5" 139.7	1.50" 38.10	4.5" 114.3	0.63" 16	3" 76.2	4.5" 114.3	0.406" 10.5	0.716

SHF HORIZONTAL SHAFT SUPPORT



MODEL NO.	SHAFT DIAMETER	MAIN DIMENSIONS							DESIGNATION OF CLAMPING BOLT	DESIGNATION OF MOUNTING BOLT	WEIGHT (Kg)
		W	L	T	F	G	B	S			
SHF3	3	43	10	5	24	20	32	5.5	M4	M5	0.013
SHF4	4	43	10	5	24	20	32	5.5	M4	M5	0.013
SHF5	5	43	10	5	24	20	32	5.5	M4	M5	0.013
SHF6	6	43	10	5	24	20	32	5.5	M4	M5	0.013
SHF8	8	43	10	5	24	20	32	5.5	M4	M5	0.013
SHF10	10	43	10	5	24	20	32	5.5	M4	M5	0.013
SHF12	12	47	13	7	28	25	36	5.5	M4	M5	0.020
SHF13	13	47	13	7	28	25	36	5.5	M4	M5	0.020
SHF16	16	50	16	8	31	28	40	5.5	M4	M5	0.027
SHF20	20	60	20	8	37	34	48	7	M5	M6	0.040
SHF25	25	70	25	10	42	40	56	7	M5	M6	0.060
SHF30	30	80	30	12	50	46	64	9	M6	M8	0.110
SHF35	35	92	35	14	58	50	72	12	M8	M10	0.380
SHF40	40	102	40	16	67	56	80	12	M10	M10	0.510
SHF50	50	122	50	19	83	70	96	14	M12	M12	0.890

