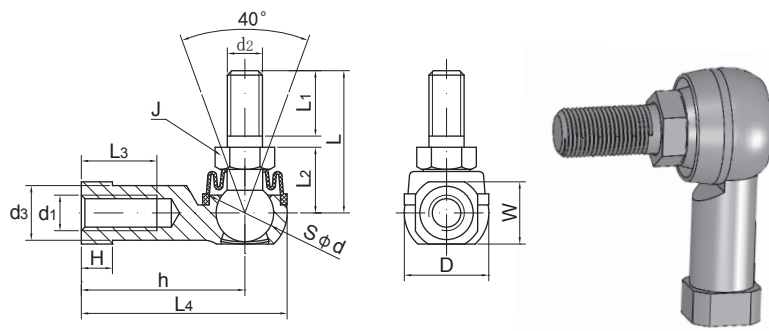


球头杆端关节轴承 BL..D/BD 系列

BALL JOINTS BL..D/BD SERIES

角度接头 Angle joint



壳体Housing	伸出杆Stud
锌基合金Zinc base alloy	碳钢Carbon steel 发黑Black oxidized
摩擦副Sliding contact surfaces: 锌合金/钢 Alloy/Steel	

型号 Part No.		尺寸 Dimensions														mm	载荷 Load ratings kN	重量 Weight kg
右螺纹 Right hand	左螺纹 Left hand	d ₁ 6H	d ₂ 6g	d ₃	L ₁ min	L ₂	L	L ₃ min	L ₄	h	H	W	D	J	Sφd			
BL 6 D	BL 6 DL	M6×1.0	M6×1.0	10	11	11	26	16	38	30	5	11	16	10	11.11	9.9	0.037	
BL 8 D	BL 8 DL	M8×1.25	M8×1.25	13	12	14	31	19	45.5	36	6	14	19	12	12.7	12.5	0.066	
BL 10 D	BL 10 DL	M10×1.5	M10×1.5	14.5	21	17	43	23	55.5	43	7	17	25	14	15.88	18.3	0.11	
BL 10-1 D	BL 10-1 DL	M10×1.25	M10×1.25	14.5	15	17	37	23	55.5	43	7	17	25	14	15.88	18.3	0.11	
BL 12 D	BL 12 DL	M12×1.75	M12×1.75	17.5	24	19	49	26	64.5	50	8	19	29	17	19.05	26.7	0.16	
BL 12-1 D	BL 12-1 DL	M12×1.25	M12×1.25	17.5	17	19	42	26	64.5	50	8	19	29	17	19.05	26.7	0.16	
BL 16 D	BL 16 DL	M16×2.0	M16×2.0	22	29	23.5	66	34	83	64	11	24	38	22	22.23	36.4	0.33	
BL 16 D	BL 16 DL	M16×1.5	M16×1.5	22	23	23.5	60	34	83	64	11	24	38	22	22.23	36.4	0.33	