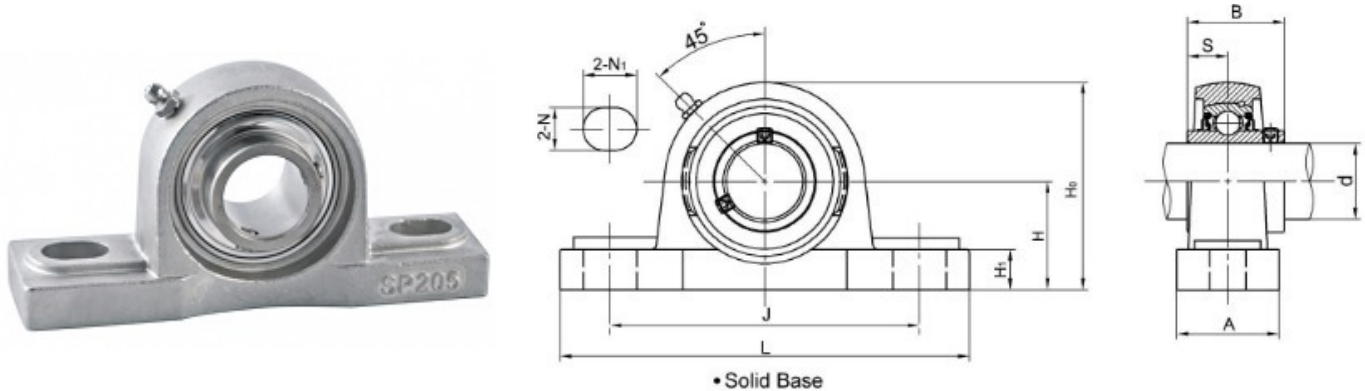


All stainless steel pillow blocks, Solid base housing, Setscrew locking



Unit No.	Shaft Dia		Dimensions(mm)										Bolt Size (mm)	Weight (kg)
	d		H	L	J	A	N	N1	H1	Ho	B	S		
Solid base housing	(in)	(mm)												
SSUCP204ESB		20	33.3	127	95	38	13	19	15	64	31	12.7	M10	0.79
SSUCP204-12ESB	3/4		33.3	127	95	38	13	19	15	64	31	12.7	M10	0.79
SSUCP205ESB		25	36.5	140	105	38	13	19	16.5	70	34.1	14.3	M10	0.95
SSUCP205-14ESB	7/8		36.5	140	105	38	13	19	16.5	70	34.1	14.3	M10	0.95
SSUCP205-15ESB	15/16		36.5	140	105	38	13	19	16.5	70	34.1	14.3	M10	0.95
SSUCP205-16ESB	1		36.5	140	105	38	13	19	16.5	70	34.1	14.3	M10	0.95
SSUCP206ESB		30	42.9	165	121	48	17	21	18	82	38.1	15.9	M12	1.49
SSUCP206-17ESB	1-1/16		42.9	165	121	48	17	21	18	82	38.1	15.9	M12	1.49
SSUCP206-18ESB	1-1/8		42.9	165	121	48	17	21	18	82	38.1	15.9	M12	1.49
SSUCP206-19ESB	1-3/16		42.9	165	121	48	17	21	18	82	38.1	15.9	M12	1.49
SSUCP206-20ESB	1-1/4		42.9	165	121	48	17	21	18	82	38.1	15.9	M12	1.49
SSUCP207ESB		35	47.6	167	127	48	17	21	19	92	42.9	17.5	M12	1.93
SSUCP207-20ESB	1-1/4		47.6	167	127	48	17	21	19	92	42.9	17.5	M12	1.93
SSUCP207-21ESB	1-5/16		47.6	167	127	48	17	21	19	92	42.9	17.5	M12	1.93
SSUCP207-22ESB	1-3/8		47.6	167	127	48	17	21	19	92	42.9	17.5	M12	1.93
SSUCP207-23ESB	1-7/16		47.6	167	127	48	17	21	19	92	42.9	17.5	M12	1.93
SSUCP208ESB		40	49.2	184	137	54	17	22	19	99	49.2	19	M12	2.26
SSUCP208-24ESB	1-1/2		49.2	184	137	54	17	22	19	99	49.2	19	M12	2.26
SSUCP208-25ESB	1-9/16		49.2	184	137	54	17	22	19	99	49.2	19	M12	2.26
SSUCP209ESB		45	54	190	146	54	17	22	20	108	49.2	19	M12	2.76
SSUCP209-26ESB	1-5/8		54	190	146	54	17	22	20	108	49.2	19	M12	2.76
SSUCP209-27ESB	1-11/16		54	190	146	54	17	22	20	108	49.2	19	M12	2.76
SSUCP209-28ESB	1-3/4		54	190	146	54	17	22	20	108	49.2	19	M12	2.76
SSUCP210ESB		50	57.2	206	159	60	20	25	22	112	51.6	19	M16	3.31
SSUCP210-30ESB	1-7/8		57.2	206	159	60	20	25	22	112	51.6	19	M16	3.31
SSUCP210-31ESB	1-15/16		57.2	206	159	60	20	25	22	112	51.6	19	M16	3.31
SSUCP210-32ESB	2		57.2	206	159	60	20	25	22	112	51.6	19	M16	3.31
SSUCP211ESB		55	63.5	219	171	60	20	25	23	124	55.6	22.2	M16	3.98
SSUCP211-32ESB	2		63.5	219	171	60	20	25	23	124	55.6	22.2	M16	3.98
SSUCP211-34ESB	2-1/8		63.5	219	171	60	20	25	23	124	55.6	22.2	M16	3.98
SSUCP211-35ESB	2-3/16		63.5	219	171	60	20	25	23	124	55.6	22.2	M16	3.98
SSUCP212ESB		60	69.9	238	184	70	20	25	25	137	65.1	25.4	M16	5.42
SSUCP212-36ESB	2-1/4		69.9	238	184	70	20	25	25	137	65.1	25.4	M16	5.42
SSUCP212-38ESB	2-3/8		69.9	238	184	70	20	25	25	137	65.1	25.4	M16	5.42
SSUCP212-39ESB	2-7/16		69.9	238	184	70	20	25	25	137	65.1	25.4	M16	5.42

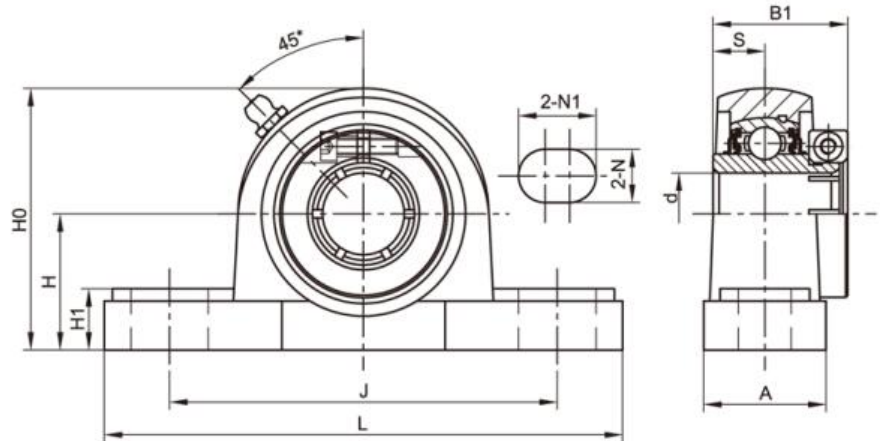
Notes:1.Grease fittings also available at 90° positions.

2.Upon request,available with plastic close cap(CC) or open cap(OC) at one end. Ordering example: SSUCP204-12ESB CC.

3.Hand polishing surface housing available upon request. Ordering example: SSUCP204-12ESB HP.

4.Lubricated with food grade grease.

All stainless steel pillow blocks, Solid base housing, Concentric locking



Unit No.	Shaft Dia		Dimensions(mm)										Bolt Size (mm)	Weight (kg)
	d (in)	d (mm)	H	L	J	A	N	N1	H1	Ho	B1	S		
SSUEP204ESB	3/4	20	33.3	127	95	38	13	19	15	64	33	12.7	M10	0.81
SSUEP204-12ESB	3/4		33.3	127	95	38	13	19	15	64	33	12.7	M10	0.81
SSUEP205ESB		25	36.5	140	105	38	13	19	16.5	70	35.4	14.3	M10	0.98
SSUEP205-14ESB	7/8		36.5	140	105	38	13	19	16.5	70	35.4	14.3	M10	0.98
SSUEP205-15ESB	15/16		36.5	140	105	38	13	19	16.5	70	35.4	14.3	M10	0.98
SSUEP205-16ESB	1		36.5	140	105	38	13	19	16.5	70	35.4	14.3	M10	0.98
SSUEP206ESB		30	42.9	165	121	48	17	21	18	82	39.8	15.9	M12	1.53
SSUEP206-17ESB	1-1/16		42.9	165	121	48	17	21	18	82	39.8	15.9	M12	1.53
SSUEP206-18ESB	1-1/8		42.9	165	121	48	17	21	18	82	39.8	15.9	M12	1.53
SSUEP206-19ESB	1-3/16		42.9	165	121	48	17	21	18	82	39.8	15.9	M12	1.53
SSUEP206-20ESB	1-1/4		42.9	165	121	48	17	21	18	82	39.8	15.9	M12	1.53
SSUEP207ESB		35	47.6	167	127	48	17	21	19	92	43.9	17.5	M12	2.03
SSUEP207-20ESB	1-1/4		47.6	167	127	48	17	21	19	92	43.9	17.5	M12	2.03
SSUEP207-21ESB	1-5/16		47.6	167	127	48	17	21	19	92	43.9	17.5	M12	2.03
SSUEP207-22ESB	1-3/8		47.6	167	127	48	17	21	19	92	43.9	17.5	M12	2.03
SSUEP207-23ESB	1-7/16		47.6	167	127	48	17	21	19	92	43.9	17.5	M12	2.03
SSUEP208ESB		40	49.2	184	137	54	17	22	19	99	50.2	19	M12	2.38
SSUEP208-24ESB	1-1/2		49.2	184	137	54	17	22	19	99	50.2	19	M12	2.38
SSUEP208-25ESB	1-9/16		49.2	184	137	54	17	22	19	99	50.2	19	M12	2.38
SSUEP209ESB		45	54	190	146	54	17	22	20	108	50.2	19	M12	2.83
SSUEP209-26ESB	1-5/8		54	190	146	54	17	22	20	108	50.2	19	M12	2.83
SSUEP209-27ESB	1-11/16		54	190	146	54	17	22	20	108	50.2	19	M12	2.83
SSUEP209-28ESB	1-3/4		54	190	146	54	17	22	20	108	50.2	19	M12	2.83
SSUEP210ESB		50	57.2	206	159	60	20	25	22	112	52.6	19	M16	3.39
SSUEP210-30ESB	1-7/8		57.2	206	159	60	20	25	22	112	52.6	19	M16	3.39
SSUEP210-31ESB	1-15/16		57.2	206	159	60	20	25	22	112	52.6	19	M16	3.39
SSUEP210-32ESB	2		57.2	206	159	60	20	25	22	112	52.6	19	M16	3.39
SSUEP211ESB		55	63.5	219	171	60	20	25	23	124	56.6	22.2	M16	4.06
SSUEP211-32ESB	2		63.5	219	171	60	20	25	23	124	56.6	22.2	M16	4.06
SSUEP211-34ESB	2-1/8		63.5	219	171	60	20	25	23	124	56.6	22.2	M16	4.06
SSUEP211-35ESB	2-3/16		63.5	219	171	60	20	25	23	124	56.6	22.2	M16	4.06
SSUEP212ESB		60	69.9	238	184	70	20	25	25	137	66.6	25.4	M16	5.68
SSUEP212-36ESB	2-1/4		69.9	238	184	70	20	25	25	137	66.6	25.4	M16	5.68
SSUEP212-38ESB	2-3/8		69.9	238	184	70	20	25	25	137	66.6	25.4	M16	5.68
SSUEP212-39ESB	2-7/16		69.9	238	184	70	20	25	25	137	66.6	25.4	M16	5.68

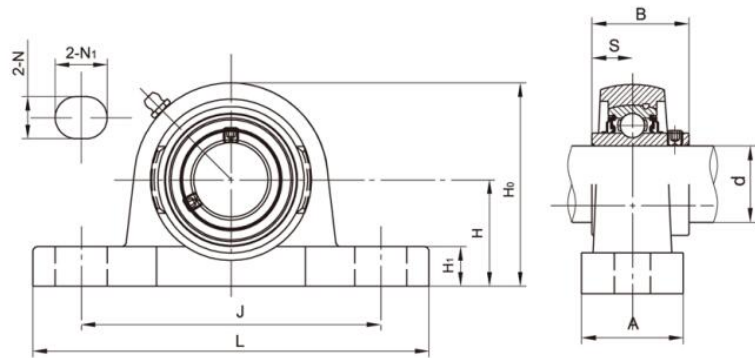
Notes: 1. Grease fittings also available at 90° positions.

2. Upon request, available with plastic close cap (CC) or open cap (OC) at one end. Ordering example: SSUEP204-12ESB CC.

3. Hand polishing surface housing available upon request. Ordering example: SSUEP204-12ESB HP.

4. Lubricated with food grade grease.

All stainless steel pillow blocks and inch-based housing, Setscrew locking



•Solid Base

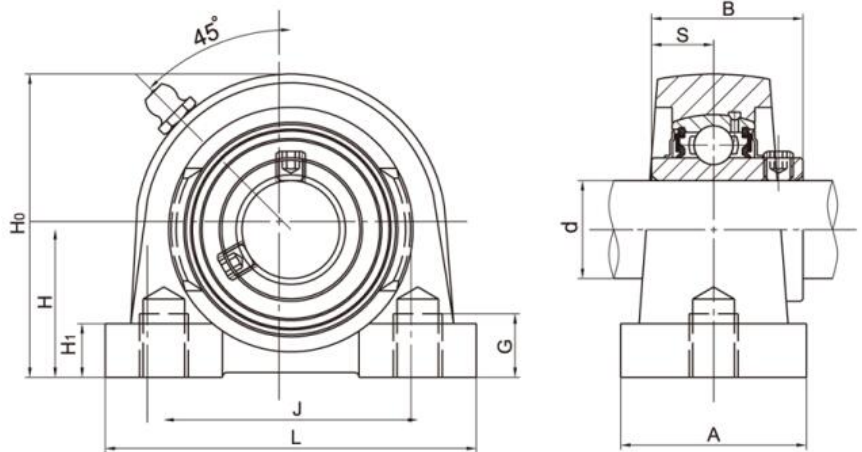
Unit No.	Shaft Dia		Dimensions(mm)										Bolt Size (mm)	Weight (kg)
	d		H	L	J	A	N	N1	H1	Ho	B	S		
Solid base housing	(in)	(mm)												
SSUCP204A		20	33.3	127	95	30	13	19	14	64	31	12.7	M10	0.71
SSUCP204-12A	3/4		33.3	127	95	30	13	19	14	64	31	12.7	M10	0.71
SSUCP205A		25	36.5	140	105	30	13	19	15	70	34.1	14.3	M10	0.82
SSUCP205-14A	7/8		36.5	140	105	30	13	19	15	70	34.1	14.3	M10	0.82
SSUCP205-15A	15/16		36.5	140	105	30	13	19	15	70	34.1	14.3	M10	0.82
SSUCP205-16A	1		36.5	140	105	30	13	19	15	70	34.1	14.3	M10	0.82
SSUCP206A		30	42.9	165	121	36	17	21	16	82	38.1	15.9	M12	1.31
SSUCP206-17A	1-1/16		42.9	165	121	36	17	21	16	82	38.1	15.9	M12	1.31
SSUCP206-18A	1-1/8		42.9	165	121	36	17	21	16	82	38.1	15.9	M12	1.31
SSUCP206-19A	1-3/16		42.9	165	121	36	17	21	16	82	38.1	15.9	M12	1.31
SSUCP206-20A	1-1/4		42.9	165	121	36	17	21	16	82	38.1	15.9	M12	1.31
SSUCP207A		35	47.6	167	127	38	17	21	17	92	42.9	17.5	M12	1.65
SSUCP207-20A	1-1/4		47.6	167	127	38	17	21	17	92	42.9	17.5	M12	1.65
SSUCP207-21A	1-5/16		47.6	167	127	38	17	21	17	92	42.9	17.5	M12	1.65
SSUCP207-22A	1-3/8		47.6	167	127	38	17	21	17	92	42.9	17.5	M12	1.65
SSUCP207-23A	1-7/16		47.6	167	127	38	17	21	17	92	42.9	17.5	M12	1.65
SSUCP208A		40	49.2	184	137	40	17	21	18	98	49.2	19	M12	2
SSUCP208-24A	1-1/2		49.2	184	137	40	17	21	18	98	49.2	19	M12	2
SSUCP208-25A	1-9/16		49.2	184	137	40	17	21	18	98	49.2	19	M12	2
SSUCP209A		45	54	190	146	40	17	21	20	105	49.2	19	M12	2.26
SSUCP209-26A	1-5/8		54	190	146	40	17	21	20	105	49.2	19	M12	2.26
SSUCP209-27A	1-11/16		54	190	146	40	17	21	20	105	49.2	19	M12	2.26
SSUCP209-28A	1-3/4		54	190	146	40	17	21	20	105	49.2	19	M12	2.26
SSUCP210A		50	57.2	206	159	45	20	22	22	112	51.6	19	M16	2.8
SSUCP210-30A	1-7/8		57.2	206	159	45	20	22	22	112	51.6	19	M16	2.8
SSUCP210-31A	1-15/16		57.2	206	159	45	20	22	22	112	51.6	19	M16	2.8
SSUCP210-32A	2		57.2	206	159	45	20	22	22	112	51.6	19	M16	2.8
SSUCP211A		55	63.5	218	171	50	20	22	22	126	55.6	22.2	M16	3.83
SSUCP211-32A	2		63.5	218	171	50	20	22	22	126	55.6	22.2	M16	3.83
SSUCP211-34A	2-1/8		63.5	218	171	50	20	22	22	126	55.6	22.2	M16	3.83
SSUCP211-35A	2-3/16		63.5	218	171	50	20	22	22	126	55.6	22.2	M16	3.83
SSUCP212A		60	69.9	238	184	60	20	25	25	137	65.1	25.4	M16	5.33
SSUCP212-36 A	2-1/4		69.9	238	184	60	20	25	25	137	65.1	25.4	M16	5.33
SSUCP212-38 A	2-3/8		69.9	238	184	60	20	25	25	137	65.1	25.4	M16	5.33
SSUCP212-39A	2-7/16		69.9	238	184	60	20	25	25	137	65.1	25.4	M16	5.33

Notes:1.Grease fittings also available at 90° positions.

2.Upon request,available with plastic close cap(CC) or open cap(OC) at one end. Ordering example: SSUCP204-12A CC.

3.Hand polishing surface housing available upon request. Ordering example: SSUCP204-12A HP.

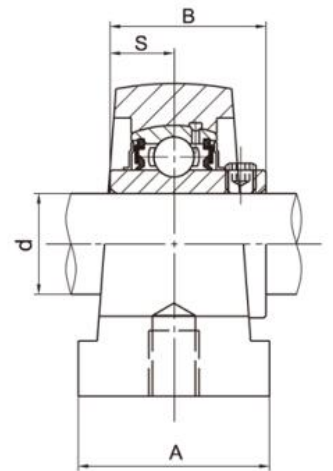
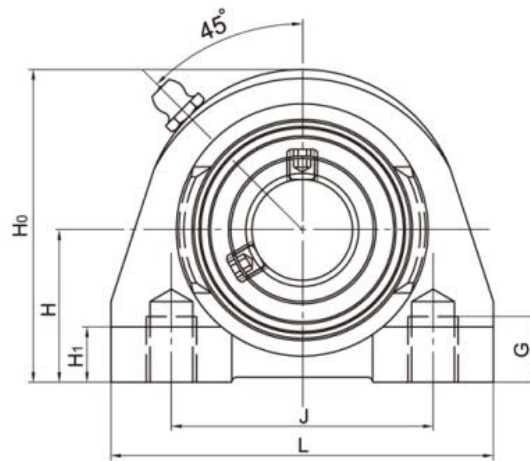
4.Lubricated with food grade grease.



Unit No.	Shaft Dia		Dimensions(mm)									Bolt Size (mm)	Weight (kg)
	d		H	L	J	A	G	H1	Ho	B	s		
	(in)	(mm)											
SSUCPA204		20	30.2	76	52	38	13	11	62	31	12.7	M10	0.62
SSUCPA204-12	3/4		30.2	76	52	38	13	11	62	31	12.7	M10	0.62
SSUCPA205		25	36.5	84	56	38	15	12	72	34.1	14.3	M10	0.78
SSUCPA205-14	7/8		36.5	84	56	38	15	12	72	34.1	14.3	M10	0.78
SSUCPA205-15	15/16		36.5	84	56	38	15	12	72	34.1	14.3	M10	0.78
SSUCPA205-16	1		36.5	84	56	38	15	12	72	34.1	14.3	M10	0.78
SSUCPA206		30	42.9	94	66	48	18	12	84	38.1	15.9	M14	1.24
SSUCPA206-17	1-1/16		42.9	94	66	48	18	12	84	38.1	15.9	M14	1.24
SSUCPA206-18	1-1/8		42.9	94	66	48	18	12	84	38.1	15.9	M14	1.24
SSUCPA206-19	1-3/16		42.9	94	66	48	18	12	84	38.1	15.9	M14	1.24
SSUCPA206-20	1-1/4		42.9	94	66	48	18	12	84	38.1	15.9	M14	1.24
SSUCPA207		35	47.6	110	80	48	20	13	95	42.9	17.5	M14	1.7
SSUCPA207-20	1-1/4		47.6	110	80	48	20	13	95	42.9	17.5	M14	1.7
SSUCPA207-21	1-5/16		47.6	110	80	48	20	13	95	42.9	17.5	M14	1.7
SSUCPA207-22	1-3/8		47.6	110	80	48	20	13	95	42.9	17.5	M14	1.7
SSUCPA207-23	1-7/16		47.6	110	80	48	20	13	95	42.9	17.5	M14	1.7
SSUCPA208		40	49.2	116	84	54	20	13	100	49.2	19	M14	1.9
SSUCPA208-24	1-1/2		49.2	116	84	54	20	13	100	49.2	19	M14	1.9
SSUCPA208-25	1-9/16		49.2	116	84	54	20	13	100	49.2	19	M14	1.9
SSUCPA209		45	54.2	120	90	54	25	13	108	49.2	19	M14	2.2
SSUCPA209-26	1-5/8		54.2	120	90	54	25	13	108	49.2	19	M14	2.2
SSUCPA209-27	1-11/16		54.2	120	90	54	25	13	108	49.2	19	M14	2.2
SSUCPA209-28	1-3/4		54.2	120	90	54	25	13	108	49.2	19	M14	2.2
SSUCPA210		50	57.2	130	94	60	25	14	116	51.6	19	M16	2.6
SSUCPA210-30	1-7/8		57.2	130	94	60	25	14	116	51.6	19	M16	2.6
SSUCPA210-31	1-15/16		57.2	130	94	60	25	14	116	51.6	19	M16	2.6
SSUCPA210-32	2		57.2	130	94	60	25	14	116	51.6	19	M16	2.6

Notes: 1. Upon request, available with plastic close cap(CC) or open cap(OC) at one end. Ordering example SSUCPA204-12 CC.

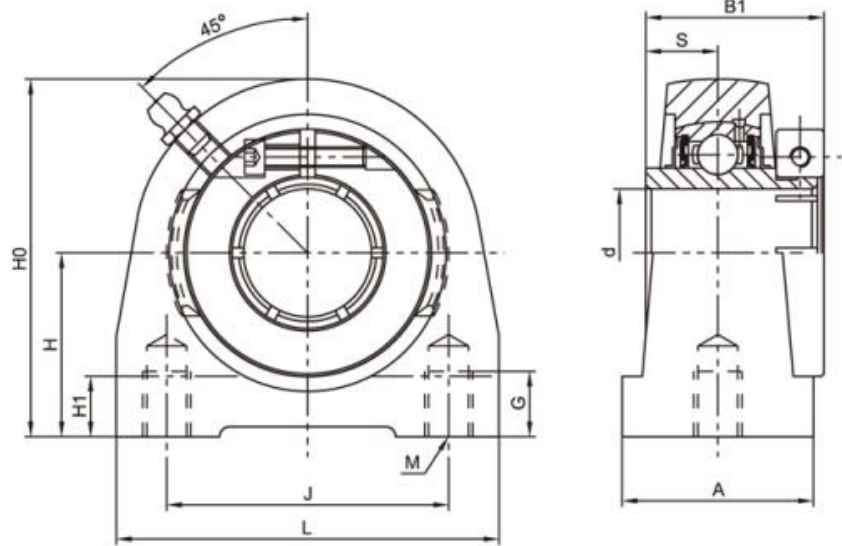
2. Lubricated with food grade grease.



Unit No.	Shaft Dia		Dimensions(mm)									Bolt Size (mm)	Weight (kg)
	d (in)	d (mm)	H	L	J	A	G	H1	Ho	B	s		
SSUCPA204A		20	33.3	73	50.8	38	13	12	65	31	12.7	3/8"-16	0.69
SSUCPA204-12A	3/4		33.3	73	50.8	38	13	12	65	31	12.7	3/8"-16	0.69
SSUCPA205A		25	36.5	76	50.8	38	13	12	71	34.1	14.3	3/8"-16	0.77
SSUCPA205-14A	7/8		36.5	76	50.8	38	13	12	71	34.1	14.3	3/8"-16	0.77
SSUCPA205-15A	15/16		36.5	76	50.8	38	13	12	71	34.1	14.3	3/8"-16	0.77
SSUCPA205-16A	1		36.5	76	50.8	38	13	12	71	34.1	14.3	3/8"-16	0.77
SSUCPA206A		30	42.9	102	76.2	38	16	12	86	38.1	15.9	7/16"-14	1.33
SSUCPA206-17A	1-1/16		42.9	102	76.2	38	16	12	86	38.1	15.9	7/16"-14	1.33
SSUCPA206-18A	1-1/8		42.9	102	76.2	38	16	12	86	38.1	15.9	7/16"-14	1.33
SSUCPA206-19A	1-3/16		42.9	102	76.2	38	16	12	86	38.1	15.9	7/16"-14	1.33
SSUCPA206-20A	1-1/4		42.9	102	76.2	38	16	12	86	38.1	15.9	7/16"-14	1.33
SSUCPA207A		35	47.6	108	82.6	48	19	13	95	42.9	17.5	1/2"-13	1.72
SSUCPA207-20A	1-1/4		47.6	108	82.6	48	19	13	95	42.9	17.5	1/2"-13	1.72
SSUCPA207-21A	1-5/16		47.6	108	82.6	48	19	13	95	42.9	17.5	1/2"-13	1.72
SSUCPA207-22A	1-3/8		47.6	108	82.6	48	19	13	95	42.9	17.5	1/2"-13	1.72
SSUCPA207-23A	1-7/16		47.6	108	82.6	48	19	13	95	42.9	17.5	1/2"-13	1.72
SSUCPA208A		40	49.2	117	88.9	48	19	13	100	49.2	19	1/2"-13	2.09
SSUCPA208-24A	1-1/2		49.2	117	88.9	48	19	13	100	49.2	19	1/2"-13	2.09
SSUCPA208-25A	1-9/16		49.2	117	88.9	48	19	13	100	49.2	19	1/2"-13	2.09
SSUCPA209A		45	54.2	127	95.3	51	19	13	108	49.2	19	1/2"-13	2.5
SSUCPA209-26A	1-5/8		54.2	127	95.3	51	19	13	108	49.2	19	1/2"-13	2.5
SSUCPA209-27A	1-11/16		54.2	127	95.3	51	19	13	108	49.2	19	1/2"-13	2.5
SSUCPA209-28A	1-3/4		54.2	127	95.3	51	19	13	108	49.2	19	1/2"-13	2.5
SSUCPA210A		50	57.2	140	101.6	51	22	14	117	51.6	19	5/8"-11	3.1
SSUCPA210-30A	1-7/8		57.2	140	101.6	51	22	14	117	51.6	19	5/8"-11	3.1
SSUCPA210-31A	1-15/16		57.2	140	101.6	51	22	14	117	51.6	19	5/8"-11	3.1
SSUCPA210-32A	2		57.2	140	101.6	51	22	14	117	51.6	19	5/8"-11	3.1

Notes: 1. Upon request, available with plastic close cap(CC) or open cap(OC) at one end. Ordering example SSUCPA204-12A CC.

2. Lubricated with food grade grease.

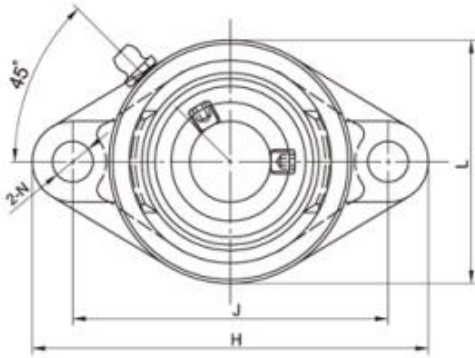


Unit No.	Shaft Dia		Dimensions(mm)										Weight (kg)
	d (in)	d (mm)	H	L	J	A	G	H1	Ho	B	s	M	
SSUEPA204A		20	33.3	73	50.8	38	13	12	65	33	12.7	3/8"-16	0.71
SSUEPA204-12A	3/4		33.3	73	50.8	38	13	12	65	33	12.7	3/8"-16	0.71
SSUEPA205A		25	36.5	76	50.8	38	13	12	71	35.4	14.3	3/8"-16	0.8
SSUEPA205-14A	7/8		36.5	76	50.8	38	13	12	71	35.4	14.3	3/8"-16	0.8
SSUEPA205-15A	15/16		36.5	76	50.8	38	13	12	71	35.4	14.3	3/8"-16	0.8
SSUEPA205-16A	1		36.5	76	50.8	38	13	12	71	35.4	14.3	3/8"-16	0.8
SSUEPA206A		30	42.9	102	76.2	38	16	12	86	39.8	15.9	7/16"-14	1.33
SSUEPA206-17A	1-1/16		42.9	102	76.2	38	16	12	86	39.8	15.9	7/16"-14	1.33
SSUEPA206-18A	1-1/8		42.9	102	76.2	38	16	12	86	39.8	15.9	7/16"-14	1.33
SSUEPA206-19A	1-3/16		42.9	102	76.2	38	16	12	86	39.8	15.9	7/16"-14	1.33
SSUEPA206-20A	1-1/4		42.9	102	76.2	38	16	12	86	39.8	15.9	7/16"-14	1.33
SSUEPA207A		35	47.6	108	82.6	48	19	13	95	43.9	17.5	1/2"-13	1.74
SSUEPA207-20A	1-1/4		47.6	108	82.6	48	19	13	95	43.9	17.5	1/2"-13	1.74
SSUEPA207-21A	1-5/16		47.6	108	82.6	48	19	13	95	43.9	17.5	1/2"-13	1.74
SSUEPA207-22A	1-3/8		47.6	108	82.6	48	19	13	95	43.9	17.5	1/2"-13	1.74
SSUEPA207-23A	1-7/16		47.6	108	82.6	48	19	13	95	43.9	17.5	1/2"-13	1.74
SSUEPA208A		40	49.2	117	88.9	48	19	13	100	50.2	19	1/2"-13	2.12
SSUEPA208-24A	1-1/2		49.2	117	88.9	48	19	13	100	50.2	19	1/2"-13	2.12
SSUEPA208-25A	1-9/16		49.2	117	88.9	48	19	13	100	50.2	19	1/2"-13	2.12
SSUEPA209A		45	54.2	127	95.3	51	19	13	108	50.2	19	1/2"-13	2.57
SSUEPA209-26A	1-5/8		54.2	127	95.3	51	19	13	108	50.2	19	1/2"-13	2.57
SSUEPA209-27A	1-11/16		54.2	127	95.3	51	19	13	108	50.2	19	1/2"-13	2.57
SSUEPA209-28A	1-3/4		54.2	127	95.3	51	19	13	108	50.2	19	1/2"-13	2.57
SSUEPA210A		50	57.2	140	101.6	51	22	14	117	52.6	19	5/8"-11	3.15
SSUEPA210-30A	1-7/8		57.2	140	101.6	51	22	14	117	52.6	19	5/8"-11	3.15
SSUEPA210-31A	1-15/16		57.2	140	101.6	51	22	14	117	52.6	19	5/8"-11	3.15
SSUEPA210-32A	2		57.2	140	101.6	51	22	14	117	52.6	19	5/8"-11	3.15

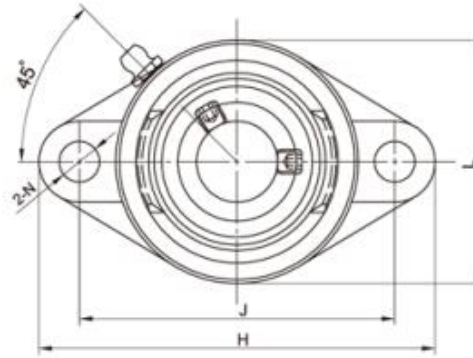
Notes: 1. Upon request, available with plastic close cap(CC) or open cap(OC) at one end. Ordering example SSUEPA204-12A CC.

2. Lubricated with food grade grease.

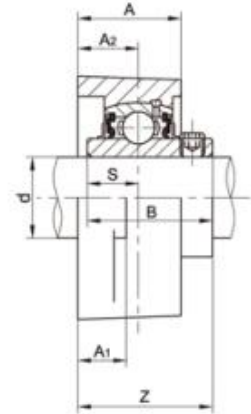
All stainless steel flange units 2-bolt,Hollow/Solid base, Setscrew locking



• SSUCFL200EHB (Hollow Base)



• SSUCFL200ESB (Solid Base)

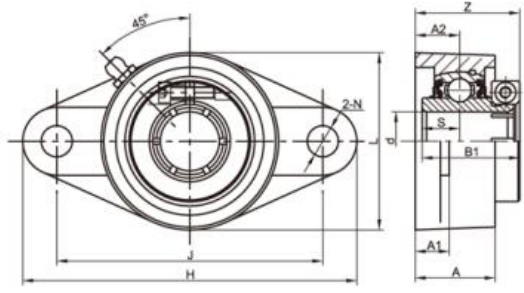


Unit No. Hollow base housing	Unit No. Solid base housing	Shaft Dia		Dimensions(mm)										Bolt Size (mm)	Weight (kg)
		d (in)	d (mm)	H	J	A2	A1	A	N	L	z	B	S		
SSUCFL204EHB	SSUCFL204ESB		20	113	90	15	11.5	27	10.5	60	33.3	31	12.7	M8	0.5
SSUCFL204-12EHB	SSUCFL204-12ESB	3/4		113	90	15	11.5	27	10.5	60	33.3	31	12.7	M8	0.5
SSUCFL205EHB	SSUCFL205ESB		25	130	99	16	13	28	12.5	68	35.8	34.1	14.3	M10	0.69
SSUCFL205-14EHB	SSUCFL205-14ESB	7/8		130	99	16	13	28	12.5	68	35.8	34.1	14.3	M10	0.69
SSUCFL205-15EHB	SSUCFL205-15ESB	15/16		130	99	16	13	28	12.5	68	35.8	34.1	14.3	M10	0.69
SSUCFL205-16EHB	SSUCFL205-16ESB	1		130	99	16	13	28	12.5	68	35.8	34.1	14.3	M10	0.69
SSUCFL206EHB	SSUCFL206ESB		30	148	117	18	13	31	12.5	79	40.2	38.1	15.9	M10	0.99
SSUCFL206-17EHB	SSUCFL206-17ESB	1-1/16		148	117	18	13	31	12.5	79	40.2	38.1	15.9	M10	0.99
SSUCFL206-18EHB	SSUCFL206-18ESB	1-1/8		148	117	18	13	31	12.5	79	40.2	38.1	15.9	M10	0.99
SSUCFL206-19EHB	SSUCFL206-19ESB	1-3/16		148	117	18	13	31	12.5	79	40.2	38.1	15.9	M10	0.99
SSUCFL206-20EHB	SSUCFL206-20ESB	1-1/4		148	117	18	13	31	12.5	79	40.2	38.1	15.9	M10	0.99
SSUCFL207EHB	SSUCFL207ESB		35	161	130	19	14.3	34	14	90	44.4	42.9	17.5	M12	1.37
SSUCFL207-20EHB	SSUCFL207-20ESB	1-1/4		161	130	19	14.3	34	14	90	44.4	42.9	17.5	M12	1.37
SSUCFL207-21EHB	SSUCFL207-21ESB	1-5/16		161	130	19	14.3	34	14	90	44.4	42.9	17.5	M12	1.37
SSUCFL207-22EHB	SSUCFL207-22ESB	1-3/8		161	130	19	14.3	34	14	90	44.4	42.9	17.5	M12	1.37
SSUCFL207-23EHB	SSUCFL207-23ESB	1-7/16		161	130	19	14.3	34	14	90	44.4	42.9	17.5	M12	1.37
SSUCFL208EHB	SSUCFL208ESB		40	171	144	21	14.3	36	14	100	51.2	49.2	19	M12	1.65
SSUCFL208-24EHB	SSUCFL208-24ESB	1-1/2		171	144	21	14.3	36	14	100	51.2	49.2	19	M12	1.65
SSUCFL208-25EHB	SSUCFL208-25ESB	1-9/16		171	144	21	14.3	36	14	100	51.2	49.2	19	M12	1.65
SSUCFL209EHB	SSUCFL209ESB		45	179	148	22	15	38	16	108	52.2	49.2	19	M14	2.36
SSUCFL209-26EHB	SSUCFL209-26ESB	1-5/8		179	148	22	15	38	16	108	52.2	49.2	19	M14	2.36
SSUCFL209-27EHB	SSUCFL209-27ESB	1-11/16		179	148	22	15	38	16	108	52.2	49.2	19	M14	2.36
SSUCFL209-28EHB	SSUCFL209-28ESB	1-3/4		179	148	22	15	38	16	108	52.2	49.2	19	M14	2.36
SSUCFL210EHB	SSUCFL210ESB		50	195	157	22	15	40	16	115	54.6	51.6	19	M14	2.51
SSUCFL210-30EHB	SSUCFL210-30ESB	1-7/8		195	157	22	15	40	16	115	54.6	51.6	19	M14	2.51
SSUCFL210-31EHB	SSUCFL210-31ESB	1-15/16		195	157	22	15	40	16	115	54.6	51.6	19	M14	2.51
SSUCFL210-32EHB	SSUCFL210-32ESB	2		195	157	22	15	40	16	115	54.6	51.6	19	M14	2.51
SSUCFL211EHB	SSUCFL211ESB		55	224	184	25	18	43	19	130	58.4	55.6	22.2	M16	3.61
SSUCFL211-32EHB	SSUCFL211-32ESB	2		224	184	25	18	43	19	130	58.4	55.6	22.2	M16	3.61
SSUCFL211-34EHB	SSUCFL211-34ESB	2-1/8		224	184	25	18	43	19	130	58.4	55.6	22.2	M16	3.61
SSUCFL211-35EHB	SSUCFL211-35ESB	2-3/16		224	184	25	18	43	19	130	58.4	55.6	22.2	M16	3.61
SSUCFL212EHB	SSUCFL212ESB		60	250	202	29	18	48	23	140	68.7	65.1	25.4	M16	4.19
SSUCFL212-36EHB	SSUCFL212-36ESB	2-1/4		250	202	29	18	48	23	140	68.7	65.1	25.4	M16	4.19
SSUCFL212-38EHB	SSUCFL212-38ESB	2-3/8		250	202	29	18	48	23	140	68.7	65.1	25.4	M16	4.19
SSUCFL212-39EHB	SSUCFL212-39ESB	2-7/16		250	202	29	18	48	23	140	68.7	65.1	25.4	M16	4.19

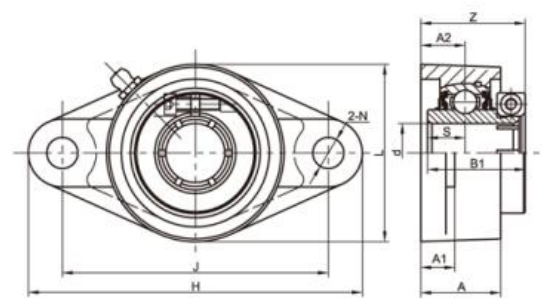
Notes: 1.Upon request,available with plastic close cap(CC) or open cap(OC) at one end. Ordering example SSUCFL204-12ESB CC.

2.Lubricated with food grade grease.

All stainless steel 2-bolt flange, Hollow/Solid base housing, Concentric locking



SSUEFL200ESB(Solid Base)

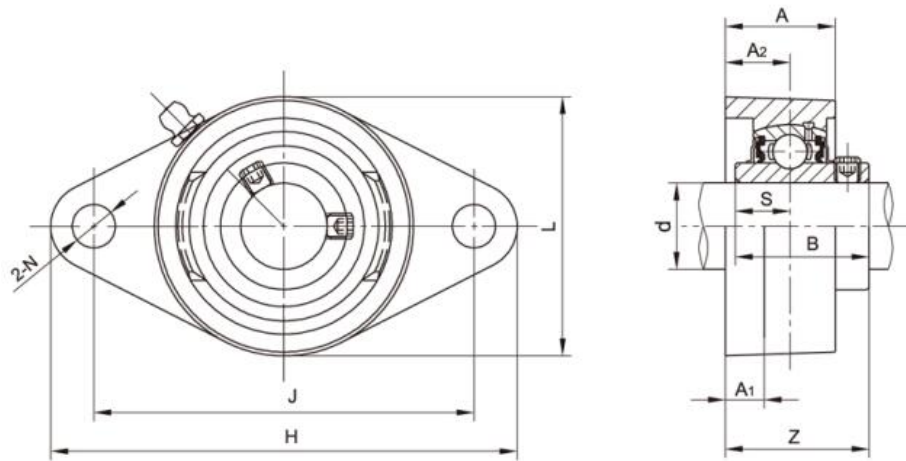


SSUEFL200EHB(Hollow Base)

Unit No.	Unit No.	Shaft Dia		Dimensions(mm)										Bolt Size (mm)	Weight (kg)
		d (in)	d (mm)	H	J	A2	A1	A	N	L	Z	B1	S		
SSUEFL204EHB	SSUEFL204ESB		20	113	90	15	11.5	27	10.5	60	35.3	33	12.7	M8	0.52
SSUEFL204-12EHB	SSUEFL204-12ESB	3/4		113	90	15	11.5	27	10.5	60	35.3	33	12.7	M8	0.52
SSUEFL205EHB	SSUEFL205ESB		25	130	99	16	13	28	12.5	68	37.1	35.4	14.3	M10	0.72
SSUEFL205-14EHB	SSUEFL205-14ESB	7/8		130	99	16	13	28	12.5	68	37.1	35.4	14.3	M10	0.72
SSUEFL205-15EHB	SSUEFL205-15ESB	15/16		130	99	16	13	28	12.5	68	37.1	35.4	14.3	M10	0.72
SSUEFL205-16EHB	SSUEFL205-16ESB	1		130	99	16	13	28	12.5	68	37.1	35.4	14.3	M10	0.72
SSUEFL206EHB	SSUEFL206ESB		30	148	117	18	13	31	12.5	79	41.9	39.8	15.9	M10	0.99
SSUEFL206-17EHB	SSUEFL206-17ESB	1-1/16		148	117	18	13	31	12.5	79	41.9	39.8	15.9	M10	0.99
SSUEFL206-18EHB	SSUEFL206-18ESB	1-1/8		148	117	18	13	31	12.5	79	41.9	39.8	15.9	M10	0.99
SSUEFL206-19EHB	SSUEFL206-19ESB	1-3/16		148	117	18	13	31	12.5	79	41.9	39.8	15.9	M10	0.99
SSUEFL206-20EHB	SSUEFL206-20ESB	1-1/4		148	117	18	13	31	12.5	79	41.9	39.8	15.9	M10	0.99
SSUEFL207EHB	SSUEFL207ESB		35	161	130	19	14.3	34	14	90	43.4	43.9	17.5	M12	1.39
SSUEFL207-20EHB	SSUEFL207-20ESB	1-1/4		161	130	19	14.3	34	14	90	43.4	43.9	17.5	M12	1.39
SSUEFL207-21EHB	SSUEFL207-21ESB	1-5/16		161	130	19	14.3	34	14	90	43.4	43.9	17.5	M12	1.39
SSUEFL207-22EHB	SSUEFL207-22ESB	1-3/8		161	130	19	14.3	34	14	90	43.4	43.9	17.5	M12	1.39
SSUEFL207-23EHB	SSUEFL207-23ESB	1-7/16		161	130	19	14.3	34	14	90	43.4	43.9	17.5	M12	1.39
SSUEFL208EHB	SSUEFL208ESB		40	171	144	21	14.3	36	14	100	52.2	50.2	19	M12	1.68
SSUEFL208-24EHB	SSUEFL208-24ESB	1-1/2		171	144	21	14.3	36	14	100	52.2	50.2	19	M12	1.68
SSUEFL208-25EHB	SSUEFL208-25ESB	1-9/16		171	144	21	14.3	36	14	100	52.2	50.2	19	M12	1.68
SSUEFL209EHB	SSUEFL209ESB		45	179	148	22	15	38	16	108	53.2	50.2	19	M14	2.43
SSUEFL209-26EHB	SSUEFL209-26ESB	1-5/8		179	148	22	15	38	16	108	53.2	50.2	19	M14	2.43
SSUEFL209-27EHB	SSUEFL209-27ESB	1-11/16		179	148	22	15	38	16	108	53.2	50.2	19	M14	2.43
SSUEFL209-28EHB	SSUEFL209-28ESB	1-3/4		179	148	22	15	38	16	108	53.2	50.2	19	M14	2.43
SSUEFL210EHB	SSUEFL210ESB		50	195	157	22	15	40	16	115	55.6	52.6	19	M14	2.56
SSUEFL210-30EHB	SSUEFL210-30ESB	1-7/8		195	157	22	15	40	16	115	55.6	52.6	19	M14	2.56
SSUEFL210-31EHB	SSUEFL210-31ESB	1-15/16		195	157	22	15	40	16	115	55.6	52.6	19	M14	2.56
SSUEFL210-32EHB	SSUEFL210-32ESB	2		195	157	22	15	40	16	115	55.6	52.6	19	M14	2.56
SSUEFL211EHB	SSUEFL211ESB		55	224	184	25	18	43	19	130	59.4	56.6	22.2	M16	3.69
SSUEFL211-32EHB	SSUEFL211-32ESB	2		224	184	25	18	43	19	130	59.4	56.6	22.2	M16	3.69
SSUEFL211-34EHB	SSUEFL211-34ESB	2-1/8		224	184	25	18	43	19	130	59.4	56.6	22.2	M16	3.69
SSUEFL211-35EHB	SSUEFL211-35ESB	2-3/16		224	184	25	18	43	19	130	59.4	56.6	22.2	M16	3.69
SSUEFL212EHB	SSUEFL212ESB		60	250	202	29	18	48	23	140	70.2	66.6	25.4	M16	4.27
SSUEFL212-36EHB	SSUEFL212-36ESB	2-1/4		250	202	29	18	48	23	140	70.2	66.6	25.4	M16	4.27
SSUEFL212-38EHB	SSUEFL212-38ESB	2-3/8		250	202	29	18	48	23	140	70.2	66.6	25.4	M16	4.27
SSUEFL212-39EHB	SSUEFL212-39ESB	2-7/16		250	202	29	18	48	23	140	70.2	66.6	25.4	M16	4.27

Notes: 1. Upon request, available with plastic close cap(CC) or open cap(OC) at one end. Ordering example SSUEFL204-12ESB CC.

2. Lubricated with food grade grease



• Solid Based

Unit No.	Shaft Dia		Dimensions(mm)										Bolt Size (mm)	Weight (kg)
	d (in)	d (mm)	H	J	A2	A1	A	N	L	z	B	S		
SSUCFL204A		20	113	90	15	11	27	12	60	33.3	31	12.7	M10	0.5
SSUCFL204-12A	3/4		113	90	15	11	27	12	60	33.3	31	12.7	M10	0.5
SSUCFL205A		25	130	99	16	13	28	12.5	68	35.8	34.1	14.3	M14	0.71
SSUCFL205-14A	7/8		130	99	16	13	28	12.5	68	35.8	34.1	14.3	M14	0.71
SSUCFL205-15A	15/16		130	99	16	13	28	12.5	68	35.8	34.1	14.3	M14	0.71
SSUCFL205-16A	1		130	99	16	13	28	12.5	68	35.8	34.1	14.3	M14	0.71
SSUCFL206A		30	148	117	18	13	31	12.5	79	40.2	38.1	15.9	M14	1.04
SSUCFL206-17A	1-1/16		148	117	18	13	31	12.5	79	40.2	38.1	15.9	M14	1.04
SSUCFL206-18A	1-1/8		148	117	18	13	31	12.5	79	40.2	38.1	15.9	M14	1.04
SSUCFL206-19A	1-3/16		148	117	18	13	31	12.5	79	40.2	38.1	15.9	M14	1.04
SSUCFL206-20A	1-1/4		148	117	18	13	31	12.5	79	40.2	38.1	15.9	M14	1.04
SSUCFL207A		35	161	130	19	14	34	14	90	44.4	42.9	17.5	M14	1.38
SSUCFL207-20A	1-1/4		161	130	19	14	34	14	90	44.4	42.9	17.5	M14	1.38
SSUCFL207-21A	1-5/16		161	130	19	14	34	14	90	44.4	42.9	17.5	M14	1.38
SSUCFL207-22A	1-3/8		161	130	19	14	34	14	90	44.4	42.9	17.5	M14	1.38
SSUCFL207-23A	1-7/16		161	130	19	14	34	14	90	44.4	42.9	17.5	M14	1.38
SSUCFL208A		40	175	144	21	15	36	14	100	51.2	49.2	19	M14	1.73
SSUCFL208-24A	1-1/2		175	144	21	15	36	14	100	51.2	49.2	19	M14	1.73
SSUCFL208-25A	1-9/16		175	144	21	15	36	14	100	51.2	49.2	19	M14	1.73
SSUCFL209A		45	187	148	22	16	38	16	108	52.2	49.2	19	M16	2.07
SSUCFL209-26A	1-5/8		187	148	22	16	38	16	108	52.2	49.2	19	M16	2.07
SSUCFL209-27A	1-11/16		187	148	22	16	38	16	108	52.2	49.2	19	M16	2.07
SSUCFL209-28A	1-3/4		187	148	22	16	38	16	108	52.2	49.2	19	M16	2.07
SSUCFL210A		50	195	157	22	16	40	16	115	54.6	51.6	19	M16	2.47
SSUCFL210-30A	1-7/8		195	157	22	16	40	16	115	54.6	51.6	19	M16	2.47
SSUCFL210-31A	1-15/16		195	157	22	16	40	16	115	54.6	51.6	19	M16	2.47
SSUCFL210-32A	2		195	157	22	16	40	16	115	54.6	51.6	19	M16	2.47

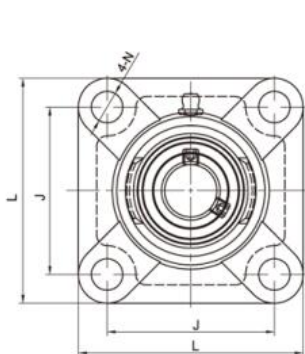
Notes:1.Upon request,available with plastic close cap(CC) or open cap(OC) at one end. Ordering example SSUCFL204-12A CC.

2.Back seal is available when mounted with SSB inserts.

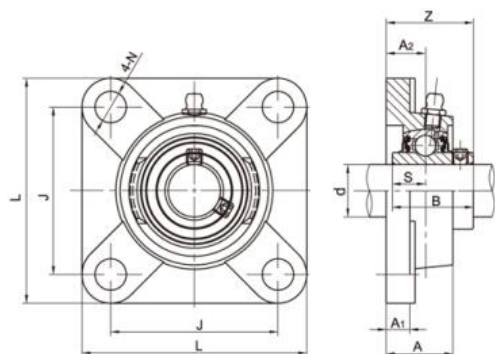
3. Hand polishing surface housing available upon request. Ordering example SSUCFL204-12A HP

4.Lubricated with food grade grease.

All stainless steel flange units 4-bolt,Hollow/Solid base,Setscrew locking



• SSUCF200EHB (Hollow Base)



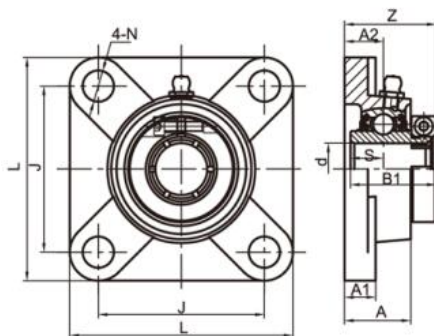
• SSUCF200ESB (Solid Base)

Unit No.	Unit No.	Shaft Dia		Dimensions(mm)									Bolt Size (mm)	Weight (kg)
		d (in)	d (mm)	L	J	A2	A1	A	N	z	B	S		
SSUCF204EHB	SSUCF204ESB		20	86	64	15	12	25.5	12	33.3	31	12.7	M10	0.71
SSUCF204-12EHB	SSUCF204-12ESB	3/4		86	64	15	12	25.5	12	33.3	31	12.7	M10	0.71
SSUCF205EHB	SSUCF205ESB		25	95	70	16	14.3	27	12	35.8	34.1	14.3	M10	0.96
SSUCF205-14EHB	SSUCF205-14ESB	7/8		95	70	16	14.3	27	12	35.8	34.1	14.3	M10	0.96
SSUCF205-15EHB	SSUCF205-15ESB	15/16		95	70	16	14.3	27	12	35.8	34.1	14.3	M10	0.96
SSUCF205-16EHB	SSUCF205-16ESB	1		95	70	16	14.3	27	12	35.8	34.1	14.3	M10	0.96
SSUCF206EHB	SSUCF206ESB		30	108	83	18	14	31	12	40.2	38.1	15.9	M14	1.33
SSUCF206-17EHB	SSUCF206-17ESB	1-1/16		108	83	18	14	31	12	40.2	38.1	15.9	M14	1.33
SSUCF206-18EHB	SSUCF206-18ESB	1-1/8		108	83	18	14	31	12	40.2	38.1	15.9	M14	1.33
SSUCF206-19EHB	SSUCF206-19ESB	1-3/16		108	83	18	14	31	12	40.2	38.1	15.9	M14	1.33
SSUCF206-20EHB	SSUCF206-20ESB	1-1/4		108	83	18	14	31	12	40.2	38.1	15.9	M14	1.33
SSUCF207EHB	SSUCF207ESB		35	117	92	19	15.9	34	14	44.4	42.9	17.5	M14	1.79
SSUCF207-20EHB	SSUCF207-20ESB	1-1/4		117	92	19	15.9	34	14	44.4	42.9	17.5	M14	1.79
SSUCF207-21EHB	SSUCF207-21ESB	1-5/16		117	92	19	15.9	34	14	44.4	42.9	17.5	M14	1.79
SSUCF207-22EHB	SSUCF207-22ESB	1-3/8		117	92	19	15.9	34	14	44.4	42.9	17.5	M14	1.79
SSUCF207-23EHB	SSUCF207-23ESB	1-7/16		117	92	19	15.9	34	14	44.4	42.9	17.5	M14	1.79
SSUCF208EHB	SSUCF208ESB		40	130	102	21	15.9	36	16	51.2	49.2	19	M14	2.16
SSUCF208-24EHB	SSUCF208-24ESB	1-1/2		130	102	21	15.9	36	16	51.2	49.2	19	M14	2.16
SSUCF208-25EHB	SSUCF208-25ESB	1-9/16		130	102	21	15.9	36	16	51.2	49.2	19	M14	2.16
SSUCF209EHB	SSUCF209ESB		45	137	105	22	16.7	38	16	52.2	49.2	19	M14	2.65
SSUCF209-26EHB	SSUCF209-26ESB	1-5/8		137	105	22	16.7	38	16	52.2	49.2	19	M14	2.65
SSUCF209-27EHB	SSUCF209-27ESB	1-11/16		137	105	22	16.7	38	16	52.2	49.2	19	M14	2.65
SSUCF209-28EHB	SSUCF209-28ESB	1-3/4		137	105	22	16.7	38	16	52.2	49.2	19	M14	2.65
SSUCF210EHB	SSUCF210ESB		50	143	111	22	15.9	40	16	54.6	51.6	19	M16	2.92
SSUCF210-30EHB	SSUCF210-30ESB	1-7/8		143	111	22	15.9	40	16	54.6	51.6	19	M16	2.92
SSUCF210-31EHB	SSUCF210-31ESB	1-15/16		143	111	22	15.9	40	16	54.6	51.6	19	M16	2.92
SSUCF210-32EHB	SSUCF210-32ESB	2		143	111	22	15.9	40	16	54.6	51.6	19	M16	2.92
SSUCF211EHB	SSUCF211ESB		55	162	130	25	18	43	19	58.4	55.6	22.2	M16	4.13
SSUCF211-32EHB	SSUCF211-32ESB	2		162	130	25	18	43	19	58.4	55.6	22.2	M16	4.13
SSUCF211-34EHB	SSUCF211-34ESB	2-1/8		162	130	25	18	43	19	58.4	55.6	22.2	M16	4.13
SSUCF211-35EHB	SSUCF211-35ESB	2-3/16		162	130	25	18	43	19	58.4	55.6	22.2	M16	4.13
SSUCF212EHB	SSUCF212ESB		60	175	143	29	18	48	19	68.7	65.1	25.4	M16	5.15
SSUCF212-36EHB	SSUCF212-36ESB	2-1/4		175	143	29	18	48	19	68.7	65.1	25.4	M16	5.15
SSUCF212-38EHB	SSUCF212-38ESB	2-3/8		175	143	29	18	48	19	68.7	65.1	25.4	M16	5.15
SSUCF212-39EHB	SSUCF212-39ESB	2-7/16		175	143	29	18	48	19	68.7	65.1	25.4	M16	5.15

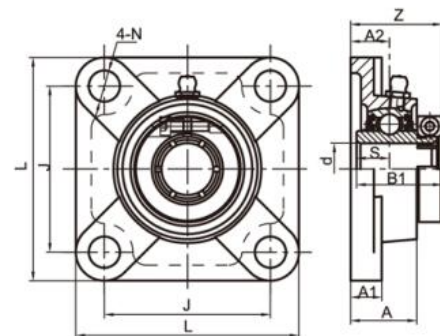
Notes: 1.Upon request,available with plastic close cap(CC) or open cap(OC) at one end. Ordering example SSUCF204-12ESB CC.

2.Lubricated with food grade grease.

All stainless steel 4-bolt flange,Hollow/Solid base housing,Concentric locking



SSUEF200ESB(Solid Base)



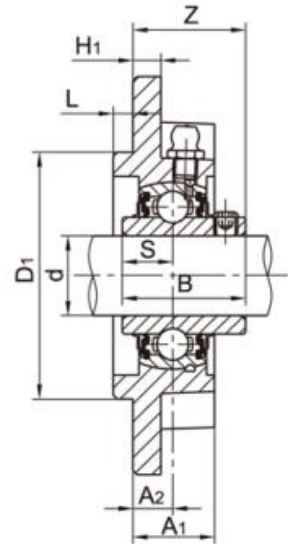
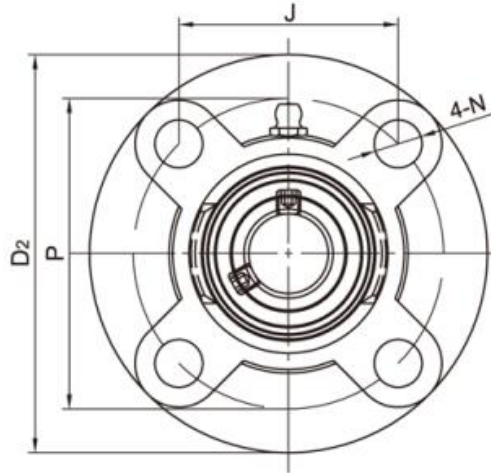
SSUEF200EHB(Hollow Base)

Unit No.	Unit No.	Shaft Dia		Dimensions(mm)									Bolt Size (mm)	Weight (kg)
		d (in)	d (mm)	L	J	A2	A1	A	N	Z	B1	S		
SSUEF204EHB	SSUEF204ESB		20	86	64	15	12	25.5	12	35.3	33	12.7	M10	0.72
SSUEF204-12EHB	SSUEF204-12ESB	3/4		86	64	15	12	25.5	12	35.3	33	12.7	M10	0.72
SSUEF205EHB	SSUEF205ESB		25	95	70	16	14.3	27	12	37.1	35.4	14.3	M10	0.99
SSUEF205-14EHB	SSUEF205-14ESB	7/8		95	70	16	14.3	27	12	37.1	35.4	14.3	M10	0.99
SSUEF205-15EHB	SSUEF205-15ESB	15/16		95	70	16	14.3	27	12	37.1	35.4	14.3	M10	0.99
SSUEF205-16EHB	SSUEF205-16ESB	1		95	70	16	14.3	27	12	37.1	35.4	14.3	M10	0.99
SSUEF206EHB	SSUEF206ESB		30	108	83	18	14	31	12	41.9	39.8	15.9	M14	1.33
SSUEF206-17EHB	SSUEF206-17ESB	1-1/16		108	83	18	14	31	12	41.9	39.8	15.9	M14	1.33
SSUEF206-18EHB	SSUEF206-18ESB	1-1/8		108	83	18	14	31	12	41.9	39.8	15.9	M14	1.33
SSUEF206-19EHB	SSUEF206-19ESB	1-3/16		108	83	18	14	31	12	41.9	39.8	15.9	M14	1.33
SSUEF206-20EHB	SSUEF206-20ESB	1-1/4		108	83	18	14	31	12	41.9	39.8	15.9	M14	1.33
SSUEF207EHB	SSUEF207ESB		35	117	92	19	15.9	34	14	43.4	43.9	17.5	M14	1.81
SSUEF207-20EHB	SSUEF207-20ESB	1-1/4		117	92	19	15.9	34	14	43.4	43.9	17.5	M14	1.81
SSUEF207-21EHB	SSUEF207-21ESB	1-5/16		117	92	19	15.9	34	14	43.4	43.9	17.5	M14	1.81
SSUEF207-22EHB	SSUEF207-22ESB	1-3/8		117	92	19	15.9	34	14	43.4	43.9	17.5	M14	1.81
SSUEF207-23EHB	SSUEF207-23ESB	1-7/16		117	92	19	15.9	34	14	43.4	43.9	17.5	M14	1.81
SSUEF208EHB	SSUEF208ESB		40	130	102	21	15.9	36	16	52.2	50.2	19	M14	2.2
SSUEF208-24EHB	SSUEF208-24ESB	1-1/2		130	102	21	15.9	36	16	52.2	50.2	19	M14	2.2
SSUEF208-25EHB	SSUEF208-25ESB	1-9/16		130	102	21	15.9	36	16	52.2	50.2	19	M14	2.2
SSUEF209EHB	SSUEF209ESB		45	137	105	22	16.7	38	16	53.2	50.2	19	M14	2.72
SSUEF209-26EHB	SSUEF209-26ESB	1-5/8		137	105	22	16.7	38	16	53.2	50.2	19	M14	2.72
SSUEF209-27EHB	SSUEF209-27ESB	1-11/16		137	105	22	16.7	38	16	53.2	50.2	19	M14	2.72
SSUEF209-28EHB	SSUEF209-28ESB	1-3/4		137	105	22	16.7	38	16	53.2	50.2	19	M14	2.72
SSUEF210EHB	SSUEF210ESB		50	143	111	22	15.9	40	16	55.6	52.6	19	M16	2.96
SSUEF210-30EHB	SSUEF210-30ESB	1-7/8		143	111	22	15.9	40	16	55.6	52.6	19	M16	2.96
SSUEF210-31EHB	SSUEF210-31ESB	1-15/16		143	111	22	15.9	40	16	55.6	52.6	19	M16	2.96
SSUEF210-32EHB	SSUEF210-32ESB	2		143	111	22	15.9	40	16	55.6	52.6	19	M16	2.96
SSUEF211EHB	SSUEF211ESB		55	162	130	25	18	43	19	59.4	56.6	22.2	M16	4.21
SSUEF211-32EHB	SSUEF211-32ESB	2		162	130	25	18	43	19	59.4	56.6	22.2	M16	4.21
SSUEF211-34EHB	SSUEF211-34ESB	2-1/8		162	130	25	18	43	19	59.4	56.6	22.2	M16	4.21
SSUEF211-35EHB	SSUEF211-35ESB	2-3/16		162	130	25	18	43	19	59.4	56.6	22.2	M16	4.21
SSUEF212EHB	SSUEF212ESB		60	175	143	29	18	48	19	70.2	66.6	25.4	M16	5.23
SSUEF212-36EHB	SSUEF212-36ESB	2-1/4		175	143	29	18	48	19	70.2	66.6	25.4	M16	5.23
SSUEF212-38EHB	SSUEF212-38ESB	2-3/8		175	143	29	18	48	19	70.2	66.6	25.4	M16	5.23
SSUEF212-39EHB	SSUEF212-39ESB	2-7/16		175	143	29	18	48	19	70.2	66.6	25.4	M16	5.23

Notes: 1.Upon request,available with plastic close cap(CC) or open cap(OC) at one end. Ordering example SSUEF204-12ESB CC.

2.Lubricated with food grade grease.

All stainless steel flange cartridge units, Setscrew locking

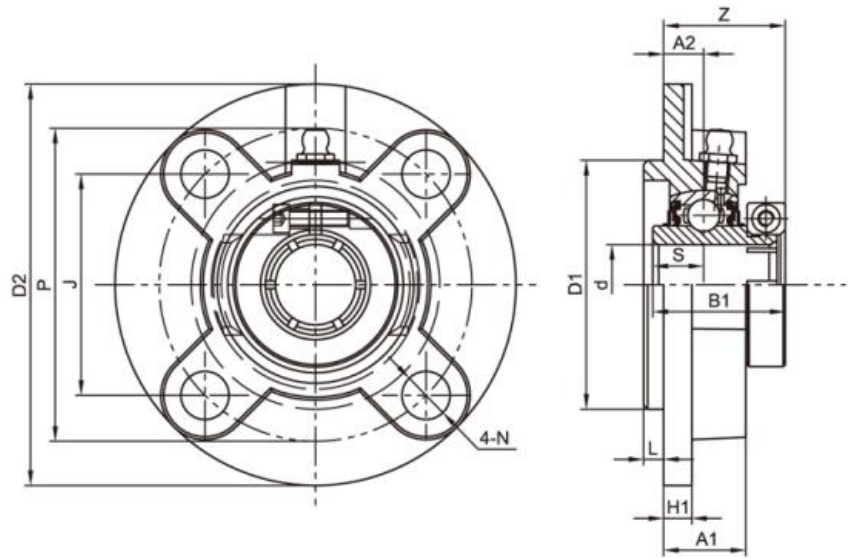


Unit No.	Shaft Dia		Dimensions(mm)											Bolt Size (mm)	Weight (kg)	
	d		D2	P	J	A2	N	L	H1	A1	D1	B	S			z
	(in)	(mm)														
SSUCFC204		20	100	78	55.1	10	12	5	7	20.5	62	31	12.7	28.3	M10	0.77
SSUCFC204-12	3/4		100	78	55.1	10	12	5	7	20.5	62	31	12.7	28.3	M10	0.77
SSUCFC205		25	115	90	63.6	10	12	6	7	21	70	34.1	14.3	29.7	M10	1.13
SSUCFC205-14	7/8		115	90	63.6	10	12	6	7	21	70	34.1	14.3	29.7	M10	1.13
SSUCFC205-15	15/16		115	90	63.6	10	12	6	7	21	70	34.1	14.3	29.7	M10	1.13
SSUCFC205-16	1		115	90	63.6	10	12	6	7	21	70	34.1	14.3	29.7	M10	1.13
SSUCFC206		30	125	100	70.7	10	12	8	8	23	80	38.1	15.9	32.2	M10	1.47
SSUCFC206-17	1-1/16		125	100	70.7	10	12	8	8	23	80	38.1	15.9	32.2	M10	1.47
SSUCFC206-18	1-1/8		125	100	70.7	10	12	8	8	23	80	38.1	15.9	32.2	M10	1.47
SSUCFC206-19	1-3/16		125	100	70.7	10	12	8	8	23	80	38.1	15.9	32.2	M10	1.47
SSUCFC206-20	1-1/4		125	100	70.7	10	12	8	8	23	80	38.1	15.9	32.2	M10	1.47
SSUCFC207		35	135	110	77.8	11	14	8	9	26	90	42.9	17.5	36.4	M12	1.86
SSUCFC207-20	1-1/4		135	110	77.8	11	14	8	9	26	90	42.9	17.5	36.4	M12	1.86
SSUCFC207-21	1-5/16		135	110	77.8	11	14	8	9	26	90	42.9	17.5	36.4	M12	1.86
SSUCFC207-22	1-3/8		135	110	77.8	11	14	8	9	26	90	42.9	17.5	36.4	M12	1.86
SSUCFC207-23	1-7/16		135	110	77.8	11	14	8	9	26	90	42.9	17.5	36.4	M12	1.86
SSUCFC208		40	145	120	84.8	11	14	10	9	26	100	49.2	19	41.2	M12	2.17
SSUCFC208-24	1-1/2		145	120	84.8	11	14	10	9	26	100	49.2	19	41.2	M12	2.17
SSUCFC208-25	1-9/16		145	120	84.8	11	14	10	9	26	100	49.2	19	41.2	M12	2.17
SSUCFC209		45	160	132	93.3	10	16	12	10	26	105	49.2	19	40.2	M14	2.5
SSUCFC209-26	1-5/8		160	132	93.3	10	16	12	10	26	105	49.2	19	40.2	M14	2.5
SSUCFC209-27	1-11/16		160	132	93.3	10	16	12	10	26	105	49.2	19	40.2	M14	2.5
SSUCFC209-28	1-3/4		160	132	93.3	10	16	12	10	26	105	49.2	19	40.2	M14	2.5
SSUCFC210		50	165	138	97.6	10	16	12	14	28	110	51.6	19	42.6	M14	2.95
SSUCFC210-30	1-7/8		165	138	97.6	10	16	12	14	28	110	51.6	19	42.6	M14	2.95
SSUCFC210-31	1-15/16		165	138	97.6	10	16	12	14	28	110	51.6	19	42.6	M14	2.95
SSUCFC210-32	2		165	138	97.6	10	16	12	14	28	110	51.6	19	42.6	M14	2.95
SSUCFC211		55	185	150	106.1	13	19	12	13	30	125	55.6	22.2	46.4	M16	4
SSUCFC211-32	2		185	150	106.1	13	19	12	13	30	125	55.6	22.2	46.4	M16	4
SSUCFC211-34	2-1/8		185	150	106.1	13	19	12	13	30	125	55.6	22.2	46.4	M16	4
SSUCFC211-35	2-3/16		185	150	106.1	13	19	12	13	30	125	55.6	22.2	46.4	M16	4
SSUCFC212		60	195	160	113.1	17	19	12	15	35	135	65.1	25.4	56.7	M16	4.9
SSUCFC212-36	2-1/4		195	160	113.1	17	19	12	15	35	135	65.1	25.4	56.7	M16	4.9
SSUCFC212-38	2-3/8		195	160	113.1	17	19	12	15	35	135	65.1	25.4	56.7	M16	4.9
SSUCFC212-39	2-7/16		195	160	113.1	17	19	12	15	35	135	65.1	25.4	56.7	M16	4.9

Notes: 1. Upon request, available with plastic close cap(CC) or open cap(OC) at one end. Ordering example SSUCFC204-12 CC.

2. Lubricated with food grade grease.

All stainless steel flange cartridge units, Concentric locking

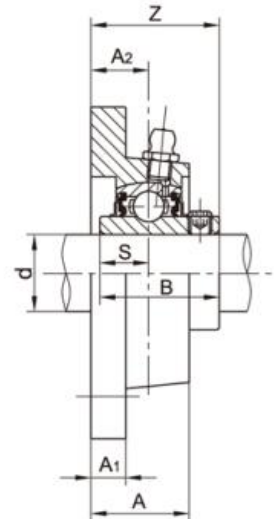
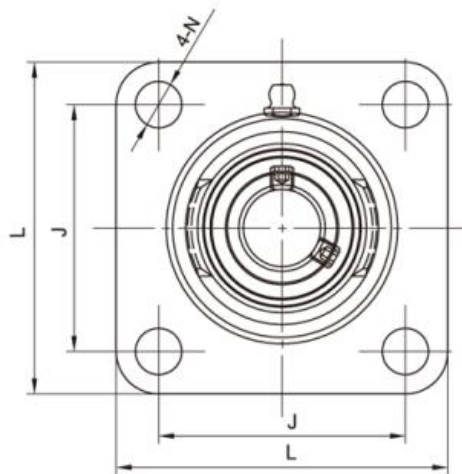


Unit No.	Shaft Dia		Dimensions(mm)												Bolt Size (mm)	Weight (kg)
	d (in)	d (mm)	D2	P	J	A2	N	L	H1	A1	D1	B1	S	z		
SSUEFC204		20	100	78	55.1	10	12	5	7	20.5	62	33	12.7	30.3	M10	0.79
SSUEFC204-12	3/4		100	78	55.1	10	12	5	7	20.5	62	33	12.7	30.3	M10	0.79
SSUEFC205		25	115	90	63.6	10	12	6	7	21	70	35.4	14.3	31	M10	1.16
SSUEFC205-14	7/8		115	90	63.6	10	12	6	7	21	70	35.4	14.3	31	M10	1.16
SSUEFC205-15	15/16		115	90	63.6	10	12	6	7	21	70	35.4	14.3	31	M10	1.16
SSUEFC205-16	1		115	90	63.6	10	12	6	7	21	70	35.4	14.3	31	M10	1.16
SSUEFC206		30	125	100	70.7	10	12	8	8	23	80	39.8	15.9	33.9	M10	1.47
SSUEFC206-17	1-1/16		125	100	70.7	10	12	8	8	23	80	39.8	15.9	33.9	M10	1.47
SSUEFC206-18	1-1/8		125	100	70.7	10	12	8	8	23	80	39.8	15.9	33.9	M10	1.47
SSUEFC206-19	1-3/16		125	100	70.7	10	12	8	8	23	80	39.8	15.9	33.9	M10	1.47
SSUEFC206-20	1-1/4		125	100	70.7	10	12	8	8	23	80	39.8	15.9	33.9	M10	1.47
SSUEFC207		35	135	110	77.8	11	14	8	9	26	90	43.9	17.5	37.4	M12	1.88
SSUEFC207-20	1-1/4		135	110	77.8	11	14	8	9	26	90	43.9	17.5	37.4	M12	1.88
SSUEFC207-21	1-5/16		135	110	77.8	11	14	8	9	26	90	43.9	17.5	37.4	M12	1.88
SSUEFC207-22	1-3/8		135	110	77.8	11	14	8	9	26	90	43.9	17.5	37.4	M12	1.88
SSUEFC207-23	1-7/16		135	110	77.8	11	14	8	9	26	90	43.9	17.5	37.4	M12	1.88
SSUEFC208		40	145	120	84.8	11	14	10	9	26	100	50.2	19	42.2	M12	2.2
SSUEFC208-24	1-1/2		145	120	84.8	11	14	10	9	26	100	50.2	19	42.2	M12	2.2
SSUEFC208-25	1-9/16		145	120	84.8	11	14	10	9	26	100	50.2	19	42.2	M12	2.2
SSUEFC209		45	160	132	93.3	10	16	12	10	26	105	50.2	19	41.2	M14	2.57
SSUEFC209-26	1-5/8		160	132	93.3	10	16	12	10	26	105	50.2	19	41.2	M14	2.57
SSUEFC209-27	1-11/16		160	132	93.3	10	16	12	10	26	105	50.2	19	41.2	M14	2.57
SSUEFC209-28	1-3/4		160	132	93.3	10	16	12	10	26	105	50.2	19	41.2	M14	2.57
SSUEFC210		50	165	138	97.6	10	16	12	14	28	110	52.6	19	43.6	M14	3
SSUEFC210-30	1-7/8		165	138	97.6	10	16	12	14	28	110	52.6	19	43.6	M14	3
SSUEFC210-31	1-15/16		165	138	97.6	10	16	12	14	28	110	52.6	19	43.6	M14	3
SSUEFC210-32	2		165	138	97.6	10	16	12	14	28	110	52.6	19	43.6	M14	3
SSUEFC211		55	185	150	106.1	13	19	12	13	30	125	56.6	22.2	47.4	M16	4.08
SSUEFC211-32	2		185	150	106.1	13	19	12	13	30	125	56.6	22.2	47.4	M16	4.08
SSUEFC211-34	2-1/8		185	150	106.1	13	19	12	13	30	125	56.6	22.2	47.4	M16	4.08
SSUEFC211-35	2-3/16		185	150	106.1	13	19	12	13	30	125	56.6	22.2	47.4	M16	4.08
SSUEFC212		60	195	160	113.1	17	19	12	15	35	135	66.6	25.4	58.2	M16	4.98
SSUEFC212-36	2-1/4		195	160	113.1	17	19	12	15	35	135	66.6	25.4	58.2	M16	4.98
SSUEFC212-38	2-3/8		195	160	113.1	17	19	12	15	35	135	66.6	25.4	58.2	M16	4.98
SSUEFC212-39	2-7/16		195	160	113.1	17	19	12	15	35	135	66.6	25.4	58.2	M16	4.98

Notes: 1. Upon request, available with plastic close cap(CC) or open cap(OC) at one end. Ordering example SSUEFC204-12 CC

2. Lubricated with food grade grease.

All stainless steel flange 4-bolt and inch-based housing, Setscrew locking



• Solid Base

Unit No.	Shaft Dia		Dimensions(mm)									Bolt Size (mm)	Weight (kg)
	d (in)	d (mm)	L	J	A2	A1	A	N	z	B	S		
SSUCF204A		20	86	64	15	11	25.5	12	33.3	31	12.7	M10	0.71
SSUCF204-12A	3/4		86	64	15	11	25.5	12	33.3	31	12.7	M10	0.71
SSUCF205A		25	95	70	16	13	28	12	35.8	34.1	14.3	M10	0.97
SSUCF205-14A	7/8		95	70	16	13	28	12	35.8	34.1	14.3	M10	0.97
SSUCF205-15A	15/16		95	70	16	13	28	12	35.8	34.1	14.3	M10	0.97
SSUCF205-16A	1		95	70	16	13	28	12	35.8	34.1	14.3	M10	0.97
SSUCF206A		30	108	83	18	13	31	12	40.2	38.1	15.9	M10	1.41
SSUCF206-17A	1-1/16		108	83	18	13	31	12	40.2	38.1	15.9	M10	1.41
SSUCF206-18A	1-1/8		108	83	18	13	31	12	40.2	38.1	15.9	M10	1.41
SSUCF206-19A	1-3/16		108	83	18	13	31	12	40.2	38.1	15.9	M10	1.41
SSUCF206-20A	1-1/4		108	83	18	13	31	12	40.2	38.1	15.9	M10	1.41
SSUCF207A		35	117	92	19	15	34	14	44.4	42.9	17.5	M12	1.86
SSUCF207-20A	1-1/4		117	92	19	15	34	14	44.4	42.9	17.5	M12	1.86
SSUCF207-21A	1-5/16		117	92	19	15	34	14	44.4	42.9	17.5	M12	1.86
SSUCF207-22A	1-3/8		117	92	19	15	34	14	44.4	42.9	17.5	M12	1.86
SSUCF207-23A	1-7/16		117	92	19	15	34	14	44.4	42.9	17.5	M12	1.86
SSUCF208A		40	130	102	21	15	36	16	51.2	49.2	19	M14	2.3
SSUCF208-24A	1-1/2		130	102	21	15	36	16	51.2	49.2	19	M14	2.3
SSUCF208-25A	1-9/16		130	102	21	15	36	16	51.2	49.2	19	M14	2.3
SSUCF209A		45	137	105	22	16	38	16	52.2	49.2	19	M14	2.71
SSUCF209-26A	1-5/8		137	105	22	16	38	16	52.2	49.2	19	M14	2.71
SSUCF209-27A	1-11/16		137	105	22	16	38	16	52.2	49.2	19	M14	2.71
SSUCF209-28A	1-3/4		137	105	22	16	38	16	52.2	49.2	19	M14	2.71
SSUCF210A		50	143	111	22	16	40	16	54.6	51.6	19	M14	2.93
SSUCF210-30A	1-7/8		143	111	22	16	40	16	54.6	51.6	19	M14	2.93
SSUCF210-31A	1-15/16		143	111	22	16	40	16	54.6	51.6	19	M14	2.93
SSUCF210-32A	2		143	111	22	16	40	16	54.6	51.6	19	M14	2.93
SSUCF211A		55	162	130	25	18	43	19	58.4	55.6	22.2	M16	4.13
SSUCF211-32A	2		162	130	25	18	43	19	58.4	55.6	22.2	M16	4.13
SSUCF211-34A	2-1/8		162	130	25	18	43	19	58.4	55.6	22.2	M16	4.13
SSUCF211-35A	2-3/16		162	130	25	18	43	19	58.4	55.6	22.2	M16	4.13
SSUCF212A		60	175	143	29	18	48	19	68.7	65.1	25.4	M16	5.51
SSUCF212-36A	2-1/4		175	143	29	18	48	19	68.7	65.1	25.4	M16	5.51
SSUCF212-38A	2-3/8		175	143	29	18	48	19	68.7	65.1	25.4	M16	5.51
SSUCF212-39A	2-7/16		175	143	29	18	48	19	68.7	65.1	25.4	M16	5.51

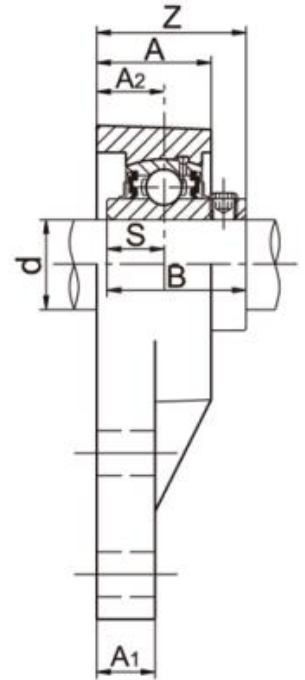
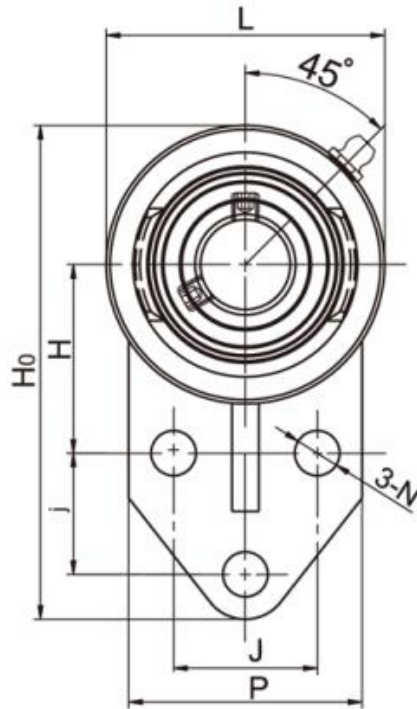
Notes:1.Upon request,available with plastic close cap(CC) or open cap(OC) at one end. Ordering example SSUCF204-12A CC.

2.Back seal is available when mounted with SSB inserts.

3. Hand polishing surface housing available upon request. Ordering example SSUCF204-12A HP.

4.Lubricated with food grade grease.

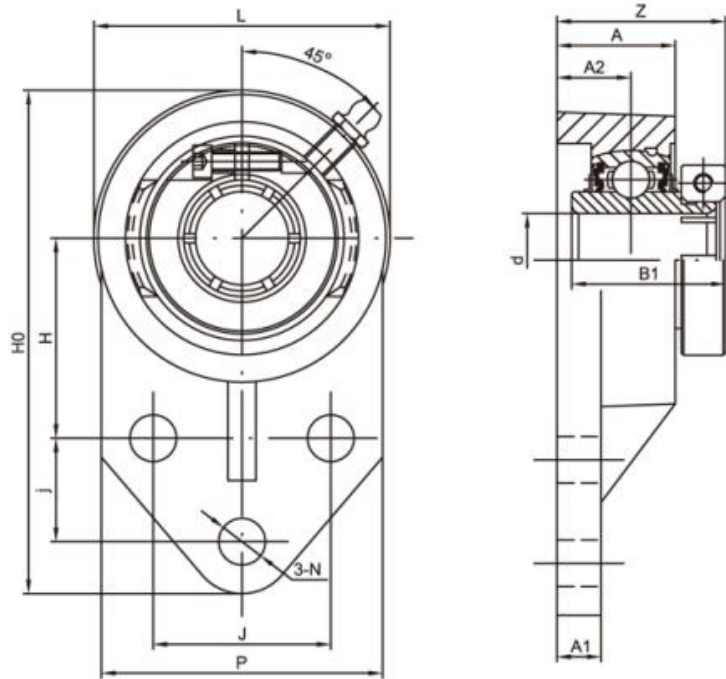
All stainless steel flange bracket units and inch-based housing, Setscrew locking



Unit No.	Shaft Dia		Dimensions(mm)													Bolt Size (mm)	Weight (kg)
	d		Ho	H	J	j	A2	A1	A	N	L	P	B	S	Z		
	(in)	(mm)															
SSUCFB204A		20	108	42.9	38.1	22.2	15.9	9.5	25.4	10	63.5	60.3	31	12.7	34.2	M8	0.58
SSUCFB204- 12A	3/4		108	42.9	38.1	22.2	15.9	9.5	25.4	10	63.5	60.3	31	12.7	34.2	M8	0.58
SSUCFB205A		25	120.7	46	41.6	28.6	16.7	11.1	29.4	10	69.1	63.5	34.1	14.3	36.4	M8	0.73
SSUCFB205-14A	7/8		120.7	46	41.6	28.6	16.7	11.1	29.4	10	69.1	63.5	34.1	14.3	36.4	M8	0.73
SSUCFB205-15A	15/16		120.7	46	41.6	28.6	16.7	11.1	29.4	10	69.1	63.5	34.1	14.3	36.4	M8	0.73
SSUCFB205-16A	1		120.7	46	41.6	28.6	16.7	11.1	29.4	10	69.1	63.5	34.1	14.3	36.4	M8	0.73
SSUCFB206A		30	136.5	52.4	47.6	31.8	18.7	11.1	33.3	10	82.6	70	38.1	15.9	40.8	M8	1.13
SSUCFB206-17A	1-1/16		136.5	52.4	47.6	31.8	18.7	11.1	33.3	10	82.6	70	38.1	15.9	40.8	M8	1.13
SSUCFB206-18A	1-1/8		136.5	52.4	47.6	31.8	18.7	11.1	33.3	10	82.6	70	38.1	15.9	40.8	M8	1.13
SSUCFB206-19A	1-3/16		136.5	52.4	47.6	31.8	18.7	11.1	33.3	10	82.6	70	38.1	15.9	40.8	M8	1.13
SSUCFB206-20A	1-1/4		136.5	52.4	47.6	31.8	18.7	11.1	33.3	10	82.6	70	38.1	15.9	40.8	M8	1.13
SSUCFB207A		35	155.6	60.3	50.8	31.8	21	14.3	37.3	13	94.5	82.6	42.9	17.5	46.4	M10	1.7
SSUCFB207-20A	1-1/4		155.6	60.3	50.8	31.8	21	14.3	37.3	13	94.5	82.6	42.9	17.5	46.4	M10	1.7
SSUCFB207-21A	1-5/16		155.6	60.3	50.8	31.8	21	14.3	37.3	13	94.5	82.6	42.9	17.5	46.4	M10	1.7
SSUCFB207-22A	1-3/8		155.6	60.3	50.8	31.8	21	14.3	37.3	13	94.5	82.6	42.9	17.5	46.4	M10	1.7
SSUCFB207-23A	1-7/16		155.6	60.3	50.8	31.8	21	14.3	37.3	13	94.5	82.6	42.9	17.5	46.4	M10	1.7

Notes: 1. Upon request, available with plastic close cap(CC) or open cap(OC) at one end. Ordering example SSUCFB204-12A CC.

2. Lubricated with food grade grease.

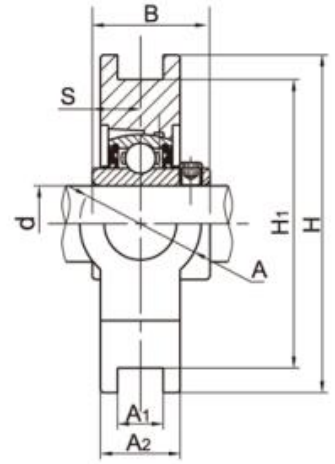
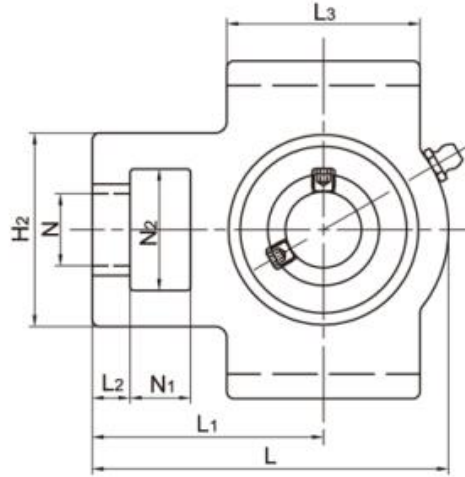


Unit No.	Shaft Dia		Dimensions(mm)													Bolt Size (mm)	Weight (kg)
	d		Ho	H	J	j	A2	A1	A	N	L	P	B1	S	Z		
	(in)	(mm)															
SSUEFB204A		20	108	42.9	38.1	22.2	15.9	9.5	25.4	10	63.5	60.3	33	12.7	36.2	M8	0.6
SSUEFB204- 12A	3/4		108	42.9	38.1	22.2	15.9	9.5	25.4	10	63.5	60.3	33	12.7	36.2	M8	0.6
SSUEFB205A		25	120.7	46	41.6	28.6	16.7	11.1	29.4	10	69.1	63.5	35.4	14.3	37.7	M8	0.8
SSUEFB205-14A	7/8		120.7	46	41.6	28.6	16.7	11.1	29.4	10	69.1	63.5	35.4	14.3	37.7	M8	0.8
SSUEFB205-15A	15/16		120.7	46	41.6	28.6	16.7	11.1	29.4	10	69.1	63.5	35.4	14.3	37.7	M8	0.8
SSUEFB205-16A	1		120.7	46	41.6	28.6	16.7	11.1	29.4	10	69.1	63.5	35.4	14.3	37.7	M8	0.8
SSUEFB206A		30	136.5	52.4	47.6	31.8	18.7	11.1	33.3	10	82.6	70	39.8	15.9	42.5	M8	1.13
SSUEFB206-17A	1-1/16		136.5	52.4	47.6	31.8	18.7	11.1	33.3	10	82.6	70	39.8	15.9	42.5	M8	1.13
SSUEFB206-18A	1-1/8		136.5	52.4	47.6	31.8	18.7	11.1	33.3	10	82.6	70	39.8	15.9	42.5	M8	1.13
SSUEFB206-19A	1-3/16		136.5	52.4	47.6	31.8	18.7	11.1	33.3	10	82.6	70	39.8	15.9	42.5	M8	1.13
SSUEFB206-20A	1-1/4		136.5	52.4	47.6	31.8	18.7	11.1	33.3	10	82.6	70	39.8	15.9	42.5	M8	1.13
SSUEFB207A		35	155.6	60.3	50.8	31.8	21	14.3	37.3	13	94.5	82.6	43.9	17.5	47.4	M10	1.7
SSUEFB207-20A	1-1/4		155.6	60.3	50.8	31.8	21	14.3	37.3	13	94.5	82.6	43.9	17.5	47.4	M10	1.7
SSUEFB207-21A	1-5/16		155.6	60.3	50.8	31.8	21	14.3	37.3	13	94.5	82.6	43.9	17.5	47.4	M10	1.7
SSUEFB207-22A	1-3/8		155.6	60.3	50.8	31.8	21	14.3	37.3	13	94.5	82.6	43.9	17.5	47.4	M10	1.7
SSUEFB207-23A	1-7/16		155.6	60.3	50.8	31.8	21	14.3	37.3	13	94.5	82.6	43.9	17.5	47.4	M10	1.7

Notes: 1. Upon request, available with plastic close cap(CC) or open cap(OC) at one end. Ordering example SSUEFB204-12A CC.

2. Lubricated with food grade grease.

All stainless steel take up units, Setscrew locking

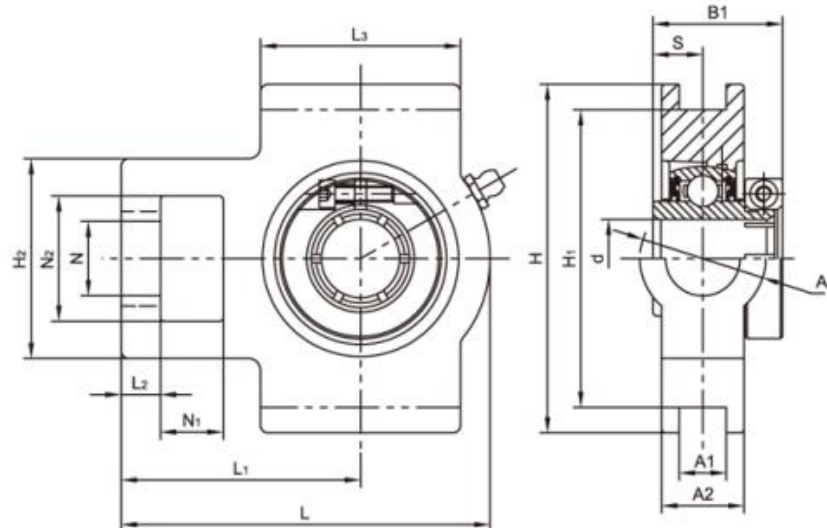


Unit No.	Shaft Dia		Dimensions(mm)															Weight (kg)
	d		N1	L2	H2	N2	N	L3	A1	H1	H	L	A	A2	L1	B	s	
	(in)	(mm)																
SSUCT204		20	16	10	51	32	19	51	12	76	89	94	32	21	61	31	12.7	0.79
SSUCT204-12	3/4		16	10	51	32	19	51	12	76	89	94	32	21	61	31	12.7	0.79
SSUCT205		25	16	10	51	32	19	51	12	76	89	97	32	24	62	34.1	14.3	0.84
SSUCT205-14	7/8		16	10	51	32	19	51	12	76	89	97	32	24	62	34.1	14.3	0.84
SSUCT205-15	15/16		16	10	51	32	19	51	12	76	89	97	32	24	62	34.1	14.3	0.84
SSUCT205-16	1		16	10	51	32	19	51	12	76	89	97	32	24	62	34.1	14.3	0.84
SSUCT206		30	16	10	56	37	22	57	12	89	102	113	37	28	70	38.1	15.9	1.32
SSUCT206-17	1-1/16		16	10	56	37	22	57	12	89	102	113	37	28	70	38.1	15.9	1.32
SSUCT206-18	1-1/8		16	10	56	37	22	57	12	89	102	113	37	28	70	38.1	15.9	1.32
SSUCT206-19	1-3/16		16	10	56	37	22	57	12	89	102	113	37	28	70	38.1	15.9	1.32
SSUCT206-20	1-1/4		16	10	56	37	22	57	12	89	102	113	37	28	70	38.1	15.9	1.32
SSUCT207		35	16	13	64	37	22	64	12	89	102	129	37	30	78	42.9	17.5	1.72
SSUCT207-20	1-1/4		16	13	64	37	22	64	12	89	102	129	37	30	78	42.9	17.5	1.72
SSUCT207-21	1-5/16		16	13	64	37	22	64	12	89	102	129	37	30	78	42.9	17.5	1.72
SSUCT207-22	1-3/8		16	13	64	37	22	64	12	89	102	129	37	30	78	42.9	17.5	1.72
SSUCT207-23	1-7/16		16	13	64	37	22	64	12	89	102	129	37	30	78	42.9	17.5	1.72
SSUCT208		40	19	16	83	49	29	83	16	102	114	144	49	33	88	49.2	19	2.52
SSUCT208-24	1-1/2		19	16	83	49	29	83	16	102	114	144	49	33	88	49.2	19	2.52
SSUCT208-25	1-9/16		19	16	83	49	29	83	16	102	114	144	49	33	88	49.2	19	2.52
SSUCT209		45	19	16	83	49	29	83	16	102	117	144	49	35	87	49.2	19	2.52
SSUCT209-26	1-5/8		19	16	83	49	29	83	16	102	117	144	49	35	87	49.2	19	2.52
SSUCT209-27	1-11/16		19	16	83	49	29	83	16	102	117	144	49	35	87	49.2	19	2.52
SSUCT209-28	1-3/4		19	16	83	49	29	83	16	102	117	144	49	35	87	49.2	19	2.52
SSUCT210		50	19	16	83	49	29	86	16	102	117	149	49	37	90	51.6	19	2.69
SSUCT210-30	1-7/8		19	16	83	49	29	86	16	102	117	149	49	37	90	51.6	19	2.69
SSUCT210-31	1-15/16		19	16	83	49	29	86	16	102	117	149	49	37	90	51.6	19	2.69
SSUCT210-32	2		19	16	83	49	29	86	16	102	117	149	49	37	90	51.6	19	2.69
SSUCT211		55	25	19	102	64	35	95	22	130	146	171	64	38	106	55.6	22.2	4.04
SSUCT211-32	2		25	19	102	64	35	95	22	130	146	171	64	38	106	55.6	22.2	4.04
SSUCT211-34	2-1/8		25	19	102	64	35	95	22	130	146	171	64	38	106	55.6	22.2	4.04
SSUCT211-35	2-3/16		25	19	102	64	35	95	22	130	146	171	64	38	106	55.6	22.2	4.04
SSUCT212		60	32	19	102	64	35	102	22	130	146	194	64	42	119	65.1	25.4	5
SSUCT212-36	2-1/4		32	19	102	64	35	102	22	130	146	194	64	42	119	65.1	25.4	5
SSUCT212-38	2-3/8		32	19	102	64	35	102	22	130	146	194	64	42	119	65.1	25.4	5
SSUCT212-39	2-7/16		32	19	102	64	35	102	22	130	146	194	64	42	119	65.1	25.4	5

Notes: 1. Upon request, available with plastic close cap(CC) or open cap(OC) at one end. Ordering example SSUCT204-12 CC.

2. Lubricated with food grade grease.

All stainless steel take up units,concentric locking



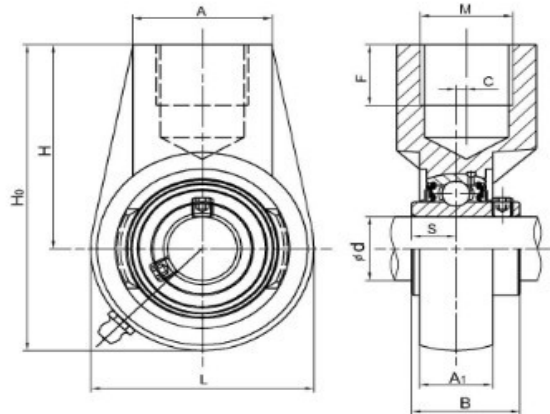
Unit No.	Shaft Dia		Dimensions(mm)															Weight (kg)
	d		N1	L2	H2	N2	N	L3	A1	H1	H	L	A	A2	L1	B1	S	
	(in)	(mm)																
SSUET204		20	16	10	51	32	19	51	12	76	89	94	32	21	61	33	12.7	0.82
SSUET204-12	3/4		16	10	51	32	19	51	12	76	89	94	32	21	61	33	12.7	0.82
SSUET205		25	16	10	51	32	19	51	12	76	89	97	32	24	62	35.4	14.3	0.89
SSUET205-14	7/8		16	10	51	32	19	51	12	76	89	97	32	24	62	35.4	14.3	0.89
SSUET205-15	15/16		16	10	51	32	19	51	12	76	89	97	32	24	62	35.4	14.3	0.89
SSUET205-16	1		16	10	51	32	19	51	12	76	89	97	32	24	62	35.4	14.3	0.89
SSUET206		30	16	10	56	37	22	57	12	89	102	113	37	28	70	39.8	15.9	1.38
SSUET206-17	1-1/16		16	10	56	37	22	57	12	89	102	113	37	28	70	39.8	15.9	1.38
SSUET206-18	1-1/8		16	10	56	37	22	57	12	89	102	113	37	28	70	39.8	15.9	1.38
SSUET206-19	1-3/16		16	10	56	37	22	57	12	89	102	113	37	28	70	39.8	15.9	1.38
SSUET206-20	1-1/4		16	10	56	37	22	57	12	89	102	113	37	28	70	39.8	15.9	1.38
SSUET207		35	16	13	64	37	22	64	12	89	102	129	37	30	78	43.9	17.5	1.75
SSUET207-20	1-1/4		16	13	64	37	22	64	12	89	102	129	37	30	78	43.9	17.5	1.75
SSUET207-21	1-5/16		16	13	64	37	22	64	12	89	102	129	37	30	78	43.9	17.5	1.75
SSUET207-22	1-3/8		16	13	64	37	22	64	12	89	102	129	37	30	78	43.9	17.5	1.75
SSUET207-23	1-7/16		16	13	64	37	22	64	12	89	102	129	37	30	78	43.9	17.5	1.75
SSUET208		40	19	16	83	49	29	83	16	102	114	144	49	33	88	50.2	19	2.55
SSUET208-24	1-1/2		19	16	83	49	29	83	16	102	114	144	49	33	88	50.2	19	2.55
SSUET208-25	1-9/16		19	16	83	49	29	83	16	102	114	144	49	33	88	50.2	19	2.55
SSUET209		45	19	16	83	49	29	83	16	102	117	144	49	35	87	50.2	19	2.57
SSUET209-26	1-5/8		19	16	83	49	29	83	16	102	117	144	49	35	87	50.2	19	2.57
SSUET209-27	1-11/16		19	16	83	49	29	83	16	102	117	144	49	35	87	50.2	19	2.57
SSUET209-28	1-3/4		19	16	83	49	29	83	16	102	117	144	49	35	87	50.2	19	2.57
SSUET210		50	19	16	83	49	29	86	16	102	117	149	49	37	90	52.6	19	2.74
SSUET210-30	1-7/8		19	16	83	49	29	86	16	102	117	149	49	37	90	52.6	19	2.74
SSUET210-31	1-15/16		19	16	83	49	29	86	16	102	117	149	49	37	90	52.6	19	2.74
SSUET210-32	2		19	16	83	49	29	86	16	102	117	149	49	37	90	52.6	19	2.74
SSUET211		55	25	19	102	64	35	95	22	130	146	171	64	38	106	56.6	22.2	4.12
SSUET211-32	2		25	19	102	64	35	95	22	130	146	171	64	38	106	56.6	22.2	4.12
SSUET211-34	2-1/8		25	19	102	64	35	95	22	130	146	171	64	38	106	56.6	22.2	4.12
SSUET211-35	2-3/16		25	19	102	64	35	95	22	130	146	171	64	38	106	56.6	22.2	4.12
SSUET212		60	32	19	102	64	35	102	22	130	146	194	64	42	119	66.6	25.4	5.08
SSUET212-36	2-1/4		32	19	102	64	35	102	22	130	146	194	64	42	119	66.6	25.4	5.08
SSUET212-38	2-3/8		32	19	102	64	35	102	22	130	146	194	64	42	119	66.6	25.4	5.08
SSUET212-39	2-7/16		32	19	102	64	35	102	22	130	146	194	64	42	119	66.6	25.4	5.08

Notes: 1.Upon request,available with plastic close cap(CC) or open cap(OC) at one end. Ordering example SSUET204-12 CC.

2.Lubricated with food grade grease.

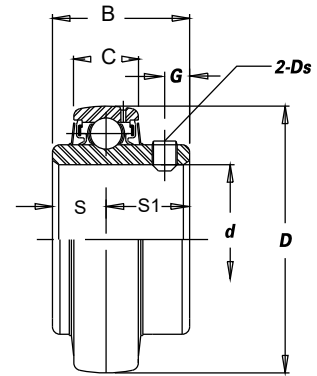
SSUCHA200

- ◆ Bearing - AISI440C
- ◆ Lubrication - Available Food Grade Grease
- ◆ Shiny polishing surface treatment to the stainless steel housing is available -Add Suffix " HP "
- ◆ Housing - AISI304
- ◆ Operating Temp. -20°C +120°C

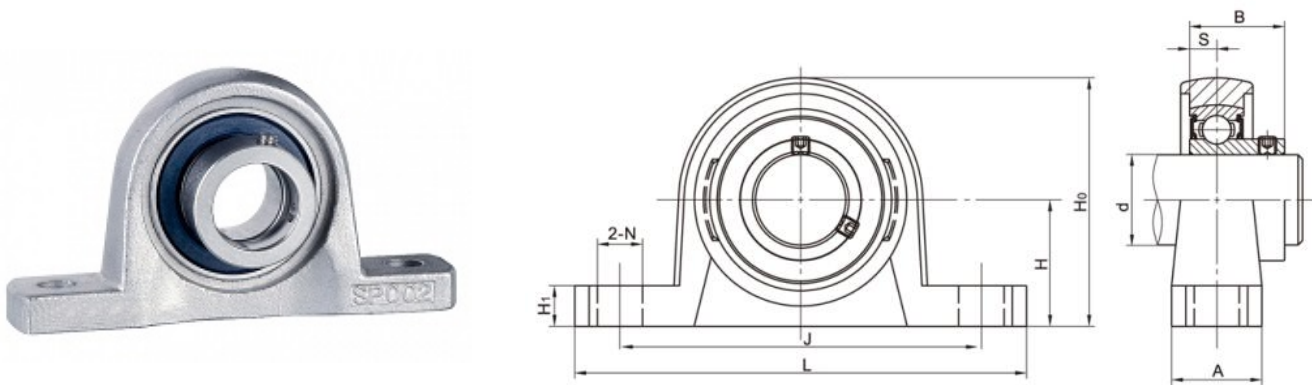


Unit No.	Dimensions(mm)											Bearing	Housing	Weight (kg)
	d	L	Ho	H	A	M(in)	F	C	A1	B	S			
SSUCSHA201	12											SUCS201		
SSUCSHA202	15	57	88.5	60	38	G3/4	19	0		27.4	11.5	SUCS202	SHA203	0.6
SSUCSHA203	17											SUCS203		
SSUCHA201	12											SUC201		
SSUCHA202	15											SUC202		
SSUCHA203	17	64	96	64	40	G3/4	19	0	21	31	12.7	SUC203	SHA204	0.7
SSUCHA204	20											SUC204		
SSUCHA204-12	19.05											SUC204-12		
SSUCHA205	25											SUC205		
SSUCHA205-14	22.225	78	103	64	40	G3/4	19	0	24	34.1	14.3	SUC205-14	SHA205	0.74
SSUCHA205-15	23.813											SUC205-15		
SSUCHA205-16	25.4											SUC205-16		
SSUCHA206	30											SUC206		
SSUCHA206-18	28.575	78	103	64	40	G3/4	19	0	28	38.1	15.9	SUC206-18	SHA206	0.91
SSUCHA206-19	30.163											SUC206-19		
SSUCHA206-20	31.75											SUC206-20		
SSUCHA207	35											SUC207		
SSUCHA207-20	31.75											SUC207-20		
SSUCHA207-21	33.338	92	116	70	40	G3/4	19	0	30	42.9	17.5	SUC207-21	SHA207	1.19
SSUCHA207-22	34.925											SUC207-22		
SSUCHA207-23	36.513											SUC207-23		
SSUCHA208	40											SUC208		
SSUCHA208-24	38.1	100	123	73	40	G3/4	19	2	33	49.2	19	SUC208-24	SHA208	1.36
SSUCHA208-25	39.688											SUC208-25		
SSUCHA209	45											SUC209		
SSUCHA209-26	41.275	108	136	82	48	G1	21	5	35	49.2	19	SUC209-26	SHA209	1.78
SSUCHA209-27	42.863											SUC209-27		
SSUCHA209-28	44.45											SUC209-28		
SSUCHA210	50											SUC210		
SSUCHA210-30	47.625	119	142	83	48	G1	21	5	37	51.6	19	SUC210-30	SHA210	1.93
SSUCHA210-31	49.213											SUC210-31		
SSUCHA210-32	50.8											SUC210-32		
SSUCHA211	55											SUC211		
SSUCHA211-32	50.8	126	150	87	60	G5/4	25	7	38	55.6	22.2	SUC211-32	SHA211	3.5
SSUCHA211-34	53.975											SUC211-34		
SSUCHA211-35	53.975											SUC211-35		
SSUCHA212	60											SUC212		
SSUCHA212-36	57.15	142	173	102	60	G5/4	28	9	42	65.1	25.4	SUC212-36	SHA212	3.9
SSUCHA212-38	60.325											SUC212-38		
SSUCHA212-39	61.913											SUC212-39		
SSUCHA213	65											SUC213		
SSUCHA213-40	63.5	166	200	117	70	G1-1/2	32	9.5	44	65.1	25.4	SUC213-40	SHA213	5.9

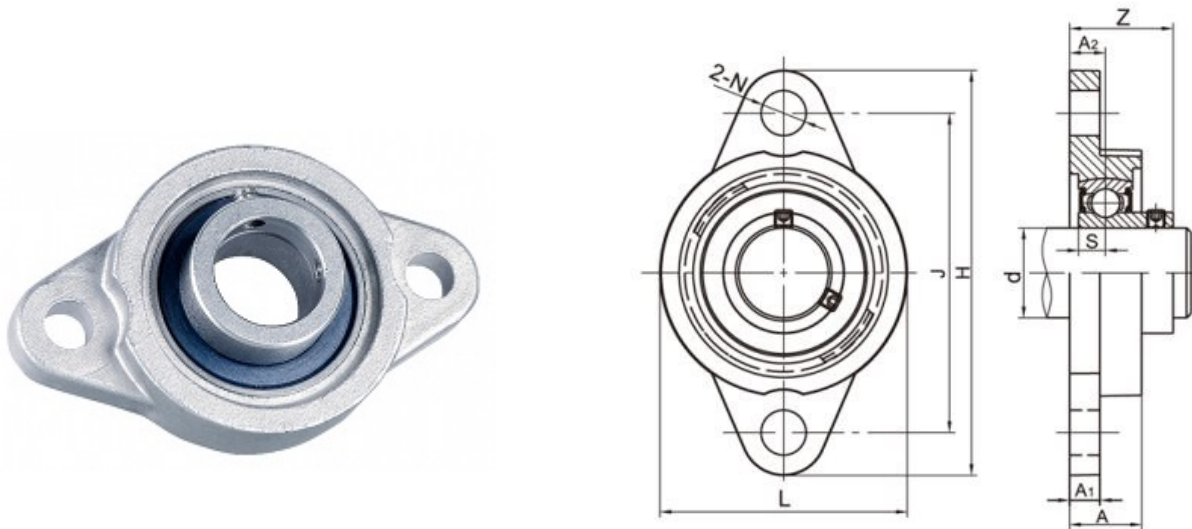
SSUC200



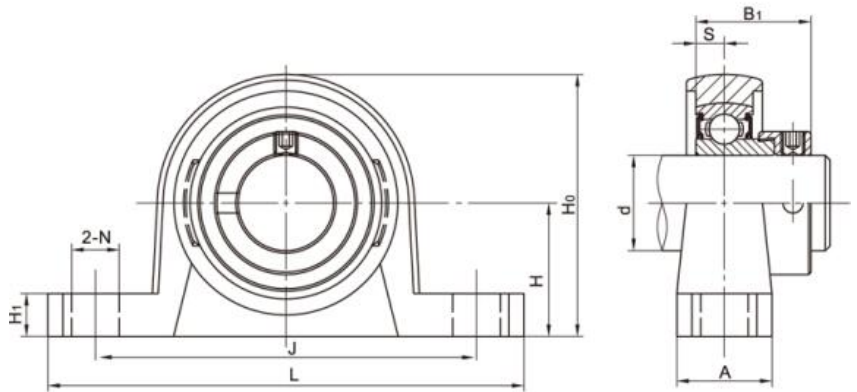
Bearing No.	Shaft Dia		Dimensions(mm)						ds	Basic Load ratings			Mass kg
	d		D	B	C	S	S1	G		Ca	Cr	Cor	
	mm	in											
SSUC201	12												0.21
201-8	12.7	1/2"											0.21
SSUC202	15												0.19
202-9	14.288	9/16"											0.19
202-10	15.875	5/8"	47	31	17	12.7	18.3	5	M6x1 1/4-28UNF	4.3	9.88	6.2	0.19
SSUC203	17												0.18
203-11	17.463	11/16											0.19
SSUC204	20												0.17
204-12	19.05	3/4											0.18
SSUC205	25												0.19
205-13	20.637	13/16											0.22
205-14	22.225	7/8	52	34.1	17	14.3	19.8	5.4	M6x1 1/4-28UNF	4	10.78	6.98	0.21
205-15	23.813	15/16											0.2
205-16	25.4	1											0.19
SSUC206	30												0.31
206-17	26.988	1-1/16											0.34
206-18	28.575	1-1/8	62	38.1	19	15.9	22.2	5.5	M6x1 1/4-28UNF	5.3	14.97	10.04	0.33
206-19	30.163	1-3/16											0.32
206-20	31.75	1-1/4											0.3
SSUC207	35												0.46
207-20	31.75	1-1/4											0.52
207-21	33.338	1-5/16	72	42.9	20	17.5	25.4	6.9	M8x1 5/16UNF	5.8	19.75	13.67	0.51
207-22	34.925	1-3/8											0.48
207-23	36.513	1-7/16											0.46
SSUC208	40												0.63
208-24	38.1	1-1/2	80	49.2	21	19	30.2	8	M8x1 5/16UNF	6.2	22.71	15.94	0.68
208-25	39.688	1-9/16											0.64
UC209	45												0.68
209-26	41.275	1-5/8											0.78
209-27	40.922	1-11/16	85	49.2	22	19	30.2	8	M8x1 5/16UNF	6.5	24.36	17.71	0.74
209-28	44.45	1-3/4											0.7
UC210	50												0.78
210-30	47.625	1-7/8	90	51.6	24	19	32.6	10	M10x1.25 3/8-24UNF	7	26.98	19.84	0.85
210-31	49.213	1-15/16											0.8
210-32	50.8	2											0.78



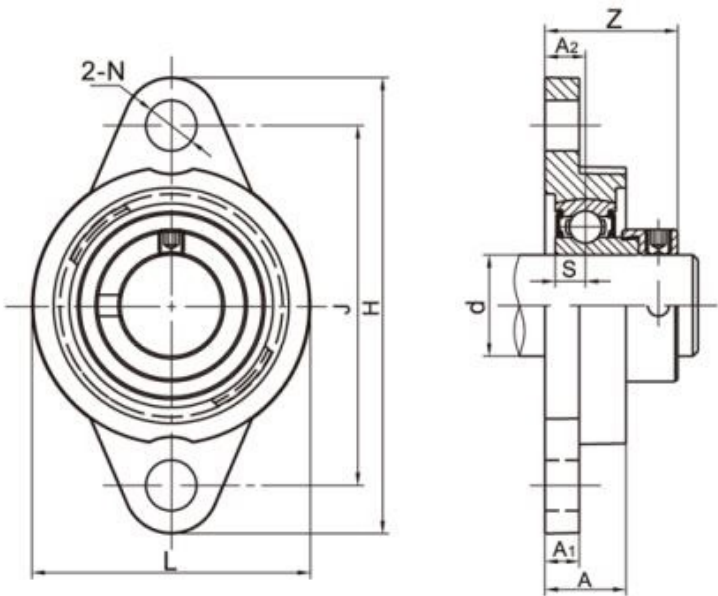
Unit No.	Shaft d(mm)	Dimensions(mm)									Bolt Size (mm)	Bearing No.	Housing No.	Weight (kg)
		H	L	J	A	H1	Ho	N	S	B				
SSKP000	10	18	67	53	16	6	35	7	4	14	M6	SK000	SP000	0.03
SSKP001	12	19	71	56	16	6	38	7	4	14.5	M6	SK001	SP001	0.04
SSKP002	15	22	80	63	16	7	43	7	4.5	16.5	M6	SK002	SP002	0.05
SSKP003	17	24	85	67	18	7	47	7	5	17.5	M6	SK003	SP003	0.07
SSKP004	20	28	100	80	20	9	55	10	6	21	M8	SK004	SP004	0.11
SSKP005	25	32	112	90	20	10	62	10	6	22.5	M8	SK005	SP005	0.15
SSKP006	30	36	132	106	26	11	70	13	6.5	24.5	M10	SK006	SP006	0.21



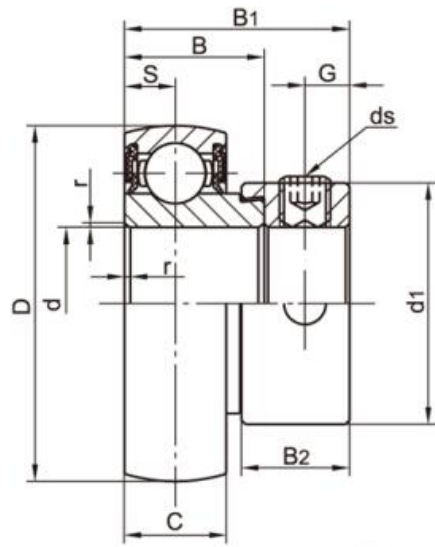
Unit No.	Shaft d(mm)	Dimensions(mm)									Bolt Size (mm)	Bearing No.	Housing No.	Weight (kg)
		H	J	A2	A1	A	N	L	s	z				
SSKFL000	10	60	45	5.5	6	12	7	36	4	16	M6	SK000	SFL000	0.07
SSKFL001	12	63	48	5.5	6	12	7	38	4	16.5	M6	SK001	SFL001	0.08
SSKFL002	15	67	53	6.5	6.5	13	7	42	4.5	18.5	M6	SK002	SFL002	0.11
SSKFL003	17	71	56	7	7	14	7	46	5	19.5	M6	SK003	SFL003	0.14
SSKFL004	20	90	71	8	8	16	10	55	6	23	M8	SK004	SFL004	0.23
SSKFL005	25	95	75	8	8	16	10	60	6	24.5	M8	SK005	SFL005	0.27
SSKFL006	30	112	85	9	9	18	13	70	6.5	27	M10	SK006	SFL006	0.39



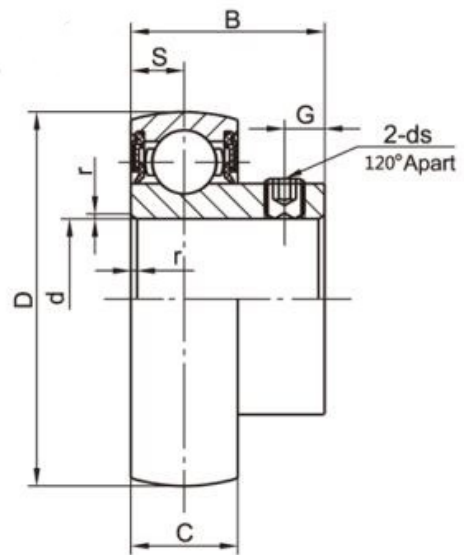
Unit No.	Shaft d(mm)	Dimensions(mm)									Bolt Size (mm)	Bearing No.	Housing No.	Weight (kg)
		H	L	J	A	H1	Ho	N	S	B1				
SSUP000	10	18	67	53	16	6	35	7	4	17.7	M6	SU000	SP000	0.08
SSUP001	12	19	71	56	16	6	38	7	4	17.7	M6	SU001	SP001	0.1
SSUP002	15	22	80	63	16	7	43	7	4.5	18.7	M6	SU002	SP002	0.14
SSUP003	17	24	85	67	18	7	47	7	5	20.7	M6	SU003	SP003	0.17
SSUP004	20	28	100	80	20	9	55	10	6	24.2	M8	SU004	SP004	0.26
SSUP005	25	32	112	90	20	10	62	10	6	25	M8	SU005	SP005	0.33
SSUP006	30	36	132	106	26	11	70	13	6.5	26	M10	SU006	SP006	0.5



Unit No.	Shaft d(mm)	Dimensions(mm)									Bolt Size (mm)	Bearing No.	Housing No.	Weight (kg)
		H	J	A2	A1	A	N	L	s	z				
SSUFL000	10	60	45	5.5	6	12	7	36	4	19.7	M6	SU000	SFL000	0.07
SSUFL001	12	63	48	5.5	6	12	7	38	4	19.7	M6	SU001	SFL001	0.08
SSUFL002	15	67	53	6.5	6.5	13	7	42	4.5	20.7	M6	SU002	SFL002	0.11
SSUFL003	17	71	56	7	7	14	7	46	5	22.7	M6	SU003	SFL003	0.14
SSUFL004	20	90	71	8	8	16	10	55	6	26.2	M8	SU004	SFL004	0.23
SSUFL005	25	95	75	8	8	16	10	60	6	27	M8	SU005	SFL005	0.27
SSUFL006	30	112	85	9	9	18	13	70	6.5	28.5	M10	SU006	SFL006	0.39



Bearing	Shaft d (mm)	Dimensions(mm)										Basic Load Rating kgf		Weight (kg)
		D	B	c	S	B1	B2	d1	r	G	ds	Dynamic Cr	Static Cor	
SU 000	10	26	11	8	4	17.5	8.5	17	0.7	3.5	M4X0.7	4.6	1.96	0.03
SU 001	12	28	11	8	4	17.5	8.5	19	0.7	3.5	M4X0.7	5.09	2.4	0.04
SU 002	15	32	12	9	4.5	18.5	8.5	22	0.7	3.5	M4X0.7	5.58	2.84	0.05
SU 003	17	35	13.5	10	5	20.5	9.5	25	0.8	3.5	M4X0.7	5.97	3.28	0.07
SU 004	20	42	16.5	12	6	24.5	11	30	1.3	3.8	M5X0.8	9.35	5.04	0.11
SU 005	25	47	17.5	12	6	25.5	12	36	1.3	4	M5X0.8	10.09	5.83	0.15
SU 006	30	55	18.5	13	6.5	26.5	12	42	1.5	4	M5X0.8	13.23	8.28	0.21



Bearing	Shaft d (mm)	Dimensions(mm)							Basic Load Rating kgf		Weight (kg)
		D	B	C	S	r	G	ds	Dynamic Cr	Static Cor	
SK 000	10	26	14	8	4	0.7	3	M3X0.5	4.6	1.96	0.03
SK 001	12	28	14.5	8	4	0.7	3	M3X0.5	5.09	2.4	0.04
SK 002	15	32	16.5	9	4.5	0.7	3.5	M4X0.7	5.58	2.84	0.05
SK 003	17	35	17.5	10	5	0.8	3.5	M4X0.7	5.97	3.28	0.07
SK 004	20	42	21	12	6	1.3	4	M5X0.8	9.35	5.04	0.11
SK 005	25	47	22.5	12	6	1.3	4.5	M5X0.8	10.09	5.83	0.15
SK 006	30	55	24.5	13	6.5	1.5	5	M5X0.8	13.23	8.28	0.21