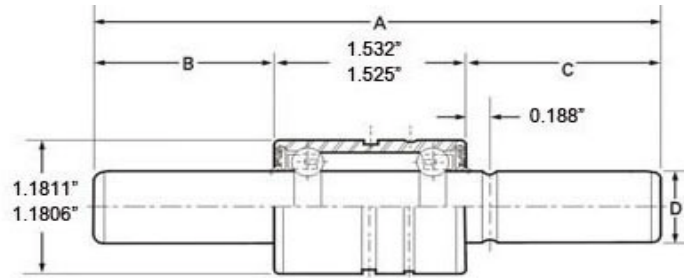
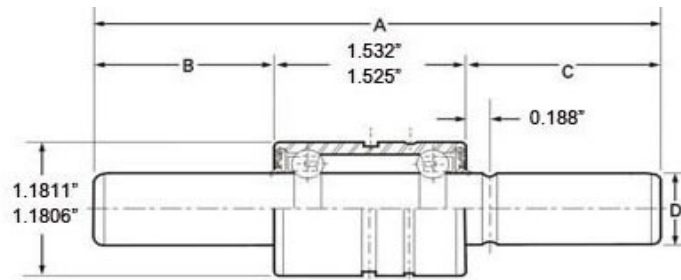


W Series --Double Row Ball Type



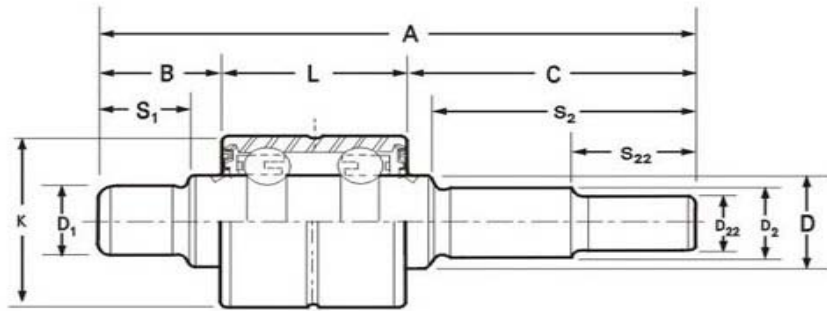
Code	NSK NO	FAG NO	A (inch)	B(inch)	C(inch)	D(inch)
W2289	885154	W2289	2.89	0.16	1.2	0.6267
W2325	885165	W2325	3.25	0.16	1.56	0.6267
W2355-3		W2355-3	3.55	0.67	1.35	0.6267
W2366	885330	W2366	3.66	0.73	1.4	0.6267
W2371		W2371	3.71	0.69	1.5	0.6267
W2375-3		W2375-3	3.76	0.56	1.67	0.6267
W2385	885307	W2385	3.86	0.67	1.66	0.6267
W2401-3	885321	W2401-3	4.02	0.67	1.8	0.6267
W2406-1	885140	W2406-1	4.06	0.92	1.61	0.6267
W2415-1	885329	W2415-1	4.15	0.8	1.82	0.6267
W2417-2	885097	W2417-2	4.17	0.81	1.83	0.6267
W2431	885107B	W2431	4.31	0.58	2.2	0.6267
W2434	885332	W2434	4.35	0.84	1.97	0.6267
W2435	885528	W2435	4.36	0.77	2.06	0.6267
W2439	885167	W2439	4.39	0.94	1.92	0.6267
W2440-4	885167D	W2440-4	4.4	1.15	1.72	0.6267
W2441-1		W2441-1	4.41	1.06	1.82	0.6267
W2446	885156	W2446	4.47	1.08	1.86	0.6267
W2454	885337A	W2454	4.55	0.81	2.21	0.6267
W2456	885162	W2456	4.56	1.1	1.93	0.6267
W2456-1		W2456-1	4.57	1.07	1.97	0.6267
W2468	885118	W2468	4.69	1.47	1.69	0.6267
W2468-1		W2468-1	4.69	1.47	1.69	0.6267
W2472	885221	W2472	4.72	1.44	1.75	0.6267
W2475	885222	W2475	4.75	1.5	1.72	0.6267
W2476-2	885105	W2476-2	4.76	1.16	2.07	0.6267
W2481	885476	W2481	4.81	1.34	1.94	0.6267

W Series --Double Row Ball Type



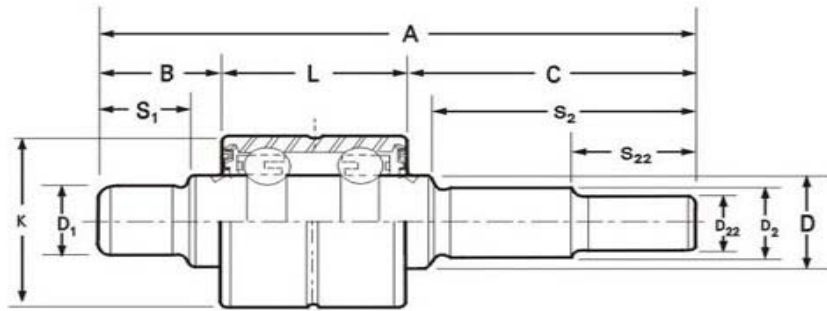
Code	NSK NO	FAG NO	A (inch)	B(inch)	C(inch)	D(inch)
W2481-1	885168C-1	W2481-1	4.81	1.13	2.16	0.6267
W2485		W2485	4.85	0.77	2.56	0.6267
W2486-2	885100B	W2486-2	4.87	1.25	2.09	0.6267
W2503	885141	W2503	5.03	1.02	2.48	0.6267
W2503-6	885151B	W2503-6	5.03	1.75	1.75	0.6267
W2507	885169-1	W2507	5.08	1.25	2.3	0.6267
W2532	885437	W2532	5.33	2	1.79	0.6267
W2537	885158P	W2537	5.37	1.54	2.3	0.6267
W2547		W2547	5.47	0.91	3.03	0.6267
W2548-1	885603	W2548-1	5.49	1.38	2.58	0.6267
W2562	885144	W2562	5.63	1.58	2.52	0.6267
W2575		W2575	5.76	2.51	1.71	0.6267
W2575-2	885694	W2575-2	5.75	2.43	1.79	0.6267
W2637	885117	W2637	6.37	2.3	2.55	0.6267
W3481-5	885168AA	W3481-5	4.81	1.58	1.7	0.6275
W3481-6	885168AA	W3481-6	4.81	1.58	1.7	0.6275
W3520-2	885521	W3520-2	5.2	1.58	2.09	0.6275
W3520-3	885521	W3520-3	5.2	1.58	2.09	0.6275
W3522-1	885611	W3522-1	5.22	1.17	2.52	0.6275
W3607	885613	W3607	6.07	1.17	3.37	0.6275
W3607-1	885613	W3607-1	6.07	1.17	3.37	0.6275

WS Series --Double Row Ball Type



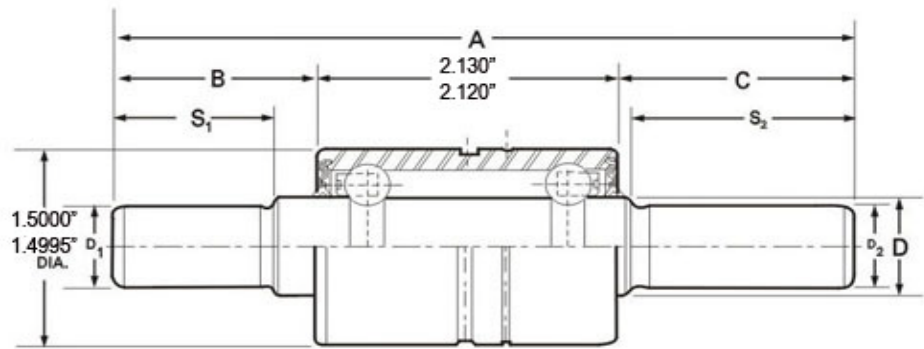
Code	A	B	C	D	K	L	D ₁	S ₁	D ₂	S ₂	D ₂₂	S ₂₂
WS2385-8	3.86	0.71	1.62	0.6267	1.18	1.53						
WS2401	4.02	1.06	1.38	0.4739	1.02	1.57						
WS2401-3	4.02	0.55	1.84		1.5	1.63			0.627	1.76	0.514	0.78
WS2436	4.36	0.6	1.9	0.7874	1.85	1.87			0.627	1.88		
WS2443	4.44	1.13	1.68		1.5	1.63	0.627	1	0.627	1.56		
WS2460	4.61	0.96	2.02		1.5	1.63			0.627	1.7		
WS2468-2	4.69	1.05	2.01		1.5	1.63			0.627	1.89		
WS2485	4.85	1	1.6	0.6267	1.18	2.25						
WS2503	5.04	0.91	1.88	0.6267	1.18	2.25						
WS2509	5.1	1.3	1.68		1.5	2.13	0.669	1.2	0.669	1.58		
WS2511	5.12	1.26	1.99	1.181	2.17	1.86			0.591	1.88		
WS3385-7	3.86	0.67	1.66	0.6267	1.18	1.53						
WS6315-1	3.15	0.56	1.28	0.5	0.94	1.31						
WS6315-2	3.15	0.62	1.47	0.6267	1.18	1.06						
WS6332	3.33	0.81	1.46	0.4759	0.94	1.06						
WS6332-1	3.33	0.68	1.59	0.6267	1.18	1.06						
WS6354	3.54	1.47	0.54	0.4744	1.02	1.54						
WS6364-4	3.64	1.47	0.64	0.4744	1.02	1.54						
WS6401-3	4.02	0.55	1.84	0.7485	1.5	1.63			0.627	1.76	0.514	0.78
WS6443	4.44	1.13	1.68	0.7485	1.5	1.63	0.629	1	0.629	1.56		
WS6468-2	4.69	1.05	2.01	0.7485	1.5	1.63			0.629	1.89		
WS6475B	4.75	1.32	1.81	0.7485	1.5	1.63	0.627	0.63	0.629	1.71		
WS2262	2.62	0.33	1.23	0.6267	1.18	1.06	0.513	0.26	0.474	1.19		
WS2263	2.59	0.98	0.08	0.6267	1.18	1.53						

WS Series --Double Row Ball Type



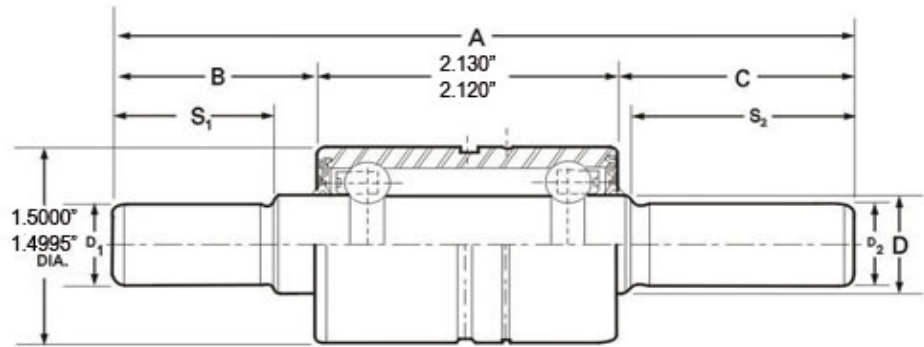
Code	A	B	C	D	K	L	D ₁	S ₁	D ₂	S ₂	D ₂₂	S ₂₂
WS2279	2.8	0.37	1.36	0.6267	1.18	1.06			0.474	1.28		
WS2307	3.07	0.53	1.48	0.4739	0.94	1.06						
WS2311	3.11	0.54	1.52	0.6267	1.18	1.06						
WS2315-1	3.15	0.56	1.28	0.5	0.94	1.31						
WS2315-2	3.15	0.62	1.47	0.6267	1.18	1.06						
WS2325	3.26	0.63	1.31	0.4739	0.94	1.31						
WS2332-1	3.33	0.68	1.59	0.6267	1.18	1.06						
WS2333	3.33	0.68	1.59	0.6267	1.18	1.06				1.49		
WS2334-6	3.35	0.67	1.61	0.6267	1.18	1.06	0.591	0.56	0.474	1.38		
WS2340-2	3.41	0.53	1.34	0.6267	1.18	1.53			0.474	1.25		
WS2344-1	3.44	0.53	1.5	0.5906	1.18	1.42						
WS2344-4	3.44	0.53	1.5	0.5906	1.18	1.42			0.474	1.35		
WS2344-6	3.44	0.53	1.5	0.6267	1.18	1.42			0.474	1.35		
WS2345	3.46	0.7	1.69	0.6267	1.18	1.06						
WS2349	3.49	0.76	1.32	0.6267	1.18	1.42						
WS2351	3.51	0.82	1.63	0.6267	1.18	1.06			0.474	1.5		
WS2357-2	3.57	0.55	1.49	0.6693	1.42	1.53			0.591	1.34		
WS2358-1	3.58	0.67	1.5	0.6267	1.18	1.41	0.591	0.57	0.474	1.35		
WS2362	3.62	0.67	1.38	0.4739	1.02	1.57						
WS2372	3.72	0.85	1.34	0.4739	1.02	1.53						
WS2377-2	3.78	0.67	1.65	0.7874	1.42	1.46	0.627	0.67	0.627	1.64		
WS2383	3.84	0.9	1.41	0.5906	1.18	1.53						
WS2385-7	3.86	0.67	1.66	0.6267	1.18	1.53						

WK Series --Double Row Ball Type



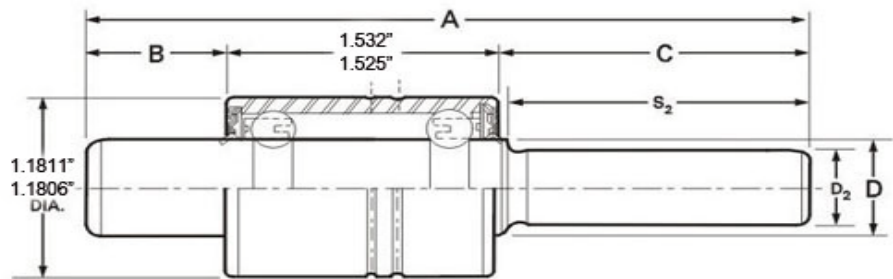
Code	A	B	C	D	D ₁	S ₁	D ₂	S ₂
WK2461	4.62	0.53	1.96	0.7465			0.6267	1.86
WK2474-2	4.74	1.02	1.6	0.7465			0.6267	1.5
WK2484-1	4.85	1.22	1.5	0.7465	0.6267	0.55	0.6267	1.3
WK2493	4.93	1	1.8	0.7465			0.6267	1.65
WK2494-1	4.94	1.04	1.78	0.7465	0.6267	0.9	0.6267	1.6
WK2495	4.95	1.21	1.61	0.7465	0.6267	1.08	0.6267	1.47
WK2500-2	5	1.23	1.64	0.7465			0.6267	1.5
WK2500A	5	1.05	1.83	0.7465	0.6267	0.35	0.6267	1.72
WK2501	5.01	1.15	1.74	0.7465			0.6267	1.58
WK2501-3	5.02	1.22	1.67	0.7465	0.6267	0.54	0.6267	1.55
WK2520	5.2	1.17	1.9	0.7465	0.6267	0.47	0.6267	1.7
WK2528-2	5.28	1.19	1.96	0.7465			0.6267	1.86
WK2531	5.31	1.47	1.71	0.7465			0.6267	1.61
WK2531-2	5.31	1.47	1.72	0.7465	0.6267	0.67	0.6267	1.62
WK2534	5.34	1.25	1.96	0.7465			0.6267	1.86
WK2537-1	5.37	1.43	1.82	0.7465	0.6267	0.49	0.6267	1.71
WK2538-2	5.38	1.59	1.67	0.7465	0.6267	0.56	0.6267	1.55
WK2550	5.5	1.4	1.97	0.7465	0.6267	0.61	0.6267	1.88
WK2553	5.53	1.29	2.11	0.7465	0.6267	0.54	0.6267	1.99
WK2559-2	5.59	1.25	2.21	0.7465			0.6267	2.04
WK2560	5.61	1.55	1.93	0.7465	0.6267	1.41	0.6267	1.79
WK2564-6	5.65	1.21	2.31	0.7465	0.6267	0.48	0.6267	1.99
WK2575	5.75	1.75	1.88	0.7465			0.6267	1.73
WK2575-1	5.75	1.43	2.19	0.7465	0.6267	0.54	0.6267	1.99
WK2575-4	5.75	1.43	2.19	0.7465	0.6267	1.2	0.6267	2.02

WK Series --Double Row Ball Type



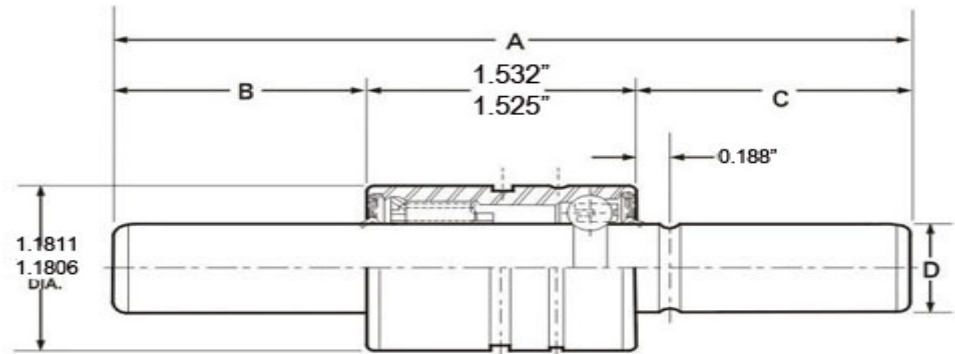
Code	A	B	C	D	D ₁	S ₁	D ₂	S ₂
WK2586	5.86	1.62	2.12	0.7465	0.6267	1.93	0.6267	1.95
WK2587	5.87	2.1	1.64	0.7465			0.6267	1.5
WK2587-1	5.87	2.1	1.64	0.7465			0.6267	1.5
WK2592	5.93	1.38	2.42	0.7465			0.6267	2.3
WK2596	5.96	1.21	2.62	0.7465	0.6267	0.48	0.6267	2.11
WK2596-1	5.96	1.22	2.61	0.7465	0.6267	0.48	0.6267	2.18
WK2600	6	1.4	2.47	0.7465	0.6267	0.6	0.6267	2.38
WK2602-2	6.02	1.82	2.07	0.7465	0.6267	1.12	0.6267	1.7
WK2604	6.04	1.8	2.11	0.7465			0.6267	1.97
WK2607A	6.07	1.17	2.78	0.7465	0.6267	0.35	0.6267	2.25
WK2616-2	6.17	1.56	2.48	0.7465			0.6267	2.35
WK2623	6.23	1.7	2.4	0.7465	0.6267	0.56	0.6267	2.23
WK2634-1	6.34	1.84	2.37	0.7465	0.6267	1.31	0.6267	2.2
WK2637	6.38	1.4	2.85	0.7465	0.6267	0.6	0.6267	2.76
WK6474-2	4.74	1.02	1.6	0.7485			0.6267	1.54
WK6474-2D	4.74	1.02	1.6	0.7485			0.6267	1.54
WK6484-1	4.85	1.22	1.5	0.7485	0.6267	0.55	0.6267	1.3
WK6493	4.93	1	1.8	0.7485			0.6267	1.65
WK6495	4.95	1.22	1.61	0.7485	0.6267	1.08	0.6267	1.47
WK6500-2	5	1.24	1.64	0.7485			0.6267	1.5
WK6500B	5	1.05	1.83	0.7485	0.6267	0.35	0.6267	1.72
WK6501-3B	5.02	1.22	1.67	0.7485	0.6267	0.54	0.6267	1.55
WK6520B	5.2	1.17	1.9	0.7485	0.6267	0.47	0.6267	1.7
WK6530B	5.3	1.25	1.93	0.7485	0.6267	0.28	0.6267	1.74
WK6531	5.31	1.47	1.71	0.7485			0.6267	1.61

W...S Series --Double Row Ball Type



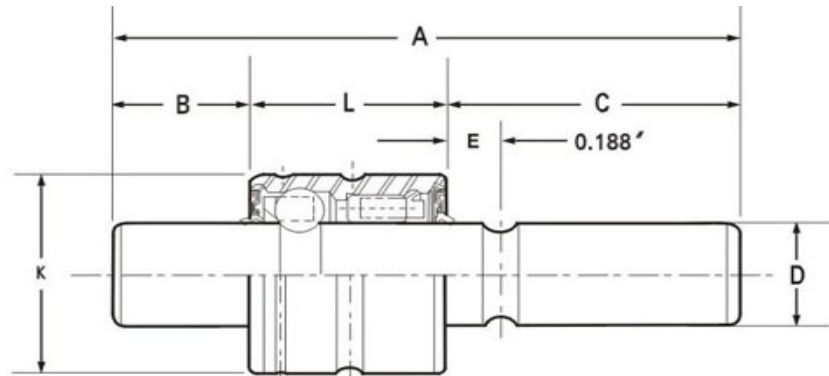
Code	A	B	C	D	D1	S1	D2	S2
W2434S	3.35	0.51	1.3	0.6267			0.4739	1.18
W2346-1S	3.47	0.49	1.45	0.6267			0.4739	1.33
W2346-2S	3.47	0.56	1.38	0.6267			0.4739	1.28
W2355S	3.55	0.61	1.41	0.6267			0.4739	1.33
W2364S	3.64	0.99	1.12	0.6267			0.4739	1.02
W2387S	3.88	0.89	1.46	0.6267			0.4739	1.32
W2391S	3.92	0.65	1.74	0.6267	0.4739	0.58	0.4739	1.63
W2394S	3.95	0.84	1.58	0.6267			0.4739	1.44
W2397S	3.98	0.98	1.46	0.6267			0.4739	1.36
W2404S	4.04	0.88	1.63	0.6267			0.4739	1.5
W2417S	4.17	1.18	1.46	0.6267			0.4739	1.32
W2418-3S	4.18	0.73	1.92	0.6267			0.4739	1.61
W2420-1S	4.2	0.81	1.87	0.6267			0.4739	1.69
W2431-2S	4.31	0.99	1.79	0.6267			0.4739	1.66
W2453-1S	4.54	0.65	2.35	0.6267			0.4739	1.44
W2488S	4.88	1.65	1.7	0.6267			0.4739	1.56
W3399-2S	4	0.69	1.78	0.6275			0.4739	1.7
W6334S	3.35	1.3	0.51	0.629			0.4744	1.18
W6387S	3.88	0.89	1.46	0.629			0.4744	1.33
W6397-3S	3.98	0.98	1.46	0.629			0.4744	1.36
W6407-1S	4.07	0.85	1.7	0.629	0.4739	0.71	0.4744	1.56
W6407-2S	4.08	0.77	1.77	0.629			0.4744	1.65
W6415-1S	4.15	0.93	1.7	0.629			0.4744	1.57
W6418S	4.18	0.99	1.66	0.629			0.4744	1.53
W6440-5S	4.41	1.18	1.7	0.629			0.4744	1.56
W6452-1S	4.53	2.35	0.65	0.629	0.4739	2.16	0.4744	
W6488S	4.88	1.65	1.7	0.629			0.4744	1.56
W7399-2S	4	0.69	1.78	0.6295			0.4759	1.7

WN Series --Ball and Roller Type



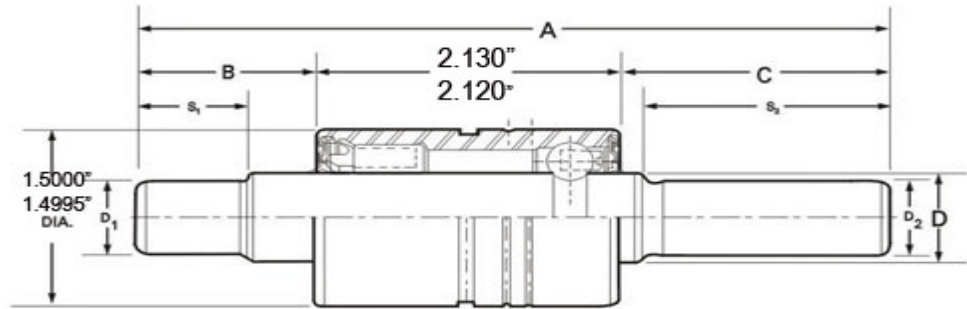
Code	A	B	C	D
WN2269	2.69	0.99	0.18	0.6267
WN2366-4	3.66	0.73	1.4	0.6267
WN2375-3	3.76	0.56	1.67	0.6267
WN2401-5	4.02	0.67	1.82	0.6267
WN2410	4.1	1.03	1.54	0.6267
WN2415-1	4.15	0.8	1.82	0.6267
WN2434	4.35	0.84	1.97	0.6267
WN2447	4.48	1.42	1.52	0.6267
WN2448-1	4.49	0.75	2.21	0.6267
WN2450-2	4.5	1.26	1.71	0.6267
WN2454	4.55	0.81	2.21	0.6267
WN2456-1	4.56	1.1	1.93	0.6267
WN2462-1	4.62	1.34	1.75	0.6267
WN2468-2	4.69	0.71	2.44	0.6267
WN2475	4.75	1.1	2.12	0.6267
WN2476	4.76	1.16	2.07	0.6267
WN2497	4.97	1.45	1.99	0.6267
WN2547	5.47	0.91	3.03	0.6267
WN2548	5.49	1.38	2.58	0.6267
WN2548-1	5.49	1.63	2.33	0.6267
WN3399	4	0.69	1.78	0.6275
WN3520-2	5.2	1.58	2.09	0.6275
WN3607	6.07	1.17	3.37	0.6275
WN3607-1	6.07	1.17	3.37	0.6275
WN6415-1	4.15	0.8	1.82	0.629

WNS Series --Ball and Roller Type



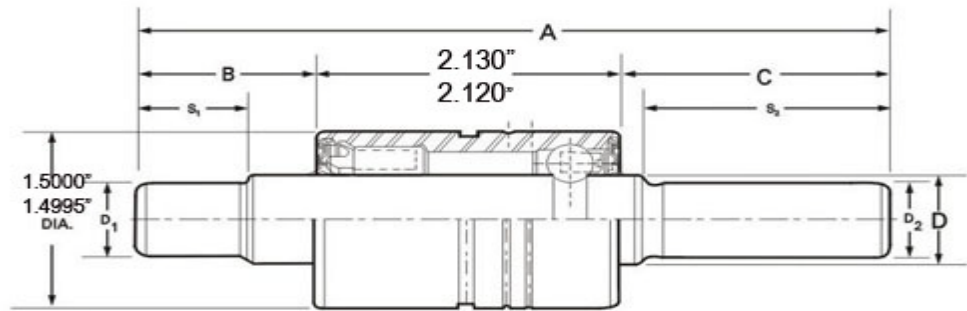
Code	A	B	C	D	K	L	D ₁	S ₁	D ₂	S ₂
WNS2299-2	2.99	0.64	1.29	0.6267	1.18	1.06			0.4739	1.21
WNS2325-1	3.25	0.72	1.47	0.6267	1.18	1.06				
WNS2332	3.33	0.81	1.46	0.4733	0.94	1.06				
WNS2335	3.35	0.56	1.73	0.6267	1.18	1.06			0.4739	1.63
WS2337-1	3.38	0.57	1.63	0.6267	1.18	1.18			0.4739	1.55
WNS2340	3.41	0.53	1.34	0.6267	1.18	1.53			0.4739	1.25
WNS2344-2	3.44	0.65	1.38	0.5906	1.18	1.42				
WNS2344-6	3.44	0.53	1.5	0.6267	1.18	1.42			0.4739	1.35
WNS2348-5	3.48	0.76	1.66	0.6267	1.18	1.06			0.4739	1.56
WNS2353	3.53	0.65	1.64	0.6267	1.18	1.24			0.4739	1.56
WNS2354-2	3.54	0.71	1.3	0.5906	1.18	1.53			0.4739	1.22
WNS2360-1	3.6	0.52	1.35	0.6267	1.18	1.73			0.4739	1.25
WNS2411	4.11	1.03	1.56	0.5906	1.18	1.53			0.4739	1.44
WNS2417	4.17	1.09	1.56	0.5906	1.18	1.53			0.4739	1.44
WNS2426	4.26	0.73	2.01	0.6267	1.18	1.53			0.4739	1.93
WNS2430-2	4.3	0.7	1.56	0.5906	1.18	2.05				
WNS2466	4.67	1.06	1.56	0.5906	1.18	2.05			0.4739	1.44
WNS2482	4.82	1.14	1.63	0.7874	1.42	2.05	0.591	1.13	0.4739	1.44
WNS2493	4.93	0.7	2.19	0.5906	1.18	2.05				
WNS2500	5	0.98	1.65	1	2.17	2.36			0.6267	1.61
WNS2500-1	5	0.98	1.65	1	2.17	2.36			0.5906	1.61
WNS2514	5.15	1.3	1.8	0.7874	1.42	2.05	0.591	1.29	0.5906	1.68
WNS2535-1	5.36	0.93	2.31	1	1.88	2.13	0.747	0.82	0.6267	2.11
WNS2616-6	6.17	1.39	2.41	1	2.17	2.36	0.747	0.5	0.6267	2.28
WNS6299-2	2.99	0.64	1.29	0.6267	1.18	1.06			0.4759	1.21

WKN Series --Ball and Roller Type



Code	A	B	C	D	D ₁	S ₁	D ₂	S ₂
WKN2357	3.58	1.31	0.14	0.7465				
WKN2452-1	4.52	1.37	1.02	0.7465				
WKN2454D	4.54	0.92	1.49	0.7465			0.4739	1.41
WKN2460D	4.6	1.06	1.41	0.7465	0.6267	0.35	0.4739	1.33
WKN2474-2	4.74	1.02	1.6	0.7465			0.6267	1.54
WKN2480	4.8	0.94	1.74	0.7465			0.6267	1.58
WKN2493	4.94	1.14	1.67	0.7465			0.6267	1.54
WKN2501	5.01	1.15	1.74	0.7465			0.6267	1.58
WKN2502	5.02	1.1	1.79	0.7465			0.6267	1.69
WKN2524	5.25	1.28	1.84	0.7465			0.6267	1.73
WKN2524D	5.25	1.28	1.84	0.7465			0.6267	1.73
WKN2530	5.3	1.25	1.93	0.7465	0.6267	0.28	0.6267	1.76
WKN2531	5.31	1.47	1.71	0.7465			0.6267	1.61
WKN2531-3	5.31	1.18	2	0.7465			0.6267	1.9
WKN2531-8D	5.31	1.19	2	0.7465			0.4739	1.9
WKN2531-9D	5.31	1.47	1.71	0.7465			0.4739	1.61
WKN2534	5.34	1.26	1.96	0.7465			0.6267	1.86
WKN2541-1	5.41	1.21	1.56	0.7465	0.6267	0.48	0.6267	1.56
WKN2544-2	5.44	1.41	1.91	0.7465			0.6267	1.45
WKN2558-2	5.58	1.45	2.01	0.7465			0.6267	1.84
WKN2564-6	5.65	1.21	2.31	0.7465	0.6267	0.48	0.6267	1.99
WKN2575-1	5.75	1.43	2.19	0.7465	0.6267	0.54	0.6267	2.02
WKN2575-4	5.75	1.43	2.19	0.7465	0.6267	1.2	0.6267	2.02
WKN2588	5.88	1.45	2.3	0.7465			0.6267	2.14
WKN2592	5.93	1.38	2.42	0.7465			0.6267	2.42
WKN2592-2	5.93	1.38	2.42	0.7465	0.6267	0.51	0.6267	2.3

WKN Series --Ball and Roller Type



Code	A	B	C	D	D ₁	S ₁	D ₂	S ₂
WKN2596-1	5.96	1.22	2.61	0.7465	0.6267	0.48	0.6267	2.18
WKN2602-2	6.02	1.82	2.07	0.7465	0.6267	1.14	0.6267	1.7
WKN2604	6.04	1.8	2.11	0.7465			0.6267	1.98
WKN2616	6.16	1.56	2.48	0.7465			0.6267	2.36
WKN2622	6.22	1.84	2.25	0.7465	0.6267	0.58	0.6267	2.08
WKN2622-1D	6.22	1.84	2.26	0.7465	0.6267	0.58	0.6267	2.08
WKN2623	6.23	1.7	2.4	0.7465	0.6267	0.56	0.6267	2.23
WKN2624	6.25	1.38	2.74	0.7465	0.6267	0.51	0.6267	2.44
WKN2631	6.32	1.75	2.44	0.7465			0.6267	2.32
WKN2634-1	6.34	1.84	2.37	0.7465	0.6267	1.31	0.6267	2.2
WKN2688	6.88	2.11	2.65	0.7465	0.6267	0.56	0.6267	2.51
WKN2688-1	6.88	1.38	3.38	0.7465	0.6267	0.56	0.6267	3.2
WKN2688-3D	6.88	1.38	3.38	0.7465	0.6267	0.56	0.4739	2.36
WKN2688-7D	6.88	2.07	2.69	0.7465			0.4739	1.69
WKN6454D	4.54	0.92	1.49	0.7485			0.4759	1.41
WKN6474-2	4.74	1.02	1.6	0.7485			0.629	1.54
WKN6534	5.34	1.26	1.96	0.7485			0.629	1.86
WKN6560-2B	5.61	1.32	2.16	0.7485	0.6267	0.6	0.629	1.99
WKN6575-1B	5.75	1.43	2.19	0.7485	0.6267	0.54	0.629	2.02
WKN6292-2B	5.93	1.38	2.42	0.7485	0.6267	0.51	0.629	2.3
WKN6596B	5.96	1.21	2.62	0.7485	0.6267	0.48	0.629	2.11
WKN6623B	6.23	1.7	2.4	0.7485	0.6267	0.56	0.629	2.23
WKN6634-1	6.34	1.84	2.37	0.7485	0.6267	1.32	0.629	2.2